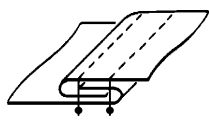


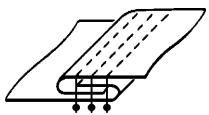


56500R
56900P
56900R

High speed two- and three-needle flatbed machines for double and triple stitch lap seaming operations on a wide variety of medium to heavy weight materials.



LSc-2



LSc-3

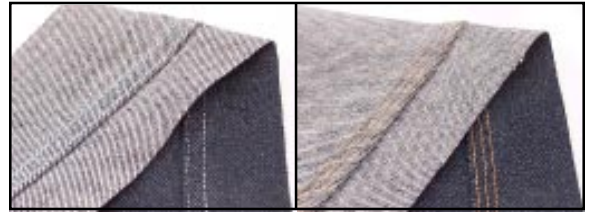


Combining speed and rugged reliability, these two- and three-needle flatbed machines are specifically designed for lap seaming operations on overalls, coveralls, jeans, service pants, industrial uniforms, work jackets, sport jackets, windbreakers and similar garments of medium to heavy weight materials.

STYLE 56500R
 STYLE 56900P
 STYLE 56900R



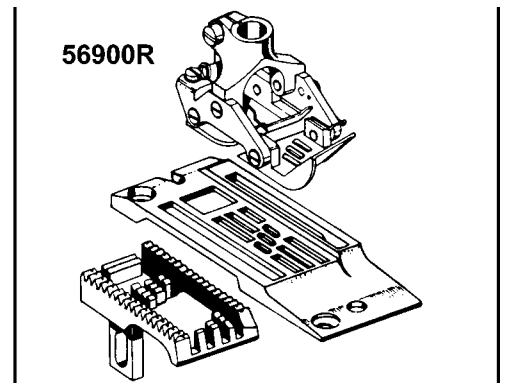
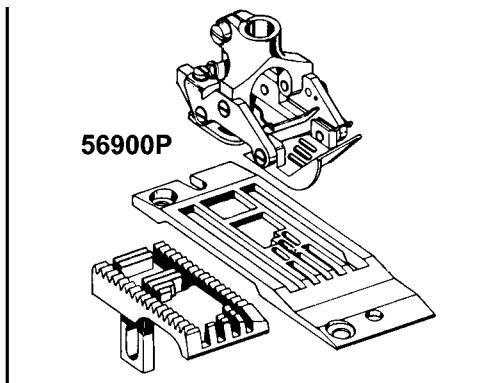
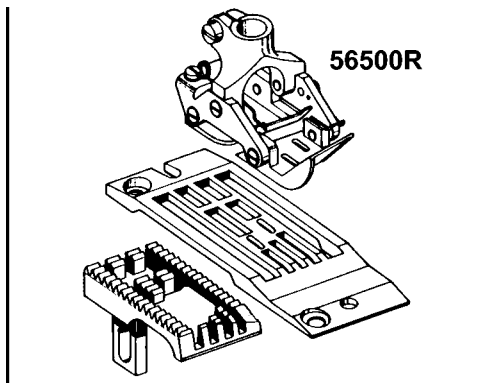
Two- and three-needle machines for true double lap seaming operations on overalls, jeans, jackets and similar garments of medium to heavy weight materials.



- FEATURES: • SPEEDS up to 6000SPM • HIGHEST QUALITY SEAMING • QUICK START and STOP
 • PERFECT STITCH FORMATION and EASY THREAD HANDLING
 • AUTOMATIC LUBRICATION for LONG LIFE and SMOOTH OPERATION

| MACHINE | FEATURES | APPLICATION | SEAM and STITCH TYPE | GAUGE | FABRIC WEIGHT and TYPE | STITCH LENGTH | MAX. SPEED* |
|----------------------|---|--|----------------------|-----------------------------------|-----------------------------------|---------------------------------|-------------|
| 56500R -16 -18 | Two-needle, four-thread , plain feed, high throw machine. With double lap seam folder, tractor type presser foot, and flat sewing parts designed for chaining between pieces. | For attaching risers to jeans, bibs to overalls, and piecing sleeves on denim jackets. | 401LSc-2 | 1/4" or 9/32" 6.4 or 7.2mm | Medium to heavy weight materials. | 7 to 14 SPI 2.3 to 3.6mm | 6000 SPM |
| 56900P -8 -9 | Three-needle, six-thread , plain feed, high throw machine. With double lap seam folder, tractor type presser foot, and flat sewing parts designed for chaining between pieces. | For attaching risers to jeans, bibs to overalls, and piecing sleeves on denim jackets. | 401LSc-3 | 1/8" or 9/64" 3.2 or 3.6mm | Medium to heavy weight materials. | 7 to 12 SPI 2.1 to 3.6mm | 6000 SPM |
| 56900R -8 -9 | Three-needle, six-thread , plain feed, high throw machine. With double lap seam folder, tractor type presser foot, and .070 stepped (1.75mm) sewing parts designed for chaining between | For seat seaming and similar operations on jeans, overalls and denim jackets. | 401LSc-3 | 1/8" or 9/64" 3.2 or 3.6mm | Medium to heavy weight materials. | 7 to 12 SPI 2.1 to 3.6mm | 6000 SPM |

* Depending on operation



Union Special LLC
 One Union Special Plaza
 Huntley, IL 60142
 www.unionspecial.com

Distributed by: