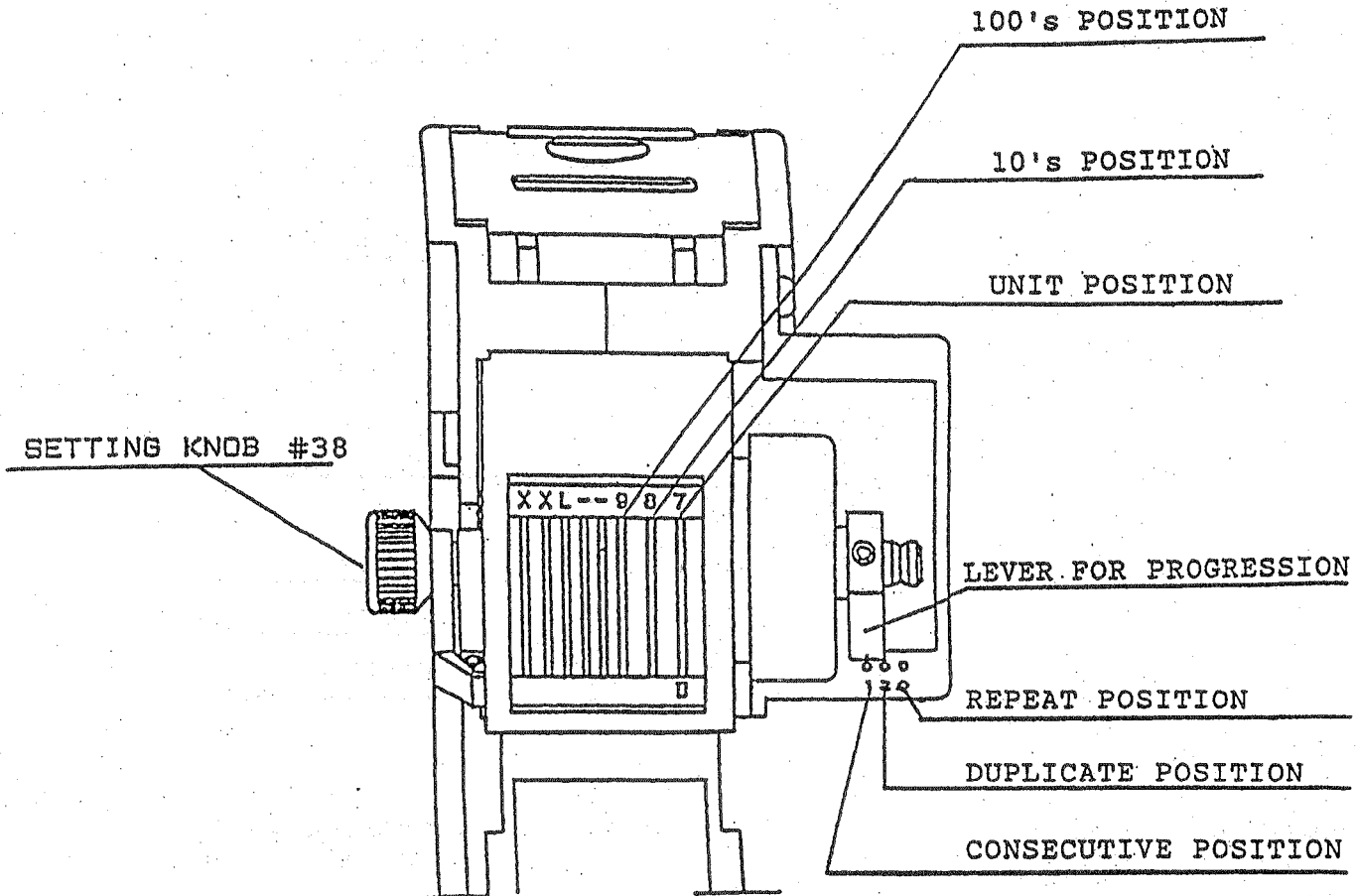


# Label Data

## Instructions on setting machine back to 001 or 01



1. Set the unit wheel to 1 by turning #38 setting knob clockwise until the smaller 1 appears in print head window.
2. Check by trying to turn #38 setting knob counter clockwise to 0. If unit wheel will not go back to 0, you are ready to continue. If unit wheel can be turned to 0, turn to 0, and turn #38 setting knob clockwise back to 1 until unit wheel is locked into correct position showing the number desired.
3. Pull #38 setting knob outward to 100 position and turn counter clockwise until small 0 appears in window of print head.
4. Push #38 setting knob in one notch to the 10's position and turn counter clockwise until the 0 appears in window.
5. Push #38 setting knob in to right as far as possible and you are ready to start numbering.

Tennessee  
Imports

A DIVISION OF DSI  
208 Bradshaw Pike Hopkinsville KY 42240  
Toll Free Phone 800-626-9200  
Fax 270-887-5078

# Label Data

## Maintenance Sheets

### CHANGING INKED ROLLERS

1. Pull #10 Protection Plate outward.
2. Hold #13 Ink Roller Holder with thumb and middle finger.
3. Insert special Key, provided, with handle pointed downward.
4. Push key inward to remove inked roller.
5. Place new inked roller in key provided.
6. Put tips of inked roller in slots in #13 inked roller.
7. Pull key outward to install ink roller into #13 holder.
8. Push #10 Protection Plate back in.

### CLEANING INSTRUCTIONS

Labelers should be cleaned on a weekly basis. Adhesive from the labels accumulates on all parts that contact the label. The following parts must be cleaned.

- #15 Tension Brake
- #03 Base Plate
- #17 Label Advancing Drum
- #14 Label advancing Drum Cover
- #04 Label Adjustment Roller
- #09 Applicator Roller
- #05 Label Release Guide

Use Label Data 2200 & 2600 Exploded  
View Diagram for Reference

The adhesive build up on the above parts can restrict the movement of the labels through the machine. When the adhesive builds up, it picks up lint and dirt which further retards the proper action of the machine.

We recommend the labelers be cleaned, using Varsol as a cleaning fluid. DO NOT SUBMERGE MACHINE IN CLEANING FLUID. Soak a rag or use a soft brush to clean the effected parts.

To clean label advancing drum #17, squeeze rear tabs of #14 Drum Cover and lift off #17 (Feed Drum). Clean with rag or small soft tooth brush.

Print head must be removed to clean print bands. First remove both #26 print case holding screws. Push Printhead forward, then lift upward to easily remove. Clean bands with soft tooth brush.  
DO NOT BLOW OUT DIRT AND LINT WITH AIR.

Machine does not have to be disassembled for these cleaning procedures.

Important: Never re-ink rollers. Discard old ink rollers and replace with new genuine DO7 rollers only!



Tennessee  
Imports

A DIVISION OF DSI  
208 Bradshaw Pike Hopkinsville KY 42240  
Toll Free Phone 800-626-9200  
Fax 270-887-5078

# Label Data

## Maintenance Sheet

### BRAKE ADJUSTMENT

1. Open #16B as far as possible.
2. Insert screwdriver thru hole in #16A label tray, into brass screw #23.
3. Turn #23 screw counter-clockwise to tighten brake or clockwise to loosen brake.
4. This adjustment may be needed if colored labels or different adhesives are used.
5. To check, use index finger and press label against base plate and move downward, label should be difficult to move.

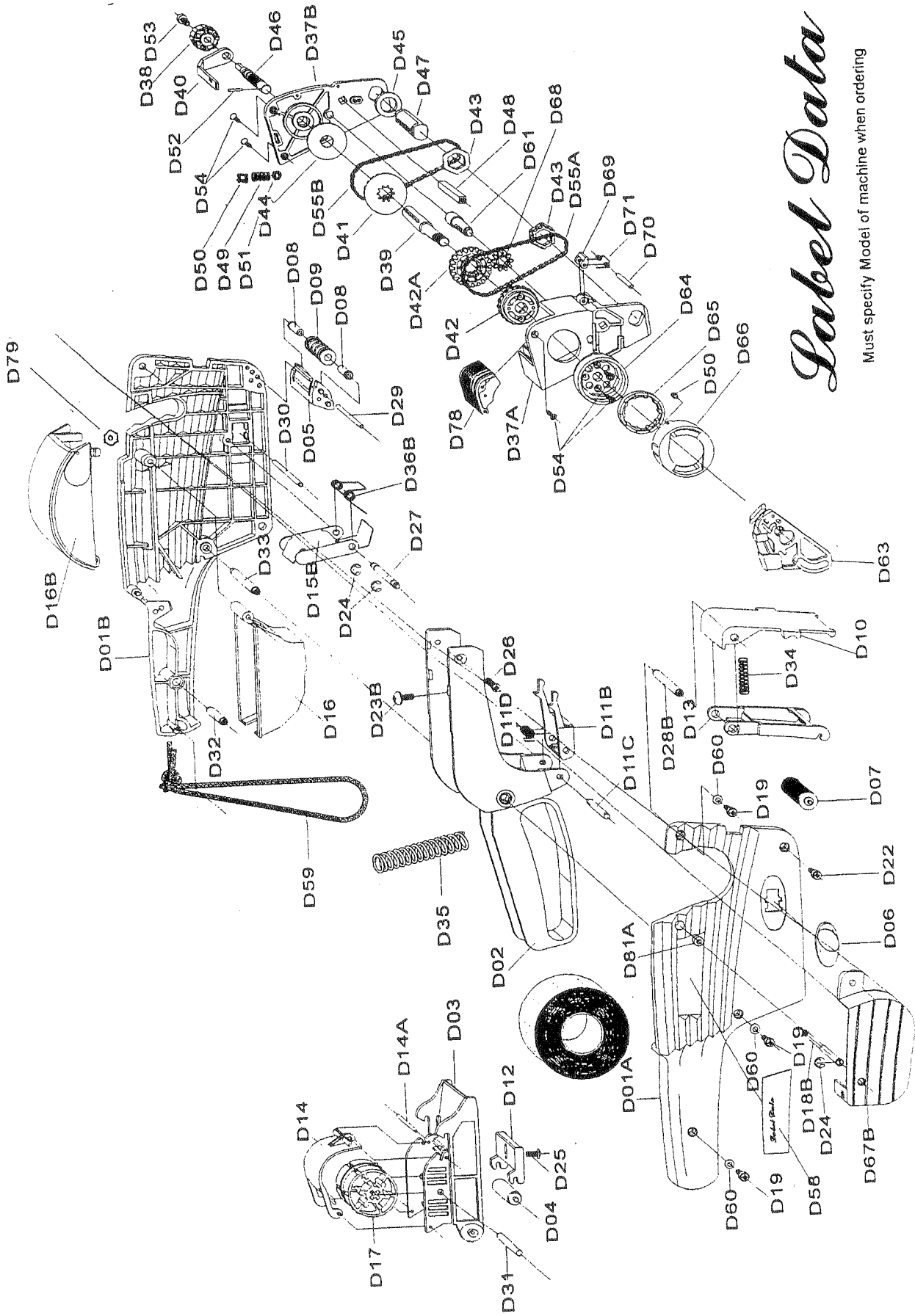
### CENTERING PRINT ON LABEL

1. Loosen #25 screw that holds #12 label adjustment plate.
2. Move #12 adjustment plate toward front of labeler to move print upward.
3. Move #12 adjustment plate toward rear of labeler to move print downward.
4. When labeler prints the numbers in the center of label, machine is adjusted correctly.



Tennessee  
Imports

A DIVISION OF DSI  
208 Bradshaw Pike Hopkinsville KY 42240  
Toll Free Phone 800-626-9200  
Fax 270-887-5078



# Label Data

Must specify Model of machine when ordering