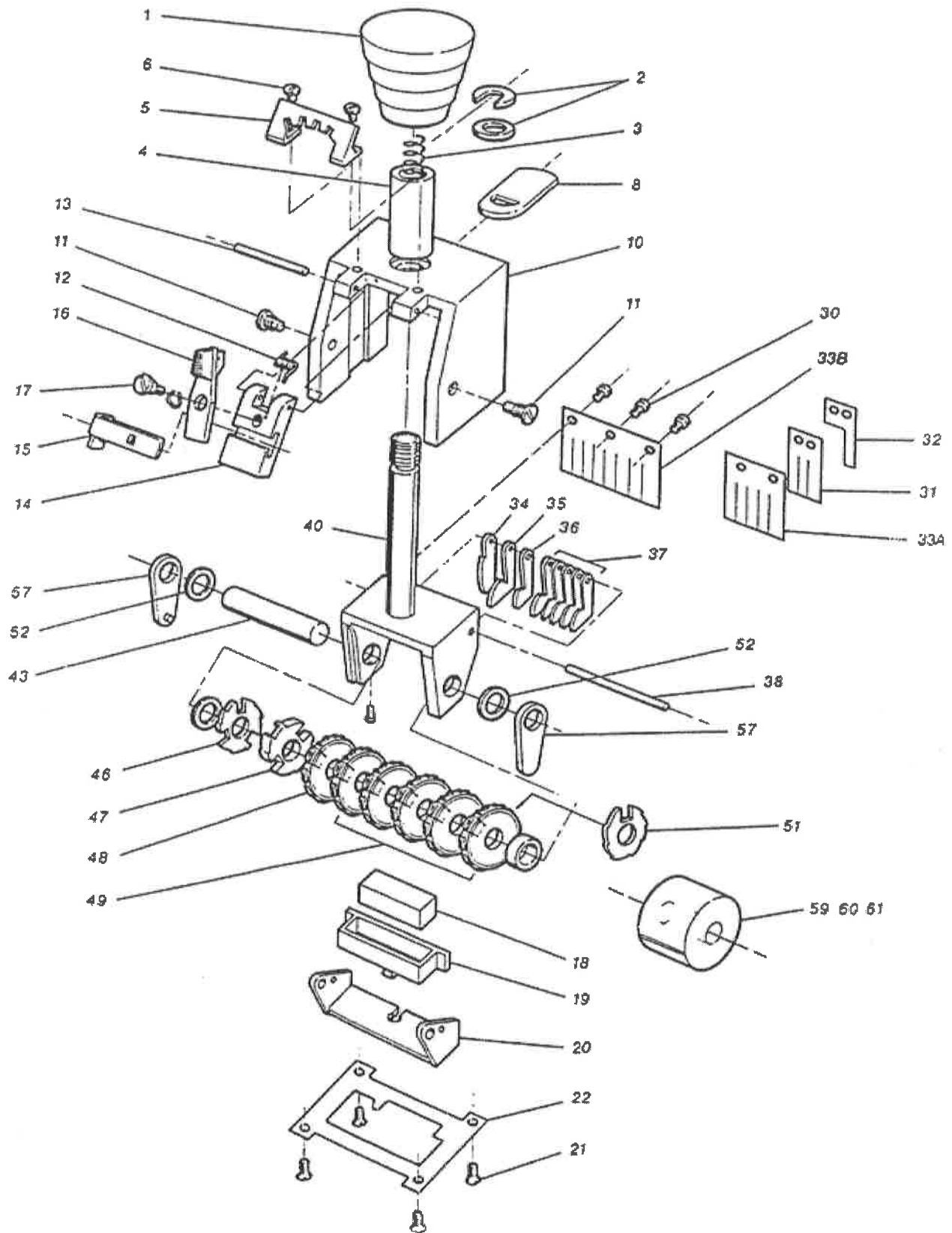


52L Numbering Machine



PART NUMBER	DESCRIPTION	
1	19010-790	HANDLE
2	19010-800	STOP NUT / STOP-BOLT WITH WASHER
3	19010-810	HANDLE SPRING
4	19010-820	SPRING TUBE
5	19011-037	ACTION SCALE BOARD
6	19011-038	SCREW FOR SCALE BOARD
8	19011-039	LOCK
10	19011-042	FRAME
11	19010-870	SCREW FOR INK PAD CASE HOLDER/ FOR SIDE ARM
11-A	19010-871	SCREW FOR INK PAD CASE HOLDER/ FOR SIDE ARM (NEW STYLE)
12	19010-880	SPRING FOR FRONT PAWL
13	19010-890	AXLE FOR FRONT PAWL
14-A	19011-043	FRONT PAWL FOR 3.5 & 4.5
14-B	19011-044	FRONT PAWL FOR 5.5 & 6.5 WIDE
14-C	19011-045	FRONT PAWL FOR 5.5 & 6.5 NARROW
15-A	19010-910	LOOSE PAWL WITH STUD
15-B	19011-047	LOOSE PAWL WITH HOLE
16-A	19010-920	INDICATOR - COMPLETE WITH SLOT
16-B	19011-048	INDICATOR - COMPLETE WITH STUD
17-A	19010-930	SCREW WITH WASHER - WHEN ORDERING #15-A AND #16-A
17-B	19011-049	SCREW FOR INDICATOR
18	19010-950	INKING PAD-OLD STYLE
18-A	19010-951	INKING PAD-NEW STYLE
19	19010-960	INKING PAD CASE - OLD STYLE
19-A	19010-965	INKING PAD CASE - NEW STYLE
20-A	19010-966	INKING PAD CASE HOLDER - NEW STYLE
21	19010-980	SCREW FOR LANE - MARKER / BASE PLATE
22	19010-990	UPPER LINE - MARKER / BASE PLATE
30	19011-010	SCREW FOR COMB. - SPRING
31	19011-020	COMB. - SPRING 3-FINGER FOR ALL SIZES
31-A	19013-124	COMB. - SPRING 3-FINGER FOR ALL SIZES - 7 WHEEL
32	19011-030	COMB. - SPRING 1-FINGER FOR ALL SIZES
32-A	19013-125	COMB. - SPRING 1-FINGER FOR ALL SIZES - 7 WHEEL
33-A	19011-041	COMB. - SPRING 5-FINGER FOR 3.5 AND 4.5 mm
33-B	19011-040	COMB. - SPRING 5-FINGER FOR 5.5 AND 6.5 mm
33-C	19011-051	COMB. - SPRING 8-FINGER FOR ALL SIZES
33-D	19011-052	COMB. - SPRING 9-FINGER FOR ALL SIZES
33-E	19011-140	COMB. - SPRING 6-FINGER FOR ALL SIZES
34	19011-053	BACK - PAWL 3 TIMES PAWL-DISC
35	19012-690	BACK - PAWL 2 AND 4 TIMES PAWL - DISC
36	19011-060	BACK - PAWL 1st WHEEL
37	19011-070	BACK - PAWL 2nd AND 6th WHEEL
38	19011-080	AXLE BACK - PAWLS
40	19011-090	WHEEL CASE (BOX) COMPLETE
43-A	19011-054	WHEEL AXLE - DROP ZERO
43-B	19011-055	WHEEL AXLE - DROP WHEEL
46	19011-056	PAWL - DISC - 3 TIMES
47	19011-120	PAWL - DISC - 2 AND 4 TIMES
48-A	19011-130	1st WHEEL 0-9 (3.5 ROMAN STYLE)
48-B	19011-057	1st WHEEL 0-9 (4.5 ROMAN STYLE)
48-C	19011-058	1st WHEEL 0-9 (5.5 ROMAN STYLE)
48-D	19011-059	1st WHEEL 0-9 (6.5 ROMAN STYLE)
48-E	19011-061	1st WHEEL 0-9 (3.5 GOTHIC STYLE)
48-F	19011-062	1st WHEEL 0-9 (4.5 GOTHIC STYLE)
48-G	19011-063	1st WHEEL 0-9 (5.5 GOTHIC STYLE)
48-H	19011-064	1st WHEEL 0-9 (6.5 GOTHIC STYLE)
49-A	19011-150	2nd TO 6th WHEEL (3.5 ROMAN STYLE)
49-B	19012-880	2nd TO 6th WHEEL (4.5 ROMAN STYLE) - DROP O
49-B-1	19012-881	2nd TO 6th WHEEL (4.5 ROMAN STYLE) - DROP WHEEL
49-C	19011-065	2nd TO 6th WHEEL (5.5 ROMAN STYLE)
49-D	19011-066	2nd TO 6th WHEEL (6.5 ROMAN STYLE)
49-E	19011-067	2nd TO 6th WHEEL (3.5 GOTHIC STYLE)
49-F	19011-068	2nd TO 6th WHEEL (4.5 GOTHIC STYLE)
49-G	19011-069	2nd TO 6th WHEEL (5.5 GOTHIC STYLE)
49-H	19011-071	2nd TO 6th WHEEL (6.5 GOTHIC STYLE)
51	19011-072	PAWL - DISC FOR WHEEL
52	19011-180	WASHER, THICKNESS .005mm
52-A	19011-073	WASHER, THICKNESS 0.1mm
52-B	19011-074	WASHER, THICKNESS 0.2mm
52-C	19011-076	WASHER, THICKNESS 0.3mm
52-D	19011-077	WASHER, THICKNESS 0.5mm
52-E	19011-078	WASHER, THICKNESS 4.0mm
52-F	19011-079	WASHER, THICKNESS 4.5mm
54	19010-201	SCREW FOR LIFTING GUIDE PAWL
57	19011-190	SIDE ARM
59	19011-210	SPACER 2 - WHEEL PLASTIC
60	19011-082	SPACER 3 - WHEEL PLASTIC
61	19011-083	SPACER 4 - WHEEL PLASTIC

* MUST INDICATE WIDTH OF PAWL: 21/32" or 23/32"