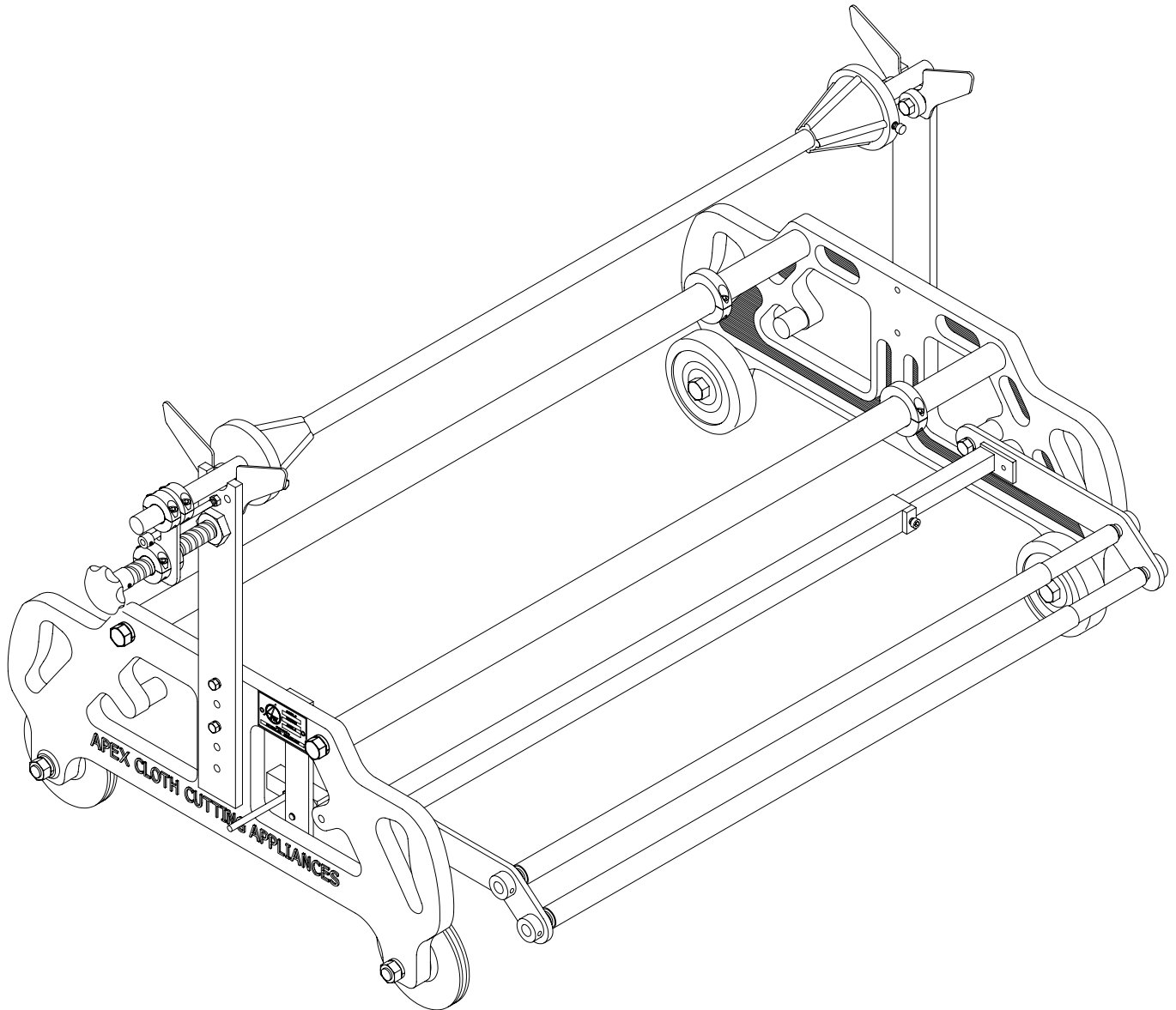


---

# PARTS BOOK

## AP-142E Expandable Spreader



APEX Spreading Equipment  
a division of C/SRE  
404 - 321 - 3607



Manufactured in the U.S.A. by:

# C/SRE

CUTTING SEWING ROOM EQUIPMENT COMPANY, INC.

1816 Briarwood Industrial Court, N.E., Atlanta, Georgia 30329

---

# AP-142E Expandable Spreader

## PARTS BOOK

### Table of Contents

Page	Description
2	Front upright and edge control
3	Rear upright and rear frame
4	Pawl assembly to front frame
5	Ratchet, square tubing and rollers
6	1-1/4 tube to front frame
7	1-1/8 tube to rear frame
8	Cloth bar and cones

### REPLACEMENT PARTS LIST

Item	Part No.	Description	Qty	Item	Part No.	Description	Qty
1	AP109X	Front Upright	1	16	AP118	Pawl Plate	1
2	AP9	Batwing	2	17	AP18F	Frame Front	1
3	AP11	Bearing	4	18	AP48	Track Wheel	2
4	AP100	Knob	1	19	APT33A	Ratchet	1
5	AP106X	Threaded Rod	1	20	APT33	Table Arm	2
6	AP110X	Collar, 3/4	4	21	AP43S	Sq Exp Tube	1
7	AP112X	Shaft Collar, 1/4	1	22	AP120	Collar, 1/2	4
8	AP107X	Shifter Plate	1	23	AP43	Tube Roller, 7/8	2
9	AP108X	Guide Shifter	1	24	AP32	Tube Roller, 3/4	2
10	AP13	Rear Upright	1	25	AP35	Tube, 1-1/4	2
11	AP18R	Frame Rear	1	26	AP82	Collar, 1-1/4	2
12	AP23	Rubber Wheel	2	27	AP28	Tube, 1-1/8	2
13	AP105	Collar, 3/8	2	28	AP4	Cloth Bar, 3/4	1
14	AP75A	Pawl Handle	1	29	AP3	Cloth Cone	2
15	AP75	Pawl	1				

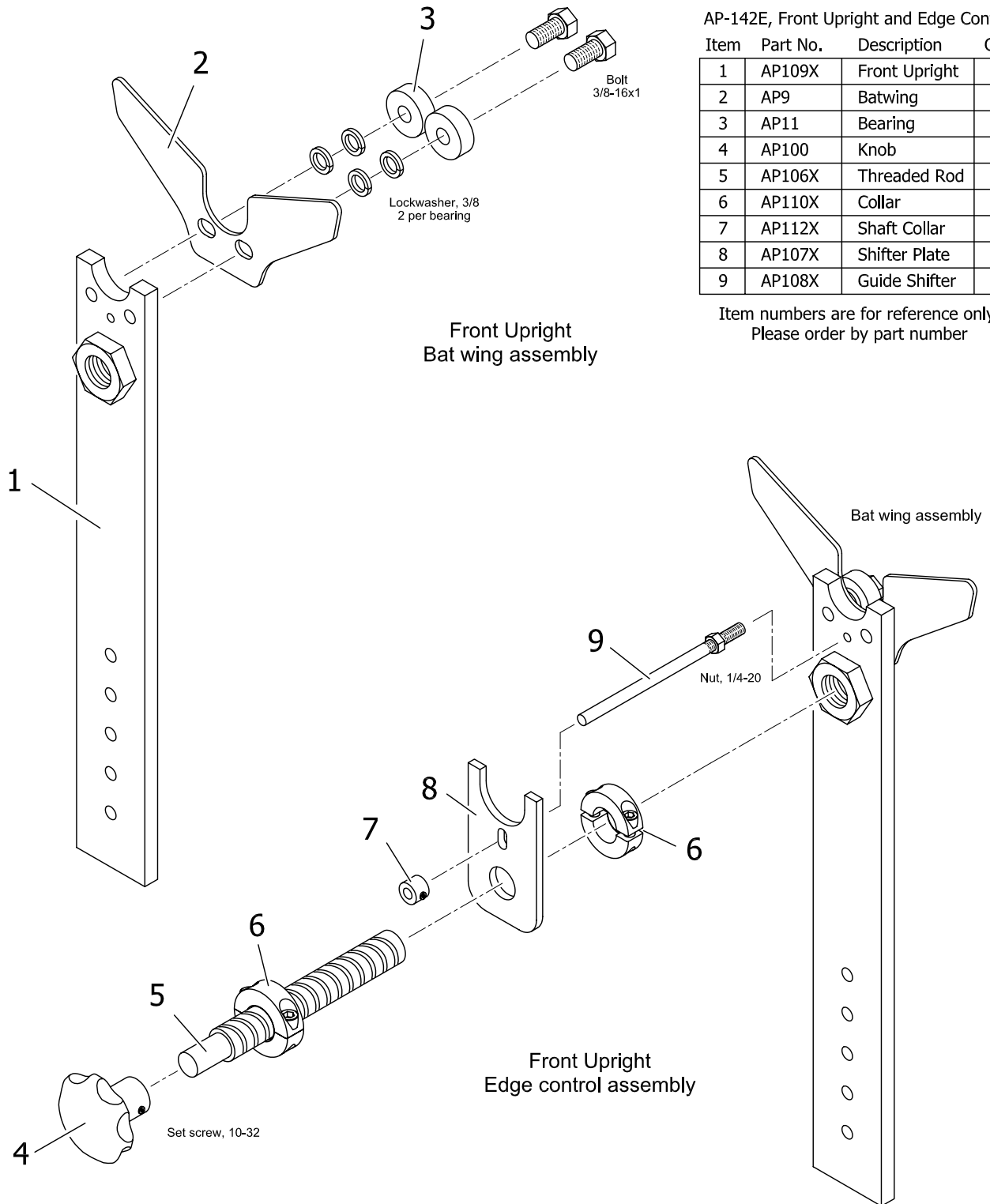
Item numbers are for reference only.  
Please order by part number  
Hardware shown for reference

### DISCLAIMER

Always wear approved safety gear when operating machinery  
Stay clear of moving parts while equipment is in motion  
Use caution when servicing equipment

Order by phone or fax  
(800) 241-4953 • (404) 321-3607 • Fax (404) 321-6143  
or online at [cutsew.com](http://cutsew.com)

# AP-142E Expandable Spreader

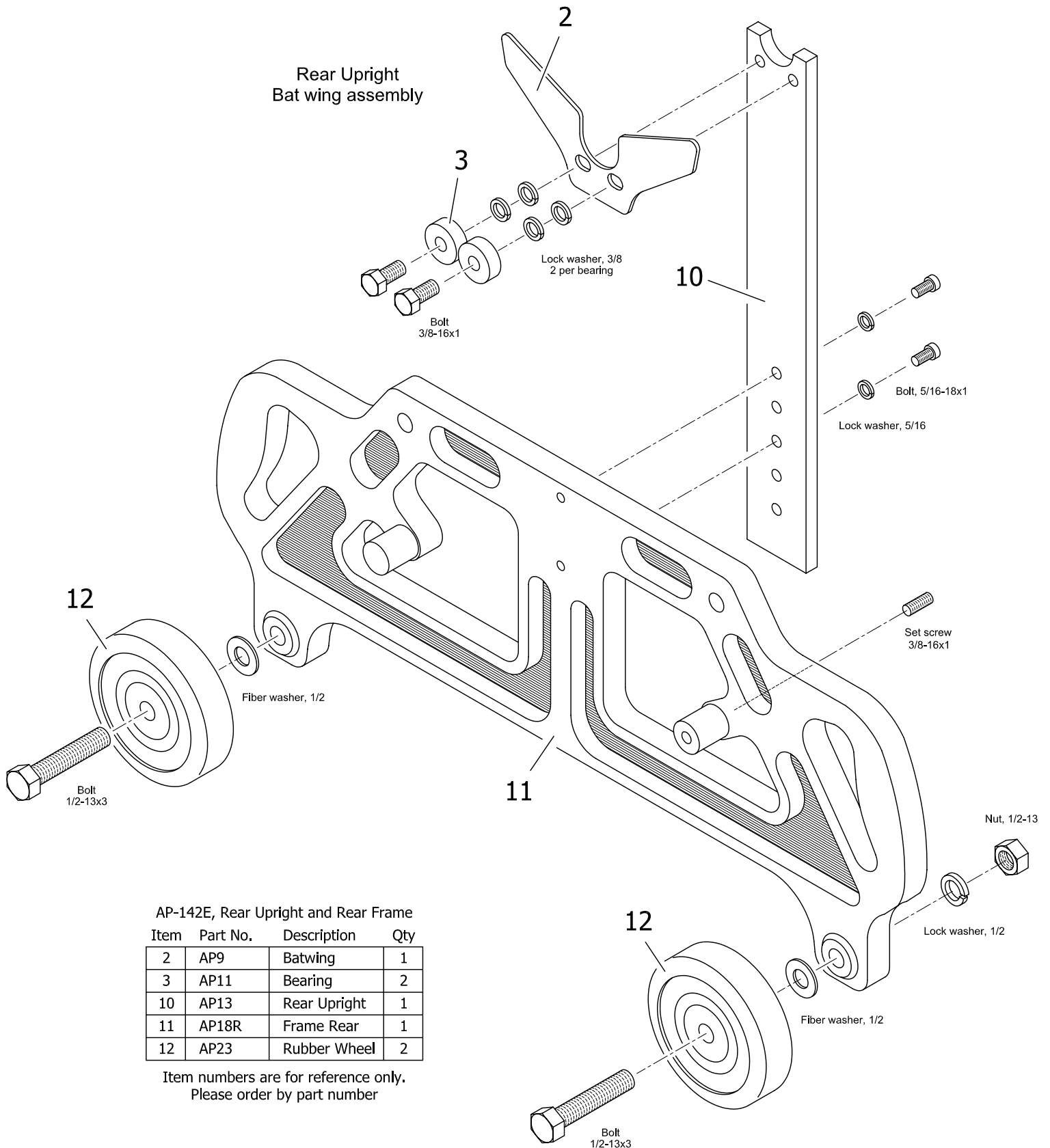


AP-142E, Front Upright and Edge Control

Item	Part No.	Description	Qty
1	AP109X	Front Upright	1
2	AP9	Batwing	1
3	AP11	Bearing	2
4	AP100	Knob	1
5	AP106X	Threaded Rod	1
6	AP110X	Collar	2
7	AP112X	Shaft Collar	1
8	AP107X	Shifter Plate	1
9	AP108X	Guide Shifter	1

Item numbers are for reference only.  
Please order by part number

# AP-142E Expandable Spreader

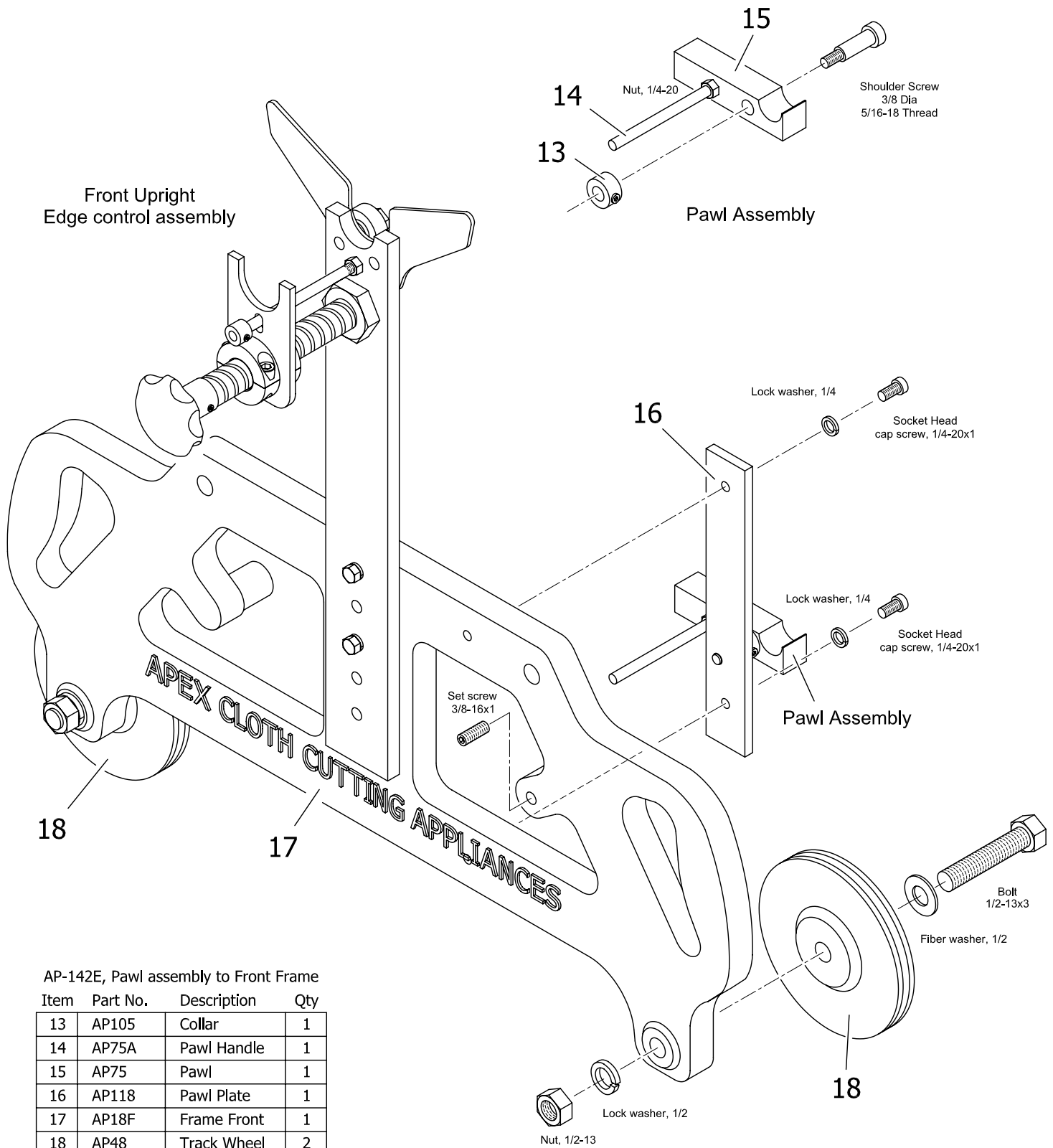


AP-142E, Rear Upright and Rear Frame

Item	Part No.	Description	Qty
2	AP9	Batwing	1
3	AP11	Bearing	2
10	AP13	Rear Upright	1
11	AP18R	Frame Rear	1
12	AP23	Rubber Wheel	2

Item numbers are for reference only.  
Please order by part number

# AP-142E Expandable Spreader

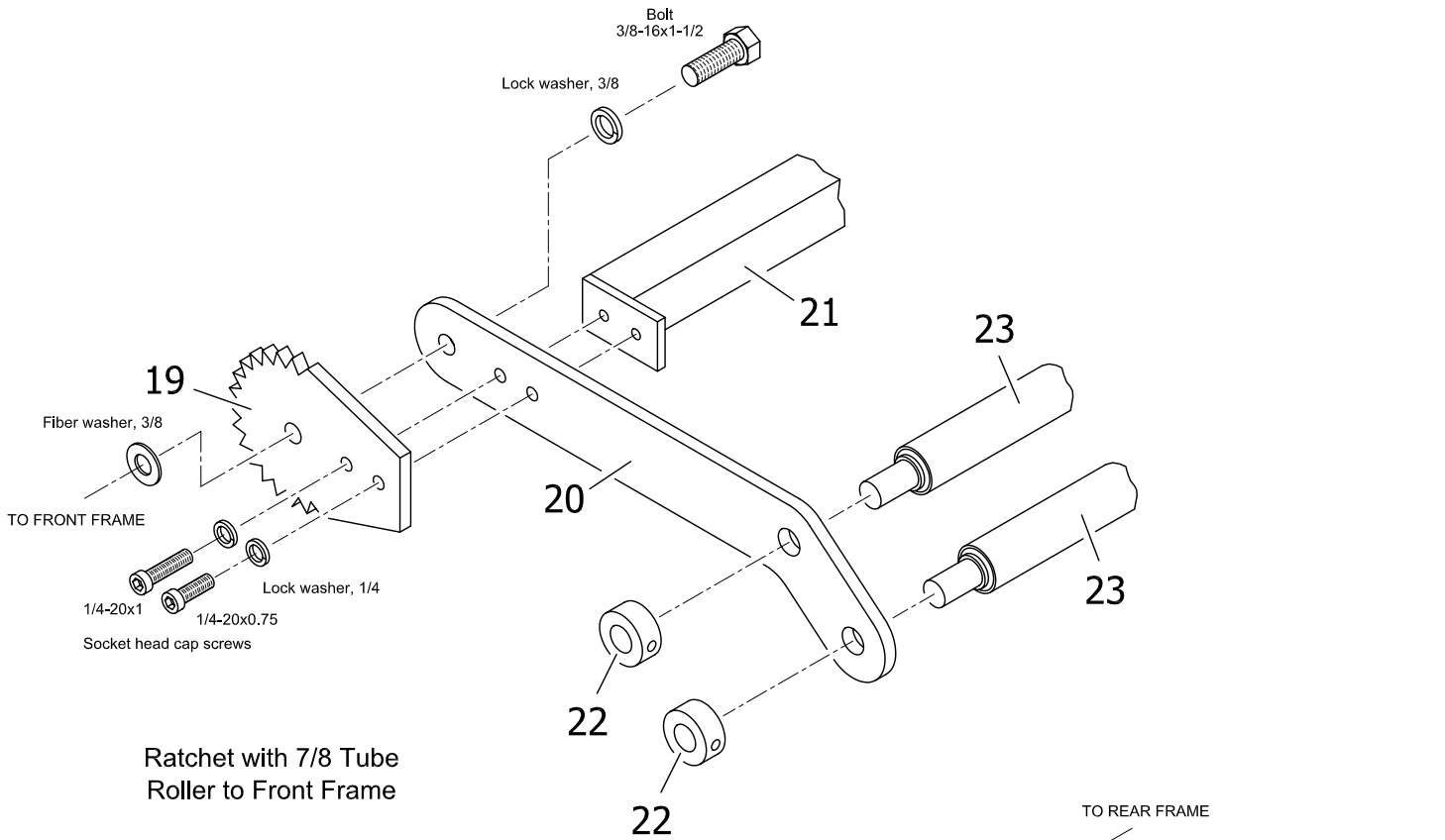


AP-142E, Pawl assembly to Front Frame

Item	Part No.	Description	Qty
13	AP105	Collar	1
14	AP75A	Pawl Handle	1
15	AP75	Pawl	1
16	AP118	Pawl Plate	1
17	AP18F	Frame Front	1
18	AP48	Track Wheel	2

Item numbers are for reference only.  
Please order by part number

# AP-142E Expandable Spreader



Ratchet with 7/8 Tube  
Roller to Front Frame

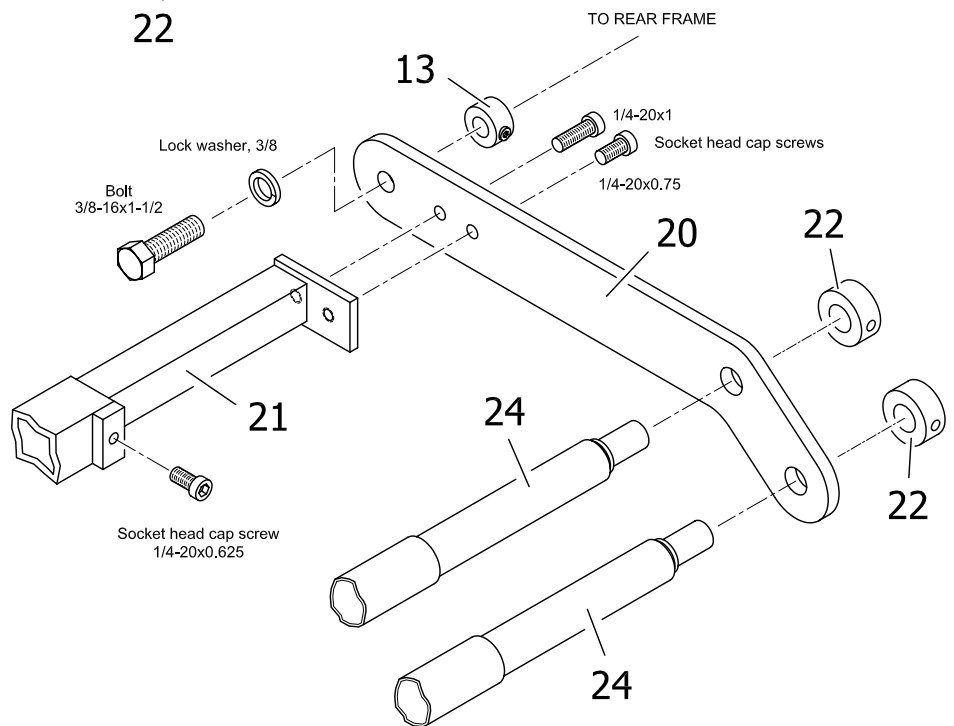


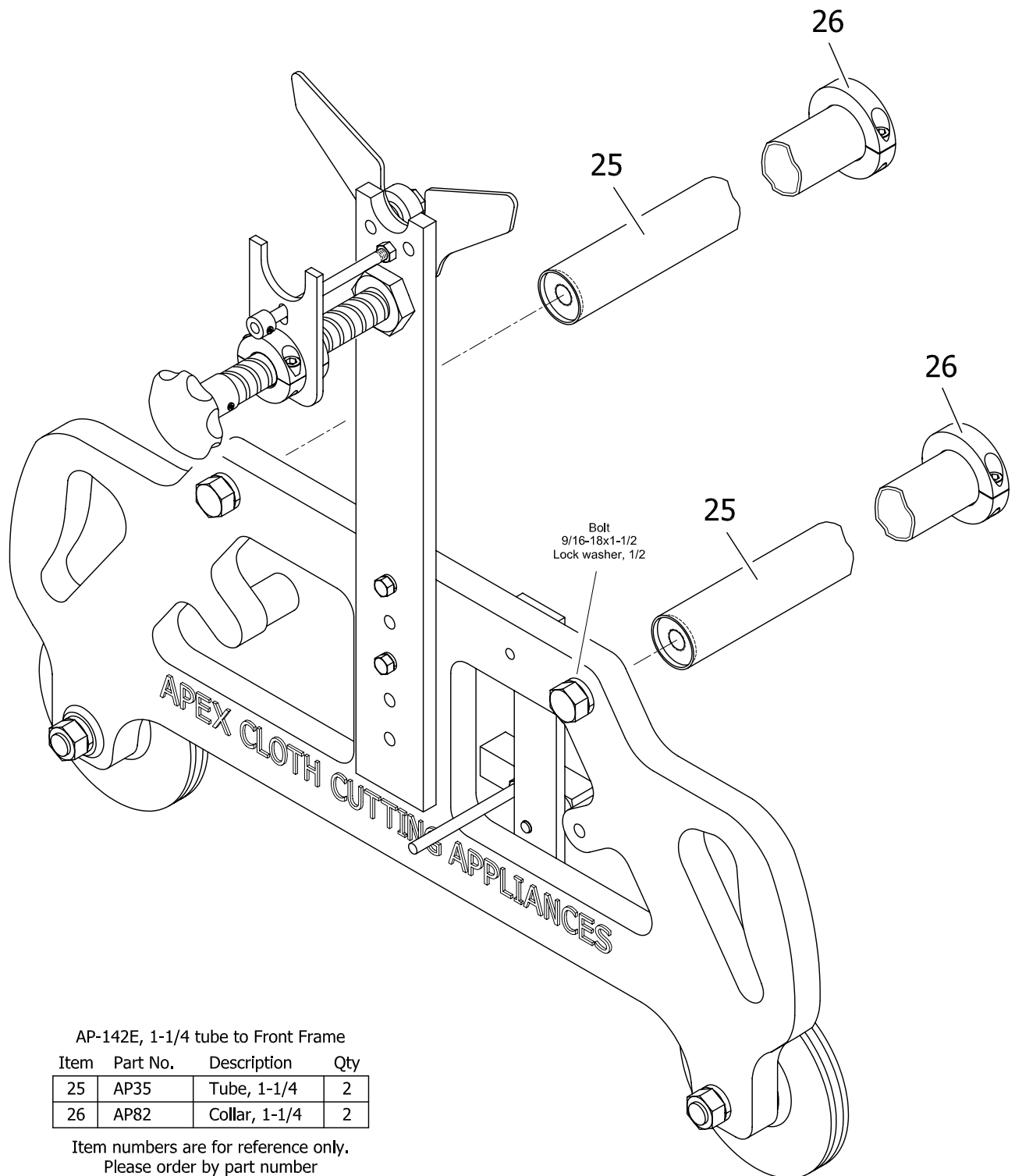
Table Arm with 3/4 Tube  
Roller to Rear Frame

AP-142E, Ratchet, square tubing and rollers

Item	Part No.	Description	Qty
13	AP105	Collar	1
19	APT33A	Ratchet	1
20	APT33	Table Arm	2
21	AP43S	Sq Exp Tube	2
22	AP120	Collar	4
23	AP43	Tube Roller, 7/8	2
24	AP32	Tube Roller, 3/4	2

Item numbers are for reference only.  
Please order by part number

# AP-142E Expandable Spreader

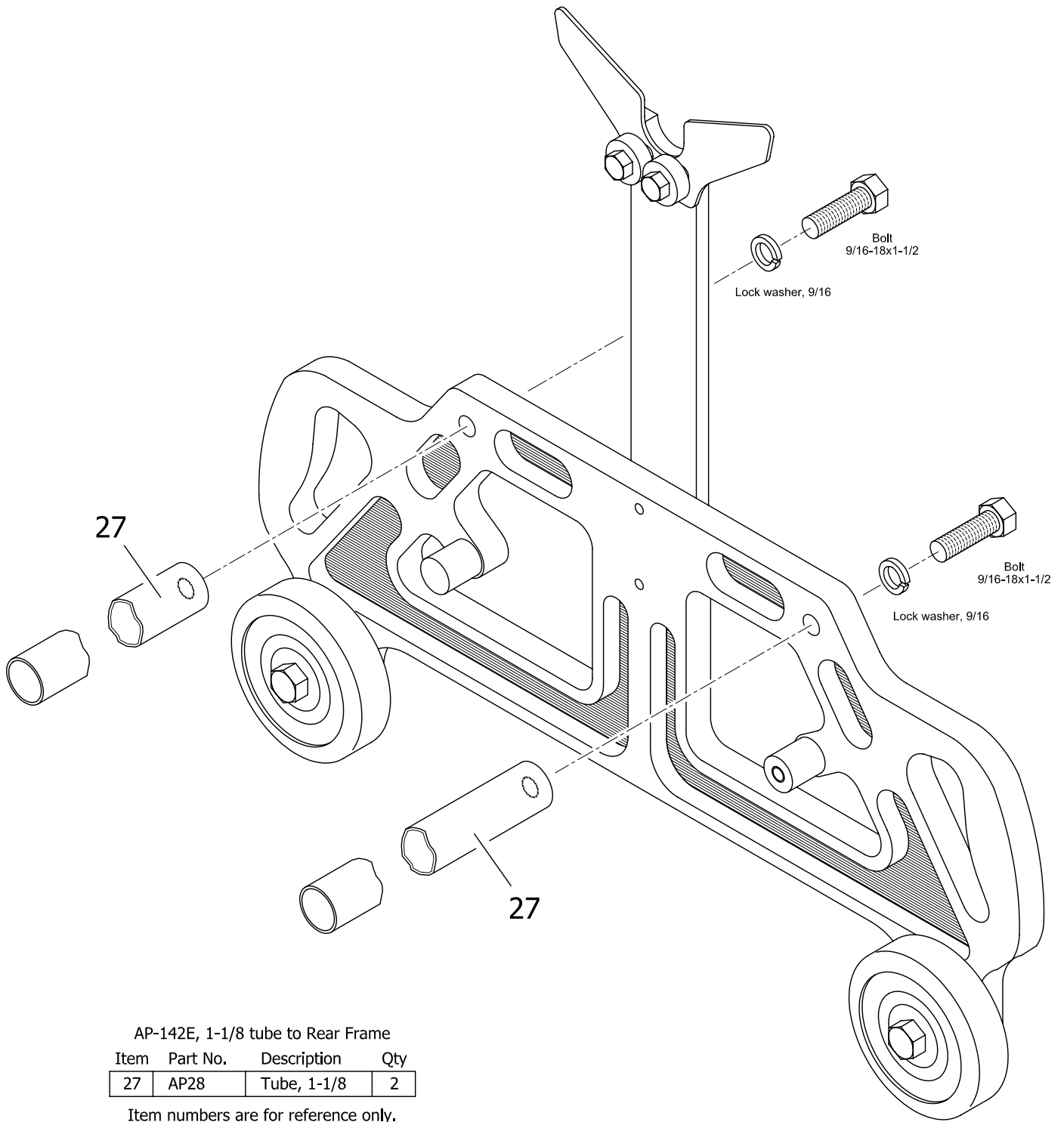


AP-142E, 1-1/4 tube to Front Frame

Item	Part No.	Description	Qty
25	AP35	Tube, 1-1/4	2
26	AP82	Collar, 1-1/4	2

Item numbers are for reference only.  
Please order by part number

# AP-142E Expandable Spreader



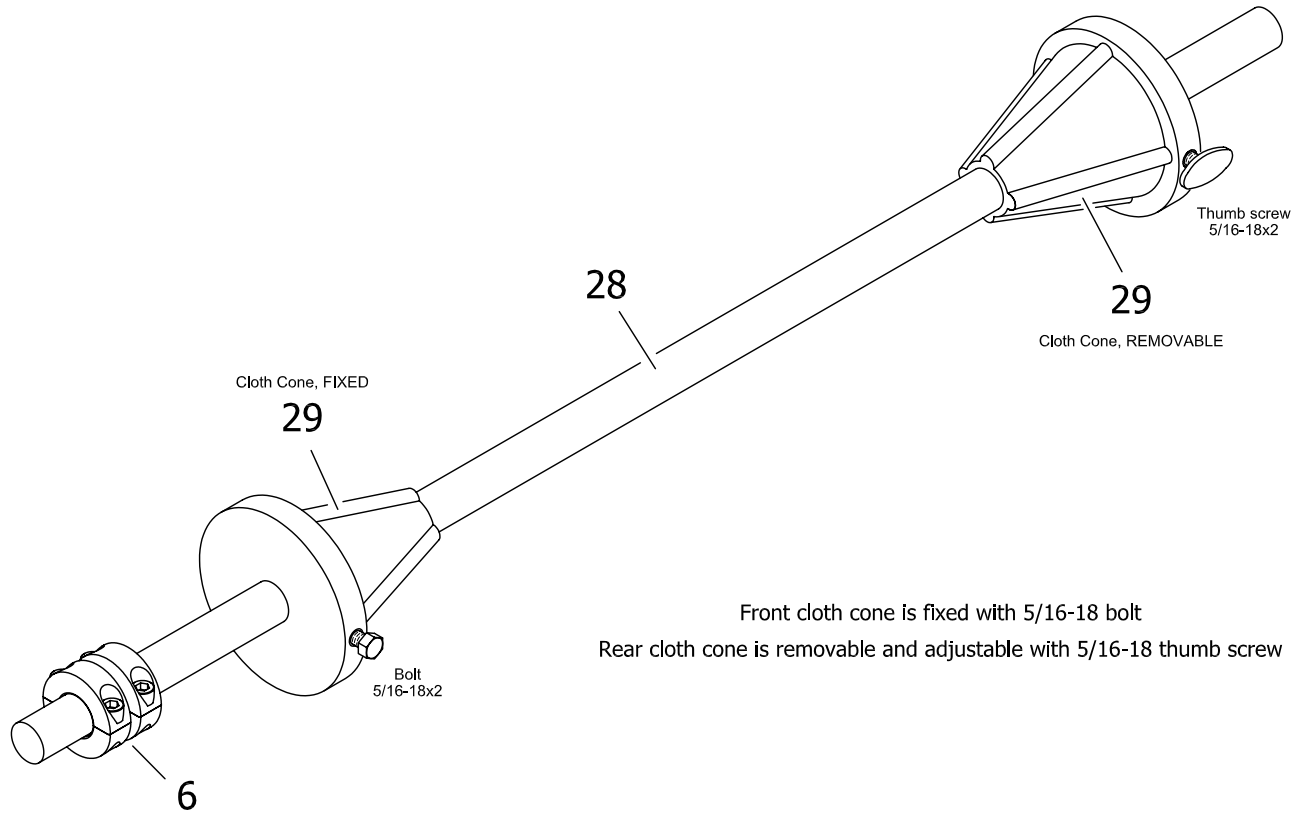
AP-142E, 1-1/8 tube to Rear Frame

Item	Part No.	Description	Qty
27	AP28	Tube, 1-1/8	2

Item numbers are for reference only.  
Please order by part number



# AP-142E Expandable Spreader



Front cloth cone is fixed with 5/16-18 bolt  
 Rear cloth cone is removable and adjustable with 5/16-18 thumb screw

## AP-142E, Cloth bar and Cones

Item	Part No.	Description	Qty
28	AP4	Cloth Bar, 3/4	1
29	AP3	Cloth Cone	2
6	AP110X	Collar	2

Item numbers are for reference only.  
 Please order by part number