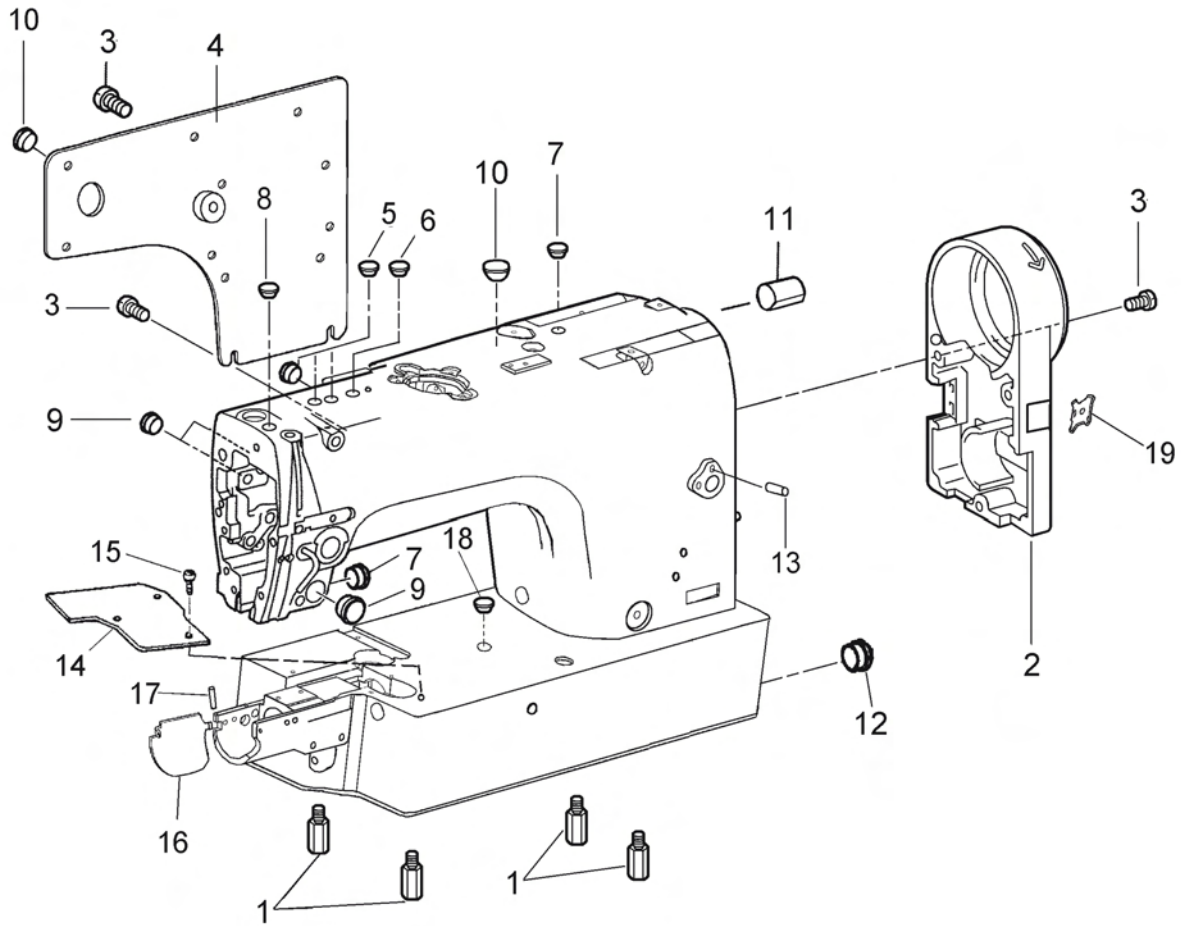


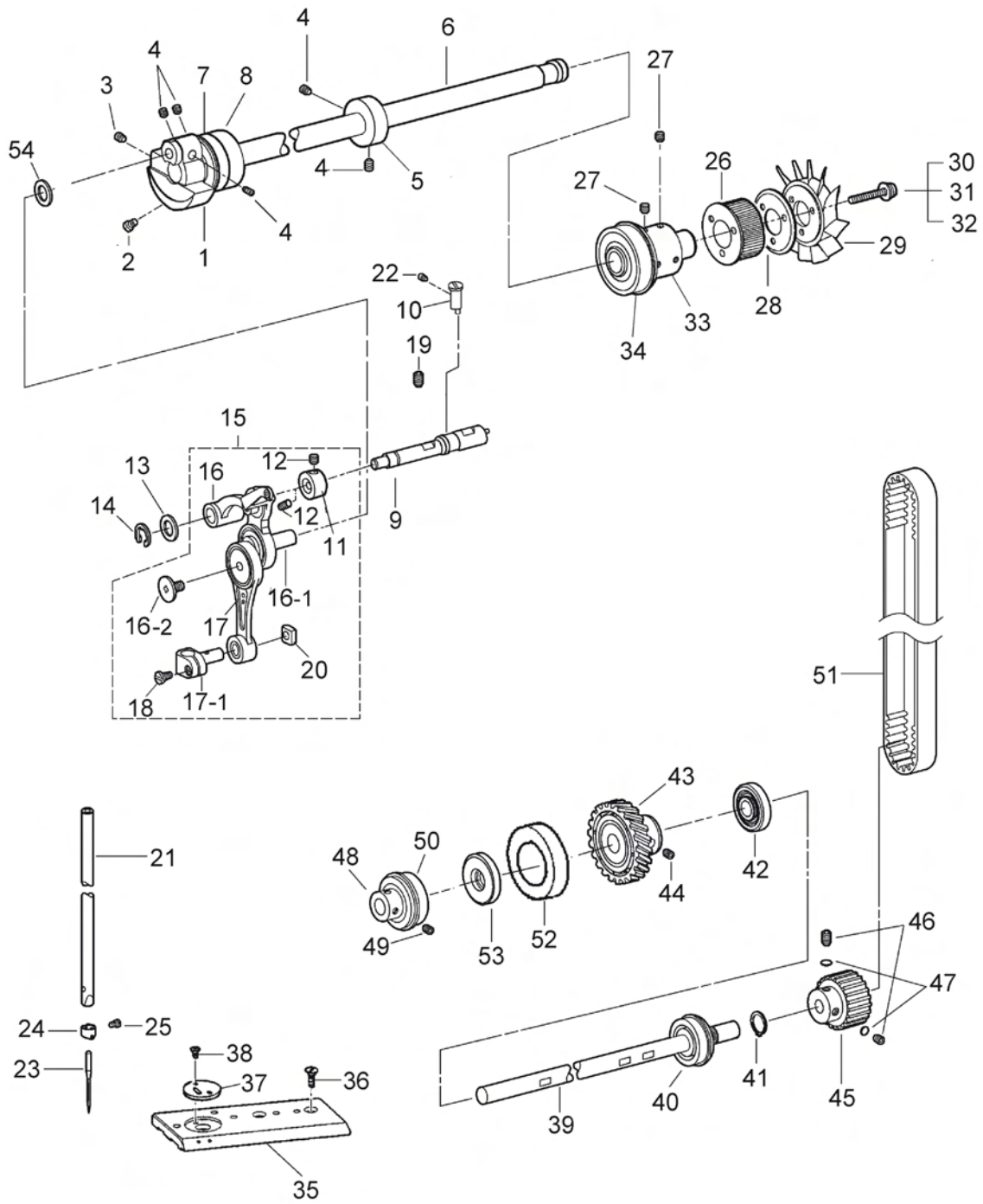
TABLE OF CONTENTS

HEAD - MACHINE BODY	3-2
HEAD - NEEDLE BAR AND THREAD TAKE-UP MECHANISM	3-4
HEAD - NEEDLE FEED MECHANISM	3-8
HEAD - PRESSER FOOT MECHANISM	3-12
HEAD - FEED MECHANISM	3-14
HEAD - ROTARY HOOK MECHANISM	3-18
HEAD - LUBRICATION MECHANISM	3-20
HEAD - THREADING MECHANISM	3-24
HEAD - BOBBIN WINDER MECHANISM	3-26
HEAD - THREAD TRIMMER MECHANISM	3-28
HEAD - TENSION RELEASE MECHANISM	3-32
HEAD - THREAD WIPER MECHANISM	3-34
HEAD - CRIMPING DEVICE COMPONENT	3-36
HEAD - ELECTROMAGNETIC CARRIED PRESS FOOT MECHANISM	3-38
HEAD - PNEUMATIC CARRIED PRESS FOOT MECHANISM	3-40
HEAD - CONTROL BOX AND MOTOR MECHANISM	3-42
LEFT HEM GUIDE	3-44
JOINT DETECTOR	3-46
TOP PULLER	3-48
BOTTOM PULLER DRIVE & FOLDING HOOK	3-50
RIGHT-BOTTOM HEM GUIDE	3-52
BOTTOM PULLER	3-54
PRESSER FOOT	3-56
HOOK HOUSING	3-58
MACHINE STAND	3-60

HEAD - MACHINE BODY



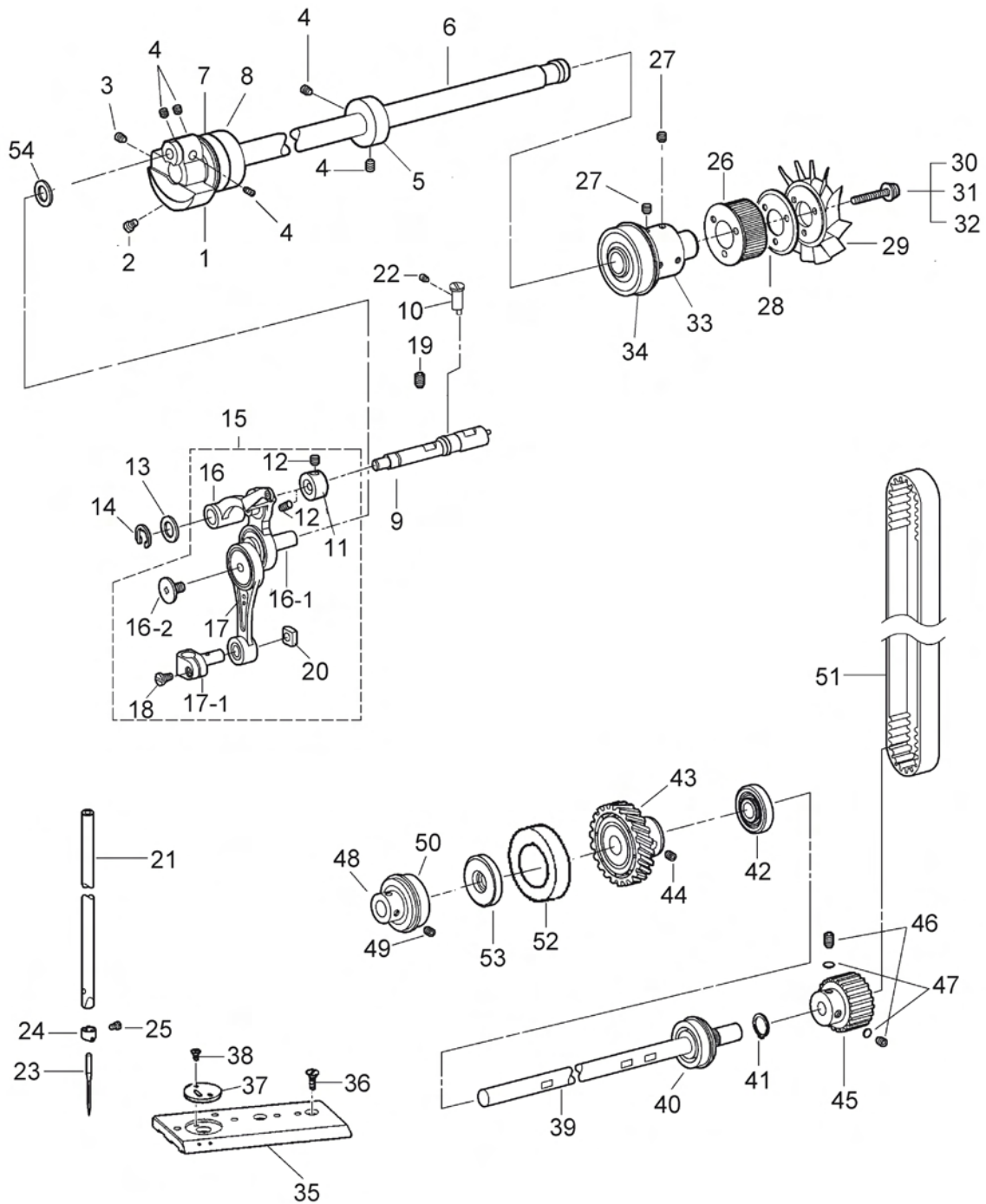
HEAD - NEEDLE BAR AND THREAD TAKE-UP MECHANISM



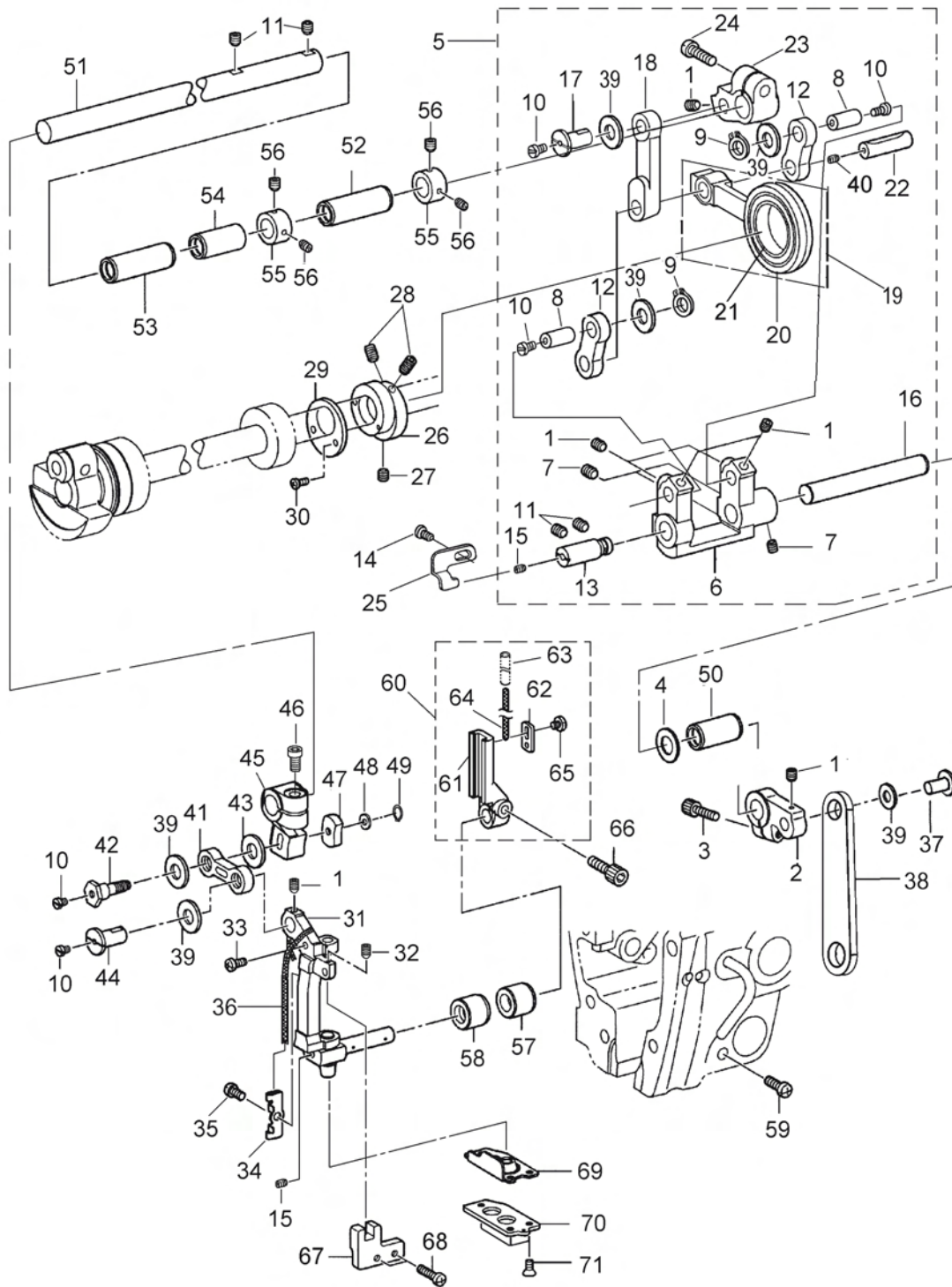
HEAD - NEEDLE BAR AND THREAD TAKE-UP MECHANISM

DET	PART NUMBER	DESCRIPTION	QTY.
01	217N00001	NEEDLE BAR CRANK	1
02	BX85875009	SCREW M8	1
03	BX85874009	SCREW M6X0.75X10	1
04	BX87459009	SCREW M6X0.75X6	5
05	BXF9980009	BOBBIN WINDER DRIVING WHEEL	1
06	BXF3285009	UPPER SHAFT	1
07	S150801008	BEARING GB/T307-2005 6004ZZNR	1
08	S150801006	BEARING GB/1-307-2005 6004ZZ	1
09	217N00002	THREAD TAKE — UP SUPPORT SHAFT	1
10	BXF3871909	POSITIONING PIN	1
11	BXF9985009	TIGHTEN RING	1
12	B098600674	SCREW M4X4	2
13	BXF8949009	WASHER	1
14	B062040768	RETAINING RING E6	1
15	217101000	THREAD TAKE—UP LEVER ASSY	1
16	BXF9983009	THREAD TAKE—UP SMALL LEVER ASSY	1
16-1	BXF3484009	THREAD TAKE—UP CRANK	1
16-2	BXF8688009	SCREW SM3.57-40X6L	1
17	217N01100	NEEDLE BAR CONNECTING ROD SET	1
17-1	BX85863009	NEEDLE BAR GUIDE	1
18	ZOA140004	SCREW SM3.57-40X7	1
19	B098049074	SCREW M6X10	2
20	B908470009	NEEDLE BAR GUIDE SLIDE BLOCK	1
21	BXF3650009	NEEDLE BAR (H)	1
22	B098500574	SCREW M5X5	1
23	S150999005	NEEDLE 1955-01MR5	1
24	B959516009	NEEDLE BAR THREAD GUIDE	1
25	B960557908	SCREW SM3.18	1
26	BXF8850009	TIMING PULLEY (U)	1
27	BX87459009	SCREW M6X0.75X6	4
28	BX72398009	FLANGE	1
29	BX72397900	FAN	1
30	B048607598	SCREW M4X35	3
31	S150602005	SPRING WASHER GB859-76 ϕ 4	3
32	B085060878	WASHER M4	3
33	BXF9969009	COUPLING	1
34	S150801016	BEARING GB/1-307-2005 6204ZZNR	1
35	BX66092009	THROAT PLATE SUPPORT	1
36	B900078006	SCREW SM4.37-40X8	2
37	BX66091009	NEEDLE PLATE	1
38	B900740007	SCREW SM2.38	2
39	237200001	LOWER SHAFT	1
40	S150801020	BEARING GB/1-307-2005 6301 ZZNR	1
			

HEAD - NEEDLE BAR AND THREAD TAKE-UP MECHANISM



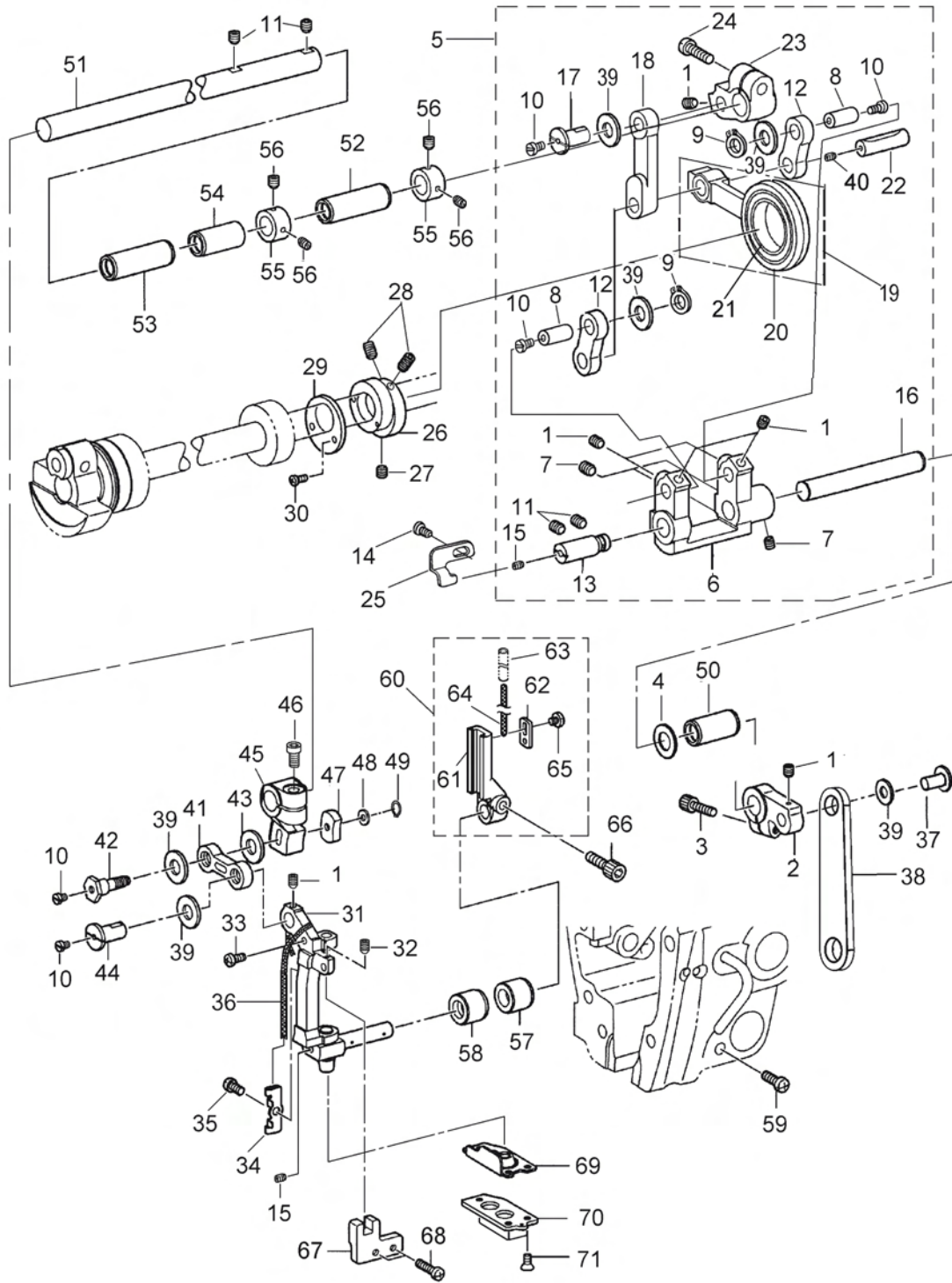
HEAD - NEEDLE FEED MECHANISM



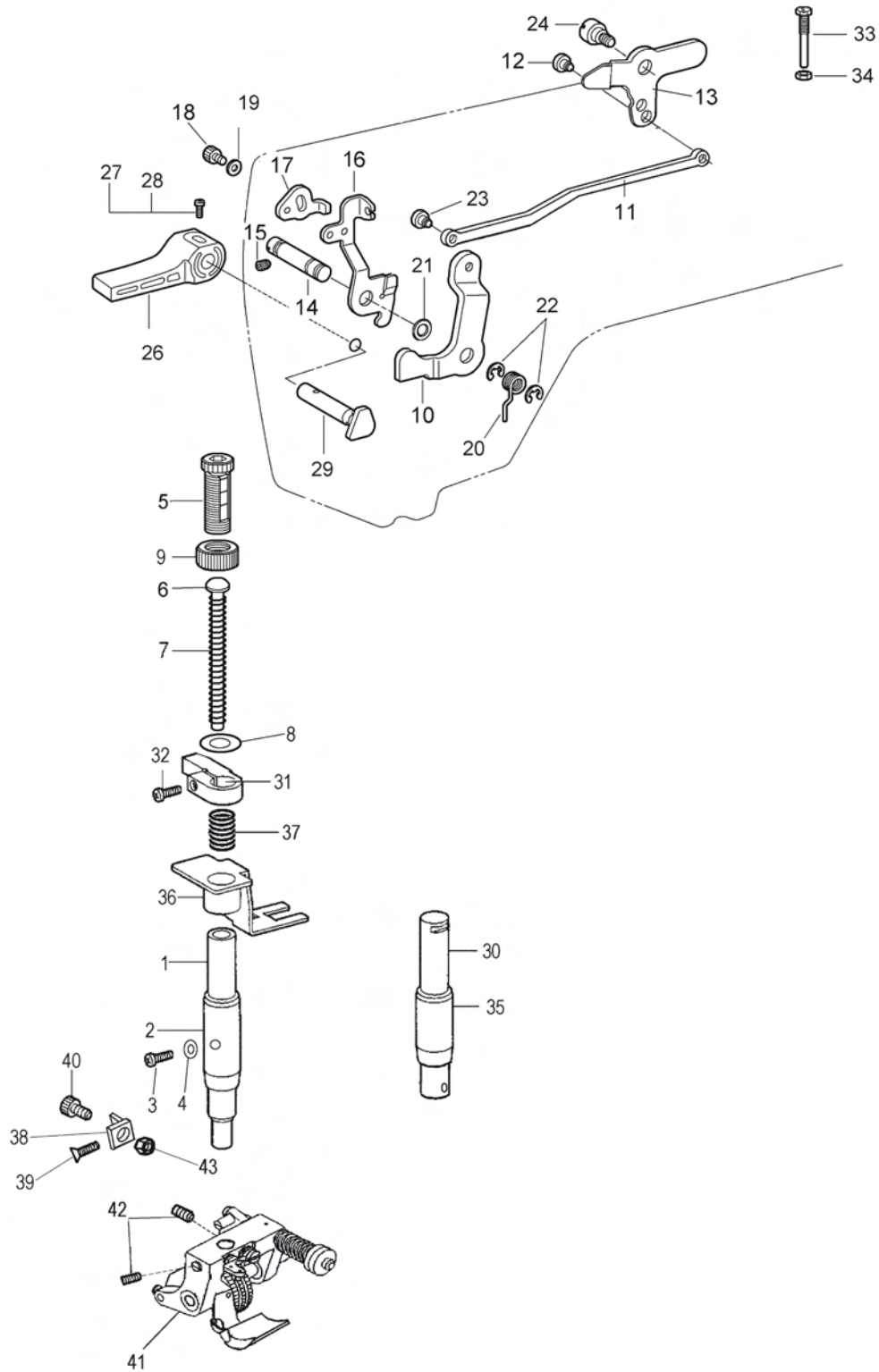
HEAD - NEEDLE FEED MECHANISM

DET	PART NUMBER	DESCRIPTION	QTY.
01	B098500574	SCREW M5X5	9
02	BXF3749909	NEEDLE FEED REGULATOR ARM (U)	1
03	B092509674	BOLT M5X14	1
04	BX80754009	WASHER (S10)	1
05	BXF3748709	NEEDLE FEED REGULATOR UNIT	1
06	BXF3747009	NEEDLE FEED REGULATOR	1
07	BX87459009	SCREW M6X0.75X6	3
08	BXF3746909	FEED REGULATOR LINK STUD (S)	2
09	B062020968	RETAINING RING C8	2
10	BXF3268009	SCREW M4X4	5
11	B098040574	SCREW M6X5	4
12	BXF3741009	LINK S	2
13	BXF3726909	NEEDLE FEED REGULATOR STUD ASSY	1
14	B048500294	SCREW M5X8	1
15	B098600674	SCREW M4X4	1
16	217N00016	NEEDLE FEED REGULATOR STUD	1
17	BXF3639009	LINK STUD	1
18	BXF3730809	LINK (L)	1
19	BXF3739809	NEEDLE FEED CONNECTING ROD ASSY	1
20	BXF3738009	NEEDLE FEED CONNECTING ROD	1
21	S150801105	BEARING GB/T307-2005 61805 2RZ	1
22	BXF3735009	LINK SHAFT	1
23	BXF3733809	NEEDLE FEED ARM (R)	1
24	B048049494	SCREW M6X16	1
25	217N00020	NEEDLE FEED REGULATOR STUD CHECK PLATE	1
26	BXF3729000	NEEDLE FEED ECCENTRIC WHEEL (3.7)	1
27	BX87459009	SCREW M6X0.75X6	1
28	BX85874009	SCREW M6X0.75X10	2
29	BXF3728009	HOLDER	1
30	B048750494	SCREW M3.5X6	2
31	217N00010	NEEDLE BAR SUPPORT ASSY	1
32	B098600674	SCREW M4X4	2
33	B048500494	SCREW M5X6	2
34	BXF6611009	CORD HOLDER	1
35	B048600494	SCREW M4X6	1
36		WICK 3X200	1
37	217100043	CONNECT PIN	1
38	237400005	CONNECTING ROD	1
39	B990743009	WASHER 8	6
40	B096700678	SCREW M3X4	1
41	BXF3716809	LINK	1
42	BXF3552009	NEEDLE FEED ARM SHAFT	1
43	BXF6708009	WASHER	1
			

HEAD - NEEDLE FEED MECHANISM



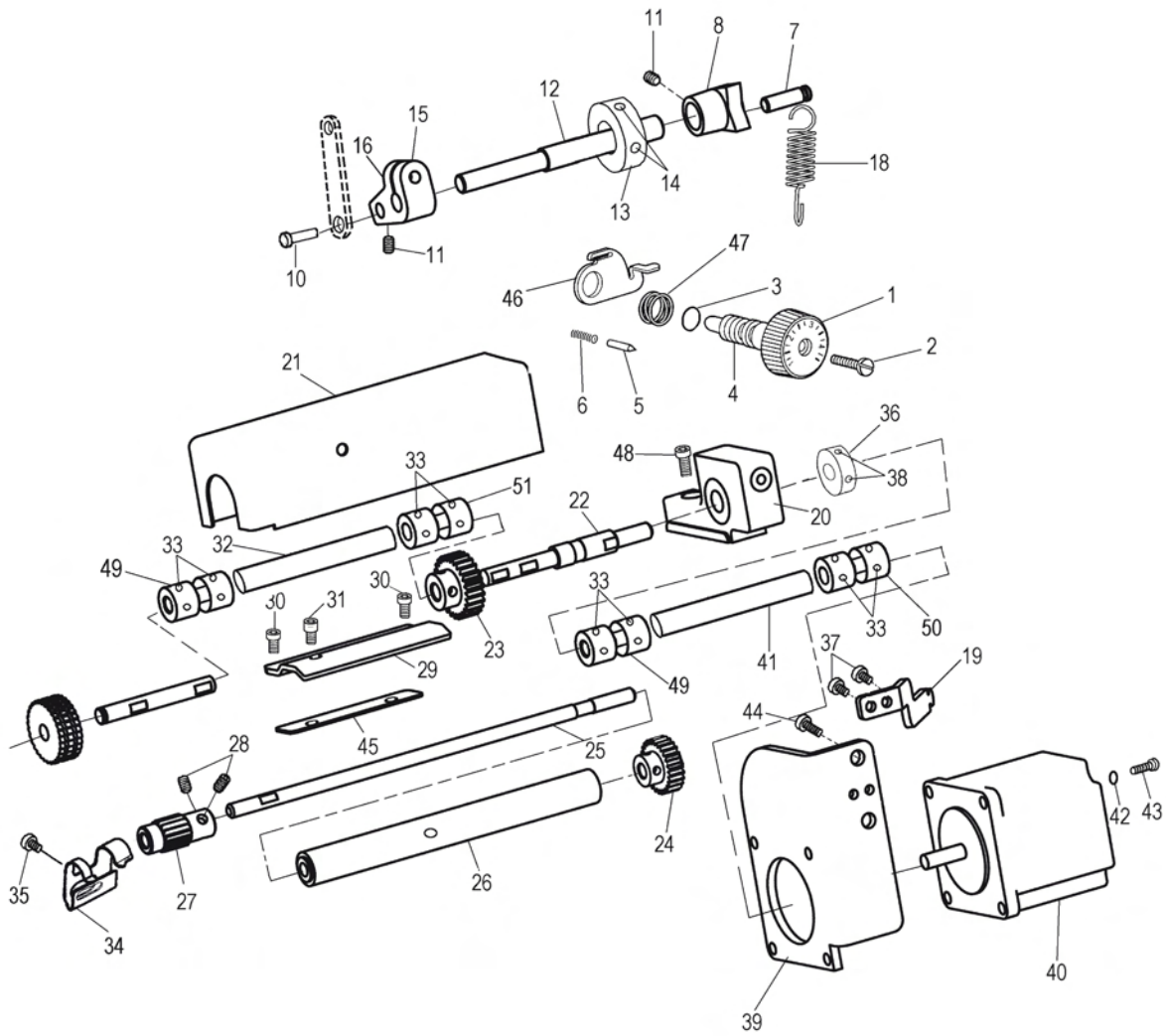
HEAD - PRESSER FOOT MECHANISM



HEAD - PRESSER FOOT MECHANISM

DET	PART NUMBER	DESCRIPTION	QTY.
01	237300001	PRESSER BAR	1
02	BXF3868009	PRESSER BAR BUSH	1
03	B048500494	SCREW M5X6	1
04	B084050974	WASHER S5	1
05	BXF9936009—W	PRESSER ADJUSTING SCREW M14	1
06	B969802009	SPRING GUIDE	1
07	230100021	PRESSER BAR SPRING	1
08	B960603009	WASHER	1
09	BXF9935009—W	ADJUST SCREW NUT M14	1
10	BXF6627009	PRESSER BAR LIFTER LEVER	1
11	BXF3603909	KNEE LIFTER CONNECTING ROD	1
12	BXF9931009	SHOULDER SCREW M5	1
13	BXF3604909	KNEE LIFTER LEVER	1
14	BXF9929009	PRESSER BAR LIFTER LEVER SHAFT	1
15	B098500574	SCREW M5X5	1
16	BXF9927009	TENSION RELEASE PLATE	1
17	BXF9926009	T— RELEASE SELECTION PLATE	1
18	B092600578	BOLT M4X5	1
19	217100049	WASHER M4	1
20	BXF9924009	P—BAR LIFTER LEVER SPRING	1
21	BX03750009	WASHER	1
22	B062050768	RETAINING RING E5	2
23	BXF9931009	SHOULDER SCREW M5	1
24	BXF8945009	SHOULDER SCREW M6	1
26	BX79004089	LIFTING LEVER	1
27	B048759894	SCREW M3.5X12	1
28	S150607008	WASHER GB97-76 C04	1
29	BX65273009	PRESSER BAR LIFTER CRANK	1
30	237300002	GUIDE	1
31	237300003	PRESSER BAR GUIDE BRACKET	1
32	B048609894	SCREW M4X12	1
33	BXF6854909	ADJUST SCREW M6	1
34	B089040704	NUT M6	1
35	BX94746009	PRESSER BAR GUIDE BUSH	1
36	BX66074009	GUIDE ARM	1
37	BX66073009	SPRING	1
38	237300005	PRESSER FOOT ADJUST PIECE	1
39	BX09414009	SCREW SM3.57X6	1
40	B092509474	SCREW M5X16	1
41	237310000	UPPER ROLLER ASSY	1
42	B097350598	SCREW SM5.56	2
43	B089500904	NUT M5	1

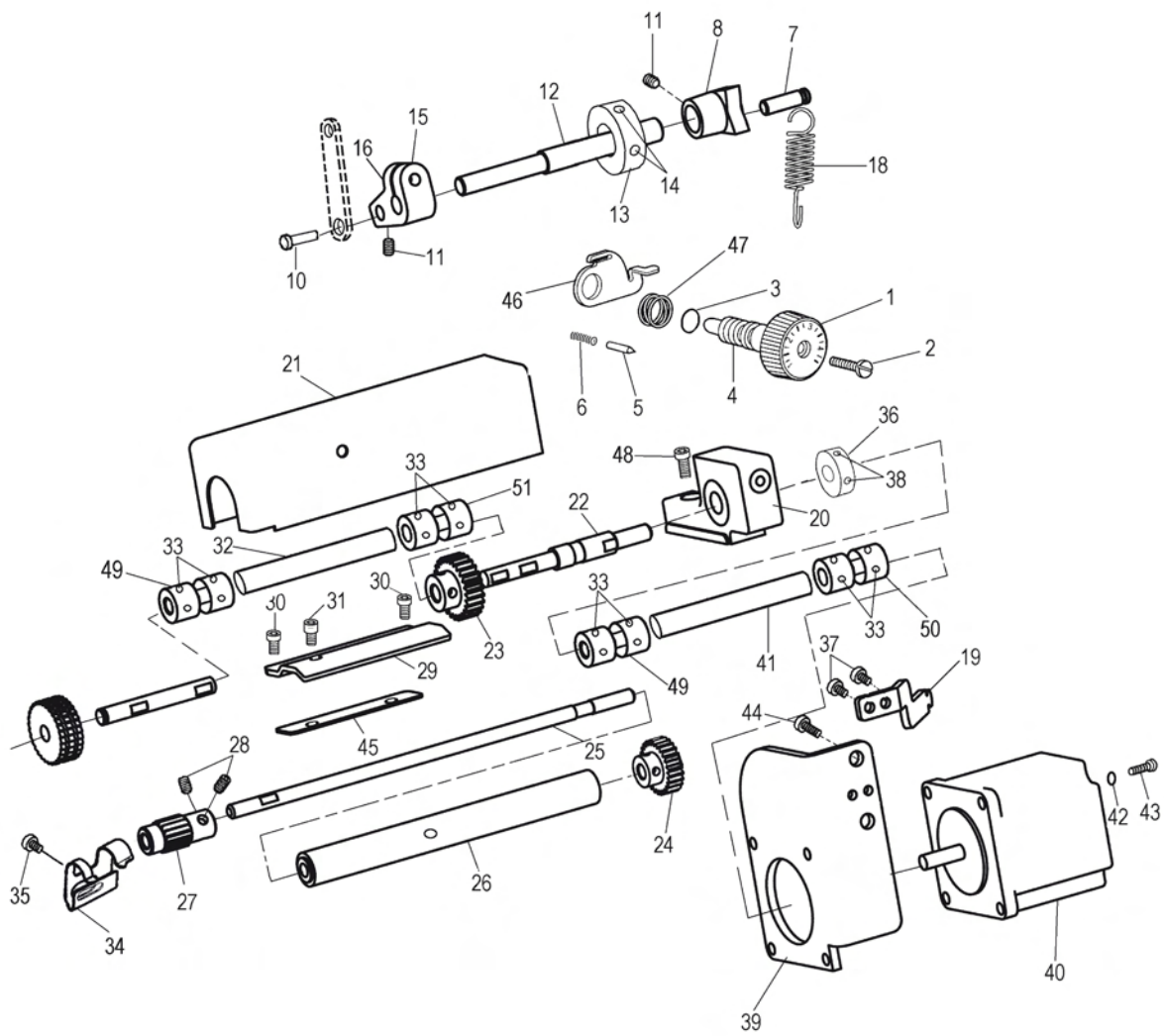
HEAD - FEED MECHANISM



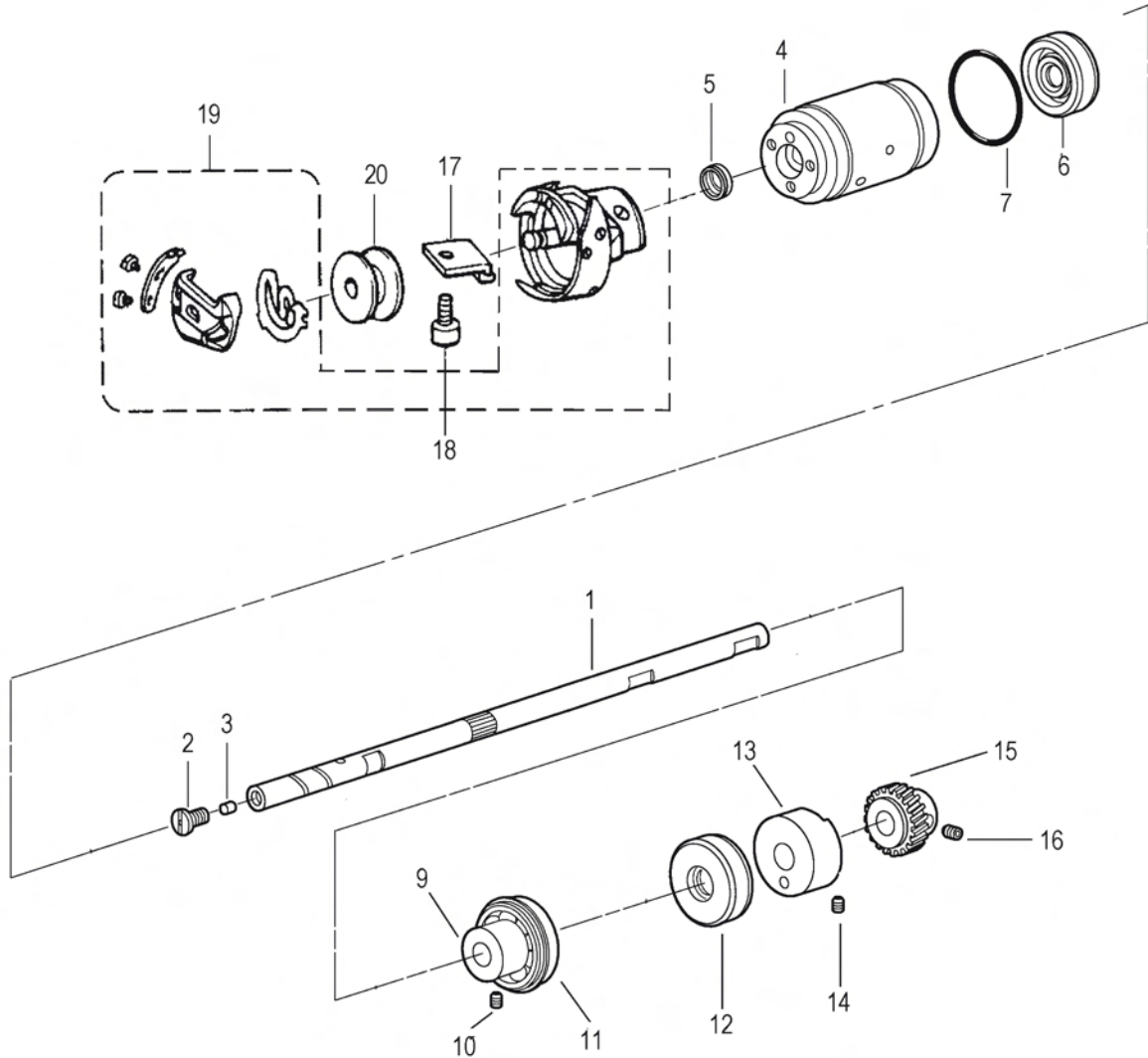
HEAD - FEED MECHANISM

DET	PART NUMBER	DESCRIPTION	QTY.
01	217N00022	STITCH LENGTH DIAL	1
02	BXF6616009	SCREW SM4.76	1
03	124510003	O RING	1
04	217N00021	SCREW BAR	1
05	BX50012009	STOP PIN	1
06	B900782009	SPRING	1
07	237400019	PIN	1
08	237400001	FEED REGULATOR	1
10	217100043	CONNECT PIN	1
11	B098500574	SCREW M5X5	3
12	237400004	FEED REGULATOR SHAFT	1
13	BXF6522009	TIGHTEN RING 12	1
14	B098500574	SCREW M5X5	2
15	237400002	FEED REGULATOR CRANK	1
16	B092509674	SCREW M5X14	1
18	22730002	SPRING	1
19	237400009	SPRING PULL	1
20	237400007	GEAR FRAME	1
21	237400010	COVER	1
22	237400011	UPPER SHAFT GEAR	1
23	237400017	UPPER SHAFT GEAR (SCREW M5)	1
24	237400018	LOWER SHAFT GEAR (SCREW M5)	1
25	237400015	LOWER FEEDING DRIVE SHAFT	1
26	237400016	LOWER FEEDING DRIVE SHAFT BUSH	1
27	237300006	LOWER FEED ROUND	1
28	B098500574	SCREW M5	1
29	BX66021009	ROTATION AXIS HOLDER	1
30	B048600294	SCREW M4X8	2
31	B092600578	BOLT M4X5 GC6720MD3	1
32	237400022	LINK SHAFT (SHORT)	1
33	B098500574	SCREW M5	16
34	BX66019000	LOWER FEED ROUND PROTECT FRAME	1
35	B048600494	SCREW M4X6	2
36	237400013	TIGHTEN RING	1
37	B048600494	SCREW M4X6	4
38	B098040574	SCREW M6X5	2
39	237400012	PULL MOTOR BRACKET	1
40	237400023	PULL MOTOR	1
41	237400021	LINK SHAFT (LONG)	1
42	B092609074	SCREW M4X10	4
43	B084060874	WASHER 4	4
44	B092049874	BOLT M6X12	2
45	BX63774009	HOLDER WASHER	1
			

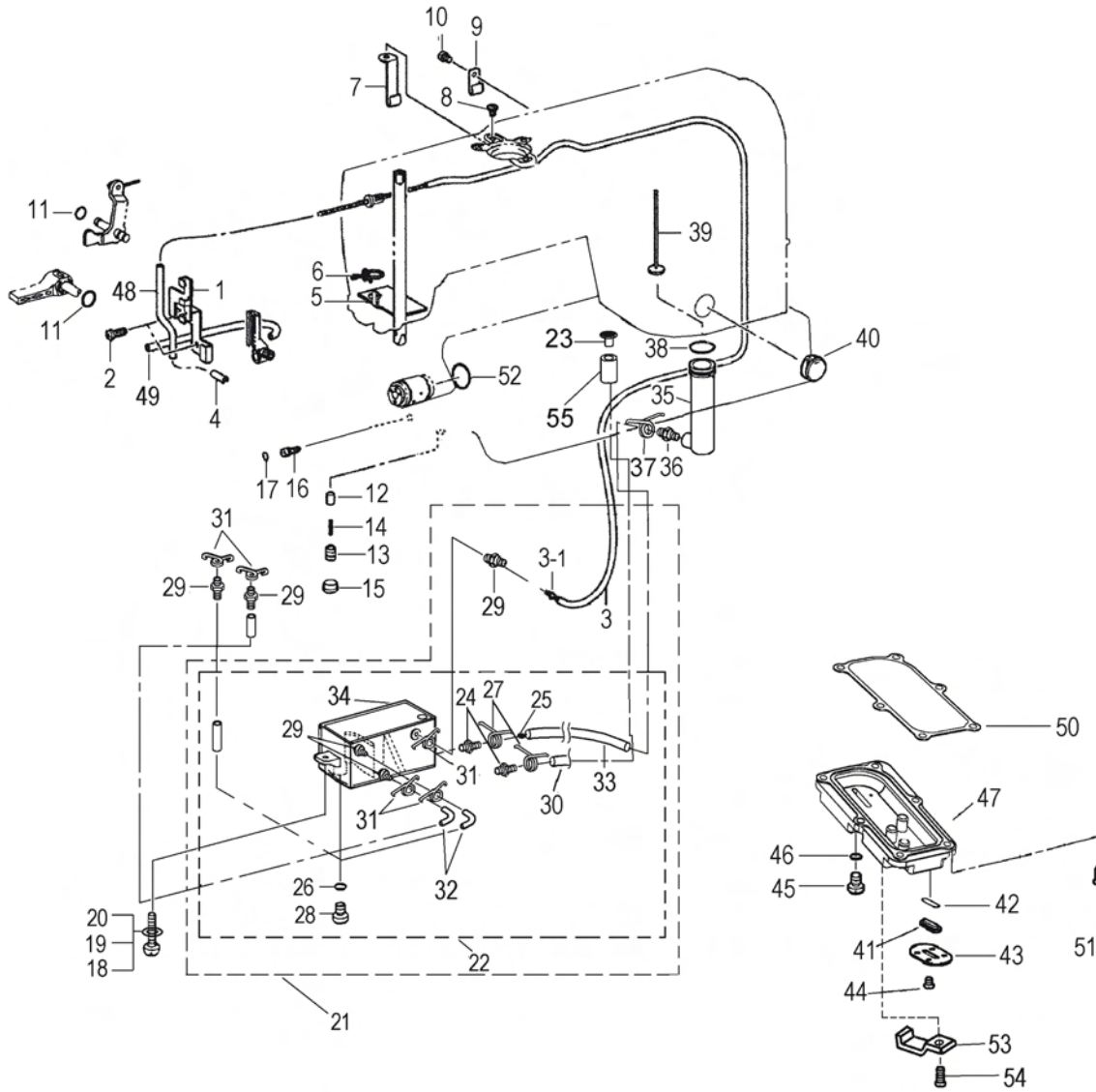
HEAD - FEED MECHANISM



HEAD - ROTARY HOOK MECHANISM



HEAD - LUBRICATION MECHANISM

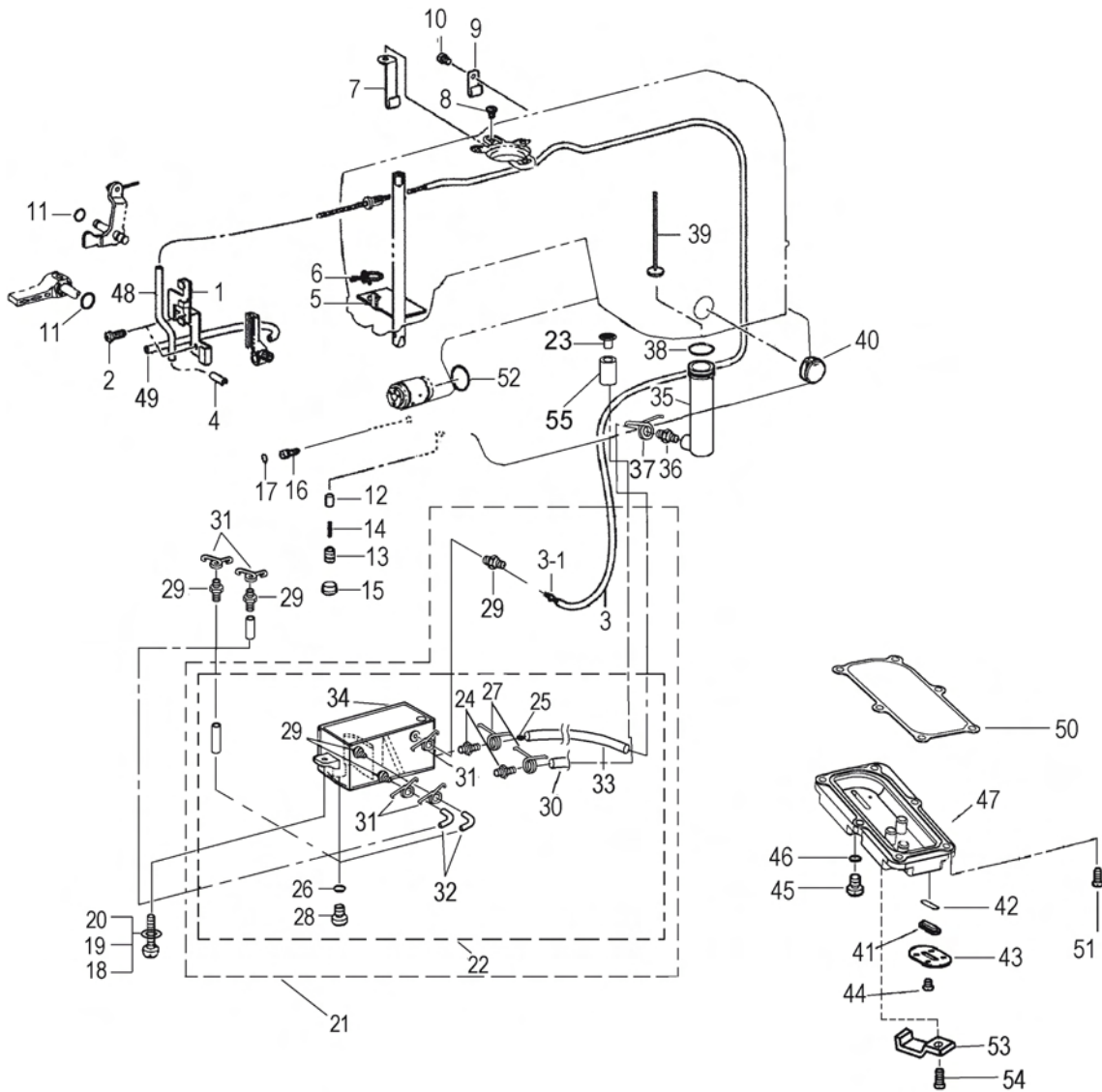


HEAD - LUBRICATION MECHANISM

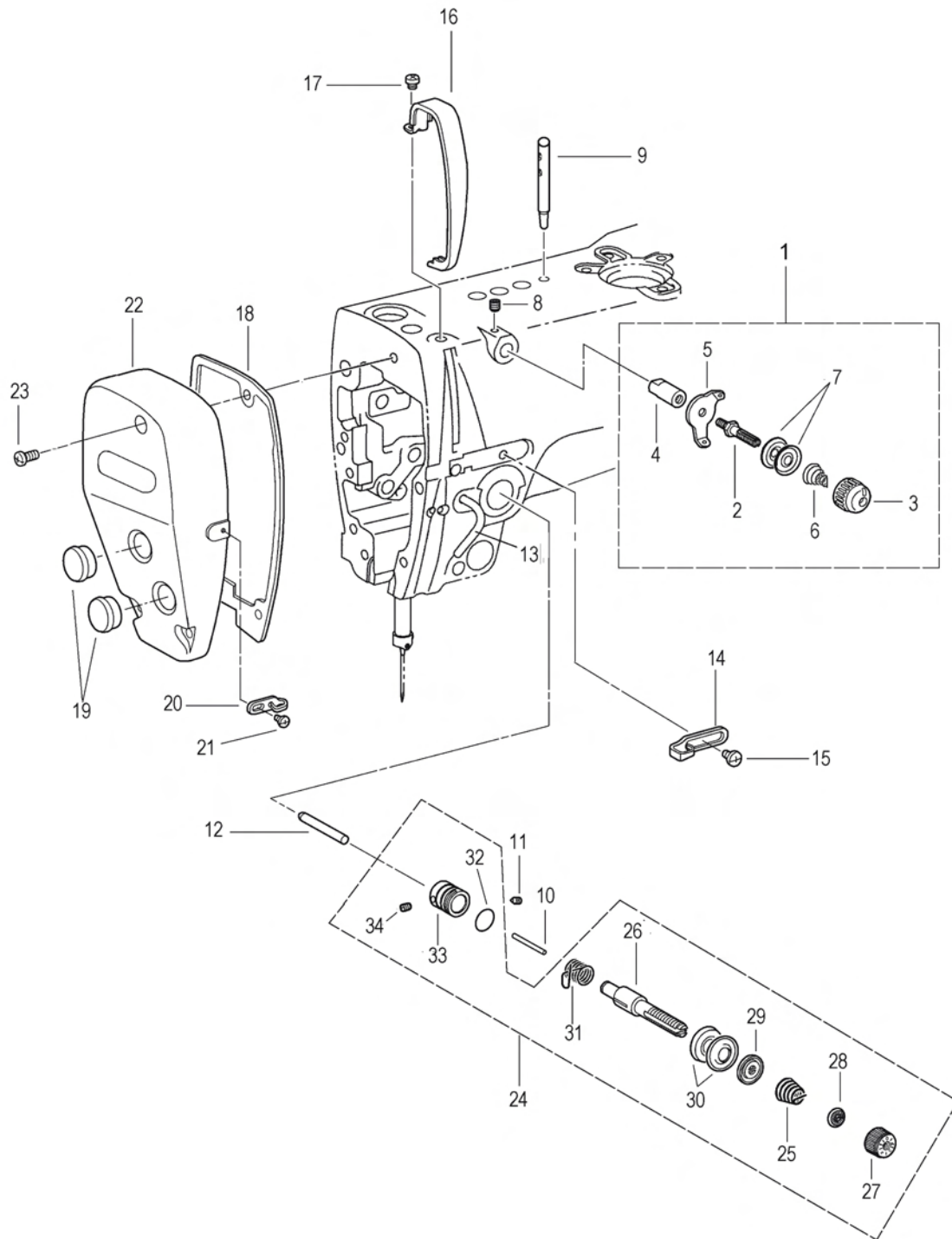
DET	PART NUMBER	DESCRIPTION	QTY.
01	BXF3690809	TUBE GUIDE	1
02	B048500494	SCREW M5X6	2
03		NYLON TUBE 3X5X800	1
03-1		WICK 3X1200	1
04	BX02006089	WICK SUPPORT	1
05	BXF6830009	FELT	1
06	BXF4085009	FELT SUPPORT	1
07	BXF3772009	TUBE HOLDER L	1
08	B048500494	SCREW M5X6	1
09	217N20005	TUBE HOLDER R	1
10	B040600594	SCREW M4X5	1
11	B029006030	O RING P4	2
12	36400015	PLUNGER	1
13	BX85720609	SCREW	1
14	B966234009	SPRING COMPRESSION	1
15	B906289009	RUBBER CAP 10.5	1
16	237200005	ADJUSTING SCREW	1
17	B029006230	O RING S4	1
18	B048509894	SCREW M5X12	2
19	B082050864	SPRING WASHER 2-5	2
20	B085050874	WASHER 5	2
21	230121000	OIL TANK SET	1
22	230121100	OIL TANK SET	1
23	230121005	RUBBER CAP	1
24	230121002	OIL TSUI M8	2
25	230100014	FELT 06X15	1
26	B029002030	O RING P8	2
27	BXF7055909	TUBE CLAMP	2
28	BXF9707009	SCREW M8	1
29	BX85728009	OIL FEEDING PIPE	5
30		NYLON TUBE 6X8X120	1
31	217100038	TUBE CLAMP	5
32		NYLON TUBE 3X5X290	2
33		NYLON TUBE 6X8X50	1
34	BXF7953009	OIL TANK	1
35	BXF9703009	SUB TANK	1
36	230120001	OIL TSUI	1
37	BXF7055909	TUBE CLAMP	1
38	B029088230	O RING S22	1
39	230122000	OIL LEVELER ASSY L=90	1
40	BX63501009	OIL GAUGE WINDOW	1
41	BX59838000	OIL WINDOW B—COVER	1
42	B029095230	O RING S15	1



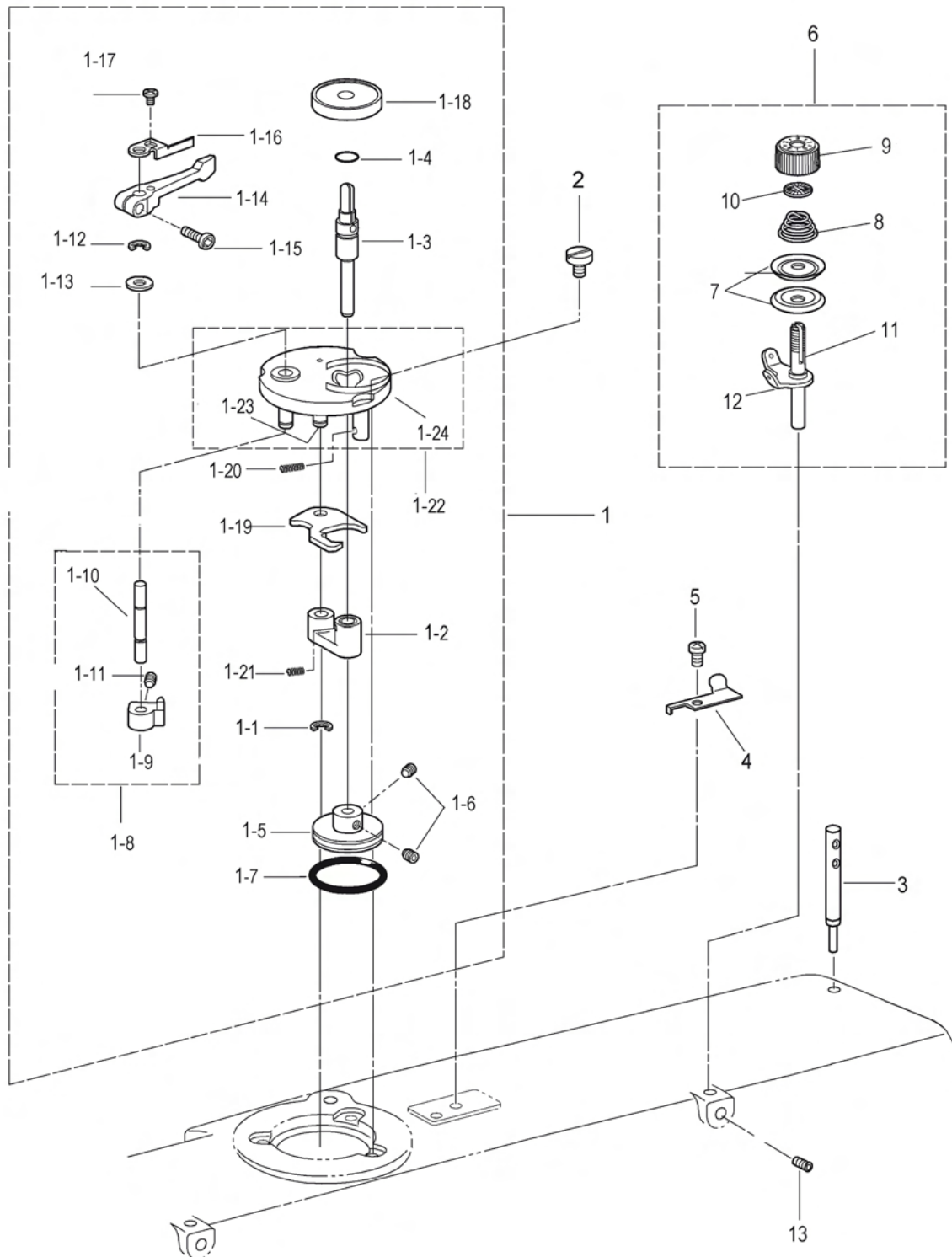
HEAD - LUBRICATION MECHANISM



HEAD - THREADING MECHANISM



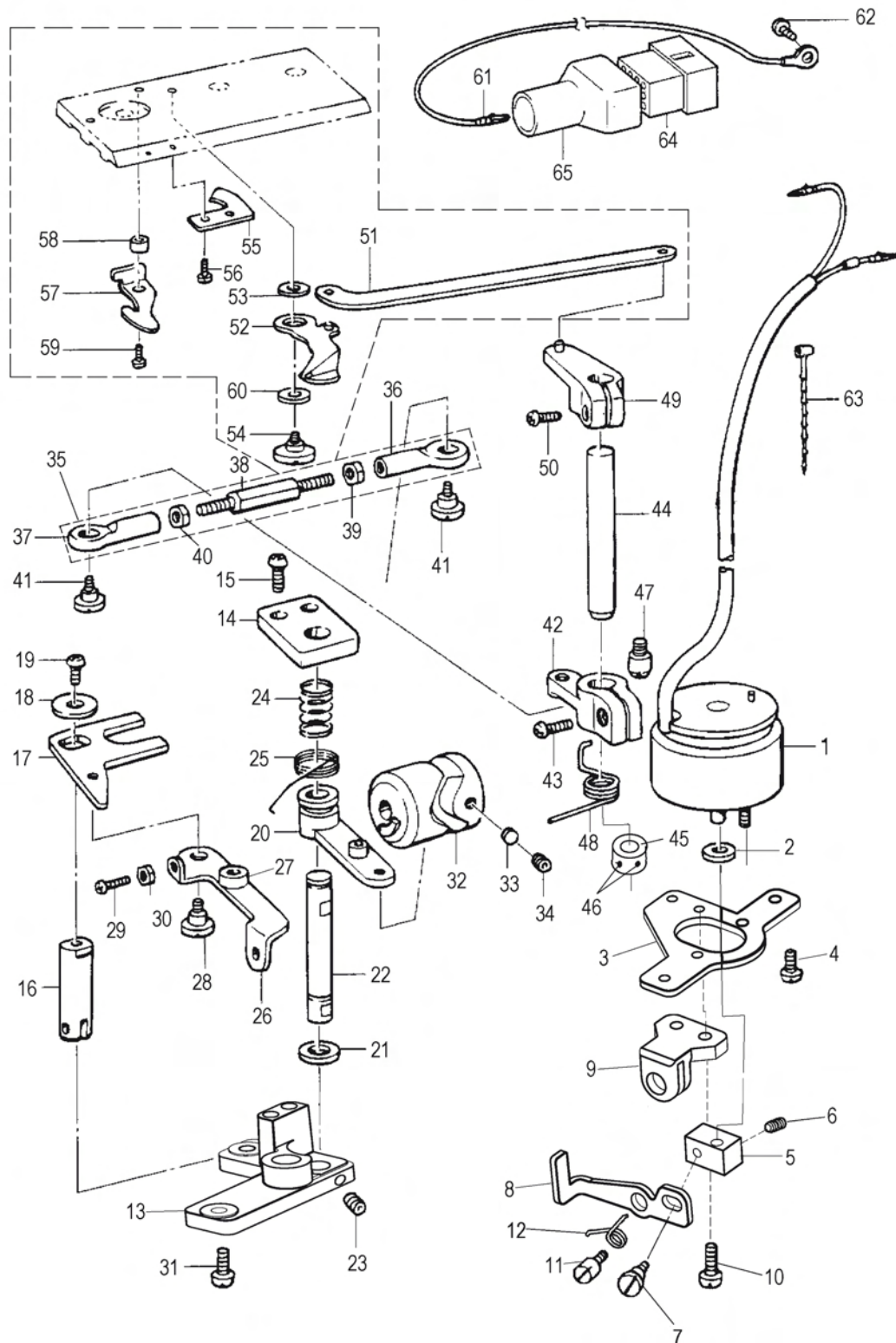
HEAD - BOBBIN WINDER MECHANISM



HEAD - BOBBIN WINDER MECHANISM

DET	PART NUMBER	DESCRIPTION	QTY.
01	BXF9139909—W	BOBBIN WINDER UNIT	1
01-1	B062060768	RETAINING TING	1
01-2	BXF9134009	B—WINDER SHAFT SUPPORT	1
01-3	BXF9132009	BOBBIN WINDER SHAFT	1
01-4	217102002	O RING $\varnothing 9.5 \times \varnothing 2.5$	1
01-5	BXF9120009	BOBBIN WINDER WHEEL	1
01-6	S150224025	SET SCREW M4X6	2
01-7	BX85321000	RUBBER RING $\varnothing 21 \times \varnothing 7$	1
01-8	BXF9129909	BOBBIN PRESSER CAM ASSY	1
01-9	BXF9128909	BOBBIN PRESSER CAM	1
01-10	BXF9127009	BOBBIN WINDER ARM SHAFT	1
01-11	S150224026	SET SCREW M5X5	1
01-12	B062060768	RETAINING TING E4	1
01-13	B085040974	WASHER PLAIN S6	2
01-14	217100042	BOBBIN PRESSER ARM	1
01-15	S150237044	SCREW M4X12	1
01-16	BXF9125009	BOBBIN PRESSER	1
01-17	S150217018	SCREW M4X5	1
01-18	217100033	BOBBIN SUPPORT	1
01-19	BXF9121009	BOBBIN WINDER LEVER	1
01-20	BXF9110909	SPRING	1
01-21	BXF9119009	SPRING	1
01-22	BXF9138009	BOBBIN WINDER SUPPORT ASSY	1
01-23	BXF9137009	BOBBIN WINDER SUPPORT SHAFT	1
01-24	BXF9136009	BOBBIN WINDER SUPPORT	1
02	BXF9118909	SCREW	3
03	BXF9751009	SPOOL PIN	1
04	BXF9740909	KNIFE	1
05	B048500494	SCREW M5X6	1
06	BXF9116009—W	BOBBIN WINDER TENSION ASSY	1
07	B965664009	TENSION DISC	2
08	B900609089	TENSION SPRING	1
09	BX79078009—W	TENSION NUT	1
10	BX98669009	WASHER	1
11	BXF9115009	TENSION SCREW	1
12	BXF9114009	THREAD GUIDE	1
13	B098500574	SCREW M5X5	1

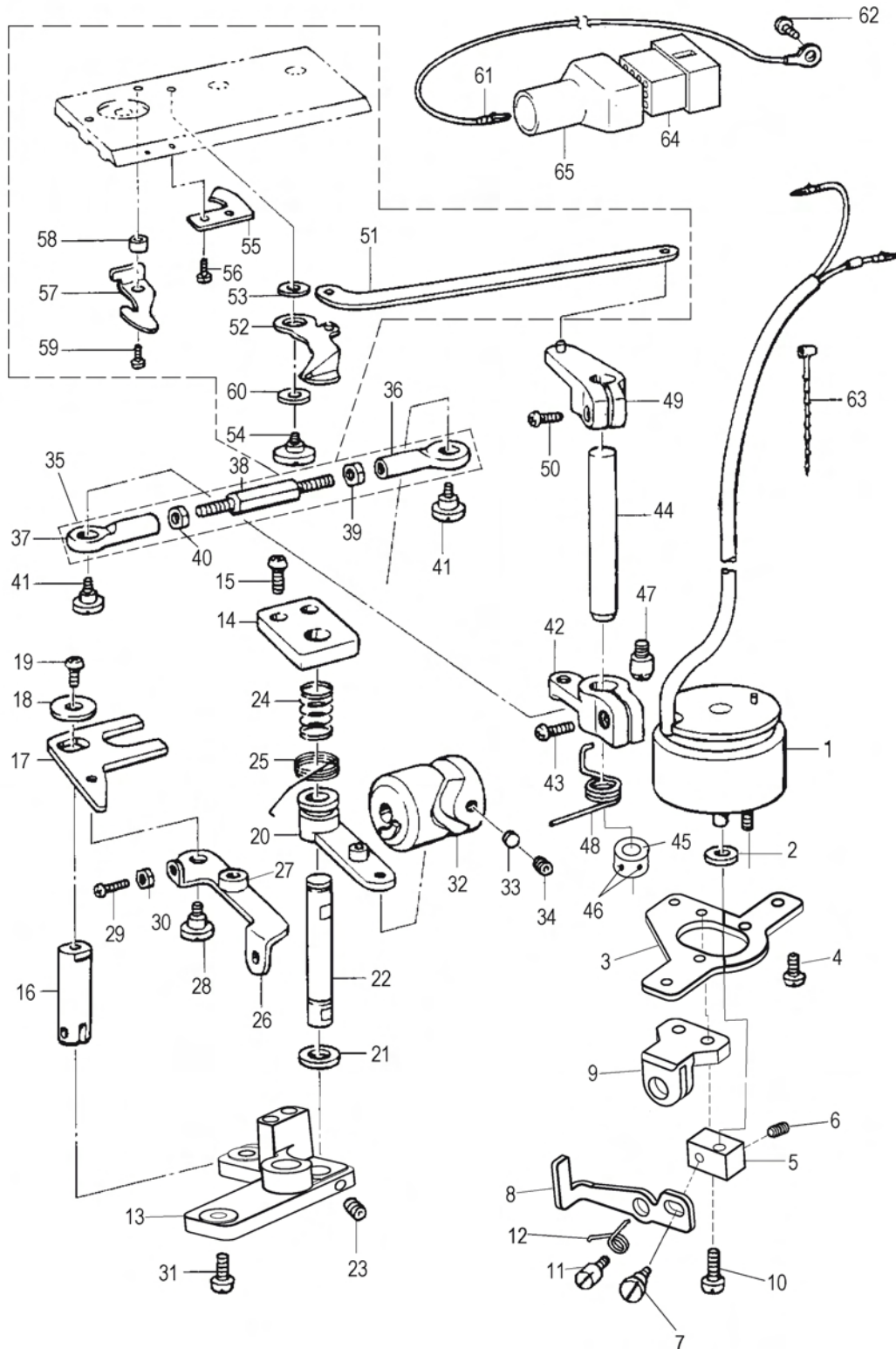
HEAD - THREAD TRIMMER MECHANISM



HEAD - THREAD TRIMMER MECHANISM

DET	PART NUMBER	DESCRIPTION	QTY.
01	BXF8468009	THREAD TRIMMER SOLENOID ASSY	1
02	B956511000	RUBBER CUSHION	1
03	237700001	THREAD TRIMMER SOLENOID SUPPORT	1
04	B092049874	SCREW M6X12	2
05	BXF8466009	SOLENOID BRACKET	1
06	B098500574	SCREW M5X5	1
07	BXF8465009	SHOULDER SCREW M5	1
08	237700002	SOLENOID LEVER	1
09	237700003	LEVER SUPPORT	1
10	B048509094	SCREW M5X10	2
11	237700007	SOLENOID LEVER STUD	1
12	237700006	TORSIONAL SPRING	1
13	237700004	BRACKET	1
14	BX66987009	SUPPORT HOLDER	1
15	B048049094	SCREW M6X10	2
16	BXF8459009	THREAD TRIMMER SHAFT	1
17	BXF8458909	THREAD TRIMMER SHAFT BOARD	1
18	B994448009	WASHER	1
19	B048509094	SCREW M5X10	1
20	XF8451009	CRANK ASSY	1
21	B962551900	RUBBER CUSHION	1
22	BX87665009	MASTER LEVER SHAFT	1
23	B098040474	SCREW M6X6	1
24	BX66986009	SPRING	1
25	BX66985009	TORSIONAL SPRING	1
26	237700005	TENSION RELEASE STUD	1
27	B962338009	PIN ASSY	1
28	BXF8455009	SHOULDER SCREW M4	1
29	B048759894	SCREW M3.5X12	1
30	B089750904	NUT M3.5	1
31	B092049474	BOLT SOCKET M6X16	2
32	BX66984009	THREAD TRIMMER CAM	1
33	B922222089	WASHER 5.3	2
34	B096339088	SCREW SM6.35	2
35	237720000	LENGTH ADJUST CONNECTING ROD ASSY	1
36	208R00007	BALL JOINT LEVER ASSY (R)	1
37	208R00008	BALL JOINT LEVER ASSY (L)	1
38	237720001	ADJUST CONNECTING ROD	1
39	B089040704	NUT M6	1
40	BXF8442009	NUT M6	1
41	BXF8441009	SHOULDER SCREW M6	2
42	237700011	KNIFE CRANK (L)	1
43	B092509674	BOLT SOCKET M5X14	1
			

HEAD - THREAD TRIMMER MECHANISM

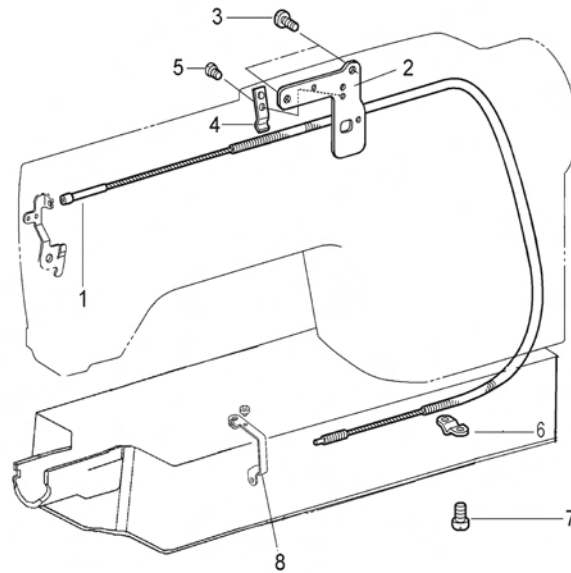


HEAD - THREAD TRIMMER MECHANISM

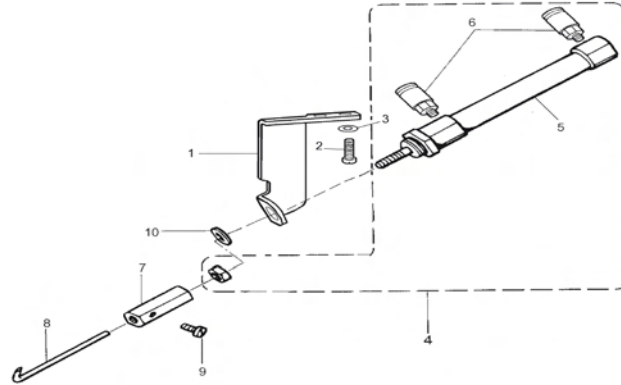


DET	PART NUMBER	DESCRIPTION	QTY.
44	237700010	KNIFE SOLENOID LEVER SHAFT	1
45	500010378	SET COLLAR	1
46	B098500574	SET SCREW M5X5	2
47	B969634009	LIMITED POST	1
48	BX66982009	TORSIONAL SPRING	1
49	BX66981009	KNIFE CRANK ASSY (U)	1
50	B092509674	BOLT SOCKET M5X14	1
	237102000	NEEDLE PLATE COMPONENTS	1
51	BX66979009	MOVABLE KNIFE CONNECTING ROD	1
52	BX66978009	MOVABLE KNIFE ASSY	1
53	BX90802009	WASHER T=0.4	1
	BX90802008	WASHER T=0.5	1
	BX90802007	WASHER T=0.6	1
54	BX90801909	SHOULDER SCREW SM4.37	1
55	BX66976009	FIXED KNIFE	1
56	B999960008	SCREW SM2.38	2
57	BX66974000	PROTECT KNIFE PLATE	1
58	BX66973009	CUSHION BLOCK	1
59	B048440398	SCREW SM3.18-40X7	1
60	BX00305009	WASHER	1
61	1063000	GROUND WIRE ASSY	1
62	B048500294	SCREW M5X8	1
63	W060401046	NYLON CABLE TIE3X80	2
64	108500003	12—CORE CONNECTOR	1
65	108400005	CONNECTOR CAP	1

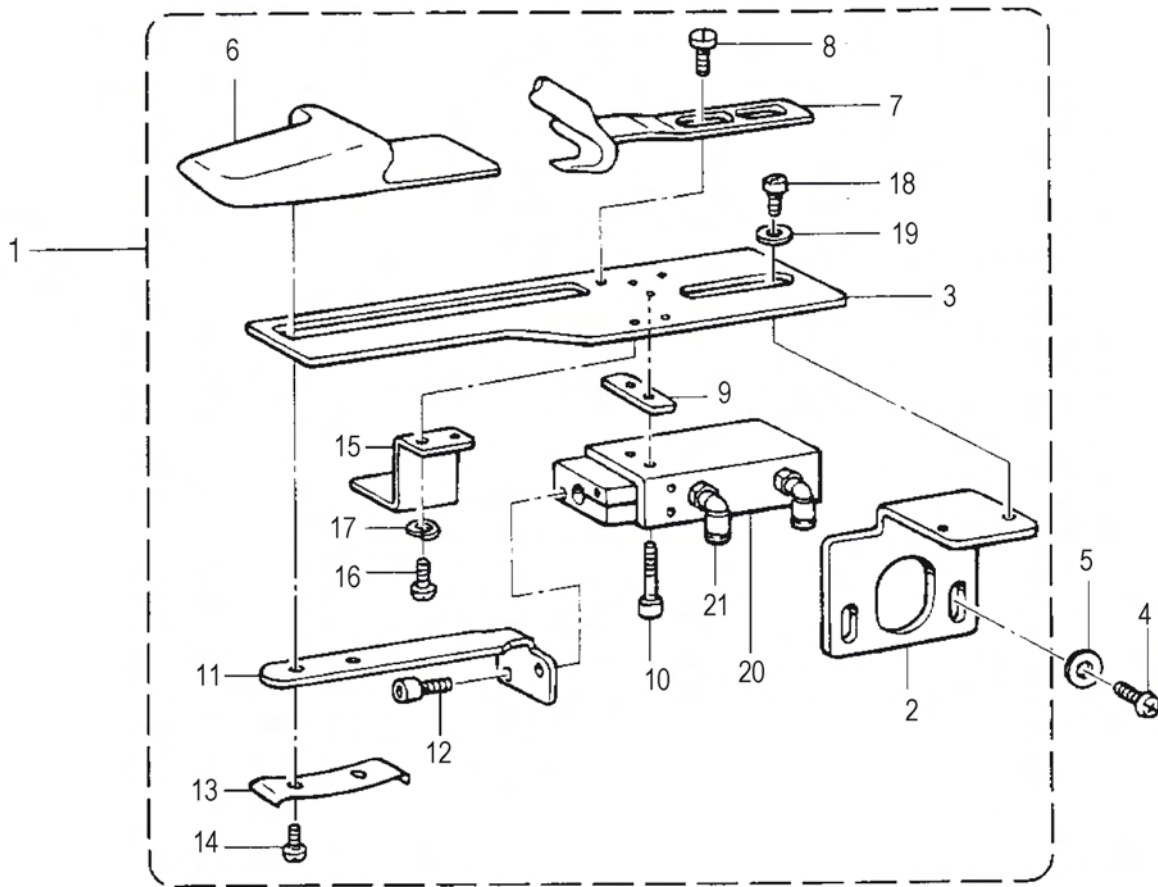
HEAD - TENSION RELEASE MECHANISM



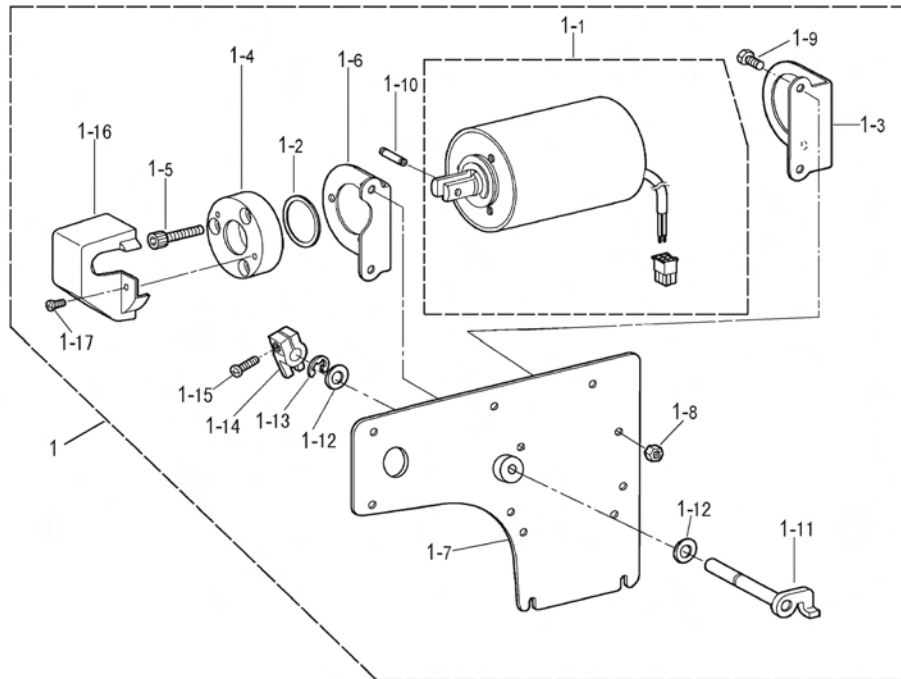
HEAD - THREAD WIPER MECHANISM



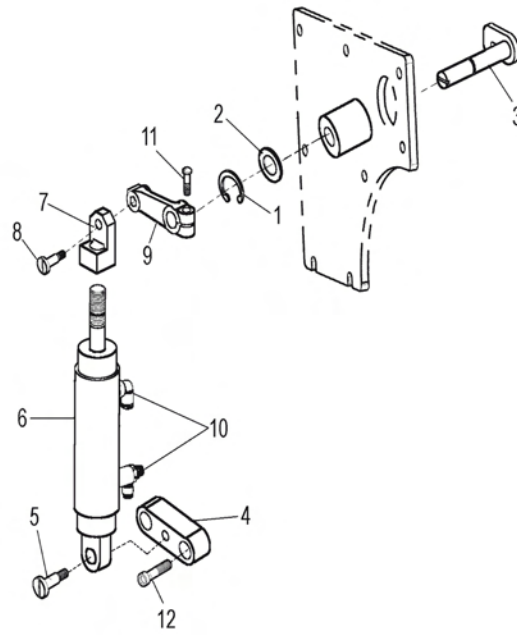
HEAD - CRIMPING DEVICE COMPONENT



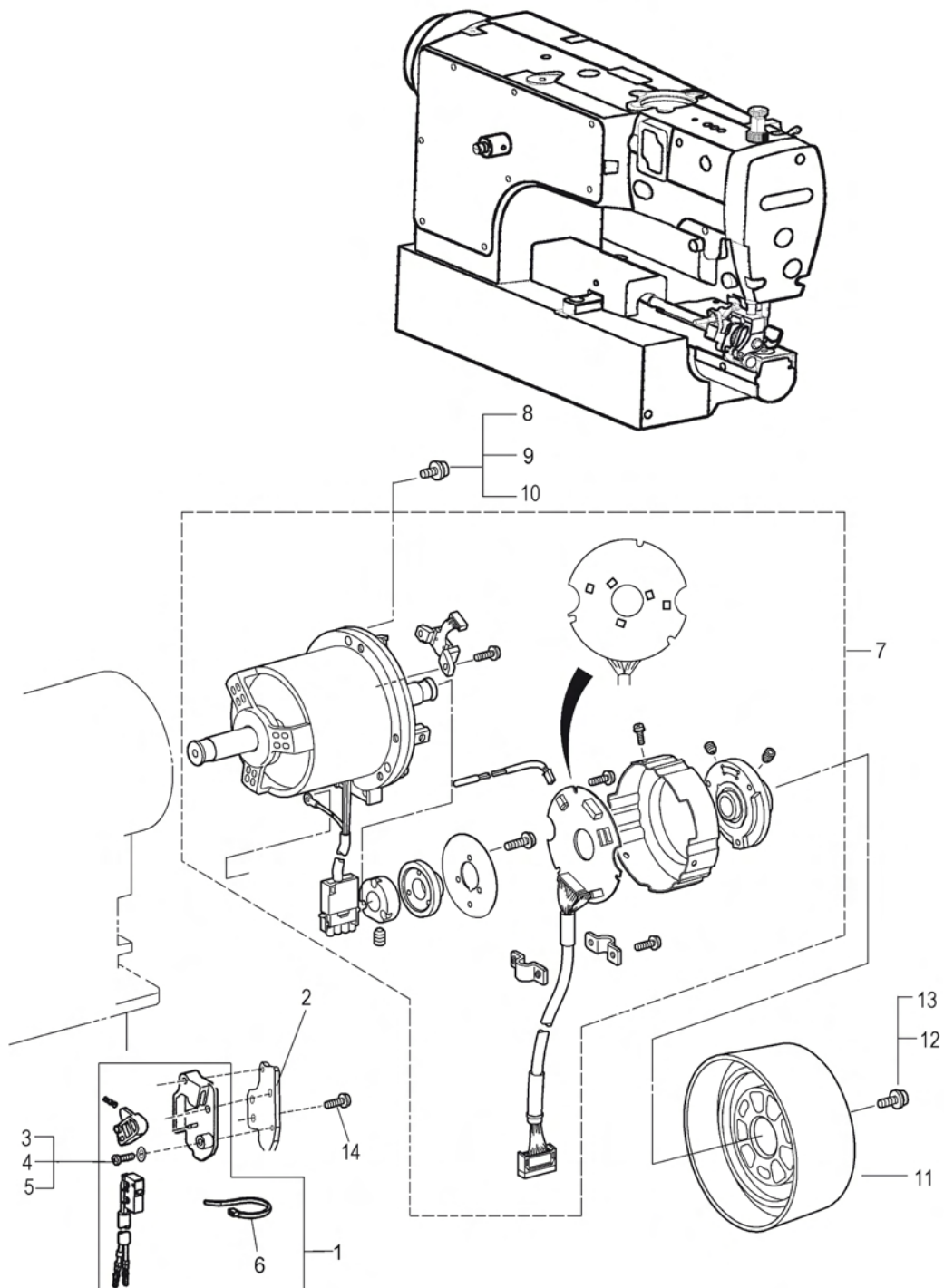
HEAD - ELECTROMAGNETIC CARRIED PRESS FOOT MECHANISM



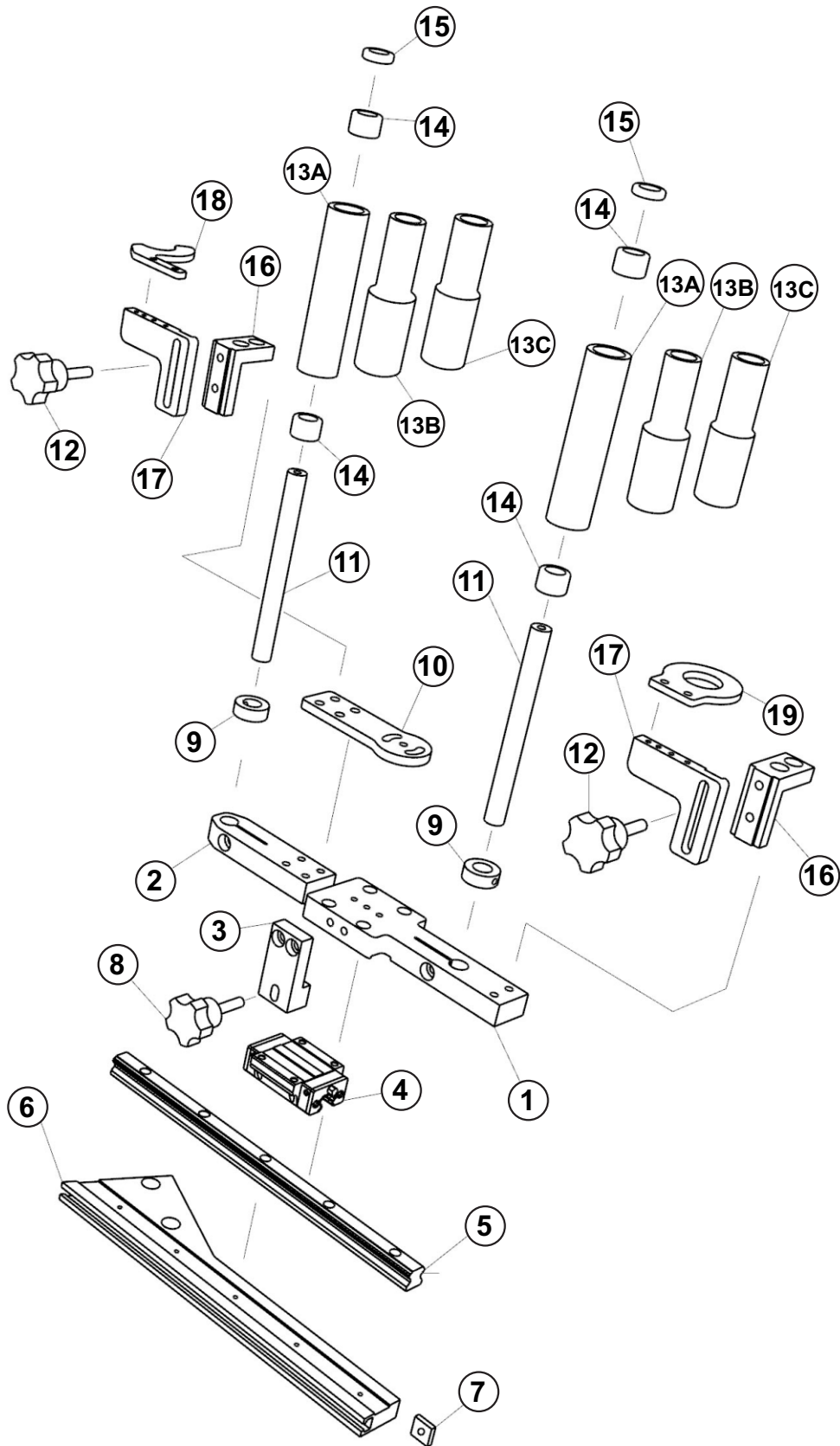
HEAD - PNEUMATIC CARRIED PRESS FOOT MECHANISM



HEAD - CONTROL BOX AND MOTOR MECHANISM



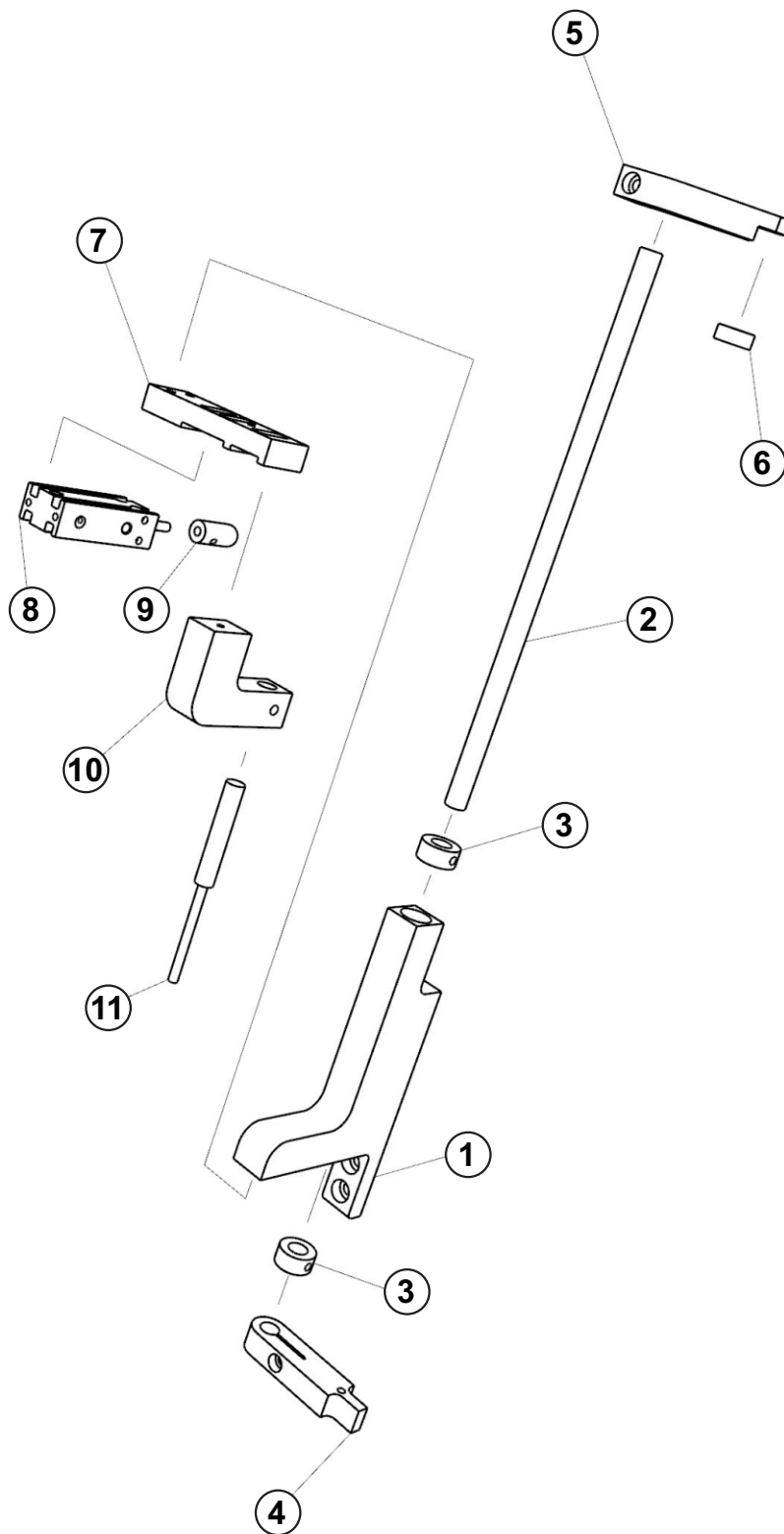
LEFT HEM GUIDE



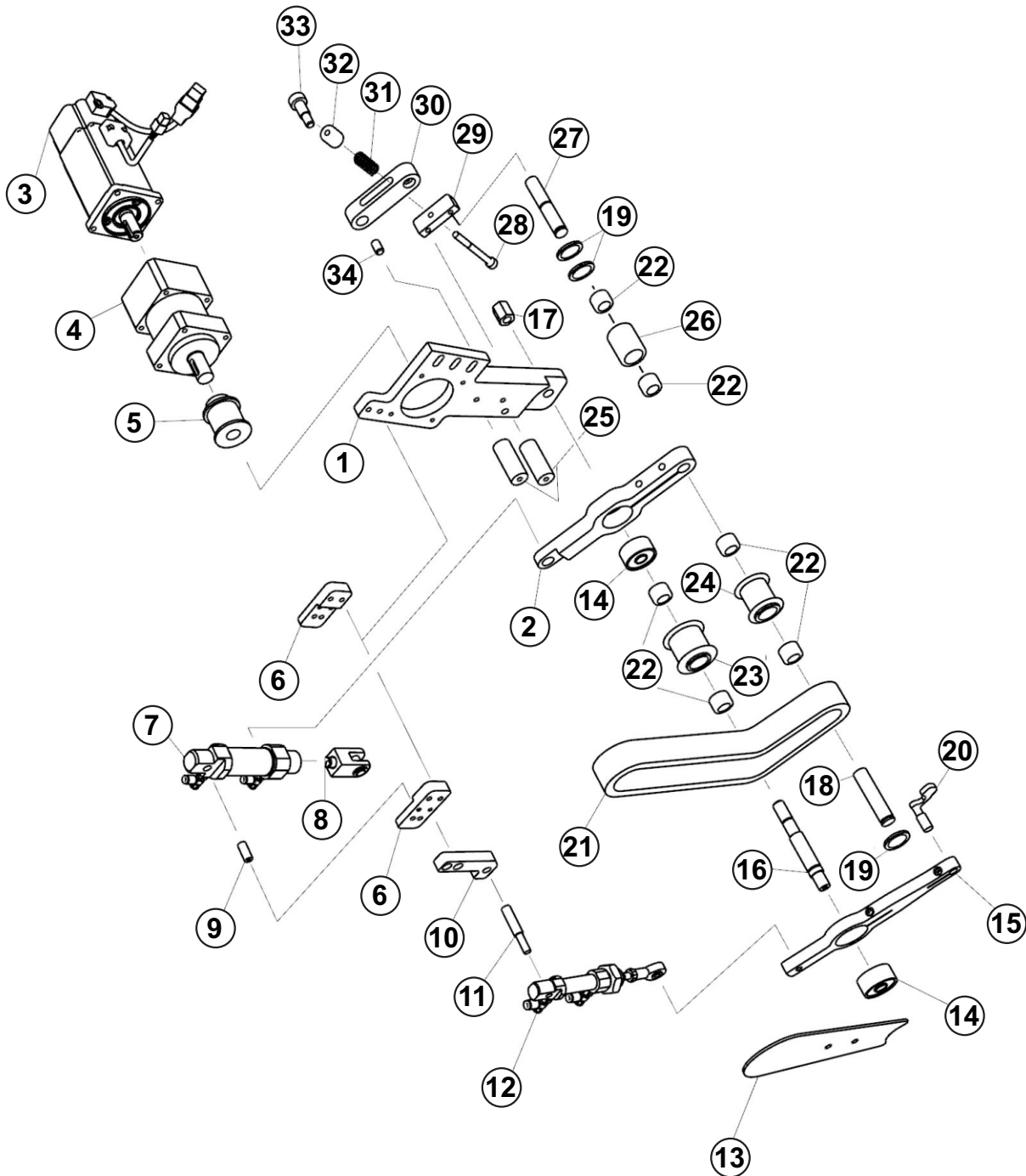
LEFT HEM GUIDE

DET	PART NUMBER	DESCRIPTION	QTY.
1	58.5500.0.002	BOTTOM GUIDE BRACKET	1
2	58.5500.0.003	TOP GUIDE BRACKET	1
3	58.5500.0.004	SCREW HOLDER	1
4	58.5500.0.005	LINEAR GUIDE CARRIAGE	1
5	58.5500.0.006	LINEAR GUIDE RAIL	1
6	58.5500.0.007	MAIN HOLDER	1
7	58.5500.0.008	SPACER	1
8	58.5500.0.009	LOCK SCREW	1
9	58.5500.0.010	COLLAR	2
10	58.5500.0.011	ANGLE HOLDER	1
11	58.5500.0.012	SHAFT	2
12	58.5500.0.013	LOCK SCREW	2
13A	58.5500.0.014	LEFT GUIDE ROLLER A	2
13B	58.5500.0.015	LEFT GUIDE ROLLER B	2
13C	58.5500.0.016	LEFT GUIDE ROLLER C	2
14	58.5500.0.017	COLLAR WIDE	4
15	58.5500.0.018	COLLAR THIN	2
16	58.5500.0.019	BRACKET	2
17	58.5500.0.020	STOP HOLDER	2
18	58.5500.0.021	MATERIAL STOP	1
19	58.5500.0.022	MATERIAL STOP	1

JOINT DETECTOR



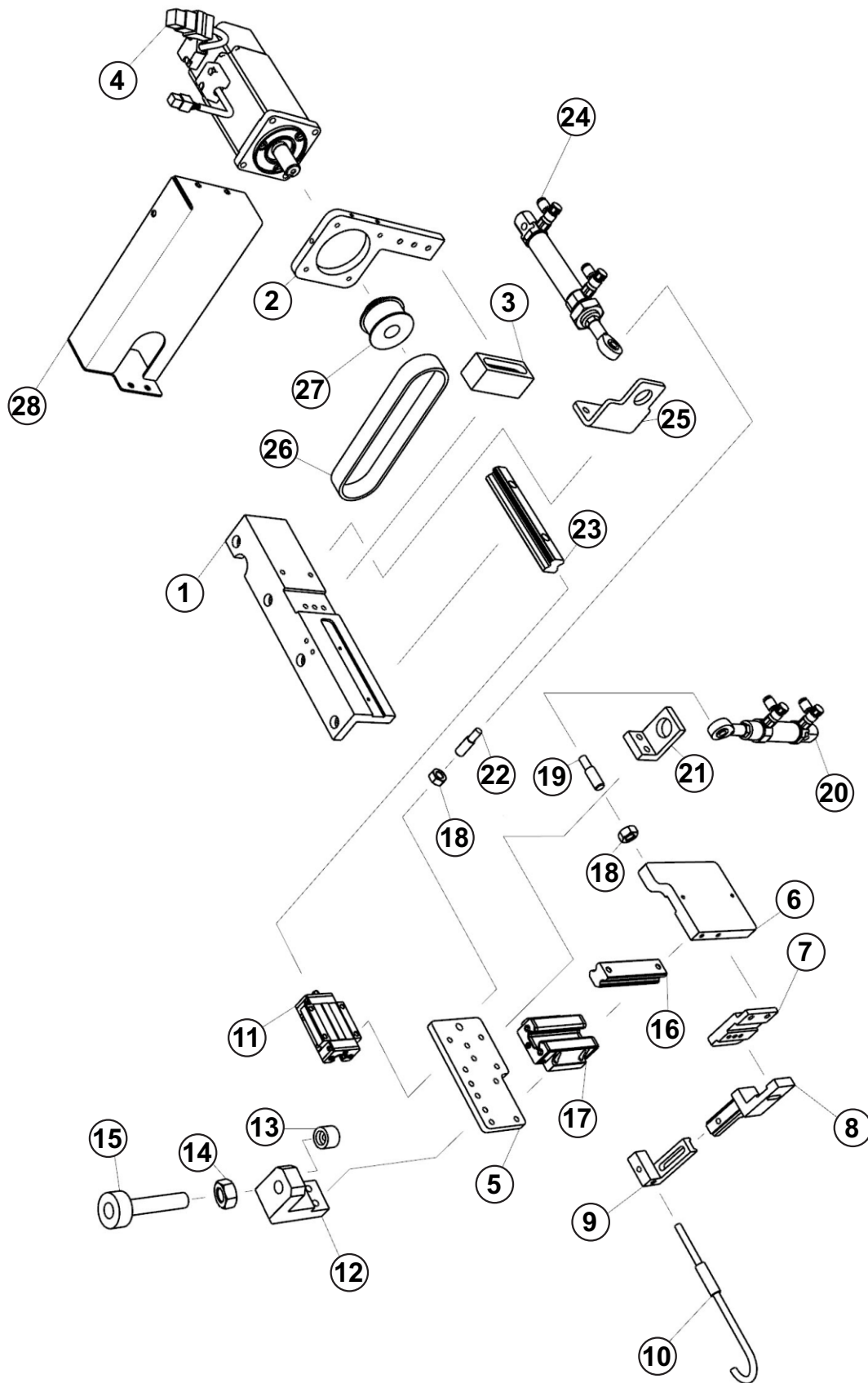
TOP PULLER



TOP PULLER

DET	PART NUMBER	DESCRIPTION	QTY.
01	58.5500.0.185	MAIN HOLDER	1
02	58.5500.0.034	BAR	1
03	58.5500.0.035	SERVO MOTOR	1
04	58.5500.0.036	SERVO MOTOR GEARBOX	1
05	58.5500.0.037	PULLEY	1
06	58.5500.0.038	PISTON HOLDER	2
07	58.5500.0.039	PNEUMATIC PISTON	1
08	58.5500.0.040	PISTON FORK	1
09	58.5500.0.041	PIN	1
10	58.5500.0.042	PISTON HOLDER	1
11	58.5500.0.043	PIN	1
12	58.5500.0.044	PNEUMATIC PISTON	1
13	58.5500.0.045	COVER	1
14	58.5500.0.046	BEARING	2
15	58.5500.0.047	BAR	1
16	58.5500.0.048	SHAFT	1
17	58.5500.0.049	NUT	1
18	58.5500.0.050	SHAFT	1
19	58.5500.0.051	SPACER	3
20	58.5500.0.052	PLATE	1
21	58.5500.0.053	TOP PULLER BELT	1
22	58.5500.0.054	BUSHING	6
23	58.5500.0.055	PULLEY	1
24	58.5500.0.056	PULLEY	1
25	58.5500.0.057	CYLINDER	2
26	58.5500.0.058	ROLLER	1
27	58.5500.0.059	SHAFT	1
28	58.5500.0.060	SCREW	1
29	58.5500.0.061	HOLDER	1
30	58.5500.0.062	BODY	1
31	58.5500.0.063	SCREW	1
32	58.5500.0.064	COLLAR	1
33	58.5500.0.065	SCREW	1
34	58.5500.0.066	PIN	1

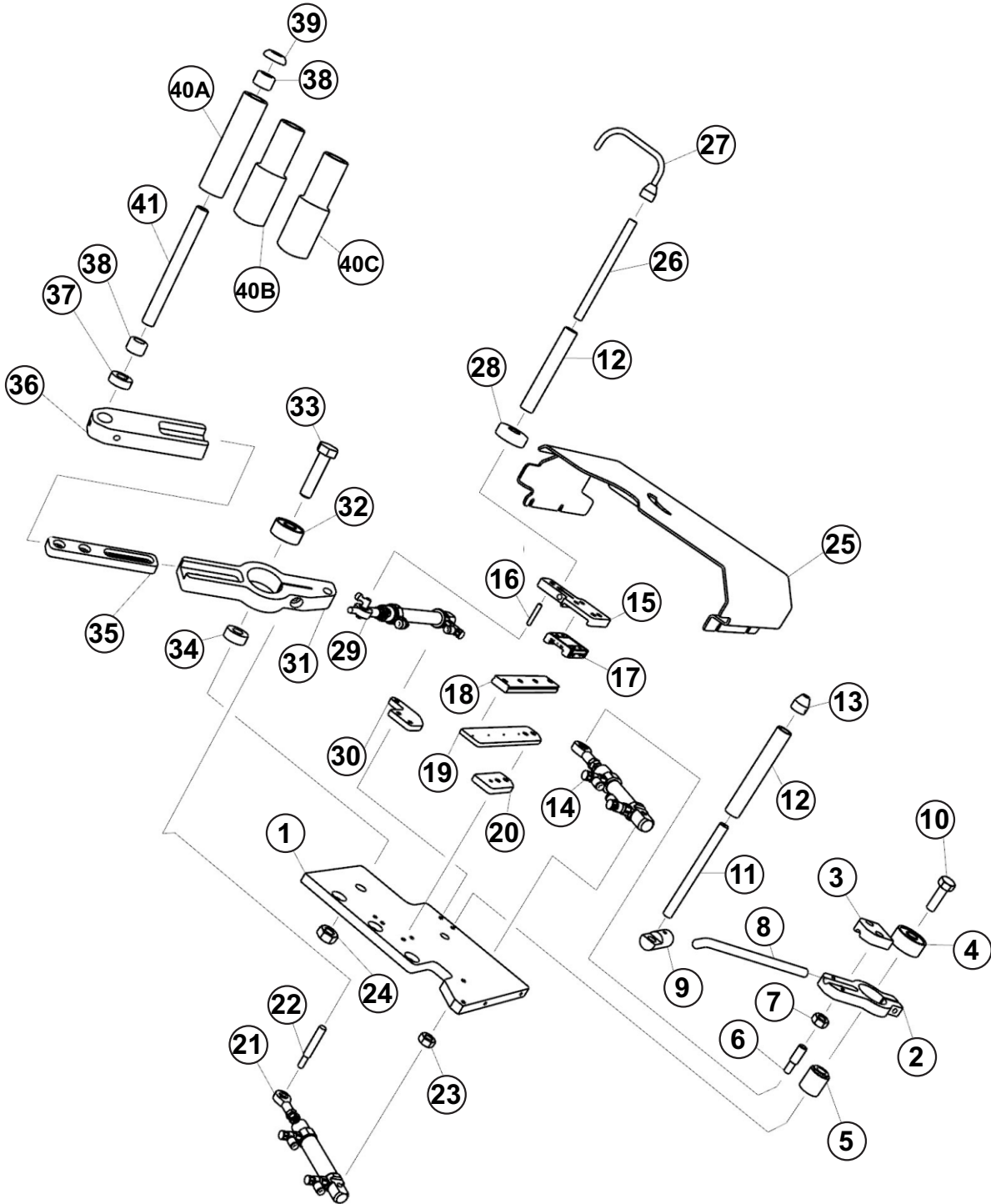
BOTTOM PULLER DRIVE & FOLDING HOOK



BOTTOM PULLER DRIVE & FOLDING HOOK

DET	PART NUMBER	DESCRIPTION	QTY.
01	58.5500.0.067	MAIN BRACKET	1
02	58.5500.0.068	BRACKET	1
03	58.5500.0.069	HOLDER	1
04	58.5500.0.070	SERVO MOTOR	1
05	58.5500.0.071	BRACKET	1
06	58.5500.0.072	HOLDER	1
07	58.5500.0.073	HOLDER	1
08	58.5500.0.074	BRACKET	1
09	58.5500.0.075	POSITION BRACKET	1
10	58.5500.0.076	FOLDING HOOK	1
11	58.5500.0.077	LINEAR GUIDE CARRIAGE	1
12	58.5500.0.078	HOLDER	1
13	58.5500.0.079	COLLAR	1
14	58.5500.0.080	NUT	1
15	58.5500.0.081	SCREW	1
16	58.5500.0.082	LINEAR GUIDE RAIL	1
17	58.5500.0.083	LINEAR GUIDE CARRIAGE	1
18	58.5500.0.084	NUT	2
19	58.5500.0.085	PIN	1
20	58.5500.0.086	PNEUMATIC PISTON	1
21	58.5500.0.087	PISTON HOLDER	1
22	58.5500.0.088	PIN	1
23	58.5500.0.089	LINEAR GUIDE RAIL	1
24	58.5500.0.090	PNEUMATIC PISTON	1
25	58.5500.0.091	PISTON HOLDER	1
26	58.5500.0.092	SERVO BELT	1
27	58.5500.0.093	SERVO MOTOR BELT	1
28	58.5500.0.094	PULLEY	1

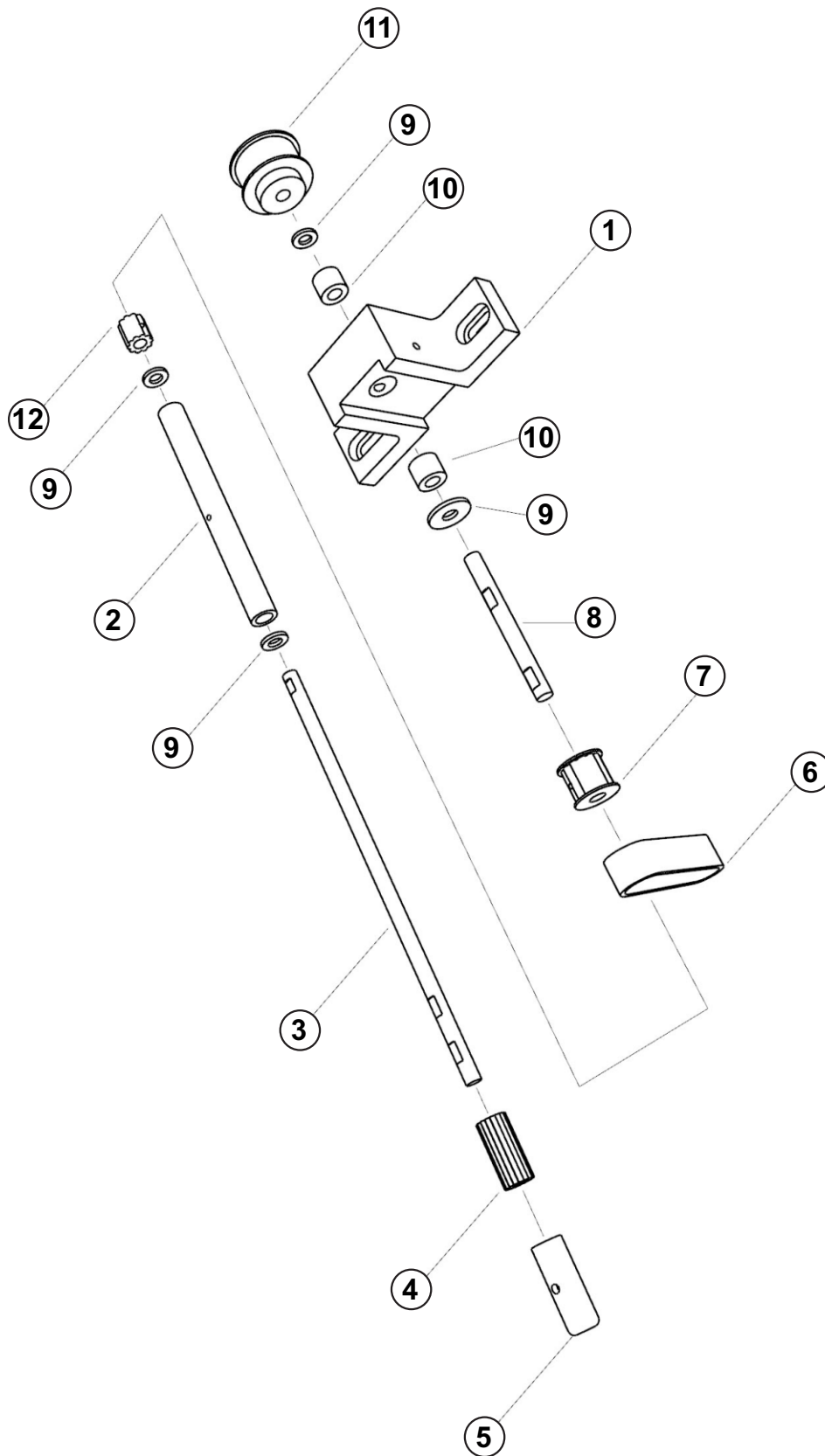
RIGHT-BOTTOM HEM GUIDE



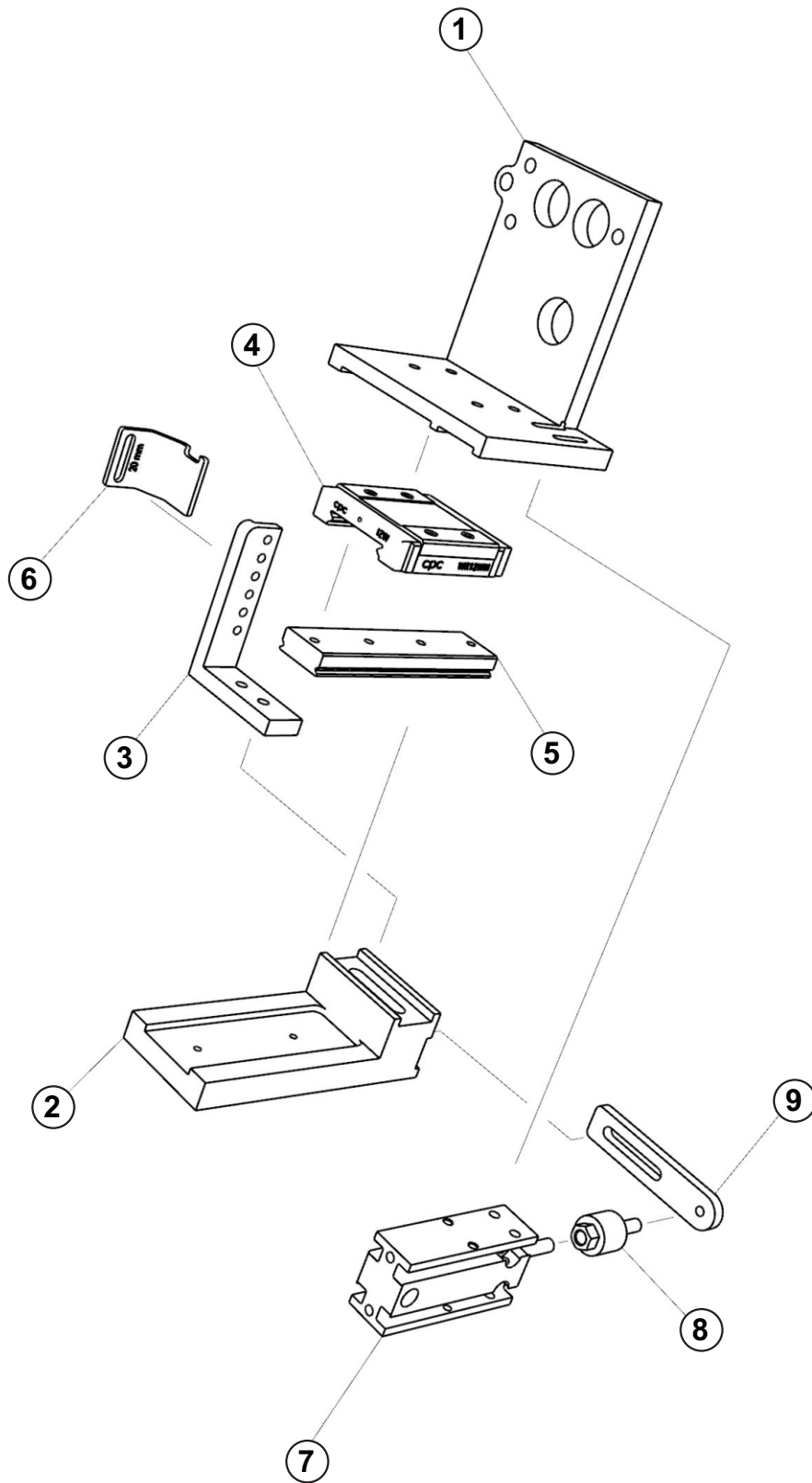
RIGHT-BOTTOM HEM GUIDE

DET	PART NUMBER	DESCRIPTION	QTY.
01	58.5500.0.095	MAIN BRACKET	1
02	58.5500.0.096	BAR	1
03	58.5500.0.097	WIRE RETAINER	1
04	58.5500.0.098	BEARING	1
05	58.5500.0.099	SPACER	1
06	58.5500.0.100	PIN	1
07	58.5500.0.101	NUT	1
08	58.5500.0.102	WIRE	1
09	58.5500.0.103	HOLDER	1
10	58.5500.0.104	SCREW	1
11	58.5500.0.105	SHAFT	1
12	58.5500.0.106	ROLLER	2
13	58.5500.0.107	ENDING	1
14	58.5500.0.108	PNEUMATIC PISTON	1
15	58.5500.0.109	HOLDER	1
16	58.5500.0.110	PIN	1
17	58.5500.0.111	LINEAR GUIDE CARRIAGE	1
18	58.5500.0.112	LINEAR GUIDE RAIL	1
19	58.5500.0.113	LINEAR GUIDE BASE	1
20	58.5500.0.114	HOLDER	1
21	58.5500.0.115	PNEUMATIC PISTON	1
22	58.5500.0.116	PIN	1
23	58.5500.0.117	NUT	1
24	58.5500.0.118	NUT	1
25	58.5500.0.119	COVER	1
26	58.5500.0.120	SHAFT	1
27	58.5500.0.121	WIRE	1
28	58.5500.0.122	COLLAR	1
29	58.5500.0.123	PNEUMATIC PISTON	1
30	58.5500.0.124	HOLDER	1
31	58.5500.0.125	BAR	1
32	58.5500.0.126	BEARING	1
33	58.5500.0.127	SCREW	1
34	58.5500.0.128	COLLAR	1
35	58.5500.0.129	BAR	1
36	58.5500.0.130	BRACKET	1
37	58.5500.0.131	COLLAR WIDE	1
38	58.5500.0.132	COLLAR THIN	2
39	58.5500.0.133	ENDING	1
40A	58.5500.0.134	RIGHT GUIDE ROLLER A	1
40B	58.5500.0.135	RIGHT GUIDE ROLLER B	1
40C	58.5500.0.136	RIGHT GUIDE ROLLER C	1
41	58.5500.0.137	SHAFT	1

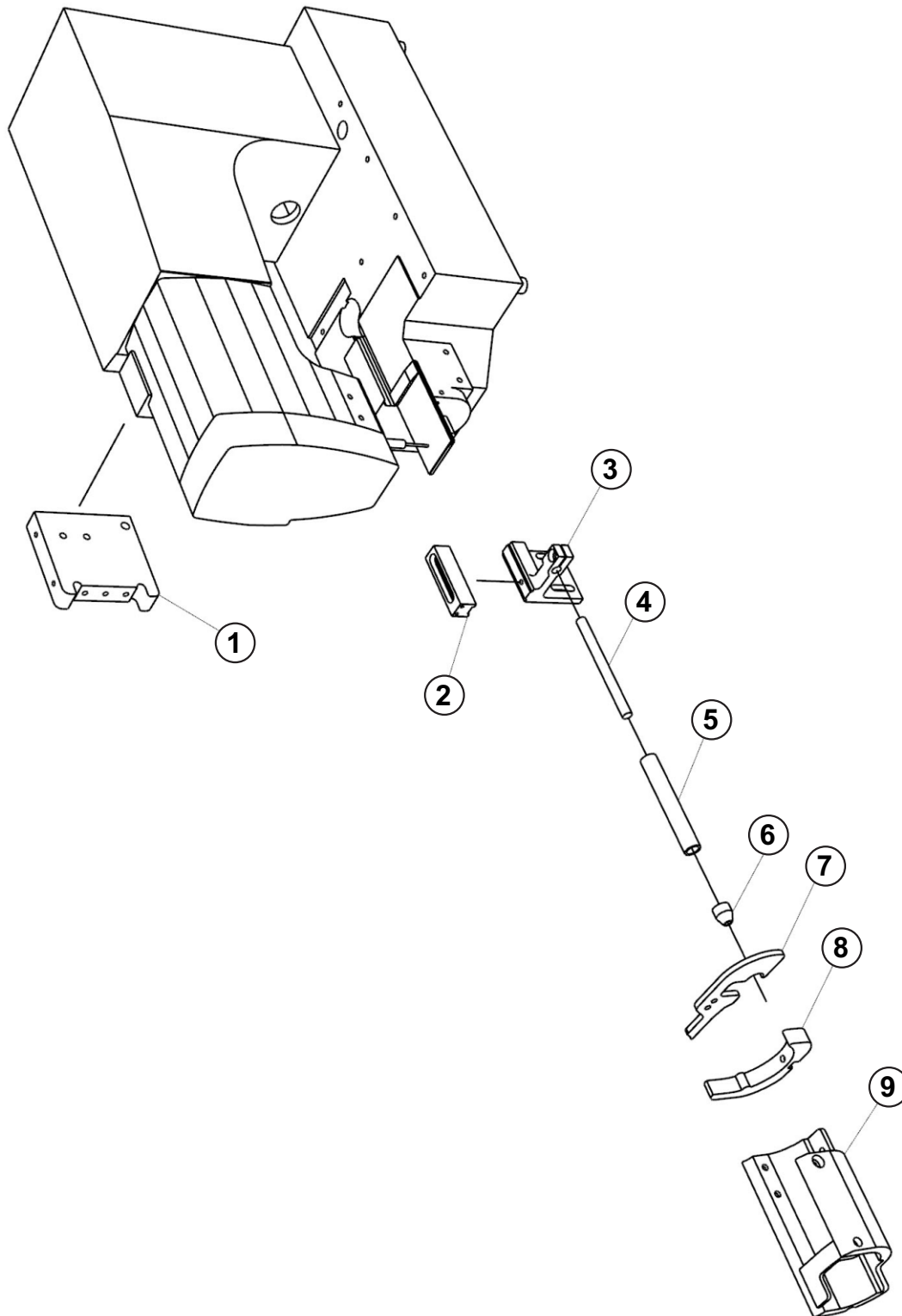
BOTTOM PULLER



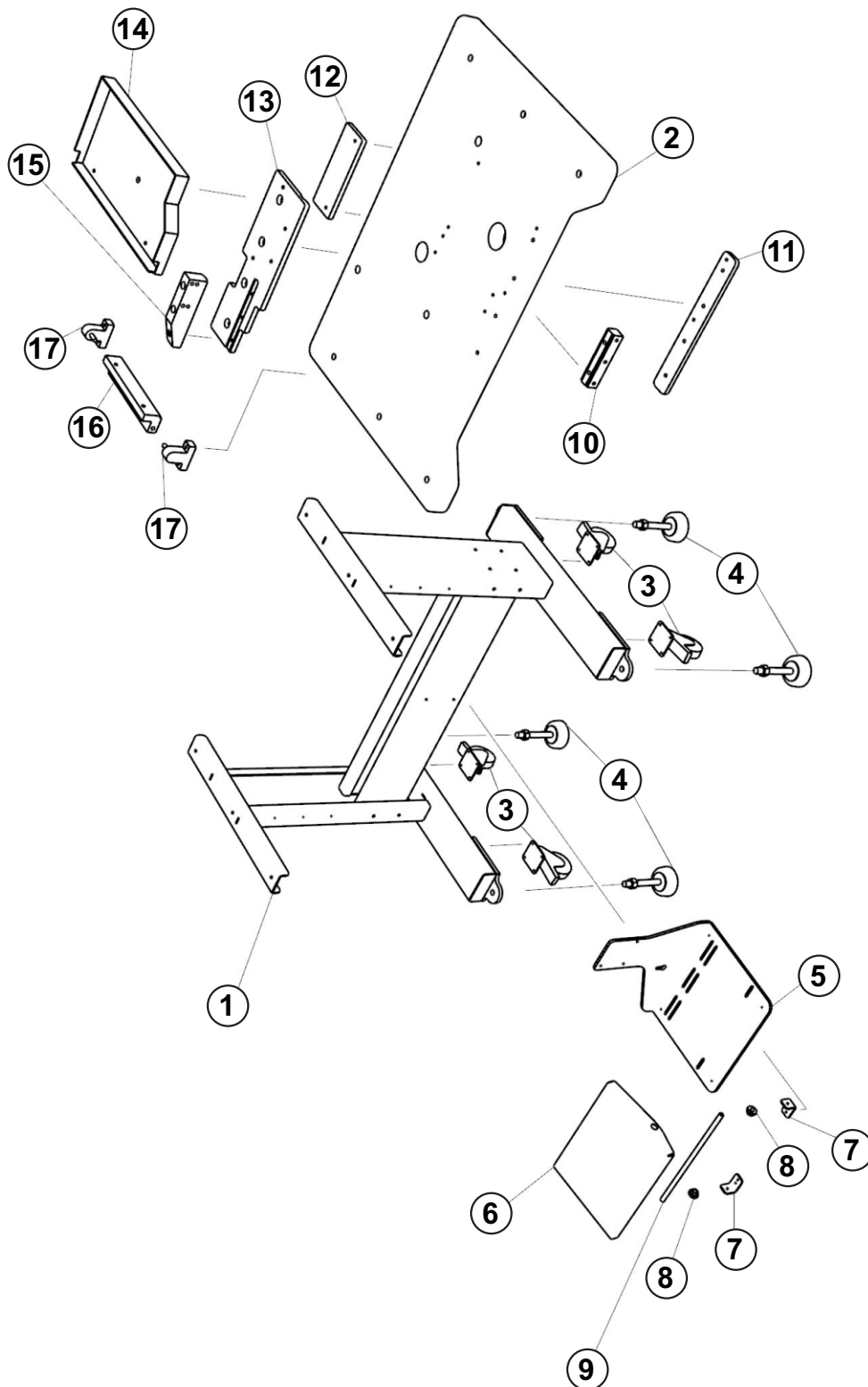
PRESSER FOOT



HOOK HOUSING



MACHINE STAND



INDEX

PART NUMBER	PAGE	DET	QTY	PART NUMBER	PAGE	DET	QTY	PART NUMBER	PAGE	DET	QTY
1063000	3-31	61	1	237300007	3-37	6	1	237900005	3-41	9	1
1500003	3-7	53	1	237300008	3-37	7	1	237900006	3-41	8	1
22730002	3-15	18	1	237300009	3-37	2	1	238100009	3-3	19	1
23780000	3-43	1	1	237310000	3-13	41	1	500010378	3-31	45	1
36400006	3-19	20	1	237400001	3-15	8	1	5150216042	3-43	3	2
36400015	3-21	12	1	237400002	3-15	15	1	BXF3780009	3-19	5	1
108400005	3-31	65	1	237400004	3-15	12	1	BXF3962009	3-19	2	1
108500003	3-31	64	1	237400005	3-9	38	1	022130003--V	3-3	10	2
124510003	3-15	3	1	237400007	3-15	20	1	198K25200	3-43	7	1
217100033	3-27	01-18	1	237400009	3-15	19	1	208R00007	3-29	36	1
217100036	3-19	3	1	237400010	3-15	21	1	208R00008	3-29	37	1
217100038	3-21	31	5	237400011	3-15	22	1	217C00001	3-19	19	1
217100042	3-27	01-14	1	237400012	3-15	39	1	217N00001	3-5	1	1
217100043	3-9	37	1	237400013	3-15	36	1	217N00002	3-5	9	1
217100043	3-15	10	1	237400015	3-15	25	1	217N00005	3-25	22	1
217100049	3-13	19	1	237400016	3-15	26	1	217N00006	3-25	18	1
217101000	3-5	15	1	237400017	3-15	23	1	217N00007	3-25	13	1
217102002	3-27	01-4	1	237400018	3-15	24	1	217N00010	3-9	31	1
230100001	3-3	2	1	237400019	3-15	7	1	217N00016	3-9	16	1
230100007	3-43	11	1	237400021	3-15	41	1	217N00020	3-9	25	1
230100013	3-43	13	3	237400022	3-15	32	1	217N00021	3-15	4	1
230100014	3-21	25	1	237400023	3-15	40	1	217N00022	3-15	1	1
230100019	3-3	9	4	237410000	3-17	49	2	217N00025	3-3	13	1
230100019	3-25	19	1	237420000	3-17	50	1	217N01100	3-5	17	1
230100021	3-13	7	1	237430000	3-17	51	1	217N20001	3-33	1	1
230120001	3-21	36	1	237500001	3-19	1	1	217N20002	3-33	2	1
230121000	3-21	21	1	237500002	3-19	4	1	217N20005	3-21	9	1
230121002	3-21	24	2	237600001	3-23	47	1	217N30001	3-33	4	1
230121003	3-23	55	1	237600002	3-23	50	1	217N31000	3-39	1	1
230121005	3-21	23	1	237700001	3-29	3	1	217N31100	3-39	01-7	1
230121100	3-21	22	1	237700002	3-29	8	1	217N31101	3-3	4	1
230122000	3-21	39	1	237700003	3-29	9	1	217N31103	3-39	01-11	1
237000002	3-3	1	4	237700004	3-29	13	1	217N31103	3-41	3	1
237102000	3-31	0	1	237700005	3-29	26	1	58.5500.0.002	3-45	1	1
237200001	3-5	39	1	237700006	3-29	12	1	58.5500.0.003	3-45	2	1
237200002	3-7	48	1	237700007	3-29	11	1	58.5500.0.004	3-45	3	1
237200003	3-7	52	1	237700010	3-31	44	1	58.5500.0.005	3-45	4	1
237200003	3-7	54	1	237700011	3-29	42	1	58.5500.0.006	3-45	5	1
237200004	3-3	12	1	237720000	3-29	35	1	58.5500.0.007	3-45	6	1
237200005	3-21	16	1	237720001	3-29	38	1	58.5500.0.008	3-45	7	1
237300001	3-13	1	1	237800002	3-43	2	1	58.5500.0.009	3-45	8	1
237300002	3-13	30	1	237900001	3-35	1	1	58.5500.0.010	3-45	9	2
237300003	3-13	31	1	237900002	3-41	4	1	58.5500.0.011	3-45	10	1
237300005	3-13	38	1	237900003	3-41	7	1	58.5500.0.012	3-45	11	2
237300006	3-15	27	1	237900004	3-41	5	1	58.5500.0.013	3-45	12	2

INDEX

PART NUMBER	PAGE	DET	QTY	PART NUMBER	PAGE	DET	QTY	PART NUMBER	PAGE	DET	QTY
58.5500.0.014	3-45	13A	2	58.5500.0.059	3-49	27	1	58.5500.0.104	3-53	10	1
58.5500.0.015	3-45	13B	2	58.5500.0.060	3-49	28	1	58.5500.0.105	3-53	11	1
58.5500.0.016	3-45	13C	2	58.5500.0.061	3-49	29	1	58.5500.0.106	3-53	12	2
58.5500.0.017	3-45	14	4	58.5500.0.062	3-49	30	1	58.5500.0.107	3-53	13	1
58.5500.0.018	3-45	15	2	58.5500.0.063	3-49	31	1	58.5500.0.108	3-53	14	1
58.5500.0.019	3-45	16	2	58.5500.0.064	3-49	32	1	58.5500.0.109	3-53	15	1
58.5500.0.020	3-45	17	2	58.5500.0.065	3-49	33	1	58.5500.0.110	3-53	16	1
58.5500.0.021	3-45	18	1	58.5500.0.066	3-49	34	1	58.5500.0.111	3-53	17	1
58.5500.0.022	3-45	19	1	58.5500.0.067	3-51	1	1	58.5500.0.112	3-53	18	1
58.5500.0.023	3-47	1	1	58.5500.0.068	3-51	2	1	58.5500.0.113	3-53	19	1
58.5500.0.024	3-47	2	1	58.5500.0.069	3-51	3	1	58.5500.0.114	3-53	20	1
58.5500.0.025	3-47	3	2	58.5500.0.070	3-51	4	1	58.5500.0.115	3-53	21	1
58.5500.0.026	3-47	4	1	58.5500.0.071	3-51	5	1	58.5500.0.116	3-53	22	1
58.5500.0.027	3-47	5	1	58.5500.0.072	3-51	6	1	58.5500.0.117	3-53	23	1
58.5500.0.028	3-47	6	1	58.5500.0.073	3-51	7	1	58.5500.0.118	3-53	24	1
58.5500.0.029	3-47	7	1	58.5500.0.074	3-51	8	1	58.5500.0.119	3-53	25	1
58.5500.0.030	3-47	8	1	58.5500.0.075	3-51	9	1	58.5500.0.120	3-53	26	1
58.5500.0.031	3-47	9	1	58.5500.0.076	3-51	10	1	58.5500.0.121	3-53	27	1
58.5500.0.032	3-47	10	1	58.5500.0.077	3-51	11	1	58.5500.0.122	3-53	28	1
58.5500.0.033	3-47	11	1	58.5500.0.078	3-51	12	1	58.5500.0.123	3-53	29	1
58.5500.0.034	3-49	2	1	58.5500.0.079	3-51	13	1	58.5500.0.124	3-53	30	1
58.5500.0.035	3-49	3	1	58.5500.0.080	3-51	14	1	58.5500.0.125	3-53	31	1
58.5500.0.036	3-49	4	1	58.5500.0.081	3-51	15	1	58.5500.0.126	3-53	32	1
58.5500.0.037	3-49	5	1	58.5500.0.082	3-51	16	1	58.5500.0.127	3-53	33	1
58.5500.0.038	3-49	6	2	58.5500.0.083	3-51	17	1	58.5500.0.128	3-53	34	1
58.5500.0.039	3-49	7	1	58.5500.0.084	3-51	18	2	58.5500.0.129	3-53	35	1
58.5500.0.040	3-49	8	1	58.5500.0.085	3-51	19	1	58.5500.0.130	3-53	36	1
58.5500.0.041	3-49	9	1	58.5500.0.086	3-51	20	1	58.5500.0.131	3-53	37	1
58.5500.0.042	3-49	10	1	58.5500.0.087	3-51	21	1	58.5500.0.132	3-53	38	2
58.5500.0.043	3-49	11	1	58.5500.0.088	3-51	22	1	58.5500.0.133	3-53	39	1
58.5500.0.044	3-49	12	1	58.5500.0.089	3-51	23	1	58.5500.0.134	3-53	40A	1
58.5500.0.045	3-49	13	1	58.5500.0.090	3-51	24	1	58.5500.0.135	3-53	40B	1
58.5500.0.046	3-49	14	2	58.5500.0.091	3-51	25	1	58.5500.0.136	3-53	40C	1
58.5500.0.047	3-49	15	1	58.5500.0.092	3-51	26	1	58.5500.0.137	3-53	41	1
58.5500.0.048	3-49	16	1	58.5500.0.093	3-51	27	1	58.5500.0.138	3-55	1	1
58.5500.0.049	3-49	17	1	58.5500.0.094	3-51	28	1	58.5500.0.139	3-55	2	1
58.5500.0.050	3-49	18	1	58.5500.0.095	3-53	1	1	58.5500.0.140	3-55	3	1
58.5500.0.051	3-49	19	3	58.5500.0.096	3-53	2	1	58.5500.0.141	3-55	4	1
58.5500.0.052	3-49	20	1	58.5500.0.097	3-53	3	1	58.5500.0.142	3-55	5	1
58.5500.0.053	3-49	21	1	58.5500.0.098	3-53	4	1	58.5500.0.143	3-55	6	1
58.5500.0.054	3-49	22	6	58.5500.0.099	3-53	5	1	58.5500.0.144	3-55	7	1
58.5500.0.055	3-49	23	1	58.5500.0.100	3-53	6	1	58.5500.0.145	3-55	8	1
58.5500.0.056	3-49	24	1	58.5500.0.101	3-53	7	1	58.5500.0.146	3-55	9	4
58.5500.0.057	3-49	25	2	58.5500.0.102	3-53	8	1	58.5500.0.147	3-55	10	2
58.5500.0.058	3-49	26	1	58.5500.0.103	3-53	9	1	58.5500.0.148	3-55	11	1

INDEX

PART NUMBER	PAGE	DET	QTY	PART NUMBER	PAGE	DET	QTY	PART NUMBER	PAGE	DET	QTY
58.5500.0.149	3-55	12	1	B040500494	3-25	15	1	B048759894	3-29	29	1
58.5500.0.150	3-57	1	1	B040600294	3-33	7	2	B062020768	3-39	01-13	1
58.5500.0.151	3-57	2	1	B040600594	3-21	10	1	B062020768	3-41	1	1
58.5500.0.152	3-57	3	1	B040600594	3-33	5	1	B062020968	3-9	9	2
58.5500.0.153	3-57	4	1	B040600694	3-11	65	1	B062040768	3-5	14	1
58.5500.0.154	3-57	5	1	B040609094	3-43	12	3	B062050768	3-13	22	2
58.5500.0.155	3-57	6	1	B040750494	3-25	21	1	B062060768	3-11	49	1
58.5500.0.156	3-57	7	1	B048049094	3-29	15	2	B062060768	3-27	01-1	1
58.5500.0.157	3-57	8	1	B048049094	3-37	4	2	B062060768	3-27	01-12	1
58.5500.0.158	3-57	9	1	B048049494	3-9	24	1	B062980968	3-7	41	1
58.5500.0.159	3-59	1	1	B048420298	3-37	18	2	B082050864	3-21	19	2
58.5500.0.160	3-59	2	1	B048420598	3-19	18	1	B082050864	3-43	9	3
58.5500.0.161	3-59	3	1	B048440398	3-31	59	1	B084050974	3-13	4	1
58.5500.0.162	3-59	4	1	B048500294	3-9	14	1	B084050974	3-43	10	3
58.5500.0.163	3-59	5	1	B048500294	3-11	59	2	B084060874	3-15	43	4
58.5500.0.164	3-59	6	1	B048500294	3-33	3	2	B085040974	3-27	01-13	2
58.5500.0.165	3-59	7	1	B048500294	3-43	14	2	B085040974	3-37	5	2
58.5500.0.166	3-59	8	1	B048500294	3-31	62	1	B085050874	3-21	20	2
58.5500.0.167	3-59	9	1	B048500494	3-9	33	2	B085050874	3-35	3	2
58.5500.0.168	3-61	1	1	B048500494	3-13	3	1	B085060878	3-5	32	3
58.5500.0.169	3-61	2	1	B048500494	3-21	2	2	B085060878	3-11	48	1
58.5500.0.170	3-61	3	2	B048500494	3-21	8	1	B085900978	3-35	10	1
58.5500.0.171	3-61	4	2	B048500494	3-23	44	4	B089040704	3-13	34	1
58.5500.0.172	3-61	5	1	B048500494	3-27	5	1	B089040704	3-39	01-8	4
58.5500.0.173	3-61	6	1	B048500494	3-25	17	1	B089040704	3-29	39	1
58.5500.0.174	3-61	7	2	B048509094	3-29	10	2	B089500904	3-13	43	1
58.5500.0.175	3-61	8	2	B048509094	3-29	19	1	B089750904	3-29	30	1
58.5500.0.176	3-61	9	1	B048509294	3-25	23	1	B092049474	3-17	48	1
58.5500.0.177	3-61	10	1	B048509694	3-23	51	6	B092049474	3-29	31	2
58.5500.0.178	3-61	11	1	B048509694	3-41	11	1	B092049474	3-41	12	2
58.5500.0.179	3-61	12	1	B048509894	3-3	3	9	B092049874	3-15	44	2
58.5500.0.180	3-61	13	1	B048509894	3-21	18	2	B092049874	3-29	4	2
58.5500.0.181	3-61	14	1	B048509894	3-39	01-15	1	B092509474	3-11	66	1
58.5500.0.182	3-61	15	1	B048600294	3-15	30	2	B092509474	3-13	40	1
58.5500.0.183	3-61	16	1	B048600494	3-3	15	3	B092509674	3-9	3	1
58.5500.0.184	3-61	17	2	B048600494	3-9	35	1	B092509674	3-15	16	1
58.5500.0.185	3-49	1	1	B048600494	3-15	35	2	B092509674	3-29	43	1
B029002030	3-21	26	2	B048600494	3-15	37	4	B092509674	3-31	50	1
B029002030	3-23	46	1	B048600494	3-23	54	1	B092600578	3-13	18	1
B029006030	3-21	11	2	B048607598	3-5	30	3	B092600578	3-15	31	1
B029006230	3-21	17	1	B048609894	3-11	68	2	B092609074	3-15	42	4
B029081230	3-23	52	1	B048609894	3-13	32	1	B096339088	3-29	34	2
B029085230	3-19	7	1	B048700694	3-37	16	2	B096700678	3-9	40	1
B029088230	3-21	38	1	B048750494	3-9	30	2	B097350598	3-13	42	2
B029095230	3-21	42	1	B048759894	3-13	27	1	B098040474	3-29	23	1

INDEX

PART NUMBER	PAGE	DET	QTY	PART NUMBER	PAGE	DET	QTY	PART NUMBER	PAGE	DET	QTY
B098040574	3-9	11	4	B990949006	3-33	8	2	BX66979009	3-31	51	1
B098040574	3-15	38	2	B993174009—V	3-3	7	3	BX66981009	3-31	49	1
B098040574	3-19	14	1	B994188009	3-25	26	1	BX66982009	3-31	48	1
B098049074	3-5	19	2	B994448009	3-29	18	1	BX66984009	3-29	32	1
B098500574	3-5	22	1	B995507009	3-37	8	2	BX66985009	3-29	25	1
B098500574	3-9	1	9	B996816009	3-25	32	1	BX66986009	3-29	24	1
B098500574	3-11	56	4	B999960008	3-31	56	2	BX66987009	3-29	14	1
B098500574	3-13	15	1	BX00305009	3-31	60	1	BX69529000	3-35	4	1
B098500574	3-15	11	3	BX02006089	3-21	4	1	BX71270909	3-17	47	1
B098500574	3-15	14	2	BX03750009	3-13	21	1	BX72397900	3-5	29	1
B098500574	3-15	28	1	BX06478909	3-25	25	1	BX72398009	3-5	28	1
B098500574	3-15	33	16	BX08480009	3-25	31	1	BX76758909—V	3-3	18	1
B098500574	3-27	13	1	BX09414009	3-13	39	1	BX78847009—V	3-3	6	1
B098500574	3-29	6	1	BX09691000	3-25	10	1	BX79004089	3-13	26	1
B098500574	3-25	8	1	BX50012009	3-15	5	1	BX79078009—W	3-27	9	1
B098500574	3-31	46	2	BX55455809	3-25	24	1	BX79078009—W	3-25	27	1
B098600674	3-5	12	2	BX59838000	3-21	41	1	BX80754009	3-9	4	1
B098600674	3-9	15	1	BX60172009	3-25	33	1	BX80754009	3-39	01-12	2
B098600674	3-9	32	2	BX63501009	3-21	40	1	BX80754009	3-41	2	2
B900078006	3-5	36	2	BX63502909	3-17	46	1	BX85321000	3-27	01-7	1
B900608006	3-25	34	1	BX63774009	3-15	45	1	BX85608000	3-19	6	1
B900609089	3-27	8	1	BX65273009	3-13	29	1	BX85609900	3-7	42	1
B900740007	3-5	38	2	BX65547009	3-25	2	1	BX85720609	3-21	13	1
B900782009	3-15	6	1	BX66002000	3-3	16	1	BX85728009	3-21	29	5
B906289009	3-21	15	1	BX66013009	3-37	3	1	BX85790909	3-11	71	3
B906650909—V	3-3	5	6	BX66015009	3-37	1	1	BX85863009	3-5	17-1	1
B908470009	3-5	20	1	BX66019000	3-15	34	1	BX85874009	3-5	3	1
B922222089	3-29	33	2	BX66021009	3-15	29	1	BX85874009	3-9	28	2
B951205009	3-25	29	1	BX66073009	3-13	37	1	BX85875009	3-5	2	1
B956403909	3-33	6	1	BX66074009	3-13	36	1	BX87459009	3-5	4	5
B956511000	3-29	2	1	BX66080009	3-3	14	1	BX87459009	3-5	27	4
B959516009	3-5	24	1	BX66090009—V	3-3	8	1	BX87459009	3-7	44	2
B960557908	3-5	25	1	BX66091009	3-5	37	1	BX87459009	3-7	46	2
B960557908	3-35	9	1	BX66092009	3-5	35	1	BX87459009	3-7	49	2
B960603009	3-13	8	1	BX66903909	3-19	17	1	BX87459009	3-9	7	3
B962338009	3-29	27	1	BX66905009	3-37	15	1	BX87459009	3-9	27	1
B962551900	3-29	21	1	BX66906009	3-37	13	1	BX87459009	3-19	10	2
B964756009	3-37	19	2	BX66908009	3-37	11	1	BX87459009	3-19	16	2
B965664009	3-27	7	2	BX66909009	3-37	9	1	BX87665009	3-29	22	1
B965664009	3-25	30	1	BX66960009	3-35	7	1	BX90801909	3-31	54	1
B966234009	3-21	14	1	BX66969000	3-35	8	1	BX90802007	3-31	0	1
B966506009	3-25	7	1	BX66973009	3-31	58	1	BX90802008	3-31	0	1
B969634009	3-31	47	1	BX66974000	3-31	57	1	BX90802009	3-31	53	1
B969802009	3-13	6	1	BX66976009	3-31	55	1	BX94467001	3-39	01-16	1
B990743009	3-9	39	6	BX66978009	3-31	52	1	BX94470059	3-39	01-10	1

INDEX

PART NUMBER	PAGE	DET	QTY	PART NUMBER	PAGE	DET	QTY	PART NUMBER	PAGE	DET	QTY
BX94481959	3-39	01-4	1	BXF6507009	3-11	62	1	BXF9127009	3-27	01-10	1
BX94485050	3-39	01-2	1	BXF6522009	3-11	55	2	BXF9128909	3-27	01-9	1
BX94746009	3-13	35	1	BXF6522009	3-15	13	1	BXF9129909	3-27	01-8	1
BX98669009	3-27	10	1	BXF6611009	3-9	34	1	BXF9132009	3-27	01-3	1
BX98669009	3-25	28	1	BXF6616009	3-15	2	1	BXF9134009	3-27	01-2	1
BXF3268009	3-9	10	5	BXF6627009	3-13	10	1	BXF9136009	3-27	01-24	1
BXF3284009	3-11	54	1	BXF6700009	3-11	69	1	BXF9137009	3-27	01-23	1
BXF3285009	3-5	6	1	BXF6708009	3-9	43	1	BXF9138009	3-27	01-22	1
BXF3296009	3-3	11	1	BXF6709009	3-11	70	1	BXF9139909—W	3-27	1	1
BXF3484009	3-5	16-1	1	BXF6812009	3-11	67	1	BXF9168009	3-39	01-1	1
BXF3552009	3-9	42	1	BXF6815009	3-11	57	1	BXF9703009	3-21	35	1
BXF3603909	3-13	11	1	BXF6816009	3-11	58	1	BXF9707009	3-21	28	1
BXF3604909	3-13	13	1	BXF6830009	3-21	5	1	BXF9707009	3-23	45	1
BXF3609909	3-11	47	1	BXF6854909	3-13	33	1	BXF9722009	3-23	53	1
BXF3625909	3-11	53	1	BXF7055909	3-21	27	2	BXF9740909	3-27	4	1
BXF3627809	3-11	52	1	BXF7055909	3-21	37	1	BXF9751009	3-27	3	1
BXF3639009	3-9	17	1	BXF7953009	3-21	34	1	BXF9751009	3-25	9	1
BXF3639009	3-11	44	1	BXF8441009	3-29	41	2	BXF9765009	3-25	14	1
BXF3650009	3-5	21	1	BXF8442009	3-29	40	1	BXF9767009	3-25	12	1
BXF3690809	3-21	1	1	BXF8455009	3-29	28	1	BXF9768001	3-25	16	1
BXF3714909	3-11	45	1	BXF8458909	3-29	17	1	BXF9772009	3-39	01-14	1
BXF3716809	3-9	41	1	BXF8459009	3-29	16	1	BXF9774009	3-39	01-6	1
BXF3721809	3-11	51	1	BXF8465009	3-29	7	1	BXF9775009	3-39	01-3	1
BXF3726909	3-9	13	1	BXF8466009	3-29	5	1	BXF9797009	3-23	43	1
BXF3727809	3-11	50	1	BXF8468009	3-29	1	1	BXF9823009	3-19	15	1
BXF3728009	3-9	29	1	BXF8688009	3-5	16-2	1	BXF9825009	3-19	13	1
BXF3729000	3-9	26	1	BXF8732009	3-7	47	2	BXF9826009	3-19	12	1
BXF3730809	3-9	18	1	BXF8747009	3-25	4	1	BXF9828009	3-19	9	1
BXF3733809	3-9	23	1	BXF8748009	3-25	5	1	BXF9881909	3-25	11	1
BXF3735009	3-9	22	1	BXF8752909	3-25	6	1	BXF9924009	3-13	20	1
BXF3738009	3-9	20	1	BXF8758909	3-25	1	1	BXF9926009	3-13	17	1
BXF3739809	3-9	19	1	BXF8850009	3-5	26	1	BXF9927009	3-13	16	1
BXF3741009	3-9	12	2	BXF8858009	3-7	51	1	BXF9929009	3-13	14	1
BXF3746909	3-9	8	2	BXF8859009	3-7	45	1	BXF9931009	3-13	12	1
BXF3747009	3-9	6	1	BXF8945009	3-13	24	1	BXF9931009	3-13	23	1
BXF3748709	3-9	5	1	BXF8949009	3-5	13	1	BXF9935009—W	3-13	9	1
BXF3749909	3-9	2	1	BXF9110909	3-27	01-20	1	BXF9936009—W	3-13	5	1
BXF3772009	3-21	7	1	BXF9114009	3-27	12	1	BXF9943009	3-7	43	1
BXF3839009	3-25	20	1	BXF9115009	3-27	11	1	BXF9969009	3-5	33	1
BXF3868009	3-13	2	1	BXF9116009—W	3-27	6	1	BXF9980009	3-5	5	1
BXF3871909	3-5	10	1	BXF9118909	3-27	2	3	BXF9983009	3-5	16	1
BXF4085009	3-21	6	1	BXF9119009	3-27	01-21	1	BXF9985009	3-5	11	1
BXF4943009	3-25	3	1	BXF9120009	3-27	01-5	1	J01520007	3-35	6	2
BXF6504009	3-11	61	1	BXF9121009	3-27	01-19	1	J01520007	3-37	21	2
BXF6505009	3-11	60	1	BXF9125009	3-27	01-16	1	S150106003	3-39	01-9	4

INDEX
