

TABLE OF CONTENTS

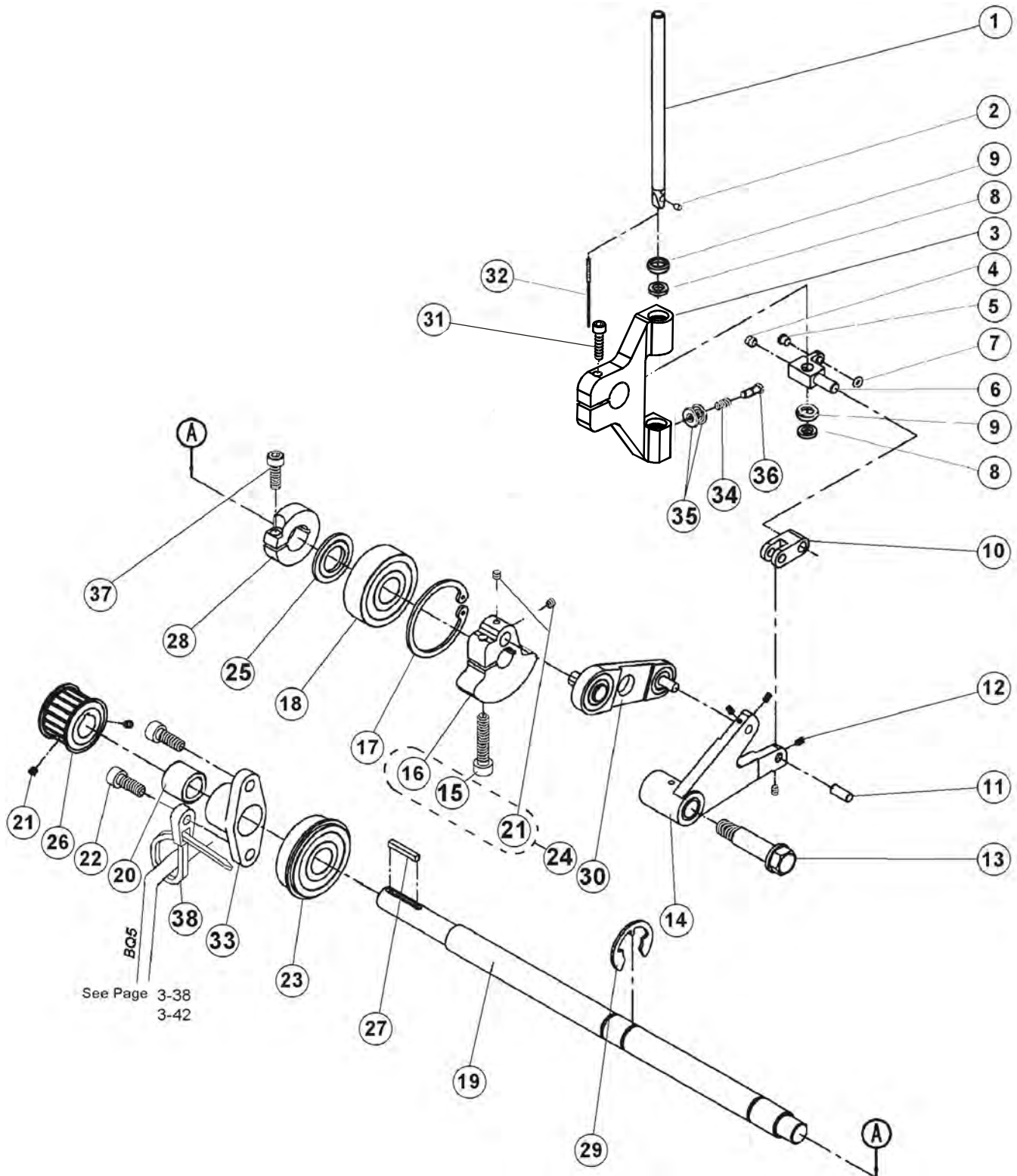
Needle Bar	2
Clamping	4
Thread Trimmer	6
Shifter Mechanism	8
Feed Mechanism	10
Looper Mechanism	14
Base	16
Bite Mechanism	18
Thread Draw-OFF Mechanism	20
Main Cam	22
Head Assembly	24
Bedplate	26
Covers	28
Lubrication	30
Table Crosswise	32
Table Parallel	34
Table Embedded — TKF	36
Table Universal	38
Electrical — I	40
Electrical — I Table Embedded	44
Electrical — II	48
Electrical — III	50
Pneumatics	52
Accessories — Extra Parts	54
Accessories — Clamping	56

Released 12/2009

e-mail: service@amfreece.cz; parts@amfreece.cz; website: www.amfreece.com

Phones: +420 582 309 146 (Service), +420 582 309 286 (Spare Parts) ; Fax: +420 582 360 606

NEEDLE BAR



Released 12/2009

e-mail: service@amfreece.cz; parts@amfreece.cz; website: www.amfreece.com

Phones: +420 582 309 146 (Service), +420 582 309 286 (Spare Parts) ; Fax: +420 582 360 606

NEEDLE BAR

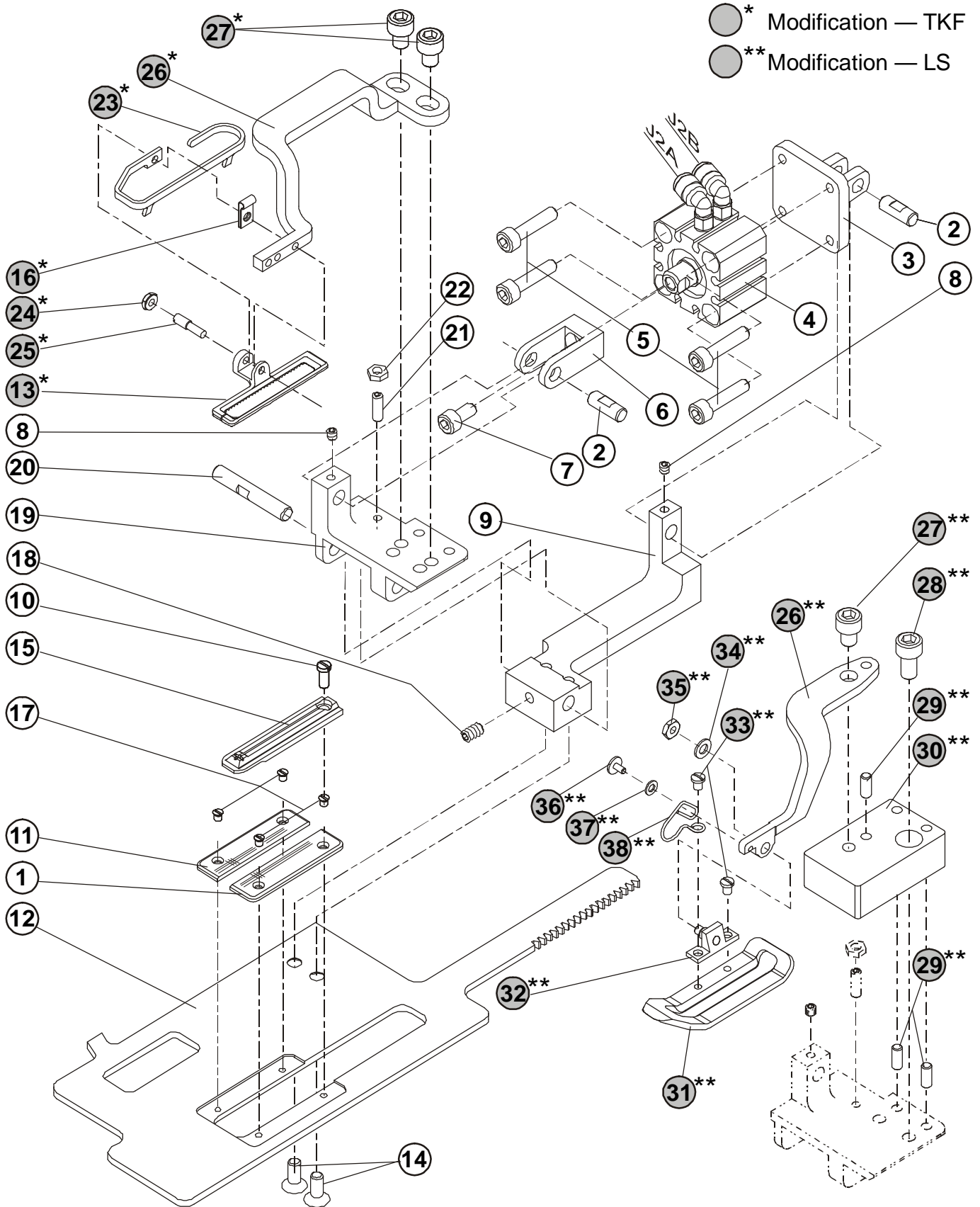
DET	PART NUMBER	DESCRIPTION	QTY.
1	22.0195.0.000	Needle Bar	1
2	01.2193.0.000	4-60 Screw	1
3	24.0510.0.000	Needle Bar Holder ●	1
4	08.6400.5.005	M5 x 5 Set Screw	1
5	01.7447.1.000	Porcelain Guide ●●●	1
6	22.0520.0.000	Needle Bar Clamp	1
7	01.6551.0.000	Retaining Ring ●●●	1
8	22.0230.0.000	Cupped Washer ●●●	2
9	22.0239.0.000	Felt Washer	2
10	22.0530.0.000	Needle Bar Connecting Link	1
11	22.0542.0.000	Needle Bar Connecting Link Pin	1
12	08.6400.3.005	M3 x 5 Set Screw	4
13	22.0541.0.000	Needle Bar Shoulder Screw	1
14	22.0540.0.000	Needle Bar Connecting Link Pin ● ● ●	1
15	08.6000.6.030	M6 x 30 Screw	(1)
16	22.0525.0.000	Needle Bar Crank ●	(1)
17	01.7809.0.000	Retaining Ring	1
18	01.7804.0.000	Top Shaft Bearing	1
19	24.0500.0.000	Needle Bar Drive Shaft	1
20	12.2050.0.003	Bearing	1
21	08.6400.4.004	M4 x 4 Set Screw	2 (2)
22	08.6000.6.016	M6 x 16 Screw	2
23	01.7805.0.000	Shaft Bearing	1
24	22.0525.0.050	Needle Bar Crank Asm.	1
25	22.0545.0.000	Washer	1
26	24.0048.0.000	Needle Bar Drive Pulley ●	1
27	22.0175.0.000	Drive Shaft Key	1
28	24.0002.0.000	Clamp Collar	1
29	12.1045.2.001	Retaining Ring	1
30	22.0535.0.100	Needle Bar Crank Link Asm. ●	1
31	08.6000.6.025	M6 x 25 Screw	1
32	02.0750.2.110	Needle	1
33	24.0001.0.000	Bearing Carrier Upper Shaft	1
34	22.0178.0.000	Spring	1
35	22.0177.0.000	Washer	2
36	24.0100.0.000	M3.5 x 0.35-11 Screw	1
37	08.6000.5.016	M5 x 16 Screw	1
38	12.0010.4.013	Plastic Cable Fitting	1

Released 12/2009

e-mail: service@amfreece.cz; parts@amfreece.cz; website: www.amfreece.com

Phones: +420 582 309 146 (Service), +420 582 309 286 (Spare Parts) ; Fax: +420 582 360 606


CLAMPING



Released 12/2009

e-mail: service@amfreece.cz; parts@amfreece.cz; website: www.amfreece.com

CLAMPING

DET	PART NUMBER	DESCRIPTION	QTY.
01	24.3205.0.002	R.H. Clamp Mat	1
02	22.0173.0.000	Clamp Toggle Pivot Pin	2
03	24.0036.0.000	Cylinder Mounting Bracket	1
04	See Page 3-51	Cylinder 	—
05	08.6000.5.022	Screw M5 x 22	4
06	24.0035.0.000	Cylinder Clevis	1
07	08.6000.5.012	Screw M5 x 12	1
08	08.6400.4.004	Set Screw M4 x 4	2
09	24.3210.0.000	Tail Bracket Clamp	1
10	01.2084.0.000	Fill. Screw 6-52	1
11	24.3205.0.001	L.H. Clamp Mat	1
12	24.0125.0.000	Clamp Plate	1
13*	20.0650.0.640	Clamp Foot *1—1/2"	1*
14	08.6100.5.012	Screw M5 x 12	2
15	22.3034.0.000	Throat Plate	1
16*	01.5174.0.000	Spacer Spring	1*
17	01.2376.0.000	Screw 4-60	4
18	08.6400.5.005	M5 x 5 Set Screw	1
19	24.3209.0.000	Tail Pivot Clamp	1
20	22.0159.0.000	Tail Pivot Clamp Pin	1
21	08.6400.4.012	Set Screw M4 x 12	1
22	08.6700.4.000	Nut M4	1
23*	20.0767.1.022	Needle Guard *1—1/2"	1*
24*	01.3065.0.000	Nut	1*
25*	01.1125.0.000	Shoulder Set Screw	1*
26*	22.3217.0.000	Clamp Arm	1*
26**	22.3256.0.000	Clamp Arm	1**
27*	08.6000.6.008	Screw M6 x 8	2**
27**	08.6000.6.008	Screw M6 x 8	1**
28**	08.6000.6.012	Screw M6x12	1**
29**	07.6045.0.046	Pin	3**
30**	24.3207.0.000	Clamp Arm Spacer 1 1/2"	1**
31**	20.0650.0.606	Clamp Foot 1 1/2"	1**
32**	22.3251.0.000	Bracket Assembly	1**
33**	01.2563.0.000	Screw 6-52x.171L	2**
34**	08.6850.4.000	Washer M4	1**
35**	22.0179.0.000	Nut M3x0.5	1**
36**	01.2136.0.000	Screw 4-60x.167L	1**
37**	01.4474.0.000	Plain Washer	1**
38**	01.5445.0.000	Spring	1*

* Modification TKF

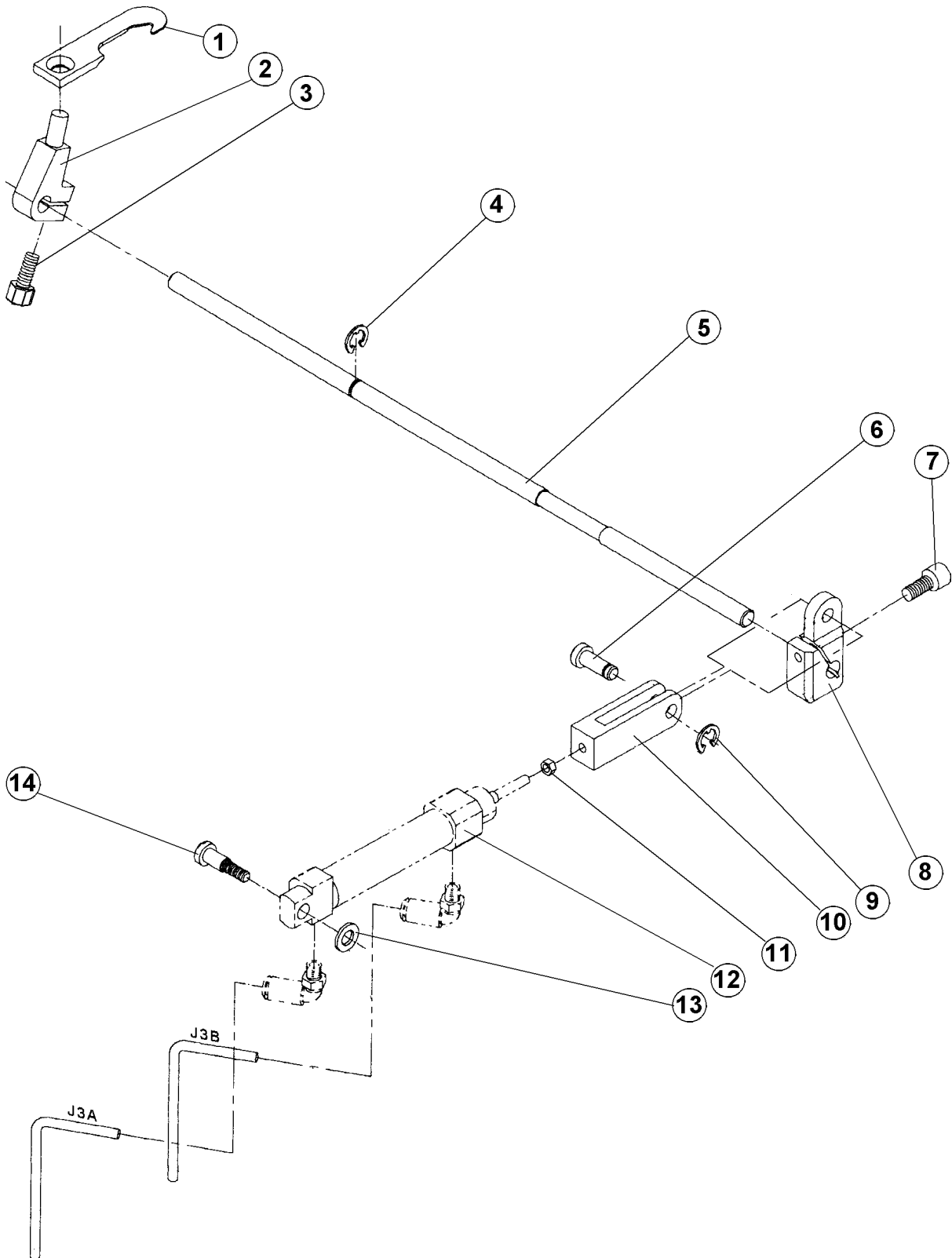
** Modification LS (Label Sewer)

Released 12/2009

e-mail: service@amfreece.cz; parts@amfreece.cz; website: www.amfreece.com

Phones: +420 582 309 146 (Service), +420 582 309 286 (Spare Parts) ; Fax: +420 582 360 606

THREAD TRIMMER



Released 12/2009

e-mail: service@amfreece.cz; parts@amfreece.cz; website: www.amfreece.com

Phones: +420 582 309 146 (Service), +420 582 309 286 (Spare Parts) ; Fax: +420 582 360 606

THREAD TRIMMER

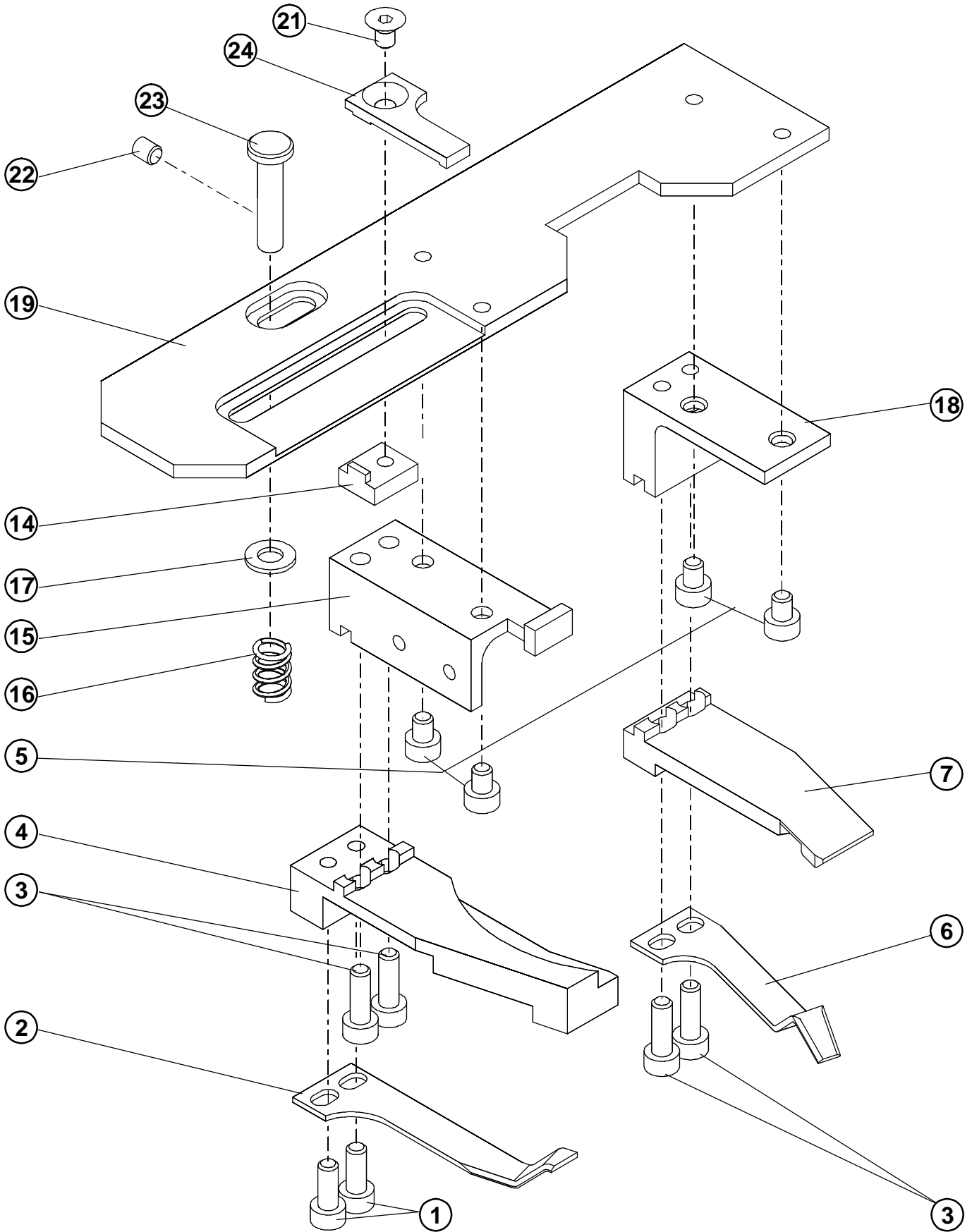
DET	PART NUMBER	DESCRIPTION	QTY.
01	20.0093.2.004	Trimmer Hook	1
02	20.0092.0.004	Trimmer Actuator	1
03	01.2386.0.000	3/16-36 x .5 Hex Screw	1
04	12.1045.3.001	E-Clip	1
05	24.0080.0.000	Trimmer Shaft	1
06	24.0003.0.000	Trimmer Pivot	1
07	08.6000.4.012	M4 x 12 Screw	1
08	24.0004.0.000	Trimmer Clamp Lever	1
09	07.6045.0.042	E-Clip	1
10	24.0005.0.000	Clevis	1
11	08.6700.4.000	M4 Nut	1
12	See Page 3-51	Trimmer Cylinder	—
13	08.6850.4.000	Washer	1
14	24.0006.0.000	Pivot Screw	1

Released 12/2009

e-mail: service@amfreece.cz; parts@amfreece.cz; website: www.amfreece.com

Phones: +420 582 309 146 (Service), +420 582 309 286 (Spare Parts) ; Fax: +420 582 360 606

SHIFTER MECHANISM



Released 12/2009

e-mail: service@amfreece.cz; parts@amfreece.cz; website: www.amfreece.com

Phones: +420 582 309 146 (Service), +420 582 309 286 (Spare Parts) ; Fax: +420 582 360 606

SHIFTER MECHANISM

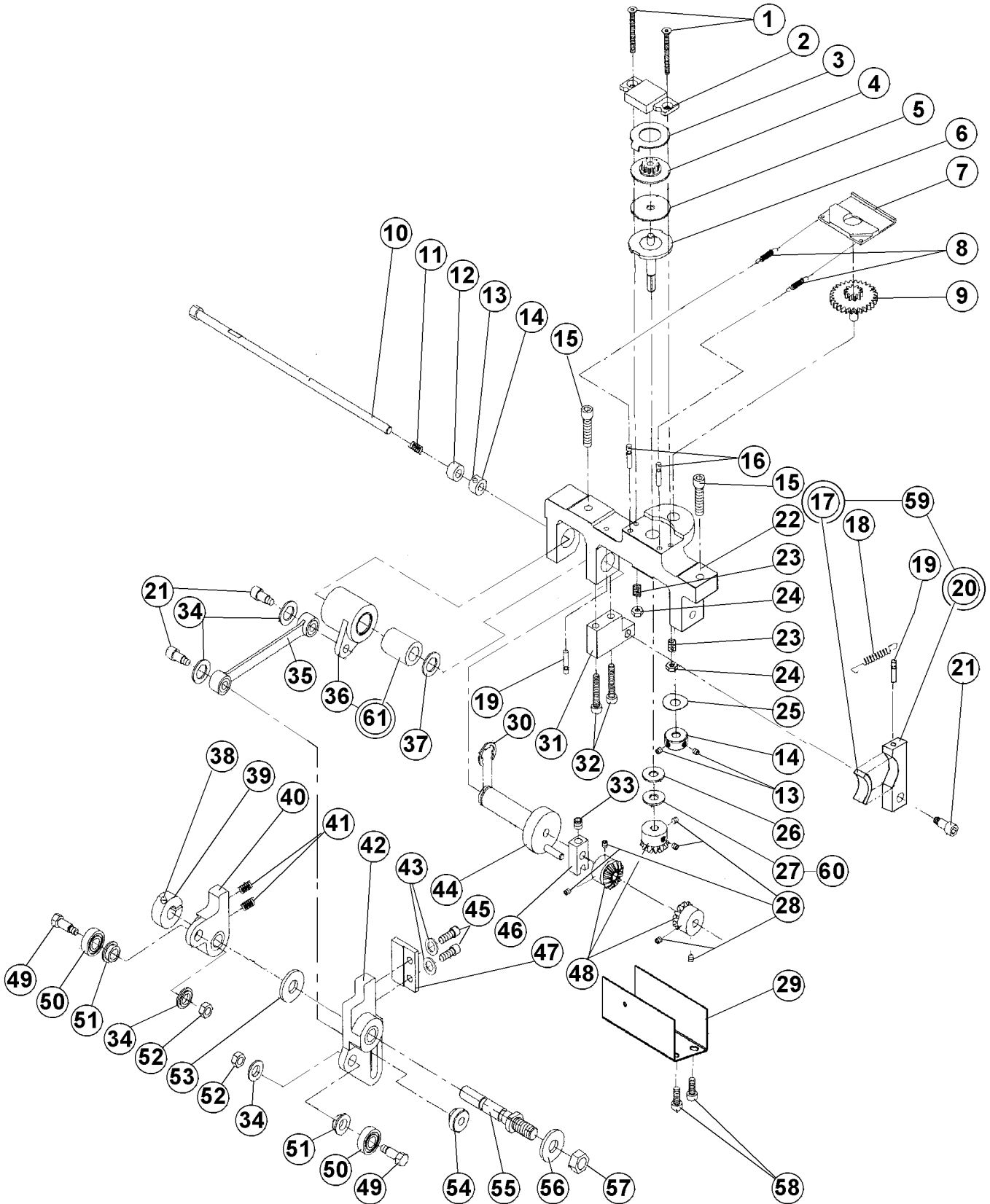
DET	PART NUMBER	DESCRIPTION	QTY.
01	08.6000.4.010	M4 x 10 Screw	2
02	22.2653.0.000	Left Shifter Arm Spring	1
03	08.6000.4.016	M4 x 16 Screw	4
04	22.2652.0.000	Left Shifter Arm	1
05	08.6000.4.005	M4 x 5 Screw	4
06	22.2657.0.000	Right Shifter Arm Spring	1
07	22.2656.0.000	Right Shifter Arm	1
14	22.0405.2.000	Adjustable Link Nut	1
15	22.2651.0.000	Left Shifter Block	1
16	07.6440.0.040	Spring	1
17	08.6887.5.000	Washer	1
18	22.2655.0.000	Right Shifter Block	1
19	24.2665.2.000	Main Cam Shifter Plate	1
21	08.6100.4.006	M4 x 6 Screw	1
22	08.6400.4.005	M4 x 5 Set Screw	1
23	22.0400.0.000	Spring Load Pin	1
24	22.2664.0.000	Buttonhole Adjusting Link	1

Released 12/2009

e-mail: service@amfreece.cz; parts@amfreece.cz; website: www.amfreece.com

Phones: +420 582 309 146 (Service), +420 582 309 286 (Spare Parts) ; Fax: +420 582 360 606

FEED MECHANISM



Released 12/2009

e-mail: service@amfreece.cz; parts@amfreece.cz; website: www.amfreece.com

Phones: +420 582 309 146 (Service), +420 582 309 286 (Spare Parts) ; Fax: +420 582 360 606

FEED MECHANISM

DET	PART NUMBER	DESCRIPTION	QTY.
01	08.6100.3.030	M3 x 30 Screw	2
02	22.0114.0.000	Feed Brake Pressure Plate	1
03	22.0121.0.000	Slip Clutch Drive Washer	1
04	22.0354.0.000	Slip Clutch Feed Gear	1
05	24.0126.0.000	Friction Washer ●●●	1
06	22.0312.0.000	Slip Clutch Feed Shaft	1
07	22.0061.0.000	Clamp Plate Gear Rack Retainer	1
08	07.6440.0.033	Spring	2
09	24.0351.0.000	Feed Gear Assembly	1
10	22.0325.0.000	Feed Reversing Shaft	1
11	07.6440.0.041	Spring	1
12	22.0228.0.000	Collar	1
13	08.6400.5.305	M5 x 0,5 - 5 Set Screw	4
14	24.0049.0.000	Set Collar	2
15	08.6000.5.020	M5 x 20 Screw	2
16	07.6045.0.037	3 x 16 Grooved Pin	2
17	22.0313.0.000	Feed Brake Pad ●●● (1)	(1)
18	07.6440.0.050	Spring	1
19	07.6045.0.009	3 x 12mm Pin	2
20	22.0309.0.000	Feed Brake	(1)
21	22.0184.0.000	M5 x 8 Screw	3
22	22.0315.0.000	Feed Shaft Bracket ●●	1
23	07.6440.0.028	Spring	2
24	08.6733.3.000	M3 Lock Nut	2
25	17.0019.2.057	Lockwasher	1
26	22.0208.0.000	Flat Washer	1
27	22.0186.0.000	Washer Dia. 5.2/17-0.2	1
28	08.6400.4.005	M4 x 5 Set Screw	6
29	24.2035.0.000	Gear Cover	1
30	07.6045.0.034	E-Ring	1
31	22.0049.0.000	Feed Brake Mounting Block ●	1
32	08.6000.4.025	M4 x 25 Screw	2
33	08.6400.5.005	M5 x 5 Set Screw	1
34	22.0100.0.000	Shoulder Washer	4
35	22.0305.0.000	Feed Connecting Link ●●●	1
36	22.0320.0.000	Feed Shaft Bearing Housing	1
37	17.0019.0.517	Washer	1
38	08.6000.3.010	M3 x 10 Screw	1
39	22.0183.0.000	Collar Dia. 8	1
40	22.0026.0.000	L.H. Feed Cam Follower ●●●	1
41	07.6440.0.018	Spring	2
42	24.0127.0.000	R.H. Feed Cam Follower ●●●	1
43	08.6800.4.000	M4 Lockwasher	2
44	22.0336.0.000	Feed Shaft	1
45	08.6000.4.014	M4 x 14 Screw	2
46	22.0370.0.000	Feed Crank	1
47	22.0021.0.000	Spring Retain Block	1
48	22.0353.0.000	Steel Bevel Gear ●	3
49	22.0032.0.000	Bearing Shoulder Screw	2
50	07.6321.0.025	Bearing	2

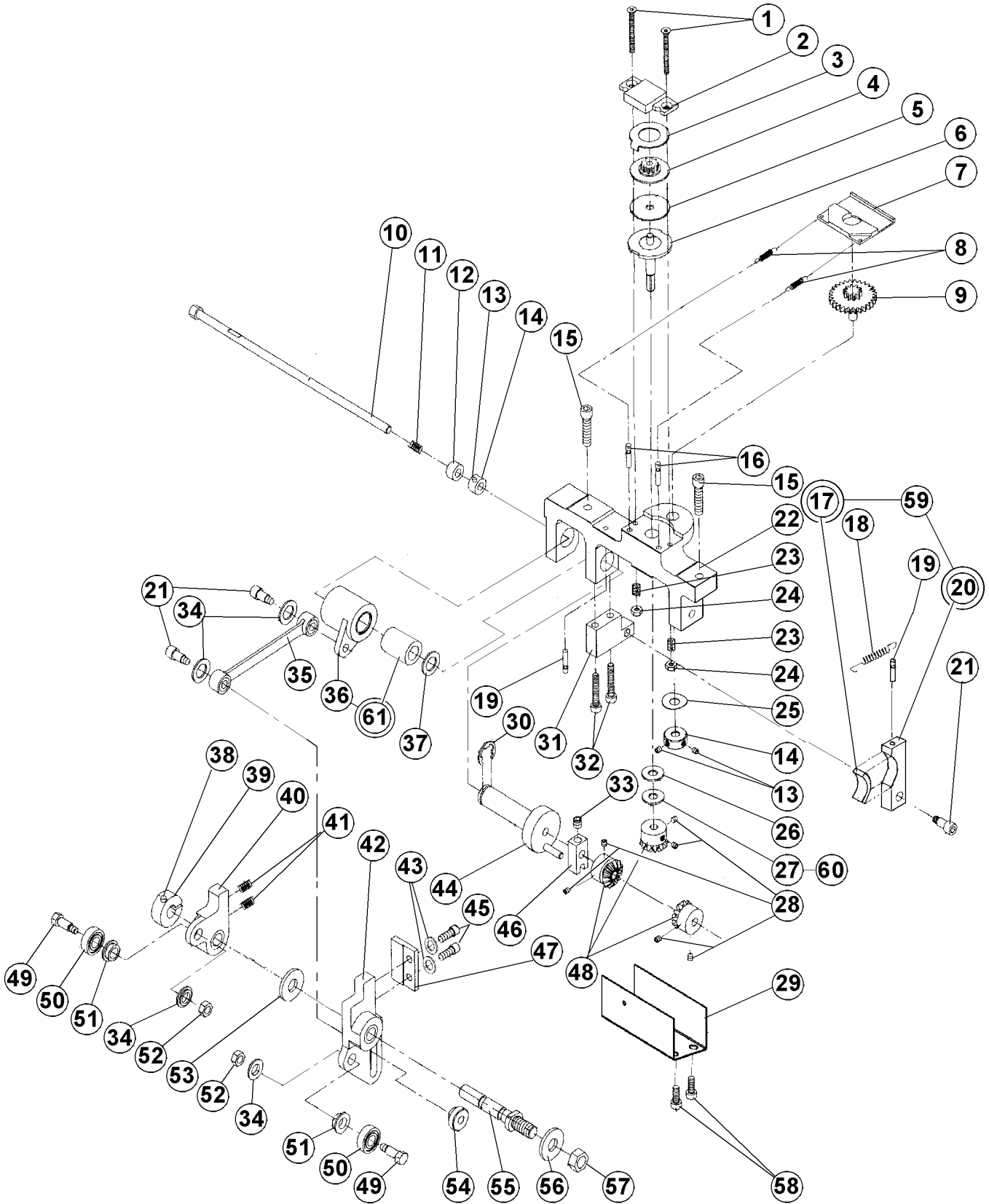
Released 12/2009

e-mail: service@amfreece.cz; parts@amfreece.cz; website: www.amfreece.com

Phones: +420 582 309 146 (Service), +420 582 309 286 (Spare Parts) ; Fax: +420 582 360 606



FEED MECHANISM



Released 12/2009

e-mail: service@amfreece.cz; parts@amfreece.cz; website: www.amfreece.com

Phones: +420 582 309 146 (Service), +420 582 309 286 (Spare Parts) ; Fax: +420 582 360 606

FEED MECHANISM



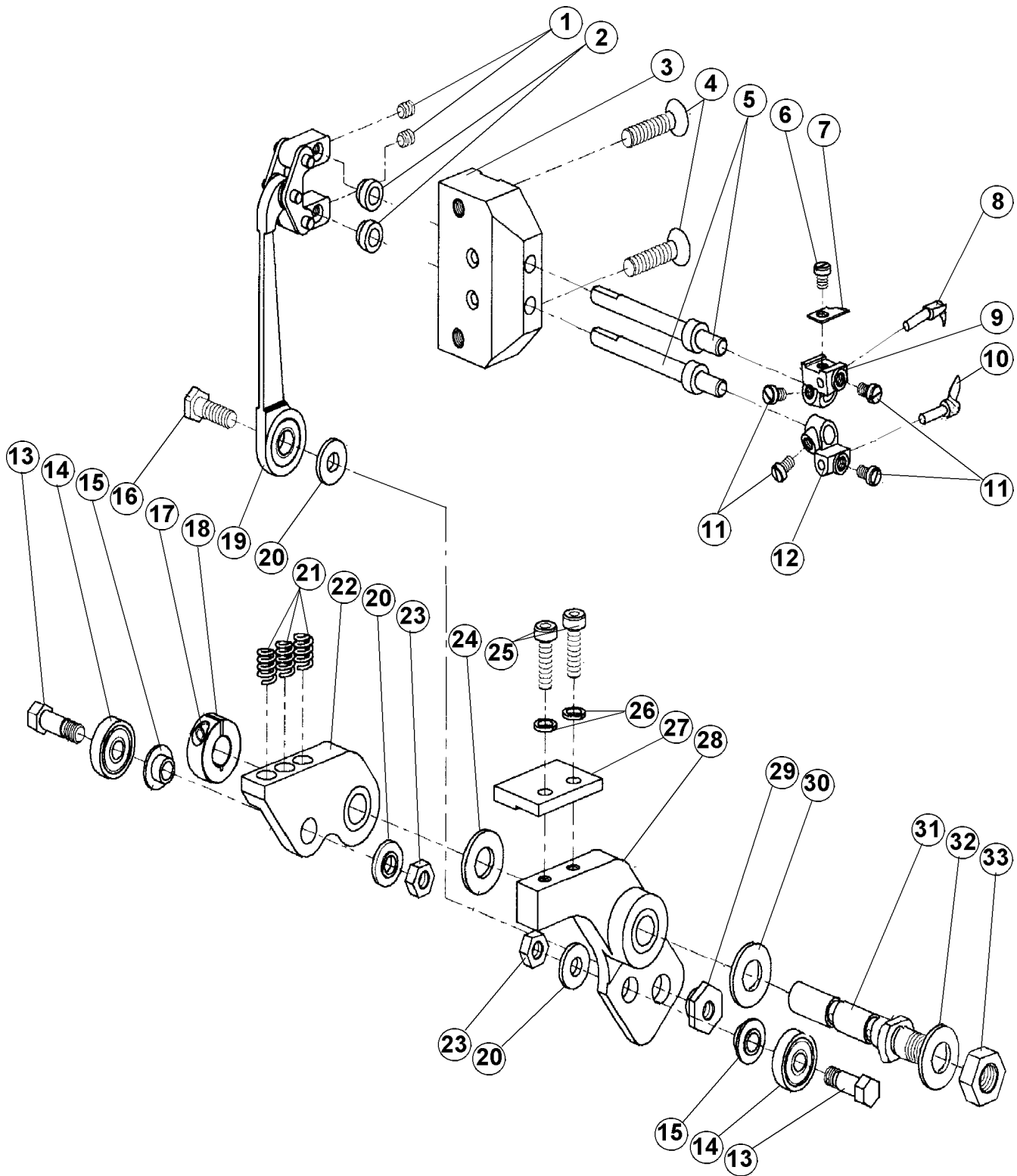
DET	PART NUMBER	DESCRIPTION	QTY.
51	22.0031.0.000	Bearing Spacer	2
52	08.6710.5.000	M5 Nut	2
53	22.0232.0.000	Washer	1
54	22.0110.0.000	M5 Shoulder Nut	1
55	22.0022.0.000	Pivot Shaft	1
56	08.6850.8.000	M8 Flat Washer	1
57	08.6700.8.000	M8 Nut	1
58	08.6000.4.005	M4 x 5 Screw	2
59	22.0309.0.050	Feed Brake Assembly	1
60	24.0140.0.000	Washer Dia. 5.2/17-0.1	1
61	07.6321.0.030	Bearing	(1).

Released 12/2009

e-mail: service@amfreece.cz; parts@amfreece.cz; website: www.amfreece.com

Phones: +420 582 309 146 (Service), +420 582 309 286 (Spare Parts) ; Fax: +420 582 360 606

LOOPER MECHANISM



Released 12/2009

e-mail: service@amfreece.cz; parts@amfreece.cz; website: www.amfreece.com

Phones: +420 582 309 146 (Service), +420 582 309 286 (Spare Parts) ; Fax: +420 582 360 606

LOOPER MECHANISM

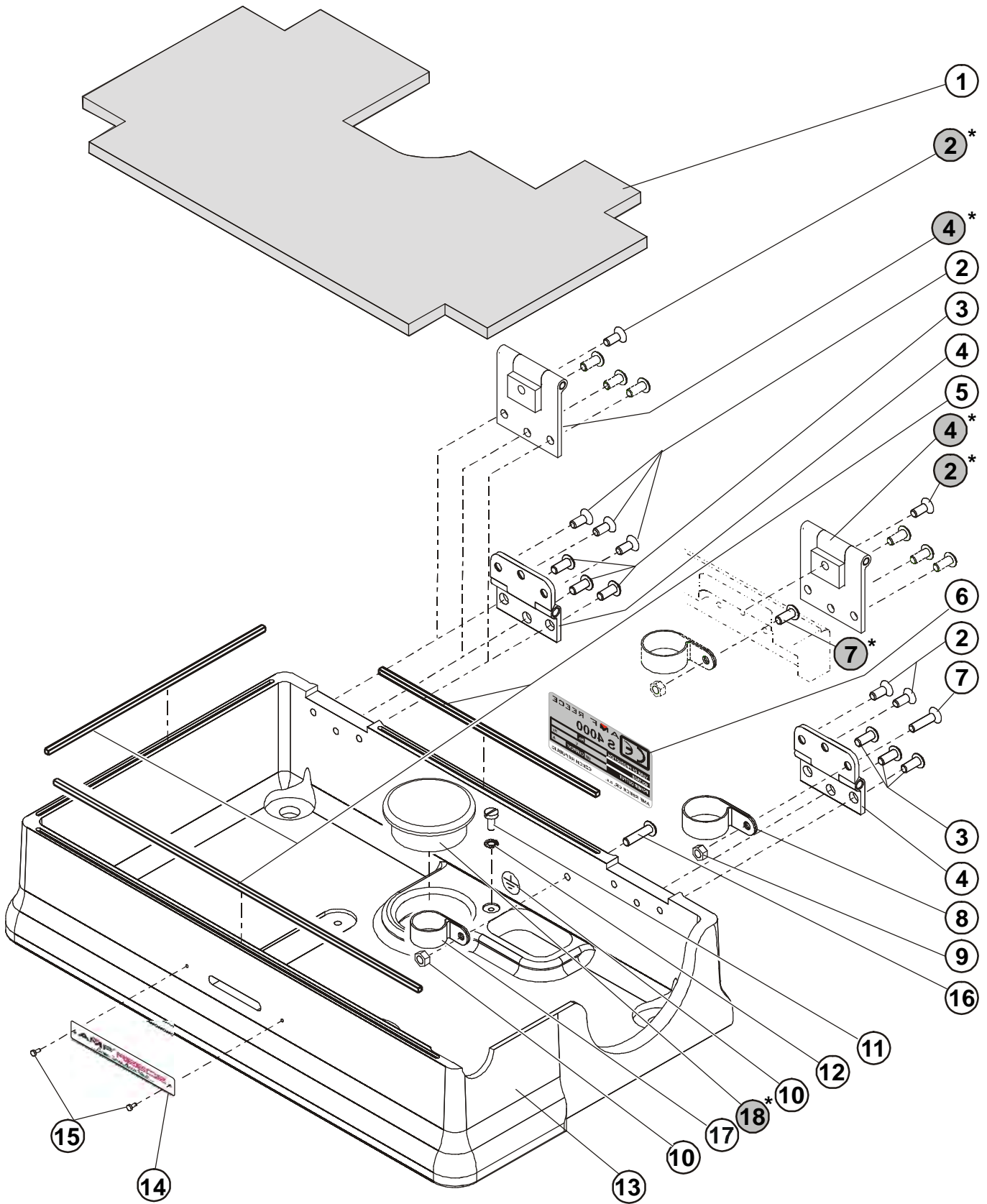
DET	PART NUMBER	DESCRIPTION	QTY.
01	08.6400.4.004	M4 x 4 Set Screw	2
02	22.2442.0.000	Looper Spacer	2
03	22.2410.0.000	Looper Shaft Block	1
04	08.6100.5.020	M5 x 20 Screw	2
05	22.2440.0.000	Looper Shaft	2
06	01.1382.0.000	Screw	1
07	20.0094.0.000	Trimmer Knife	1
08	20.0111.0.000	First Looper	1
09	23.2106.0.000	First Looper Holder	1
10	20.0112.0.000	Second Looper	1
11	01.1397.0.000	Screw	4
12	23.2107.0.000	Second Looper Holder	1
13	24.0066.0.000	Bearing Screw	2
14	12.2010.1.002	Cam Follower Bearing	2
15	22.0031.0.000	Bearing Spacer	2
16	22.0064.0.000	Bite Shoulder Screw	1
17	08.6000.3.010	M3 x 10 Screw	1
18	22.0183.0.000	Collar	1
19	22.2425.0.050	Looper Link Assembly	1
20	22.0100.0.000	Shoulder Washer	3
21	07.6440.0.036	Spring	3
22	22.0024.0.000	Looper Cam Follower Plate ● ● ●	1
23	08.6710.5.000	M5 Hex Nut	2
24	22.0232.0.000	Flat Washer	1
25	08.6000.4.014	M4 x 14 Screw	2
26	08.6800.4.000	M4 Lockwasher	2
27	22.0021.0.000	Spring Retainer Block	1
28	22.0023.0.000	R.H. Looper Cam Follower Plate ● ● ●	1
29	22.0105.0.000	Looper Eccentric Nut	1
30	22.0233.0.000	Flat Washer	1
31	22.0022.0.000	Pivot Shaft	1
32	08.6850.8.000	M8 Flat Washer	1
33	08.6700.8.000	M8 Hex Nut	1

Released 12/2009

e-mail: service@amfreece.cz; parts@amfreece.cz; website: www.amfreece.com

Phones: +420 582 309 146 (Service), +420 582 309 286 (Spare Parts) ; Fax: +420 582 360 606

BASE



●* — S4000 TKF Embedded Machine

Released 12/2009

e-mail: service@amfreece.cz; parts@amfreece.cz; website: www.amfreece.com

Phones: +420 582 309 146 (Service), +420 582 309 286 (Spare Parts) ; Fax: +420 582 360 606

BASE

DET	PART NUMBER	DESCRIPTION	QTY.
01	24.0111.0.000	Base Sound Deadener ●●●	1
02	08.6100.5.012	M5 x 12 Screw	5
02*	08.6100.5.012	M5 x 12 Screw	2*
03	08.6200.5.012	M5 x 12 Screw	6
04	22.1010.0.000	Base Hinge	2
04*	24.0155.0.000	Base Hinge	2*
05	24.0038.0.000	Base Gasket ●●●	1
06	12.8000.0.016	CE"" Label	1
07	08.6100.5.020	M5 x 20 Screw	1
07*	08.6200.5.014	M5 x 14 Screw	1*
08	12.0008.4.197	Cord Clamp ●●●	1
09	08.6700.5.000	M5 Nut	1
10	12.0008.4.052	Label (Ground)	1
11	08.6012.4.010	M4 x 10 Screw	1
12	08.6832.4.000	M4 Serrated Lockwasher	1
13	24.6005.1.002	Base	1
14	—	Label	1
15	—	Drive Screw	2
16	08.6200.5.020	Screw	1
17	12.0008.4.100	Cord Clamp	1
18*	12.0008.4.632	Plug	1*

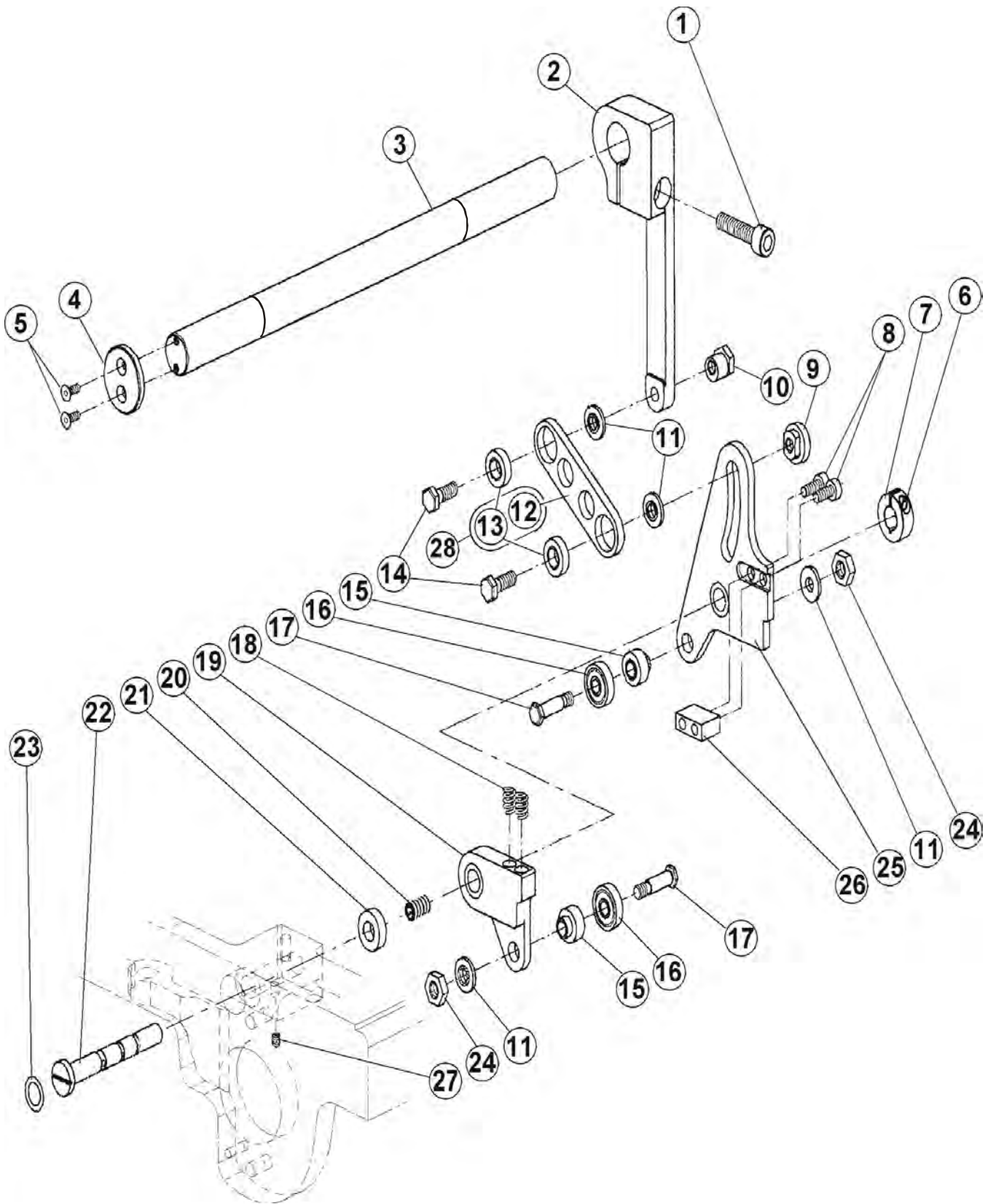
* — S4000 TKF Embedded Machine

Released 12/2009

e-mail: service@amfreece.cz; parts@amfreece.cz; website: www.amfreece.com

Phones: +420 582 309 146 (Service), +420 582 309 286 (Spare Parts) ; Fax: +420 582 360 606

BITE MECHANISM



Released 12/2009

e-mail: service@amfreece.cz; parts@amfreece.cz; website: www.amfreece.com

BITE MECHANISM

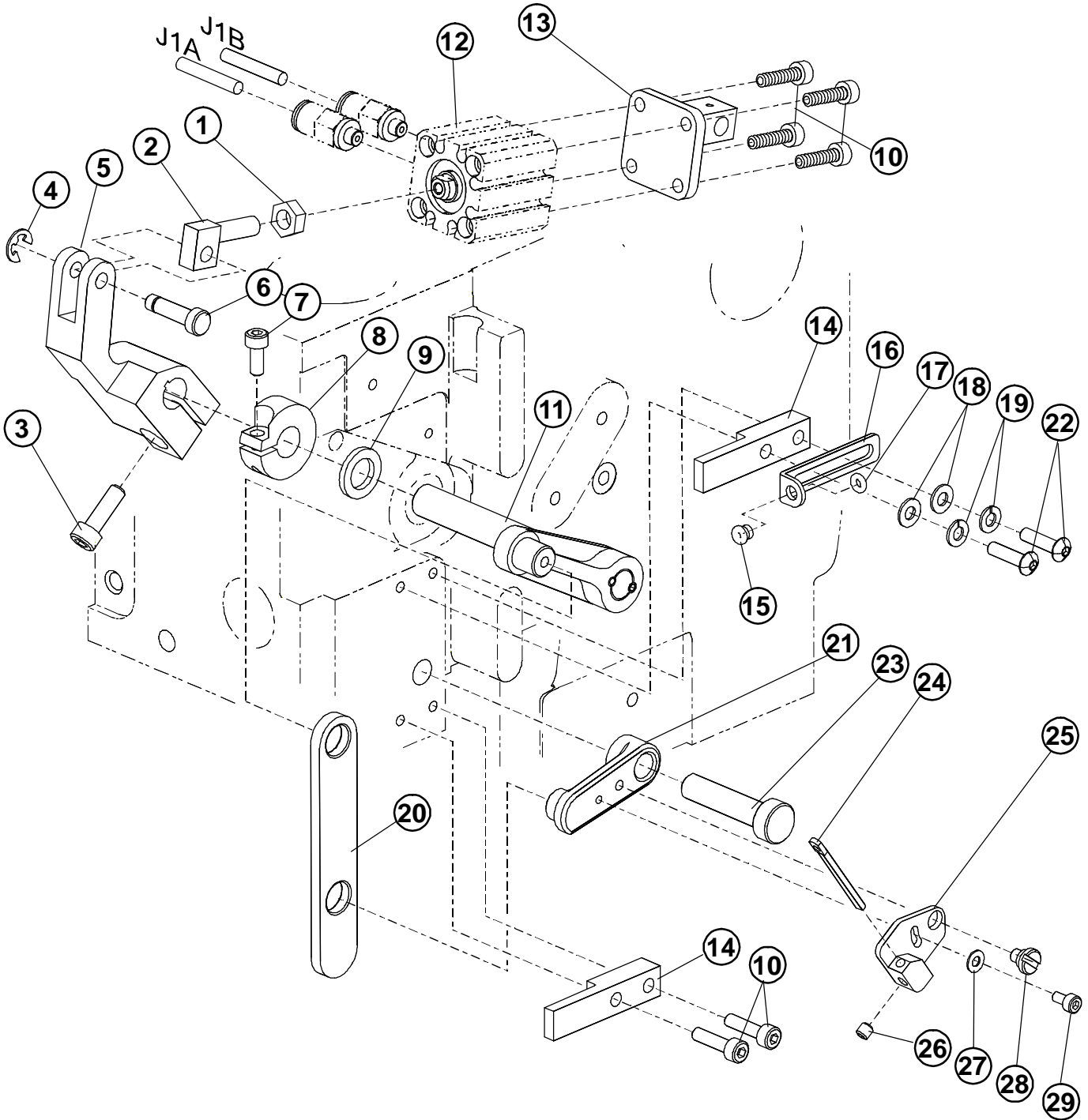
DET	PART NUMBER	DESCRIPTION	QTY.
01	08.6000.6.025	M6 x 25 Screw	1
02	22.0008.0.000	Bite Lever ●	1
03	24.0055.0.000	Bite Shaft	1
04	22.0063.0.000	Bite Shaft Retainer	1
05	08.6100.3.008	M3 x 8 FH Screw	2
06	08.6000.3.010	M3 x 10 Screw	1
07	22.0183.0.000	Collar*Dia. 8	1
08	08.6000.4.014	M4 x 14 Screw	2
09	22.0110.0.000	M5 Shoulder Nut	1
10	22.0214.0.000	M5 Eccentric Nut	1
11	22.0100.0.000	Shoulder Washer	4
12	22.0009.0.000	Bite Adjusting Link ●	(1)
13	07.6321.0.029	Bearing	(2)
14	22.0064.0.000	Bite Shoulder Screw	2
15	22.0029.0.000	Bite Follower Bearing Spacer	2
16	07.6321.0.025	Bearing	2
17	22.0028.0.000	Bite Follower Bearing Screw	2
18	07.6440.0.028	Spring	2
19	22.0027.0.000	Right Cam Follower ● ● ●	1
20	08.6400.4.005	M4 x 5 Set Screw	1
21	22.0069.0.000	Bite Follower Spacer	1
22	22.0020.0.000	Bite Pivot Shaft	1
23	12.0008.6.800	Rubber Ring ● ● ●	1
24	08.6700.5.000	M5 Hex Nut	2
25	24.0033.0.000	Left Cam Follower ● ● ●	1
26	22.0030.0.000	Bite Follower Spring Retainer	1
27	08.6400.4.004	M4x4 Screw	1
28	22.0009.0.050	Bite Adjusting Link Assembly	1

Revised 01/2010

e-mail: service@amfreece.cz; parts@amfreece.cz; website: www.amfreece.com

Phones: +420 582 309 146 (Service), +420 582 309 286 (Spare Parts) ; Fax: +420 582 360 606




THREAD DRAW-OFF MECHANISM



Released 12/2009

e-mail: service@amfreece.cz; parts@amfreece.cz; website: www.amfreece.com

THREAD DRAW-OFF MECHANISM

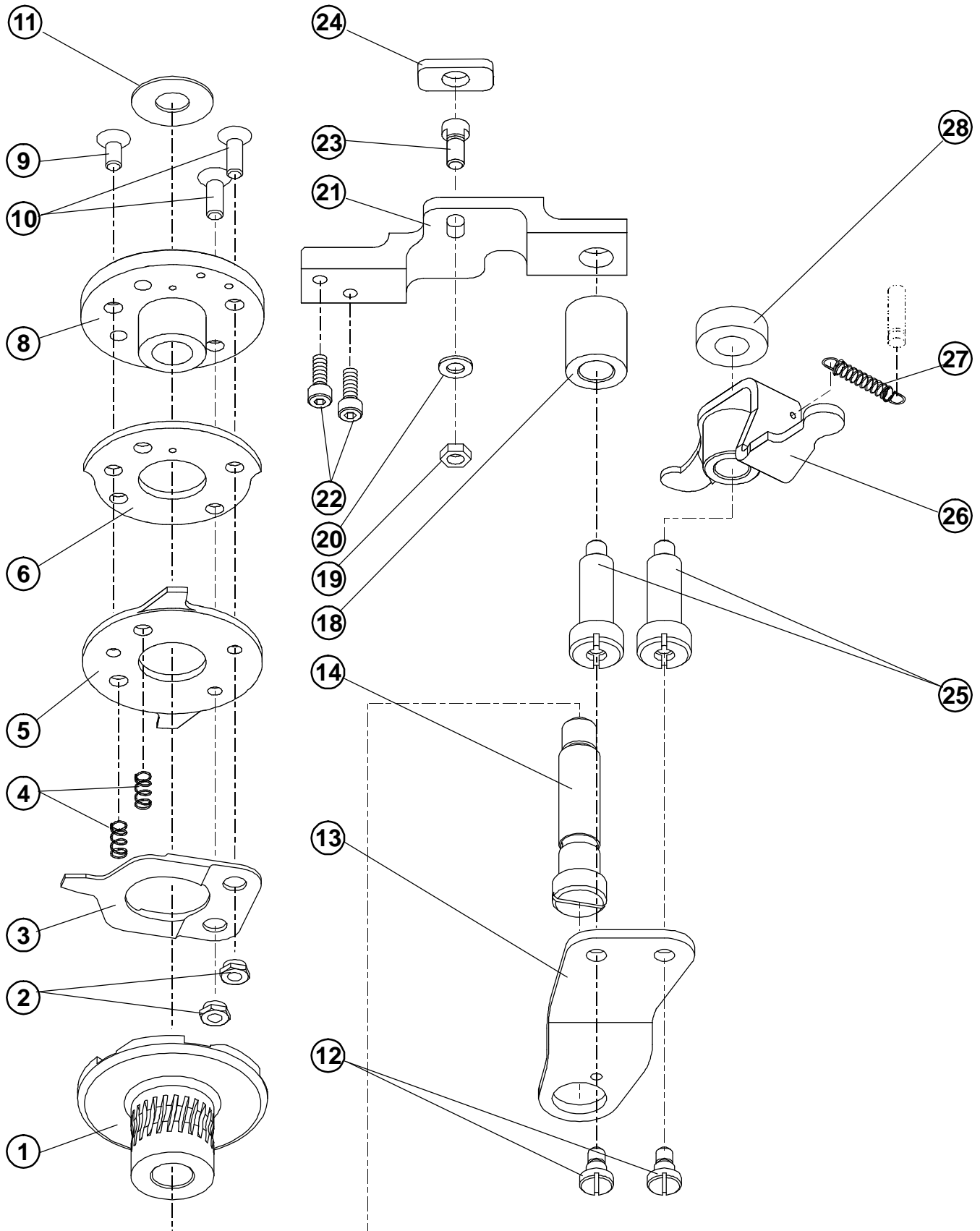
DET	PART NUMBER	DESCRIPTION	QTY.
01	08.6710.6.000	M6 Nut 	1
02	24.0037.0.000	Cylinder Clevis 	1
03	08.6000.5.016	M5 x 16 Screw	1
04	07.6045.0.042	E-Clip	1
05	24.0011.0.000	Knife Drive Lever	1
06	24.0014.0.000	Pivot	1
07	08.6000.4.010	M4 x 10 Screw	1
08	24.0010.0.000	Clamp Collar	1
09	24.0009.0.000	Washer	1
10	08.6000.4.016	M4 x 16 Screw	6
11	22.1415.0.050	Knife Lever Assembly	1
12	See Page 3-51	Thread Draw-Off Cylinder	—
13	24.0039.1.000	Thread Draw-Off Bracket	1
14	22.1436.0.000	Drive Plate Retainer 	2
15	01.7447.1.000	Porcelain Guide	1
16	22.0046.0.000	Thread Guide Bracket	1
17	01.6551.0.000	Retaining Ring	1
18	08.6850.4.000	M4 Flat Washer	2
19	08.6800.4.000	M4 Lockwasher	2
20	24.1430.1.000	Drive Plate	1
21	24.0062.0.000	Knife Guide Link	1
22	08.6200.4.016	M4 x 16 Screw	2
23	22.0161.0.000	Pivot Eccentric	1
24	22.0091.0.000	Thread Take-Up	1
25	24.0063.0.000	Thread Draw-Off	1
26	08.6400.4.004	M4 x 4 Set Screw	1
27	08.6850.3.000	M3 Washer	1
28	24.0061.0.000	Shoulder Screw	1
29	08.6000.3.006	M3 x 6 Screw	1

Released 12/2009

e-mail: service@amfreece.cz; parts@amfreece.cz; website: www.amfreece.com

Phones: +420 582 309 146 (Service), +420 582 309 286 (Spare Parts) ; Fax: +420 582 360 606

MAIN CAM



Released 12/2009

e-mail: service@amfreece.cz; parts@amfreece.cz; website: www.amfreece.com

MAIN CAM

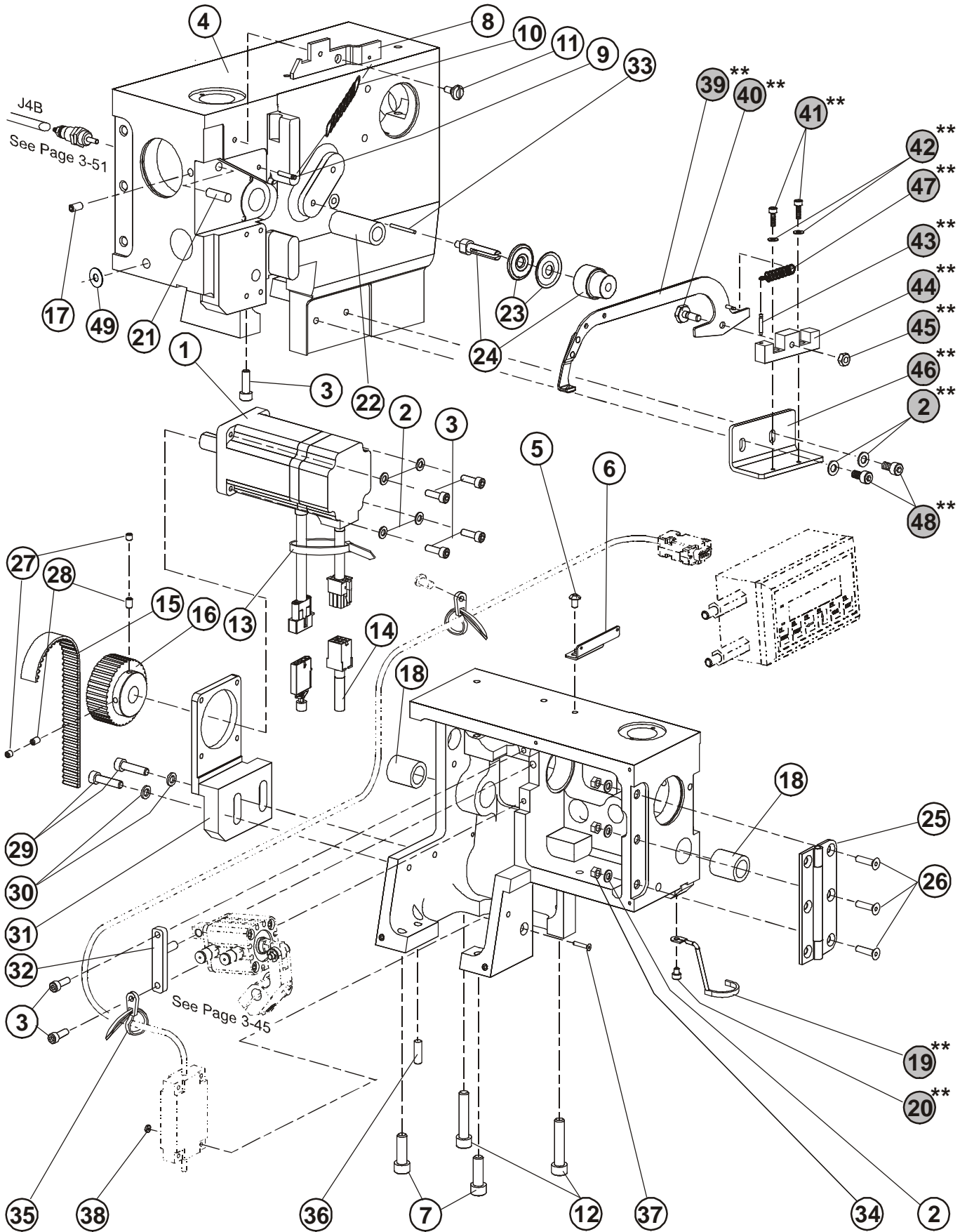
DET	PART NUMBER	DESCRIPTION	QTY.
01	22.2607.0.000	Drive Disk/Worm Gear Hub	1
02	22.2627.0.000	Shoulder Nut	2
03	22.2626.0.000	Drive Disk Switch Spring	1
04	07.6440.0.037	Spring	2
05	24.3200.0.000	Stop Disk	1
06	24.3201.0.000	Feed Reversing Cam	1
08	24.3203.0.000	Barring Cam	1
09	08.6100.5.010	M5 x 10 Screw	1
10	22.0137.0.000	M5 x 14 Screw	2
11	07.6321.0.001	Thrust Washer	1
12	22.0182.0.000	M5 x 4 Screw	2
13	22.0097.0.000	Main Cam Brace	1
14	22.2610.0.000	Main Cam Shoulder Screw	1
18	22.3206.0.000	Clamp Plate Lever Spacer	1
19	08.6700.5.000	M5 Nut	1
20	08.6850.5.000	M5 Washer	1
21	22.3216.0.000	Clamp Plate	1
22	08.6000.4.012	Screw M4x12	2
23	22.2633.0.000	Slidestone Retaining Screw	1
24	22.2631.0.000	Clamp Plate Slidestone	1
25	22.0106.0.000	Hub Shoulder Screw	2
26	24.2640.2.000	Feed Reversing Lever	1
27	07.6440.0.045	Extension Spring	1
28	22.3003.0.000	Spacer	1

Released 12/2009

e-mail: service@amfreece.cz; parts@amfreece.cz; website: www.amfreece.com

Phones: +420 582 309 146 (Service), +420 582 309 286 (Spare Parts) ; Fax: +420 582 360 606

HEAD ASSEMBLY



Released 12/2009

e-mail: service@amfreece.cz; parts@amfreece.cz; website: www.amfreece.com

HEAD ASSEMBLY

DET	PART NUMBER	DESCRIPTION	QTY.
01	See Page 3-41	Servomotor ● ● ● ● ● ●	1
02	08.6850.5.000	M5 Washer	7
02**	08.6850.5.000	M5 Washer	2
03	08.6000.5.016	M5 x 16 Screw	8
04	24.6000.5.000	Head	1
05	08.6200.5.008	M5 x 8 Screw	1
06	22.0054.0.000	Upper Thread Guide	1
07	08.6000.8.025	M8 x 25 Screw	2
08	22.0058.0.000	Sewing Head Latch	1
09	07.6045.0.037	3 x 16 Grooved Pin	1
10	07.6440.0.051	Latch Tension Spring	1
11	22.0062.0.000	M4 x 3 Screw	1
12	08.6000.8.040	M8x40 Screw	2
13	12.0008.3.023	Ty-wrap ●	1
14	See Page 3-41	Encoder Cable ● ● ● ● ● ●	1
15	12.5050.2.009	Belt ● ● ● ●	1
16	24.0108.0.000	Motor Pulley ●	1
17	08.6400.5.010	M5 x 10 Screw	1
18	01.7806.0.000	Oilite Bushing ● ●	2
19**	24.0044.0.000	Needle Guard	1
20**	08.6000.4.005	M4 x 5 Screw	1
21	07.6045.0.053	6 x 20 Pin	1
22	22.1422.0.000	Knife Shaft Bushing	1
23	17.0082.8.082	Release Washer	1
24	24.0119.0.050	Large Tension Assembly ● ● ●	1
25	22.6002.0.000	Head Hinge Assembly	1
26	08.6100.5.020	M5 x 20 Screw	3
27	08.6400.5.005	M5 x 5 Set Screw	2
28	08.6400.5.008	M5x8 Set Screw	2
29	08.6000.6.025	M6 x 25 Screw	2
30	08.6850.6.000	M6 Washer	2
31	24.0106.0.000	Motor Bracket	1
32	24.0016.0.000	Cylinder Pivot Stud Assembly	1
33	12.1010.2.003	Pin 2 x 24	1
34	08.6700.5.000	Nut M5	3
35	12.0008.4.598	Plastic Cable Fitting ● ● ●	1
36	12.1011.0.001	Pin 6 x 20	1
37	08.6100.3.016	Screw M3 x 16	1
38	08.6700.3.000	Nut M3	1
39**	22.3255.0.000	Hold Down	1
40**	01.2527.0.000	3/16-36 Hex Bolt	1
41**	08.6000.3.010	Screw M3x10	2
42**	08.6852.3.000	Washer M3	2
43**	01.6038.0.000	Anchor Pin	1
44**	20.0681.0.000	Bracket	1
45**	01.3005.0.000	Nut 3/16-36	1
46**	22.3252.0.000	Mounting Plate	1
47**	07.6440.0.046	Extension Spring	1
48**	08.6000.5.010	M5x10Screw	2
49	24.0546.0.000	Washer	1

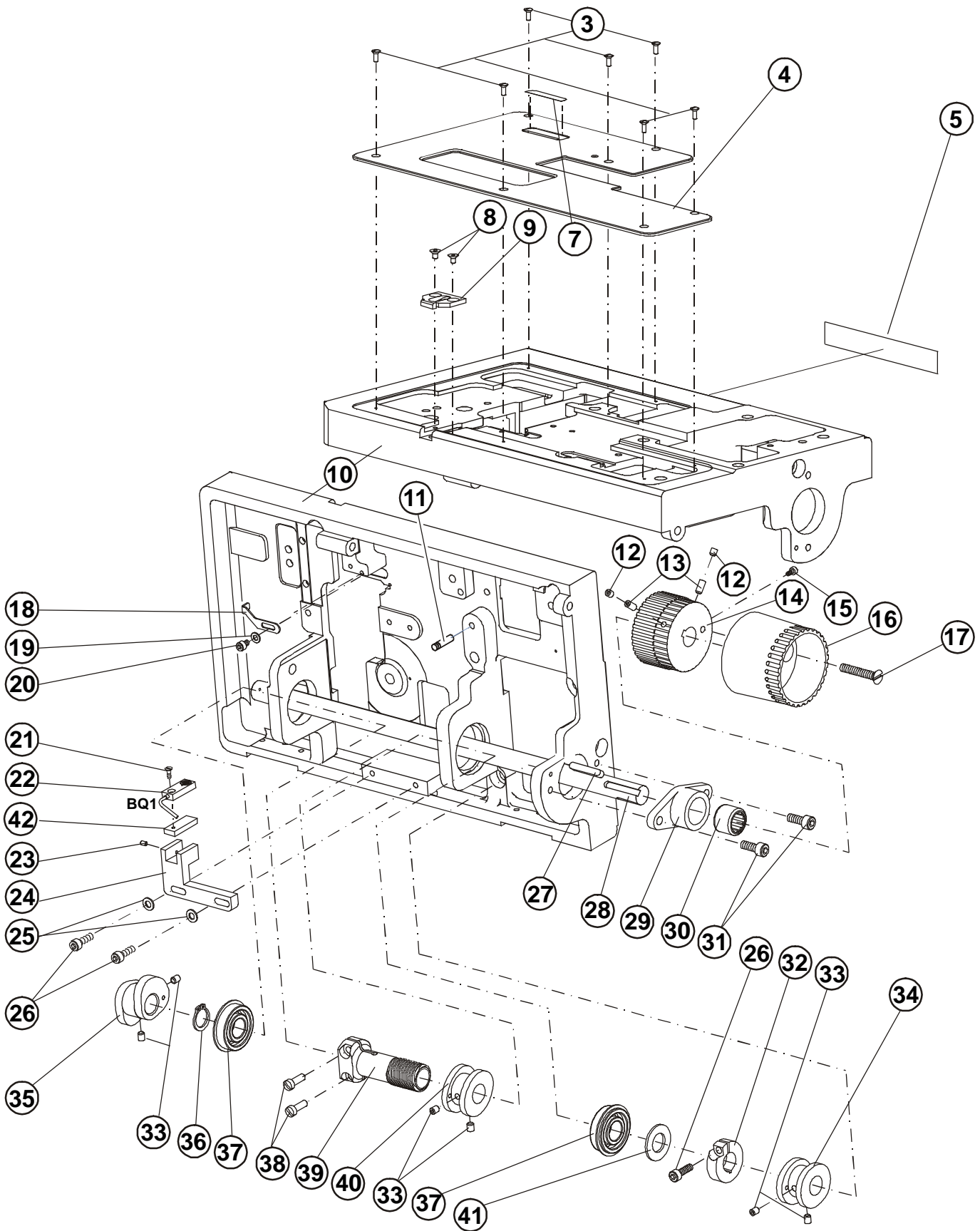
** Modification LS

Revised 07/2012

e-mail: service@amfreece.cz; parts@amfreece.cz; website: www.amfreece.com

Phone: +420 582 309 286; Fax: +420 582 360 606

BEDPLATE



Released 12/2009

e-mail: service@amfreece.cz; parts@amfreece.cz; website: www.amfreece.com

Phones: +420 582 309 146 (Service), +420 582 309 286 (Spare Parts) ; Fax: +420 582 360 606

BEDPLATE

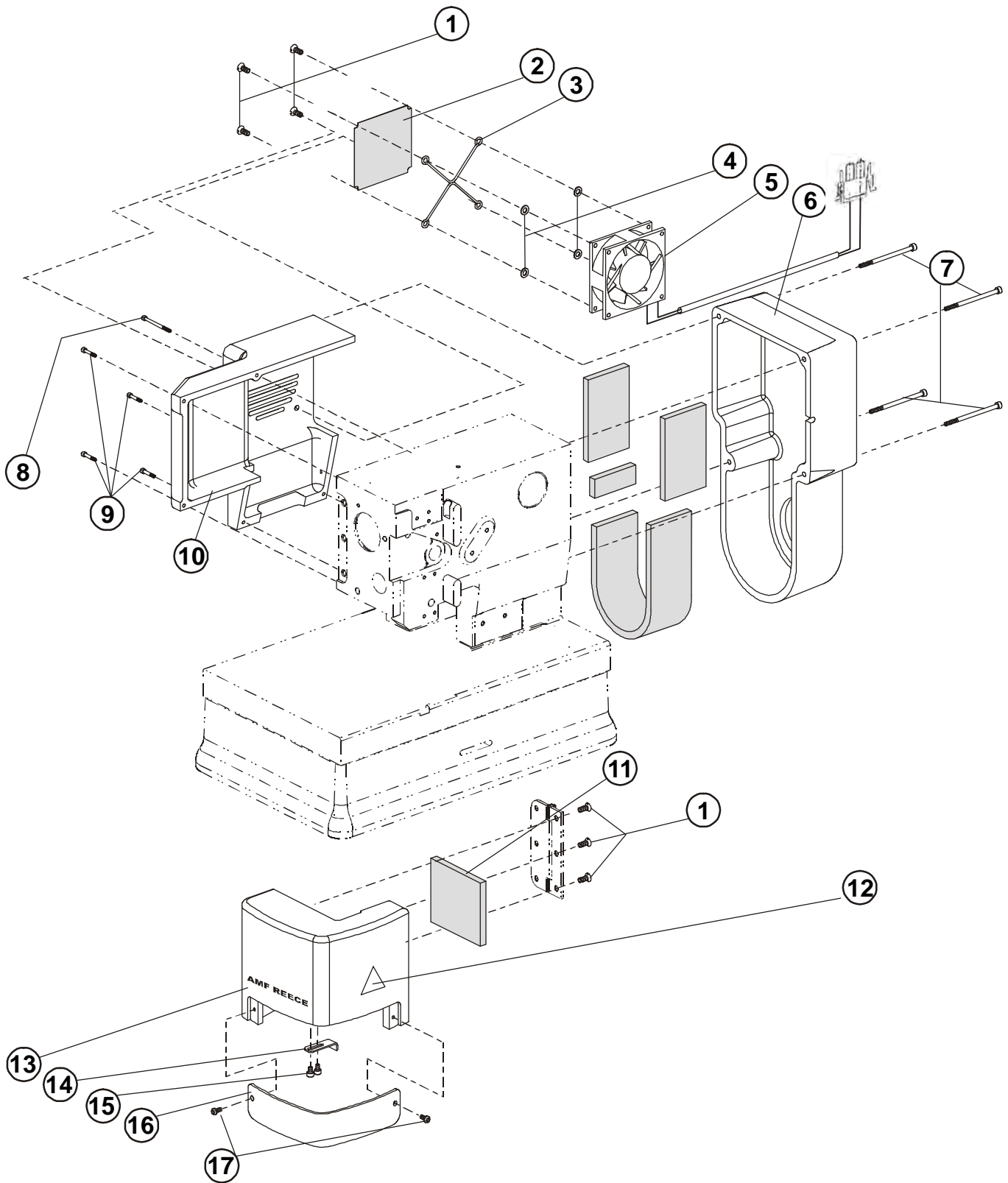
DET	PART NUMBER	DESCRIPTION	QTY.
3	08.6120.3.008	M3x8 Screw	7
4	22.6101.2.000	Cover Plate s=2mm (standard)	1
4		Cover Plate s=1mm (Extra Parts)	1
5	—	AMF Reece Label - small	1
7	22.0096.0.000	Buttonhole Size Sticker	1
8	08.6100.4.006	M4x6 Screw	2
9	22.0408.0.000	Trimmer Cover Plate	1
10	24.6100.0.000	Bedplate	1
11	07.6045.0.054	5 x 20 mm Pin	1
12	08.6400.5.005	M5 x 5 Set Screw	2
13	08.6400.5.010	M5 x 10 Set Screw	2
14	24.0018.0.000	Main Shaft Drive Pulley ●	1
15	08.6000.3.006	M3 x 6 Screw	1
16	24.0051.0.066	Hand Wheel ●	1
17	08.6100.6.035	M6 x 35 Screw	1
18	22.3219.0.000	Needle Guard	1
19	08.6850.4.000	M4 Washer	1
20	08.6000.4.006	M4 x 6 Screw	1
21	08.6100.3.008	M3 x 8 Screw	1
22	See Page 3-39	End of Cycle Sensor with Cable (BQ1) ●●●	—
23	08.6400.3.004	M3 x 4 Set Screw	1
24	24.0020.0.000	End of Cycle Sensor Bracket	1
25	08.6850.5.000	M5 Washer	2
26	08.6000.5.016	M5 x 16 Screw	3
27	12.4030.0.002	Key 5x5x30	1
28	24.1000.0.000	Main Shaft	1
29	24.0019.0.000	Bearing Carrier Lower Shaft	1
30	12.2050.0.005	Bearing	1
31	08.6000.6.016	M6 x 16 Screw	2
32	24.0002.0.000	Clamp Collar	1
33	08.6400.5.305	M5 x 0.5-5 Set Screw	6
34	22.0006.0.000	Bite Cam	1
35	24.2400.0.000	Looper Cam	1
36	12.1045.2.001	Retaining Ring	1
37	01.7805.0.000	Shaft Bearing	2
38	22.0153.0.000	Screw	2
39	22.8400.0.000	Shaft Worm Gear	1
40	22.0300.0.000	Feed Cam	1
41	22.0545.0.000	Washer	1
42	24.0027.0.000	Sensor Mounting Plate	1

Revised 01/2010

e-mail: service@amfreece.cz; parts@amfreece.cz; website: www.amfreece.com

Phones: +420 582 309 146 (Service), +420 582 309 286 (Spare Parts) ; Fax: +420 582 360 606

COVERS

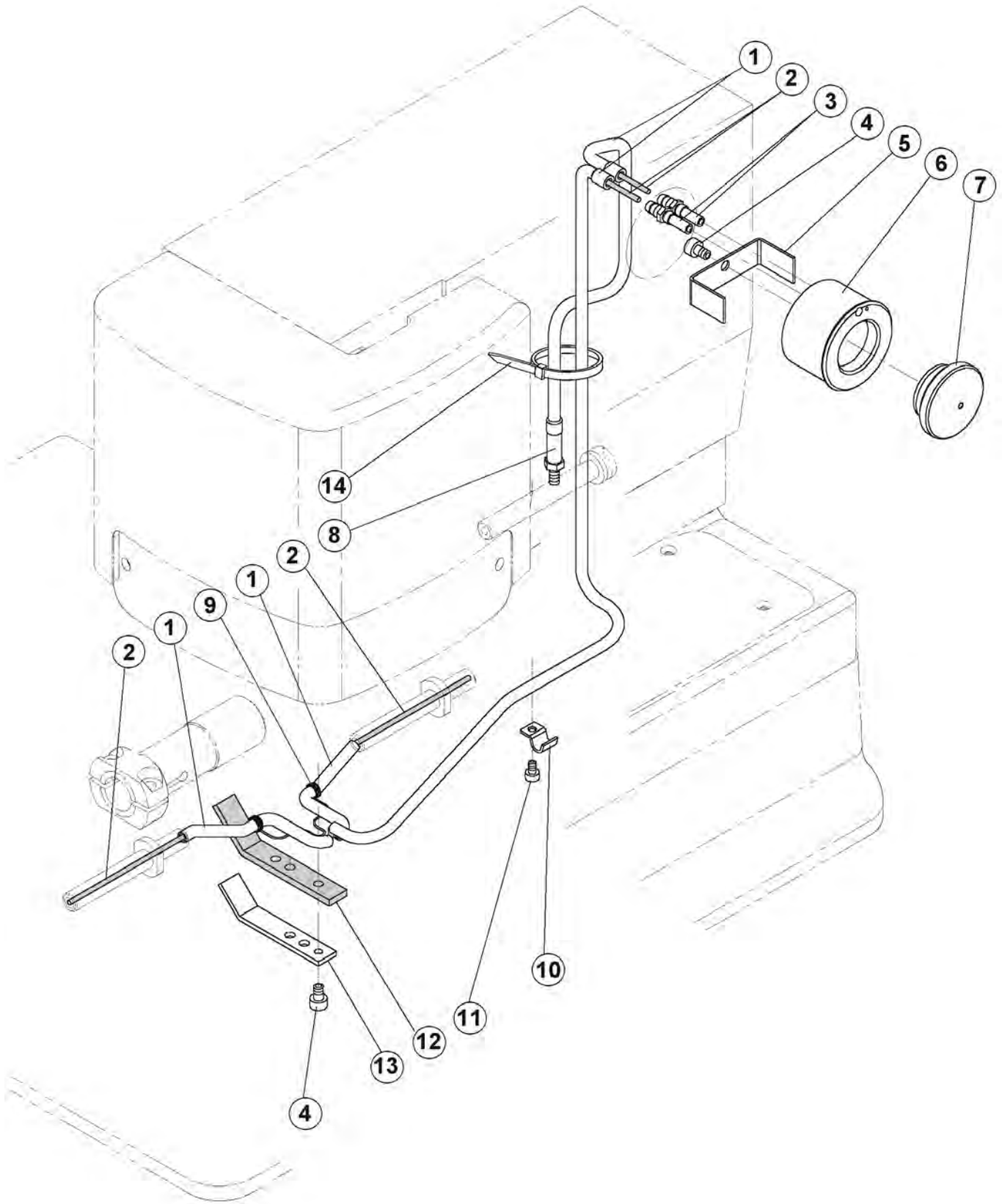


Released 12/2009

e-mail: service@amfreece.cz; parts@amfreece.cz; website: www.amfreece.com

Phones: +420 582 309 146 (Service), +420 582 309 286 (Spare Parts) ; Fax: +420 582 360 606

LUBRICATION



Released 12/2009

e-mail: service@amfreece.cz; parts@amfreece.cz; website: www.amfreece.com

Phones: +420 582 309 146 (Service), +420 582 309 286 (Spare Parts) ; Fax: +420 582 360 606

LUBRICATION

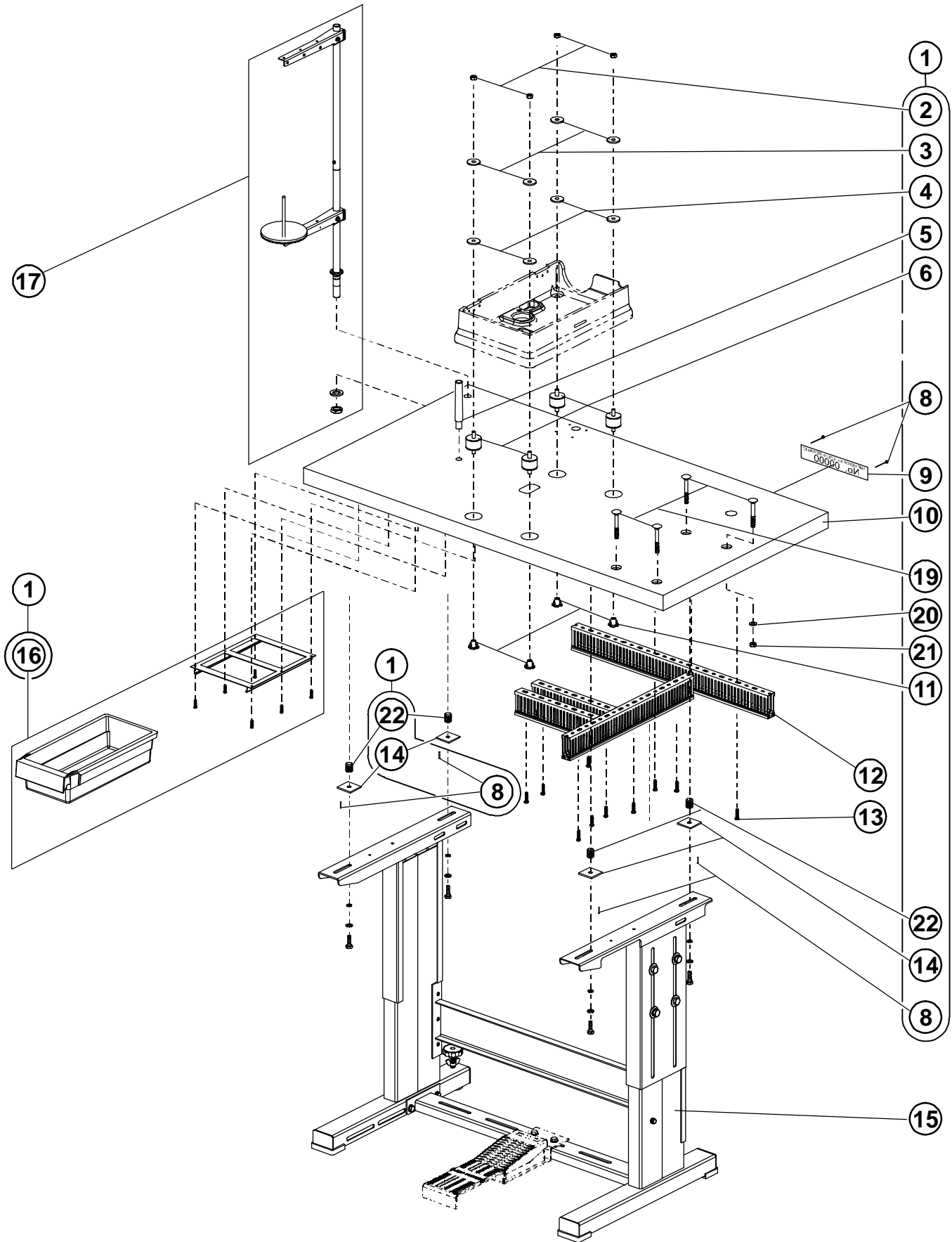
DET	PART NUMBER	DESCRIPTION	QTY.
01	24.0141.0.000	Tubing ●●●	1
02	24.0139.0.000	Lubricating Wick ●●●	1
03	22.0229.0.000	Straight Fitting	2
04	08.6000.4.006	M4 x 6 Screw	2
05	22.0120.0.000	Holder	1
06	22.0104.0.000	Oil Gauge Reservoir	1
07	17.0095.1.329	Wheel ●●●	1
08	22.0108.0.000	Wick Holder	1
09	17.0027.1.799	Spring	1
10	17.0082.6.000	Clamp	1
11	08.6000.3.006	M3 x 6 Screw	1
12	17.0094.5.310	Felt ●●●	1
13	22.0107.0.000	Worm Gear Felt Retainer	1
14	12.0008.3.023	Ty-wrap ●●●	1

Released 12/2009

e-mail: service@amfreece.cz; parts@amfreece.cz; website: www.amfreece.com

Phones: +420 582 309 146 (Service), +420 582 309 286 (Spare Parts) ; Fax: +420 582 360 606

TABLE CROSSWISE



Released 12/2009

e-mail: service@amfreece.cz; parts@amfreece.cz; website: www.amfreece.com

Phones: +420 582 309 146 (Service), +420 582 309 286 (Spare Parts) ; Fax: +420 582 360 606

TABLE CROSSWISE

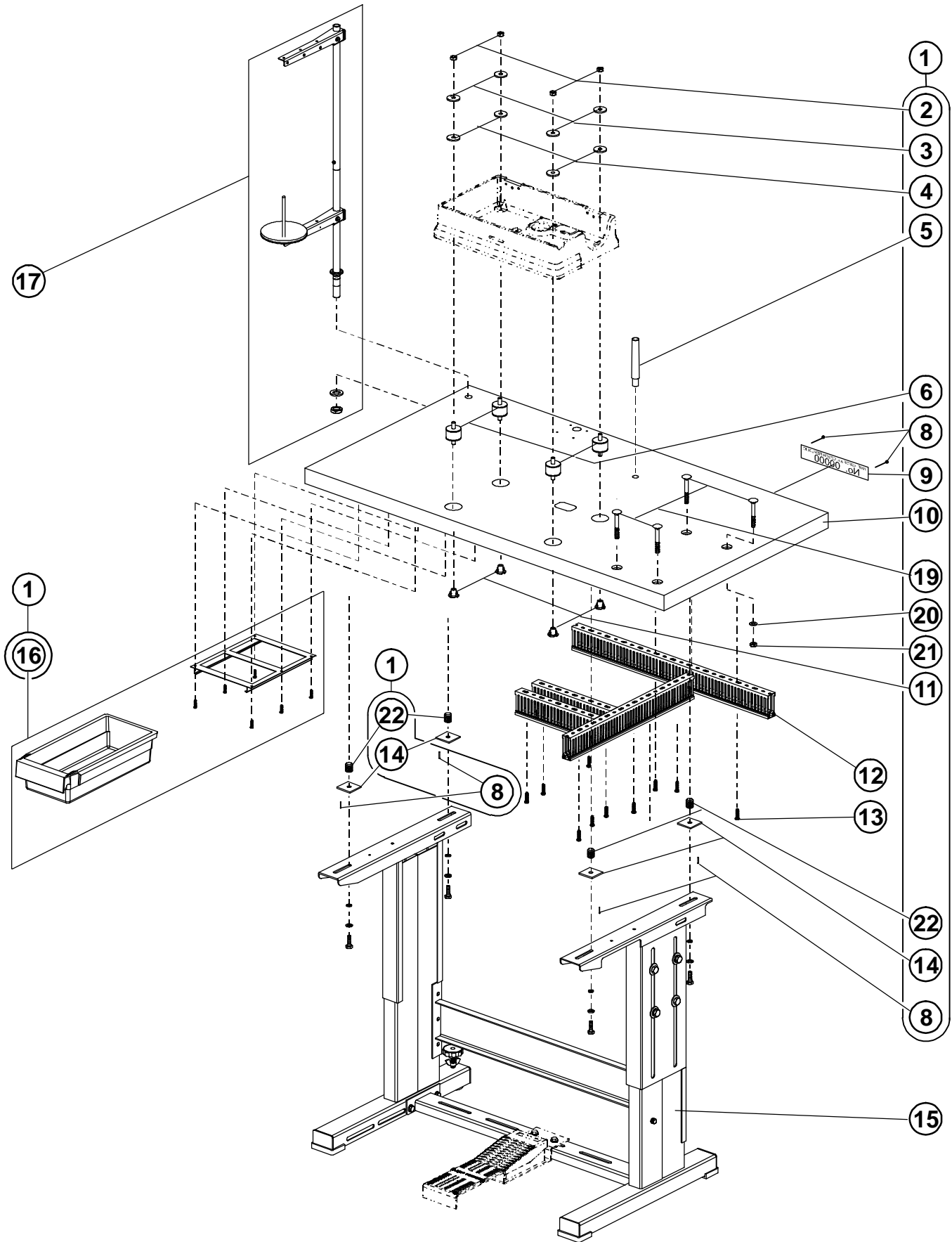
DET	PART NUMBER	DESCRIPTION	QTY.
01	24.0142.0.050	Table Crosswise Assembly	1
02	08.6700.8.000	M8 Nut	(4)
03	17.0019.0.441	Washer	(4)
04	17.0095.1.272	Washer	●●● (4)
05	12.0008.6.900	Machine Rest Table Pin	(1)
06	12.0008.6.801	Rubber Spring	●●● (4)
08	12.1016.1.000	Nail	●●● (6)
09	04.1416.0.003	Label "No. xxxx"	(1)
10	24.0142.0.000	Table Crosswise	●●● (1)
11	08.6742.8.000	M8 Nut	(4)
12	24.0059.9.065	Wire Raceway Kit	●●● 1
13	08.6663.5.025	Screw 4,8 - 25	10
14	17.0094.0.200	Washer	●●● (4)
15	04.9000.2.123	Frame Kit	1
16	12.0008.6.901	Drawer Kit	●●● (1)
17	22.0219.0.000	Thread Stand	1
19	08.6532.8.055	Screw M8x55	(4)
20	08.6852.8.000	Washer	(4)
21	08.6702.8.000	Nut	(4)
22	08.6752.8.000	Nut	(4)

Released 12/2009

e-mail: service@amfreece.cz; parts@amfreece.cz; website: www.amfreece.com

Phones: +420 582 309 146 (Service), +420 582 309 286 (Spare Parts) ; Fax: +420 582 360 606

TABLE PARALLEL



Released 12/2009

e-mail: service@amfreece.cz; parts@amfreece.cz; website: www.amfreece.com

Phones: +420 582 309 146 (Service), +420 582 309 286 (Spare Parts) ; Fax: +420 582 360 606

TABLE PARALLEL

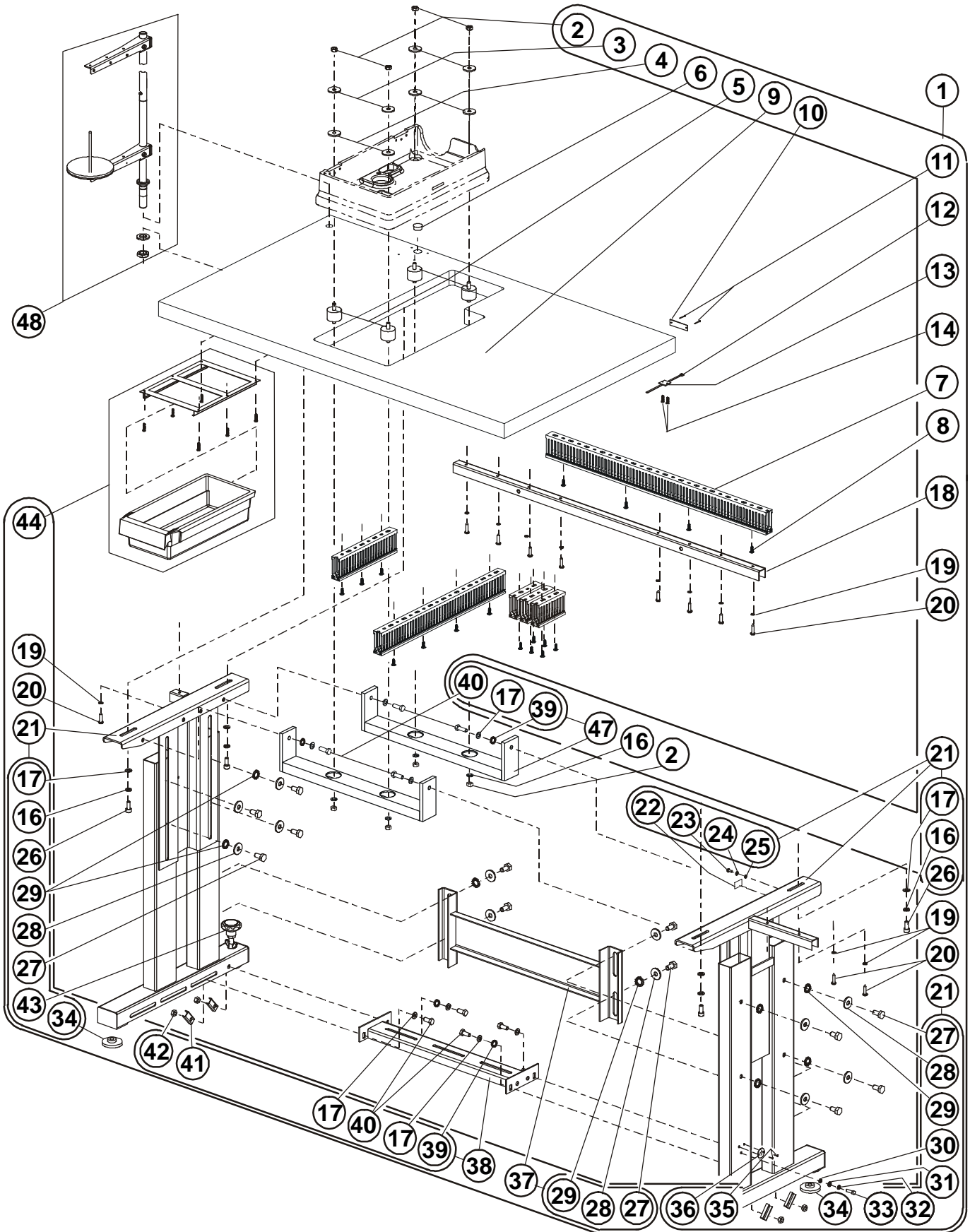
DET	PART NUMBER	DESCRIPTION	QTY.
01	24.0149.0.050	Table Crosswise Assembly	1
02	08.6700.8.000	M8 Nut	(4)
03	17.0019.0.441	Washer	(4)
04	17.0095.1.272	Washer	●●● (4)
05	12.0008.6.900	Machine Rest Table Pin	(1)
06	12.0008.6.801	Rubber Spring	●●● (4)
08	12.1016.1.000	Nail	●●● (6)
09	04.1416.0.003	Label "No. xxxx"	(1)
10	24.0149.0.000	Table Crosswise	●●● (1)
11	08.6742.8.000	M8 Nut	(4)
12	24.0059.9.065	Wire Raceway Kit	●●● 1
13	08.6663.5.025	Screw 4,8 - 25	10
14	17.0094.0.200	Washer	●●● (4)
15	04.9000.2.123	Frame Kit	1
16	12.0008.6.901	Drawer Kit	●●● (1)
17	22.0219.0.000	Thread Stand	1
19	08.6532.8.055	Screw M8x55	(4)
20	08.6852.8.000	Washer	(4)
21	08.6702.8.000	Nut	(4)
22	08.6752.8.000	Nut	(4)

Released 12/2009

e-mail: service@amfreece.cz; parts@amfreece.cz; website: www.amfreece.com

Phones: +420 582 309 146 (Service), +420 582 309 286 (Spare Parts) ; Fax: +420 582 360 606

TABLE EMBEDDED — TKF



Released 12/2009

e-mail: service@amfreece.cz; parts@amfreece.cz; website: www.amfreece.com

Phones: +420 582 309 146 (Service), +420 582 309 286 (Spare Parts) ; Fax: +420 582 360 606

TABLE EMBEDDED — TKF

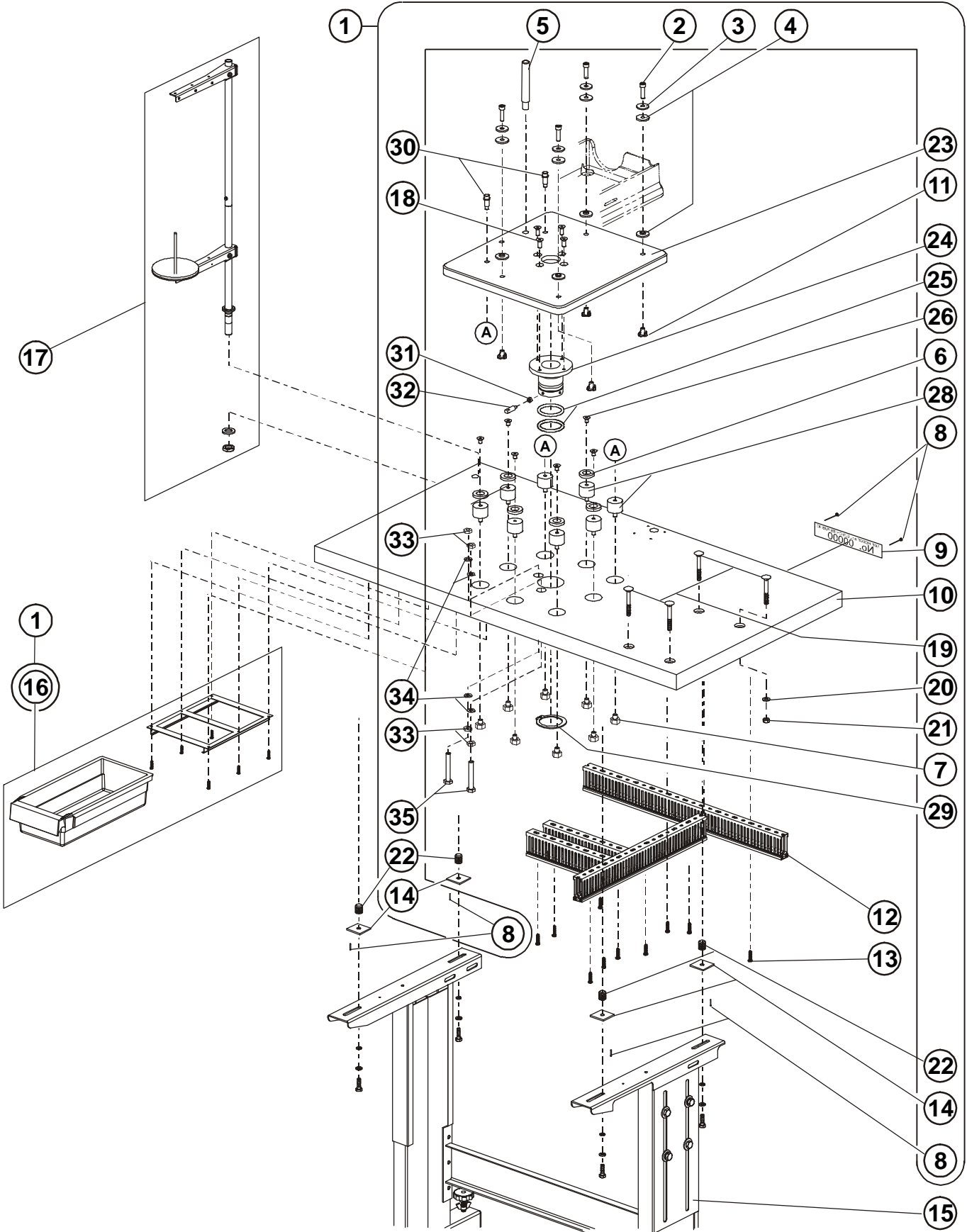
DET	PART NUMBER	DESCRIPTION	QTY.
01	04.9024.0.001	Frame Assembly	1
02	08.6700.8.000	Nut M8	(8)
03	17.0019.0.441	Washer	(4)
04	17.0095.1.272	Rubber Washer ●●●	(4)
05	12.0008.6.801	Rubber Spring	(4)
06	12.0008.4.777	Plug	(1)
07	24.0069.9.040	Latch For Kit ●●●	(1)
08	08.6676.3.020	Screw 3,5 x 20	(17)
09	04.9024.0.900	Table ●●●	(1)
10	04.1416.0.003	Label "No. xxxx"	(1)
11	12.1016.1.000	Nail	(2)
12	12.0008.3.023	Ty-wrap ●●●	(1)
13	12.0008.4.058	Clip	(1)
14	08.6652.3.016	Screw 3 x 16	(2)
15			
16	08.6802.8.000	Spring Washer	(4)+(4)
17	08.6852.8.000	Washer	(4)+(4)+(4)
18	04.9024.0.361	Reinforcement Crossbar	(1)
19	08.6852.5.000	Washer M5	(11)
20	08.6663.5.025	Screw 4,8 x 25	(11)
21	04.9024.0.002	Frame Assembly	(1)
22	12.0008.4.052	Label	((1))
23	08.6012.4.010	Screw M4 x 10	((1))
24	08.6852.4.000	Washer 4,3	((1))
25	08.6832.4.000	Lock Washer M4	((1))
26	08.6312.8.025	Screw M8 x 25	((4))
27	08.6312.0.020	Screw M10 x 20	((12))
28	08.6882.0.000	Washer M10	((12))
29	08.6832.0.000	Washer 10,5	((8+2+2))
30	08.6832.6.000	Lock Washer M6	((1))
31	08.6852.6.000	Washer 6,4	((1))
32	08.6802.6.000	Spring Washer	((1))
33	08.6312.6.020	Screw M6 x 20	((1))
34	12.0008.6.813	Rubber Washer ●●●	((3))
35	12.1016.0.000	Drive Screw	((2))
36	17.0081.6.225	Label	((1))
37	04.9000.0.225	Crossbar Rear	(1)
38	04.9000.0.125	Crossbar Down	(1)
39	08.6832.8.000	Lock Washer M8	((2)+(2))
40	08.6312.8.020	Screw	((4)+(4)+(4))
41	12.0008.6.964	Washer - U	((4))
42	08.6702.8.000	Nut M8	(4)
43	12.0008.6.965	Yielding Support	(1)
44	12.0008.6.901	Drawer Kit ●●●	(1)
45	08.6700.6.000	Nut M6	(3)
46	08.6700.6.000	Screw M6 x 40	(1)
47	04.9000.0.345	Crossbar Up Assembly	((1))
48	22.0219.0.000	Thread Stand	1

Released 12/2009

e-mail: service@amfreece.cz; parts@amfreece.cz; website: www.amfreece.com

Phones: +420 582 309 146 (Service), +420 582 309 286 (Spare Parts) ; Fax: +420 582 360 606

TABLE UNIVERSAL



Released 12/2009

e-mail: service@amfreece.cz; parts@amfreece.cz; website: www.amfreece.com

Phones: +420 582 309 146 (Service), +420 582 309 286 (Spare Parts) ; Fax: +420 582 360 606

TABLE UNIVERSAL

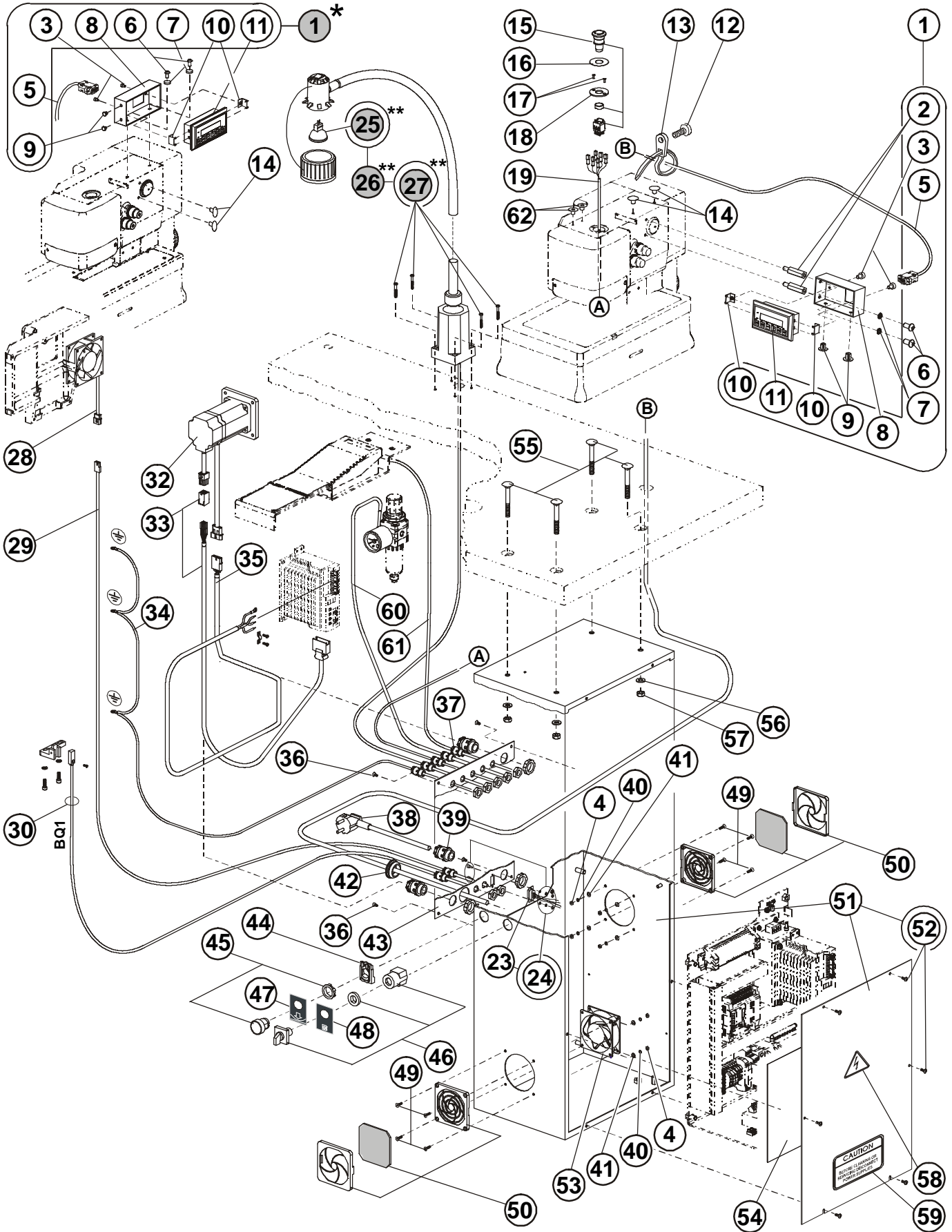
DET	PART NUMBER	DESCRIPTION	QTY.
01	24.0150.0.050	Table Assembly	1
02	08.6000.8.030	Screw M8x30	(4)
03	17.0019.0.441	Washer	(4)
04	17.0095.1.272	Washer	(8)
05	12.0008.6.900	Machine Rest Table Pin	(1)
06	24.0081.0.000	Bearing Disk	(6)
07	24.0082.0.000	Retaining Nut	
08	12.1016.1.000	Nail	(6)
09	04.1416.0.003	Label "No. xxxx"	(1)
10	24.0150.0.000	Table	(1)
11	08.6742.8.000	M8 Nut	(4)
12	24.0059.9.065	Wire Raceway Kit	1
13	08.6663.5.025	Screw 4,8 - 25	10
14	17.0094.0.200	Washer	(4)
15	04.9000.2.123	Frame Kit	1
16	12.0008.6.901	Drawer Kit	(1)
17	22.0219.0.000	Thread Stand	1
18	08.6100.8.020	Screw M8x20	(4)
19	08.6532.8.055	Screw M8x55	(4)
20	08.6852.8.000	Washer	(4)
21	08.6702.8.000	Nut	(4)
22	08.6752.8.000	Nut	(4)
23	24.0079.0.000	Base Plate	(1)
24	24.0086.0.000	Pivot, Base Subplate	(1)
25	12.0008.6.807	O Ring 50x6	(2)
26	08.6100.8.012	Screw M8x12	(6)
28	24.0084.0.000	Cylindrical Vibrator Isolator	(8)
29	12.1040.1.009	Ring 58	(1)
30	24.0087.0.000	Shoulder Screw	(2)
31	08.6700.6.000	Nut M6	(1)
32	24.0089.0.000	Stop Pin	(1)
33	08.6710.0.300	Nut M10	(4)
34	08.6850.0.000	Washer M10	(4)
35	08.6300.0.070	Screw M10x70	(2)

Released 12/2009

e-mail: service@amfreece.cz; parts@amfreece.cz; website: www.amfreece.com

Phones: +420 582 309 146 (Service), +420 582 309 286 (Spare Parts) ; Fax: +420 582 360 606

ELECTRICAL — I



Released 12/2009

e-mail: service@amfreece.cz; parts@amfreece.cz; website: www.amfreece.com

Phones: +420 582 309 146 (Service), +420 582 309 286 (Spare Parts) ; Fax: +420 582 360 606

ELECTRICAL — I

DET	PART NUMBER	DESCRIPTION	QTY.
01	03.5524.0.009	Panel Kit	1
02	12.0008.4.565	Screw	(2)
03	08.6000.4.006	Screw	(2)
04	08.6702.4.000	Nut M4	8
05	12.0008.4.574	Cable	(1)
06	08.6200.6.012	Screw	(2)
07	08.6832.6.000	Serrated Washer	(2)
08	24.0146.0.000	Display Box	(1)
09	12.0008.4.571	Plug	(2)
10	24.0147.0.000	Panel Holder	(2)
11	24.8001.0.005	Display	(1)
12	See Page 3-2	Screw M6x16	—
13	See Page 3-2	Plastic Cable Fitting	—
14	12.0008.4.570	Plug	2
15	12.0008.4.563	Emergency Stop Button	1
16	12.8000.0.047	Label	1
17	08.6102.3.008	Screw	2
18	24.0148.0.000	Emergency Stop Cover	1
19	24.0069.9.023	Emergency Stop Cable	1
23	24.0069.9.004	Cable	1
24	12.0008.4.710	Screw Kit	1
25**	12.0008.4.679	Bulb 12V/12W	(1)**
26**	12.0008.4.403	Halogen Lamp Kit 12 V Assembly	1**
27**	—	Screw	(4)**
28	24.0059.9.069	Fan	1
29	24.0069.9.027	Fan Cable	1
30	24.0069.9.006	End of Cycle Sensor with Cable (BQ1)	1
32	24.0059.9.064	Servomotor Assembly	1
33	24.0069.9.008	Encoder Cable	1
34	—	Cable	1
35	24.0069.9.002	Motor Power Cable	1
36	08.6100.4.010	Screw	4
37	12.0008.4.207	Bushing	7
38	12.0008.4.713	Cable	1
39	12.0008.4.231	Bushing	3
40	08.6802.4.000	Washer	4
41	08.6852.4.000	Washer	4
42	12.0008.4.366	Plug PG 29	1
43	24.0138.0.000	Connectors Plate ISBH	1
44	12.0008.4.863	Block	1
45	12.0008.4.861	Switch (Black)	1
46	12.0008.4.835	Switch ON — OFF	1
47	12.8000.0.041	Label (Clamp Up/Down)	1
48	12.8000.0.040	Label	1
49	08.6100.4.014	Screw	1
50	12.0008.4.762	Fan Cover With Filter	2
51	70.4165.1.125	Electrical Box	1
52	08.6032.4.010	Screw M4x10	(6)
53	24.0059.9.017	Fan	1

** — Extra Parts

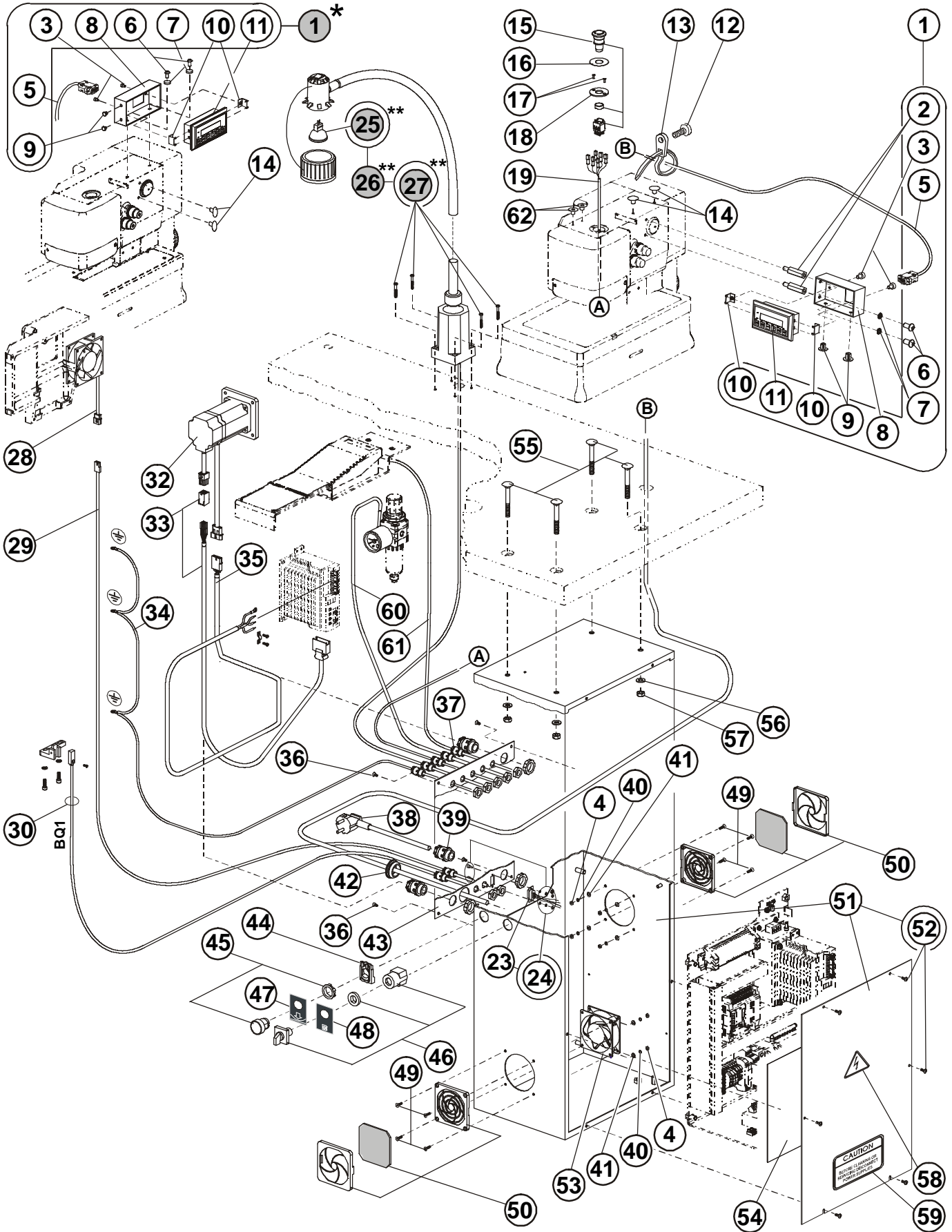
Released 12/2009

e-mail: service@amfreece.cz; parts@amfreece.cz; website: www.amfreece.com

Phones: +420 582 309 146 (Service), +420 582 309 286 (Spare Parts) ; Fax: +420 582 360 606



ELECTRICAL — I



Released 12/2009

e-mail: service@amfreece.cz; parts@amfreece.cz; website: www.amfreece.com

Phones: +420 582 309 146 (Service), +420 582 309 286 (Spare Parts) ; Fax: +420 582 360 606

ELECTRICAL — I



DET	PART NUMBER	DESCRIPTION	QTY.
54	12.8000.0.044	Electrical Diagram Label	1
55	See Page 3-32	Screw M8x55	—
56	See Page 3-32	Washer	—
57	See Page 3-32	Nut	—
58	12.0008.4.155	Label	1
59	00.2751.3.602	Label "CAUTION"	1
60	See Page 3-51	Pressure Gauge	—
61	See Page 3-47	Cable	—
62	08.6215.4.006	Screw	2

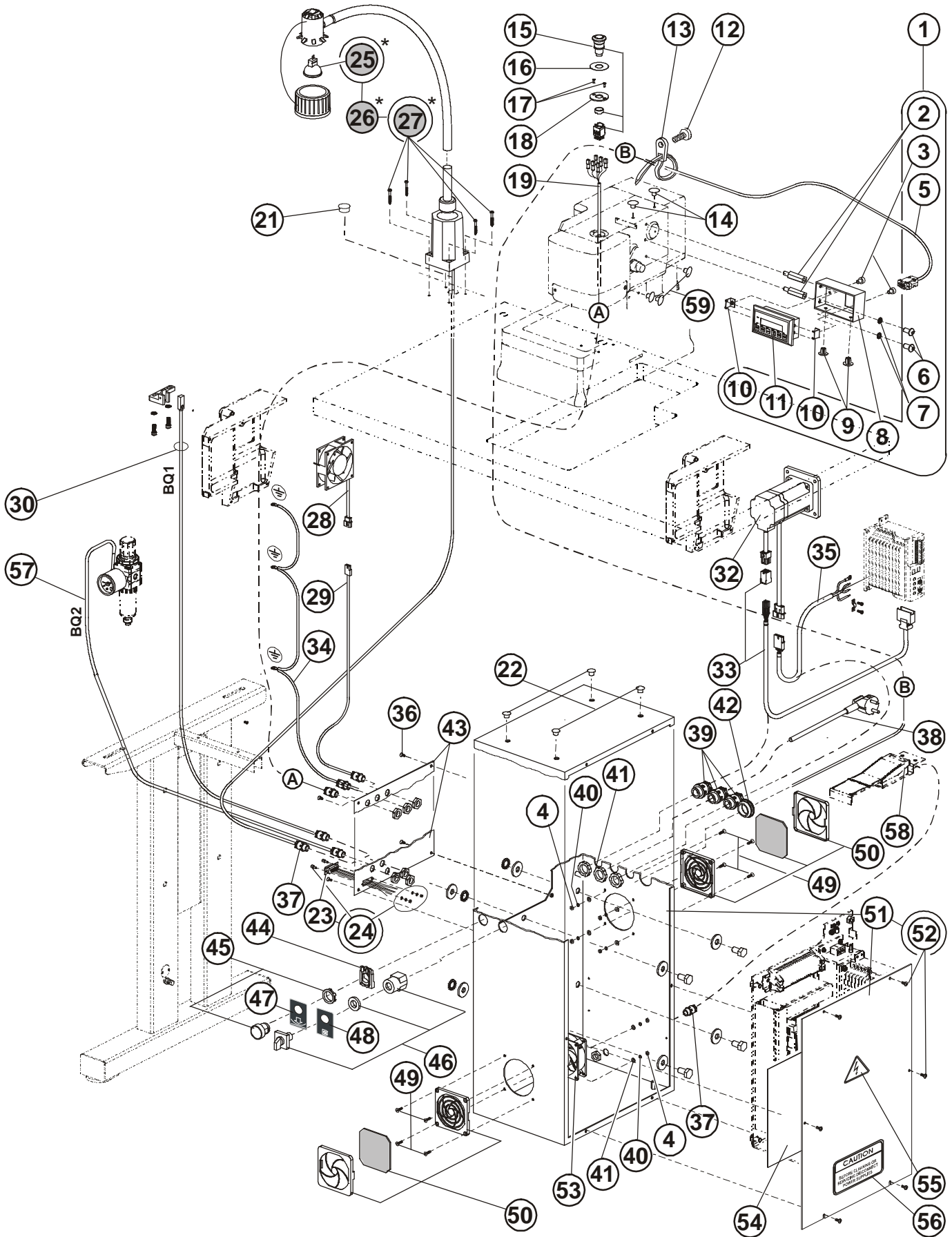
** — Extra Parts

Released 12/2009

e-mail: service@amfreece.cz; parts@amfreece.cz; website: www.amfreece.com

Phones: +420 582 309 146 (Service), +420 582 309 286 (Spare Parts) ; Fax: +420 582 360 606

ELECTRICAL — I TABLE EMBEDDED



Released 12/2009

e-mail: service@amfreece.cz; parts@amfreece.cz; website: www.amfreece.com

Phones: +420 582 309 146 (Service), +420 582 309 286 (Spare Parts) ; Fax: +420 582 360 606

ELECTRICAL — I TABLE EMBEDDED

PAGE	PART NUMBER	DESCRIPTION	QTY.
01	03.5524.0.009	Panel Kit	1
2	12.0008.4.565	Screw	(2)
3	08.6000.4.006	Screw	(2)
4	08.6702.4.000	Nut M4	8
5	12.0008.4.574	Cable	(1)
6	08.6200.6.012	Screw	(2)
7	08.6832.6.000	Serrated Washer	(2)
8	24.0146.0.000	Display Box	(1)
9	12.0008.4.571	Plug	(2)
10	24.0147.0.000	Panel Holder	(2)
11	24.8001.0.005	Display	(1)
12	See Page 3-2	Screw M6x16	—
13	See Page 3-2	Plastic Cable Fitting	—
14	12.0008.4.570	Plug	2
15	12.0008.4.563	Emergency Stop Button	1
16	12.8000.0.047	Label	1
17	08.6102.3.008	Screw	2
18	24.0148.0.000	Emergency Stop Cover	1
19	24.0069.9.023	Emergency Stop Cable	1
21	12.0008.4.777	Plug	1
22	12.0008.4.215	Plug	4
23	24.0069.9.004	Cable	1
24	12.0008.4.710	Screw Kit	1
25*	12.0008.4.679	Bulb 12V/12W	(1)
26*	12.0008.4.403	Halogen Lamp Kit 12 V Assembly	1
27*	—	Screw	(4)
28	24.0059.9.069	Fan	1
29	24.0069.9.027	Fan Cable	1
30	24.0069.9.006	End of Cycle Sensor with Cable	1
32	24.0059.9.064	Servomotor Assembly	1
33	24.0069.9.042	Encoder Cable	1
34	—	Cable	1
35	24.0069.9.043	Motor Power Cable	1
36	08.6100.4.010	Screw	4
37	12.0008.4.207	Bushing	7
38	12.0008.4.713	Cable	1
39	12.0008.4.231	Bushing	3
40	08.6802.4.000	Washer	4
41	08.6852.4.000	Washer	4
42	12.0008.4.366	Plug PG 29	1
43	04.9024.0.650	Connectors Plate ISBH	1
44	12.0008.4.863	Block	1
45	12.0008.4.861	Switch (Black)	1
46	12.0008.4.835	Switch ON — OFF	1
47	12.8000.0.041	Label (Clamp Up/Down)	1
48	12.8000.0.040	Label (Main Switch)	1
49	08.6100.4.014	Screw	1
50	12.0008.4.472	Fan Cover With Filter	2
51	04.9024.0.500	Electrical Box	1

* — Extra Parts

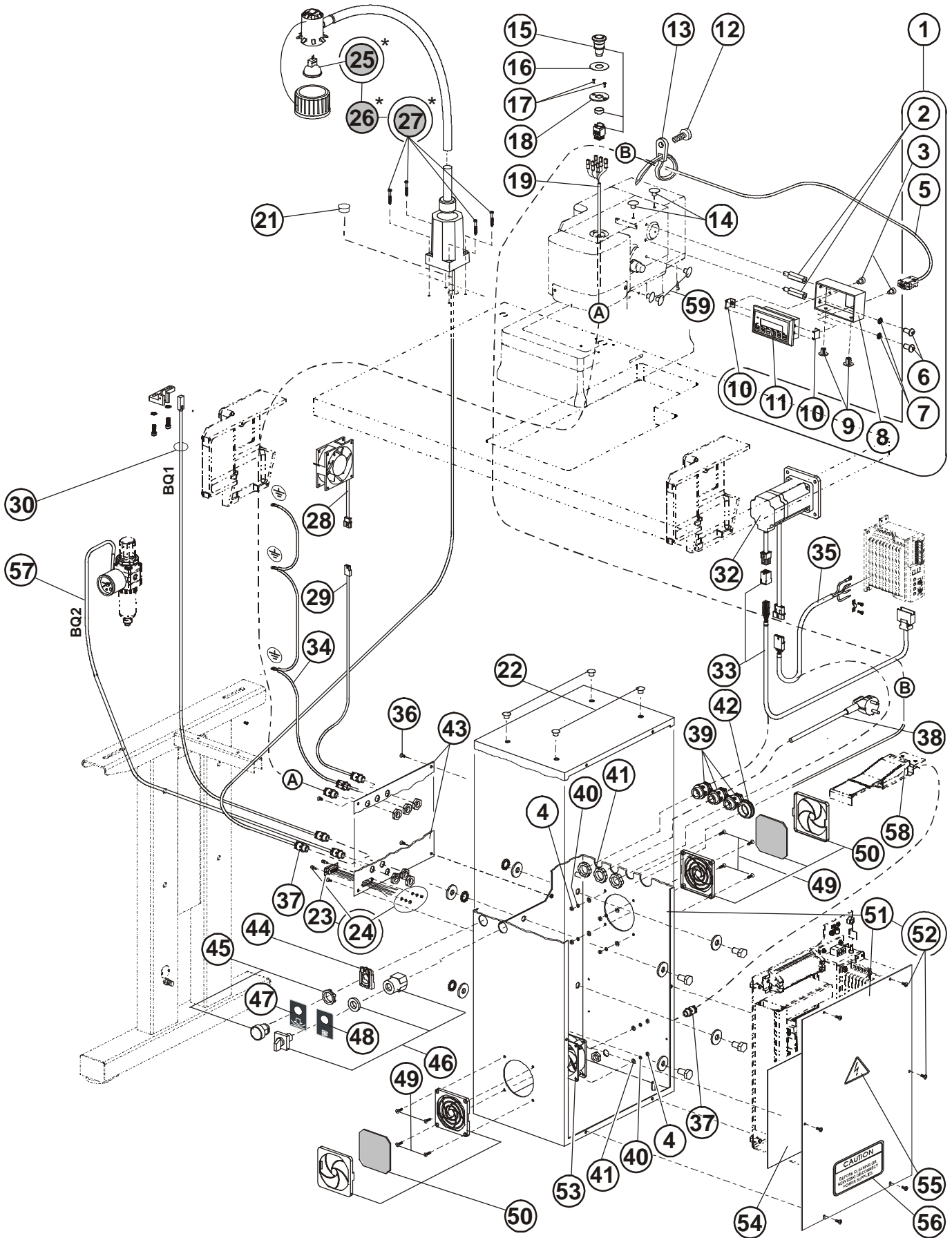
Released 12/2009

e-mail: service@amfreece.cz; parts@amfreece.cz; website: www.amfreece.com

Phones: +420 582 309 146 (Service), +420 582 309 286 (Spare Parts) ; Fax: +420 582 360 606



ELECTRICAL — I TABLE EMBEDDED



Released 12/2009

e-mail: service@amfreece.cz; parts@amfreece.cz; website: www.amfreece.com

Phones: +420 582 309 146 (Service), +420 582 309 286 (Spare Parts) ; Fax: +420 582 360 606

ELECTRICAL — I TABLE EMBEDDED



PAGE	PART NUMBER	DESCRIPTION	QTY.
52	08.6032.4.010	Screw M4x10	(6)
53	24.0059.9.017	Fan	1
54	12.8000.0.065	Electrical Diagram Label	1
55	12.0008.4.155	Label	1
56	00.2751.3.602	Label "CAUTION"	1
57	See Page 3-51	Pressure Gauge	—
58	See Page 3-47	Cable	—
59	12.0010.4.094	Plug	3

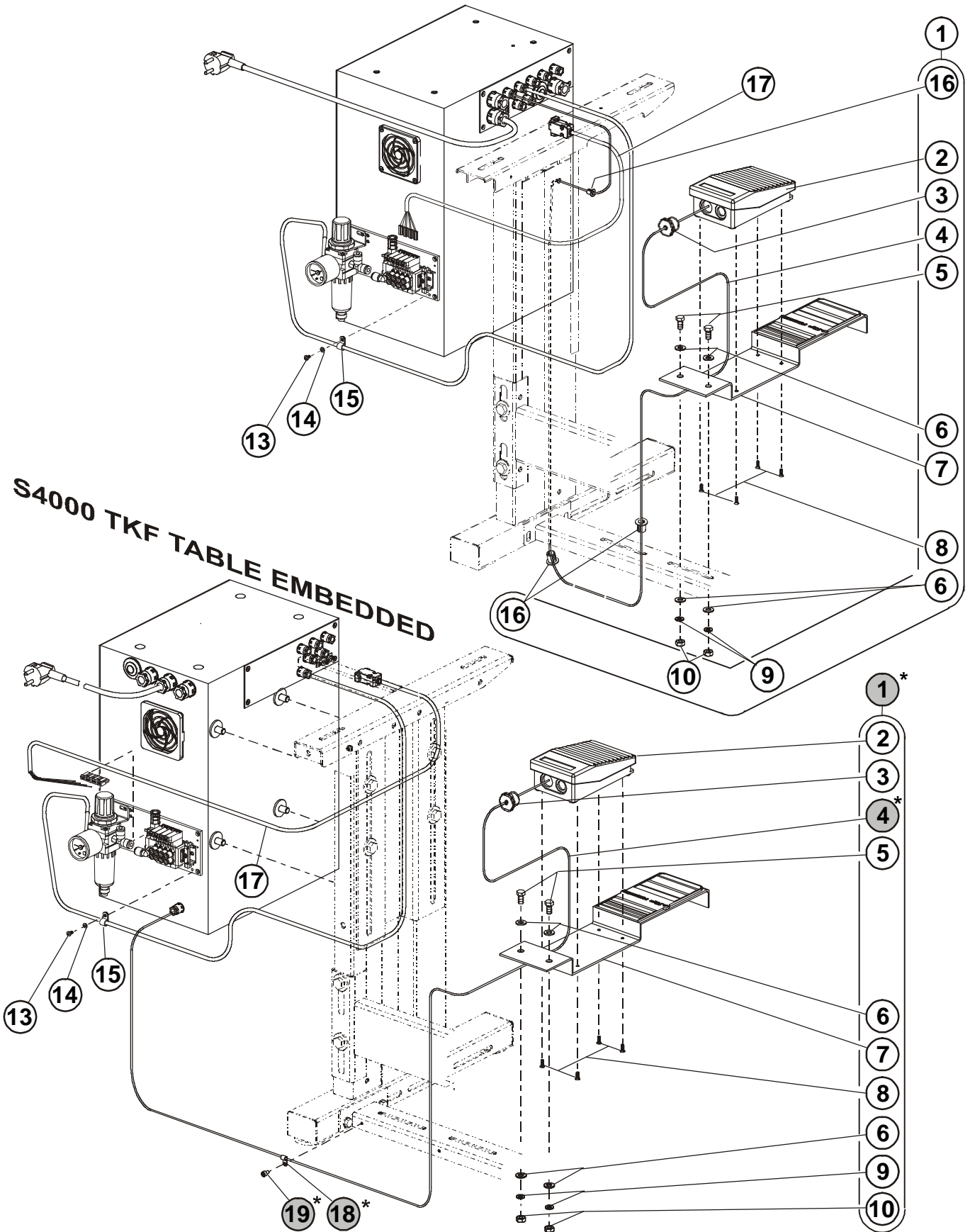
* — Extra Parts

Released 12/2009

e-mail: service@amfreece.cz; parts@amfreece.cz; website: www.amfreece.com

Phones: +420 582 309 146 (Service), +420 582 309 286 (Spare Parts) ; Fax: +420 582 360 606

ELECTRICAL — II

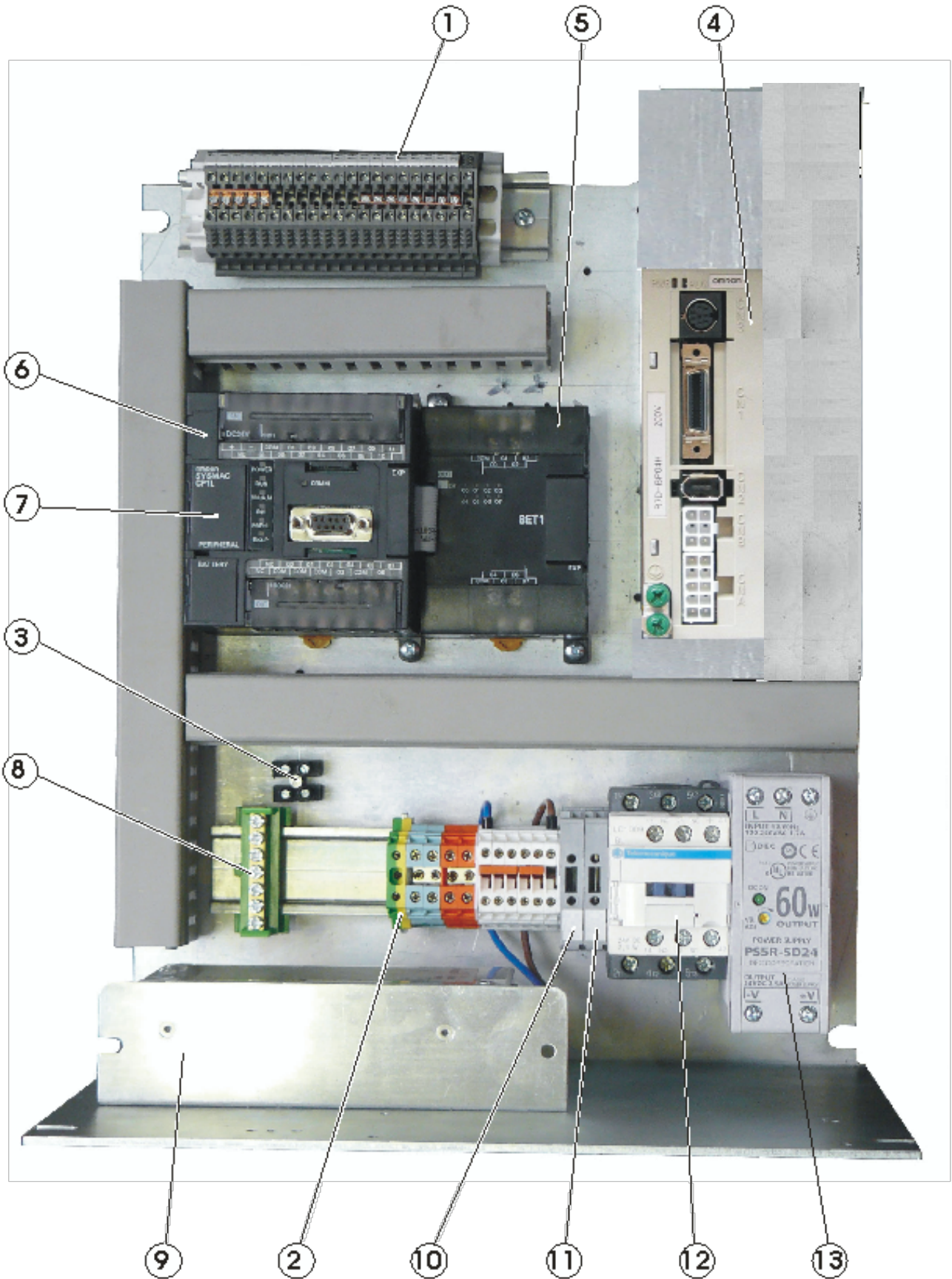


Released 12/2009

e-mail: service@amfreece.cz; parts@amfreece.cz; website: www.amfreece.com

Phones: +420 582 309 146 (Service), +420 582 309 286 (Spare Parts) ; Fax: +420 582 360 606

ELECTRICAL — III



Released 12/2009

e-mail: service@amfreece.cz; parts@amfreece.cz; website: www.amfreece.com

Phones: +420 582 309 146 (Service), +420 582 309 286 (Spare Parts) ; Fax: +420 582 360 606

ELECTRICAL — III

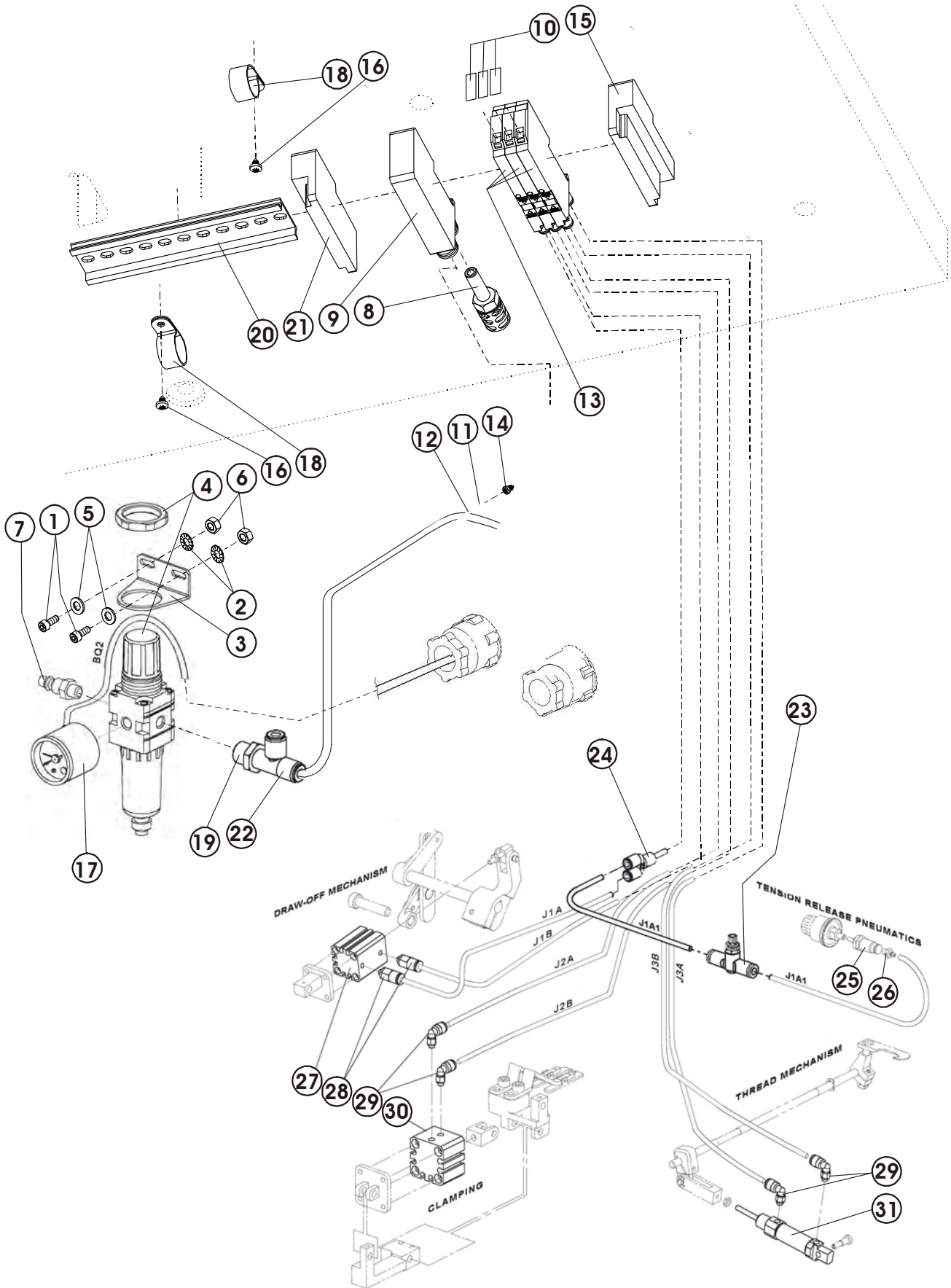
DET	PART NUMBER	DESCRIPTION	QTY.
01		Terminal X1	1
02		Terminal XO	1
03		Terminal X12	1
04	24.8001.2.005	Servo (U1)	1
05	12.0010.4.071	Extension Block (FXON)	1
06	24.8001.2.001	PCL	1
07	12.0010.4.067	Port RS 232	1
08	12.0008.4.050	GND Bridge	1
09	12.0010.4.078	Filter (Z2)	1
10	12.0008.4.665	Fuse T2A	1
11	12.0008.4.664	Fuse T10A	1
12	12.0008.4.833	Contactactor (KM1)	1
13	12.0010.4.071	Power (GS1)	1

Revised 01/2010

e-mail: service@amfreece.cz; parts@amfreece.cz; website: www.amfreece.com

Phones: +420 582 309 146 (Service), +420 582 309 286 (Spare Parts) ; Fax: +420 582 360 606

PNEUMATICS



Released 12/2009

e-mail: service@amfreece.cz; parts@amfreece.cz; website: www.amfreece.com

Phones: +420 582 309 146 (Service), +420 582 309 286 (Spare Parts) ; Fax: +420 582 360 606

PNEUMATICS

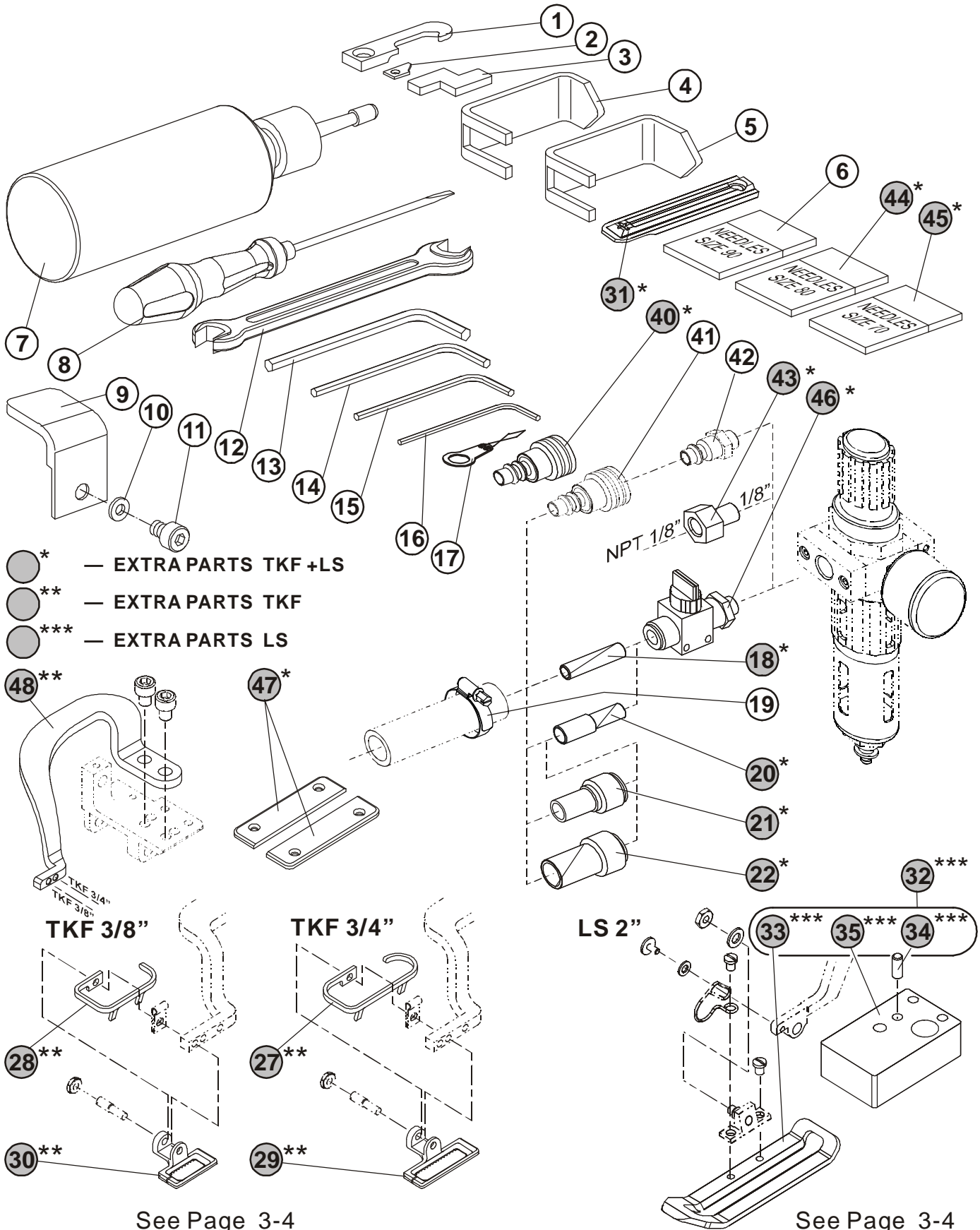
DET	PART NUMBER	DESCRIPTION	QTY.
01	08.6000.5.012	Screw M5x12	2
02	08.6832.5.000	Washer M5	2
03	12.0008.3.659	Regulator Holder	1
04	12.0008.3.753	Regulator	1
05	08.6850.5.000	Washer M5	2
06	08.6700.5.000	Nut M5	2
07	12.0008.3.420	Connector	1
08	12.0008.3.484	Silencer	1
09	12.0008.3.829	Air Supply Block Assembly	1
10	12.8000.0.016	Label Kit	1
11	12.0008.4.058	Clip	●●● 3
12	12.0008.3.023	Ty-wrap	●●● 3
13	12.0008.3.828	Pneumatic Valve	3
14	08.6662.3.006	Screw	2
15	12.0008.3.830	Rail Stopper	1
16	08.6683.4.007	Screw	2
17	12.0008.3.418	Pressure Gauge	1
18	12.0008.4.280	Clamp	2
19	12.0008.3.605	Connector	1
20	12.0008.3.832	DIN Rail	1
21	12.0008.3.831	Rail Stopper	1
22	12.0008.3.606	Connector	●●● 1
23	12.0008.3.430	Speed Controller	●●● 1
24	12.0008.3.623	Connector	1
25	12.0008.3.413	Cylinder	1
26	12.0008.3.409	Connector	1
27	12.0008.3.433	Knife Cylinder	1
28	12.0008.3.409	Connector	2
29	12.0008.3.411	Connector	●●● 4
30	12.0008.3.412	Clamp Cylinder	● 1
31	24.0050.0.000	Trimmer Cylinder	1
32	24.0145.1.000	Air Tubing 6x1 BL J01 = 1500 mm Air Tubing 4x0,75 BL J1A = J1B = J1A1= J2A = J2B = J3A = J3B = 600 mm	●●● 1

Released 12/2009

e-mail: service@amfreece.cz; parts@amfreece.cz; website: www.amfreece.com

Phones: +420 582 309 146 (Service), +420 582 309 286 (Spare Parts) ; Fax: +420 582 360 606

ACCESSORIES — EXTRA PARTS




Released 12/2009

e-mail: service@amfreece.cz; parts@amfreece.cz; website: www.amfreece.com

Phones: +420 582 309 146 (Service), +420 582 309 286 (Spare Parts) ; Fax: +420 582 360 606

ACCESSORIES — EXTRA PARTS

DET	PART NUMBER	DESCRIPTION	QTY.
01	20.0093.2.004	Trimmer Hook	1
02	20.0094.0.000	Trimmer Knife	1
03	22.0209.0.000	Looper Gauge	1
04	24.0030.0.000	Main Shaft Pulley Bracket	1
05	24.0024.0.000	Needle Bar Shaft Pulley Bracket	1
06	02.0750.2.110	Needles, Size 90	10
07	05.1322.0.000	Oiler 	1
08	12.0008.6.001	Screwdriver	1
09	22.0213.0.000	Bracket	1
10	08.6850.4.000	Washer M4	1
11	08.6000.4.005	Screw M4x5	1
12	12.0008.6.109	Wrench	1
13	12.0008.6.102	Allen Key Wrench 4	1
14	12.0008.6.101	Allen Key Wrench 3	1
15	12.0008.6.112	Allen Key Wrench 2-1/2	1
16	12.0008.6.100	Allen Key Wrench 2	1
17	12.0008.6.105	Needle Threader	1
18	12.0008.3.464	Connector	—
19	12.0008.3.251	Air Tubing Clamp	1
20	12.0008.3.466	Connector	—
21	12.0008.3.467	Connector	—
22	12.0008.3.465	Connector	—
27**	20.0767.1.003	Needle Guard *3/4"	—
28**	20.0767.1.002	Needle Guard *3/8"	—
29**	20.0650.0.340	Clamp Foot *3/4"	—
30**	20.0650.0.240	Clamp Foot *3/8"	—
31*	24.3206.0.000	Throat Plate, 3mm (.118") bite	—
32***	24.9920.9.989	Clamp Foot 2" - Assembly	—
33***	20.0650.1.706	Clamp Foot 2"	(1)
34***	07.6045.0.046	Pin	(1)
35***	22.3250.0.000	Clamp Arm Spacer 2"	(1)
40*	12.0008.3.607	Connector Dia 8	—
41	12.0008.3.608	Connector Dia 10	1
42	See page 3-51	Connector	1
43*	12.0008.3.081	Pneumatic Adapter (1/8" / NPT 1/8")	—
44*	02.0750.2.100	Needle, Size 80	—
45*	02.0750.2.109	Needle, Size 70	—
46*	12.0008.3.463	Handvalve	—
47*	20.0649.1.042	Clamping Mat - Flat	2
48**	24.3208.0.000	Clamping Arm	1

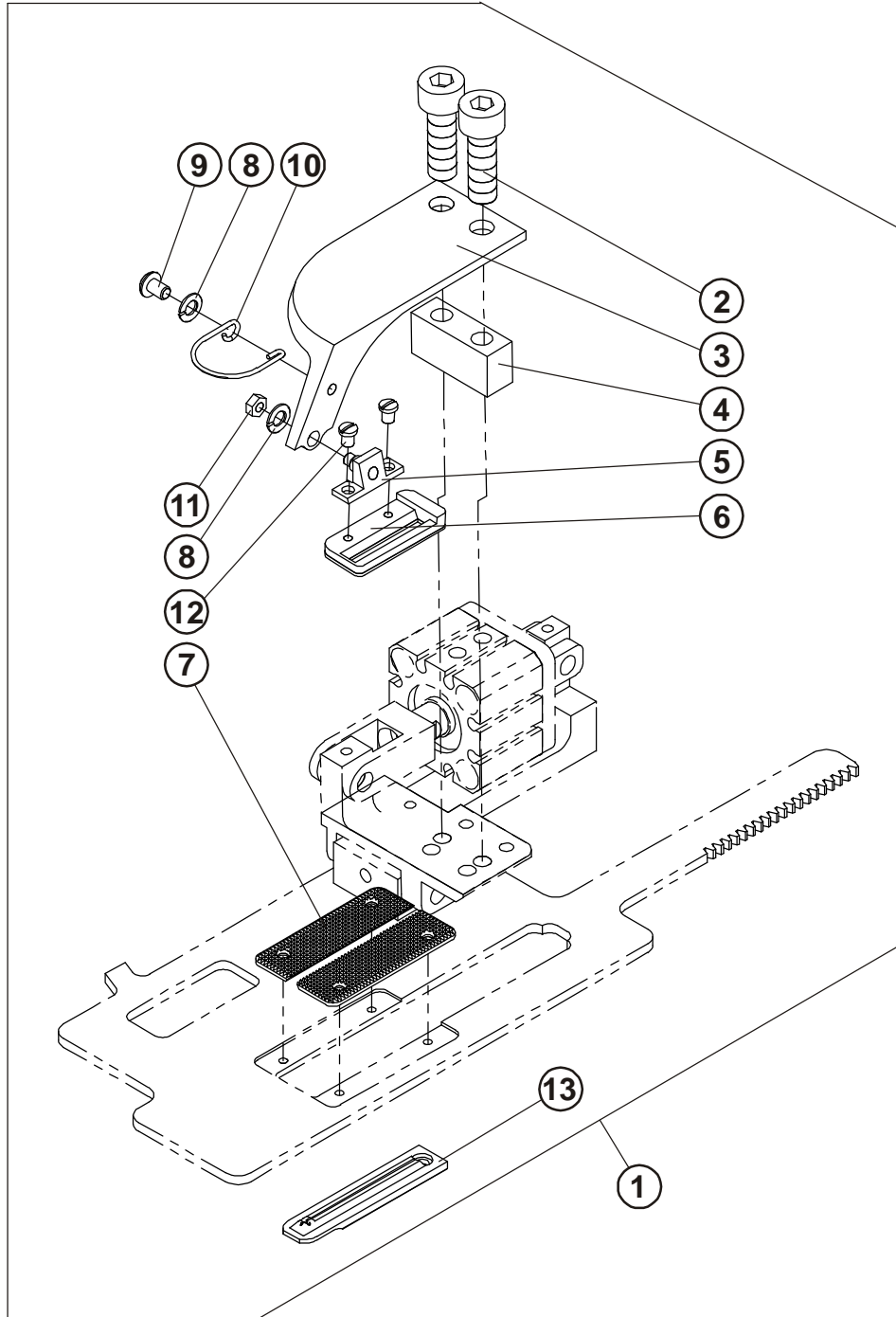
* ** *** — EXTRA PARTS

Released 12/2009

e-mail: service@amfreece.cz; parts@amfreece.cz; website: www.amfreece.com

Phones: +420 582 309 146 (Service), +420 582 309 286 (Spare Parts) ; Fax: +420 582 360 606

ACCESSORIES — CLAMPING



Released 12/2009

e-mail: service@amfreece.cz; parts@amfreece.cz; website: www.amfreece.com

Phones: +420 582 309 146 (Service), +420 582 309 286 (Spare Parts) ; Fax: +420 582 360 606

INDEX

PART NUMBER	PAGE	DET	QTY	PART NUMBER	PAGE	DET	QTY	PART NUMBER	PAGE	DET	QTY
00.2751.3.602				04.9000.0.345	3-37	47	((1))	08.6000.3.016	3-29	09	4
00.2751.3.602	3-41	59	1	04.9000.2.123	3-33	15	1	08.6000.3.040	3-29	08	1
00.2751.3.602	3-45	56	1	04.9000.2.123	3-35	15	1				
				04.9000.2.123	3-39	15	1	08.6000.4.006			
01.1125.0.000				04.9024.0.001	3-37	01	1	08.6000.4.005	3-9	05	4
01.1125.0.000	3-5	25*	1*	04.9024.0.002	3-37	21	(1)	08.6000.4.005	3-11	58	2
01.1382.0.000	3-15	06	1	04.9024.0.361	3-37	18	(1)	08.6000.4.005	3-25	20**	1
01.1397.0.000	3-15	11	4	04.9024.0.500	3-45	51	1	08.6000.4.005	3-55	11	1
01.2084.0.000	3-5	10	1	04.9024.0.650	3-45	43	1	08.6000.4.006	3-27	20	1
01.2136.0.000	3-5	36**	1**	04.9024.0.900	3-37	09	(1)	08.6000.4.006	3-29	15	2
01.2193.0.000	3-3	02	1	05.1322.0.000	3-55	07	1	08.6000.4.006	3-31	04	2
01.2376.0.000	3-5	17	4	06.8800.0.001	3-49	02	(1)	08.6000.4.006	3-41	03	(2)
01.2386.0.000	3-7	03	1					08.6000.4.006	3-45	03	(2)
01.2527.0.000	3-25	40**	1	07.6045.0.009				08.6000.4.010	3-9	01	2
01.2563.0.000	3-5	33**	2**	07.6045.0.009	3-11	19	2	08.6000.4.010	3-21	07	1
01.2563.0.000	3-57	12	(2)	07.6045.0.034	3-11	30	1	08.6000.4.012	3-7	07	1
01.3005.0.000	3-25	45**	1	07.6045.0.037	3-11	16	2	08.6000.4.012	3-23	22	2
01.3065.0.000	3-5	24*	1*	07.6045.0.037	3-25	09	1	08.6000.4.014	3-11	45	2
01.4474.0.000	3-5	37**	1**	07.6045.0.042	3-7	09	1	08.6000.4.014	3-15	25	2
01.5174.0.000	3-5	16*	1*	07.6045.0.042	3-21	04	1	08.6000.4.014	3-19	08	2
01.5445.0.000	3-5	38**	1*	07.6045.0.046	3-5	29**	3**	08.6000.4.016	3-9	03	4
01.6038.0.000	3-25	43**	1	07.6045.0.046	3-55	34***	(1)	08.6000.4.016	3-21	10	6
01.6551.0.000	3-3	07	1	07.6045.0.053	3-25	21	1	08.6000.4.025	3-11	32	2
01.6551.0.000	3-21	17	1	07.6045.0.054	3-27	11	1	08.6000.4.070	3-29	07	4
01.7447.1.000	3-3	05	1	07.6321.0.001	3-23	11	1	08.6000.5.008	3-49	19*	(1)*
01.7447.1.000	3-21	15	1	07.6321.0.025	3-11	50	2	08.6000.5.010	3-25	48**	2
01.7804.0.000	3-3	18	1	07.6321.0.025	3-19	16	2	08.6000.5.012	3-5	07	1
01.7805.0.000	3-3	23	1	07.6321.0.029	3-19	13	(2)	08.6000.5.012	3-53	01	2
01.7805.0.000	3-27	37	2	07.6321.0.030	3-11	61	(1).	08.6000.5.016	3-3	37	1
01.7806.0.000	3-25	18	2	07.6440.0.018	3-11	41	2	08.6000.5.016	3-21	03	1
01.7809.0.000	3-3	17	1	07.6440.0.028	3-11	23	2	08.6000.5.016	3-25	03	8
				07.6440.0.028	3-19	18	2	08.6000.5.016	3-27	26	3
02.0750.2.100				07.6440.0.033	3-11	08	2	08.6000.5.020	3-11	15	2
02.0750.2.100	3-55	44*	—	07.6440.0.036	3-15	21	3	08.6000.5.022	3-5	05	4
02.0750.2.109	3-55	45*	—	07.6440.0.037	3-23	04	2	08.6000.6.008	3-5	27*	2**
02.0750.2.110	3-3	32	1	07.6440.0.040	3-9	16	1	08.6000.6.008	3-5	27**	1**
02.0750.2.110	3-55	06	10	07.6440.0.041	3-11	11	1	08.6000.6.012	3-5	28**	1**
				07.6440.0.045	3-23	27	1	08.6000.6.016	3-3	22	2
03.5524.0.009				07.6440.0.046	3-25	47**	1	08.6000.6.016	3-27	31	2
03.5524.0.009	3-41	01	1	07.6440.0.050	3-11	18	1	08.6000.6.025	3-3	31	1
03.5524.0.009	3-45	01	1	07.6440.0.051	3-25	10	1	08.6000.6.025	3-19	01	1
03.5524.0.032	3-57	01	1					08.6000.6.025	3-25	29	2
				08.6000.3.006				08.6000.6.025	3-57	02	(2)
04.1416.0.003				08.6000.3.006	3-21	29	1	08.6000.6.030	3-3	15	(1)
04.1416.0.003	3-33	09	(1)	08.6000.3.006	3-27	15	1	08.6000.8.025	3-25	07	2
04.1416.0.003	3-35	09	(1)	08.6000.3.006	3-31	11	1	08.6000.8.030	3-39	02	(4)
04.1416.0.003	3-39	09	(1)	08.6000.3.010	3-11	38	1	08.6000.8.040	3-25	12	2
04.1416.0.003	3-37	10	(1)	08.6000.3.010	3-15	17	1	08.6012.4.010	3-17	11	1
04.9000.0.125	3-37	38	(1)	08.6000.3.010	3-19	06	1	08.6012.4.010	3-37	23	((1))
04.9000.0.225	3-37	37	(1)	08.6000.3.010	3-25	41**	2	08.6032.4.010	3-41	52	(6)

Revised 01/2010

e-mail: service@amfreece.cz; parts@amfreece.cz; website: www.amfreece.com

Phones: +420 582 309 146 (Service), +420 582 309 286 (Spare Parts); Fax: +420 582 360 606

INDEX

PART NUMBER	PAGE	DET	QTY	PART NUMBER	PAGE	DET	QTY	PART NUMBER	PAGE	DET	QTY
08.6032.4.010	3-45	52	(6)	08.6400.4.004	3-3	21	2 (2)	08.6700.8.000	3-33	02	(4)
08.6100.3.008	3-19	05	2	08.6400.4.004	3-5	08	2	08.6700.8.000	3-35	02	(4)
08.6100.3.008	3-27	21	1	08.6400.4.004	3-15	01	2	08.6700.8.000	3-37	02	(8)
08.6100.3.016	3-25	37	1	08.6400.4.004	3-19	27	1	08.6702.4.000	3-41	04	8
08.6100.3.030	3-11	01	2	08.6400.4.004	3-21	26	1	08.6702.4.000	3-45	04	8
08.6100.4.006				08.6400.4.005	3-9	22	1	08.6702.8.000	3-33	21	(4)
08.6100.4.006	3-9	21	1	08.6400.4.005	3-11	28	6	08.6702.8.000	3-35	21	(4)
08.6100.4.006	3-27	08	2	08.6400.4.005	3-19	20	1	08.6702.8.000	3-39	21	(4)
08.6100.4.010	3-41	36	4	08.6400.4.012	3-5	21	1	08.6702.8.000	3-49	10	(2)
08.6100.4.010	3-45	36	4	08.6400.5.005	3-3	04	1	08.6702.8.000	3-37	42	(4)
08.6100.4.012	3-49	08	(4)	08.6400.5.005	3-5	18	1	08.6710.0.300	3-39	33	(4)
08.6100.4.014	3-41	49	1	08.6400.5.005	3-11	33	1	08.6710.5.000	3-11	52	2
08.6100.4.014	3-45	49	1	08.6400.5.005	3-25	27	2	08.6710.5.000	3-15	23	2
08.6100.5.010	3-23	09	1	08.6400.5.005	3-27	12	2	08.6710.6.000	3-21	01	1
08.6100.5.012	3-5	14	2	08.6400.5.008	3-25	28	2	08.6733.3.000	3-11	24	2
08.6100.5.012	3-17	02	5	08.6400.5.010	3-25	17	1	08.6742.8.000	3-33	11	(4)
08.6100.5.012	3-17	02*	2*	08.6400.5.010	3-27	13	2	08.6742.8.000	3-35	11	(4)
08.6100.5.016	3-29	01	7	08.6400.5.305	3-11	13	4	08.6742.8.000	3-39	11	(4)
08.6100.5.020	3-15	04	2	08.6400.5.305	3-27	33	6	08.6752.8.000	3-33	22	(4)
08.6100.5.020	3-17	07	1	08.6532.8.055				08.6752.8.000	3-35	22	(4)
08.6100.5.020	3-25	26	3	08.6532.8.055	3-33	19	(4)	08.6752.8.000	3-39	22	(4)
08.6100.6.035	3-27	17	1	08.6532.8.055	3-35	19	(4)	08.6800.4.000			
08.6100.8.012	3-39	26	(6)	08.6532.8.055	3-39	19	(4)	08.6800.4.000	3-11	43	2
08.6100.8.020	3-39	18	(4)	08.6652.3.016				08.6800.4.000	3-15	26	2
08.6102.3.008	3-41	17	2	08.6652.3.016	3-37	14	(2)	08.6800.4.000	3-21	19	2
08.6102.3.008	3-45	17	2	08.6662.3.006	3-53	14	2	08.6800.4.000	3-57	08	(2)
08.6120.3.008	3-27	03	7	08.6663.5.025	3-33	13	10	08.6802.4.000	3-41	40	4
08.6200.4.006				08.6663.5.025	3-35	13	10	08.6802.4.000	3-45	40	4
08.6200.4.006	3-57	09	(1)	08.6663.5.025	3-39	13	10	08.6802.6.000	3-37	32	((1))
08.6200.4.008	3-29	17	2	08.6663.5.025	3-37	20	(11)	08.6802.8.000	3-49	09	(2)
08.6200.4.016	3-21	22	2	08.6676.3.020	3-37	08	(17)	08.6802.8.000	3-37	16	((4))+((4))
08.6200.5.008	3-25	05	1	08.6683.4.007	3-49	15	1	08.6832.0.000	3-37	29	((8+2+2))
08.6200.5.012	3-17	03	6	08.6683.4.007	3-53	16	2	08.6832.4.000	3-17	12	1
08.6200.5.014	3-17	07*	1*	08.6700.3.000				08.6832.4.000	3-37	25	((1))
08.6200.5.020	3-17	16	1	08.6700.3.000	3-25	38	1	08.6832.5.000	3-53	02	2
08.6200.6.012	3-41	06	(2)	08.6700.4.000	3-5	22	1	08.6832.6.000	3-41	07	(2)
08.6200.6.012	3-45	06	(2)	08.6700.4.000	3-7	11	1	08.6832.6.000	3-37	30	((1))
08.6215.4.006	3-41	62	2	08.6700.4.000	3-17	09	1	08.6832.6.000	3-45	07	(2)
08.6300.0.070				08.6700.5.000	3-17	09	1	08.6832.8.000	3-37	39	((2)+(2))
08.6300.0.070	3-39	35	(2)	08.6700.5.000	3-19	24	2	08.6850.0.000			
08.6312.0.020	3-37	27	((12))	08.6700.5.000	3-23	19	1	08.6850.0.000	3-39	34	(4)
08.6312.6.020	3-37	33	((1))	08.6700.5.000	3-25	34	3	08.6850.3.000	3-21	27	1
08.6312.8.020	3-49	05	(2)	08.6700.5.000	3-53	06	2	08.6850.4.000	3-5	34**	1**
08.6312.8.020	3-37	40	((4))+((4))+((4))	08.6700.6.000	3-39	31	(1)	08.6850.4.000	3-7	13	1
08.6312.8.025	3-37	26	((4))	08.6700.6.000	3-37	45	(3)	08.6850.4.000	3-21	18	2
08.6400.3.004	3-27	23	1	08.6700.6.000	3-37	46	(1)	08.6850.4.000	3-27	19	1
08.6400.3.005	3-3	12	4	08.6700.8.000	3-11	57	1	08.6850.4.000	3-55	10	1
				08.6700.8.000	3-15	33	1	08.6850.5.000	3-23	20	1

Revised 01/2010

e-mail: service@amfreece.cz; parts@amfreece.cz; website: www.amfreece.com

Phones: +420 582 309 146 (Service), +420 582 309 286 (Spare Parts); Fax: +420 582 360 606

INDEX

PART NUMBER	PAGE	DET	QTY	PART NUMBER	PAGE	DET	QTY	PART NUMBER	PAGE	DET	QTY
08.6850.5.000	3-25	02	7	12.0008.3.624	3-49	17	1	12.0008.4.679	3-45	25*	(1)
08.6850.5.000	3-25	02**	2	12.0008.3.659	3-53	03	1	12.0008.4.710	3-41	24	1
08.6850.5.000	3-27	25	2	12.0008.3.753	3-53	04	1	12.0008.4.710	3-45	24	1
08.6850.5.000	3-29	04	4	12.0008.3.828	3-53	13	3	12.0008.4.713	3-41	38	1
08.6850.5.000	3-53	05	2	12.0008.3.829	3-53	09	1	12.0008.4.713	3-45	38	1
08.6850.6.000	3-25	30	2	12.0008.3.830	3-53	15	1	12.0008.4.762	3-41	50	2
08.6850.8.000	3-11	56	1	12.0008.3.831	3-53	21	1	12.0008.4.777	3-37	06	(1)
08.6850.8.000	3-15	32	1	12.0008.3.832	3-53	20	1	12.0008.4.777	3-45	21	1
08.6852.3.000	3-25	42**	2					12.0008.4.833	3-51	12	1
08.6852.4.000	3-41	41	4	12.0008.4.050				12.0008.4.835	3-41	46	1
08.6852.4.000	3-49	14	1	12.0008.4.050	3-51	08	1	12.0008.4.835	3-45	46	1
08.6852.4.000	3-37	24	((1))	12.0008.4.052	3-17	10	1	12.0008.4.861	3-41	45	1
08.6852.4.000	3-45	41	4	12.0008.4.052	3-37	22	((1))	12.0008.4.861	3-45	45	1
08.6852.5.000	3-37	19	((11))	12.0008.4.058	3-53	11	3	12.0008.4.863	3-41	44	1
08.6852.6.000	3-37	31	((1))	12.0008.4.058	3-37	13	(1)	12.0008.4.863	3-45	44	1
08.6852.8.000	3-33	20	(4)	12.0008.4.100	3-17	17	1				
08.6852.8.000	3-35	20	(4)	12.0008.4.155	3-41	58	1	12.0008.6.001			
08.6852.8.000	3-39	20	(4)	12.0008.4.155	3-45	55	1	12.0008.6.001	3-55	08	1
08.6852.8.000	3-49	06	(4)	12.0008.4.197	3-17	08	1	12.0008.6.100	3-55	16	1
08.6852.8.000	3-37	17	4)+(4)+((4))	12.0008.4.207	3-41	37	7	12.0008.6.101	3-55	14	1
08.6882.0.000	3-37	28	((12))	12.0008.4.207	3-45	37	7	12.0008.6.102	3-55	13	1
08.6887.5.000	3-9	17	1	12.0008.4.214	3-49	16	(3)	12.0008.6.105	3-55	17	1
				12.0008.4.215	3-45	22	4	12.0008.6.109	3-55	12	1
12.0008.3.023				12.0008.4.231	3-41	39	3	12.0008.6.112	3-55	15	1
12.0008.3.023	3-25	13	1	12.0008.4.231	3-45	39	3	12.0008.6.800	3-19	23	1
12.0008.3.023	3-31	14	1	12.0008.4.279	3-49	18*	(1)*	12.0008.6.801	3-33	06	(4)
12.0008.3.023	3-53	12	3	12.0008.4.280	3-49	13	1	12.0008.6.801	3-35	06	(4)
12.0008.3.023	3-37	12	(1)	12.0008.4.280	3-53	18	2	12.0008.6.801	3-37	05	(4)
12.0008.3.081	3-55	43*	—	12.0008.4.296	3-49	03	(1)	12.0008.6.807	3-39	25	(2)
12.0008.3.251	3-55	19	1	12.0008.4.306	3-49	4*	(1)*	12.0008.6.813	3-37	34	((3))
12.0008.3.409	3-53	26	1	12.0008.4.366	3-41	42	1	12.0008.6.900	3-33	05	(1)
12.0008.3.409	3-53	28	2	12.0008.4.366	3-45	42	1	12.0008.6.900	3-35	05	(1)
12.0008.3.411	3-53	29	4	12.0008.4.403	3-41	26**	1**	12.0008.6.900	3-39	05	(1)
12.0008.3.412	3-53	30	1	12.0008.4.403	3-45	26*	1	12.0008.6.901	3-33	16	(1)
12.0008.3.413	3-53	25	1	12.0008.4.472	3-45	50	2	12.0008.6.901	3-35	16	(1)
12.0008.3.418	3-53	17	1	12.0008.4.563	3-41	15	1	12.0008.6.901	3-39	16	(1)
12.0008.3.420	3-53	07	1	12.0008.4.563	3-45	15	1	12.0008.6.901	3-37	44	(1)
12.0008.3.430	3-53	23	1	12.0008.4.565	3-41	02	(2)	12.0008.6.964	3-37	41	((4))
12.0008.3.433	3-53	27	1	12.0008.4.565	3-45	02	(2)	12.0008.6.965	3-37	43	(1)
12.0008.3.463	3-55	46*	—	12.0008.4.570	3-41	14	2	12.0010.4.013	3-3	38	1
12.0008.3.464	3-55	18	—	12.0008.4.570	3-45	14	2	12.0010.4.067	3-51	07	1
12.0008.3.465	3-55	22	—	12.0008.4.571	3-41	09	(2)	12.0010.4.071	3-51	05	
12.0008.3.466	3-55	20	—	12.0008.4.571	3-45	09	(2)	12.0010.4.071	3-51	13	1
12.0008.3.467	3-55	21	—	12.0008.4.574	3-41	05	(1)	12.0010.4.078	3-51	09	1
12.0008.3.484	3-53	08	1	12.0008.4.574	3-45	05	(1)	12.0010.4.094	3-45	59	3
12.0008.3.605	3-53	19	1	12.0008.4.598	3-25	35	1				
12.0008.3.606	3-53	22	1	12.0008.4.632	3-17	18*	1*	12.1010.2.003			
12.0008.3.607	3-55	40*	—	12.0008.4.664	3-51	11	1	12.1010.2.003	3-25	33	1
12.0008.3.608	3-55	41	1	12.0008.4.665	3-51	10	1	12.1011.0.001	3-25	36	1
12.0008.3.623	3-53	24	1	12.0008.4.679	3-41	25**	(1)**	12.1016.0.000	3-37	35	((2))

Revised 01/2010

e-mail: service@amfreece.cz; parts@amfreece.cz; website: www.amfreece.com

Phones: +420 582 309 146 (Service), +420 582 309 286 (Spare Parts); Fax: +420 582 360 606

INDEX

PART NUMBER	PAGE	DET	QTY	PART NUMBER	PAGE	DET	QTY	PART NUMBER	PAGE	DET	QTY
12.1016.1.000	3-33	08	(6)	20.0093.2.004	3-55	01	1	22.0100.0.000			
12.1016.1.000	3-35	08	(6)	20.0094.0.000	3-15	07	1	22.0100.0.000	3-11	34	4
12.1016.1.000	3-39	08	(6)	20.0094.0.000	3-55	02	1	22.0100.0.000	3-15	20	3
12.1016.1.000	3-37	11	(2)	20.0111.0.000	3-15	08	1	22.0100.0.000	3-19	11	4
12.1040.1.009	3-39	29	(1)	20.0112.0.000	3-15	10	1	22.0104.0.000	3-31	06	1
12.1045.2.001	3-3	29	1	20.0649.1.042	3-55	48**	1	22.0105.0.000	3-15	29	1
12.1045.2.001	3-27	36	1	20.0650.0.240	3-55	30**	—	22.0106.0.000	3-23	25	2
12.1045.3.001	3-7	04	1	20.0650.0.340	3-55	29**	—	22.0107.0.000	3-31	13	1
12.2010.1.002	3-15	14	2	20.0650.0.606	3-5	31**	1**	22.0108.0.000	3-31	08	1
12.2050.0.003	3-3	20	1	20.0650.0.640	3-5	13*	1*	22.0110.0.000	3-11	54	1
12.2050.0.005	3-27	30	1	20.0650.1.706	3-55	33***	(1)	22.0110.0.000	3-19	09	1
12.4030.0.002	3-27	27	1	20.0681.0.000	3-25	44**	1	22.0114.0.000	3-11	02	1
12.5050.2.009	3-25	15	1	20.0767.1.002	3-55	28**	—	22.0120.0.000	3-31	05	1
				20.0767.1.003	3-55	27**	—	22.0121.0.000	3-11	03	1
				20.0767.1.022	3-5	23*	1*	22.0137.0.000	3-23	10	2
12.8000.0.016								22.0153.0.000	3-27	38	2
12.8000.0.016	3-53	10	1	22.0006.0.000				22.0159.0.000	3-5	20	1
12.8000.0.040	3-41	48	1	22.0006.0.000	3-27	34	1	22.0161.0.000	3-21	23	1
12.8000.0.040	3-45	48	1	22.0008.0.000	3-19	02	1	22.0173.0.000	3-5	02	2
12.8000.0.041	3-41	47	1	22.0009.0.000	3-19	12	(1)	22.0175.0.000	3-3	27	1
12.8000.0.041	3-45	47	1	22.0009.0.050	3-19	28	1	22.0177.0.000	3-3	35	2
12.8000.0.044	3-41	54	1	22.0020.0.000	3-19	22	1	22.0178.0.000	3-3	34	1
12.8000.0.047	3-41	16	1	22.0021.0.000	3-11	47	1	22.0179.0.000	3-5	35**	1**
12.8000.0.047	3-45	16	1	22.0021.0.000	3-15	27	1	22.0179.0.000	3-57	11	(1)
12.8000.0.065	3-45	54	1	22.0022.0.000	3-11	55	1	22.0182.0.000	3-23	12	2
12.8000.0.416	3-17	06	1	22.0022.0.000	3-15	31	1	22.0183.0.000	3-11	39	1
				22.0022.0.000	3-15	28	1	22.0183.0.000	3-15	18	1
17.0019.0.441				22.0023.0.000	3-15	22	1	22.0183.0.000	3-19	07	1
17.0019.0.441	3-33	03	(4)	22.0024.0.000	3-15	40	1	22.0184.0.000	3-11	21	3
17.0019.0.441	3-35	03	(4)	22.0026.0.000	3-11	19	1	22.0186.0.000	3-11	27	1
17.0019.0.441	3-39	03	(4)	22.0027.0.000	3-19	17	2	22.0195.0.000	3-3	01	1
17.0019.0.441	3-37	03	(4)	22.0028.0.000	3-19	15	2				
17.0019.0.517	3-11	37	1	22.0029.0.000	3-19	26	1	22.0208.0.000			
17.0019.2.057	3-11	25	1	22.0030.0.000	3-19	51	2	22.0208.0.000	3-11	26	1
17.0027.1.799	3-31	09	1	22.0031.0.000	3-11	15	2	22.0209.0.000	3-55	03	1
17.0081.6.225	3-37	36	((1))	22.0031.0.000	3-15	49	2	22.0213.0.000	3-55	09	1
17.0082.6.000	3-31	10	1	22.0032.0.000	3-11	16	1	22.0214.0.000	3-19	10	1
17.0082.8.082	3-25	23	1	22.0046.0.000	3-21	31	1	22.0219.0.000	3-33	17	1
17.0094.0.200	3-33	14	(4)	22.0049.0.000	3-11	06	1	22.0219.0.000	3-35	17	1
17.0094.0.200	3-35	14	(4)	22.0054.0.000	3-25	14	1	22.0219.0.000	3-39	17	1
17.0094.0.200	3-39	14	(4)	22.0057.0.000	3-29	08	1	22.0219.0.000	3-37	48	1
17.0094.5.310	3-31	12	1	22.0058.0.000	3-25	07	1	22.0228.0.000	3-11	12	1
17.0095.1.272	3-33	04	(4)	22.0061.0.000	3-11	11	1	22.0229.0.000	3-31	03	2
17.0095.1.272	3-35	04	(4)	22.0062.0.000	3-25	04	1	22.0230.0.000	3-3	08	2
17.0095.1.272	3-39	04	(8)	22.0063.0.000	3-19	16	1	22.0232.0.000	3-11	53	1
17.0095.1.272	3-37	04	(4)	22.0064.0.000	3-15	14	2	22.0232.0.000	3-15	24	1
17.0095.1.329	3-31	07	1	22.0064.0.000	3-19	21	1	22.0233.0.000	3-15	30	1
				22.0069.0.000	3-19	24	1	22.0239.0.000	3-3	09	2
20.0092.0.004				22.0091.0.000	3-21	07	1	22.0300.0.000	3-27	40	1
20.0092.0.004	3-7	02	1	22.0096.0.000	3-27	13	1	22.0305.0.000	3-11	35	1
20.0093.2.004	3-7	01	1	22.0097.0.000	3-23						

Revised 01/2010

e-mail: service@amfreece.cz; parts@amfreece.cz; website: www.amfreece.com

INDEX

PART NUMBER	PAGE	DET	QTY	PART NUMBER	PAGE	DET	QTY	PART NUMBER	PAGE	DET	QTY
22.0309.0.000	3-11	20	(1)	22.3034.0.000	3-5	15	1	24.0050.0.000			
22.0309.0.050	3-11	59	1	22.3206.0.000	3-23	18	1	24.0050.0.000	3-53	31	1
22.0312.0.000	3-11	06	1	22.3216.0.000	3-23	21	1	24.0051.0.066	3-27	16	1
22.0313.0.000	3-11	17	(1)	22.3217.0.000	3-5	26*	1*	24.0055.0.000	3-19	03	1
22.0315.0.000	3-11	22	1	22.3219.0.000	3-27	18	1	24.0059.9.017	3-41	53	1
22.0320.0.000	3-11	36	1	22.3250.0.000	3-55	35***	(1)	24.0059.9.017	3-45	53	1
22.0325.0.000	3-11	10	1	22.3251.0.000	3-5	32**	1**	24.0059.9.064	3-41	32	1
22.0336.0.000	3-11	44	1	22.3251.0.000	3-57	05	(1)	24.0059.9.064	3-45	32	1
22.0353.0.000	3-11	48	3	22.3252.0.000	3-25	46**	1	24.0059.9.065	3-33	12	1
22.0354.0.000	3-11	04	1	22.3255.0.000	3-25	39**	1	24.0059.9.065	3-35	12	1
22.0370.0.000	3-11	46	1	22.3256.0.000	3-5	26**	1**	24.0059.9.065	3-39	12	1
22.0400.0.000				22.6002.0.000	3-25	25	1	24.0059.9.069	3-41	28	1
22.0400.0.000	3-9	23	1	22.6101.2.000	3-27	04	1	24.0059.9.069	3-45	28	1
22.0405.2.000	3-9	14	1	22.8400.0.000	3-27	39	1	24.0061.0.000			
22.0408.0.000	3-27	09	1	23.2044.0.050				24.0061.0.000	3-21	28	1
22.0520.0.000	3-3	06	1	23.2044.0.050	3-25	24	1	24.0062.0.000	3-21	21	1
22.0525.0.000	3-3	16	(1)	23.2106.0.000	3-15	09	1	24.0063.0.000	3-21	25	1
22.0525.0.050	3-3	24	1	23.2107.0.000	3-15	12	1	24.0066.0.000	3-15	13	2
22.0530.0.000	3-3	10	1	24.0001.0.000				24.0067.0.000	3-29	03	1
22.0535.0.100	3-3	30	1	24.0001.0.000	3-3	33	1	24.0068.0.000	3-29	02	1
22.0540.0.000	3-3	14	1	24.0002.0.000	3-3	28	1	24.0069.9.002	3-41	35	1
22.0541.0.000	3-3	13	1	24.0002.0.000	3-27	32	1	24.0069.9.003	3-49	04	(1)
22.0542.0.000	3-3	11	1	24.0002.0.000	3-7	06	1	24.0069.9.004	3-41	23	1
22.0545.0.000	3-3	25	1	24.0003.0.000	3-7	08	1	24.0069.9.004	3-45	23	1
22.0545.0.000	3-27	41	1	24.0004.0.000	3-7	08	1	24.0069.9.006	3-41	30	1
22.1010.0.000	3-17	04	2	24.0005.0.000	3-7	10	1	24.0069.9.006	3-45	30	1
22.1415.0.050	3-21	11	1	24.0006.0.000	3-7	14	1	24.0069.9.008	3-41	33	1
22.1422.0.000	3-25	22	1	24.0009.0.000	3-21	09	1	24.0069.9.009	3-49	01	1
22.1436.0.000	3-21	14	2	24.0010.0.000				24.0069.9.023	3-41	19	
22.2410.0.000				24.0010.0.000	3-21	08	1	24.0069.9.023	3-45	19	1
22.2410.0.000	3-15	03	1	24.0011.0.000	3-21	05	1	24.0069.9.027	3-41	29	1
22.2425.0.050	3-15	19	1	24.0014.0.000	3-21	06	1	24.0069.9.027	3-45	29	1
22.2440.0.000	3-15	05	2	24.0016.0.000	3-25	32	1	24.0069.9.038	3-49	1*	1*
22.2442.0.000	3-15	02	2	24.0018.0.000	3-27	14	1	24.0069.9.040	3-37	07	(1)
22.2607.0.000	3-23	01	1	24.0019.0.000	3-27	29	1	24.0069.9.042	3-45	33	1
22.2610.0.000	3-23	14	1	24.0020.0.000	3-27	24	1	24.0069.9.043	3-45	35	1
22.2626.0.000	3-23	03	1	24.0024.0.000	3-55	05	1	24.0079.0.000	3-39	23	(1)
22.2627.0.000	3-23	02	2	24.0027.0.000	3-27	42	1	24.0080.0.000			
22.2631.0.000	3-23	24	1	24.0030.0.000	3-55	04	1	24.0080.0.000	3-7	05	1
22.2633.0.000	3-23	23	1	24.0033.0.000	3-19	25	1	24.0081.0.000	3-39	06	(6)
22.2651.0.000	3-9	15	1	24.0035.0.000	3-5	06	1	24.0082.0.000	3-39	07	
22.2652.0.000	3-9	04	1	24.0036.0.000	3-5	03	1	24.0084.0.000	3-39	28	(8)
22.2653.0.000	3-9	02	1	24.0037.0.000	3-21	02	1	24.0086.0.000	3-39	24	(1)
22.2655.0.000	3-9	18	1	24.0038.0.000	3-17	05	1	24.0087.0.000	3-39	30	(2)
22.2656.0.000	3-9	07	1	24.0039.1.000	3-21	13	1	24.0089.0.000	3-39	32	(1)
22.2657.0.000	3-9	06	1	24.0044.0.000	3-25	19**	1	24.0097.0.000	3-49	07	(1)
22.2664.0.000	3-9	24	1	24.0048.0.000	3-3	26	1	24.0100.0.000	3-3	36	1
22.3003.0.000	3-23	28	1	24.0049.0.000	3-11	14	2	24.0106.0.000	3-25	31	1

Revised 01/2010

e-mail: service@amfreece.cz; parts@amfreece.cz; website: www.amfreece.com

Phones: +420 582 309 146 (Service), +420 582 309 286 (Spare Parts); Fax: +420 582 360 606

INDEX

PART NUMBER	PAGE	DET	QTY	PART NUMBER	PAGE	DET	QTY	PART NUMBER	PAGE	DET	QTY
24.0108.0.000	3-25	16	1	24.3218.0.000	3-57	03	(1)				
24.0111.0.000	3-17	01	1	24.3219.0.000	3-57	04	(1)				
24.0112.0.000	3-29	11	1	24.3306.0.000	3-57	10	(1)				
24.0125.0.000	3-5	12	1								
24.0126.0.000	3-11	05	1	24.6000.5.000							
24.0127.0.000	3-11	42	1	24.6000.5.000	3-25	04	1				
24.0138.0.000	3-41	43	1	24.6001.2.000	3-29	10	1				
24.0139.0.000	3-31	02	1	24.6003.0.000	3-29	13	1				
24.0140.0.000	3-11	60	1	24.6004.1.001	3-29	06	1				
24.0141.0.000	3-31	01	1	24.6005.1.002	3-17	13	1				
24.0142.0.000	3-33	10	(1)	24.6100.0.000	3-27	10	1				
24.0142.0.050	3-33	01	1	24.8001.0.005	3-41	11	(1)				
24.0145.1.000	3-53	32	1	24.8001.0.005	3-45	11	(1)				
24.0146.0.000	3-41	08	(1)	24.8001.2.001	3-51	06	1				
24.0146.0.000	3-45	08	(1)	24.8001.2.005	3-51	04					
24.0147.0.000	3-41	10	(2)	24.9920.9.989	3-55	32***	—				
24.0147.0.000	3-45	10	(2)								
24.0148.0.000	3-41	18	1	70.4165.1.125							
24.0148.0.000	3-45	18	1	70.4165.1.125	3-41	51	1				
24.0149.0.000	3-35	10	(1)								
24.0149.0.050	3-35	01	1								
24.0150.0.000	3-39	10	(1)								
24.0150.0.050	3-39	01	1								
24.0154.0.000	3-29	16	1								
24.0155.0.000	3-17	04*	2*								
24.0351.0.000	3-11	09	1								
24.0500.0.000	3-3	19	1								
24.0510.0.000	3-3	03	1								
24.0546.0.000	3-25	49	1								
24.1000.0.000	3-27	28	1								
24.1430.1.000	3-21	20	1								
24.2035.0.000	3-11	29	1								
24.2400.0.000	3-27	35	1								
24.2640.2.000	3-23	26	1								
24.2665.2.000	3-9	19	1								
24.3200.0.000											
24.3200.0.000	3-23	05	1								
24.3201.0.000	3-23	06	1								
24.3203.0.000	3-23	08	1								
24.3205.0.001	3-5	11	1								
24.3205.0.002	3-5	01	1								
24.3206.0.000	3-55	31*	—								
24.3207.0.000	3-5	30**	1**								
24.3208.0.000	3-55	47*	2								
24.3209.0.000	3-5	19	1								
24.3210.0.000	3-5	09	1								
24.3215.0.000	3-57	07	(2)								
24.3216.0.000	3-57	13	(1)								
24.3217.0.000	3-57	06	(1)								

Revised 01/2010

e-mail: service@amfreece.cz; parts@amfreece.cz; website: www.amfreece.com