

TABLE OF CONTENTS

S-311

MAIN STITCH SHAFT	3-2
NEEDLE BAR DRIVE	3-4
BITE ADJUSTMENTS AND BARRELL	3-6
TAKE — UP LEVER	3-8
NEEDLE BAR AND GEAR	3-10
THREAD RELEASE	3-12
HEAD AND LUBRICATION	3-14
RACE	3-16
STITCH SHAFT AND DRIVE	3-18
TURNING MECHANISM	3-20
CUTTING LEVER ASSEMBLY	3-22
KNIFE DRIVE	3-24
LUBRICATION MECHANISM	3-26
CASE	3-28
X-Y TABLE MOVEMENT	3-30
BED PLATE ASSEMBLY	3-32
CLAMPING — AF	3-34
COVERS	3-36
HEAD PNEUMATIC PARTS STANDARD	3-38
CONTROL BOX — PNEUMATIC PARTS	3-40
EXHAUST — PNEUMATIC PARTS	3-42
HEAD ELECTRONIC PARTS	3-44
TABLE	3-46
TABLE - ROLLER KIT - EXTRA PARTS	3-48
ELECTRONIC BOX — ELECTRONIC PARTS - I	3-50
ELECTRONIC BOX — ELECTRONIC PARTS - II	3-52
ELECTRONIC BOX — ELECTRONIC PARTS - III	3-54
VERSION AF	3-56
VERSION CT	3-58
VERSION CT CLAMPING	3-62
CLAMP ARM	3-66
VERSION CT/LTT — THREAD CLAMP	3-68
VERSION LTT	3-72
VERSION LTT — CLAMPING	3-74
VERSION RDE	3-78
CLAMPING RDE	3-80
LED LIGHT	3-82
TOOLS/ACCESSORIES	3-84
SPECIAL TOOLS/ACCESSORIES	3-85
THREAD TENSION	4-2

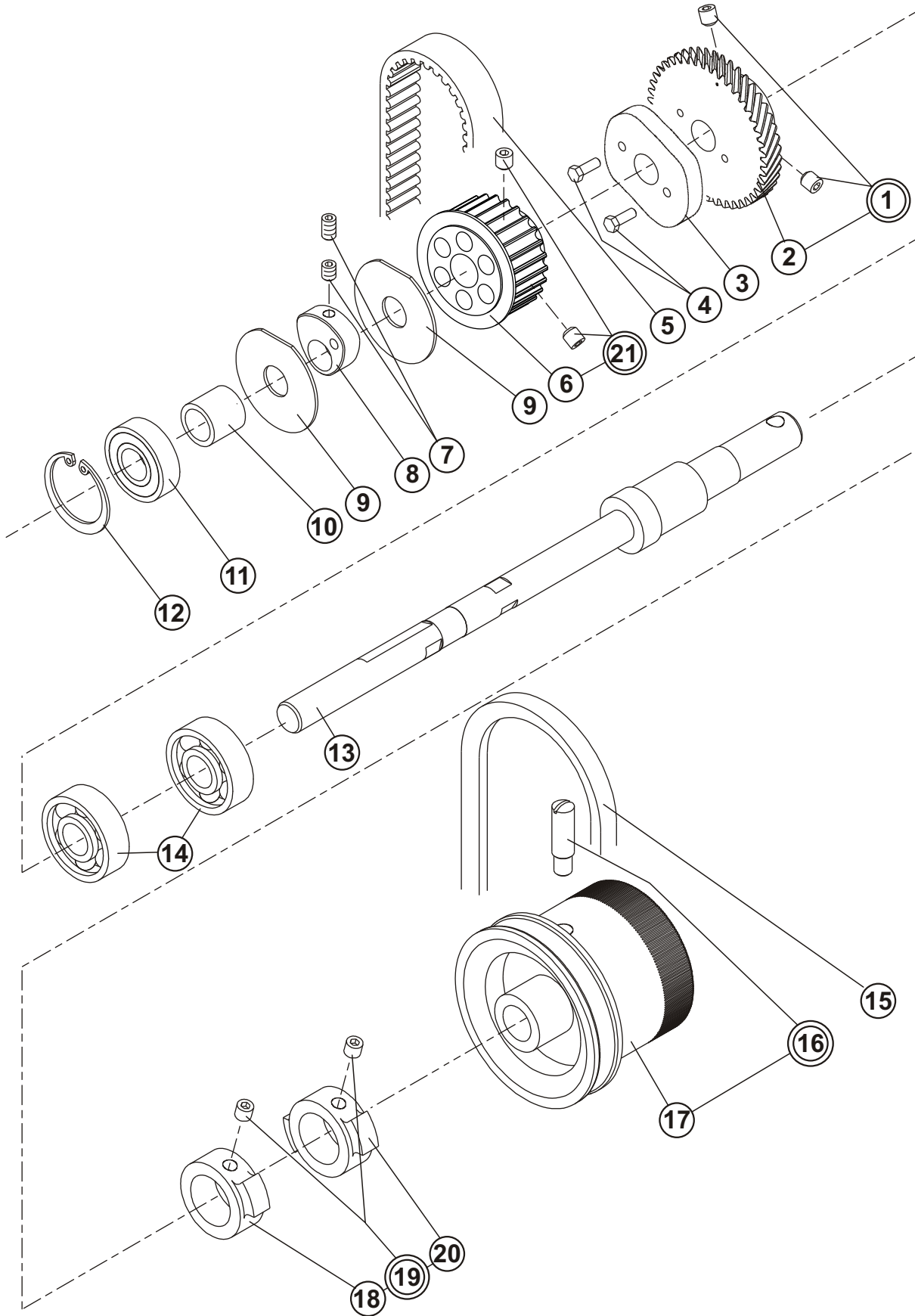
S-311 ACL

VERSION ACL	3-2 ACL
OPTICAL SENSOR	3-4 ACL
EXTRA PARTS	3-6 ACL

S-311+i

BASE AND CLAMP	3-2 I
POWER	3-4 I
COVERS	3-6 I
CLAMPING - AF+i	3-8 I
CLAMPING - CT+i	3-10 I
TABLE	3-14 I
ELECTRONIC BOX - ELECTRONIC PARTS - I	3-16 I
ELECTRONIC BOX - ELECTRONIC PARTS - II	3-18 I
ELECTRONIC BOX - ELECTRONIC PARTS - III	3-20 I

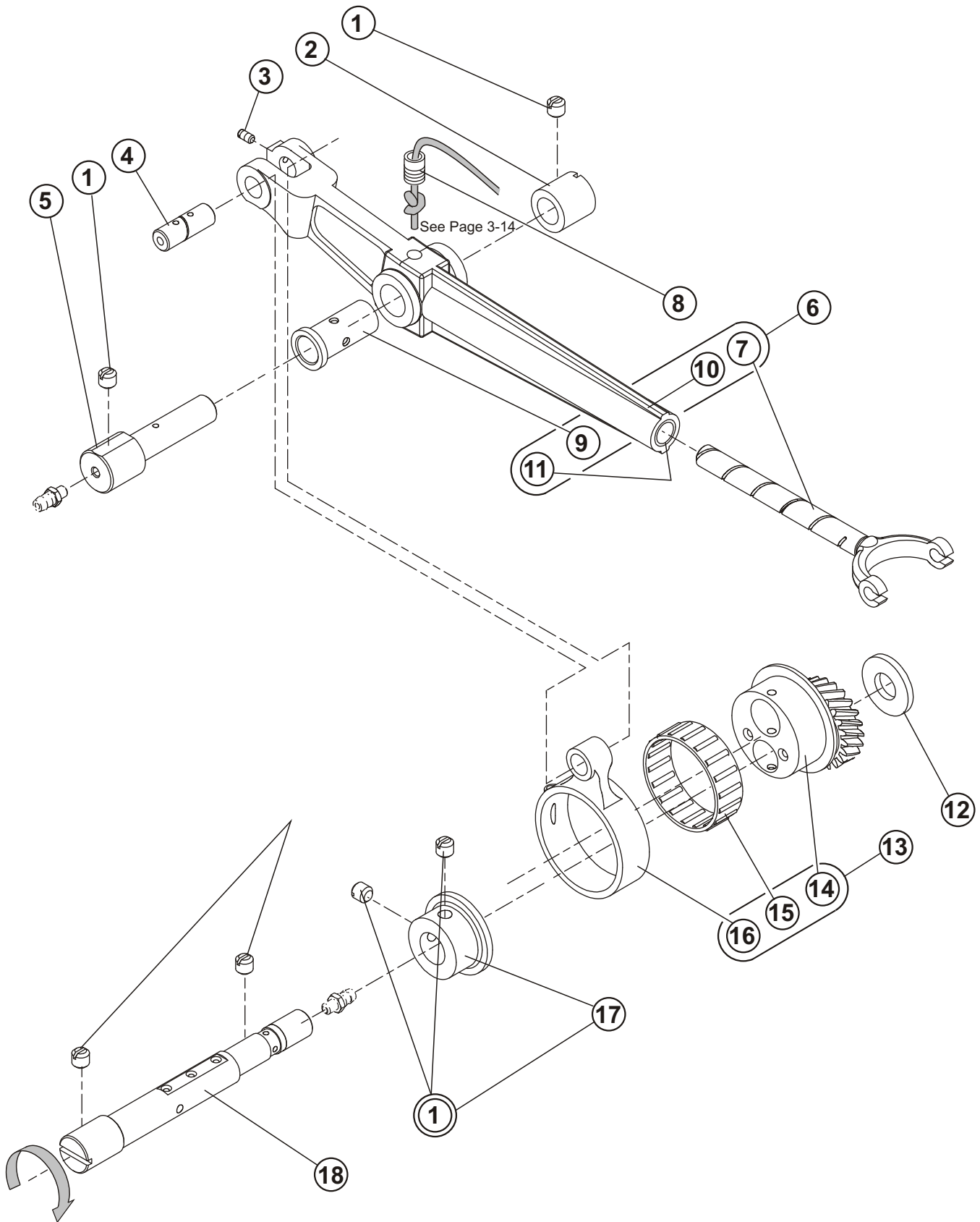
MAIN STITCH SHAFT



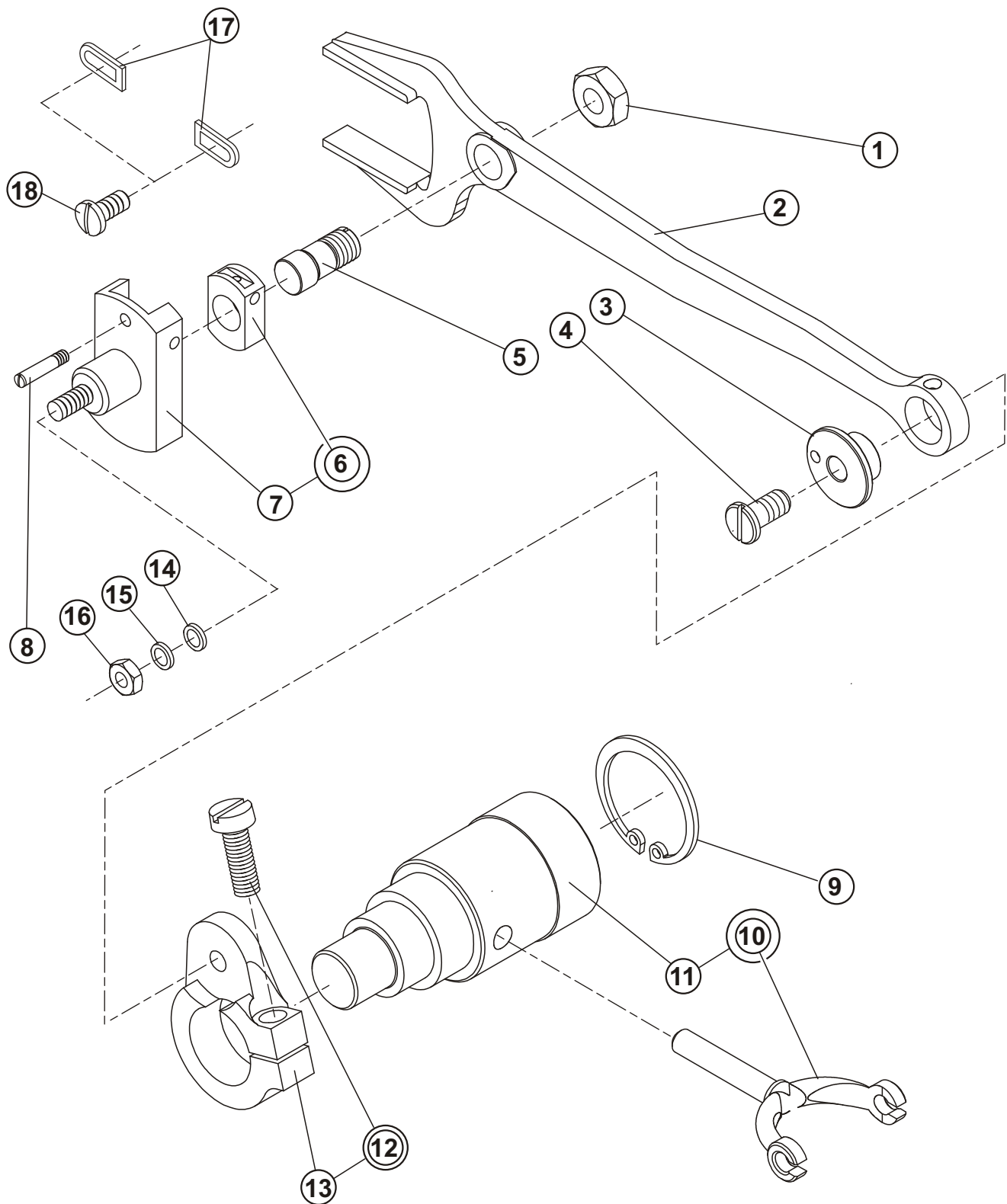
MAIN STITCH SHAFT

DET	PART NUMBER	DESCRIPTION	QTY.
01	08.6400.6.008	Screw M6x8	(2)
02	19.0055.2.402	Gear	1
03	19.0067.2.416	Cam	1
04	17.0014.1.071	Screw M4x14	2
05	12.5050.2.008	Timing Belt	1
06	19.0055.4.431	Pulley	1
07	08.6400.5.005	Screw M5x5	2
08	19.0067.2.415	Counterweight	1
09	17.0081.4.376	Washer	2
10	19.0041.0.689	Shaft Bushing	1
11	12.2010.0.011	Bearing	1
12	12.1040.1.002	U-Clip	1
13	19.0034.9.403	Shaft	1
14	12.2010.0.023	Bearing	2
15	12.5050.1.008	V-Belt	1
16	18.0011.3.400	Screw	(1)
17	19.0051.0.409	Pulley	1
18	19.0044.1.624	Ring Sensor	1
19	17.0011.2.013	Screw	(2)
20	19.0044.1.625	Sensor Ring	1
21	08.6400.6.006	Screw M6x6	(2)

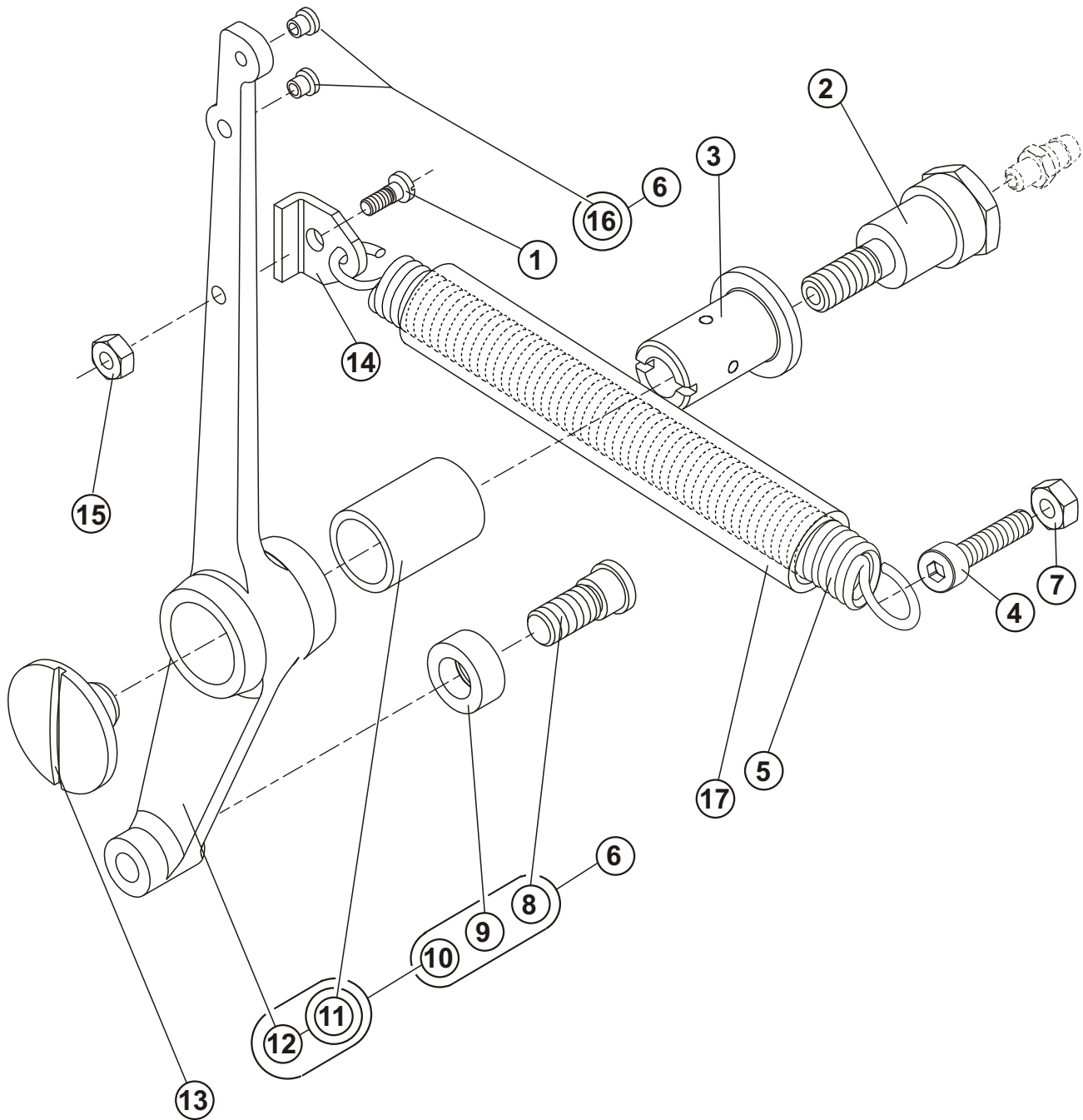
NEEDLE BAR DRIVE



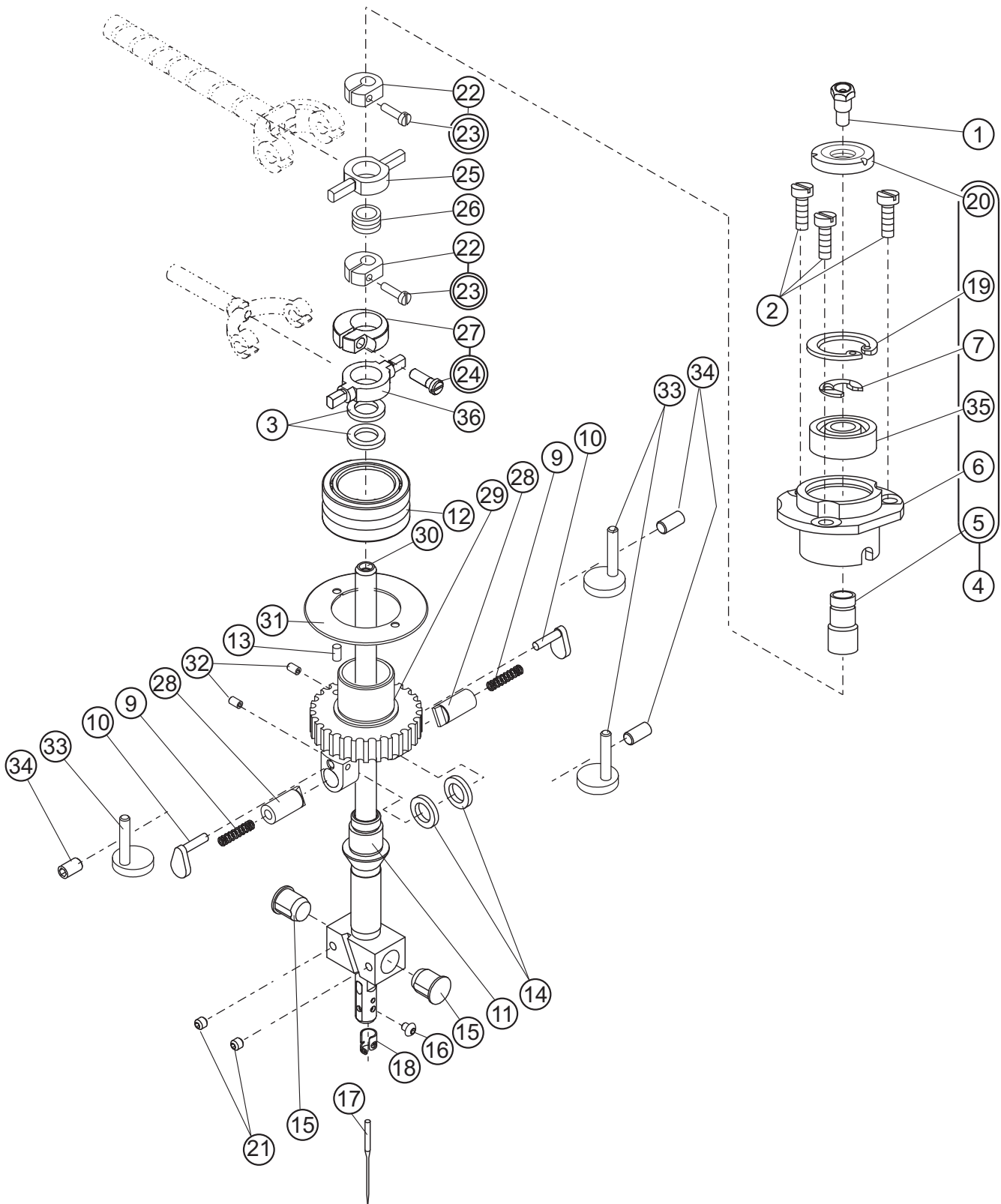
BITE ADJUSTMENTS AND BARRELL



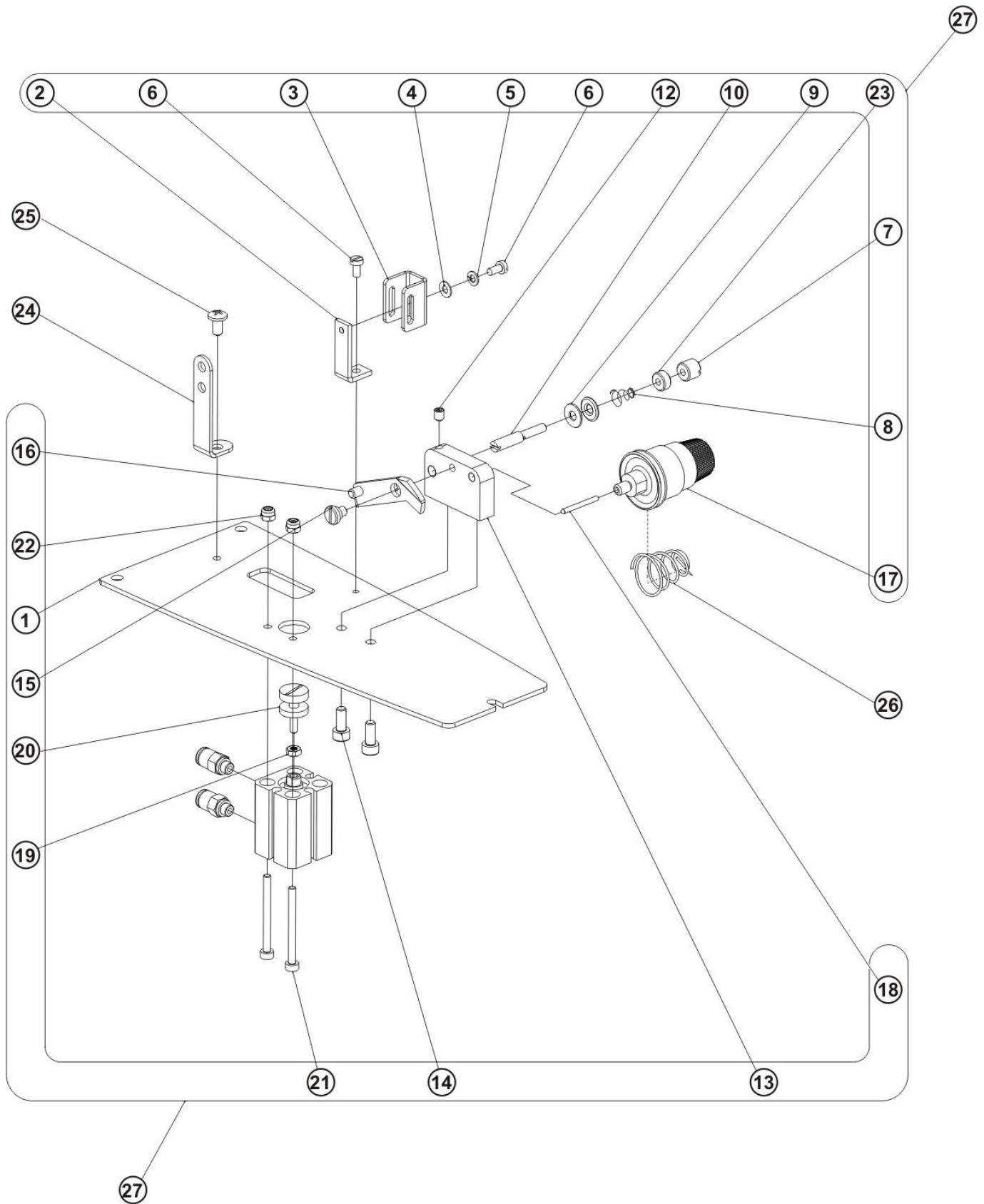
TAKE — UP LEVER



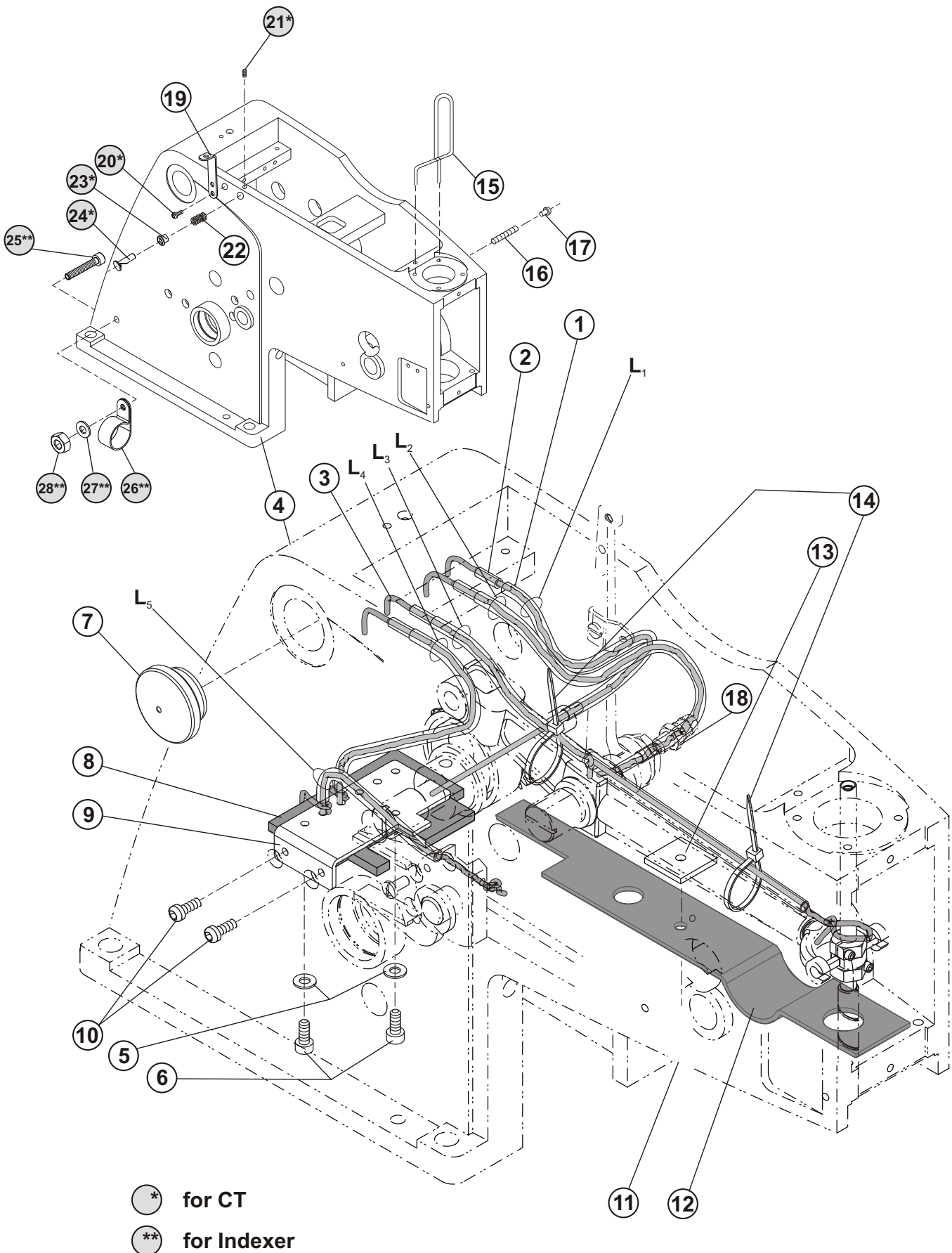
NEEDLE BAR AND GEAR



THREAD RELEASE



HEAD AND LUBRICATION



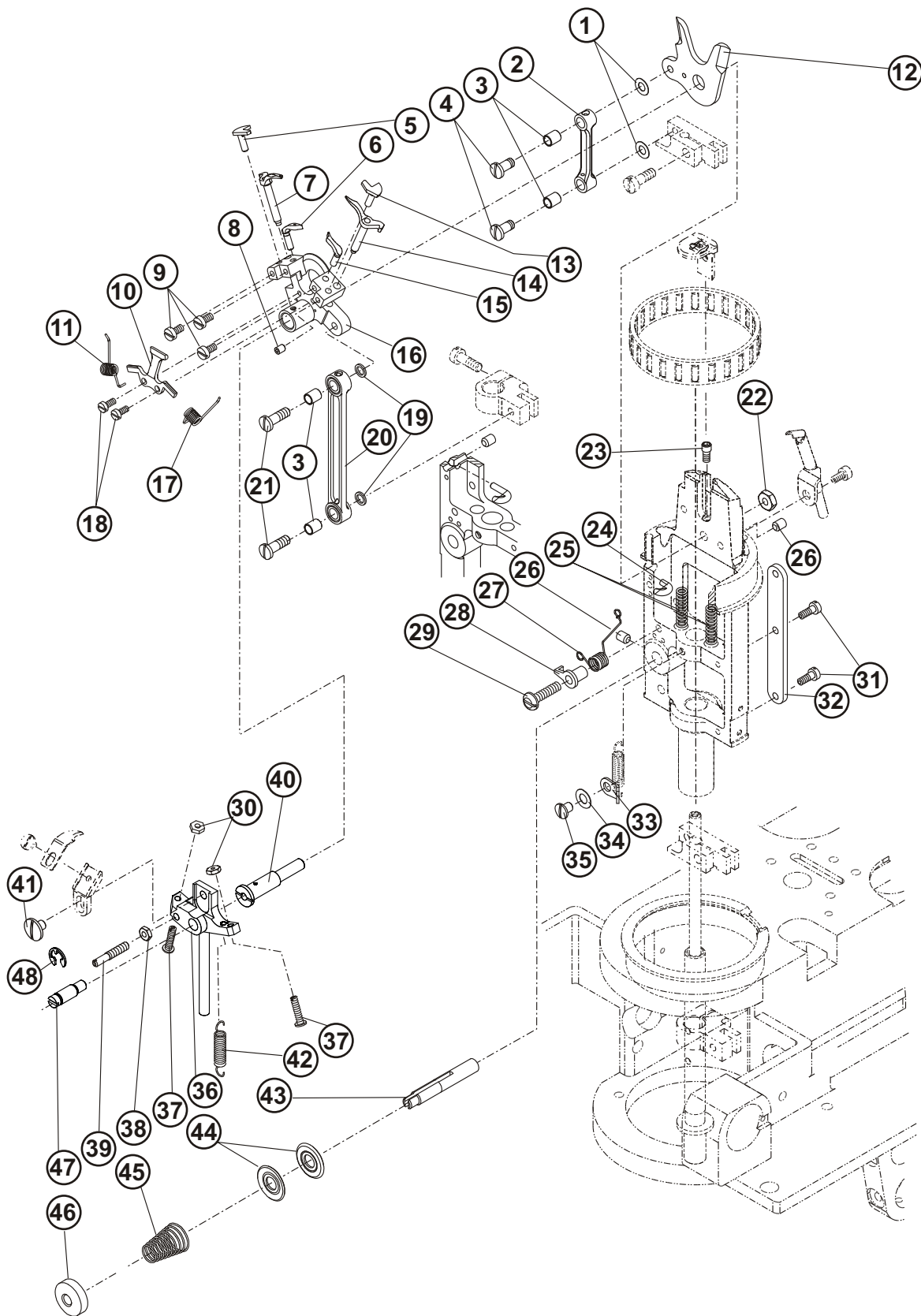
HEAD AND LUBRICATION

DET	PART NUMBER	DESCRIPTION	QTY.
01	19.0094.2.412	Oil Tube L ₁ = 150 mm ●●● L ₂ = 150 mm L ₃ = 225 mm L ₄ = 180 mm L ₅ = 120 mm	1
02	19.0094.2.409	Joint PM ●●●	7
03	19.0094.5.412	Wick L ₁ = 400 mm ●●● L ₂ = 400 mm L ₃ = 550 mm L ₄ = 450 mm L ₅ = 200 mm	1
04	19.0071.3.403	Head	1
05	08.6000.4.010	Screw	2
06	08.6850.4.000	Washer	2
07	17.0095.1.329	Oil Indicator ●●●	1
08	19.0094.5.402	Felt ●●●	1
09	19.0082.3.407	Plate	1
10	08.6200.4.008	Screw	2
11	08.6000.4.020	Screw	1
12	19.0094.5.401	Felt ●●●	1
13	19.0081.5.415	Plate	1
14	12.0008.3.023	Ty-wrap	2
15	17.0027.1.419	Guard	1
16	08.6400.4.010	M4x10 Screw	1
17	12.0008.4.570	Plug	1
18	19.0044.1.623	Nipple	1
19	05.0043.1.000	Thread Smoother	1
20	08.6032.4.008	Screw	1
21*	08.6400.4.004	Screw	1
22*	01.5002.0.000	Spring	1
23*	10.1009.0.000	Bushing	1
24*	10.1008.0.000	Guide	1
25**	08.6000.4.025	Screw	1
26**	12.0008.4.100	Clamp	1
27**	08.6850.4.000	Washer	1
28**	08.6700.4.000	Nut	1

* CT - modification

** Indexer modification

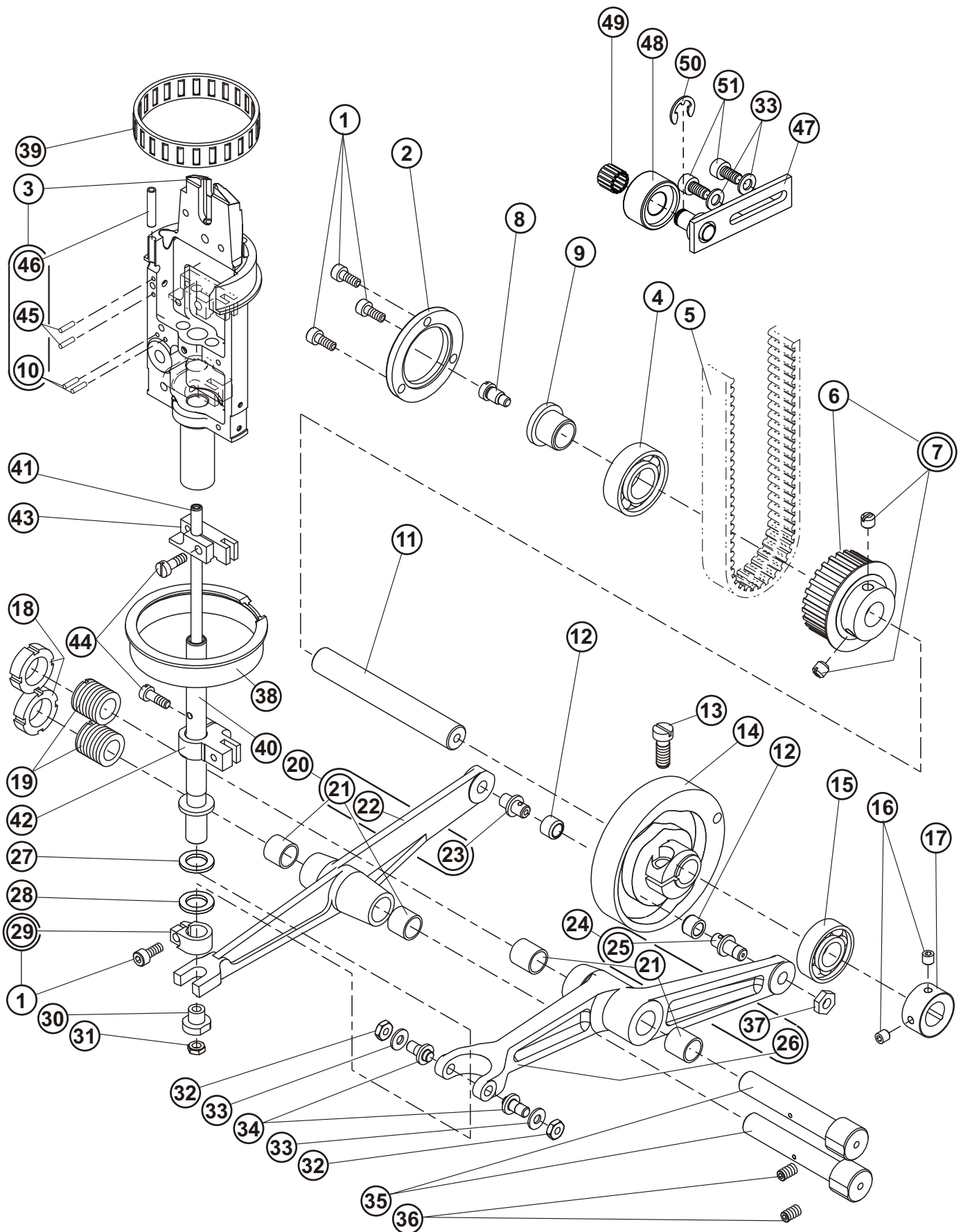
RACE



RACE

DET	PART NUMBER	DESCRIPTION	QTY.
01	17.0019.0.228	Washer	2
02	19.0063.1.073	Spreader Link	1
03	17.0041.1.094	Roll	4
04	17.0012.1.140	Screw	2
05	19.0033.8.407	L.H. Spreader Stop	1
06	17.0069.4.049	Eye Looper 0,8	1
07	17.0004.9.895	Forked Spreader	1
08	08.6400.3.004	Screw	1
09	08.6010.3.005	Screw	3
10	10.4010.2.000	Needle Guard	1
11	01.5620.0.000	L.H. Spring	1
12	18.0081.8.706	Spreader Wedge	1
13	19.0033.8.408	R.H. Spreader Stop	1
14	17.0004.9.894	R.H. Spreader	1
15	17.0069.4.048	Blind Looper	1
16	19.0074.4.542	Looper Carrier ●	1
17	01.5619.0.000	R.H. Spring	1
18	17.0012.0.404	Screw	2
19	17.0019.1.088	Washer	2
20	17.0004.4.829	Looper Link ●	1
21	17.0012.1.142	Screw	2
22	08.6700.5.000	Nut	1
23	17.0012.2.400	Screw	1
24	19.0027.1.615	Thread Guide	1
25	17.0026.0.215	Spring	2
26	08.6400.4.005	Screw	2
27	17.0026.4.035	Spring	1
28	17.0064.7.162	Plate	1
29	08.6200.4.012	Screw	1
30	08.6700.3.000	Nut	2
31	08.6000.3.008	Screw	2
32	17.0081.5.082	Bracket	1
33	17.0082.5.235	Plate	1
34	08.6850.4.000	Washer	1
35	17.0012.4.105	Screw	1
36	19.0005.2.214	Lever	1
37	17.0013.6.081	Screw	2
38	17.0016.1.214	Nut	1
39	19.0011.0.400	Screw	1
40	19.0033.5.404	Looper Carrier Stud	1
41	17.0012.4.106	Screw	1
42	17.0026.3.173	Spring	1
43	19.0011.8.405	Stud	1
44	17.0082.8.083	Tension Plate	2
45	17.0026.2.400	Spring	1
46	17.0017.1.059	Nut	1
47	19.0033.1.405	Stud	1
48	12.1045.0.004	E-Clip	1

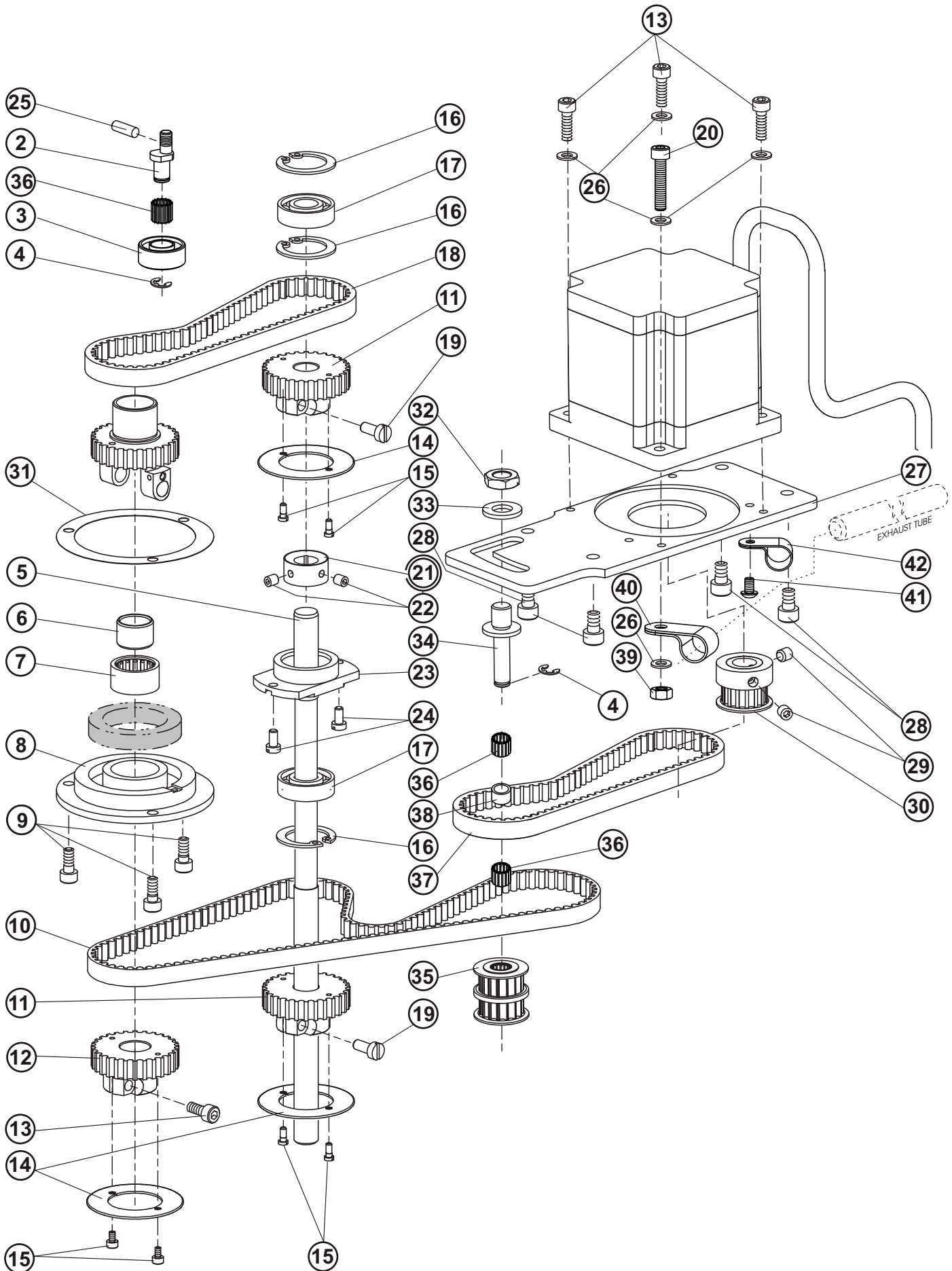
STITCH SHAFT AND DRIVE



STITCH SHAFT AND DRIVE

DET	PART NUMBER	DESCRIPTION	QTY.
01	08.6000.4.010	Screw	3+1
02	19.0044.5.401	Flange	1
03	19.0071.7.404	Race ●	1
04	12.2010.0.021	Bushing	1
05	See Page 3-2	Timing Belt	—
06	19.0055.4.430	Gear ●	1
07	08.6400.6.006	Screw	(2)
08	17.0013.2.090	Screw	1
09	19.0042.2.400	Bushing	1
10	17.0031.0.406	Pin	(2)
11	19.0034.0.409	Shaft	1
12	19.0041.8.401	Roll	2
13	17.0012.0.113	Screw	1
14	19.0067.4.401	Cam	1
15	12.2010.0.011	Bushing	1
16	08.6400.5.305	Screw	2
17	17.0043.6.018	Set Screw Collar	1
18	19.0016.3.403	Nut	2
19	19.0013.6.400	Thread Insert	2
20	19.0063.6.442	Spreader Rocker	1
21	19.0041.0.693	Bushing ●●	(4)
22	—————	Part Of Assembly Only 19.0063.6.442 ●	(1)
23	—————	Part Of Assembly Only 19.0063.6.442	(1)
24	19.0063.6.443	Lever, Looper	1
25	19.0033.3.401	Stud	(1)
26	—————	Part Of Assembly Only 19.0063.6.443 ●	(1)
27	19.0019.0.686	Washer	1
28	17.0019.0.398	Washer	1
29	19.0043.6.441	Looper Drive Shaft Collar	1
30	19.0041.2.404	Roll	1
31	17.0027.4.045	Ring Clip	1
32	08.6710.5.000	Nut	2
33	08.6850.5.000	Washer	4
34	17.0033.3.131	Stud	2
35	19.0032.6.401	Shaft	2
36	08.6400.5.008	Screw	2
37	17.0016.1.094	Nut	(1)
38	19.0042.1.406	Bushing	1
39	12.2050.0.008	Bushing	1
40	19.0034.6.402	Shaft	1
41	19.0034.6.403	Shaft	1
42	17.0074.4.405	Clamp	1
43	18.0064.6.427	Clamp ●	1
44	08.6010.4.012	Screw	2
45	19.0031.3.407	Pin	(2)
46	19.0084.1.613	Tube	(1)
47	19.0033.8.412	Tightener Roller	1
48	19.0041.0.697	Roll	1
49	12.2050.0.007	Bearing	1
50	17.0027.4.085	Lockwasher	1
51	08.6000.5.010	Screw	2

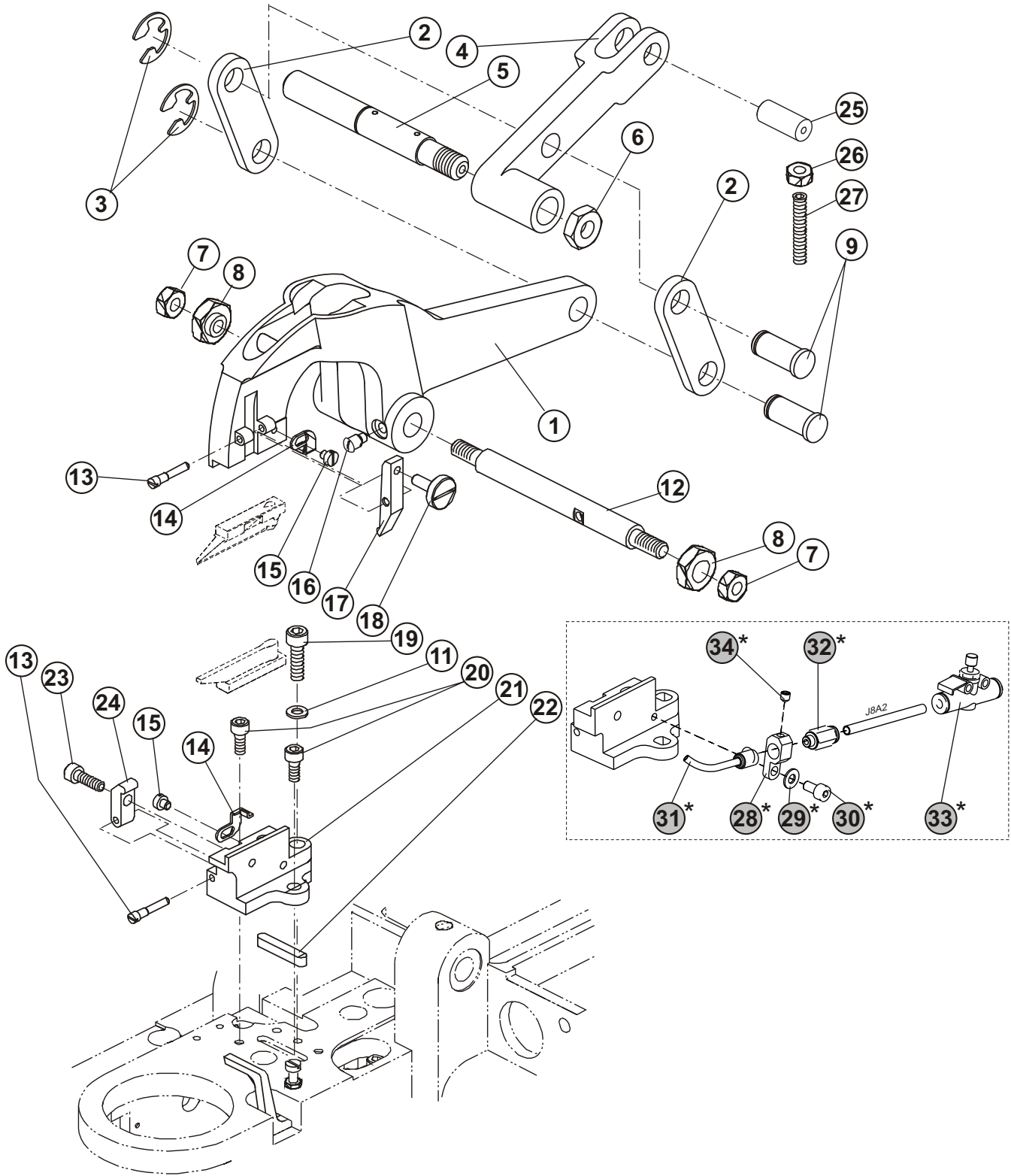
TURNING MECHANISM



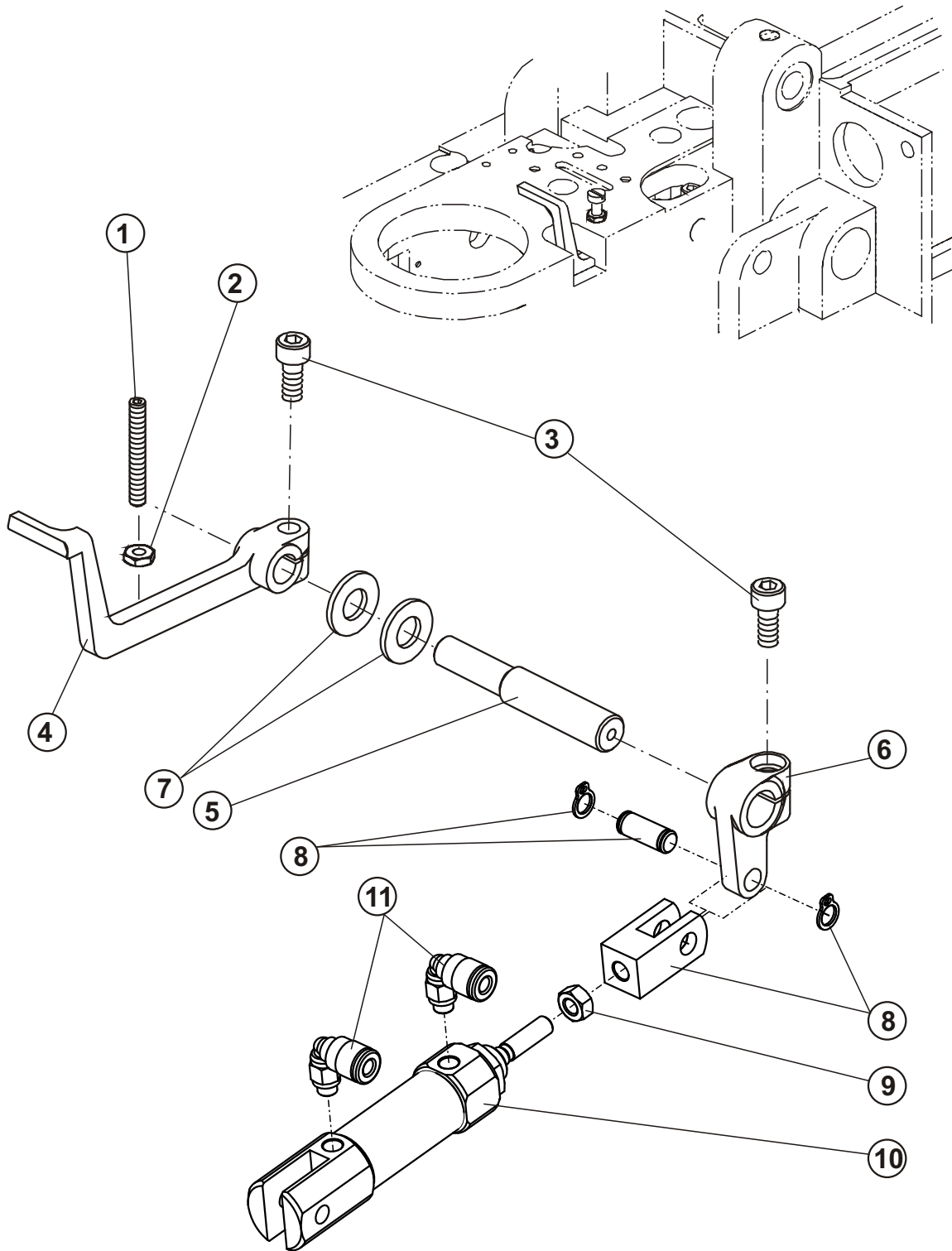
TURNING MECHANISM

DET	PART NUMBER	DESCRIPTION	QTY.
01			
02	19.0033.8.409	Tension Pulley Shaft	1
03	19.0041.0.696	Roll •••	1
04	17.0027.4.085	E-Clip	2
05	19.0034.1.401	Shaft	1
06	12.2099.1.009	Bearing	1
07	12.2050.1.007	Bearing	1
08	19.0042.5.401	Flange	1
09	08.6000.5.012	Screw	3
10	12.5050.2.018	Timing Belt •••	1
11	19.0055.4.407	Cear •	2
12	19.0055.4.406	Gear •	1
13	08.6000.5.016	Screw	4
14	19.0019.0.682	Washer	3
15	08.6000.3.005	Screw	6
16	12.1040.1.002	Retaining Ring	3
17	12.2010.0.011	Bearing	2
18	12.5050.2.006	Timing Belt •••	1
19	08.6010.5.016	Screw	2
20	08.6000.5.025	Screw	1
21	17.0043.6.018	Set Screw Collar	1
22	08.6400.5.305	Screw	(2)
23	19.0044.5.402	Flange	1
24	17.0012.0.218	Screw	2
25	08.6400.4.008	Screw	2
26	08.6850.5.000	Washer	5
27	19.0081.5.463	Plate	1
28	08.6000.6.010	Screw	4
29	08.6400.6.006	Screw	2
30	19.0055.4.419	Gear Assembly •	1
31	19.0019.6.405	Washer	2
32	08.6717.0.400	Nut	1
33	08.6850.0.000	Washer	1
34	19.0033.5.405	Stud	1
35	19.0055.4.429	Gear	1
36	12.2050.0.007	Bearing	3
37	12.5050.2.005	Belt	1
38	19.0041.0.680	Roll	1
39	08.6700.5.000	Nut	1
40	07.6600.0.004	Clamp	1
41	08.6200.3.005	Screw	1
42	07.6600.0.006	Clamp	1

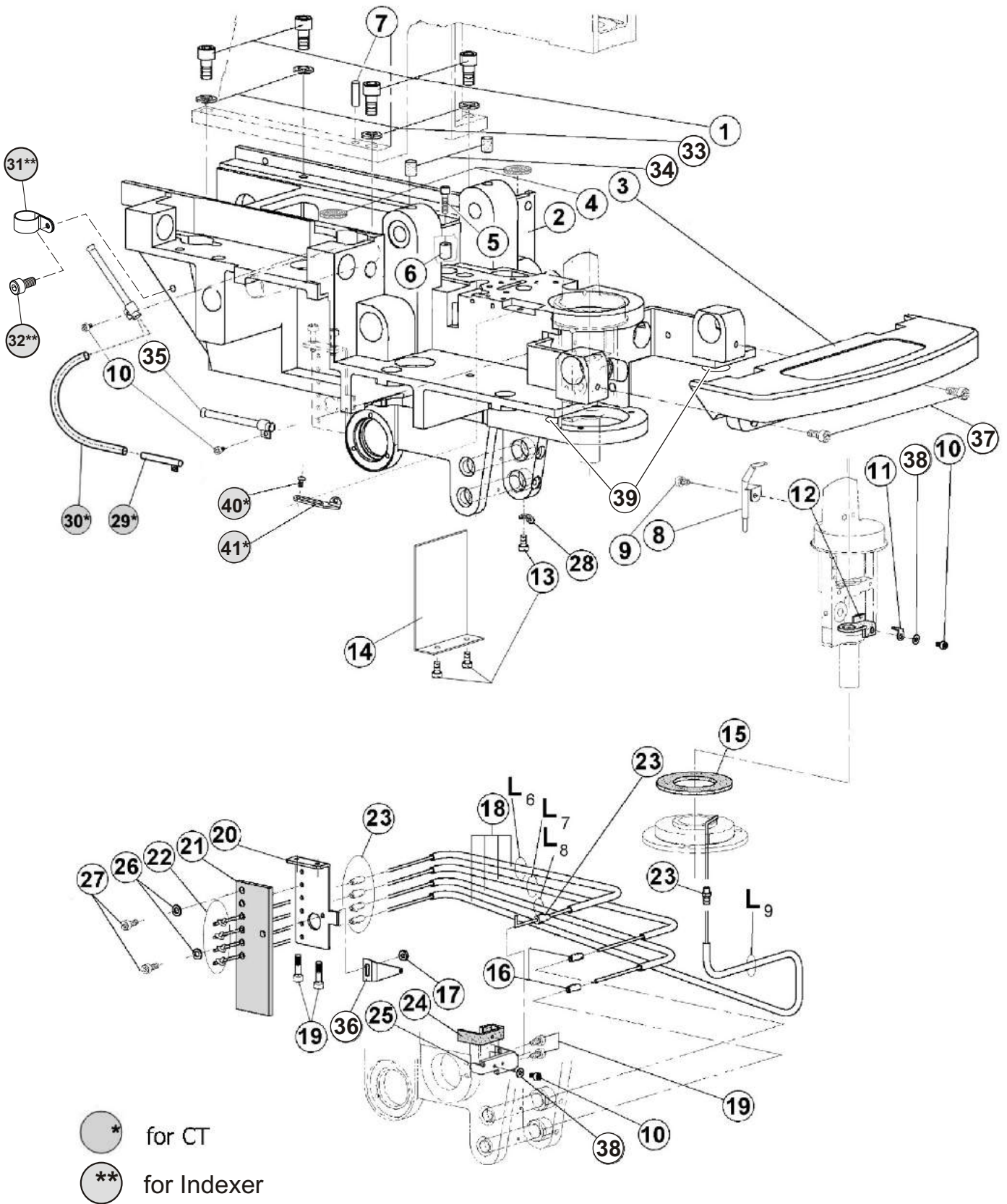
CUTTING LEVER ASSEMBLY



KNIFE DRIVE



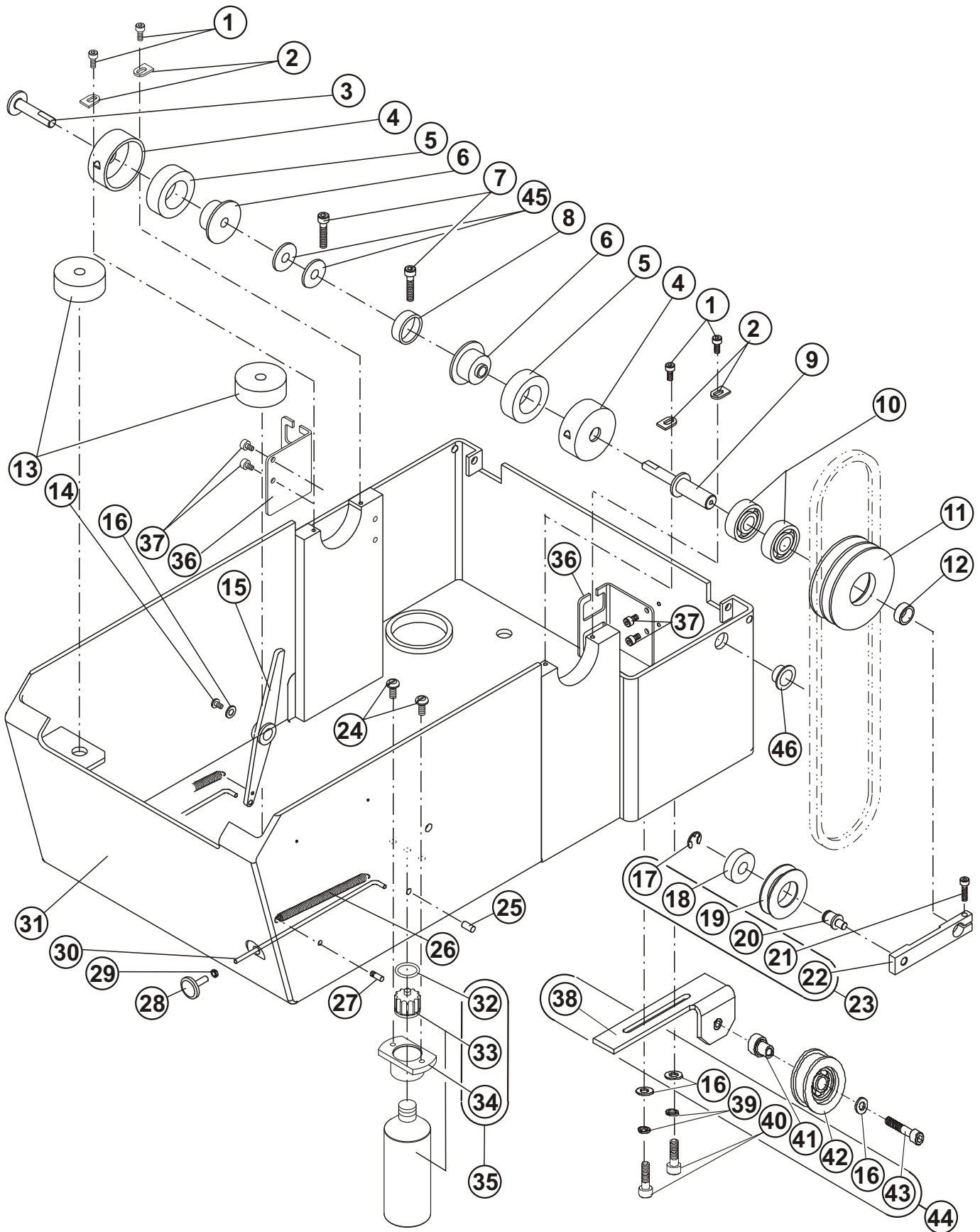
LUBRICATION MECHANISM



LUBRICATION MECHANISM

DET	PART NUMBER	DESCRIPTION	QTY.
01	08.6000.8.020	Screw	4
02	19.0071.0.204	Base	1
03	19.0074.6.216	Cover	1
04	19.0094.5.413	Felt	●●●
05	08.6000.4.020	Screw	1
06	13.2087.1.000	Bumper	●●●
07	19.0031.8.414	Pin	2
08	19.0002.5.409	Guide Asembly	1
09	08.6010.4.010	Screw	1
10	08.6000.3.005	Screw	4
11	19.0082.3.411	Plate	1
12	19.0094.5.407	Felt	●●●
13	08.6200.4.006	Screw	3
14	19.0083.1.681	Cover	1
15	19.0094.5.406	Felt	●●●
16	19.0044.1.623	Nipple	2
17	08.6710.4.000	Nut	1
18	19.0094.2.412	Oil Tube L ₆ =220mm L ₇ =280mm L ₈ =265mm L ₉ =380mm	●●● See Page 3-14
19	08.6000.4.005	Screw	4
20	19.0082.3.453	Plate	1
21	19.0094.5.405	Felt	●●●
22	19.0094.5.412	Wick L ₆ =360mm L ₇ =350mm L ₈ =420mm L ₉ =450mm	●●● See Page 3-14
23	19.0094.2.409	Joint PM	●●●
24	19.0094.5.408	Felt	●●●
25	19.0082.3.450	Felt Holder	1
26	08.6850.4.000	Washer	2
27	08.6000.4.010	Screw	2
28	17.0027.1.106	Thread Guide	1
29*	19.0002.5.414	Guide	1
30*	19.0094.2.419	Tube	1
31**	12.0008.4.100	Clamp	1
32**	08.6000.4.008	Screw	1
33	08.6800.8.000	Spring Washer	4
34	17.0094.5.052	Felt	●●●
35	19.0002.5.411	Guide	2
36	05.0043.1.000	Bracket	1
37	08.6000.5.012	Screw	2
38	08.6850.3.000	Washer	2
39	19.0094.5.409	Felt	2
40*	08.6200.3.006	Screw	1
41*	19.0082.1.412	Thread Smoother	1
*	CT modification		
**	Indexer modification		

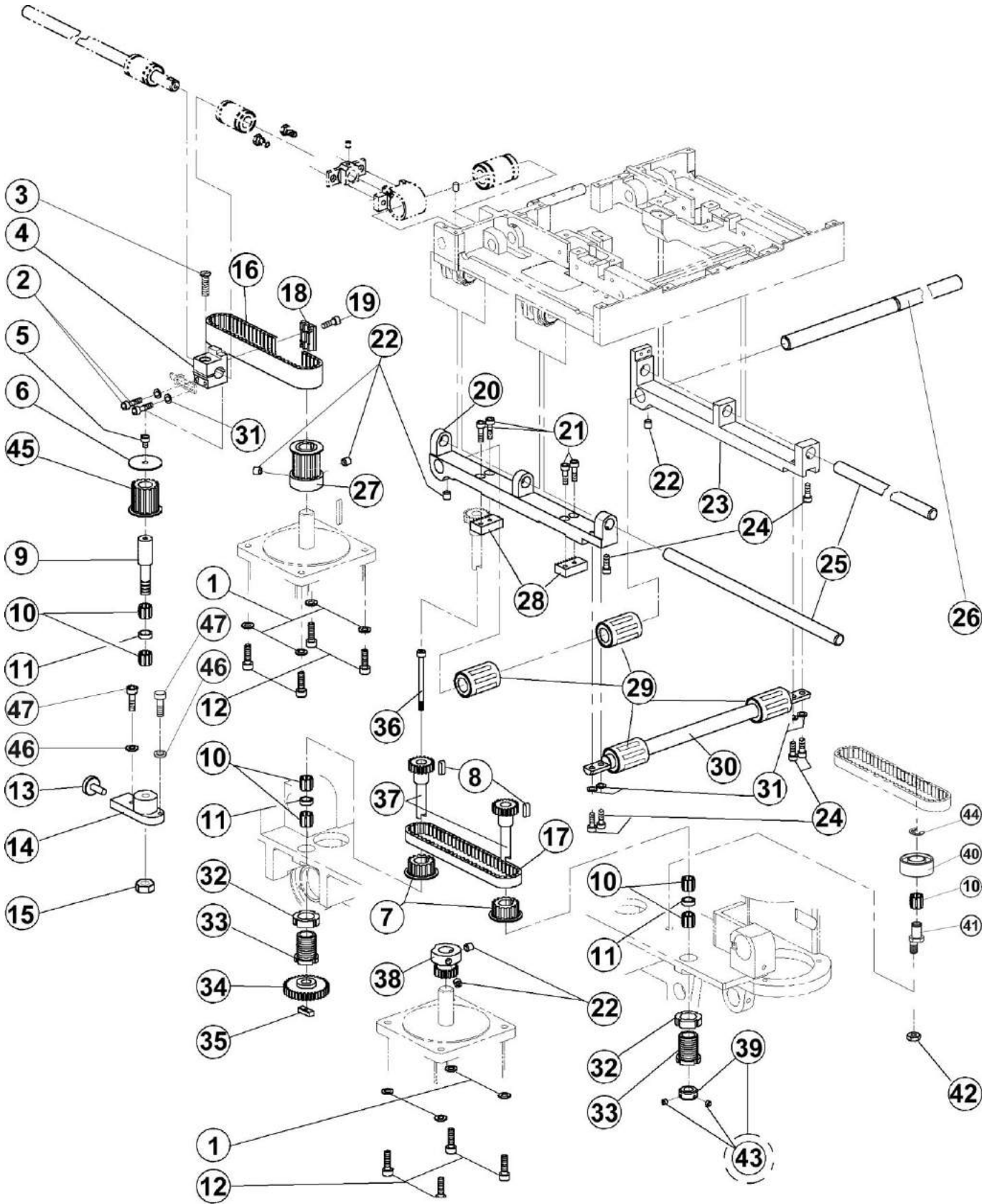
CASE



CASE

DET	PART NUMBER	DESCRIPTION	QTY.
01	08.6000.4.010	Screw	4
02	17.0081.5.047	Latch	4
03	19.0032.2.407	Shaft Left	1
04	19.0041.6.400	Bushing	2
05	19.0094.1.400	Ring	2
06	19.0095.1.402	Bearing	2
07	08.6000.5.020	Screw	2
08	19.0041.0.694	Bushing	1
09	19.0032.3.401	Shaft	1
10	12.2010.0.005	Bearing	2
11	18.0052.1.400	Pulley	1
12	18.0041.0.676	Collar	1
13	19.0095.1.405	Rubber	2
14	08.6200.5.006	Screw	1
15	19.0063.3.403	Head Support	1
16	08.6850.6.000	Washer	1+(3)
17	17.0027.4.085	Retaining Ring	(1)
18	12.2010.0.004	Bearing	(1)
19	18.0052.0.274	Idler Pulley	(1)
20	18.0032.3.198	Idler Pulley Pin	(1)
21	08.6000.4.016	Screw	(1)
22	18.0061.3.350	Idler Pulley Lever	(1)
23	18.0004.3.251	Idler Pulley	1
24	08.6200.5.012	Screw	2
25	12.1010.0.525	Pin	1
26	17.0026.3.014	Spring	1
27	17.0031.0.196	Pin	1
28	19.0017.2.402	Pushbutton	1
29	08.6700.3.000	Nut	1
30	19.0027.1.603	Rod	1
31	19.0072.4.404	Case	1
32	12.0008.6.812	O Ring	(1)
33	05.1322.0.000	Oil Can	(1)
34	19.0044.5.404	Holder Oil Can	(1)
35	19.0008.2.001	Oil Can Assembly	1
36	19.0082.3.433	Holder	2
37	08.6000.4.005	Screw	4
38	04.9000.0.444	Holder Roller	1
39	08.6800.6.000	Spring Washer	(2)
40	08.6310.6.016	Screw	(2)
41	04.9000.1.443	Bushing	(1)
42	04.9001.0.001	Roller	(1)
43	08.6000.6.030	Screw	(1)
44	04.9001.1.050	Left Roller Assembly	1
45	08.6850.8.000	Washer	2
46	17.0042.1.279	Thread Guide	1

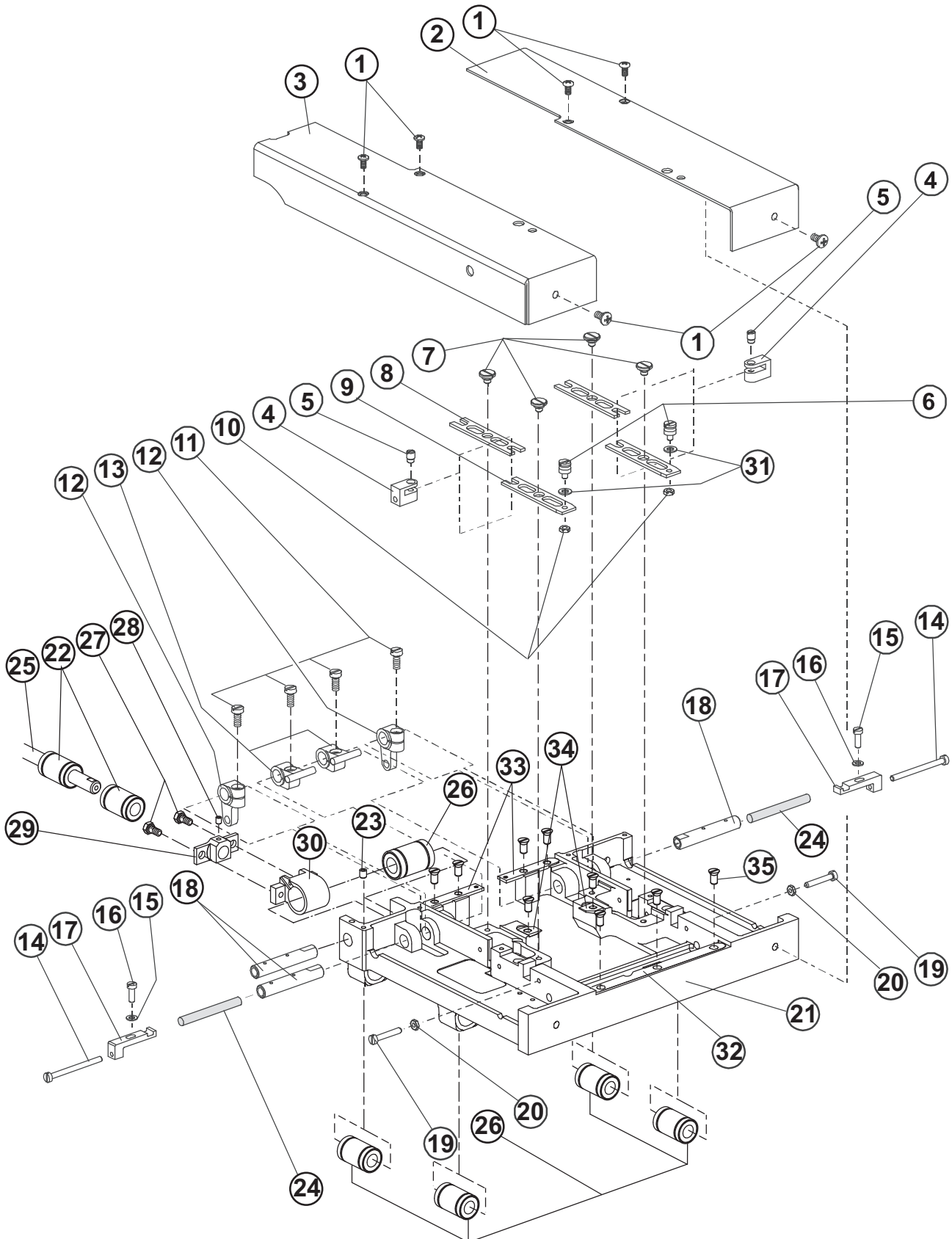
X-Y TABLE MOVEMENT



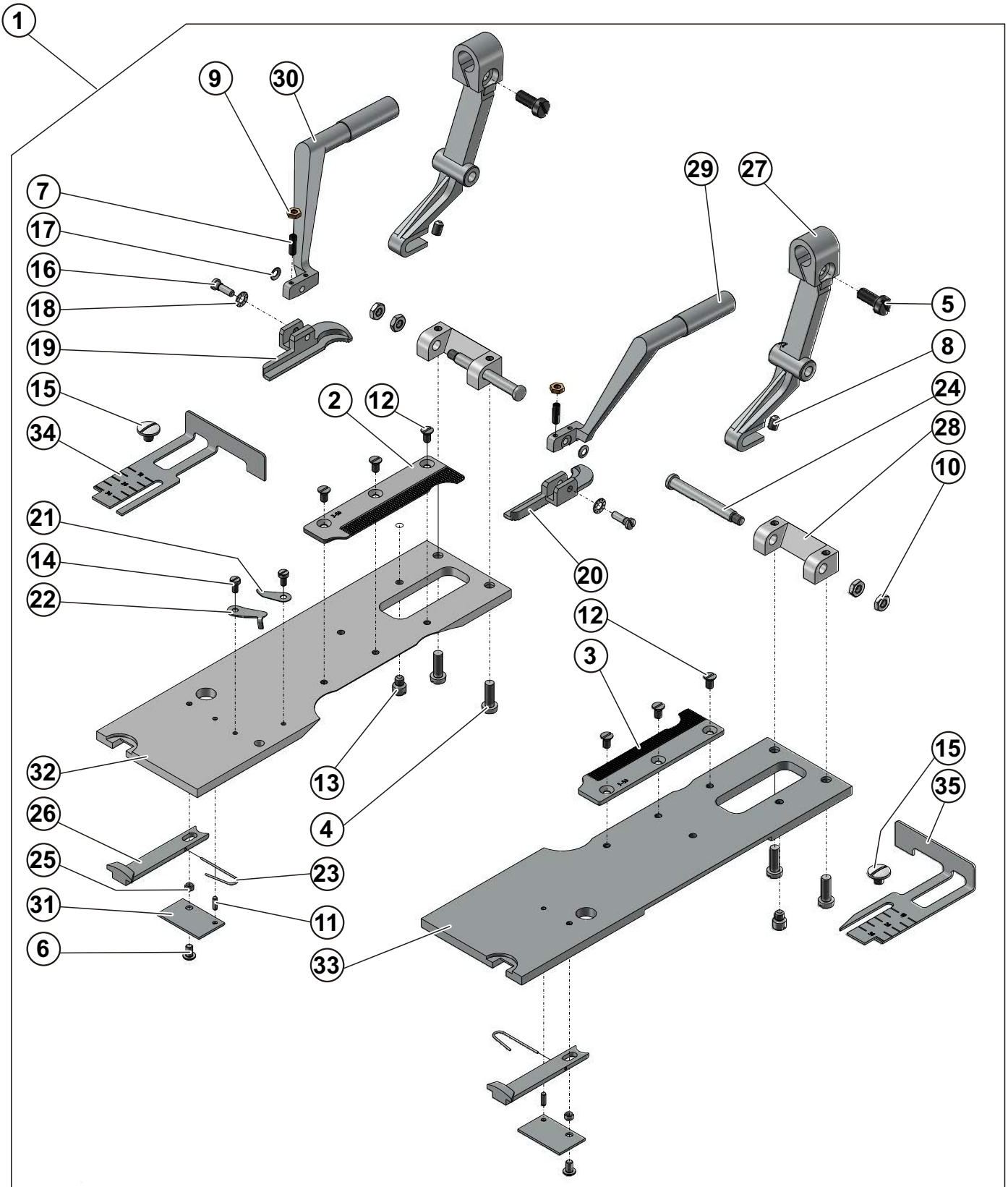
X-Y TABLE MOVEMENT

DET	PART NUMBER	DESCRIPTION	QTY.
01	08.6850.5.000	Washer	8
02	08.6000.4.008	Screw	2
03	08.6100.5.020	Screw	1
04	19.0062.7.410	Shaft Holder ●	1
05	08.6000.4.005	Screw	1
06	19.0019.0.685	Washer	1
07	19.0055.4.408	Timing Belt Pulley	2
08	17.0021.1.069	Key	2
09	19.0033.5.403	Shaft	1
10	12.2050.0.007	Bearing	7
11	19.0041.0.675	Distance Ring	3
12	08.6000.5.016	Screw	8
13	17.0013.4.027	Screw	1
14	19.0064.8.448	Holder Press Pulley	1
15	08.6700.6.300	Nut	1
16	12.5050.2.014	Timing Belt ●●●	1
17	12.5050.2.005	Timing Belt Stock ●●●	1
18	19.0064.7.432	Belt Clamp ●	1
19	08.6000.4.010	Screw	2
20	19.0074.4.523	Holder Shaft Left ●	1
21	08.6000.4.014	Screw	4
22	08.6400.6.006	Screw	6
23	19.0074.4.536	Holder Shaft Right ●	1
24	08.6000.4.012	Screw	6
25	19.0034.0.403	Shaft	2
26	19.0034.0.401	Shaft	1
27	19.0055.4.423	Gear Assembly	1
28	19.0058.1.400	Rack	2
29	12.2070.0.004	Linear Ball Bearing	4
30	19.0034.0.402	Shaft	1
31	08.6850.4.000	Washer	6
32	19.0016.3.403	Nut	2
33	19.0015.6.401	Screw	2
34	19.0055.1.402	Gear	1
35	19.0016.3.405	Key	1
36	19.0012.2.401	Screw	1
37	19.0055.5.400	Gear	2
38	19.0055.1.403	Gear	1
39	19.0043.6.046	Shaft Collar	1
40	19.0041.0.696	Roll ●●●	1
41	19.0033.8.409	Tension Pulley Shaft	1
42	08.6700.6.300	Nut	1
43	08.6400.4.004	Screw	(2)
44	17.0027.4.035	E-Clip	1
45	19.0055.4.424	Gear	1
46	08.6842.5.000	Washer	2
47	08.6200.5.020	Screw	2

BED PLATE ASSEMBLY



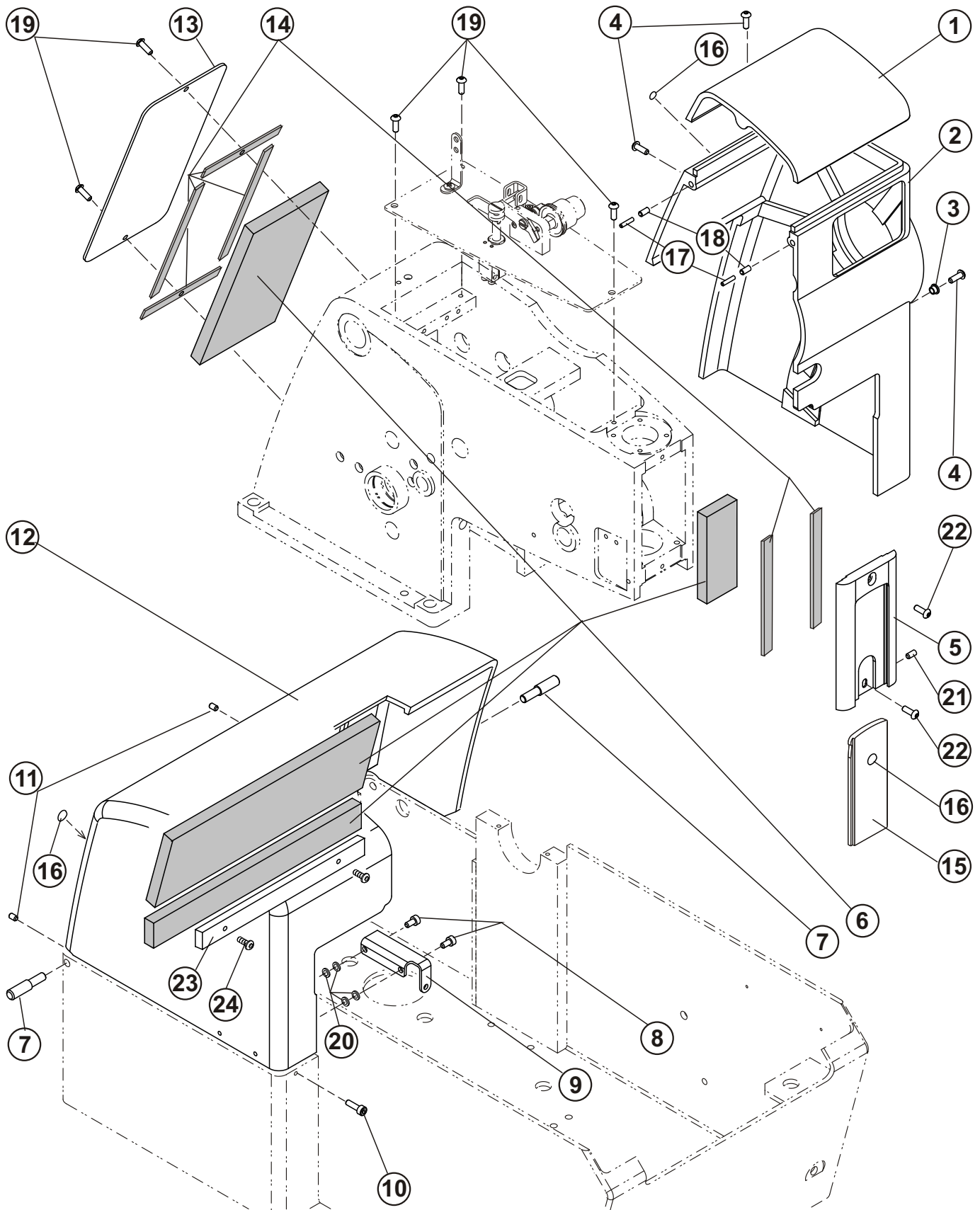
CLAMPING — AF



CLAMPING — AF

DET	PART NUMBER	DESCRIPTION	QTY.
01	19.0003.1.600	Clamps AF	1
02	03.7050.1.001	L. H. Clamp Mat	(1)
03	03.7050.1.002	R. H. Clamp Mat	(1)
04	08.6010.4.012	Screw	(4)
05	08.6010.5.012	Screw	(2)
06	08.6200.3.005	Screw	(2)
07	08.6400.3.010	Screw	(2)
08	08.6400.4.006	Screw	(2)
09	08.6710.3.000	Nut	(2)
10	08.6710.4.000	Nut	(4)
11	12.1010.0.206	Pin	(2)
12	15.1436.0.100	Screw	(6)
13	15.2023.0.300	Screw	(2)
14	17.0012.0.303	Screw	(2)
15	17.0012.4.106	Screw	(2)
16	17.0013.5.067	Screw	(2)
17	17.0019.2.066	Washer	(2)
18	17.0019.5.040	Washer	(2)
19	17.0066.7.157	Clamp Foot Left	(1)
20	17.0066.7.158	Clamp Foot Right	(1)
21	17.0082.5.884	Clips	(1)
22	17.0087.0.169	Knife	(1)
23	19.0027.1.610	Spring	(2)
24	19.0032.8.401	Shaft	(2)
25	19.0041.0.684	Ring Insert	(2)
26	19.0062.5.408	Pawl	(2)
27	19.0063.5.406	Clamp Arm Base	(2)
28	19.0064.7.402	Block	(2)
29	19.0066.8.400	Clamp Arm Right	(1)
30	19.0066.8.401	Clamp Arm Left	(1)
31	19.0081.5.449	Cover Plate	(2)
32	19.0081.6.433	Plate Left - AF	(1)
33	19.0081.6.440	Plate Right - AF	(1)
34	19.0082.6.421	L.H. Cloth Gauge	(1)
35	19.0082.6.422	R.H. Cloth Gauge	(1)

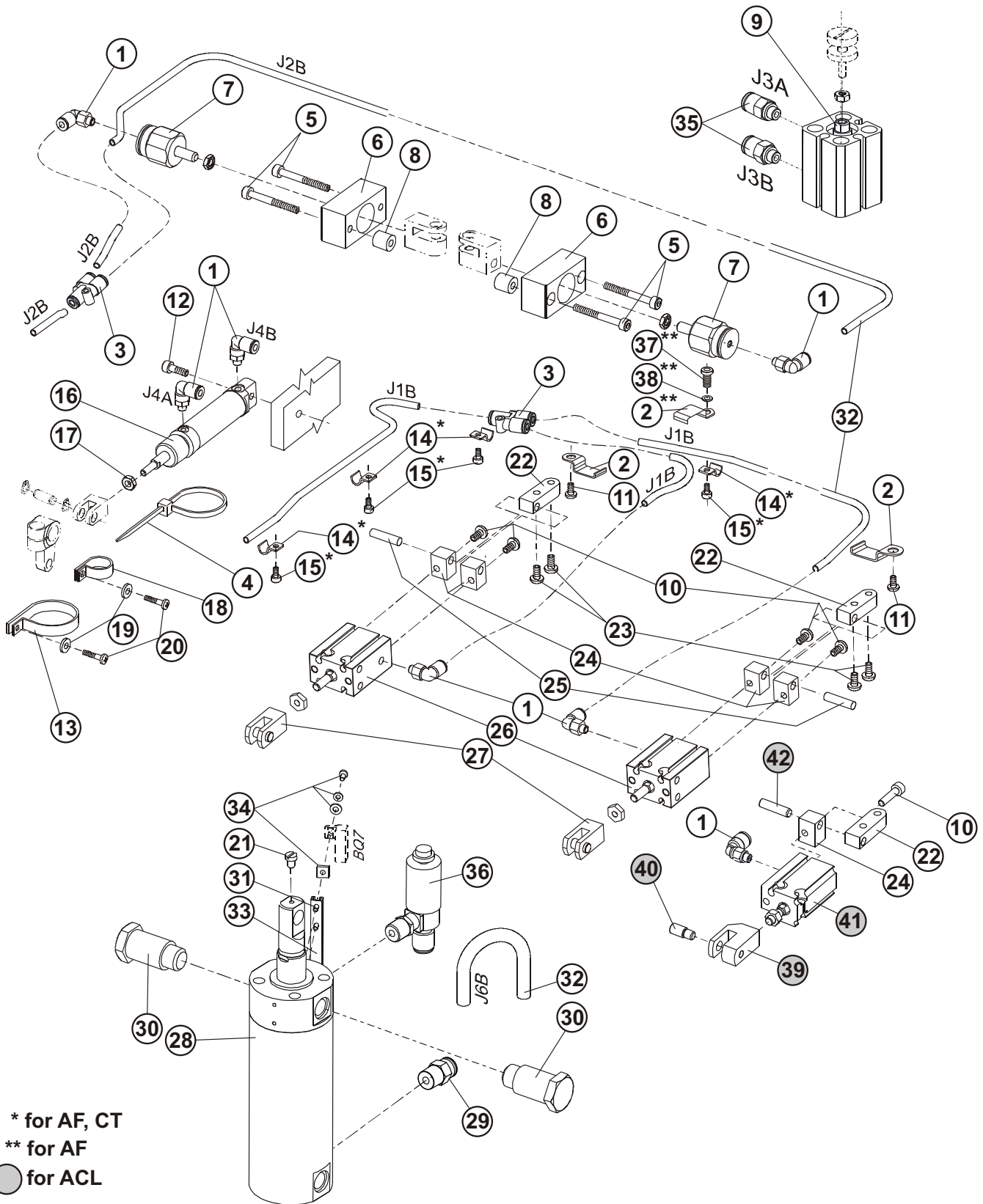
COVERS



COVERS

DET	PART NUMBER	DESCRIPTION	QTY.
01	19.0074.6.225	Stitch Drive Cover •	1
02	19.0075.4.404	Control Panel Cover •	1
03	19.0095.1.408	Ring	1
04	08.6000.4.010	Screw M4x12	3
05	19.0074.6.227	Front Cover •	1
06	19.0095.3.405	Sound Suppressor Kit •••	1
07	19.0031.3.405	Screw	2
08	08.6000.4.008	Screw M4x8	2
09	19.0083.4.021	Shim	1
10	08.6000.4.014	Screw M4x14	1
11	08.6400.4.006	Screw M4x6	2
12	19.0074.6.226	Cover •	1
13	19.0081.5.460	Arm Cover	1
14	19.0094.0.414	Gasket Cover •••	1
15	19.0095.4.403	Cover	1
16	12.0008.6.915	Support	3
17	12.1010.0.320	Pin	2
18	19.0094.2.413	Tube L ₁₀ = 12 mm (2x)	-
19	08.6032.4.008	Screw	6
20	08.6850.4.000	Washer	4
21	08.6400.3.005	Screw	1
22	08.6200.4.008	Screw	2
23	19.0081.5.454	Cover Back	1
24	08.6000.4.005	Screw	2

HEAD PNEUMATIC PARTS STANDARD



* for AF, CT
** for AF
● for ACL

HEAD PNEUMATIC PARTS STANDARD

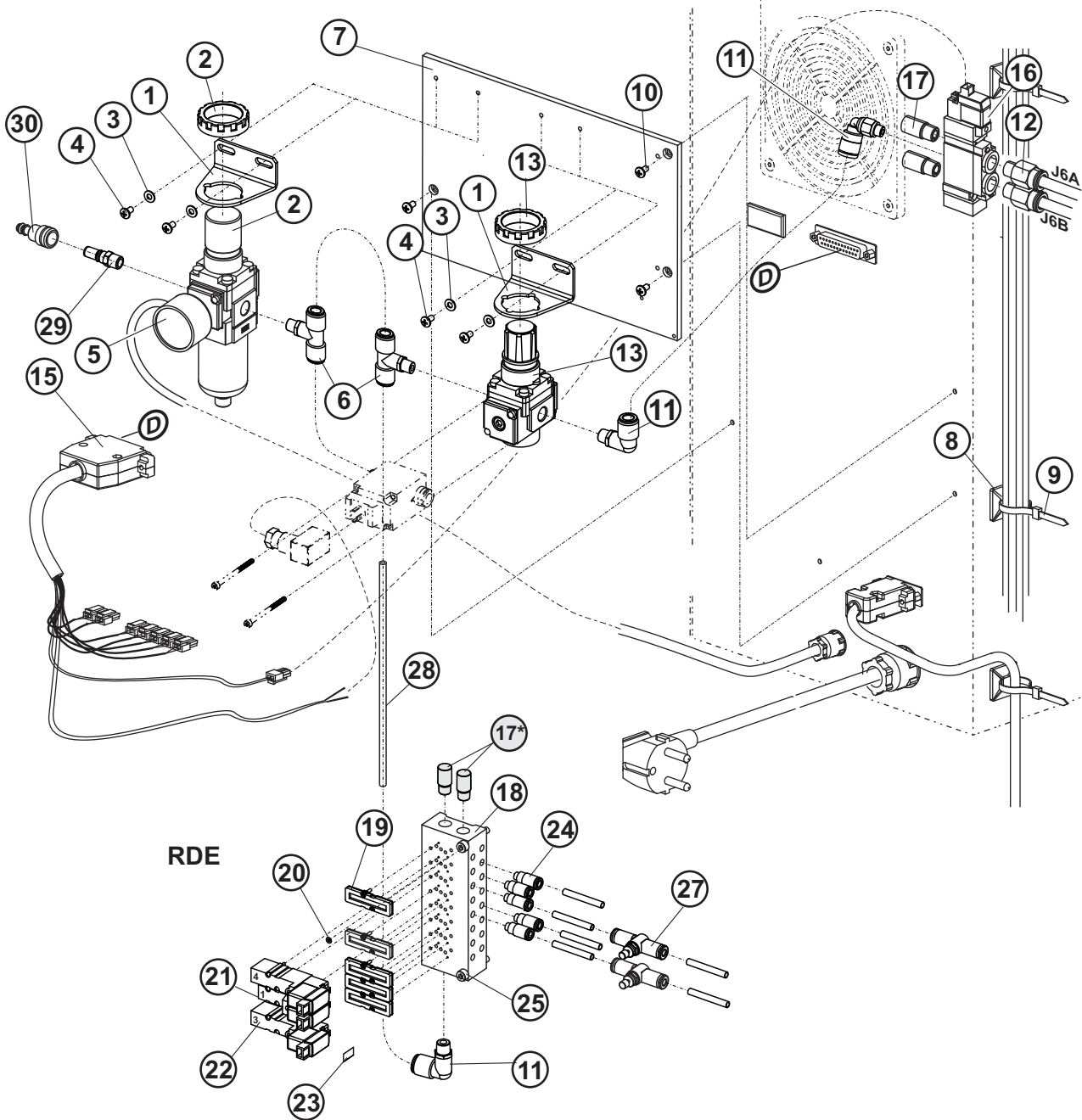
DET	PART NUMBER	DESCRIPTION	QTY.
01	12.0010.3.028	Connector	5
02**	19.0082.6.434	Clamp	3
03	12.0010.3.037	Connector	2
04	12.0008.3.023	Ty-wrap	13
05	08.6000.4.025	Screw	4
06	19.0064.8.445	Valve Holder	2
07	12.0008.3.734	Cylinder	2
08	19.0041.0.690	Roll	2
09	12.0008.3.795	Cylinder	1
10	08.6000.4.016	Screw M4x16	5
11	08.6000.4.005	Screw	2
12	19.0033.2.413	Stud	1
13	12.0008.4.197	Cord Clamp	1
14*	17.0082.6.000	Clamp	4
15*	08.6000.3.006	Screw	4
16	12.0008.3.789	Cylinder	1
17	08.6702.4.000	Nut	1
18	12.0008.4.100	Cord Clamp	1
19	08.6850.4.000	Washer	2
20	08.6000.4.010	Screw	2
21	08.6010.4.006	Screw	1
22	19.0062.6.403	Holder	3
23	08.6200.4.008	Screw	4
24	19.0064.8.444	Cylinder Holder	5
25	12.1010.0.530	Pin 5x20	2
26	12.0008.3.733	Cylinder	2
27	19.0008.3.419	Knuckle	2
28	12.0008.3.788	Cylinder	1
29	12.0010.3.116	Connector	1
30	19.0014.3.405	Shaft	2
31	08.6000.3.006	Screw	(2)
32	19.0094.2.421	Air Tubing Kit	1
33	12.0008.3.789	Switch Rail	1
34	12.0008.3.412	Rail Stopper	1
35	12.0010.3.027	Connector	2
36	12.0008.3.820	Exhaust Speed Contr.	1
37**	08.6000.3.008	Screw	1
38**	08.6850.3.000	Washer	1
39	19.0064.8.424	Knuckle	1
40	19.0033.1.407	Stud	1
41	19.0008.3.418	Cylinder ACL	1
42	12.1010.0.520	Pin 5m6x20	1

* — for AF, CT

** — for AF

ACL

CONTROL BOX — PNEUMATIC PARTS

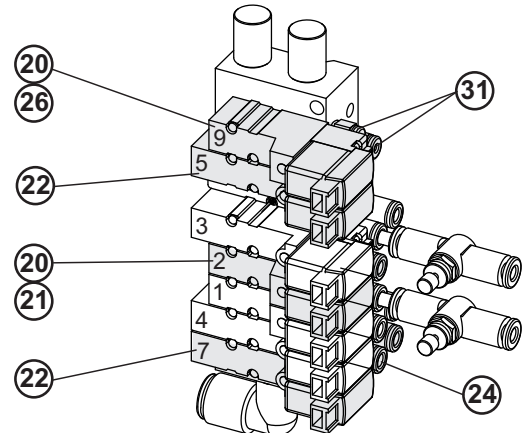
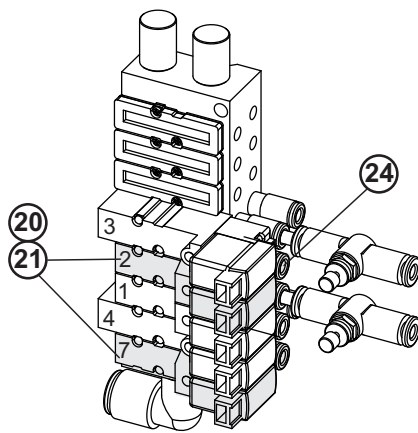
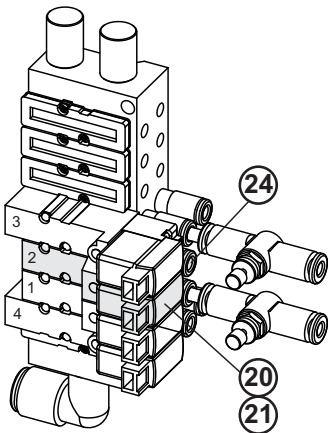


RDE

AF

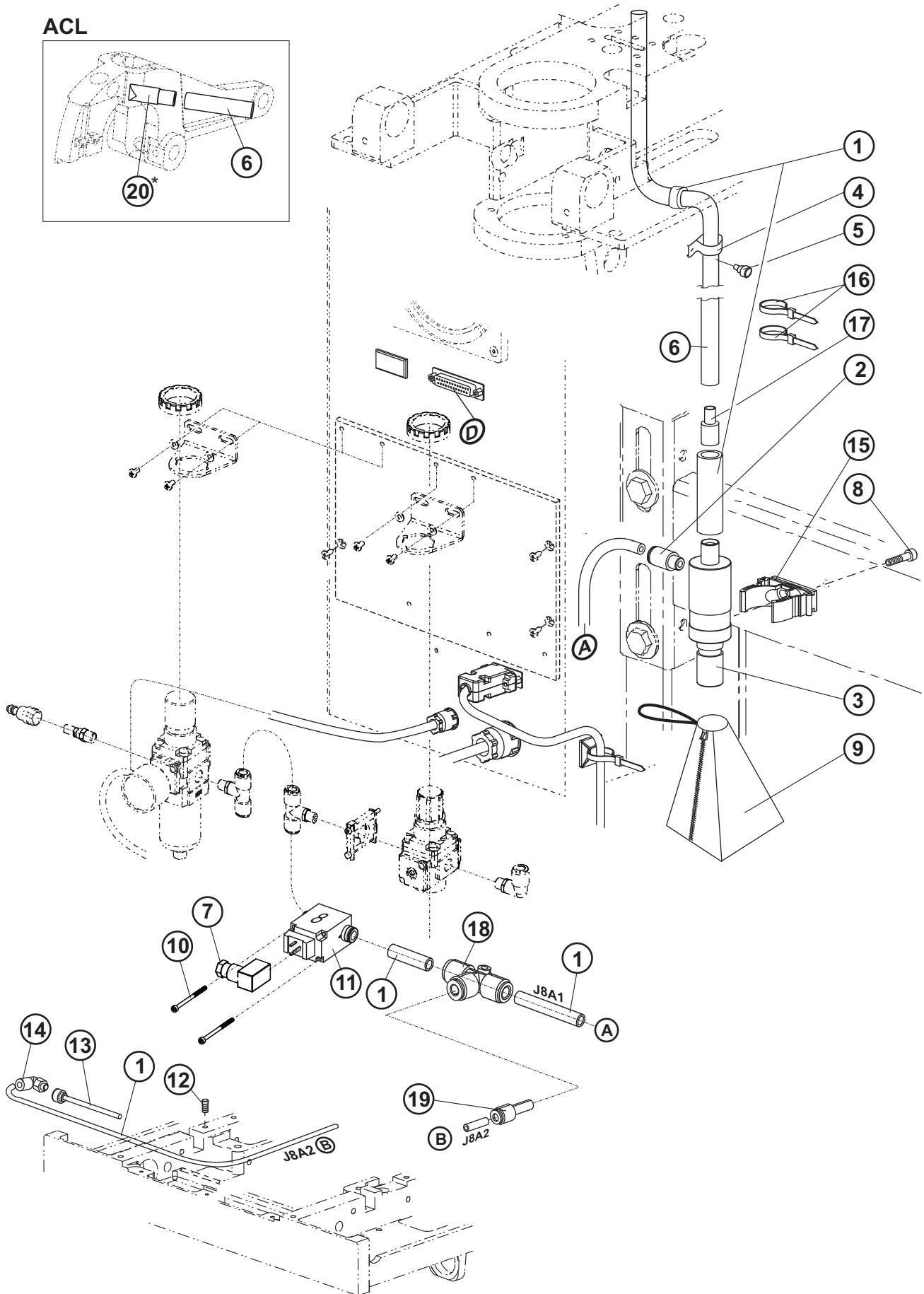
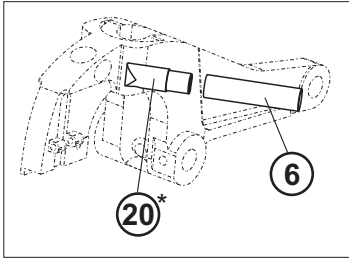
CT

LTT

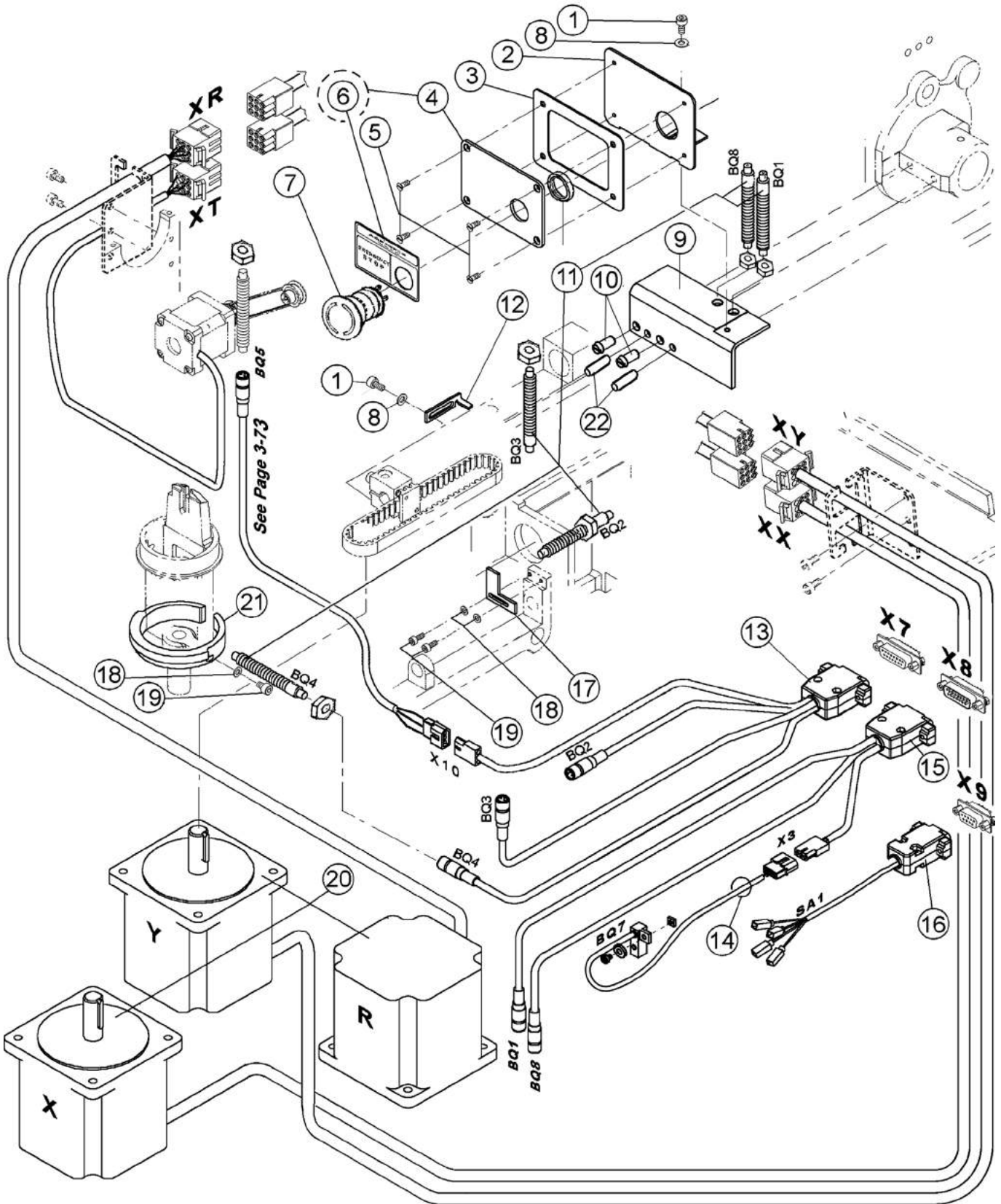


EXHAUST — PNEUMATIC PARTS

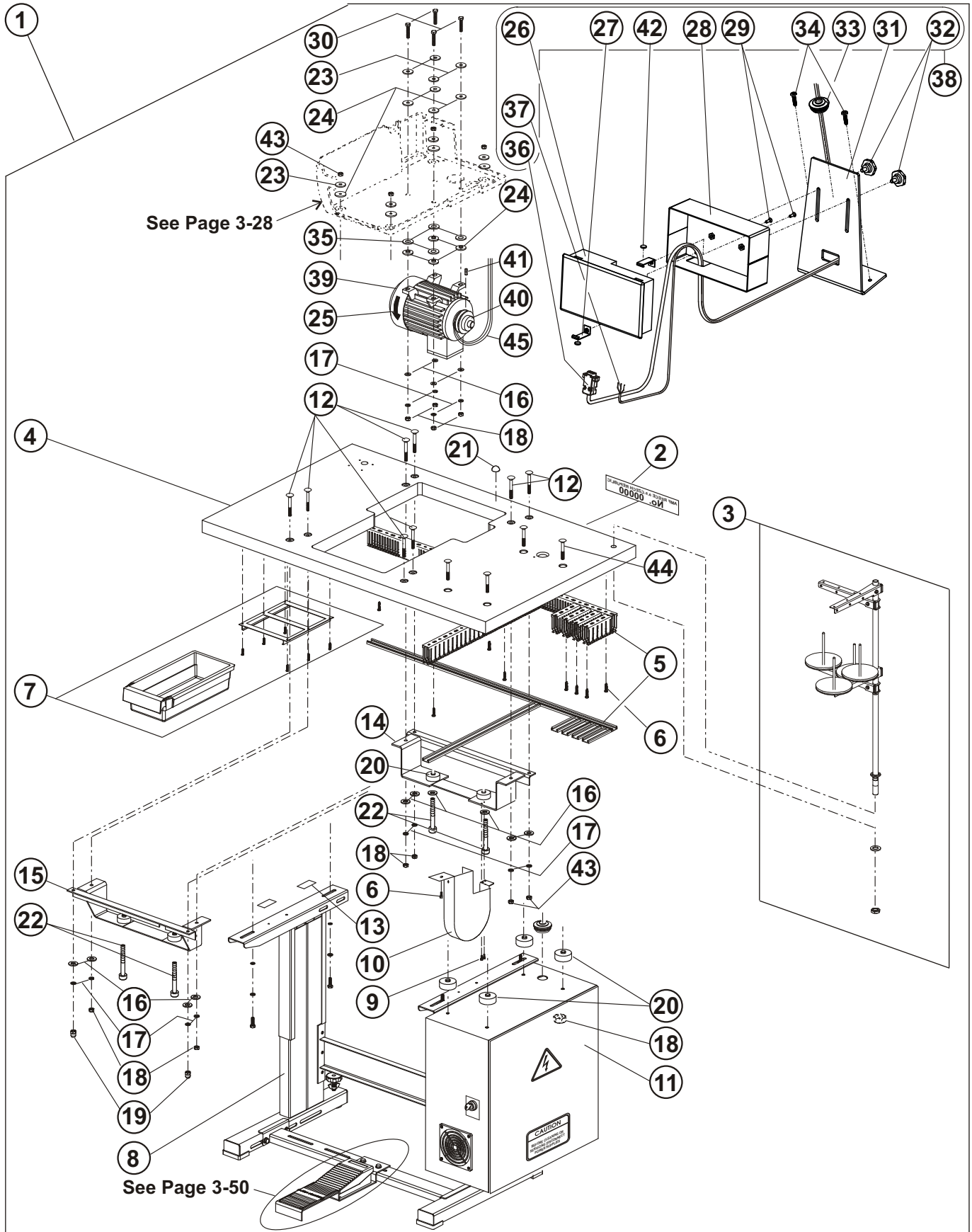
ACL



HEAD ELECTRONIC PARTS



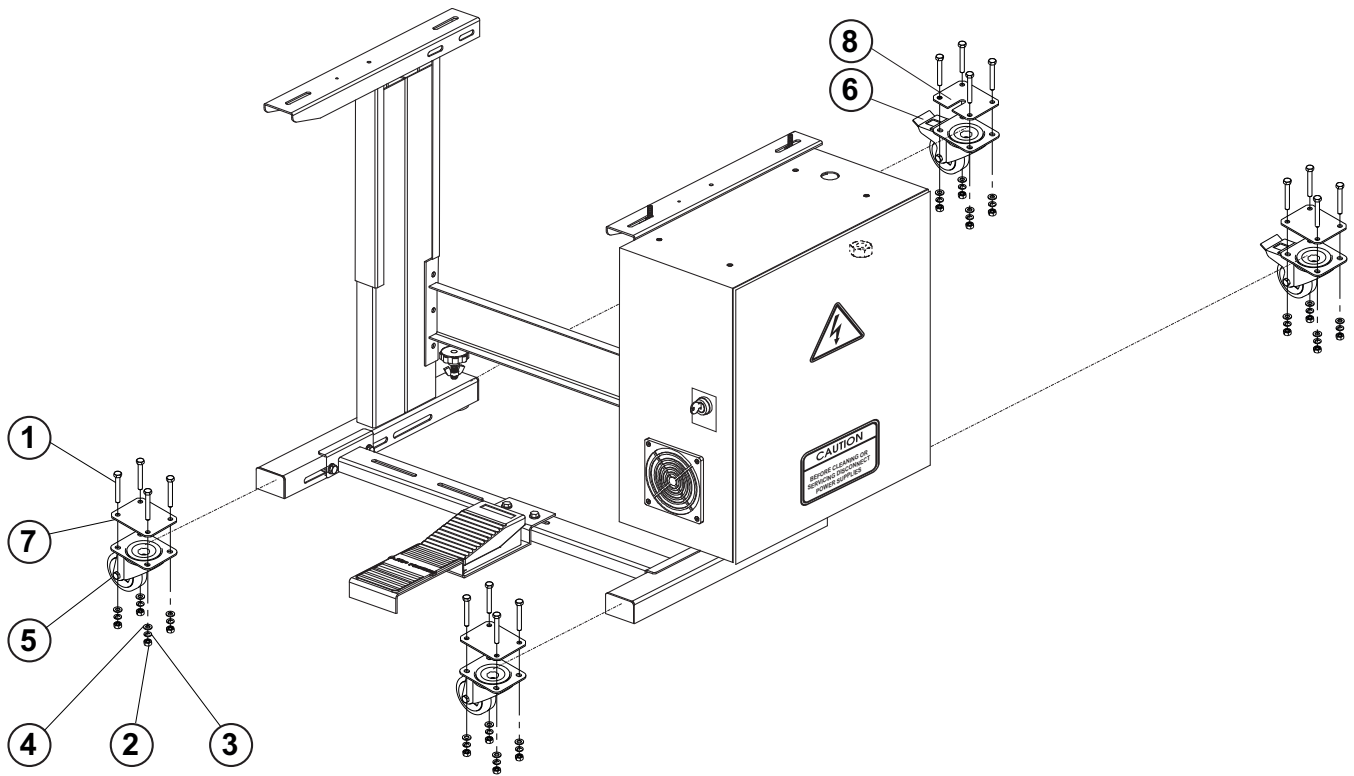
TABLE



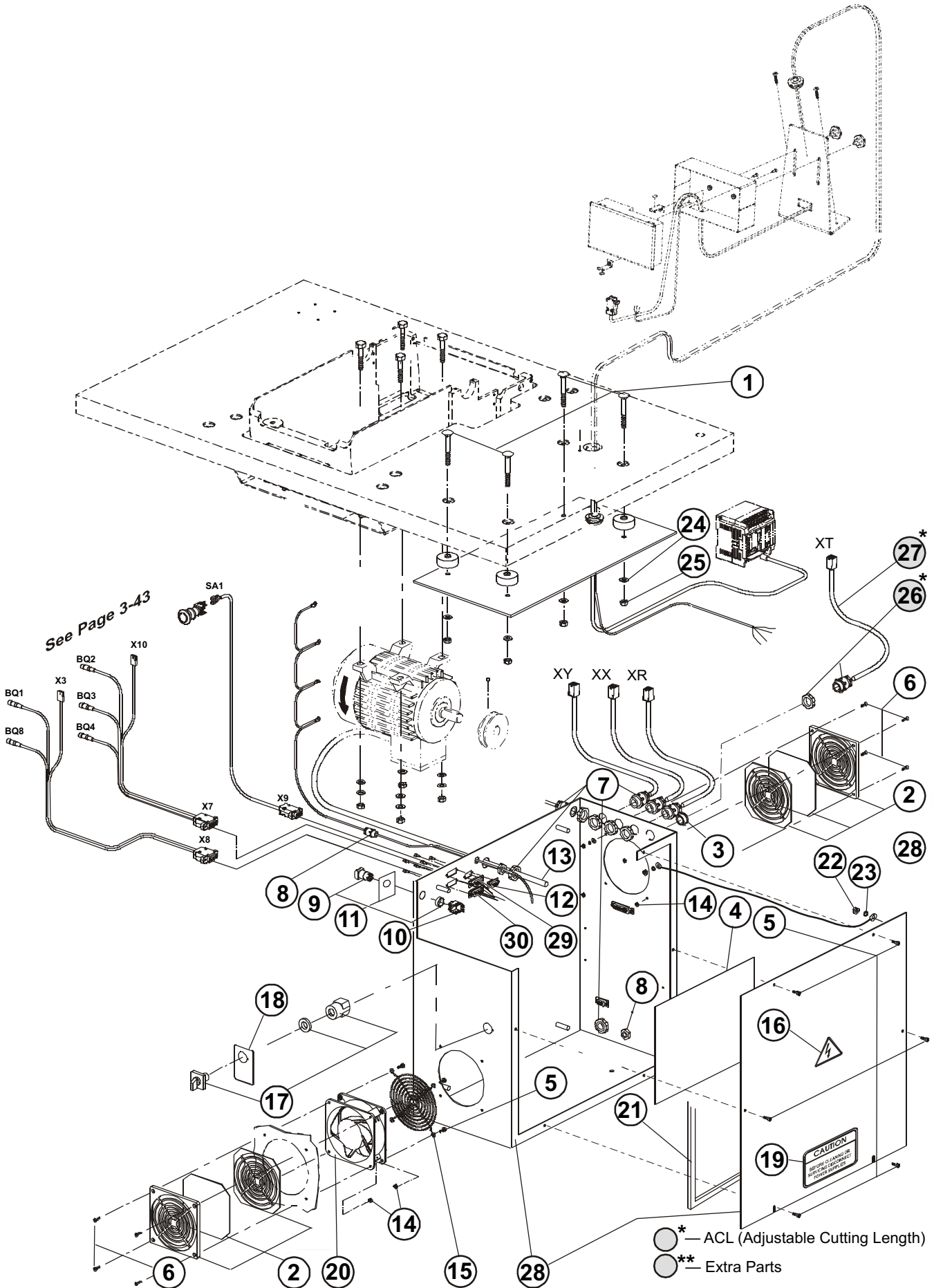
TABLE

DET	PART NUMBER	DESCRIPTION
01	03.5519.2.091	Table Assembly
02	04.1416.0.003	Label "No. xxxxx" ●●●
03	17.0003.6.156	Thread Stand Assembly
04	04.9019.0.901	Table Top ●●●
05	19.0095.2.403	Latch for Cable Kit ●●●
06	08.6632.3.016	Screw
07	12.0008.6.901	Drawer Kit ●●●
08	04.9000.2.123	Frame Kit
09	08.6000.4.008	Screw
10	19.0005.0.028	Cover Pulley ●●●
11	19.0006.9.455	Electrical Box Assembly ▫
12	08.6532.8.050	Screw
13	17.0094.0.200	Washer
14	19.0005.0.016	Framework
15	19.0005.0.015	Framework
16	08.6852.8.000	Washer
17	08.6802.8.000	Spring Washer
18	08.6702.8.000	Nut
19	08.6722.8.000	Nut
20	19.0095.1.405	Rubber Washer
21	12.0008.6.915	Holder
22	08.6312.8.040	Screw
23	01.4750.0.000	Washer
24	17.0095.1.272	Rubber Washer
25	17.0097.5.182	Label
26	19.8001.0.009	Display
27	19.0005.0.032	Panel Holder
28	19.0005.0.031	Display Box
29	08.6100.4.012	Screw
30	08.6312.8.035	Screw
31	19.0083.4.036	Display Box Holder
32	19.0014.7.003	Screw
33	12.0008.4.366	Bushing
34	08.6663.5.025	Screw
35	17.0019.0.441	Washer
36	19.0007.9.045	Cable RS 232
37	19.0007.9.046	Cable Display Power
38	03.5519.3.003	Touch Screen Assembly
39	12.0008.4.757	Motor
40	19.0052.0.501	Puley
41	08.6400.6.006	Screw M6x6
42	24.4049.0.000	Washer
43	08.6733.8.000	M8 Nut Lock
44	08.6532.8.070	Screw
45	12.5050.1.501	Belt

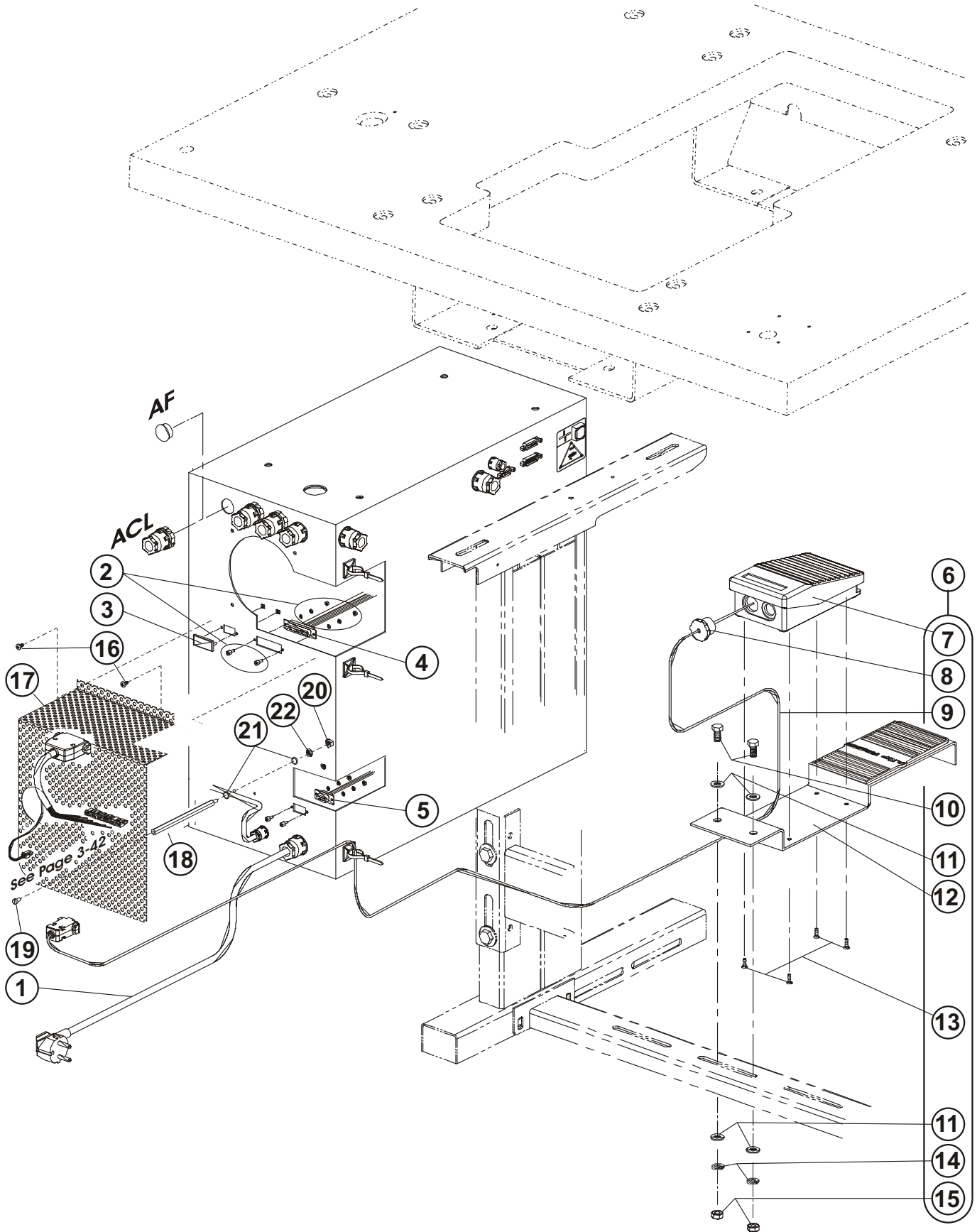
TABLE - ROLLER KIT - EXTRA PARTS



ELECTRONIC BOX — ELECTRONIC PARTS - I



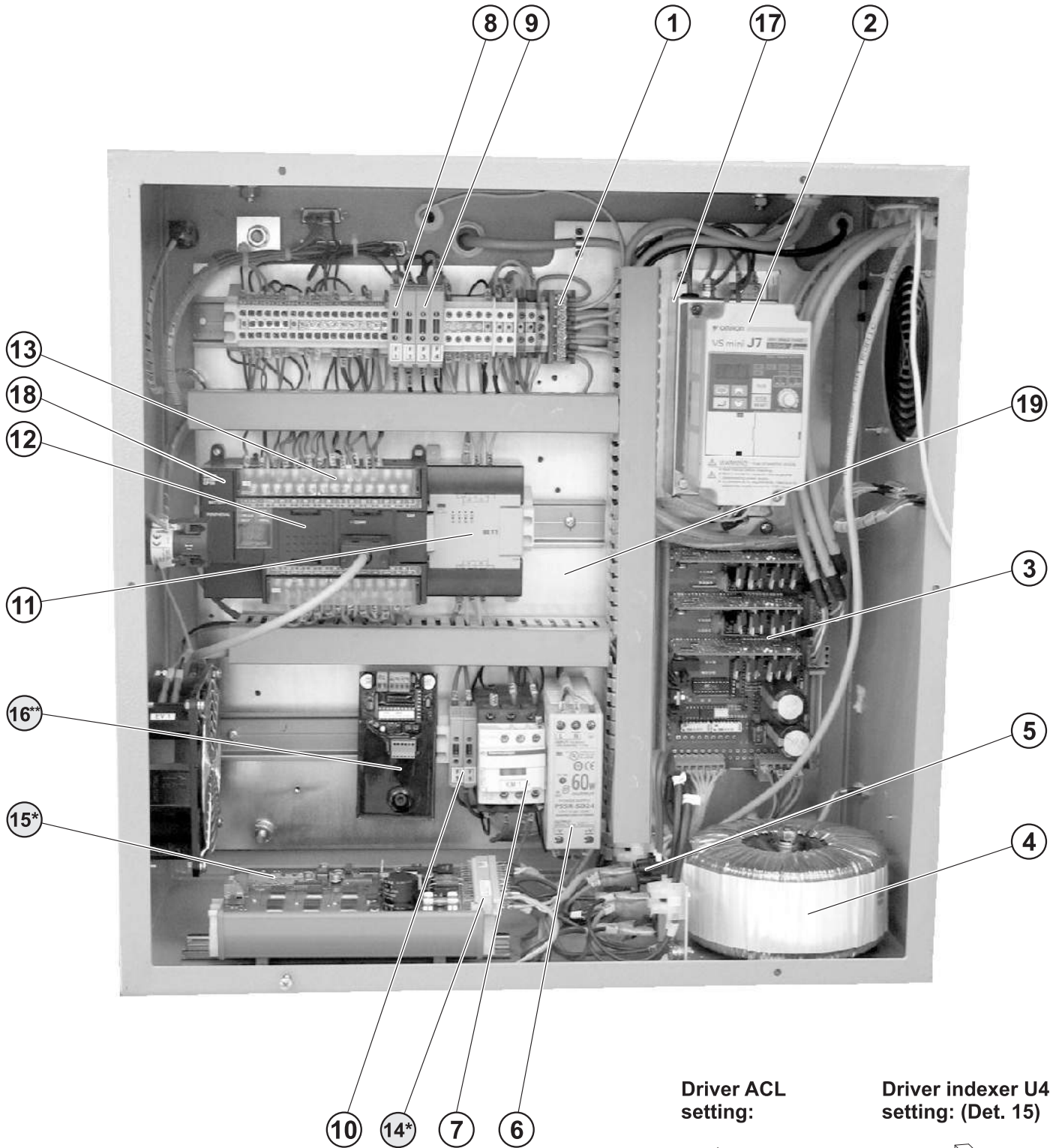
ELECTRONIC BOX — ELECTRONIC PARTS - II



ELECTRONIC BOX — ELECTRONIC PARTS - II

DET	PART NUMBER	DESCRIPTION	QTY.
01	12.0008.4.885	Cable Flexo	1
02	12.0008.4.710	Screw Kit	5
03	12.0008.4.758	Stopper	1
04	19.0007.9.057	Cable X4A	1
05	19.0007.9.058	Cable X5A	1
06	19.0007.9.037	Pedal Assembly	1
07	06.8800.0.001	Pedal	••• (1)
08	12.0008.4.296	Bushing	••• (1)
09	19.0007.9.036	Cable	(1)
10	08.6312.8.020	Screw	(2)
11	08.6852.8.000	Washer	(4)
12	24.0097.0.000	Holder Pedal	(1)
13	08.6100.4.012	Screw	(4)
14	08.6802.8.000	Spring Washer	(2)
15	08.6702.8.020	Screw	(2)
16	08.6662.4.010	Screw	2
17	19.0083.1.688	Cover	1
18	19.0014.6.412	Distance Nut	1
19	08.6010.4.008	Screw	2
20	08.6702.4.000	Nut	1
21	08.6852.4.000	Washer	2
22	08.6832.4.000	Washer Serated	1

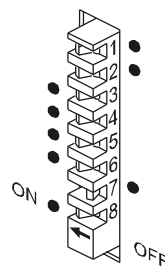
ELECTRONIC BOX — ELECTRONIC PARTS - III



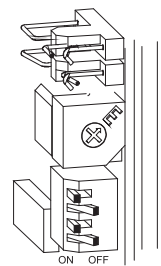
* Only indexer

** Only ACL

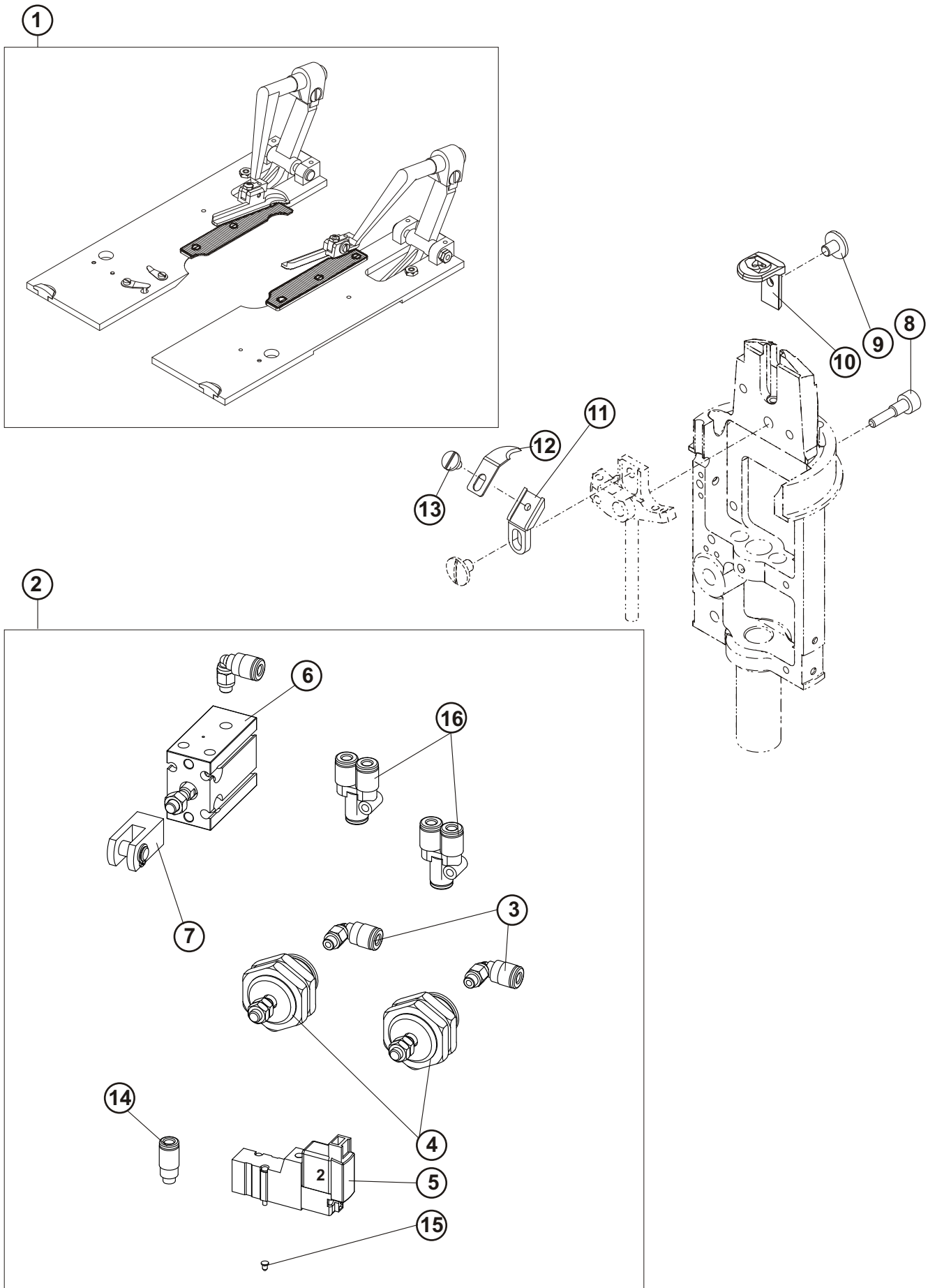
Driver ACL setting:



Driver indexer U4 setting: (Det. 15)



VERSION AF



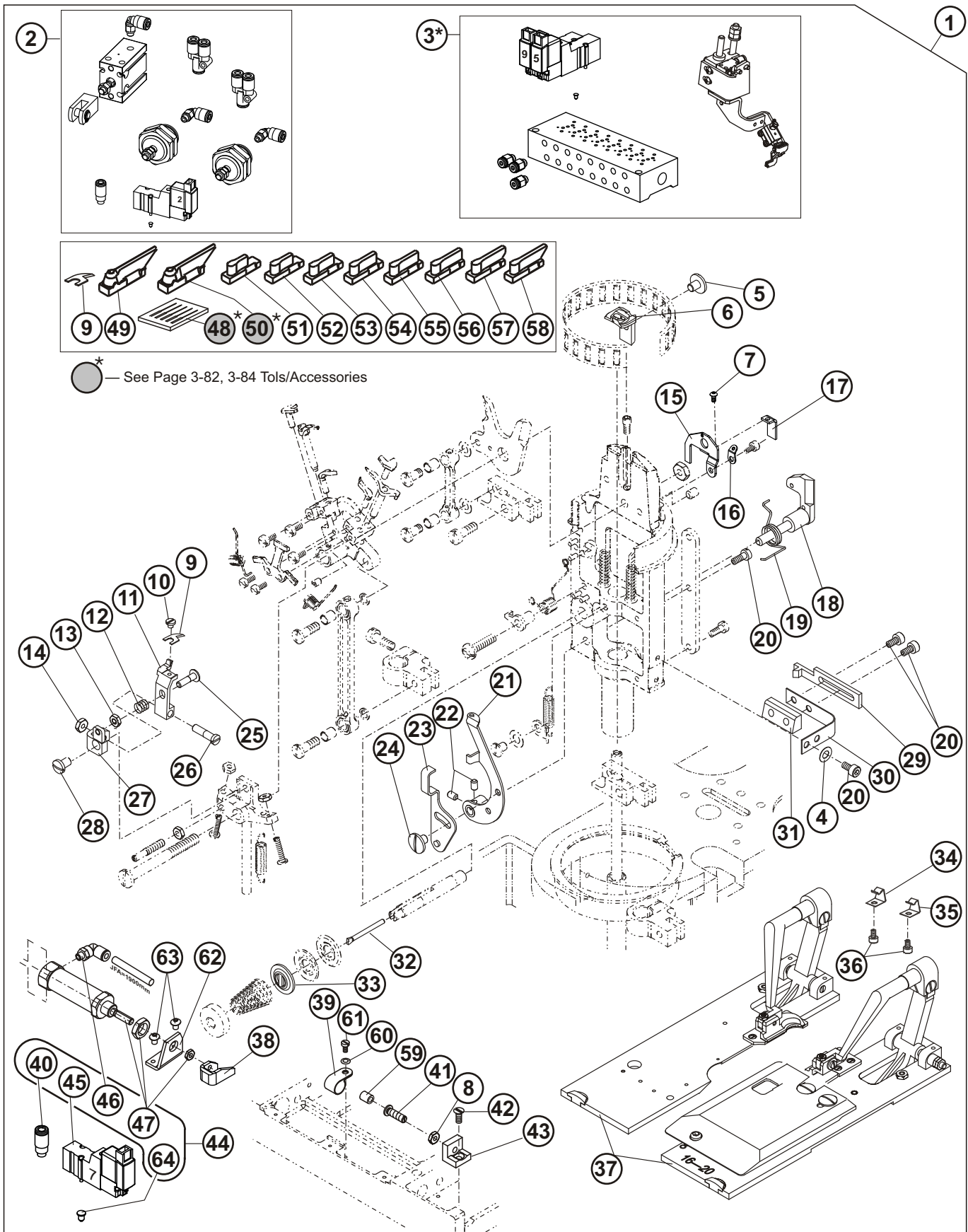
VERSION CT

DET	PART NUMBER	DESCRIPTION	QTY.
01	03.5519.4.022	Kit S311 CT 14 — 24	1
	03.5519.4.023	Kit S311 CT 22 — 32	
	03.5519.4.029	Kit S311 CT 14 — 32	
02	See Page 3-53	Kit Pneumatics AF	(1)
03*	See Page 3-63	Kit Thread Clamp S311 (03.5519.4.013)	(1)
04	08.6850.3.000	Washer	(1)
05	01.2056.1.000	Screw	(1)
06	10.4012.5.016	Throat Plate C36-21	(1)
07	08.6200.3.005	Screw	(1)
08	08.6710.5.000	Nut	1
09	19.0087.0.420	Knife CT*	(1+1*)
10	17.0012.0.688	Screw *	(1)
11	19.0061.6.401	Knife Holder CT*	(1)
12	17.0026.0.218	Spring	(1)
13	08.6700.3.000	Nut	1
14	17.0016.1.401	Nut	(1)
15	19.0083.4.034	Thread Smoother	(1)
16	19.0082.1.413	Thread Smoother	(1)
17	19.0083.4.035	Thread Guard	(1)
18	19.0005.2.210	Lever	(1)
19	18.0026.4.403	Spring	(1)
20	08.6010.3.006	Screw	(4)
21	19.0005.2.216	Lever	(1)
22	08.6400.4.004	Screw	(2)
23	19.0082.2.526	Lever	(1)
24	17.0012.1.137	Screw	(1)
25	17.0014.1.178	Screw	(1)
26	17.0013.1.482	Screw	(1)
27	19.0082.6.420	Holder	(1)
28	19.0012.0.689	Screw	(1)
29	19.0062.5.405	Lever	(1)
30	18.0028.3.401	Spring	(1)
31	18.0082.6.406	Block	(1)
32	18.0031.0.481	Pin	(1)
33	17.0082.8.082	Release Washer	(1)
34	19.0028.3.403	Spring Clip L.H.	(1)
35	19.0028.3.404	Spring Clip R.H.	(1)
36	19.0012.5.400	Screw M3-2,3	(2)
37	See Table Below	Clamps	(1)
38	19.0082.3.442	Actuator	1
39	12.0008.4.280	Cord Clamp	(1)
40	12.0010.3.089	Connector	((1))
41	08.6000.5.060	Screw	(1)
42	08.6100.4.010	Screw	(1)

* — Tools/Accessories



VERSION CT



VERSION CT

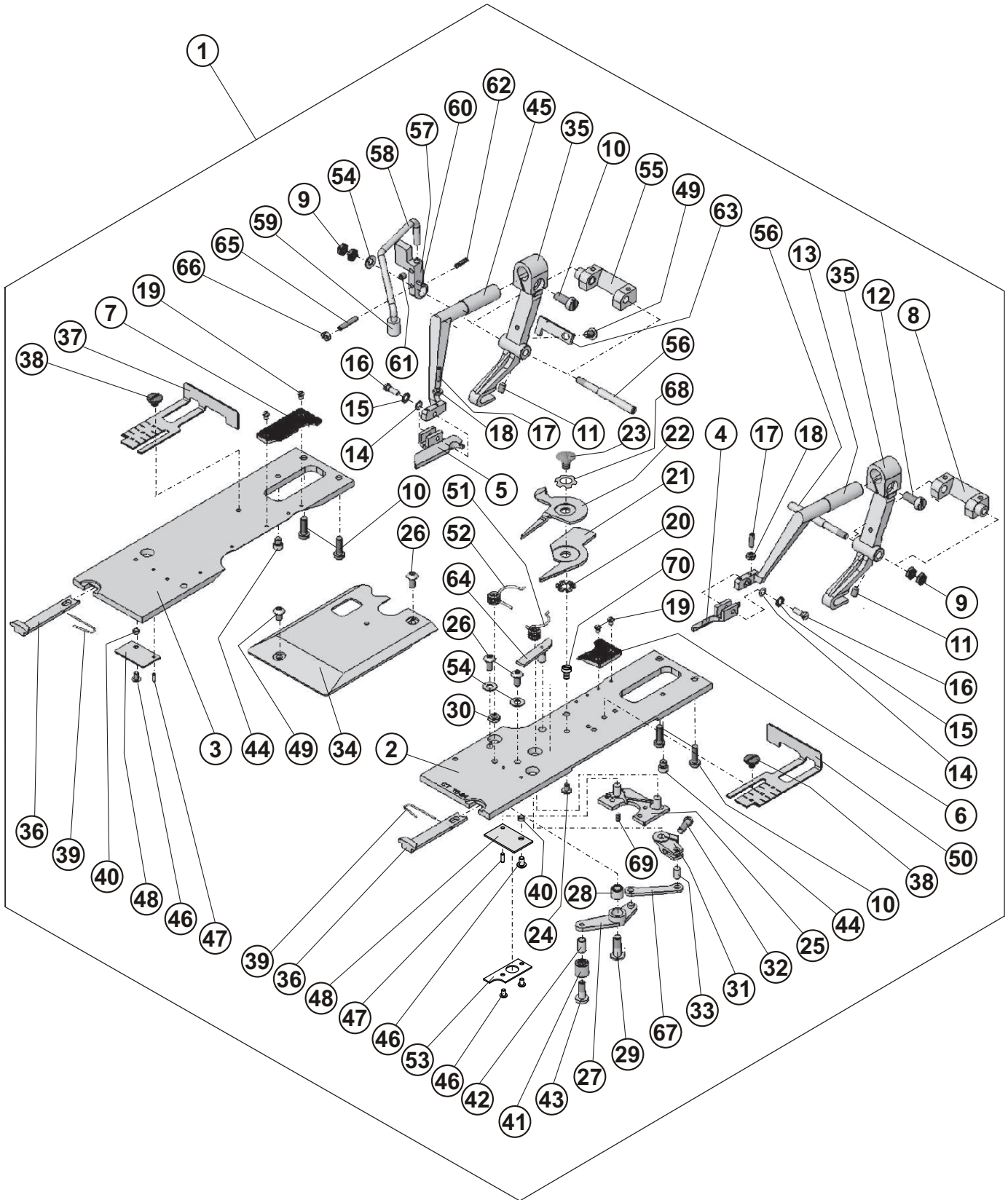


DET	PART NUMBER	DESCRIPTION	QTY.
43	19.0064.6.472	Stop	(1)
44	12.0008.3.555	Kit Pneumatics S311 CT	(1)
45	12.0008.3.780	Valve	((1))
46	12.0010.3.028	Connector	((1))
47	12.0008.3.827	Cylinder	((1))
48*	02.0558.0.112	Needle 558 Nm110	6
49	19.0087.0.432	Knife 28x42-38	1
50*	19.0087.0.434	Knife 32x50-38	1
51	See Table Below	Cuting Steel 16T	—
52	See Table Below	Cuting Steel 19T	—
53	See Table Below	Cuting Steel 20T	—
54	See Table Below	Cuting Steel 22T	—
55	See Table Below	Cuting Steel 24T	—
56	See Table Below	Cuting Steel 26T	—
57	See Table Below	Cuting Steel 29T	—
58	See Table Below	Cuting Steel 32T	—
59	19.0095.1.406	Rest	(1)
60	08.6852.4.000	Washer	(1)
61	08.6000.3.008	Screw	(1)
62	19.0082.3.463	Holder	(1)
63	08.6200.4.006	Screw	(1)
64	12.0010.3.146	Plug	((1))

* — Tools/Accessories

DET	Kit Version CT						DESCRIPTION
	03.5519.4.022		03.5519.4.023		03.5519.4.029		
	S311 CT 14 — 24		S311 CT 22 — 32		S311 CT 14 — 32		
	PART NUMBER	QTY.	PART NUMBER	QTY.	PART NUMBER	QTY.	
37	19.0003.1.691	1	—	—	19.0003.1.691	1	Clamps S311 CT 14—24
	—	—	19.0003.1.692	1	19.0003.1.692	1	Clamps S311 CT 22—32
51	19.0064.5.849	1	—	—	19.0064.5.849	1	Cuting Steel 16T
52	19.0064.5.952	1	—	—	—	—	Cuting Steel 19T
53	19.0064.5.851	1	—	—	19.0064.5.851	1	Cuting Steel 20T
54	—	—	—	—	—	—	Cuting Steel 22T
55	19.0064.5.853	1	19.0064.5.853	1	19.0064.9.853	1	Cuting Steel 24T
56	—	—	19.0064.5.854	1	—	—	Cuting Steel 26T
57	—	—	19.0064.5.855	1	—	—	Cuting Steel 29T
58	—	—	19.0064.5.856	1	19.0064.5.856	1	Cuting Steel 32T

VERSION CT CLAMPING

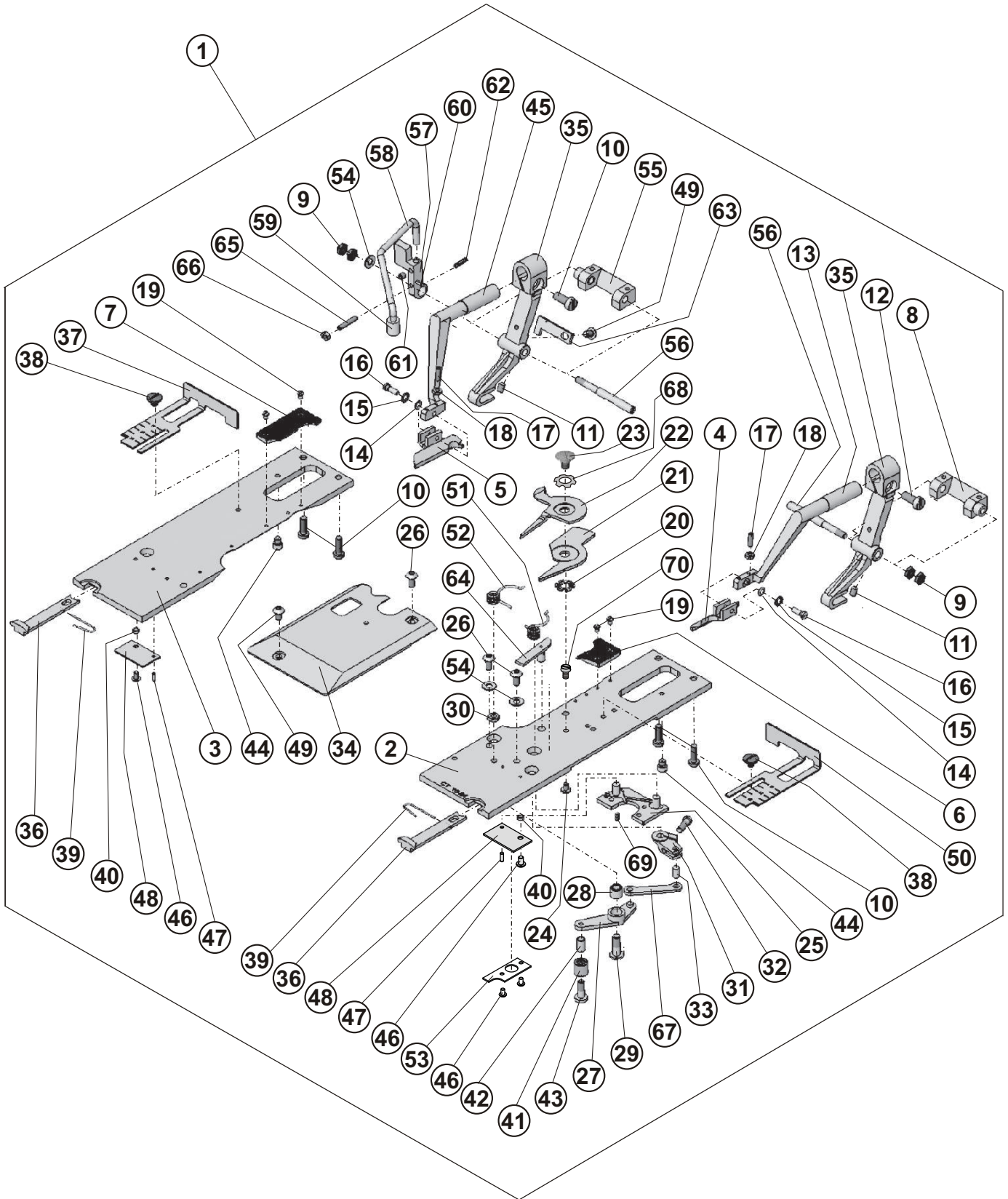


VERSION CT CLAMPING

DET	PART NUMBER	DESCRIPTION	QTY.
01	19.0003.1.691	Modification (14-24)	1
	19.0003.1.692	Modification (22-32)	
02	See Table Below	R.H.Plate	
03	19.0081.6.433	L.H.Plate	1
04	See Table Below	Clamp Foot Right	
05	See Table Below	Clamp Foot Left	
06	See Table Below	Clamp Mat Right	
07	See Table Below	Clamp Mat Left	
08	19.0064.7.424	Block Right	1
09	See Table Below	Nut M4	4
10	08.6010.4.012	Screw M4-12	4
11	08.6400.4.006	Screw M4-6	2
12	08.6010.5.012	Screw M5-12	2
13	19.0066.8.400	Clamp Arm Right	1
14	17.0019.2.066	Washer	2
15	17.0019.5.040	Washer	2
16	17.0013.5.067	Screw	2
17	08.6400.3.010	Screw M3-10	2
18	08.6710.3.000	Nut M3	2
19	15.1436.0.000	Screw	4
20	12.3013.0.002	Washer-Spring	1
21	19.0087.0.446	Lower Shear-Cord Trim	1
22	19.0087.0.447	Uppre Shear - CT	1
23	19.0013.1.498	Pivot Screw	1
24	17.0012.0.605	Screw	1
25	19.0005.2.220	Actuator Assembly	1
26	08.6200.4.008	Screw M4-8	3
27	See Table Below	Lever	
28	19.0044.1.626	Bushing	1
29	19.0012.1.404	Screw	1
30	17.0016.1.054	Nut	1
31	19.0061.3.605	Lever	1
32	17.0012.0.543	Screw M4-12	1
33	12.1010.0.408	Pin	1
34	19.0074.6.228	Cover CT	1
35	19.0063.5.410	Clamp Arm Base Uni	2
36	19.0062.5.408	Pawl	2
37	19.0082.6.421	L.H.Cloth Gauge	1
38	17.0012.4.106	Screw M4	2
39	19.0027.1.610	Springt	2
40	19.0041.0.684	Ring Insert	2
41	12.2050.1.005	Ložisko	1
42	19.0041.1.400	Bushing	1



VERSION CT CLAMPING



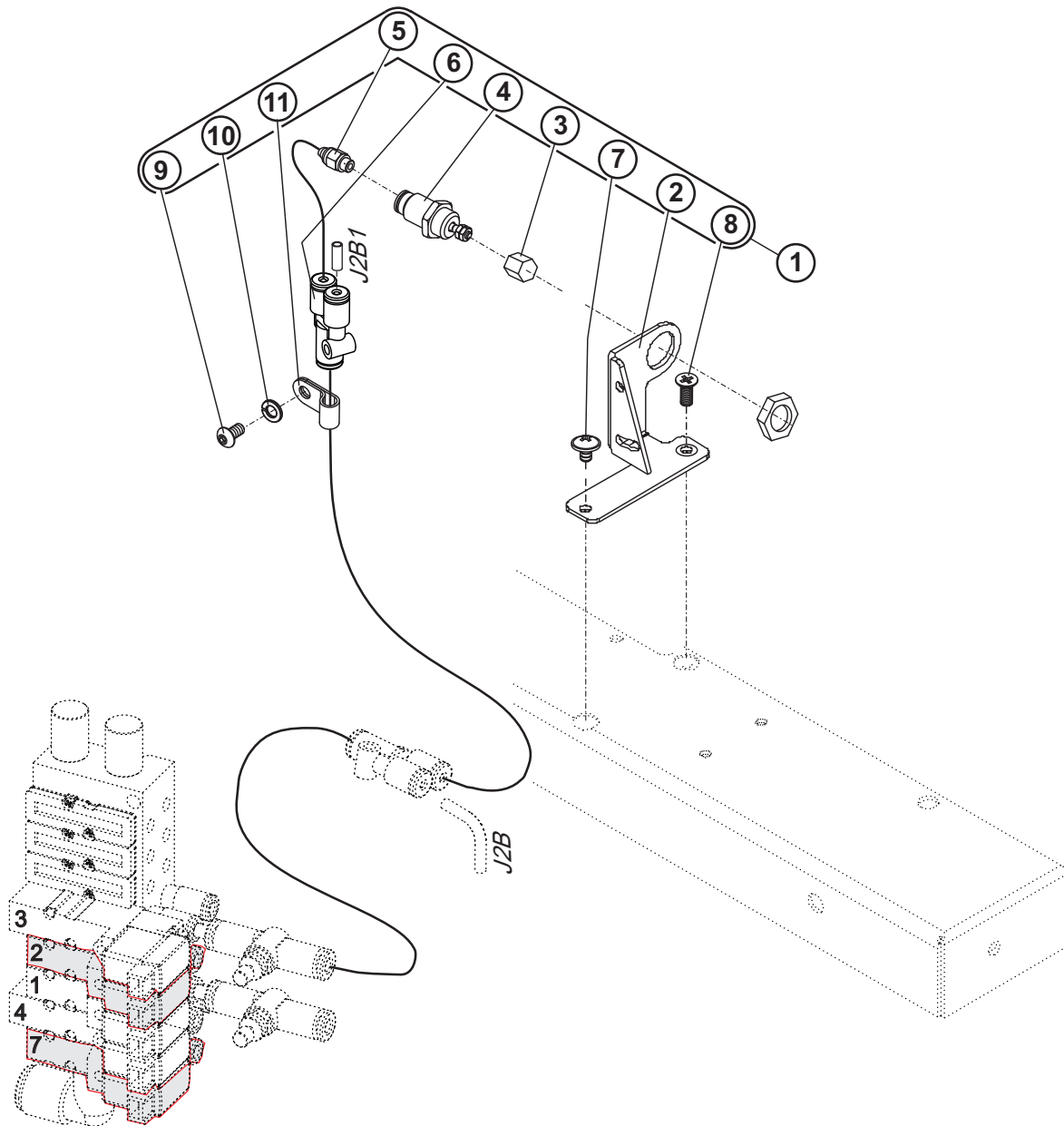
VERSION CT CLAMPING



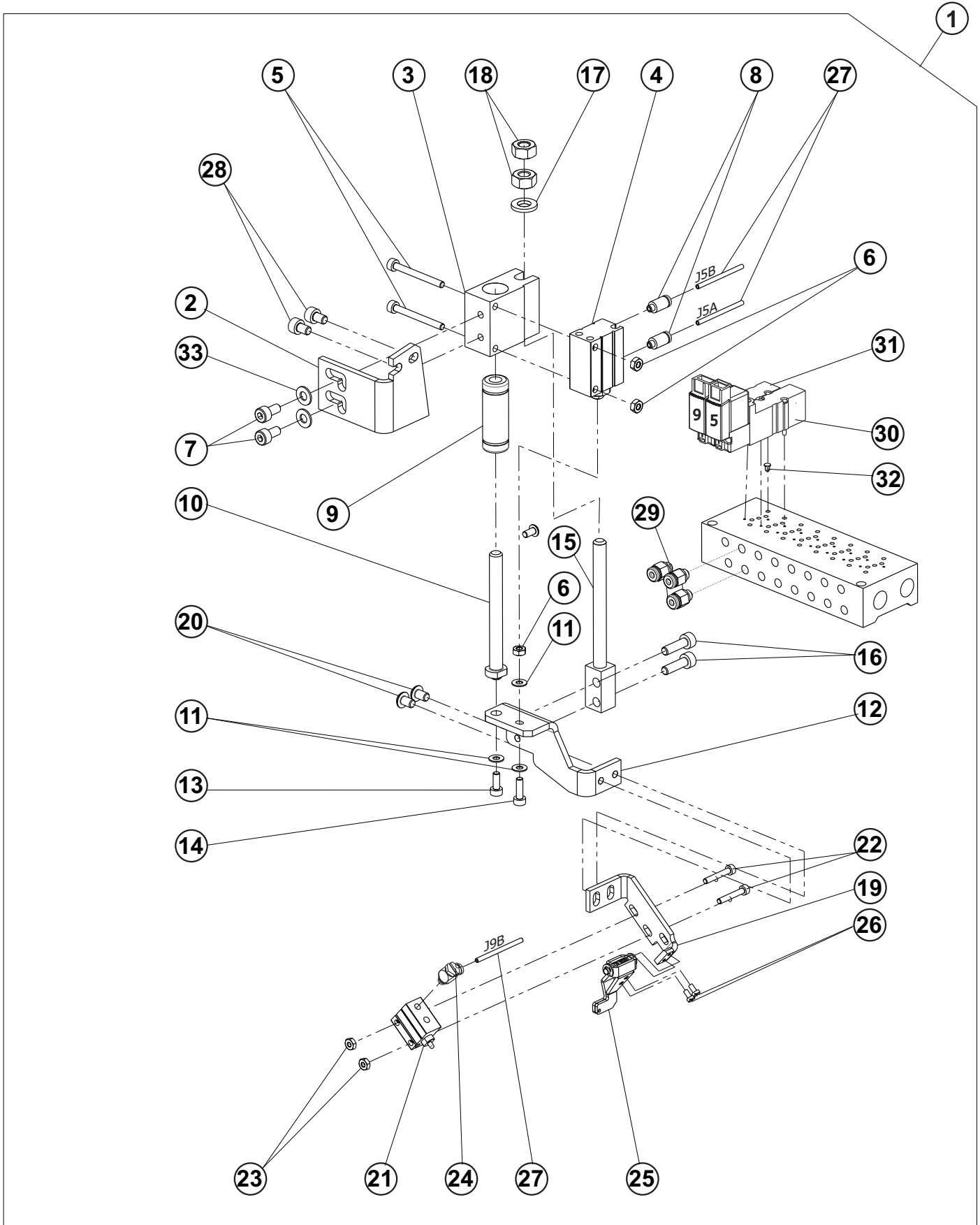
DET	PART NUMBER	DESCRIPTION	QTY.
43	17.0012.1.142	Screw	1
44	15.2023.0.300	Screw	2
45	19.0066.8.401	Clamp Arm Left	1
46	See Table Below	Screw M3-5	
47	See Table Below	Pin	
48	See Table Below	Cover Plate	
49	08.6200.4.006	Screw M4-6	2
50	19.0082.6.422	R.H.Cloth Gauge	1
51	17.0026.4.064	Springt	1
52	19.0026.4.405	Spring - Torsion	1
53	See Table Below	Cover Plate	
54	08.6850.4.000	Washer M4	3
55	19.0064.7.423	Block Left	1
56	19.0032.8.404	Screw CT	2
57	18.0064.8.426	Hold Down Finger Right	1
58	19.0027.1.617	Holder	1
59	19.0095.1.401	Inset	1
60	12.1015.0.002	Pin	1
61	08.6400.4.005	Screw M4-4	1
62	01.5041.0.000	Spring-Extension	1
63	19.0081.0.510	Stop	1
64	19.0062.5.415	Actuator	1
65	08.6400.3.010	Screw M3-10	1
66	08.6700.3.000	Nut M3	1
67	See Table Below	Lever	
68	19.0019.6.402	Washer	1
69	08.6400.3.006	Screw M3-6	1
70	08.6010.3.005	Screw 13-5	1

DET	MODIFICATION KIT — BUTTONHOLE LENGTH			
	19.0003.1.691		19.0003.1.692	
	14—24		22—32	
	PART NUMBER	QTY.	PART NUMBER	QTY.
2	19.0081.6.483	1	19.0081.6.487	1
4	19.0066.7.412	1	19.0066.7.426	1
5	19.0066.7.413	1	19.0066.7.427	1
6	03.7050.0.022	1	03.7050.0.024	1
7	03.7050.0.021	1	03.7050.0.023	1
27	19.0063.3.408	1	19.0063.3.407	1
46	08.6200.3.005	2	08.6200.3.005	3
47	12.1010.0.206	2	12.1010.0.206	1
48	19.0081.5.449	2	19.0081.5.449	1
53	-	-	19.0081.5.441	1
67	19.0081.0.514	1	19.0081.0.512	1

CLAMP ARM



VERSION CT/LTT — THREAD CLAMP



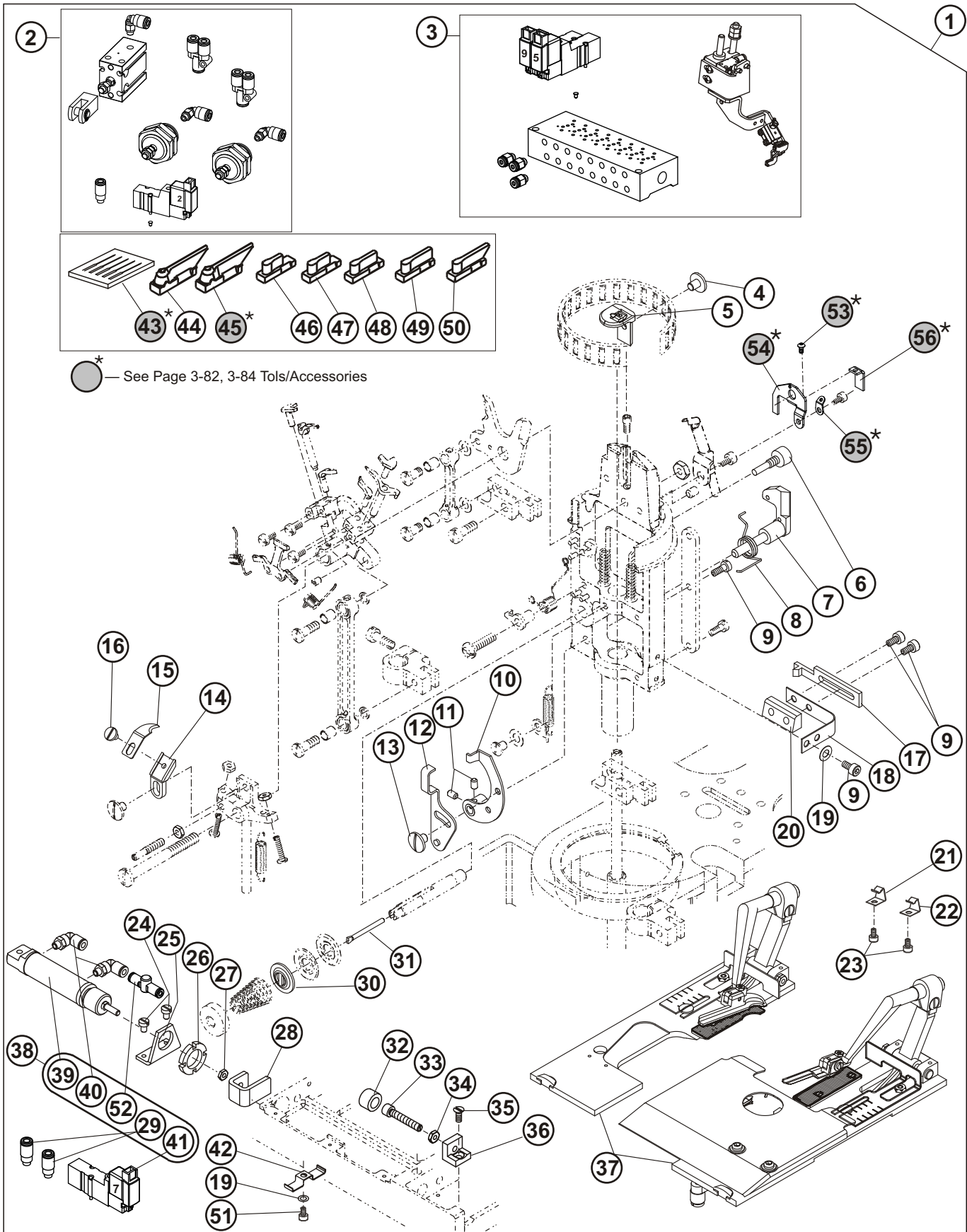
○* - Extra Part

VERSION CT/LTT — THREAD CLAMP

DET	PART NUMBER	DESCRIPTION	QTY.
01*	03.5519.4.013	Kit Thread Clamp	1
02	19.0082.3.454	Holder	(1)
03	19.0064.8.438	Blok	(1)
04	12.0008.3.631	Cylinder	(1)
05	08.6000.3.030	Screw M3-30	(2)
06	08.6700.3.000	Nut M3	(3)
07	08.6000.4.008	Screw M4-8	(2)
08	12.0008.3.761	Connector	(2)
09	12.2070.0.020	Bearing	(1)
10	19.0033.3.405	Stud	(1)
11	08.6850.3.000	Washer 3,2	(3)
12	19.0082.3.447	Bracket	(1)
13	08.6000.3.008	Screw M3-8	(1)
14	08.6000.3.010	Screw M3-10	(1)
15	19.0032.6.404	Stud	(1)
16	08.6000.4.014	Screw M4-14	(2)
17	08.6850.6.000	Washer 6,4	(1)
18	08.6700.6.000	Nut M6	(2)
19	19.0082.3.448	Bracket	(1)
20	08.6200.4.006	Screw M4-6	(2)
21	12.0008.3.630	Cylinder	(1)
22	08.6000.7.016	Screw M2,5-16	(2)
23	08.6702.7.000	Nut M2,5	(2)
24	12.0008.3.826	Connector	(1)
25	19.0002.0.463	Clamp left	(1)
26	08.6010.2.004	Screw M2-4	(2)
27	19.0094.2.420	Air tubing assy.-TC	(3)
28	08.6000.4.006	Screw M4-6	(2)
29	12.0008.3.783	Connector	(3)
30	12.0008.3.782	5/2 valve	(1)
31	12.0008.3.805	3/2 valve	(1)
32	12.0008.3.781	Plug	(1)
33	08.6850.4.000	Washer M4	(2)

* — Extra Part for CT

VERSION LTT



VERSION LTT

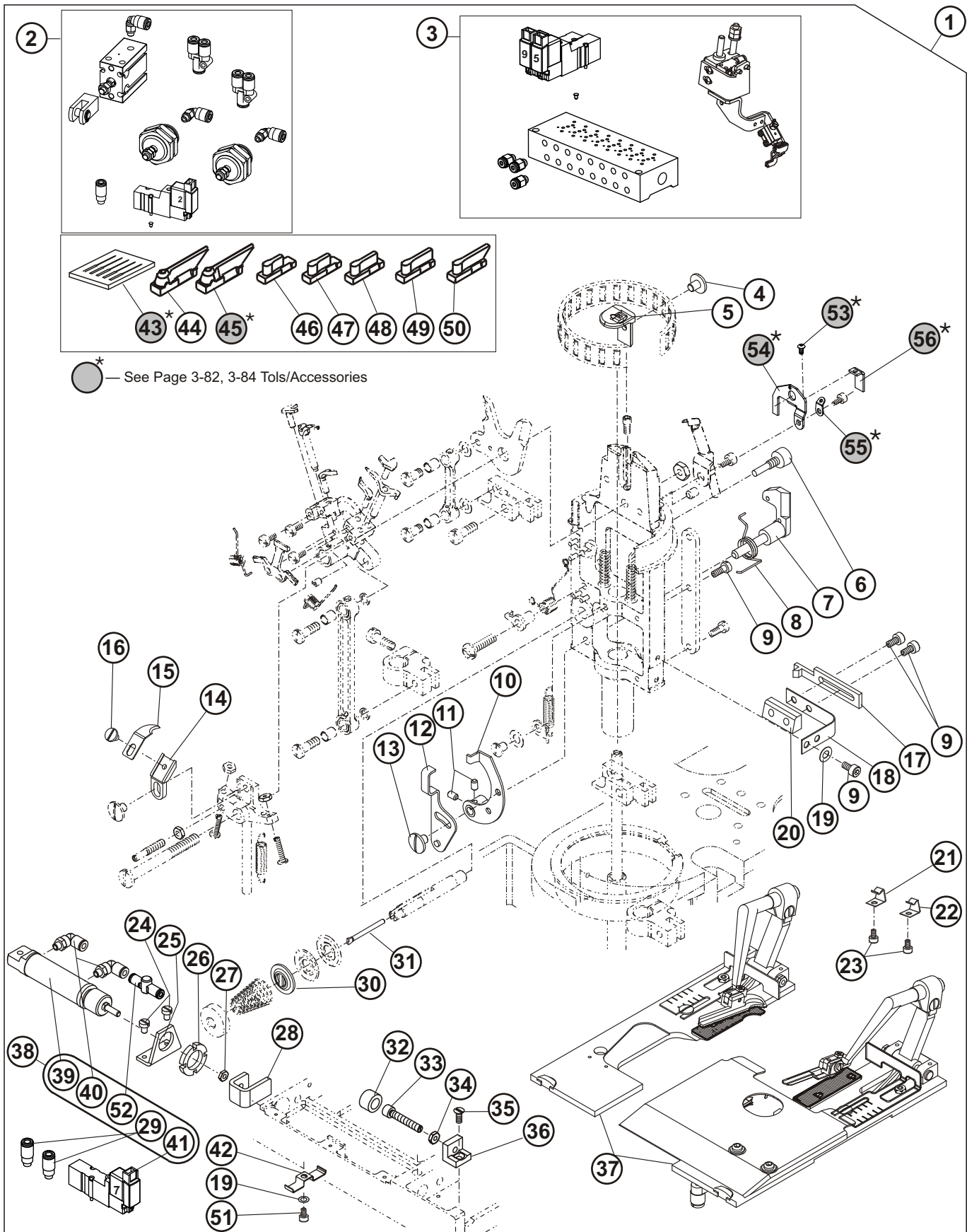
DET	PART NUMBER	DESCRIPTION	QTY.
01	03.5519.3.030	Kit S311 LTT	1
02	12.0008.3.543	Kit Pneu S311 AF	(1)
03	03.5519.4.013	Kit Thread Clamp	(1)
04	01.2056.1.000	Screw	(1)
05	10.4012.0.032	Throat Plate LTT	(1)
06	19.0013.0.001	Screw	(1)
07	19.0005.2.210	Lever	(1)
08	18.0026.4.403	Spring	(1)
09	08.6010.3.006	Screw	(3)
10	19.0005.2.219	Lever	(1)
11	08.6400.4.004	Screw	(2)
12	19.0082.2.526	Lever	(1)
13	17.0012.1.137	Screw	(1)
14	19.0082.3.410	Knife Holder	(1)
15	17.0087.0.204	Knife	(1)
16	17.0012.0.688	Screw	(1)
17	19.0062.5.405	Lever	(1)
18	18.0028.3.401	Spring	(1)
19	08.6850.3.000	Washer	(2)
20	18.0082.6.406	Block	(1)
21	19.0028.3.403	Spring Clip L.H.	(1)
22	19.0028.3.404	Spring Clip R.H.	(1)
23	19.0012.5.400	Screw M3-2,3	(2)
24	08.6012.4.006	Screw M4x6	(2)
25	19.0082.3.435	Holder	(1)
26	19.0016.3.408	Nut	(1)
27	08.6702.6.000	Nut M6	(1)
28	19.0082.3.434	Actuator	(1)
29	12.0010.3.089	Connector	((2))
30	17.0082.8.082	Release Washer	(1)
31	18.0031.0.481	Pin	(1)
32	19.0095.1.406	Rest	(1)
33	08.6000.5.060	Screw M5x60	(1)
34	08.6710.5.000	Nut	(1)
35	08.6100.4.010	Screw	(1)
36	19.0064.6.472	Stop	(1)
37	19.0003.1.655	Kit Clamps	(1)
38	12.0008.3.545	Kit Pneumatics S311 LTT	(1)
39	12.0008.3.622	Cylinder	((1))
40	12.0010.3.028	Connector	((2))
41	12.0008.3.782	Valve	((1))
42	19.0082.6.434	Holder Tube	(3)

*

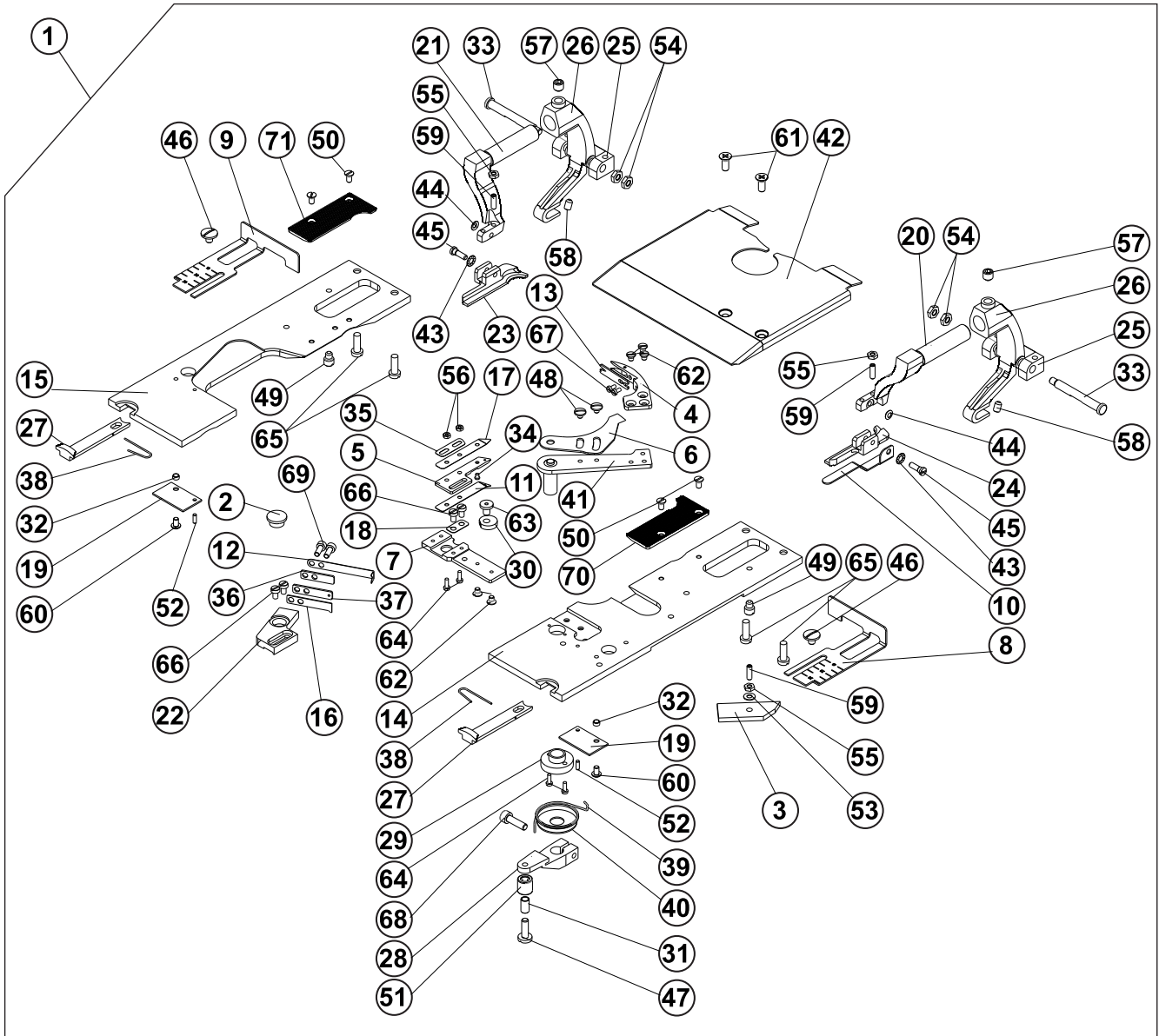
For LTT + I



VERSION LTT



VERSION LTT — CLAMPING

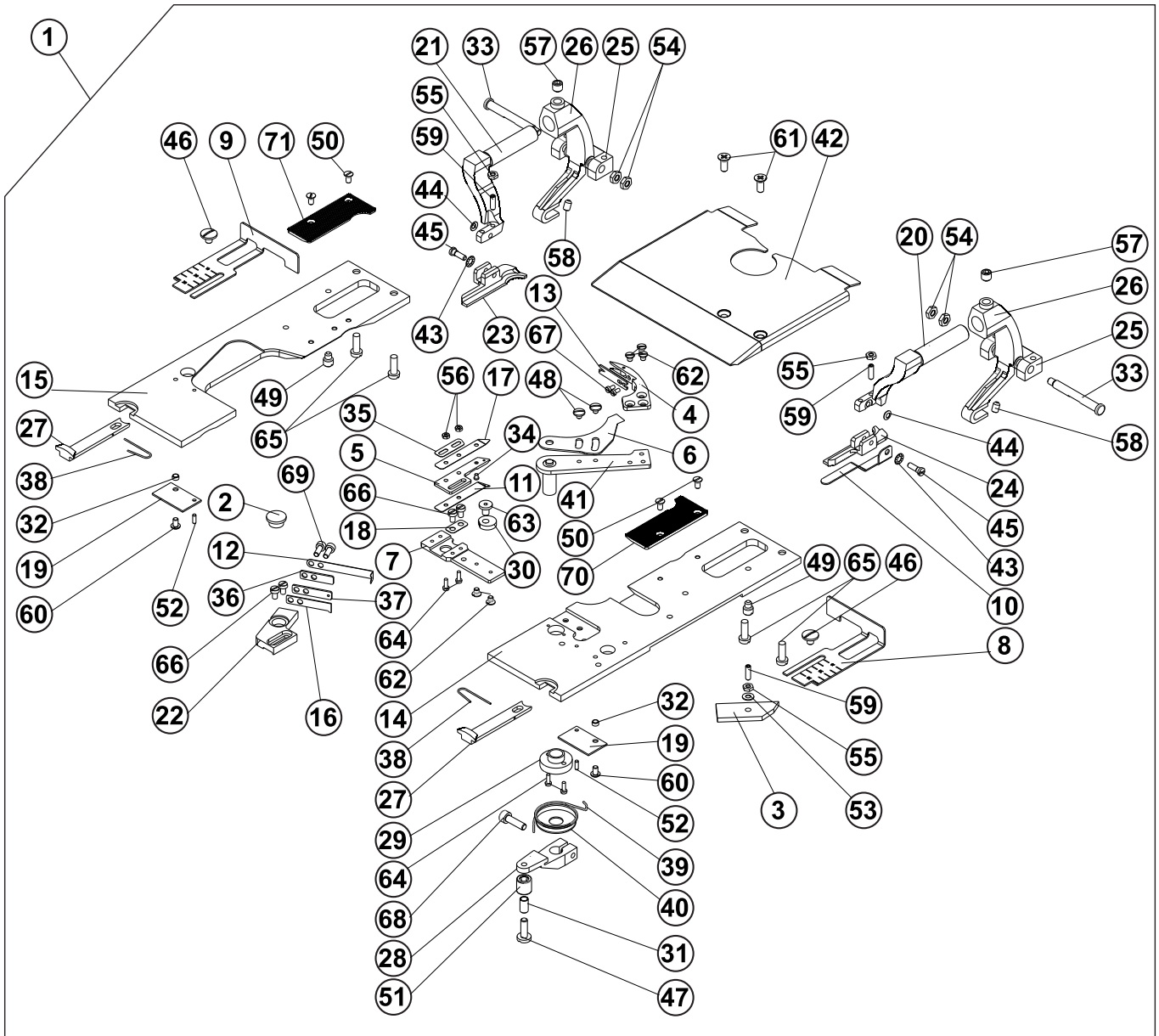


VERSION LTT — CLAMPING

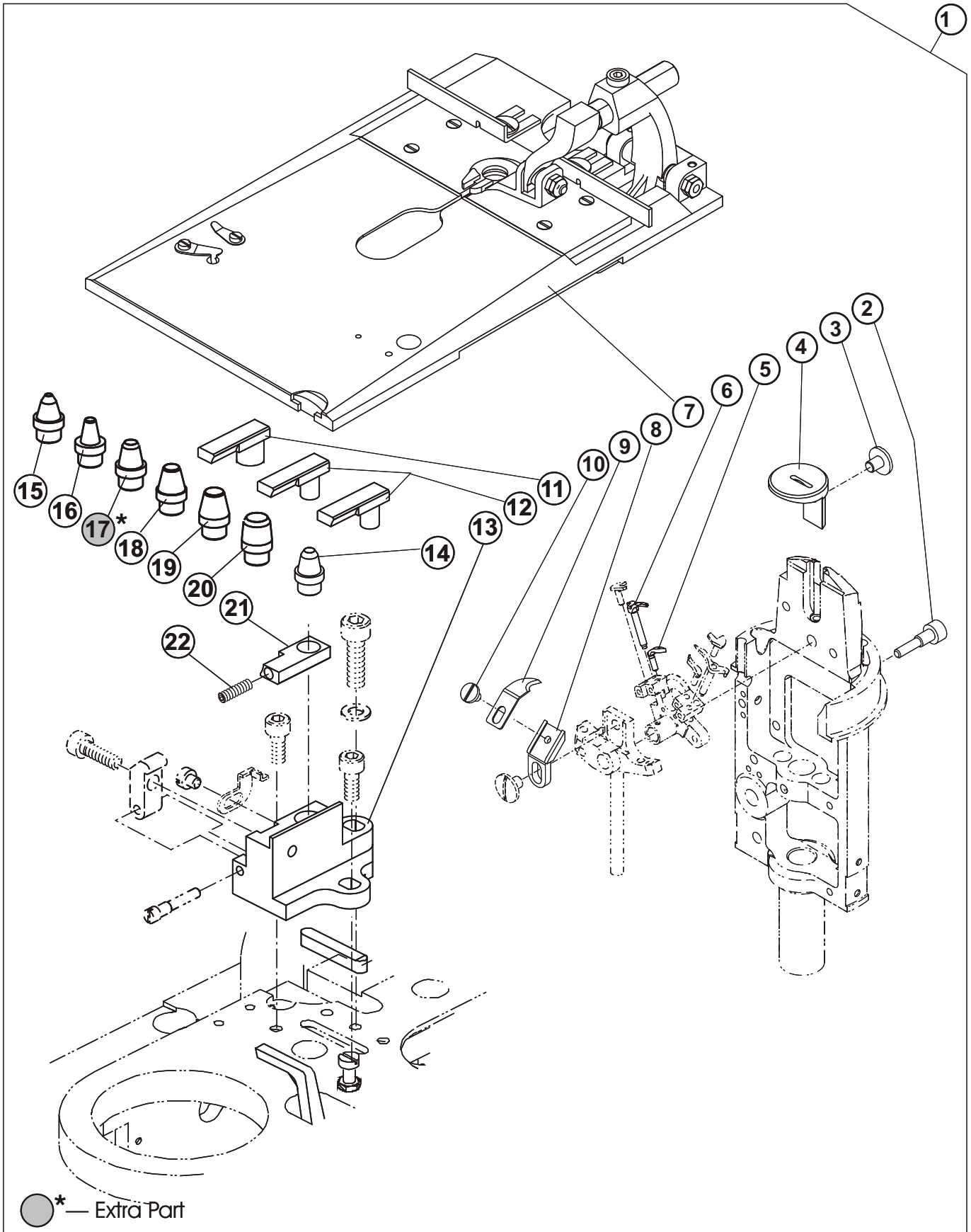
DET	PART NUMBER	DESCRIPTION	QTY.
01	19.0003.1.665	Kit — LTT	1
02	19.0094.1.401	Rubber	(1)
03	19.0094.0.410	Lower Thread Cutting Stopper	(1)
04	19.0087.0.424	Moving Knife	(1)
05	19.0082.6.432	Grasping Fixing Plate	(1)
06	19.0082.6.427	Lower Thread Opener	(1)
07	19.0082.6.426	Holder	(1)
08	19.0082.6.422	R.H. Cloth Gauge	(1)
09	19.0082.6.421	L.H. Cloth Gauge	(1)
10	19.0082.3.439	Holder Cloth	(1)
11	19.0082.3.438	Lower Thread Grasping	(1)
12	19.0082.3.437	Guide Plate	(1)
13	19.0082.1.405	Treating Plate	(1)
14	19.0081.6.448	Plate Right - LTT	(1)
15	19.0081.6.447	Plate Left- LTT	(1)
16	19.0081.5.453	Fixing Knife	(1)
17	19.0081.5.452	Gimp Grasping	(1)
18	19.0081.5.451	Lower Thread Grasp. Spacer	(1)
19	19.0081.5.449	Cover Plate	(2)
20	19.0066.8.406	Arm Clamp R.H. Small	(1)
21	19.0066.8.405	Arm Clamp L.H. Small	(1)
22	19.0066.8.402	Holder Knife	(1)
23	19.0066.7.423	Clamp Foot Left	(1)
24	19.0066.7.422	Clamp Foot Right	(1)
25	19.0064.7.402	Block	(2)
26	19.0063.5.418	Base Clamp Rde	(2)
27	19.0062.5.408	Pawl	(2)
28	19.0061.3.611	Lever	(1)
29	19.0042.5.409	Bushing	(1)
30	19.0041.6.403	Stop	(1)
31	19.0041.1.400	Bushing	(1)
32	19.0041.0.684	Ring Insert	(2)
33	19.0032.8.401	Shaft	(2)
34	19.0031.3.404	Pin	(1)
35	19.0028.3.407	Spring	(1)
36	19.0028.3.406	Spring Upper	(1)
37	19.0028.3.405	Spring Lower	(1)
38	19.0027.1.610	Spring	(2)
39	19.0026.4.402	Spring Return	(1)
40	19.0019.0.692	Washer	(1)
41	19.0005.2.215	Lever Ltt	(1)
42	19.0004.1.402	Cover Assy.	(1)
43	17.0019.5.040	Washer	(2)



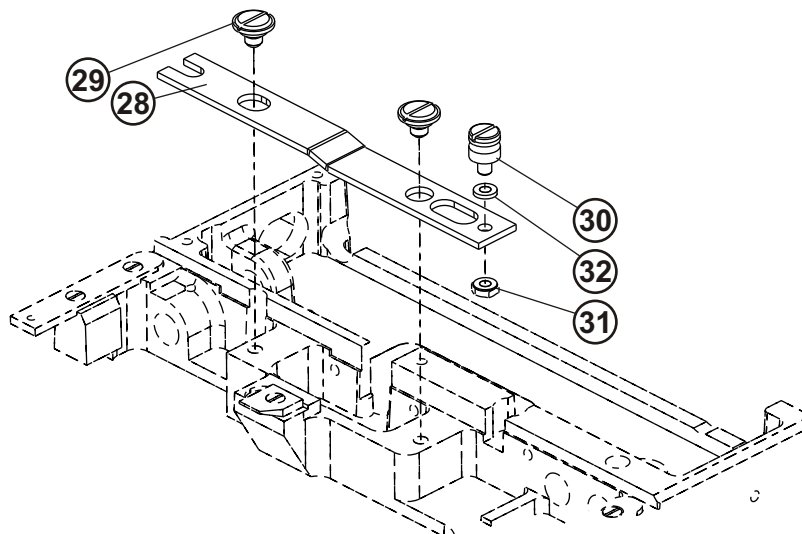
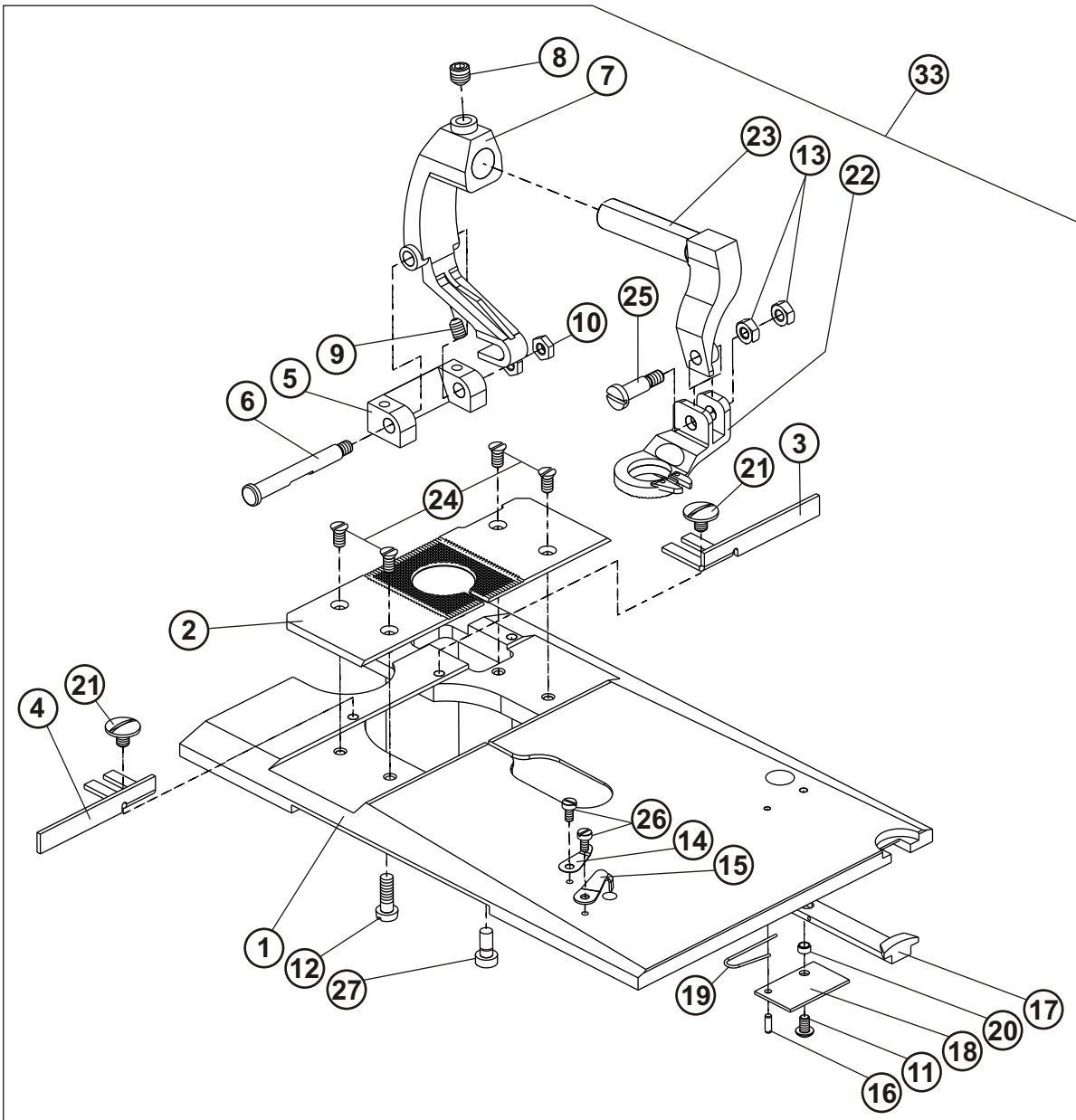
VERSION LTT — CLAMPING



VERSION RDE



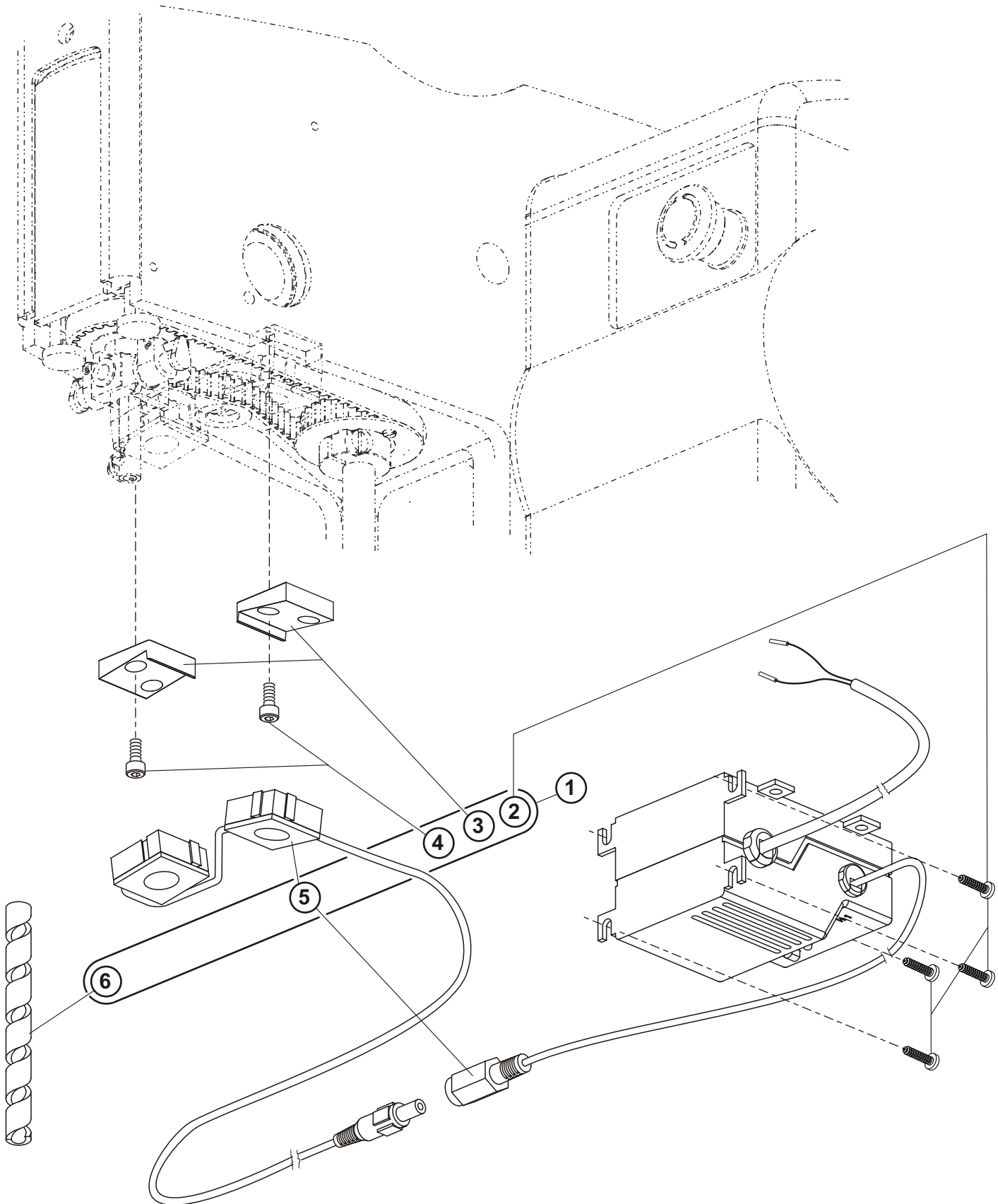
CLAMPING RDE



CLAMPING RDE

DET	PART NUMBER	DESCRIPTION	QTY.
01	19.0081.5.430	Plate RDE	(1)
02	10.2559.1.104	Clamp Mat	(1)
03	10.2566.0.000	R.H. Gauge	(1)
04	10.2567.0.000	L.H. Gauge	(1)
05	19.0064.7.402	Block	(1)
06	19.0032.8.401	Shaft	(1)
07	19.0063.5.418	Base Clamp RDE	(1)
08	08.6400.6.006	Screw M6x6	(1)
09	08.6400.4.006	Screw M4x6	(2)
10	08.6710.4.000	Nut M4	(4)
11	08.6200.3.005	Screw M3x5	(1)
12	08.6010.4.012	Screw M4x12	(1)
13	08.6700.4.000	Nut M4	(2)
14	17.0082.5.884	Clips	(1)
15	17.0087.0.169	Knife	(1)
16	12.1010.0.206	Pin 2x5	(1)
17	19.0062.5.408	Pawl	(2)
18	19.0081.5.449	Cover Plate	(1)
19	19.00271.610	Spring	(1)
20	19.0041.0.684	Ring Insert	(1)
21	17.0012.4.070	Screw M4	(1)
22	10.2552.3.006	Clamp Foot	(1)
23	19.0066.8.404	Arm Clamp	(1)
24	17.0012.6.400	Screw	(1)
25	17.0013.1.485	Screw	(1)
26	17.0012.0.303	Screw M2,5x5	(2)
27	19.0033.1.401	Stud	(1)
28	19.0081.0.519	Fork Lever	1
29	19.0013.1.487	Screw	2
30	17.0033.2.405	Screw Securing	1
31	19.0016.1.402	Nut M4	1
32	17.0019.0.228	Washer	1
33	19.0003.1.657	Clamps RDE Assembly	

LED LIGHT


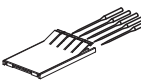



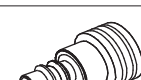
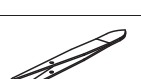





LED LIGHT

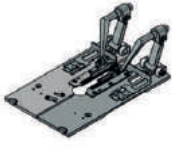
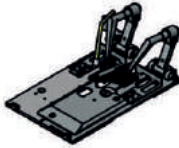
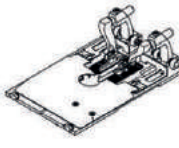
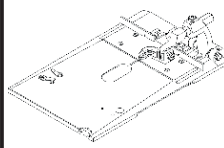

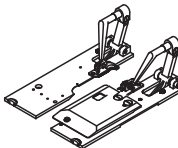
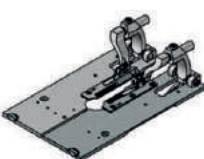
DET	PART NUMBER	DESCRIPTION	QTY.
01	03.5519.3.002	LED Light Assembly	1
02	08.6632.3.016	Screw	(4)
03	19.0064.8.443	Holder Leds Diodes	(1)
04	08.6000.4.005	Screw	(2)
05	19.0007.9.038	LED Light Kit	(1)
06	12.0008.4.141	Flexible Tubing	(1)

TOOLS/ACCESSORIES

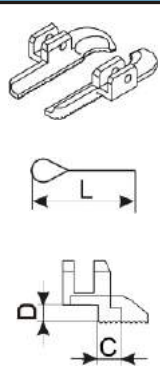

Standart accessories

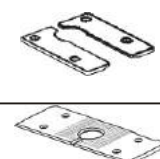

Examine	Part number	Description	Qty.	Examine	Part number	Description	Qty.
	12.0008.6.005	Screwdiver 5,5-180	1		02.0558.0.111 * AF, LTT and RDE models only	Needles 558 Nm 100	5
	12.0008.6.001	Screwdiver RECA	1		02.0558.0.112 ** all CT models only	Needles 558 Nm 110	5
	05.1322.0.000	Oil can	1		12.0008.3.608	Connector DIA 10	1
	12.0008.6.215	Tweezers	1		19.0081.6.412	Timing gauge	1
	17.0027.1.223	Thread wire	1		19.0064.7.420	Timing gauge	1





Special clamping

Clamping	AF	CT		LTT LTT/ACL	RDE
		14-24 mm	22-32 mm		
Part Number	19.0003.1.600	19.0003.1.691	19.0003.1.692	19.0003.1.665	19.0003.1.657
					
Clamping	AF/ACL	CT+I			
		14-24 mm	22-32 mm		
Part Number	19.0003.1.602	19.0003.1.693	19.0003.1.694		
					
Clamping	AF+I STJT				
Part Number	19.0003.1.601				
					

SPECIAL TOOLS/ACCESSORIES

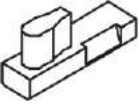
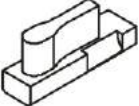
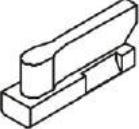
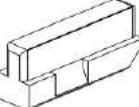
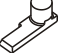
Clamp Foot	Part Number (left/right)	Length L(mm)	Width C(mm)	Height D(mm)	AF	CT			AF/ACL	LTT LTT/ACL	RDE
						14-24 mm	22-32 mm	14-32 mm			
	19.0066.7.424/425	24	1,4	5,6	○	○		○	○		
	19.0066.7.416/417	24	2,9	5,6	○	○		○	○		
	19.0066.7.412/413	28	1,4	5,6	○	✓		✓	○		
	18.0066.7.410/411	28	2,9	5,6	○	○		○	○		
	19.0066.7.428/429	32	1,4	5,5	○		○	○	○		
	19.0066.7.418/419	32	2,9	5,6	○		○	○	○		
	18.0066.7.404/405	32	5,8	5,5	○				○		
	19.0066.7.422/423	40	6,5	2,5						✓	
	19.0066.7.426/427	36	1,4	5,6	○		✓	●	○		
	19.0066.7.420/421	36	2,9	5,6	○		○	○	○		
	17.0066.7.157/158	40	6,5	2,5	✓				✓		
	19.0066.7.402/403	52	6,5	2,5	○						
	10.2552.3.010	16,5-18									✓
	10.2552.3.006	14-15,5									●

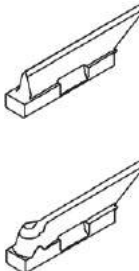
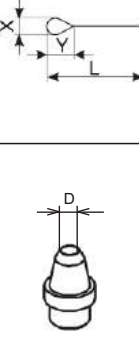
Work Mat	Part Number (left/right)	AF AF/ACL	CT		CT	LTT LTT/ACL	RDE
			14-24 mm	22-32 mm	14-32 mm		
	03.7050.1.001/002	✓					
	03.7050.0.021/022		✓		✓		
	03.7050.0.023/024			✓	●		
	03.7050.0.019/020					✓	
	10.2559.1.010						✓
	10.2559.1.104						●

Throat Plate	Part Number	Needle Size (Nm)	Max. Stitch Bite (mm)	Max. Gimp Size	AF AF/ACL	CT			LTT LTT/ACL	RDE
						14-24 mm	22-32 mm	14-32 mm		
	10.4012.1.001	90-110	3,2	30	✓					
	10.4012.0.002	90-110	3,8	30	○					
	10.4012.2.004	90-110	4,2	30	○					
	10.4012.2.014	100-120	3,8	30		○	○	○		
	10.4012.1.016	100-120	4,4	30		○	○	○		
	10.4012.0.030	90-110	3,8	30					○	
	10.4012.0.032	90-110	3,2	30					✓	
	10.4012.2.019	90-110	5	N/A						✓
	10.4012.5.016	90-120	3,6	10	○	✓	✓	✓		

✓	FACTORY SET UP
●	STANDARD ACCESSORY
○	OPTIONAL ACCESSORY

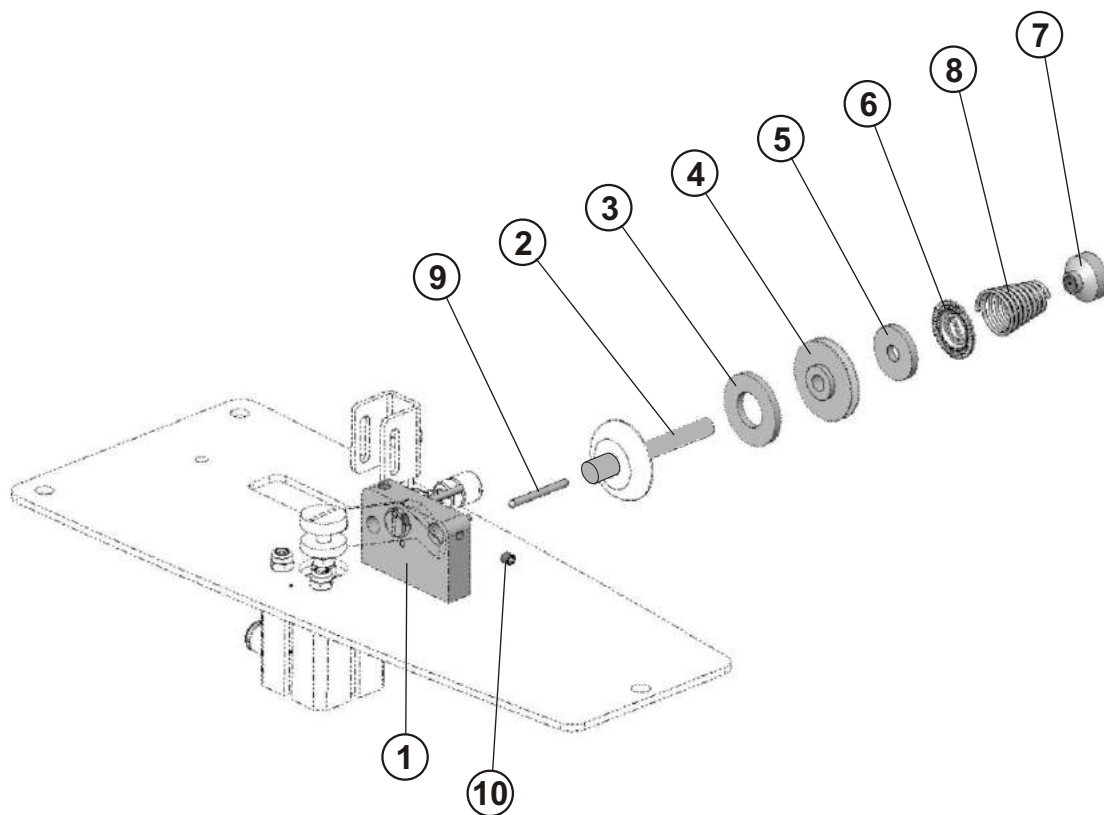
SPECIAL TOOLS/ACCESSORIES

Cutting Steel	Part Number	Length (mm)	AF	CT			LTT	AF/ACL	LTT/ACL	RDE
				14-24 mm	22-32 mm	14-32 mm				
	19.0064.5.846	10	○							
	19.0064.5.847	12	○							
	19.0064.5.951	13	○							
	19.0064.5.848	14	○							
	19.0064.5.849	16	●	✓		✓	●			
	19.0064.5.850	18	○	○		○	○			
	19.0064.5.952	19	✓	●		○	✓			
	19.0064.5.851	20	○	●		●	○			
	19.0064.5.852	22	●	○		○	●			
	19.0064.5.853	24	○	●	●	●	○			
	19.0064.5.854	26	●	○	✓	○	●			
	19.0064.5.855	29	○		●	○	●			
	19.0064.5.856	32	●		●	●	○			
	19.0064.5.857	35	○		○	○				
	19.0064.5.858	38	○							
	19.0064.5.860	44	○							
	19.0064.5.862	50	○							
		19.0064.5.954	38					✓	✓	
19.0064.5.958		28					○	○		
19.0064.5.959		26					○	○		
19.0064.5.964		30					○	○		
	19.0064.5.973	5								✓
	19.0064.5.974	7								●

Cutting Knife	Part Number	Eye Shape (X;Y) mm	Max. Cutting Length (mm)	AF AF/ACL	CT			LTT LTT/ACL	RDE
					14-24 mm	22-32 mm	14-32 mm		
	19.0087.0.436	0,0x0,0	32	○	○	○	○	○	
	19.0087.0.438	2,8x4,2	32	○	○	○	○	○	
	19.0087.0.437	3,0x4,6	32	○	○	○	○	○	
	17.0064.5.863	0,0x0,0	38	●	○	○	○	○	
	19.0087.0.431	2,2x3,0	38	○	○	○	○	○	
	19.0087.0.432	2,8x4,2	38	●	●	●	●	●	
	19.0087.0.433	3,0x4,6	38	○	○	○	○	○	
	19.0087.0.434	3,2x5,0	38	✓	✓	✓	✓	✓	
	19.0087.0.439	3,4x4,2	38	●	○	○	○	●	
	19.0087.0.400	0,0x0,0	50	○					
	19.0087.0.401	2,2x3,0	50	○					
	19.0087.0.402	2,8x4,2	50	○					
	19.0087.0.403	3,0x4,6	50	○					
	19.0087.0.404	3,2x5,0	50	○					
	19.0087.0.442	3,2x5,0	26	○				○	
	19.0087.0.443	3,2x5,0	30	○				○	
	17.0042.6.087	D1,5							○
	17.0042.6.088	D2							●
	17.0042.6.089	D2,5							○
	17.0042.6.090	D3							●
	17.0042.6.086	D3,5							✓
	17.0042.6.082	D4							○
	17.0042.6.083	D5							●
	17.0042.6.084	D6							●
17.0042.6.085	D7							●	

✓	FACTORY SET UP
●	STANDARD ACCESSORY
○	OPTIONAL ACCESSORY

THREAD TENSION





MODEL S-311+ACL

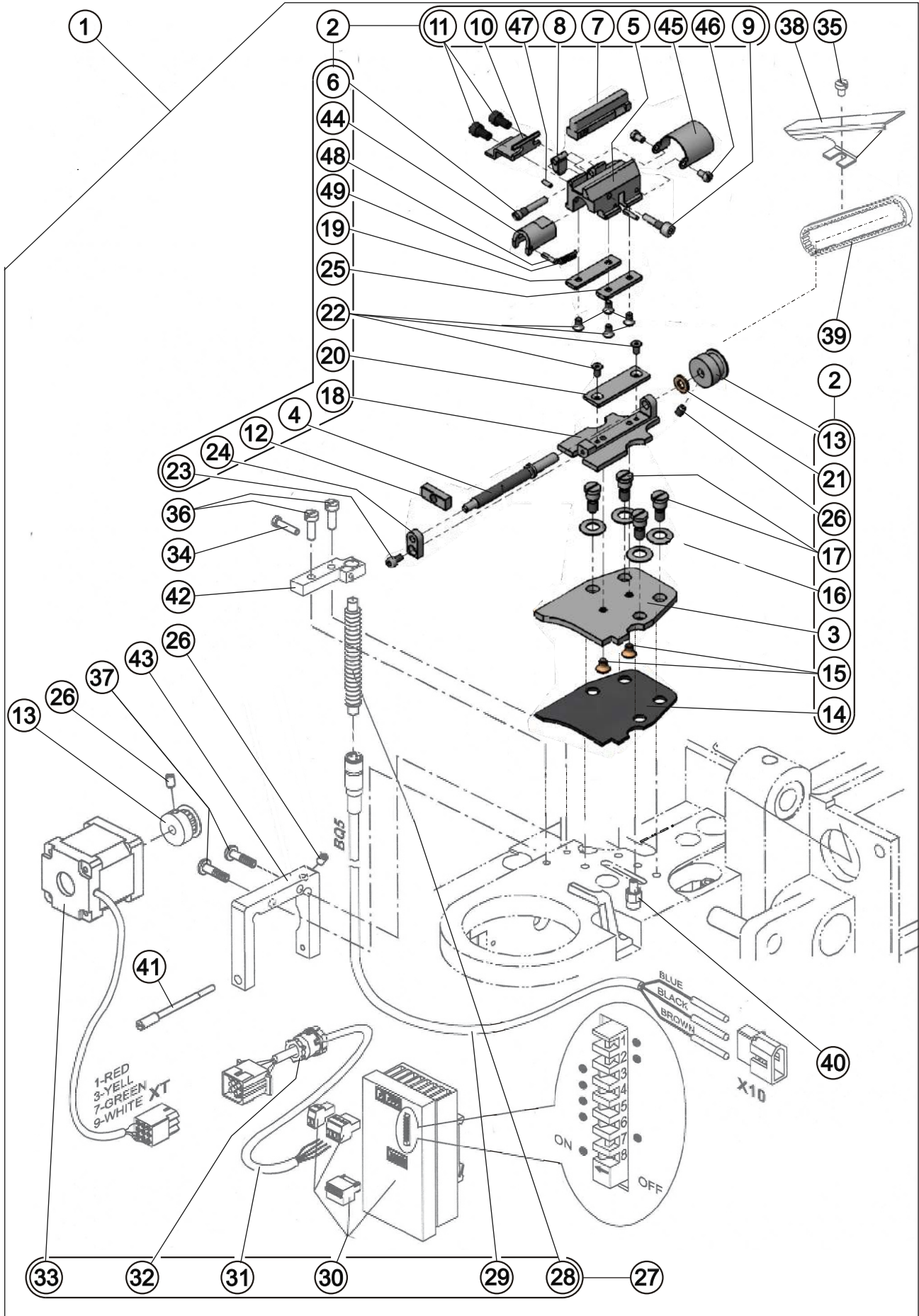
**ELECTRONIC EYELET BUTTONHOLE
MACHINE**

ACL PARTS

MACHINE SERIAL No:

PART NUMBER 97.1930.0.002

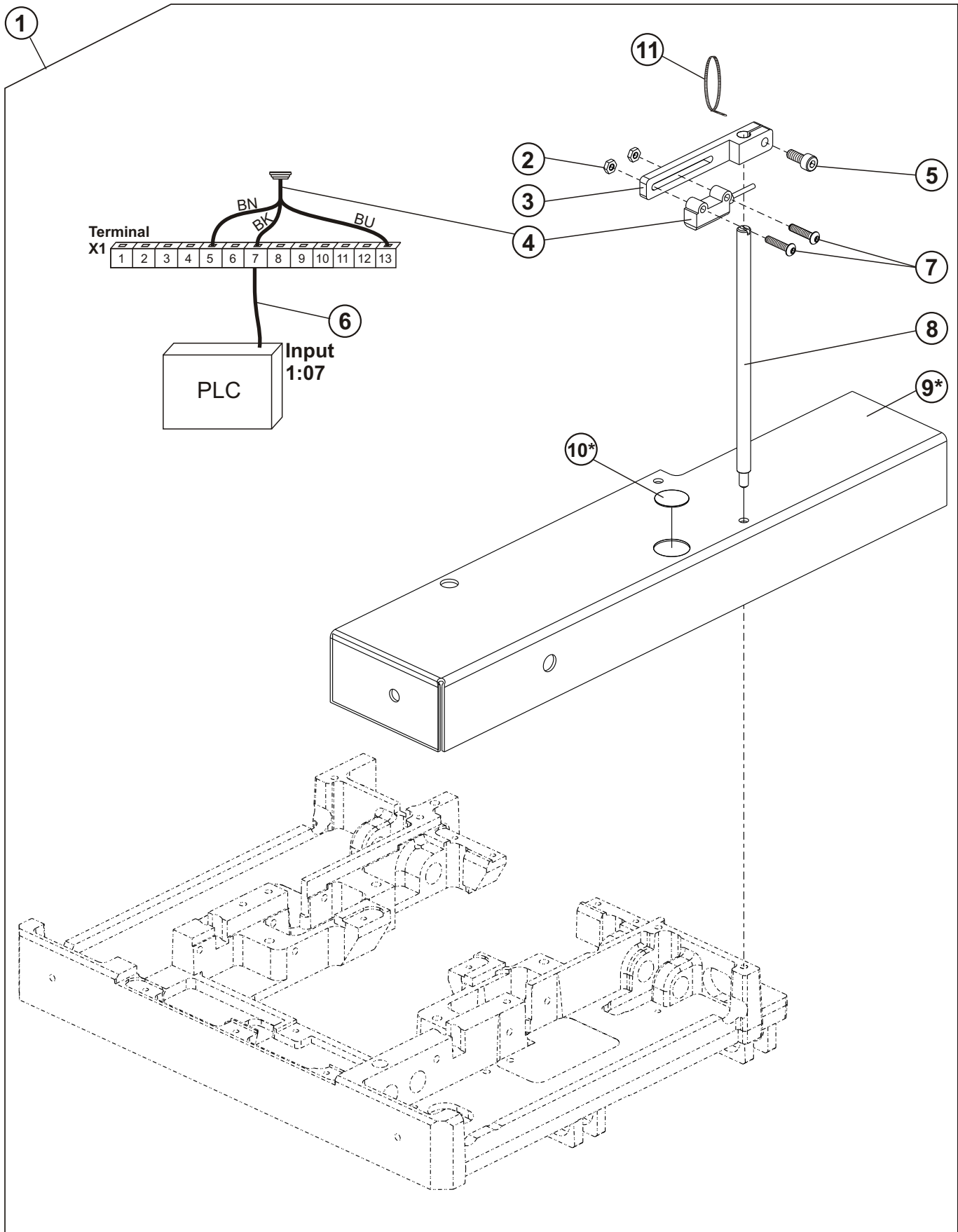
VERSION ACL



VERSION ACL

DET	PART NUMBER	DESCRIPTION	QTY.
01	03.5519.4.011	Kit — ACL	1
02	19.0009.2.001	ACL Subassembly	1
03	19.0081.4.449	Plate, Cutting Steel	(1)
04	19.0033.3.408	Shaft	(1)
05	19.0062.2.410	Holder	(1)
06	17.0013.1.415	Screw	(1)
07	19.0064.5.958	Cutting Steel	(1)
08	19.0063.6.447	Clamp	(1)
09	19.0011.2.404	Screw M4-16	(1)
10	19.0082.3.455	Diaphragm ACL S311	(1)
11	08.6000.4.008	Screw	(2)
12	19.0016.3.410	Nut	(1)
13	19.0055.4.418	Timing Belt Pulley	1+(1)
14	19.0095.2.408	Rubber Washer	(1)
15	08.6100.4.006	Screw	(2)
16	12.3015.7.016	Washer	(4)
17	19.0033.2.403	Stud	(4)
18	19.0074.4.544	Guide	(1)
19	19.0081.4.453	Guide Plate Left	(1)
20	19.0081.4.450	Shim	(1)
21	08.6887.5.000	Washer	(1)
22	08.6100.3.006	Screw	(6)
23	08.6000.3.006	Screw	(1)
24	19.0064.7.435	Holder Rear	(1)
25	19.0081.4.454	Guide Plate Right	(1)
26	08.6400.4.006	Screw	2+(1)
27	06.1900.0.010	Kit Electro	1
28	12.1010.4.025	Sensor	(1)
29	19.0007.9.035	Cable Sensor Assembly	(1)
30	12.0008.4.898	Driver	(1)
31	19.0007.9.011	Guide St. Motor (T)	(1)
32	12.0008.4.231	Bushing	(1)
33	08.1900.0.017	Stepping Motor	(1)
34	08.6000.3.014	Screw	1
35	08.6010.4.006	Screw	1
36	08.6010.4.012	Screw	2
37	08.6200.4.016	Screw	2
38	19.0083.1.686	Cover	3
39	12.5050.2.012	Timing Belt	1
40	17.0016.1.298	Nut	1
41	19.0013.1.496	Screw	1
42	19.0064.8.446	Holder Sensor	1
43	19.0064.8.449	Holder Motor	1
44	19.0074.6.218	Cover	(1)
45	19.0083.4.001	Cover	(1)
46	08.6010.3.006	Screw M3-6	(2)
47	12.1010.0.206	Pin 2-6	(1)
48	12.1015.0.002	Pin 2-10	2
49	01.5041.0.000	Spring - Extension	1

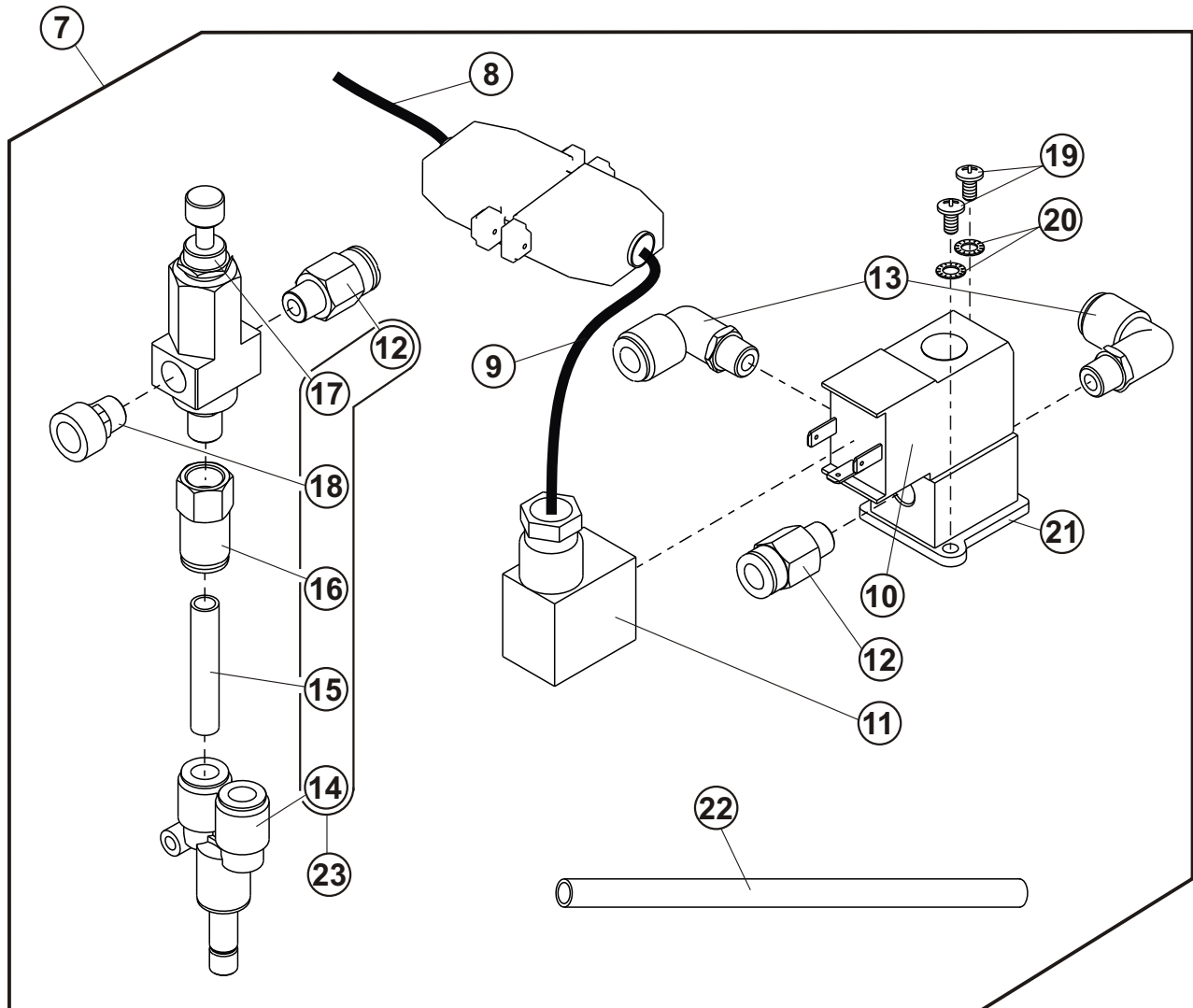
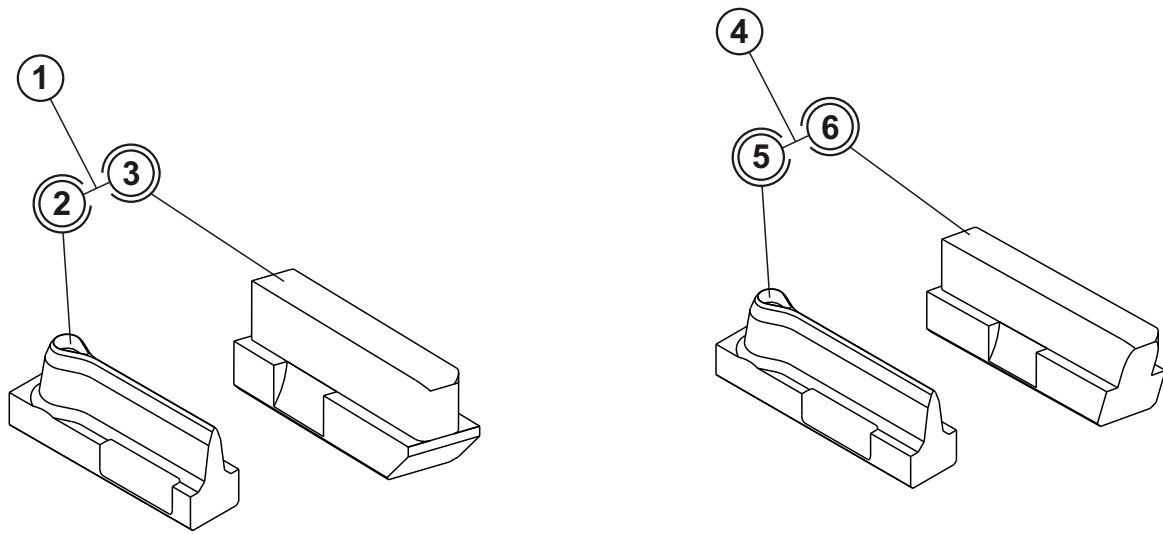
OPTICAL SENSOR



OPTICAL SENSOR

DET	PART NUMBER	DESCRIPTION	QTY.
01	03.5519.3.004	Kit-311 ACL/LAP. Sensor	1
02	08.6710.3.000	Nut	1
03	19.0061.3.613	Bracket	1
04	06.1900.0.009	Optical Sensor	1
05	08.6000.4.010	Screw	1
06	06.1900.0.012	Cable	1
07	08.6200.3.006	Screw	1
08	19.0011.1.403	Holder	1
09	19.0083.1.668	Cover Plate	1
10	19.0095.2.407	Reflex Tape	1
11	12.0008.4.290	Ty Wrap	2

EXTRA PARTS



EXTRA PARTS

DET	PART NUMBER	DESCRIPTION	QTY.
01	03.5519.4.040	Kit LP1	1
02	19.0087.0.442	Knife	(1)
03	19.0064.5.959	Cutting Steel	(1)
04	03.5519.4.041	Kit LP2	1
05	19.0087.0.443	Knife	(1)
06	19.0064.5.964	Cutting Steel	(1)
07	03.5519.4.042	Kit LPE	1
08	06.1900.0.015	Cable (elektobox)	(1)
09	06.1900.0.016	Cable	(1)
10	12.0008.3.786	3/2 Valve	(1)
11	12.0008.3.787	Connector	(1)
12	12.0010.3.141	Connector	(2)
13	12.0010.3.106	Connector	(2)
14	12.0010.3.150	Connector	(1)
15	12.0008.3.487	Connector	(1)
16	12.0010.3.149	Connector	(1)
17	12.0008.3.615	Regulator	(1)
18	12.0008.3.785	Manometr	(1)
19	08.6032.4.008	Screw	(2)
20	08.6832.4.000	Washer	(2)
21	12.0008.3.801	Plate	(1)
22	12.0008.3.431	Air Tubing	1
23	12.0008.3.546	Kit Pneu S-311 LPE LTT-EYE	(1)



MODEL S-311+I

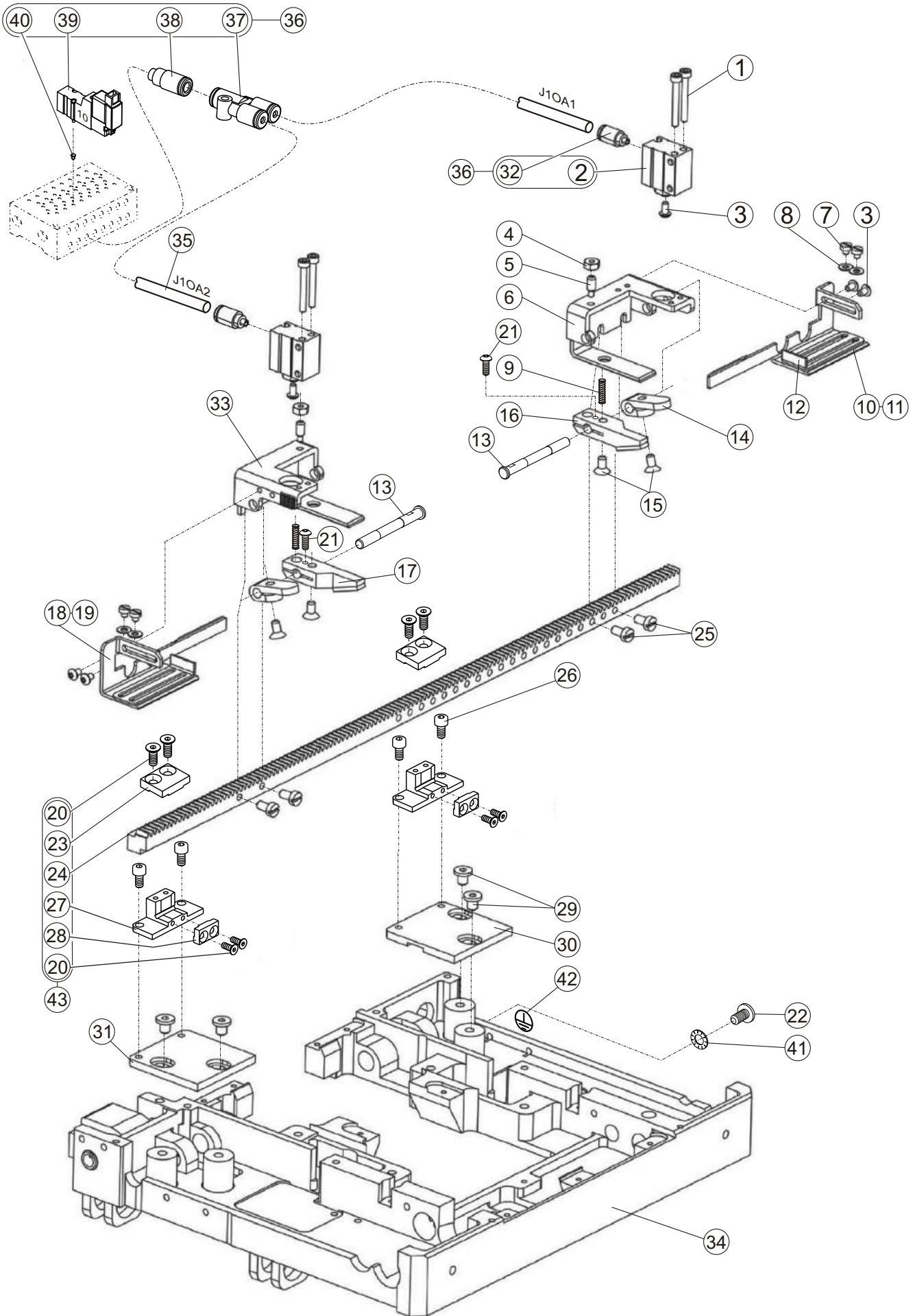
**ELECTRONIC EYELET BUTTONHOLE
MACHINE**

INDEXER PARTS

MACHINE SERIAL No:

PART NUMBER 97.1930.0.002

BASE AND CLAMP

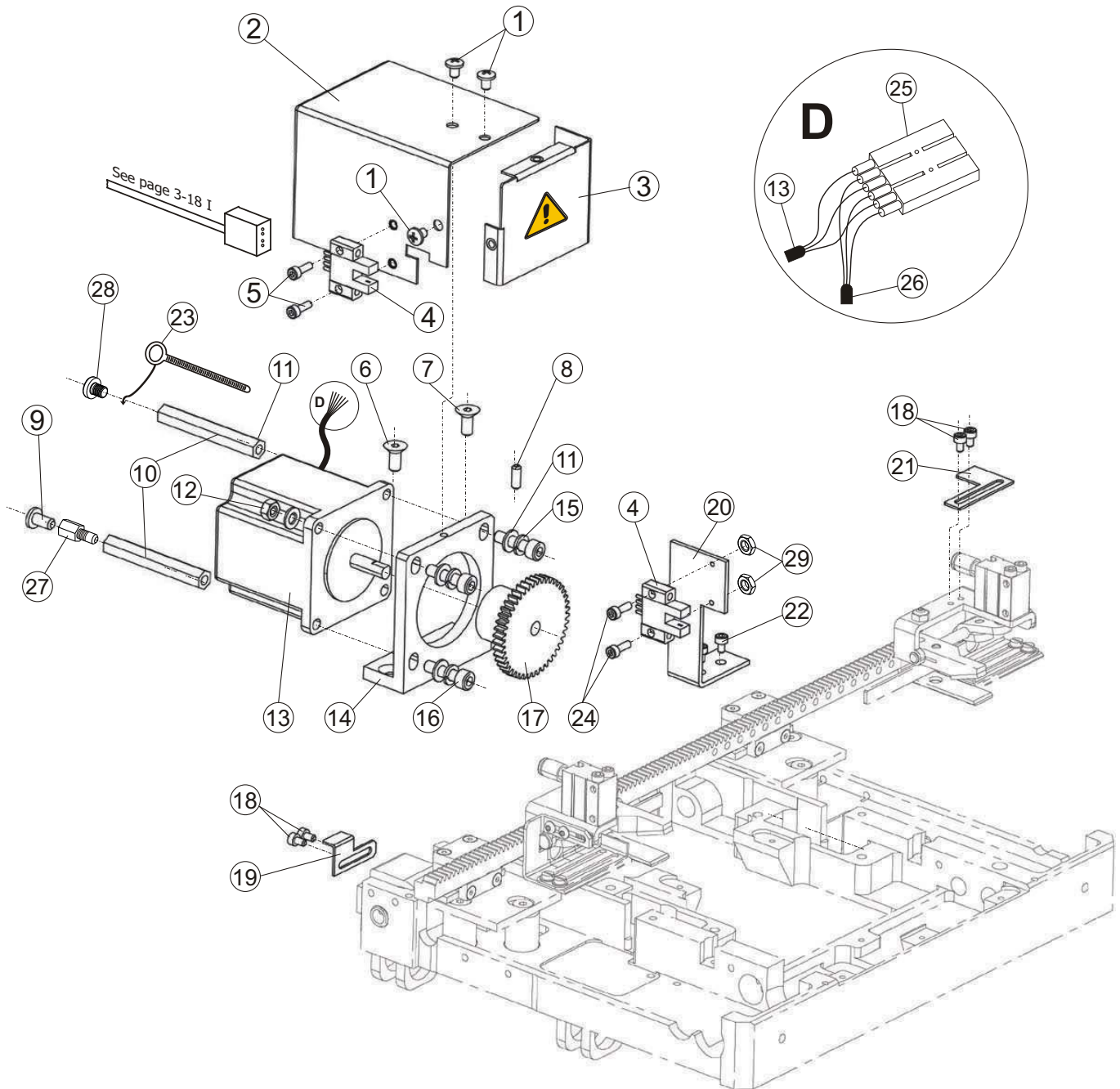


BASE AND CLAMP

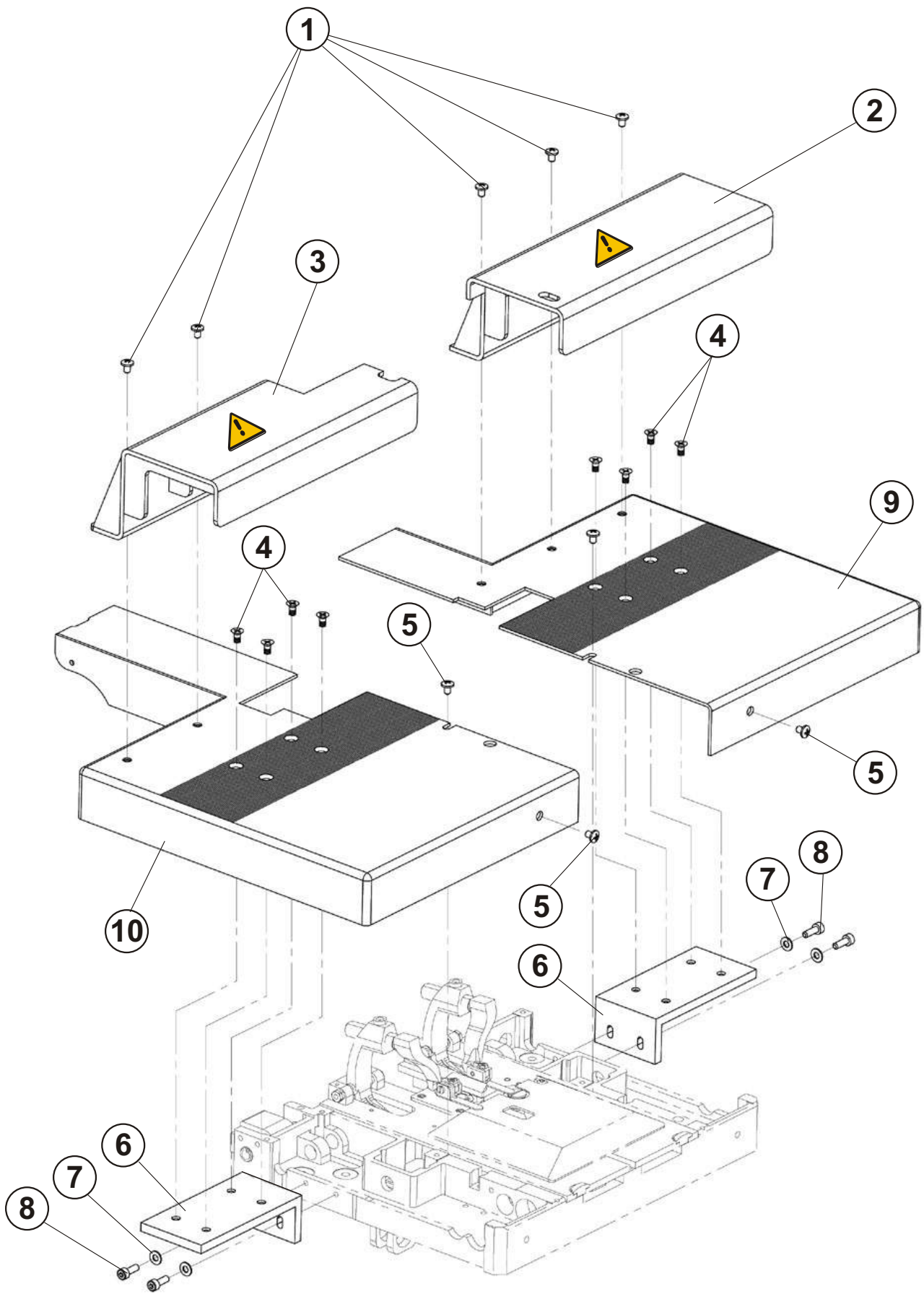
DET	PART NUMBER	DESCRIPTION	QTY.
01	08.6000.3.025	Screw	4
02	12.0008.3.729	Cylinder	2
03	08.6200.3.005	Screw	6
04	08.6700.4.000	Nut	2
05	19.0011.2.403	Spring Screw	2
06	19.0005.0.022	Cylinder Bracket Right	1
07	08.6012.3.003	Screw	4
08	08.6852.3.000	Washer	4
09	17.0026.1.084	Spring	2
10	19.0082.6.450	Front Gauge-Right(Jacket)	1
11	19.0082.6.442	Front Gauge-Right(Jeans)	1
12	19.0082.6.448	Gauge	2
13	19.0032.0.403	Stud	2
14	19.0064.6.508	Lever	2
15	08.6100.4.008	Screw	4
16	19.0064.6.506	Clamp Foot Right	1
17	19.0064.6.507	Clamp Foot Left	1
18	19.0082.6.451	Front Gauge-Left(Jacket)	1
19	19.0008.6.443	Front Gauge-Left(Jeans)	1
20	08.6100.3.008	Screw	(8)
21	08.6200.3.008	Screw	2
22	08.6032.4.008	Screw	1
23	19.0064.6.514	Carriage Cover-Upper	(2)
24	19.0064.7.429	Clamp Rack	(1)
25	08.6010.4.008	Screw	4
26	08.6000.4.008	Screw	4
27	19.0064.6.511	Carriage Base	(2)
28	19.0064.6.516	Carriage Cover-Lower	(2)
29	08.6050.5.006	Screw	4
30	19.0082.6.445	Left Bracket	1
31	19.0082.6.446	Right Bracket	1
32	12.0010.3.147	Connector	(2)
33	19.0005.0.021	Cylinder Bracket Left	1
34	19.0071.4.208	Bedplate	1
35	19.0094.2.422	Air Tubing	1
36	12.0008.3.548	Pneumatics Kit	1
37	12.0010.3.148	Connector	(1)
38	12.0010.3.089	Connector	(1)
39	12.0008.3.780	Valve	(1)
40	12.0010.3.146	Plug	(1)
41	08.6832.4.000	M4 Washer	1
42	12.0008.4.052	Label "Ground"	1
43	19.0002.9.009	Carriage Assy	1

* — Extra Part

POWER



COVERS

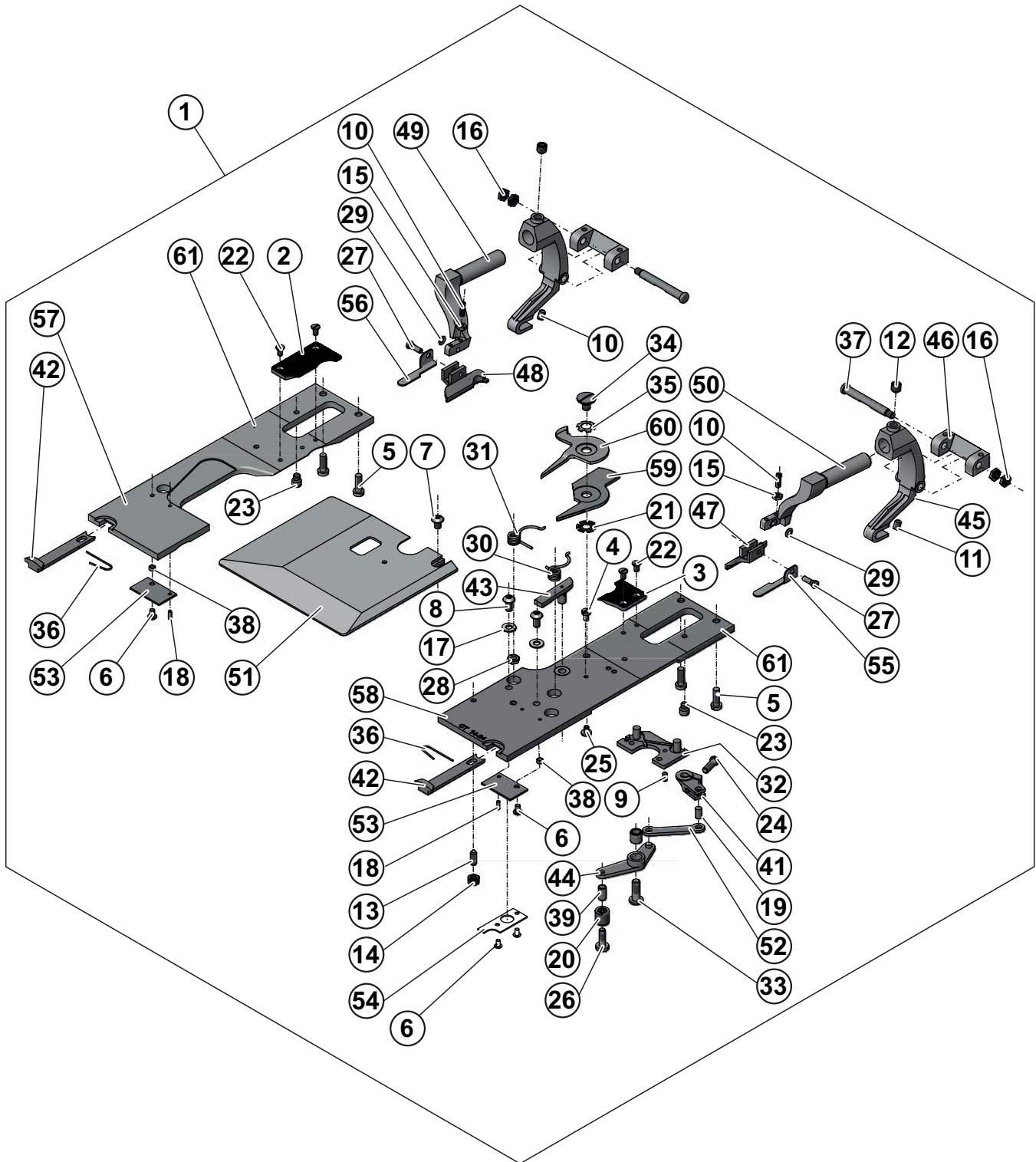


COVERS

DET	PART NUMBER	DESCRIPTION	QTY.
01	08.6032.4.008	Screw	5
02	19.0095.4.402	Plastic Guard Cover-Right	1
03	19.0095.4.401	Plastic Guard Cover-Left	1
04	08.6132.4.010	Screw	8
05	08.6522.4.006	Screw	4
06	19.0074.4.541	Cover Support	2
07	08.6850.4.000	Washer	4
08	08.6000.4.012	Screw	4
09	19.0005.0.024	Plate Right	1
10	19.0005.0.023	Plate Left	1

* — Extra Part

CLAMPING - CT+I

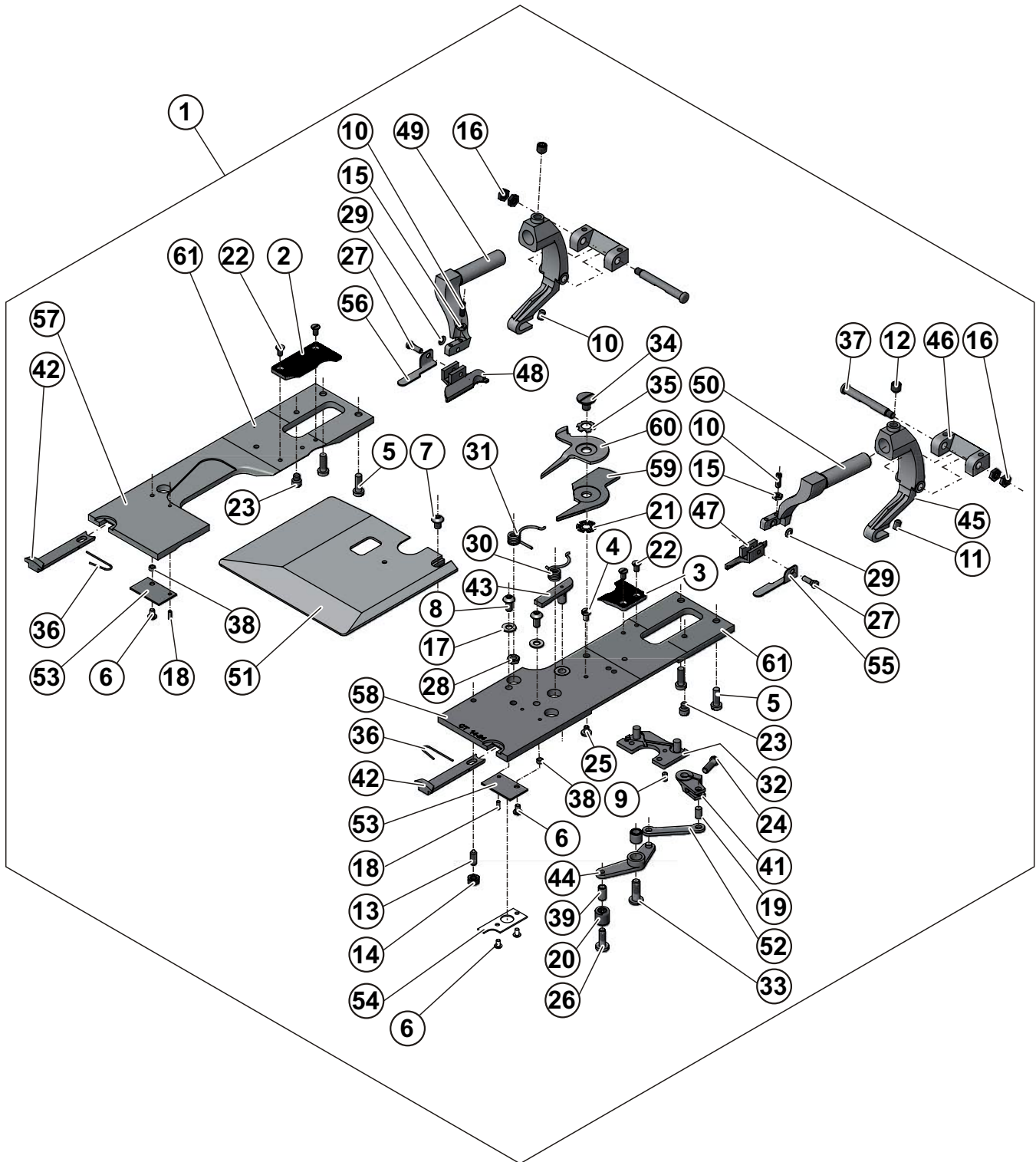


CLAMPING - CT+I

DET	PART NUMBER	DESCRIPTION	QTY.
01	19.0003.1.693	Modification (14 - 24)	1
	19.0003.1.694	Modification (22 - 32)	
02	See Table Below	Clamp Mat Left	
03	See Table Below	Clamp Mat Right	
04	08.6010.3.005	Screw M3-5	1
05	08.6010.4.012	Screw M4-12	4
06	See Table Below	Screw M3-5	
07	08.6200.4.006	Screw M4-6	1
08	08.6200.4.008	Screw M4-8	2
09	08.6400.3.006	Screw M3-6	1
10	08.6400.3.010	Screw M3-10	2
11	08.6400.4.006	Screw M4-6	2
12	08.6400.6.006	Screw M6-6	2
13	08.6490.4.009	Plunger M4-9	1
14	08.6700.4.000	Nut M4	1
15	08.6710.3.000	Nut M3	2
16	08.6710.4.000	Nut M4	4
17	08.6850.4.000	Washer M4	2
18	See Table Below	Pin	
19	12.1010.0.408	Pin	1
20	12.2050.1.005	Bearing	1
21	12.3013.0.002	Washer-Spring	1
22	15.1436.0.100	Screw	4
23	15.2023.0.300	Screw	2
24	17.0012.0.543	Screw M4-12	1
25	17.0012.0.605	Screw	1
26	17.0012.1.142	Screw	1
27	17.0013.5.067	Screw	2
28	17.0016.1.054	Nut	1
29	17.0019.2.066	Washer	2
30	17.0026.4.064	Spring	1
31	19.0026.4.405	Spring - Torsion	1
32	19.0005.2.220	Actuator Assembly	1
33	19.0012.1.404	Screw	1
34	19.0013.1.498	Pivot Screw	1
35	19.0019.6.402	Washer	1
36	19.0027.1.610	Spring	2
37	19.0032.8.401	Shaft	2
38	19.0041.0.684	Ring Insert	2
39	19.0041.1.400	Bushing	1
40	19.0044.1.626	Bushing	1
41	19.0061.3.605	Lever	1
42	19.0062.5.408	Pawl	2
43	19.0062.5.415	Actuator	1
44	See Table Below	Trimming Lever	
45	19.0063.5.418	Base Clamp	2
46	19.0064.7.402	Block	2



CLAMPING - CT+I



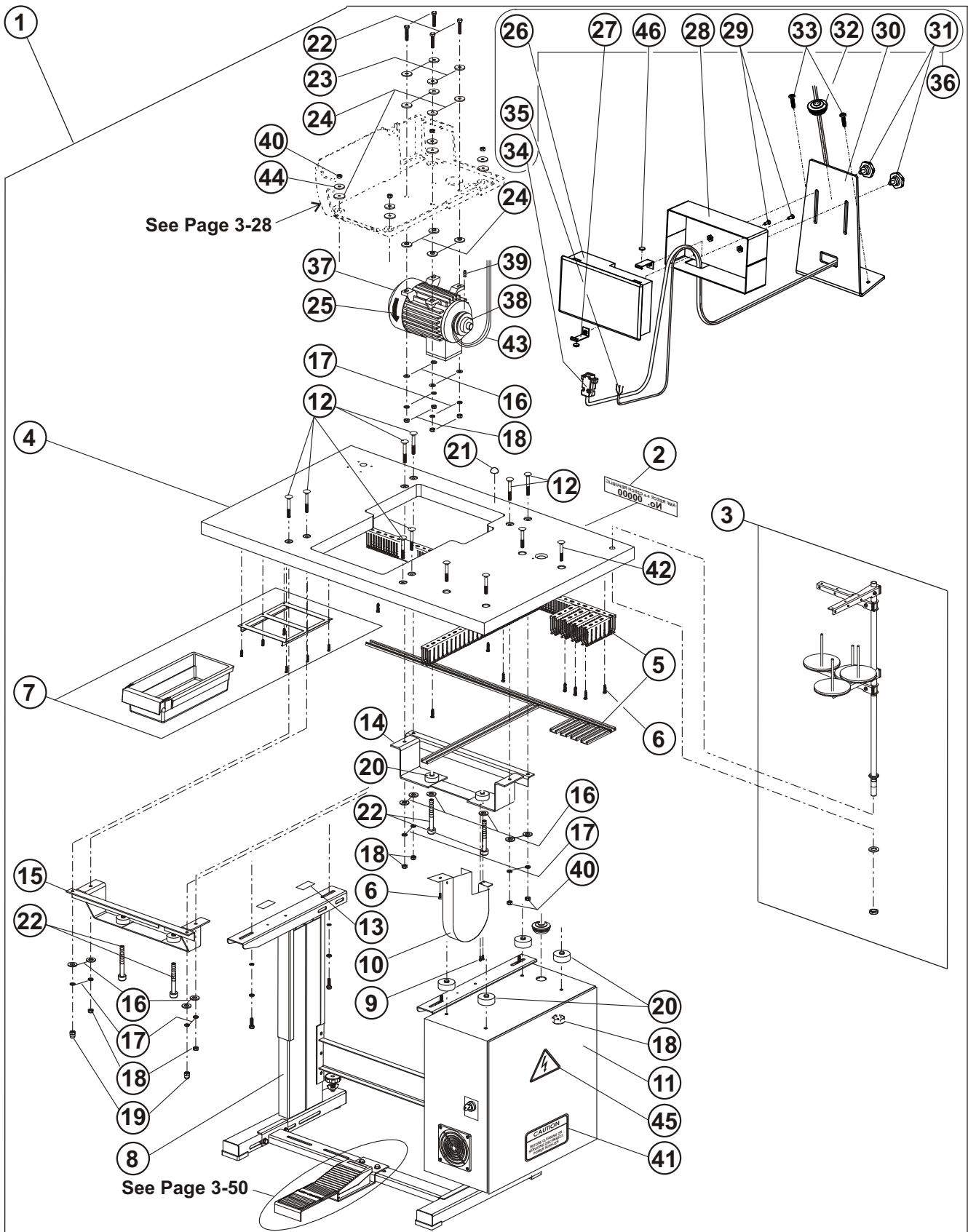
CLAMPING - CT+I



DET	PART NUMBER	DESCRIPTION	QTY.
47	See Table Below	Clamp Foot Right	
47	See Table Below	Clamp Foot Right	
48	See Table Below	Clamp Foot Left	
48	See Table Below	Clamp Foot Left	
49	19.0066.8.405	Arm Clamp Left	1
50	19.0066.8.406	Arm clamp Right	1
51	19.0074.6.221	Cover Plate	1
52	See Table Below	Lever	
53	See Table Below	Cover Plate	
54	See Table Below	Cover Plate	
55	19.0081.5.472	Holder Cloth Right	1
56	19.0081.5.473	Holder Cloth - Left	1
57	19.0081.6.447	Plate Left	1
58	See Table Below	Plate Right	
59	19.0087.0.446	Lower Shear-Cord Trim	1
60	19.0087.0.447	Upper Shear	1
61	12.0008.6.981	Teflon Tape	2

MODIFICATION KIT — BUTTONHOLE LENGTH						
DET	19.0003.1.693			19.0003.1.694		APPLICATION
	14—24		22—32			
	PART NUMBER	QTY.	PART NUMBER	QTY.		
2	03.7050.0.021	1	03.7050.0.023	1		
3	03.7050.0.022	1	03.7050.0.024	1		
6	08.6200.3.005	2	08.6200.3.005	3		
18	12.1010.0.206	2	12.1010.0.206	1		
44	19.0063.3.408	1	19.0063.3.407	1		
47	19.0066.7.412	1	19.0066.7.426	1	JEANS	
47	18.0066.7.410	1	19.0066.7.420	1	JACKET	
48	19.0066.7.413	1	19.0066.7.427	1	JEANS	
48	18.0066.7.411	1	19.0066.7.421	1	JACKET	
52	19.0081.0.514	1	19.0081.0.512	1		
53	19.0081.5.449	2	19.0081.5.449	1		
54	-	-	19.0081.5.441	1		
58	19.0081.6.483	1	19.0081.6.487	1		

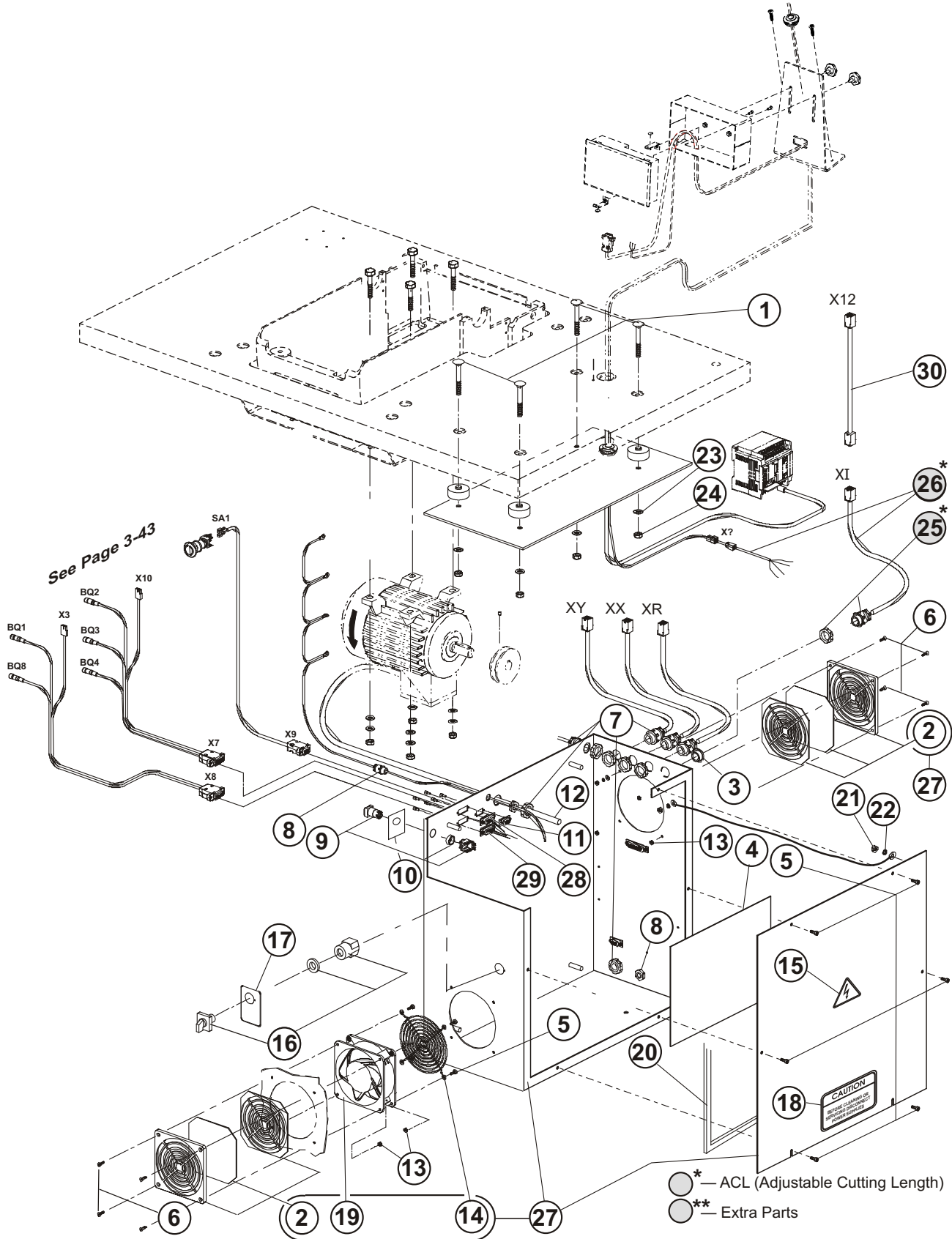
TABLE



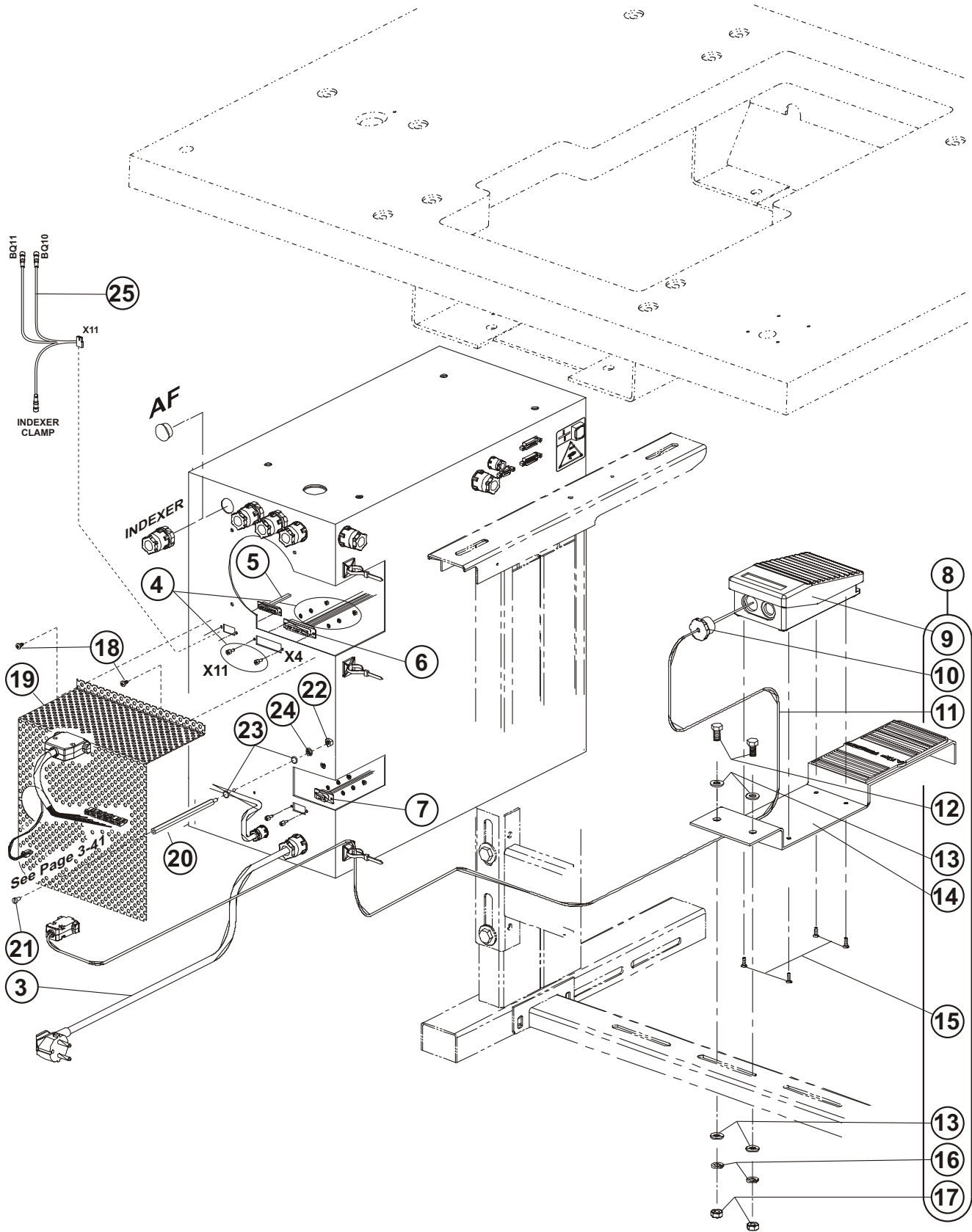
TABLE

DET	PART NUMBER	DESCRIPTION	QTY.
01	03.5519.1.091	Table Assembly	1
02	04.1416.0.003	Label "No. xxxxx" ...	1
03	17.0003.6.156	Thread Stand Assembly	1
04	04.9019.0.901	Table Top ...	1
05	19.0095.2.403	Latch for Cable Kit ...	1
06	08.6632.3.016	Screw	15
07	12.0008.6.901	Drawer Kit ...	1
08	04.9000.2.123	Frame Kit	1
09	08.6000.4.008	Screw	2
10	19.0005.0.028	Cover Pulley ...	1
11	19.0006.9.448	Electrical Box Assembly ☐	1
12	08.6532.8.050	Screw	8
13	17.0094.0.200	Washer	4
14	19.0005.0.016	Framework	1
15	19.0005.0.015	Framework	1
16	08.6852.8.000	Washer	12
17	08.6802.8.000	Spring Washer	12
18	08.6702.8.000	Nut	14
19	08.6722.8.000	Nut	2
20	19.0095.1.405	Rubber Washer	8
21	12.0008.6.915	Holder	1
22	08.6312.8.040	Screw	8
23	01.4750.0.000	Washer	4
24	17.0095.1.272	Rubber Washer	12
25	17.0097.5.182	Label	1
26	19.8001.0.009	Display	(1)
27	19.0005.0.032	Panel Holder	(2)
28	19.0005.0.031	Display Box	(1)
29	08.6100.4.012	Screw	(1)
30	19.0083.4.036	Display Box Holder	(1)
31	19.0014.7.003	Screw	(2)
32	12.0008.4.366	Bushing	(1)
33	08.6663.5.025	Screw	(2)
34	19.0007.9.045	Cable RS 232	(1)
35	19.0007.9.046	Cable Display Power	(1)
36	03.5519.3.003	Touch Screen Assembly	1
37	12.0008.4.757	Motor	1
38	19.0052.0.501	Puley	1
39	08.6400.6.006	Screw M6x6	1
40	08.6733.8.000	M8 Nut Lock	4
41	00.2751.3.602	Label	1
42	08.6532.8.070	Screw	4
43	12.5050.1.501	Belt	1
44	17.0019.0.441	Washer	4
45	17.0097.5.174	Label	1
46	24.4049.0.000	Washer	(2)

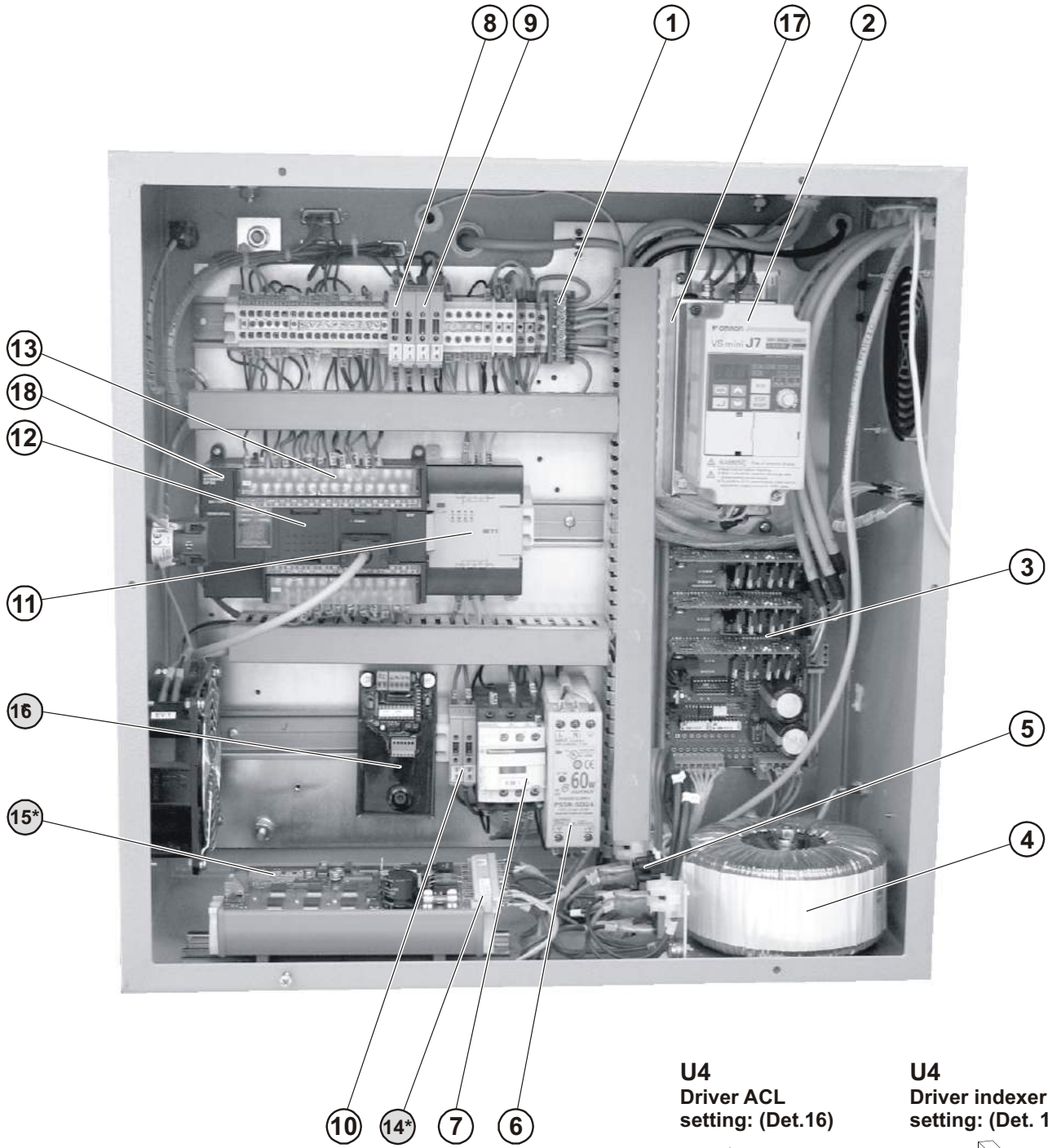
ELECTRONIC BOX - ELECTRONIC PARTS - I



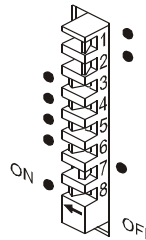
ELECTRONIC BOX - ELECTRONIC PARTS - II



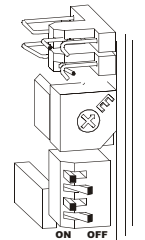
ELECTRONIC BOX - ELECTRONIC PARTS - III



U4
Driver ACL
setting: (Det.16)



U4
Driver indexer
setting: (Det. 15)



* Only indexer

** Only ACL

INDEX

PART NUMBER	PAGE	DET	QTY	PART NUMBER	PAGE	DET	QTY	PART NUMBER	PAGE	DET	QTY
00.2751.3.602	3-51	19	1	04.9019.0.901	3-47	04	1	08.6000.4.008	3-31	02	2
00.2751.3.602	3-15 i	41	1	04.9019.0.901	3-15 i	04	1	08.6000.4.008	3-37	08	2
00.2751.3.602	3-17 i	18	1	05.0043.1.000	3-13	24	1	08.6000.4.008	3-45	1	2
01.2056.1.000	3-57	09	1	05.0043.1.000	3-15	19	1	08.6000.4.008	3-47	09	2
01.2056.1.000	3-59	05	(1)	05.0043.1.000	3-27	36	1	08.6000.4.008	3-69	7	(2)
01.2056.1.000	3-71	04	(1)	05.1322.0.000	3-29	33	(1)	08.6000.4.008	3-3 i	26	4
01.2056.1.000	3-79	03	(1)	06.1900.0.003	3-5 i	13	1	08.6000.4.008	3-5 i	22	2
01.4750.0.000	3-47	23	8	06.1900.0.007	3-55	14*	1	08.6000.4.008	3-15 i	09	2
01.4750.0.000	3-15 i	23	4	06.1900.0.007	3-21 i	14*	1	08.6000.4.008	3-3 ACL	11	(2)
01.5002.0.000	3-15	22*	1	06.1900.0.009	3-5 ACL	4	1	08.6000.4.010	3-13	14	(2)
01.5003.0.000	3-11	09	2	06.1900.0.010	3-3 ACL	27	1	08.6000.4.010	3-15	05	2
01.5041.0.000	3-65	62	1	06.1900.0.012	3-5 ACL	6	1	08.6000.4.010	3-19	01	3+1
01.5041.0.000	3-3 ACL	49	1	06.1900.0.015	3-7 ACL	8	(1)	08.6000.4.010	3-27	27	2
01.5603.0.000	4-3	8	1	06.1900.0.016	3-7 ACL	9	(1)	08.6000.4.010	3-29	01	4
01.5603.0.000	4-2	8	1	06.8800.0.001	3-53	7	(1)	08.6000.4.010	3-31	19	2
02.0558.0.111	3-11	17	1	06.8800.0.001	3-19 i	09	(1)	08.6000.4.010	3-37	04	3
02.0558.0.111	3-73	43	(5)	07.0000.0.024	3-33	26	5	08.6000.4.010	3-39	20	2
02.0558.0.112	3-61	48*	6	07.6600.0.004	3-21	40	1	08.6000.4.010	3-5 ACL	5	1
03.5519.1.091	3-15 i	01	1	07.6600.0.006	3-21	42	1	08.6000.4.012	3-31	24	6
03.5519.2.091	3-47	01	1	07.6600.0.006	3-43	4	(1)	08.6000.4.012	3-7 i	8	4
03.5519.3.002	3-83	1	1	08.1900.0.017	3-3 ACL	33	(1)	08.6000.4.014	3-31	21	4
03.5519.3.003	3-47	38	1	08.6000.3.005	3-21	15	6	08.6000.4.014	3-37	10	1
03.5519.3.003	3-15 i	36	1	08.6000.3.005	3-27	10	4	08.6000.4.014	3-69	16	(2)
03.5519.3.004	3-5 ACL	1	1	08.6000.3.006	3-39	15*	4	08.6000.4.014	3-77	68	(1)
03.5519.3.030	3-71	01	1	08.6000.3.006	3-39	31	(2)	08.6000.4.016	3-29	21	(1)
03.5519.3.050	3-79	01	1	08.6000.3.006	3-73	51	1	08.6000.4.016	3-39	10	5
03.5519.4.009	3-67	1	1	08.6000.3.006	3-3 ACL	23	(1)	08.6000.4.020	3-9	04	1
03.5519.4.011	3-3 ACL	01	1	08.6000.3.008	3-17	31	2	08.6000.4.020	3-15	11	1
03.5519.4.013	3-69	01*	1	08.6000.3.008	3-39	37**	1	08.6000.4.020	3-27	05	1
03.5519.4.013	3-71	03	(1)	08.6000.3.008	3-45	19	4	08.6000.4.025	3-15	25**	1
03.5519.4.022	3-59	01	1	08.6000.3.008	3-61	61	(1)	08.6000.4.025	3-39	05	4
03.5519.4.023	3-59	01	0	08.6000.3.008	3-69	13	(1)	08.6000.4.025	3-41	25	2
03.5519.4.029	3-59	01	0	08.6000.3.008	3-77	69	(2)	08.6000.4.035	3-33	14	2
03.5519.4.040	3-7 ACL	01	1	08.6000.3.010	3-69	14	(1)	08.6000.5.010	3-19	51	2
03.5519.4.041	3-7 ACL	04	1	08.6000.3.010	3-5 i	5	2	08.6000.5.012	3-21	09	3
03.5519.4.042	3-7 ACL	7	1	08.6000.3.012	3-5 i	24	2	08.6000.5.012	3-23	20	2
03.7050.0.019	3-77	71	(1)	08.6000.3.014	3-3 ACL	34	1	08.6000.5.012	3-25	03	2
03.7050.0.020	3-77	70	(1)	08.6000.3.025	3-3 i	1	4	08.6000.5.012	3-27	37	2
03.7050.1.001	3-35	02	(1)	08.6000.3.030	3-69	5	(2)	08.6000.5.016	3-21	13	4
03.7050.1.001	3-9 i	2	1	08.6000.3.035	3-13	21	(2)	08.6000.5.016	3-23	23	1
03.7050.1.002	3-35	03	(1)	08.6000.3.045	3-43	10	2	08.6000.5.016	3-31	12	8
03.7050.1.002	3-9 i	3	1	08.6000.4.005	3-27	19	4	08.6000.5.020	3-23	19	1
04.1416.0.003	3-47	02	1	08.6000.4.005	3-29	37	4	08.6000.5.020	3-29	07	2
04.1416.0.003	3-15 i	02	1	08.6000.4.005	3-31	05	1	08.6000.5.020	3-5 i	16	3
04.9000.0.444	3-29	38	1	08.6000.4.005	3-37	24	2	08.6000.5.022	3-43	8	1
04.9000.1.443	3-29	41	(1)	08.6000.4.005	3-39	11	2	08.6000.5.025	3-21	20	1
04.9000.2.123	3-47	08	1	08.6000.4.005	3-83	4	(2)	08.6000.5.060	3-59	41	(1)
04.9000.2.123	3-15 i	08	1	08.6000.4.006	3-69	28	(2)	08.6000.5.060	3-71	33	(1)
04.9001.0.001	3-29	42	(1)	08.6000.4.008	3-23	30*	1	08.6000.6.010	3-21	28	4
04.9001.1.050	3-29	44	1	08.6000.4.008	3-27	32**	1	08.6000.6.010	3-45	10	2

INDEX

PART NUMBER	PAGE	DET	QTY	PART NUMBER	PAGE	DET	QTY	PART NUMBER	PAGE	DET	QTY
08.6000.6.030	3-29	43	(1)	08.6032.5.010	3-5 i	28	1	08.6310.4.030	3-33	19	2
08.6000.7.016	3-69	22	(2)	08.6050.4.006	3-77	63	(1)	08.6310.6.016	3-29	40	(2)
08.6000.8.020	3-27	01	4	08.6050.5.006	3-3 i	29	4	08.6312.8.020	3-53	10	(2)
08.6010.2.004	3-69	26	(2)	08.6100.3.006	3-3 ACL	22	(6)	08.6312.8.020	3-19 i	12	(2)
08.6010.2.004	3-77	67	(2)	08.6100.3.008	3-3 i	20	(8)	08.6312.8.035	3-47	30	4
08.6010.3.005	3-17	09	3	08.6100.4.006	3-3 ACL	15	(2)	08.6312.8.040	3-47	22	4
08.6010.3.005	3-65	70	1	08.6100.4.008	3-3 i	15	4	08.6312.8.040	3-15 i	22	8
08.6010.3.005	3-77	66	(4)	08.6100.4.010	3-59	42	(1)	08.6312.8.060	3-49	01	16
08.6010.3.005	3-11 i	04	1	08.6100.4.010	3-71	35	(1)	08.6400.3.003	4-3	10	1
08.6010.3.006	3-59	20	(4)	08.6100.4.012	3-47	29	(2)	08.6400.3.003	4-2	10	1
08.6010.3.006	3-71	09	(3)	08.6100.4.012	3-53	13	(4)	08.6400.3.004	3-17	08	1
08.6010.3.006	0	46	(2)	08.6100.4.012	3-15 i	29	(1)	08.6400.3.005	3-11	32	2
08.6010.4.006	3-7	18	2	08.6100.4.012	3-19 i	15	(4)	08.6400.3.005	3-37	21	1
08.6010.4.006	3-39	21	1	08.6100.5.010	3-5 i	7	1	08.6400.3.006	3-65	69	1
08.6010.4.006	3-3 ACL	35	1	08.6100.5.012	3-5 i	6	1	08.6400.3.006	3-11 i	9	1
08.6010.4.008	3-53	19	2	08.6100.5.020	3-31	03	1	08.6400.3.010	3-63	17	2
08.6010.4.008	3-3 i	25	4	08.6102.3.008	3-45	5	4	08.6400.3.010	3-65	65	1
08.6010.4.008	3-19 i	21	2	08.6112.3.004	3-77	62	(5)	08.6400.3.010	3-35	07	(2)
08.6010.4.010	3-27	09	1	08.6132.4.010	3-67	8	(1)	08.6400.3.010	3-77	59	(3)
08.6010.4.012	3-19	44	2	08.6132.4.010	3-7 i	4	8	08.6400.3.010	3-9 i	6	2
08.6010.4.012	3-33	15	2	08.6132.4.010	3-77	61	(2)	08.6400.3.010	3-11 i	10	2
08.6010.4.012	3-63	10	4	08.6200.3.005	3-21	41	1	08.6400.4.004	3-15	21*	1
08.6010.4.012	3-81	12	(1)	08.6200.3.005	3-59	7	(1)	08.6400.4.004	3-23	34*	1
08.6010.4.012	3-3 ACL	36	2	08.6200.3.005	3-73	53*	(1)	08.6400.4.004	3-31	43	(2)
08.6010.4.012	3-35	04	(4)	08.6200.3.005	3-81	11	(1)	08.6400.4.004	3-59	22	(2)
08.6010.4.012	3-77	65	(4)	08.6200.3.005	3-3 i	3	6	08.6400.4.004	3-71	11	(2)
08.6010.4.012	3-9 i	4	4	08.6200.3.005	3-5 i	18	4	08.6400.4.005	3-13	12	(1)
08.6010.4.012	3-11 i	05	4	08.6200.3.005	3-35	06	(2)	08.6400.4.005	3-17	26	2
08.6010.5.012	3-33	11	4	08.6200.3.005	3-77	60	(2)	08.6400.4.005	3-65	61	1
08.6010.5.012	3-63	12	2	08.6200.3.005	3-9 i	5	2	08.6400.4.006	3-37	11	2
08.6010.5.012	3-35	05	(2)	08.6200.3.006	3-27	40*	1	08.6400.4.006	3-43	12	1
08.6010.5.016	3-21	19	2	08.6200.3.006	3-5 ACL	7	1	08.6400.4.006	3-63	11	2
08.6012.2.006	3-77	64	(4)	08.6200.3.008	3-3 i	21	2	08.6400.4.006	3-81	09	(2)
08.6012.3.003	3-3 i	7	4	08.6200.4.006	3-27	13	3	08.6400.4.006	3-3 ACL	26	2+(1)
08.6012.3.006	3-13	06	(2)	08.6200.4.006	3-61	63	(1)	08.6400.4.006	3-35	08	(2)
08.6012.4.006	3-71	24	(2)	08.6200.4.006	3-65	49	2	08.6400.4.006	3-77	58	(2)
08.6012.4.010	3-11	02	3	08.6200.4.006	3-69	20	(2)	08.6400.4.006	3-9 i	7	2
08.6032.3.008	3-9	01	1	08.6200.4.006	3-11 i	07	1	08.6400.4.006	3-11 i	11	2
08.6032.4.008	3-13	25	1	08.6200.4.008	3-15	10	2	08.6400.4.008	3-21	25	2
08.6032.4.008	3-15	20	1	08.6200.4.008	3-37	22	2	08.6400.4.010	3-11	34	3
08.6032.4.008	3-37	19	6	08.6200.4.008	3-39	23	4	08.6400.4.010	3-15	16	1
08.6032.4.008	3-41	04	6	08.6200.4.008	3-63	26	3	08.6400.4.010	3-79	22	(1)
08.6032.4.008	3-3 i	22	1	08.6200.4.008	3-67	9	(1)	08.6400.4.030	3-25	01	1
08.6032.4.008	3-7 i	01	5	08.6200.4.008	3-11 i	08	2	08.6400.5.005	3-3	07	2
08.6032.4.008	3-7 ACL	19	(2)	08.6200.4.012	3-17	29	1	08.6400.5.006	3-33	23	1
08.6032.4.012	3-51	5	14	08.6200.4.016	3-3 ACL	37	2	08.6400.5.008	3-19	36	2
08.6032.4.012	3-17 i	5	14	08.6200.5.006	3-29	14	1	08.6400.5.030	3-23	27	1
08.6032.4.016	3-51	6	4	08.6200.5.006	3-43	5	(1)	08.6400.5.305	3-19	16	2
08.6032.4.016	3-17 i	6	4	08.6200.5.012	3-29	24	2	08.6400.5.305	3-21	22	(2)
08.6032.5.006	3-5 i	9	1	08.6200.5.020	3-31	47	2	08.6400.6.006	3-3	21	(2)

INDEX

PART NUMBER	PAGE	DET	QTY	PART NUMBER	PAGE	DET	QTY	PART NUMBER	PAGE	DET	QTY
08.6400.6.006	3-5	01	4+(2)	08.6700.6.300	3-31	42	1	08.6802.3.000	3-13	05	(1)
08.6400.6.006	3-19	07	(2)	08.6702.2.000	3-77	56	(2)	08.6802.8.000	3-47	17	12
08.6400.6.006	3-21	29	2	08.6702.4.000	3-39	17	1	08.6802.8.000	3-49	03	16
08.6400.6.006	3-31	22	6	08.6702.4.000	3-51	14	12	08.6802.8.000	3-53	14	(2)
08.6400.6.006	3-47	41	1	08.6702.4.000	3-53	20	1	08.6802.8.000	3-15 i	17	12
08.6400.6.006	3-81	08	(1)	08.6702.4.000	3-17 i	13	12	08.6802.8.000	3-19 i	16	(2)
08.6400.6.006	3-15 i	39	1	08.6702.4.000	3-19 i	22	1	08.6832.4.000	3-53	22	1
08.6400.6.006	3-77	57	(2)	08.6702.5.000	3-25	09	1	08.6832.4.000	3-3 i	41	1
08.6400.6.006	3-9 i	8	2	08.6702.6.000	3-51	22	2	08.6832.4.000	3-19 i	24	1
08.6400.6.006	3-11 i	12	2	08.6702.6.000	3-71	27	(1)	08.6832.4.000	3-7 ACL	20	(2)
08.6400.6.008	3-3	01	(2)	08.6702.6.000	3-17 i	21	2	08.6832.6.000	3-51	23	2
08.6400.6.010	3-5 i	8	1	08.6702.7.000	3-69	23	(2)	08.6832.6.000	3-17 i	22	2
08.6490.4.009	3-11 i	13	1	08.6702.8.000	3-47	18	14	08.6842.5.000	3-31	46	2
08.6522.4.006	3-33	01	6	08.6702.8.000	3-49	02	16	08.6850.0.000	3-21	33	1
08.6522.4.006	3-67	7	(1)	08.6702.8.000	3-51	25	4	08.6850.3.000	3-27	38	2
08.6522.4.006	3-5 i	1	3	08.6702.8.000	3-15 i	18	14	08.6850.3.000	3-39	38**	1
08.6522.4.006	3-7 i	5	4	08.6702.8.000	3-17 i	24	4	08.6850.3.000	3-45	18	3
08.6532.8.050	3-47	12	8	08.6702.8.020	3-53	15	(2)	08.6850.3.000	3-59	04	(1)
08.6532.8.050	3-15 i	12	8	08.6702.8.020	3-19 i	17	(2)	08.6850.3.000	3-69	11	(3)
08.6532.8.070	3-47	44	4	08.6710.3.000	3-63	18	2	08.6850.3.000	3-71	19	(2)
08.6532.8.070	3-51	1	4	08.6710.3.000	3-5 i	29	2	08.6850.3.000	3-77	53	(1)
08.6532.8.070	3-15 i	42	4	08.6710.3.000	3-5 ACL	2	1	08.6850.4.000	3-15	06	2
08.6532.8.070	3-17 i	1	4	08.6710.3.000	3-35	09	(2)	08.6850.4.000	3-15	27**	1
08.6632.3.016	3-47	06	15	08.6710.3.000	3-77	55	(3)	08.6850.4.000	3-17	34	1
08.6632.3.016	3-83	2	(4)	08.6710.3.000	3-9 i	9	2	08.6850.4.000	3-23	29*	1
08.6632.3.016	3-15 i	06	15	08.6710.3.000	3-11 i	15	2	08.6850.4.000	3-27	26	2
08.6662.4.010	3-53	16	2	08.6710.4.000	3-27	17	1	08.6850.4.000	3-31	31	6
08.6662.4.010	3-19 i	18	2	08.6710.4.000	3-33	20	2	08.6850.4.000	3-33	16	2
08.6663.5.025	3-47	34	(2)	08.6710.4.000	3-81	10	(4)	08.6850.4.000	3-37	20	4
08.6663.5.025	3-15 i	33	(2)	08.6710.4.000	3-35	10	(4)	08.6850.4.000	3-39	19	2
08.6683.4.007	3-41	10	3	08.6710.4.000	3-77	54	(4)	08.6850.4.000	3-45	8	2
08.6700.3.000	3-9	15	1	08.6710.4.000	3-9 i	10	4	08.6850.4.000	3-65	54	3
08.6700.3.000	3-13	19	(1)	08.6710.4.000	3-11 i	16	4	08.6850.4.000	3-69	33	(2)
08.6700.3.000	3-17	30	2	08.6710.5.000	3-19	32	2	08.6850.4.000	3-7 i	7	4
08.6700.3.000	3-29	29	1	08.6710.5.000	3-59	08	1	08.6850.4.000	3-11 i	17	2
08.6700.3.000	3-59	13	1	08.6710.5.000	3-71	34	(1)	08.6850.5.000	3-19	33	4
08.6700.3.000	3-65	66	1	08.6710.8.400	3-7	16	1	08.6850.5.000	3-21	26	5
08.6700.3.000	3-69	6	(3)	08.6710.8.400	3-23	07	2	08.6850.5.000	3-23	11	1
08.6700.4.000	3-9	07	1	08.6710.9.500	3-23	06	1	08.6850.5.000	3-31	01	8
08.6700.4.000	3-15	28**	1	08.6717.0.400	3-21	32	1	08.6850.5.000	3-5 i	11	4
08.6700.4.000	3-25	02	1	08.6722.8.000	3-47	19	2	08.6850.6.000	3-29	16	1+(3)
08.6700.4.000	3-81	13	(2)	08.6722.8.000	3-15 i	19	2	08.6850.6.000	3-69	17	(1)
08.6700.4.000	3-3 i	4	2	08.6733.3.000	3-13	22	(2)	08.6850.8.000	3-25	07	2
08.6700.4.000	3-11 i	14	1	08.6733.8.000	3-47	43	4	08.6850.8.000	3-29	45	2
08.6700.5.000	3-17	22	1	08.6733.8.000	3-15 i	40	4	08.6852.3.000	3-3 i	8	4
08.6700.5.000	3-21	39	1	08.6800.4.000	3-67	10	(1)	08.6852.4.000	3-41	03	4
08.6700.5.000	3-23	26	1	08.6800.5.000	3-5 i	15	3	08.6852.4.000	3-53	21	2
08.6700.5.000	3-5 i	12	1	08.6800.6.000	3-29	39	(2)	08.6852.4.000	3-61	60	(1)
08.6700.6.000	3-69	18	(2)	08.6800.8.000	3-27	33	4	08.6852.4.000	3-19 i	23	2
08.6700.6.300	3-31	15	1	08.6802.3.000	3-13	04	(1)	08.6852.8.000	3-47	16	12

INDEX

PART NUMBER	PAGE	DET	QTY	PART NUMBER	PAGE	DET	QTY	PART NUMBER	PAGE	DET	QTY
12.0008.4.898	3-21 i	16**	1	12.0010.3.146	3-3 i	40	(1)	12.2010.0.021	3-19	04	1
12.0008.4.898	3-3 ACL	30	(1)	12.0010.3.147	3-3 i	32	(2)	12.2010.0.023	3-3	14	2
12.0008.4.913	3-67	11	(1)	12.0010.3.148	3-3 i	37	(1)	12.2010.1.001	3-11	35	(1)
12.0008.6.527	3-49	05	2	12.0010.3.149	3-7 ACL	16	(1)	12.2050.0.004	3-5	15	(1)
12.0008.6.528	3-49	06	2	12.0010.3.150	3-7 ACL	14	(1)	12.2050.0.007	3-19	49	1
12.0008.6.812	3-29	32	(1)	12.0010.4.011	3-5 i	10	2	12.2050.0.007	3-21	36	3
12.0008.6.901	3-47	07	1	12.0010.4.013	3-5 i	23	1	12.2050.0.007	3-31	10	7
12.0008.6.901	3-15 i	07	1	12.0010.4.025	3-45	11	(5)	12.2050.0.008	3-19	39	1
12.0008.6.915	3-37	16	3	12.0010.4.038	3-5 i	4	2	12.2050.1.005	3-63	41	1
12.0008.6.915	3-47	21	1	12.0010.4.067	3-55	13	1	12.2050.1.005	3-77	51	(1)
12.0008.6.915	3-15 i	21	1	12.0010.4.067	3-21 i	13	1	12.2050.1.005	3-11 i	20	1
12.0008.6.977	3-43	9	1	12.0010.4.071	3-55	11	1	12.2050.1.007	3-21	07	1
12.0008.6.980	3-43	15	1	12.0010.4.071	3-21 i	11	1	12.2070.0.004	3-31	29	4
12.0008.6.981	3-9 i	31	2	12.0010.4.075	3-5 i	27	1	12.2070.0.006	3-33	22	2
12.0008.6.981	3-13 i	61	2	12.0010.4.078	3-55	17	1	12.2070.0.020	3-69	9	(1)
12.0010.3.027	3-23	32*	1	12.0010.4.078	3-21 i	17	1	12.2080.0.002	3-9	11	((1))
12.0010.3.027	3-39	35	2	12.0010.4.080	3-55	03	1	12.2099.1.009	3-21	06	1
12.0010.3.027	3-67	5	(1)	12.0010.4.080	3-21 i	03	1	12.3011.0.013	3-9	05	1
12.0010.3.028	3-25	11	2	12.0010.4.085	3-5 i	25	1	12.3013.0.002	3-63	20	1
12.0010.3.028	3-39	01	5	12.0010.4.163	3-55	18	1	12.3013.0.002	3-11 i	21	1
12.0010.3.028	3-43	14	1	12.0010.4.163	3-21 i	18	1	12.3015.7.016	3-3 ACL	16	(4)
12.0010.3.028	3-57	03	(3)	12.0010.4.168	3-55	06	1	12.5050.1.008	3-3	15	1
12.0010.3.028	3-61	46	((1))	12.0010.4.168	3-21 i	06	1	12.5050.1.501	3-47	45	1
12.0010.3.028	3-71	40	((2))	12.0010.4.191	3-45	7	(1)	12.5050.1.501	3-15 i	43	1
12.0010.3.029	3-23	33*	1	12.1010.0.206	3-81	16	(1)	12.5050.2.005	3-21	37	1
12.0010.3.029	3-41	27	2	12.1010.0.206	0	47	(1)	12.5050.2.005	3-31	17	1
12.0010.3.037	3-39	03	2	12.1010.0.206	3-35	11	(2)	12.5050.2.006	3-21	18	1
12.0010.3.037	3-57	16	(2)	12.1010.0.206	3-77	52	(2)	12.5050.2.008	3-3	05	1
12.0010.3.037	3-67	6	(1)	12.1010.0.206	3-9 i	11	2	12.5050.2.012	3-3 ACL	39	1
12.0010.3.089	3-41	24	5	12.1010.0.306	3-45	22	2	12.5050.2.014	3-31	16	1
12.0010.3.089	3-57	14	(1)	12.1010.0.320	3-37	17	2	12.5050.2.018	3-21	10	1
12.0010.3.089	3-59	40	((1))	12.1010.0.408	3-63	33	1	12.8000.0.040	3-51	18	1
12.0010.3.089	3-71	29	((2))	12.1010.0.408	3-11 i	19	1	12.8000.0.077	3-51	4	1
12.0010.3.089	3-3 i	38	(1)	12.1010.0.520	3-39	42	1	12.8000.0.077	3-17 i	4	1
12.0010.3.099	3-41	17*	4	12.1010.0.525	3-29	25	1	12.8000.0.401	3-45	6	(1)
12.0010.3.106	3-41	11	3	12.1010.0.530	3-39	25	2	12.8000.0.410	3-51	11	0
12.0010.3.106	3-43	2	1	12.1010.4.025	3-3 ACL	28	(1)	12.8000.0.423	3-17 i	17	1
12.0010.3.106	3-7 ACL	13	(2)	12.1015.0.002	3-65	60	1	13.2087.1.000	3-27	06	1
12.0010.3.116	3-39	29	1	12.1015.0.002	3-3 ACL	48	2	14.1025.3.000	3-11	15	2
12.0010.3.136	3-41	6	2	12.1040.1.001	3-11	19	(1)	14.1028.4.000	3-11	30	1
12.0010.3.137	3-41	02	1	12.1040.1.002	3-3	12	1	14.1032.3.000	3-11	01	1
12.0010.3.138	3-41	01	2	12.1040.1.002	3-21	16	3				
12.0010.3.139	3-41	13	1	12.1040.1.007	3-7	09	1	15.1436.0.000	3-63	19	4
12.0010.3.141	3-41	12	2	12.1045.0.004	3-17	48	1	15.1436.0.100	3-35	12	(6)
12.0010.3.141	3-7 ACL	12	(2)	12.1045.1.001	3-23	03	2	15.1436.0.100	3-77	50	(4)
12.0010.3.143	3-43	18	1	12.2010.0.004	3-29	18	(1)	15.1436.0.100	3-9 i	12	6
12.0010.3.144	3-43	19	1	12.2010.0.005	3-29	10	2	15.1436.0.100	3-11 i	22	4
12.0010.3.146	3-41	20	1	12.2010.0.011	3-3	11	1	15.2023.0.300	3-65	44	2
12.0010.3.146	3-57	15	(1)	12.2010.0.011	3-19	15	1	15.2023.0.300	3-35	13	(2)
12.0010.3.146	3-61	64	((1))	12.2010.0.011	3-21	17	2	15.2023.0.300	3-77	49	(2)

INDEX

PART NUMBER	PAGE	DET	QTY	PART NUMBER	PAGE	DET	QTY	PART NUMBER	PAGE	DET	QTY
12.0008.4.898	3-21 i	16**	1	12.0010.3.146	3-3 i	40	(1)	12.2010.0.021	3-19	04	1
12.0008.4.898	3-3 ACL	30	(1)	12.0010.3.147	3-3 i	32	(2)	12.2010.0.023	3-3	14	2
12.0008.4.913	3-67	11	(1)	12.0010.3.148	3-3 i	37	(1)	12.2010.1.001	3-11	35	(1)
12.0008.6.527	3-49	05	2	12.0010.3.149	3-7 ACL	16	(1)	12.2050.0.004	3-5	15	(1)
12.0008.6.528	3-49	06	2	12.0010.3.150	3-7 ACL	14	(1)	12.2050.0.007	3-19	49	1
12.0008.6.812	3-29	32	(1)	12.0010.4.011	3-5 i	10	2	12.2050.0.007	3-21	36	3
12.0008.6.901	3-47	07	1	12.0010.4.013	3-5 i	23	1	12.2050.0.007	3-31	10	7
12.0008.6.901	3-15 i	07	1	12.0010.4.025	3-45	11	(5)	12.2050.0.008	3-19	39	1
12.0008.6.915	3-37	16	3	12.0010.4.038	3-5 i	4	2	12.2050.1.005	3-63	41	1
12.0008.6.915	3-47	21	1	12.0010.4.067	3-55	13	1	12.2050.1.005	3-77	51	(1)
12.0008.6.915	3-15 i	21	1	12.0010.4.067	3-21 i	13	1	12.2050.1.005	3-11 i	20	1
12.0008.6.977	3-43	9	1	12.0010.4.071	3-55	11	1	12.2050.1.007	3-21	07	1
12.0008.6.980	3-43	15	1	12.0010.4.071	3-21 i	11	1	12.2070.0.004	3-31	29	4
12.0008.6.981	3-9 i	31	2	12.0010.4.075	3-5 i	27	1	12.2070.0.006	3-33	22	2
12.0008.6.981	3-13 i	61	2	12.0010.4.078	3-55	17	1	12.2070.0.020	3-69	9	(1)
12.0010.3.027	3-23	32*	1	12.0010.4.078	3-21 i	17	1	12.2080.0.002	3-9	11	((1))
12.0010.3.027	3-39	35	2	12.0010.4.080	3-55	03	1	12.2099.1.009	3-21	06	1
12.0010.3.027	3-67	5	(1)	12.0010.4.080	3-21 i	03	1	12.3011.0.013	3-9	05	1
12.0010.3.028	3-25	11	2	12.0010.4.085	3-5 i	25	1	12.3013.0.002	3-63	20	1
12.0010.3.028	3-39	01	5	12.0010.4.163	3-55	18	1	12.3013.0.002	3-11 i	21	1
12.0010.3.028	3-43	14	1	12.0010.4.163	3-21 i	18	1	12.3015.7.016	3-3 ACL	16	(4)
12.0010.3.028	3-57	03	(3)	12.0010.4.168	3-55	06	1	12.5050.1.008	3-3	15	1
12.0010.3.028	3-61	46	((1))	12.0010.4.168	3-21 i	06	1	12.5050.1.501	3-47	45	1
12.0010.3.028	3-71	40	((2))	12.0010.4.191	3-45	7	(1)	12.5050.1.501	3-15 i	43	1
12.0010.3.029	3-23	33*	1	12.1010.0.206	3-81	16	(1)	12.5050.2.005	3-21	37	1
12.0010.3.029	3-41	27	2	12.1010.0.206	0	47	(1)	12.5050.2.005	3-31	17	1
12.0010.3.037	3-39	03	2	12.1010.0.206	3-35	11	(2)	12.5050.2.006	3-21	18	1
12.0010.3.037	3-57	16	(2)	12.1010.0.206	3-77	52	(2)	12.5050.2.008	3-3	05	1
12.0010.3.037	3-67	6	(1)	12.1010.0.206	3-9 i	11	2	12.5050.2.012	3-3 ACL	39	1
12.0010.3.089	3-41	24	5	12.1010.0.306	3-45	22	2	12.5050.2.014	3-31	16	1
12.0010.3.089	3-57	14	(1)	12.1010.0.320	3-37	17	2	12.5050.2.018	3-21	10	1
12.0010.3.089	3-59	40	((1))	12.1010.0.408	3-63	33	1	12.8000.0.040	3-51	18	1
12.0010.3.089	3-71	29	((2))	12.1010.0.408	3-11 i	19	1	12.8000.0.077	3-51	4	1
12.0010.3.089	3-3 i	38	(1)	12.1010.0.520	3-39	42	1	12.8000.0.077	3-17 i	4	1
12.0010.3.099	3-41	17*	4	12.1010.0.525	3-29	25	1	12.8000.0.401	3-45	6	(1)
12.0010.3.106	3-41	11	3	12.1010.0.530	3-39	25	2	12.8000.0.410	3-51	11	0
12.0010.3.106	3-43	2	1	12.1010.4.025	3-3 ACL	28	(1)	12.8000.0.423	3-17 i	17	1
12.0010.3.106	3-7 ACL	13	(2)	12.1015.0.002	3-65	60	1	13.2087.1.000	3-27	06	1
12.0010.3.116	3-39	29	1	12.1015.0.002	3-3 ACL	48	2	14.1025.3.000	3-11	15	2
12.0010.3.136	3-41	6	2	12.1040.1.001	3-11	19	(1)	14.1028.4.000	3-11	30	1
12.0010.3.137	3-41	02	1	12.1040.1.002	3-3	12	1	14.1032.3.000	3-11	01	1
12.0010.3.138	3-41	01	2	12.1040.1.002	3-21	16	3				
12.0010.3.139	3-41	13	1	12.1040.1.007	3-7	09	1	15.1436.0.000	3-63	19	4
12.0010.3.141	3-41	12	2	12.1045.0.004	3-17	48	1	15.1436.0.100	3-35	12	(6)
12.0010.3.141	3-7 ACL	12	(2)	12.1045.1.001	3-23	03	2	15.1436.0.100	3-77	50	(4)
12.0010.3.143	3-43	18	1	12.2010.0.004	3-29	18	(1)	15.1436.0.100	3-9 i	12	6
12.0010.3.144	3-43	19	1	12.2010.0.005	3-29	10	2	15.1436.0.100	3-11 i	22	4
12.0010.3.146	3-41	20	1	12.2010.0.011	3-3	11	1	15.2023.0.300	3-65	44	2
12.0010.3.146	3-57	15	(1)	12.2010.0.011	3-19	15	1	15.2023.0.300	3-35	13	(2)
12.0010.3.146	3-61	64	((1))	12.2010.0.011	3-21	17	2	15.2023.0.300	3-77	49	(2)

INDEX

PART NUMBER	PAGE	DET	QTY	PART NUMBER	PAGE	DET	QTY	PART NUMBER	PAGE	DET	QTY
15.2023.0.300	3-9 i	13	2	17.0013.1.485	3-81	25	(1)	17.0026.3.173	3-17	42	1
15.2023.0.300	3-11 i	23	2	17.0013.2.090	3-19	08	1	17.0026.4.035	3-17	27	1
15.4530.0.200	3-17	17	1	17.0013.2.090	3-23	16	1	17.0026.4.064	3-65	51	1
15.4531.0.200	3-17	11	1	17.0013.4.027	3-23	18	1	17.0026.4.064	3-11 i	30	1
17.0003.6.156	3-47	03	1	17.0013.4.027	3-31	13	1	17.0027.1.106	3-27	28	1
17.0003.6.156	3-15 i	03	1	17.0013.5.067	3-63	16	2	17.0027.1.419	3-15	15	1
17.0004.4.829	3-17	20	1	17.0013.5.067	3-35	16	(2)	17.0027.4.035	3-31	44	1
17.0004.9.893	3-79	06	(1)	17.0013.5.067	3-77	45	(2)	17.0027.4.045	3-19	31	1
17.0004.9.894	3-17	14	1	17.0013.5.067	3-9 i	14	2	17.0027.4.085	3-11	07	(1)
17.0004.9.895	3-17	07	1	17.0013.5.067	3-11 i	27	2	17.0027.4.085	3-19	50	1
17.0011.2.013	3-3	19	(2)	17.0013.6.081	3-17	37	2	17.0027.4.085	3-21	04	2
17.0011.2.072	3-33	28	1	17.0014.1.071	3-3	04	2	17.0027.4.085	3-29	17	(1)
17.0012.0.077	3-77	48	(2)	17.0014.1.119	3-33	27	2	17.0031.0.196	3-29	27	1
17.0012.0.113	3-19	13	1	17.0014.1.178	3-59	25	(1)	17.0031.0.359	3-11	13	1
17.0012.0.120	3-11	23	(2)	17.0015.3.022	3-9	13	1	17.0031.0.406	3-19	10	(2)
17.0012.0.218	3-21	24	2	17.0016.1.054	3-63	30	1	17.0031.3.027	3-11	28	2
17.0012.0.290	3-5	03	1	17.0016.1.054	3-11 i	28	1	17.0033.1.109	3-7	05	1
17.0012.0.303	3-81	26	(2)	17.0016.1.094	3-19	37	(1)	17.0033.2.405	3-81	30	1
17.0012.0.303	3-35	14	(2)	17.0016.1.190	3-7	01	1	17.0033.3.131	3-19	34	2
17.0012.0.404	3-17	18	2	17.0016.1.214	3-17	38	1	17.0041.1.094	3-17	03	4
17.0012.0.543	3-11	24	(1)	17.0016.1.298	3-3 ACL	40	1	17.0041.8.152	3-9	09	(1)
17.0012.0.543	3-63	32	1	17.0016.1.401	3-59	14	(1)	17.0042.1.279	3-29	46	1
17.0012.0.543	3-11 i	24	1	17.0017.1.059	3-17	46	1	17.0042.1.283	3-11	05	(1)
17.0012.0.571	3-23	15	2	17.0019.0.228	3-17	01	2	17.0042.6.082	3-79	17*	1
17.0012.0.605	3-57	13	1	17.0019.0.228	3-33	31	2	17.0042.6.083	3-79	18	(1)
17.0012.0.605	3-63	24	1	17.0019.0.228	3-81	32	1	17.0042.6.084	3-79	19	(1)
17.0012.0.605	3-79	10	(1)	17.0019.0.233	3-7	15	1	17.0042.6.085	3-79	20	(1)
17.0012.0.605	3-11 i	25	1	17.0019.0.398	3-19	28	1	17.0042.6.086	3-79	14	(1)
17.0012.0.688	3-59	10	(1)	17.0019.0.441	3-47	35	4	17.0042.6.088	3-79	15	(1)
17.0012.0.688	3-71	16	(1)	17.0019.0.441	3-15 i	44	4	17.0042.6.090	3-79	16	(1)
17.0012.1.137	3-59	24	(1)	17.0019.0.517	3-7	14	3	17.0043.6.018	3-19	17	1
17.0012.1.137	3-71	13	(1)	17.0019.1.062	3-11	14	2	17.0043.6.018	3-21	21	1
17.0012.1.140	3-17	04	2	17.0019.1.088	3-17	19	2	17.0043.6.277	3-11	22	2
17.0012.1.142	3-17	21	2	17.0019.2.066	3-63	14	2	17.0043.6.351	3-11	27	1
17.0012.1.142	3-65	43	1	17.0019.2.066	3-35	17	(2)	17.0044.2.229	3-11	20	(1)
17.0012.1.142	3-77	47	(1)	17.0019.2.066	3-77	44	(2)	17.0064.7.162	3-17	28	1
17.0012.1.142	3-11 i	26	1	17.0019.2.066	3-9 i	15	2	17.0066.7.157	3-35	19	(1)
17.0012.1.169	3-7	12	(1)	17.0019.2.066	3-11 i	29	2	17.0066.7.158	3-35	20	(1)
17.0012.2.400	3-17	23	1	17.0019.5.040	3-63	15	2	17.0069.4.047	3-79	05	(1)
17.0012.4.070	3-81	21	(1)	17.0019.5.040	3-35	18	(2)	17.0069.4.048	3-17	15	1
17.0012.4.105	3-17	35	1	17.0019.5.040	3-75	43	(2)	17.0069.4.049	3-17	06	1
17.0012.4.106	3-17	41	1	17.0021.1.069	3-31	08	2	17.0074.4.405	3-19	42	1
17.0012.4.106	3-63	38	2	17.0021.1.073	3-23	22	1	17.0081.4.376	3-3	09	2
17.0012.4.106	3-35	15	(2)	17.0026.0.215	3-17	25	2	17.0081.5.047	3-7	17	2
17.0012.4.106	3-77	46	(2)	17.0026.0.218	3-59	12	(1)	17.0081.5.047	3-29	02	4
17.0012.6.110	3-33	35	9	17.0026.1.084	3-3 i	9	2	17.0081.5.082	3-17	32	1
17.0012.6.400	3-81	24	(1)	17.0026.2.054	3-13	08	(1)	17.0082.5.235	3-17	33	1
17.0013.1.415	3-23	13	2	17.0026.2.072	3-13	26	1	17.0082.5.884	3-81	14	(1)
17.0013.1.415	3-3 ACL	6	(1)	17.0026.2.400	3-17	45	1	17.0082.5.884	3-35	21	(1)
17.0013.1.482	3-59	26	(1)	17.0026.3.014	3-29	26	1	17.0082.5.997	3-23	14	2

INDEX

PART NUMBER	PAGE	DET	QTY	PART NUMBER	PAGE	DET	QTY	PART NUMBER	PAGE	DET	QTY
17.0082.6.000	3-39	14*	4	19.0002.9.009	3-3 i	43	1	19.0007.9.011	3-3 ACL	31	(1)
17.0082.8.017	3-13	09	(2)	19.0003.1.600	3-35	01	1	19.0007.9.018	3-19 i	06	1
17.0082.8.082	3-59	33	(1)	19.0003.1.600	3-57	01	1	19.0007.9.019	3-19 i	07	1
17.0082.8.082	3-71	30	(1)	19.0003.1.601	3-9 i	1	1	19.0007.9.021	3-17 i	28	1
17.0082.8.083	3-17	44	2	19.0003.1.655	3-71	37	(1)	19.0007.9.022	3-17 i	29	1
17.0087.0.169	3-81	15	(1)	19.0003.1.657	3-79	07	(1)	19.0007.9.023	3-17 i	11	1
17.0087.0.169	3-35	22	(1)	19.0003.1.657	3-81	33	0	19.0007.9.028	3-19 i	05	1
17.0087.0.204	3-57	12	1	19.0003.1.661	3-61	43	0	19.0007.9.029	3-19 i	25	1
17.0087.0.204	3-71	15	(1)	19.0003.1.662	3-61	43	0	19.0007.9.035	3-3 ACL	29	(1)
17.0087.0.204	3-79	09	(1)	19.0003.1.663	3-61	43	0	19.0007.9.036	3-53	9	(1)
17.0094.0.200	3-47	13	4	19.0003.1.665	3-75	01	1	19.0007.9.036	3-19 i	11	(1)
17.0094.0.200	3-15 i	13	4	19.0003.1.691	3-63	1	1	19.0007.9.037	3-53	6	1
17.0094.5.052	3-27	34	2	19.0003.1.692	3-63	0	0	19.0007.9.037	3-19 i	08	1
17.0095.1.272	3-47	24	12	19.0003.1.693	3-11 i	01	1	19.0007.9.038	3-83	5	(1)
17.0095.1.272	3-15 i	24	12	19.0003.1.694	3-11 i	01	0	19.0007.9.041	3-17 i	30	1
17.0095.1.329	3-15	07	1	19.0004.1.402	3-75	42	(1)	19.0007.9.045	3-47	36	(1)
17.0097.5.174	3-15 i	45	1	19.0005.0.014	3-51	28	1	19.0007.9.045	3-15 i	34	(1)
17.0097.5.182	3-47	25	1	19.0005.0.014	3-17 i	27	1	19.0007.9.046	3-47	37	(1)
17.0097.5.182	3-15 i	25	1	19.0005.0.015	3-47	15	1	19.0007.9.046	3-15 i	35	(1)
18.0004.3.251	3-29	23	1	19.0005.0.015	3-15 i	15	1	19.0007.9.057	3-53	4	1
18.0011.2.400	3-11	21	2	19.0005.0.016	3-47	14	1	19.0007.9.058	3-53	5	1
18.0011.3.400	3-3	16	(1)	19.0005.0.016	3-15 i	14	1	19.0007.9.059	3-51	12	1
18.0026.4.403	3-59	19	(1)	19.0005.0.019	3-5 i	3	1	19.0007.9.060	3-41	15	1
18.0026.4.403	3-71	08	(1)	19.0005.0.021	3-3 i	33	1	19.0007.9.061	3-51	29	1
18.0028.3.401	3-59	30	(1)	19.0005.0.022	3-3 i	6	1	19.0007.9.062	3-51	30	1
18.0028.3.401	3-71	18	(1)	19.0005.0.023	3-7 i	10	1	19.0007.9.065	3-45	13	(1)
18.0031.0.481	3-59	32	(1)	19.0005.0.024	3-7 i	9	1	19.0007.9.066	3-45	15	(1)
18.0031.0.481	3-71	31	(1)	19.0005.0.027	3-5 i	2	1	19.0007.9.067	3-45	16	(1)
18.0032.3.198	3-29	20	(1)	19.0005.0.028	3-47	10	1	19.0007.9.070	3-41	05	1
18.0041.0.676	3-29	12	1	19.0005.0.028	3-15 i	10	1	19.0007.9.462	3-45	20	3
18.0052.0.274	3-29	19	(1)	19.0005.0.031	3-47	28	(1)	19.0007.9.499	3-45	14	(1)
18.0052.1.400	3-29	11	1	19.0005.0.031	3-15 i	28	(1)	19.0008.2.001	3-29	35	1
18.0061.3.350	3-29	22	(1)	19.0005.0.032	3-47	27	(2)	19.0008.3.415	3-43	3	(1)
18.0064.6.427	3-19	43	1	19.0005.0.032	3-15 i	27	(2)	19.0008.3.417	3-41	7	1
18.0064.8.426	3-65	57	1	19.0005.2.210	3-59	18	(1)	19.0008.3.418	3-39	41	1
18.0066.7.410	3-9 i	16	1	19.0005.2.210	3-71	07	(1)	19.0008.3.419	3-39	27	2
18.0066.7.411	3-9 i	17	1	19.0005.2.214	3-17	36	1	19.0008.6.443	3-3 i	19	1
18.0081.8.706	3-17	12	1	19.0005.2.215	3-75	41	(1)	19.0009.2.001	3-3 ACL	2	1
18.0082.6.406	3-59	31	(1)	19.0005.2.216	3-59	21	(1)	19.0011.0.400	3-17	39	1
18.0082.6.406	3-71	20	(1)	19.0005.2.218	3-43	13	1	19.0011.1.401	3-11	16	1
19.0002.0.463	3-69	25	(1)	19.0005.2.219	3-71	10	(1)	19.0011.1.402	3-7	08	1
0			0	19.0005.2.220	3-63	25	1	19.0011.1.403	3-5 ACL	8	1
19.0002.4.402	3-11	04	1	19.0005.2.220	3-11 i	32	1	19.0011.2.403	3-3 i	5	2
19.0002.4.407	3-5	13	1	19.0005.2.221	3-23	31*	1	19.0011.2.404	3-3 ACL	9	(1)
19.0002.4.411	3-11	12	1	19.0006.9.448	3-15 i	11	1	19.0011.8.403	3-5	08	1
19.0002.5.409	3-27	08	1	19.0006.9.455	3-47	11	1	19.0011.8.404	3-13	10	(1)
19.0002.5.411	3-27	35	2	19.0007.9.008	3-51	13	1	19.0011.8.405	3-17	43	1
19.0002.5.414	3-27	29*	1	19.0007.9.008	3-17 i	12	1	19.0011.8.406	3-13	10*	1
19.0002.8.104	3-9	06	1	19.0007.9.011	3-51	27*	1*	19.0012.0.689	3-59	28	(1)
19.0002.8.108	3-5	06	1	19.0007.9.011	3-17 i	26*	1*	19.0012.0.691	3-7	04	1

INDEX

PART NUMBER	PAGE	DET	QTY	PART NUMBER	PAGE	DET	QTY	PART NUMBER	PAGE	DET	QTY
19.0012.1.404	3-63	29	1	19.0027.1.610	3-9 i	18	2	19.0033.8.406	3-11	33	3
19.0012.1.404	3-11 i	33	1	19.0027.1.610	3-11 i	36	2	19.0033.8.407	3-17	05	1
19.0012.2.401	3-31	36	1	19.0027.1.615	3-17	24	1	19.0033.8.408	3-17	13	1
19.0012.5.400	3-59	36	(2)	19.0027.1.617	3-65	58	1	19.0033.8.409	3-21	02	1
19.0012.5.400	3-71	23	(2)	19.00271.610	3-81	19	(1)	19.0033.8.409	3-31	41	1
19.0013.0.001	3-57	08	1	19.0028.3.403	3-59	34	(1)	19.0033.8.412	3-19	47	1
19.0013.0.001	3-71	06	(1)	19.0028.3.403	3-71	21	(1)	19.0034.0.401	3-31	26	1
19.0013.0.001	3-79	02	(1)	19.0028.3.404	3-59	35	(1)	19.0034.0.402	3-31	30	1
19.0013.1.487	3-33	07	4	19.0028.3.404	3-71	22	(1)	19.0034.0.403	3-31	25	2
19.0013.1.487	3-81	29	2	19.0028.3.405	3-75	37	(1)	19.0034.0.404	3-33	25	1
19.0013.1.496	3-3 ACL	41	1	19.0028.3.406	3-75	36	(1)	19.0034.0.409	3-19	11	1
19.0013.1.498	3-63	23	1	19.0028.3.407	3-75	35	(1)	19.0034.1.401	3-21	05	1
19.0013.1.498	3-11 i	34	1	19.0031.1.400	3-23	25	1	19.0034.2.402	3-25	05	1
19.0013.6.400	3-19	19	2	19.0031.3.404	3-75	34	(1)	19.0034.2.403	3-23	05	1
19.0014.3.404	3-9	02	1	19.0031.3.405	3-37	07	2	19.0034.6.402	3-19	40	1
19.0014.3.405	3-39	30	2	19.0031.3.407	3-19	45	(2)	19.0034.6.403	3-19	41	1
19.0014.6.412	3-53	18	1	19.0031.4.401	3-43	20*	(1)	19.0034.7.400	3-23	12	1
19.0014.6.412	3-19 i	20	1	19.0031.8.405	3-33	18	3	19.0034.9.403	3-3	13	1
19.0014.7.003	3-47	32	(2)	19.0031.8.414	3-27	07	2	19.0041.0.675	3-31	11	3
19.0014.7.003	3-15 i	31	(2)	19.0031.8.416	3-5	04	1	19.0041.0.680	3-21	38	1
19.0015.6.401	3-31	33	2	19.0032.0.403	3-3 i	13	2	19.0041.0.684	3-63	40	2
19.0016.1.402	3-33	10	2	19.0032.2.407	3-29	03	1	19.0041.0.684	3-81	20	(1)
19.0016.1.402	3-81	31	1	19.0032.3.401	3-29	09	1	19.0041.0.684	3-35	25	(2)
19.0016.3.403	3-19	18	2	19.0032.6.400	3-5	05	1	19.0041.0.684	3-75	32	(2)
19.0016.3.403	3-31	32	2	19.0032.6.401	3-19	35	2	19.0041.0.684	3-9 i	20	2
19.0016.3.405	3-31	35	1	19.0032.6.404	3-69	15	(1)	19.0041.0.684	3-11 i	38	2
19.0016.3.406	3-67	3	(1)	19.0032.8.401	3-81	06	(1)	19.0041.0.689	3-3	10	1
19.0016.3.408	3-71	26	(1)	19.0032.8.401	3-35	24	(2)	19.0041.0.690	3-39	08	2
19.0016.3.410	3-3 ACL	12	(1)	19.0032.8.401	3-75	33	(2)	19.0041.0.692	3-11	26	1
19.0017.2.402	3-29	28	1	19.0032.8.401	3-9 i	19	2	19.0041.0.693	3-19	21	(4)
19.0017.2.403	3-13	07	(1)	19.0032.8.401	3-11 i	37	2	19.0041.0.694	3-29	08	1
19.0017.2.404	3-13	23	(1)	19.0032.8.404	3-65	56	2	19.0041.0.696	3-21	03	1
19.0017.4.400	3-23	08	2	19.0032.8.405	3-23	09	2	19.0041.0.696	3-31	40	1
19.0019.0.682	3-21	14	3	19.0033.1.401	3-81	27	(1)	19.0041.0.697	3-19	48	1
19.0019.0.685	3-31	06	1	19.0033.1.405	3-17	47	1	19.0041.1.400	3-63	42	1
19.0019.0.686	3-19	27	1	19.0033.1.406	3-33	05	2	19.0041.1.400	3-75	31	(1)
19.0019.0.687	3-11	31	1	19.0033.1.407	3-39	40	1	19.0041.1.400	3-11 i	39	1
19.0019.0.688	3-11	03	2	19.0033.2.401	3-9	08	(2)	19.0041.2.404	3-19	30	1
19.0019.0.692	3-75	40	(1)	19.0033.2.403	3-3 ACL	17	(4)	19.0041.6.400	3-29	04	2
19.0019.0.693	3-5	12	1	19.0033.2.405	3-33	06	2	19.0041.6.401	3-11	11	1
19.0019.6.402	3-65	68	1	19.0033.2.412	3-13	20	(1)	19.0041.6.402	3-5	02	1
19.0019.6.402	3-11 i	35	1	19.0033.2.413	3-39	12	1	19.0041.6.403	3-75	30	(1)
19.0019.6.405	3-21	31	2	19.0033.3.401	3-19	25	(1)	19.0041.8.401	3-19	12	2
19.0026.4.402	3-75	39	(1)	19.0033.3.405	3-69	10	(1)	19.0042.1.406	3-19	38	1
19.0026.4.405	3-65	52	1	19.0033.3.408	3-3 ACL	4	(1)	19.0042.1.408	3-5	09	(1)
19.0026.4.405	3-11 i	31	1	19.0033.5.403	3-31	09	1	19.0042.2.400	3-19	09	1
19.0027.1.603	3-29	30	1	19.0033.5.404	3-17	40	1	19.0042.5.401	3-21	08	1
19.0027.1.610	3-63	39	2	19.0033.5.405	3-21	34	1	19.0042.5.409	3-75	29	(1)
19.0027.1.610	3-35	23	(2)	19.0033.8.403	3-9	03	1	19.0043.6.046	3-31	39	1
19.0027.1.610	3-75	38	(2)	19.0033.8.405	3-5	18	1	19.0043.6.441	3-19	29	1

INDEX

PART NUMBER	PAGE	DET	QTY	PART NUMBER	PAGE	DET	QTY	PART NUMBER	PAGE	DET	QTY
19.0043.6.442	3-5	17	1	19.0062.5.408	3-75	27	(2)	19.0064.6.472	3-71	36	(1)
19.0044.1.623	3-15	18	1	19.0062.5.408	3-11 i	42	2	19.0064.6.493	3-79	21	(1)
19.0044.1.623	3-27	16	2	19.0062.5.415	3-65	64	1	19.0064.6.504	3-13	13	(1)
19.0044.1.624	3-3	18	1	19.0062.5.415	3-11 i	43	1	19.0064.6.506	3-3 i	16	1
19.0044.1.625	3-3	20	1	19.0062.6.402	3-33	30	1	19.0064.6.507	3-3 i	17	1
19.0044.1.626	3-63	28	1	19.0062.6.403	3-39	22	3	19.0064.6.508	3-3 i	14	2
19.0044.1.626	3-11 i	40	1	19.0062.7.410	3-31	04	1	19.0064.6.511	3-3 i	27	(2)
19.0044.5.401	3-19	02	1	19.0063.0.402	3-5	16	(1)	19.0064.6.514	3-3 i	23	(2)
19.0044.5.402	3-21	23	1	19.0063.1.073	3-17	02	1	19.0064.6.516	3-3 i	28	(2)
19.0044.5.403	3-11	06	(1)	19.0063.3.400	3-9	10	(1)	19.0064.6.518	3-23	28*	1
19.0044.5.404	3-29	34	(1)	19.0063.3.403	3-29	15	1	19.0064.7.402	3-81	05	(1)
19.0044.5.406	3-7	11	1	19.0063.4.400	3-7	10	(1)	19.0064.7.402	3-9 i	23	2
19.0045.3.400	3-11	36	1	19.0063.4.403	3-7	02	1	19.0064.7.402	3-35	28	(2)
19.0045.3.402	3-11	25	1	19.0063.4.404	3-5	07	(1)	19.0064.7.402	3-75	25	(2)
19.0051.0.409	3-3	17	1	19.0063.5.406	3-35	27	(2)	19.0064.7.402	3-11 i	46	2
19.0052.0.501	3-47	40	1	19.0063.5.410	3-63	35	2	19.0064.7.405	3-33	17	2
19.0052.0.501	3-15 i	38	1	19.0063.5.416	3-23	01	1	19.0064.7.423	3-65	55	1
19.0055.1.402	3-31	34	1	19.0063.5.417	3-23	04	1	19.0064.7.424	3-63	8	1
19.0055.1.403	3-31	38	1	19.0063.5.418	3-81	07	(1)	19.0064.7.429	3-3 i	24	(1)
19.0055.2.402	3-3	02	1	19.0063.5.418	3-75	26	(2)	19.0064.7.432	3-31	18	1
19.0055.4.403	3-11	29	1	19.0063.5.418	3-9 i	22	2	19.0064.7.435	3-3 ACL	24	(1)
19.0055.4.406	3-21	12	1	19.0063.5.418	3-11 i	45	2	19.0064.8.407	3-33	29	1
19.0055.4.407	3-21	11	2	19.0063.6.441	3-33	13	2	19.0064.8.409	3-33	04	2
19.0055.4.408	3-31	07	2	19.0063.6.442	3-19	20	1	19.0064.8.424	3-39	39	1
19.0055.4.418	3-3 ACL	13	1+(1)	19.0063.6.443	3-19	24	1	19.0064.8.438	3-69	3	(1)
19.0055.4.419	3-21	30	1	19.0063.6.445	3-23	24	1	19.0064.8.443	3-83	3	(1)
19.0055.4.423	3-31	27	1	19.0063.6.447	3-3 ACL	8	(1)	19.0064.8.444	3-39	24	5
19.0055.4.424	3-31	45	1	19.0063.6.454	3-7	13	1	19.0064.8.445	3-39	06	2
19.0055.4.429	3-21	35	1	19.0063.6.456	3-23	17	1	19.0064.8.446	3-3 ACL	42	1
19.0055.4.430	3-19	06	1	19.0064.1.101	3-7	07	1	19.0064.8.448	3-31	14	1
19.0055.4.431	3-3	06	1	19.0064.5.849	3-61	43	0	19.0064.8.449	3-3 ACL	43	1
19.0055.4.432	3-5 i	17	1	19.0064.5.849	3-61	61	0	19.0066.7.422	3-75	24	(1)
19.0055.5.400	3-31	37	2	19.0064.5.849	3-73	46	(1)	19.0066.7.423	3-75	23	(1)
19.0058.1.400	3-31	28	2	19.0064.5.850	3-61	62	0	19.0066.8.400	3-63	13	1
19.0061.3.601	3-25	06	1	19.0064.5.851	3-61	63	0	19.0066.8.400	3-35	29	(1)
19.0061.3.601	3-33	12 *	2	19.0064.5.852	3-61	64	0	19.0066.8.401	3-65	45	1
19.0061.3.605	3-63	31	1	19.0064.5.852	3-73	48	(1)	19.0066.8.401	3-35	30	(1)
19.0061.3.605	3-11 i	41	1	19.0064.5.853	3-61	65	0	19.0066.8.402	3-75	22	(1)
19.0061.3.610	3-25	04	1	19.0064.5.854	3-61	66	0	19.0066.8.404	3-81	23	(1)
19.0061.3.611	3-75	28	(1)	19.0064.5.854	3-73	49	(1)	19.0066.8.405	3-9 i	24	1
19.0061.3.612	3-33	12	2	19.0064.5.855	3-61	67	0	19.0066.8.405	3-75	21	(1)
19.0061.3.613	3-5 ACL	3	1	19.0064.5.856	3-61	68	0	19.0066.8.405	3-13 i	49	1
19.0061.6.401	3-59	11	(1)	19.0064.5.856	3-73	50	(1)	19.0066.8.406	3-9 i	25	1
19.0062.2.410	3-3 ACL	5	(1)	19.0064.5.952	3-73	47	(1)	19.0066.8.406	3-75	20	(1)
19.0062.5.405	3-59	29	(1)	19.0064.5.958	3-3 ACL	7	(1)	19.0066.8.406	3-13 i	50	1
19.0062.5.405	3-71	17	(1)	19.0064.5.959	3-7 ACL	03	(1)	19.0067.1.025	3-7	03	1
19.0062.5.408	3-63	36	2	19.0064.5.964	3-7 ACL	6	(1)	19.0067.2.408	3-45	21	1
19.0062.5.408	3-81	17	(2)	19.0064.5.973	3-79	12	(2)	19.0067.2.415	3-3	08	1
19.0062.5.408	3-9 i	21	2	19.0064.5.974	3-79	11	(1)	19.0067.2.416	3-3	03	1
19.0062.5.408	3-35	26	(2)	19.0064.6.472	3-61	43	(1)	19.0067.4.401	3-19	14	1

INDEX

PART NUMBER	PAGE	DET	QTY	PART NUMBER	PAGE	DET	QTY	PART NUMBER	PAGE	DET	QTY
				19.0081.5.473	3-9 i	28	1				
19.0071.0.204	3-27	02	1	19.0081.5.473	3-13 i	56	1	19.0082.6.421	3-75	09	(1)
19.0071.3.403	3-15	04	1	19.0081.5.474	3-5 i	21	1	19.0082.6.422	3-65	50	1
19.0071.4.207	3-33	21	1	19.0081.5.478	3-13	01	(1)	19.0082.6.422	3-35	35	(1)
19.0071.4.208	3-3 i	34	1	19.0081.6.402	3-45	2	1	19.0082.6.422	3-75	08	(1)
19.0071.7.404	3-19	03	1	19.0081.6.403	3-45	4	1	19.0082.6.426	3-75	07	(1)
19.0072.4.404	3-29	31	1	19.0081.6.413	3-55	19	1	19.0082.6.427	3-75	06	(1)
19.0074.0.000	3-5 i	14	1	19.0081.6.433	3-63	3	1	19.0082.6.432	3-75	05	(1)
19.0074.4.523	3-31	20	1	19.0081.6.433	3-9 i	29	1	19.0082.6.434	3-39	02**	3
19.0074.4.527	3-23	21	1	19.0081.6.433	3-35	32	(1)	19.0082.6.434	3-71	42	(3)
19.0074.4.536	3-31	23	1	19.0081.6.440	3-9 i	30	1	19.0082.6.442	3-3 i	11	1
19.0074.4.537	3-79	13	(1)	19.0081.6.440	3-35	33	(1)	19.0082.6.445	3-3 i	30	1
19.0074.4.541	3-7 i	6	2	19.0081.6.447	3-75	15	(1)	19.0082.6.446	3-3 i	31	1
19.0074.4.542	3-17	16	1	19.0081.6.447	3-13 i	57	1	19.0082.6.448	3-3 i	12	2
19.0074.4.544	3-3 ACL	18	(1)	19.0081.6.448	3-75	14	(1)	19.0082.6.450	3-3 i	10	1
19.0074.6.216	3-27	03	1	19.0082.1.405	3-75	13	(1)	19.0082.6.451	3-3 i	18	1
19.0074.6.218	3-3 ACL	44	(1)	19.0082.1.409	3-13	03	(1)	19.0083.1.668	3-5 ACL	9	1
19.0074.6.221	3-13 i	51	1	19.0082.1.410	3-13	02	(1)	19.0083.1.681	3-27	14	1
19.0074.6.225	3-37	01	1	19.0082.1.412	3-27	41*	1	19.0083.1.682	3-33	02	1
19.0074.6.226	3-37	12	1	19.0082.1.413	3-59	16	(1)	19.0083.1.683	3-33	03	1
19.0074.6.227	3-37	05	1	19.0082.1.413	3-73	55*	(1)	19.0083.1.686	3-3 ACL	38	3
19.0074.6.228	3-63	34	1	19.0082.1.414	3-11	18	1	19.0083.1.688	3-53	17	1
19.0075.4.404	3-37	02	1	19.0082.2.526	3-59	23	(1)	19.0083.1.688	3-19 i	19	1
19.0081.0.510	3-65	63	1	19.0082.2.526	3-71	12	(1)	19.0083.4.001	3-3 ACL	45	(1)
19.0081.0.516	3-23	02	2	19.0082.2.531	3-13	16	(1)	19.0083.4.009	3-67	2	(1)
19.0081.0.517	3-33	09	2	19.0082.3.404	3-45	12	1	19.0083.4.021	3-37	09	1
19.0081.0.518	3-33	08	2	19.0082.3.407	3-15	09	1	19.0083.4.034	3-59	15	(1)
19.0081.0.519	3-81	28	1	19.0082.3.410	3-57	11	1	19.0083.4.034	3-73	54*	(1)
19.0081.4.444	3-33	32	1	19.0082.3.410	3-71	14	(1)	19.0083.4.035	3-59	17	(1)
19.0081.4.446	3-33	33	2	19.0082.3.410	3-79	08	(1)	19.0083.4.035	3-73	56*	(1)
19.0081.4.448	3-33	34	2	19.0082.3.411	3-27	11	1	19.0083.4.036	3-47	31	(1)
19.0081.4.449	3-3 ACL	3	(1)	19.0082.3.433	3-29	36	2	19.0083.4.036	3-15 i	30	(1)
19.0081.4.450	3-3 ACL	20	(1)	19.0082.3.434	3-71	28	(1)	19.0084.1.613	3-19	46	(1)
19.0081.4.453	3-3 ACL	19	(1)	19.0082.3.435	3-71	25	(1)	19.0084.1.614	3-43	17	1
19.0081.4.454	3-3 ACL	25	(1)	19.0082.3.437	3-75	12	(1)	19.0087.0.420	3-59	09	(1+1*)
19.0081.5.413	3-5 i	19	1	19.0082.3.438	3-75	11	(1)	19.0087.0.424	3-75	04	(1)
19.0081.5.415	3-15	13	1	19.0082.3.439	3-75	10	(1)	19.0087.0.432	3-61	49	1
19.0081.5.418	3-45	17	1	19.0082.3.442	3-59	38	1	19.0087.0.432	3-73	44	(1)
19.0081.5.430	3-81	01	(1)	19.0082.3.445	3-45	9	1	19.0087.0.434	3-61	50*	1
19.0081.5.449	3-81	18	(1)	19.0082.3.447	3-69	12	(1)	19.0087.0.434	3-73	45	(1)
19.0081.5.449	3-9 i	26	2	19.0082.3.448	3-69	19	(1)	19.0087.0.442	3-7 ACL	02	(1)
19.0081.5.449	3-35	31	(2)	19.0082.3.450	3-27	25	1	19.0087.0.443	3-7 ACL	5	(1)
19.0081.5.449	3-75	19	(2)	19.0082.3.453	3-27	20	1	19.0087.0.446	3-63	21	1
19.0081.5.451	3-75	18	(1)	19.0082.3.454	3-69	2	(1)	19.0087.0.446	3-13 i	59	1
19.0081.5.452	3-75	17	(1)	19.0082.3.455	3-3 ACL	10	(1)	19.0087.0.447	3-63	22	1
19.0081.5.453	3-75	16	(1)	19.0082.3.461	3-9	14	1	19.0087.0.447	3-13 i	60	1
19.0081.5.454	3-37	23	1	19.0082.3.462	3-5 i	20	1	19.0094.0.404	3-45	3	1
19.0081.5.460	3-37	13	1	19.0082.3.463	3-61	62	(1)	19.0094.0.410	3-75	03	(1)
19.0081.5.463	3-21	27	1	19.0082.6.420	3-59	27	(1)	19.0094.0.414	3-37	14	1
19.0081.5.472	3-9 i	27	1	19.0082.6.421	3-63	37	1	19.0094.1.400	3-29	05	2
19.0081.5.472	3-13 i	55	1	19.0082.6.421	3-35	34	(1)	19.0094.1.401	3-75	02	(1)

INDEX

PART NUMBER	PAGE	DET	QTY	PART NUMBER	PAGE	DET	QTY	PART NUMBER	PAGE	DET	QTY
19.0094.2.409	3-15	02	7	19.8001.0.009	3-47	26	(1)				
19.0094.2.409	3-27	23	6	19.8001.0.009	3-15 i	26	(1)				
19.0094.2.410	3-51	21	1	24.0061.0.000	3-13	15	(1)				
19.0094.2.410	3-17 i	20	1	24.0097.0.000	3-53	12	(1)				
19.0094.2.412	3-15	01	1	24.0097.0.000	3-19 i	14	(1)				
19.0094.2.412	3-27	18		24.0119.0.050	3-13	17	(1)				
19.0094.2.413	3-37	18	-	24.0170.0.000	3-49	07	3				
19.0094.2.418	3-43	6	1	24.0171.0.000	3-49	08	1				
19.0094.2.419	3-27	30*	1	24.4049.0.000	3-47	42	(2)				
19.0094.2.420	3-69	27	(3)	24.4049.0.000	3-15 i	46	(2)				
19.0094.2.421	3-39	32	1								
19.0094.2.421	3-41	28	(1)								
19.0094.2.421	3-43	1	1								
19.0094.2.422	3-3 i	35	1								
19.0094.5.401	3-15	12	1								
19.0094.5.402	3-15	08	1								
19.0094.5.405	3-27	21	1								
19.0094.5.406	3-27	15	1								
19.0094.5.407	3-27	12	1								
19.0094.5.408	3-27	24	1								
19.0094.5.409	3-27	39	2								
19.0094.5.412	3-15	03	1								
19.0094.5.412	3-27	22									
19.0094.5.412	3-33	24	1								
19.0094.5.413	3-27	04	2								
19.0095.1.401	3-65	59	1								
19.0095.1.402	3-29	06	2								
19.0095.1.405	3-29	13	2								
19.0095.1.405	3-47	20	8								
19.0095.1.405	3-15 i	20	8								
19.0095.1.406	3-61	59	(1)								
19.0095.1.406	3-71	32	(1)								
19.0095.1.408	3-37	03	1								
19.0095.2.403	3-47	05	1								
19.0095.2.403	3-15 i	05	1								
19.0095.2.407	3-5 ACL	10	1								
19.0095.2.408	3-3 ACL	14	(1)								
19.0095.3.405	3-37	06	1								
19.0095.4.401	3-7 i	3	1								
19.0095.4.402	3-7 i	2	1								
19.0095.4.403	3-37	15	1								
19.1301.0.600	4-3	01	1								
19.1301.0.600	4-2	01	1								
19.1303.0.400	4-3	02	1								
19.1303.0.400	4-2	02	1								
19.8000.1.013	3-13	27	1								
19.8001.0.007	3-55	12	1								
19.8001.0.007	3-21 i	12	1								
19.8001.0.008	3-55	02	1								
19.8001.0.008	3-21 i	02	1								

