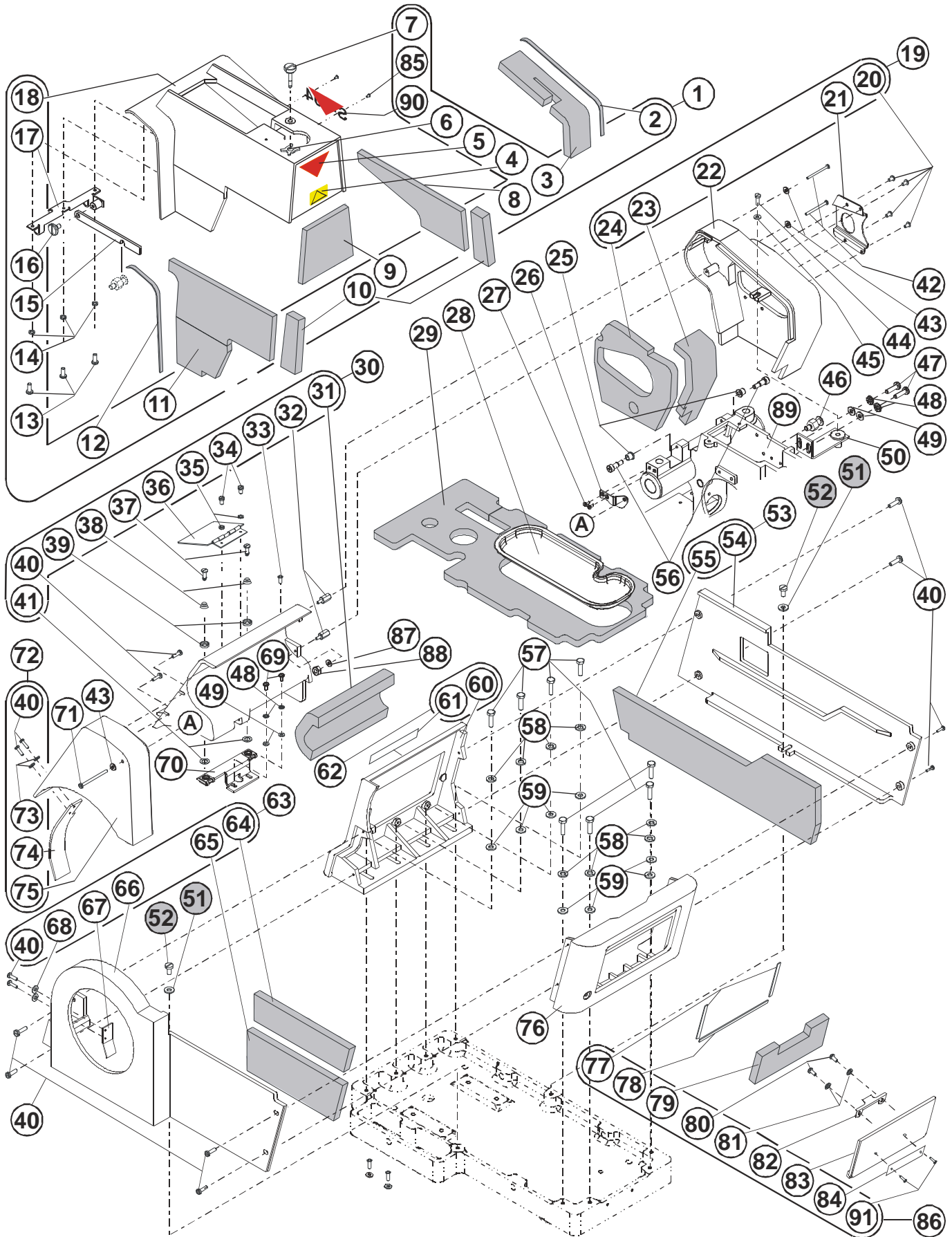


## TABLE OF CONTENTS

---

Covers & Supporting Members .....	3-2
Support Damping & Latching & Thread Handling .....	3-6
Drive Shaft .....	3-8
Main Cam and Brake Band .....	3-10
Starting Lever and Switch Lever Assembly .....	3-12
Combination Lateral Lever .....	3-14
Flybar Control & Turning Sectors & Levers .....	3-16
Race .....	3-18
Thread Take up & Looper Drive .....	3-22
Upper Thread Trimmer .....	3-24
Clamp Yoke Assembly .....	3-26
Clamp Yoke Assembly .....	3-28
Stitch Drive Shaft Assembly .....	3-32
Length Gauge .....	3-34
Stitch Feed .....	3-36
Rocking Lever .....	3-40
Needle Bar Drive and Vibrator .....	3-44
Needle Bar and Gear .....	3-46
Thread Handling .....	3-48
Oiling System .....	3-50
Regular Table .....	3-54
Tools, Supplies & Accessories .....	3-56

# COVERS & SUPPORTING MEMBERS



Revised 08/2011

E-mail: [service@amfreece.cz](mailto:service@amfreece.cz); [parts@amfreece.cz](mailto:parts@amfreece.cz) ; website: [www.amfreece.com](http://www.amfreece.com)  
Phone: +420 582 309 286; Fax: +420 582 360 606

## COVERS & SUPPORTING MEMBERS

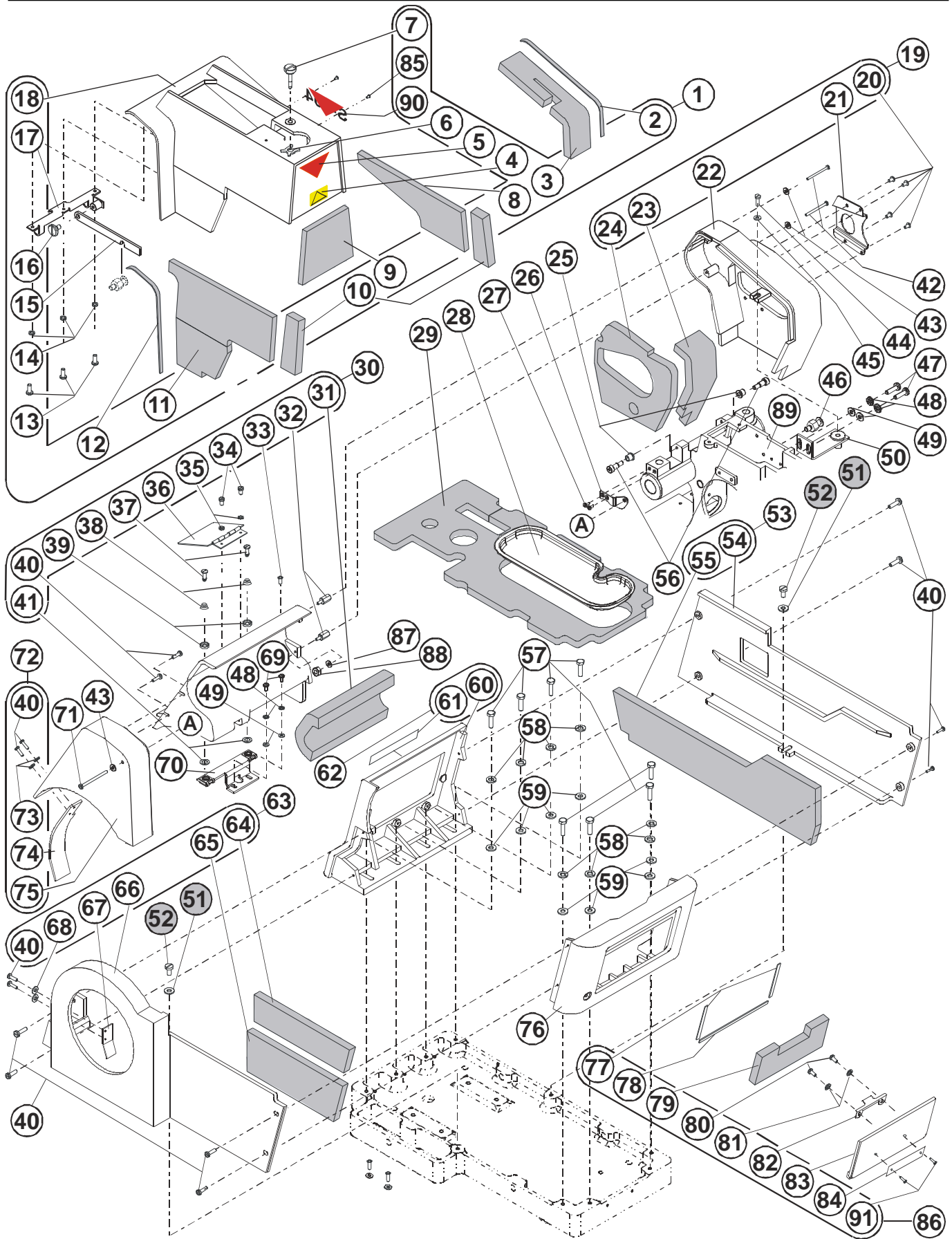
DET	PART NUMBER	DESCRIPTION	QTY.
01	14.0525.0.003	Head Cover	1
02	13.0515.1.001	Gasket 216.0 Head	(1)
03	13.0525.0.907	Acoustic Pad Head	(1)
04	05.4112.0.000	Label	(1)
05	27513603	Label	(1)
06	01.4777.0.000	Washer	(1)
07	13.0511.3.000	Screw	(1)
08	13.0525.0.909	Acoustic Pad Head	(1)
09	13.0525.0.906	Acoustic Pad Head	(1)
10	13.0525.0.905	Acoustic Pad Head	(2)
11	13.0525.0.908	Acoustic Pad Head	(1)
12	13.0515.1.002	Gasket 228.0 Head	(1)
13	01.2241.0.002	Screw	(3)
14	01.4406.0.000	Washer	(3)
15	13.0514.1.000	Latch* Cover	(1)
16	01.1453.0.000	Screw	(1)
17	13.0530.0.000	Hinge Head Cover	(1)
18	14.0525.0.000	Head Cover	(1)
19	14.0523.1.050	R.H. Rear Cover	1
20	01.1661.0.001	Screw	(4)
21	16.1109.0.000	Plate	(1)
22	14.0523.0.000	Cover Head Right	(1)
23	13.0523.0.903	Acoustic Pad	(1)
24	13.0523.0.001	Acoustic Pad	(1)
25	01.7625.0.000	Bushing-Nylon	2
26	See. Page 3-32	L.H. Bracket Assembly	—
27	See. Page 3-32	Screw	—
28	13.5014.0.000	Waste Tray	1
29	13.5015.0.000	Acoustic Pad	1
30	14.0522.1.050	Head Center Cover	1
31	13.0522.1.001	Acoustic Pad	(1)
32	06.0621.0.000	Stand-Off	(2)
33	13.0534.0.000	Oil Inlet	(1)
34	01.2884.0.000	Screw	(2)
35	01.4673.0.000	Lockwasher	(2)
36	14.0517.0.000	Cover	(1)
37	01.6286.0.001	Stud*1/4 Turn	(2)
38	01.5236.0.000	Spring Stud Ejector	(2)
39	01.4305.0.000	Wear Washer	(2)
40	01.2885.0.003	Screw	(2)(2)(2)8
41	01.6285.0.000	Split Ring Retainer	(2)
42	01.2247.0.004	Screw	2
43	01.4781.0.701	Washer*Flat Nylon	3
44	01.2732.0.300	Screw	1
45	01.4549.0.000	Washer	1
46	13.0513.1.000	Stud, Latch	1
47	01.1728.0.401	Screw	2
48	01.4672.0.301	Washer Lock	4
49	01.4412.0.000	Washer	6
50	13.0508.1.000	Bracket - Head Assembly	1

Revised 08/2011

E-mail: [service@amfreece.cz](mailto:service@amfreece.cz); [parts@amfreece.cz](mailto:parts@amfreece.cz) ; website: [www.amfreece.com](http://www.amfreece.com)

Phone: +420 582 309 286; Fax: +420 582 360 606

# COVERS & SUPPORTING MEMBERS



Revised 08/2011

E-mail: [service@amfreece.cz](mailto:service@amfreece.cz); [parts@amfreece.cz](mailto:parts@amfreece.cz) ; website: [www.amfreece.com](http://www.amfreece.com)  
Phone: +420 582 309 286; Fax: +420 582 360 606

## COVERS & SUPPORTING MEMBERS

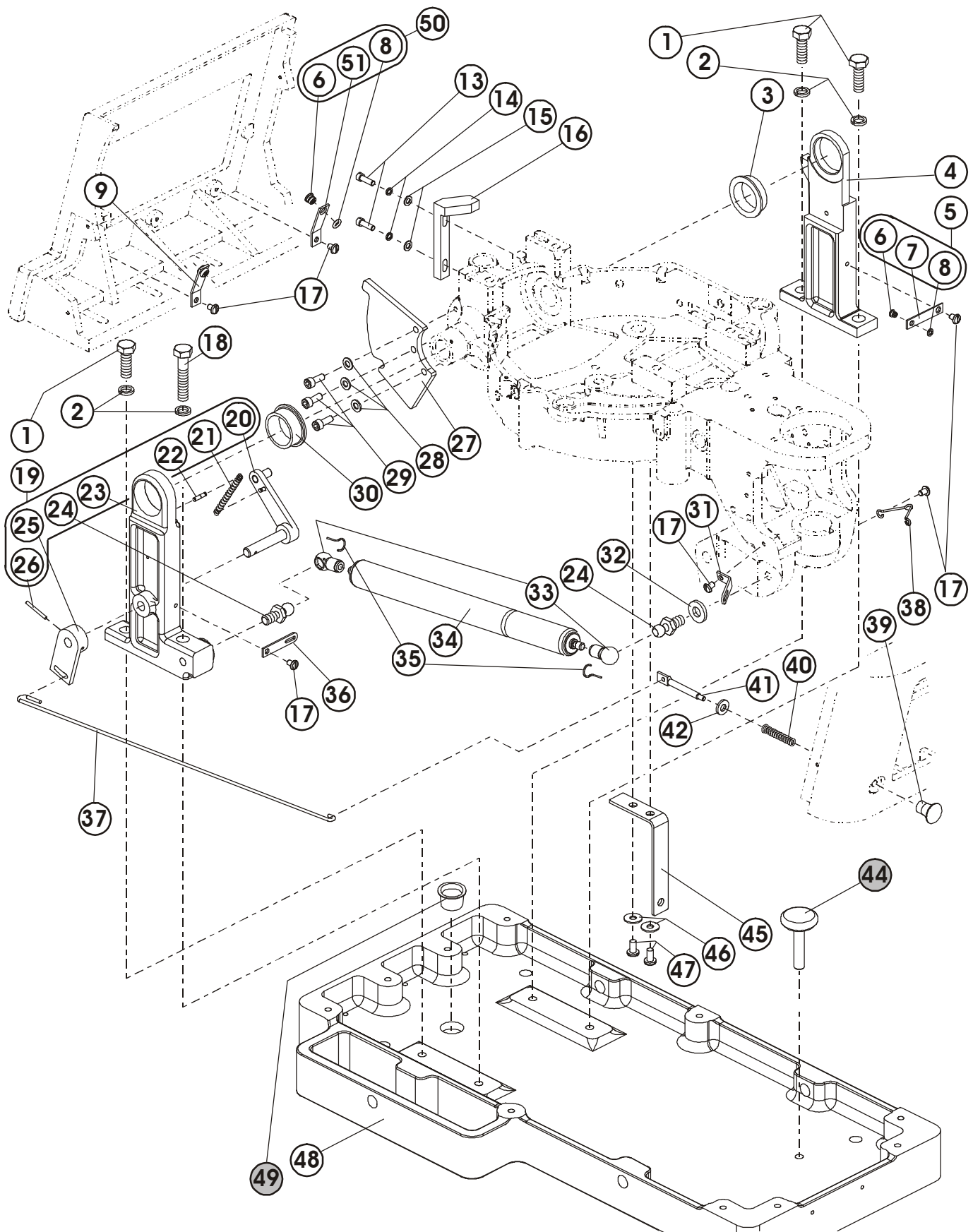
DET	PART NUMBER	DESCRIPTION	QTY.
51	01.4579.0.000	Washer	(2)
52	01.2871.0.000	Screw	(2)
53	14.0527.1.050	Right Base Side Cover	1
54	14.0527.0.000	Cover R.H.	(1)
55	13.0527.0.901	Acoustic Pad	(1)
56	01.1480.0.000	Screw - Shoulder	2
57	01.2845.0.000	Screw	8
58	01.4578.0.000	Lockwasher	8
59	01.4579.0.000	Washer	8
60	14.0530.0.000	Cover Back Base Assembly	(1)
61	01.1393.0.000	Label	(1)
62	14.0530.1.000	Rear Base	1
63	14.0526.1.050	L.H. Base Side Cover	1
64	13.0526.0.902	Acoustic Pad	(1)
65	13.0526.0.903	Acoustic Pad	(1)
66	14.0526.0.000	Cover Back Base	(1)
67	13.0532.0.000	Guard Motor Belt	(1)
68	01.4547.0.000	Washer	(2)
69	01.2816.0.000	Screw	2
70	14.0512.0.000	Bracket Support Assembly	1
71	01.2260.0.603	Screw	1
72	14.0524.1.050	Cover Rear L.H.	1
73	01.4547.0.000	Washer	(2)
74	13.0523.0.000	Belt Guard	(1)
75	14.0524.0.002	Cover Head Left	(1)
76	14.0531.1.000	Front Base	1
77	13.5033.0.001	Gasket 76,0 Front	(2)
78	13.5033.0.002	Gasket 152,0 Front	(1)
79	13.5031.0.901	Acoustic Pad	2+(2)
80	01.2247.0.000	Screw	(2)
81	01.4407.0.000	Screw	(2)
82	13.5032.1.000	Clip	(1)
83	13.5031.1.900	Front Base Panel	(1)
84	12.8000.1.001	Label	(1)
85	08.6962.2.009	Screw	(2)
86	13.5031.0.000	Front Base Panel	1
87	08.6850.4.000	Washer Flat	2
88	01.3402.0.000	Nut	2
89	13.1001.0.050	Head Assembly	1
90	12.8000.1.005	Label S 104	(1)
91	12.1015.0.002	Pin 2-10	(2)

Revised 08/2011

E-mail: [service@amfreece.cz](mailto:service@amfreece.cz); [parts@amfreece.cz](mailto:parts@amfreece.cz) ; website: [www.amfreece.com](http://www.amfreece.com)

Phone: +420 582 309 286; Fax: +420 582 360 606

**SUPPORT DAMPING & LATCHING & THREAD HANDLING**



Revised 08/2011

E-mail: [service@amfreece.cz](mailto:service@amfreece.cz); [parts@amfreece.cz](mailto:parts@amfreece.cz) ; website: [www.amfreece.com](http://www.amfreece.com)  
Phone: +420 582 309 286; Fax: +420 582 360 606

**SUPPORT DAMPING & LATCHING & THREAD HANDLING**

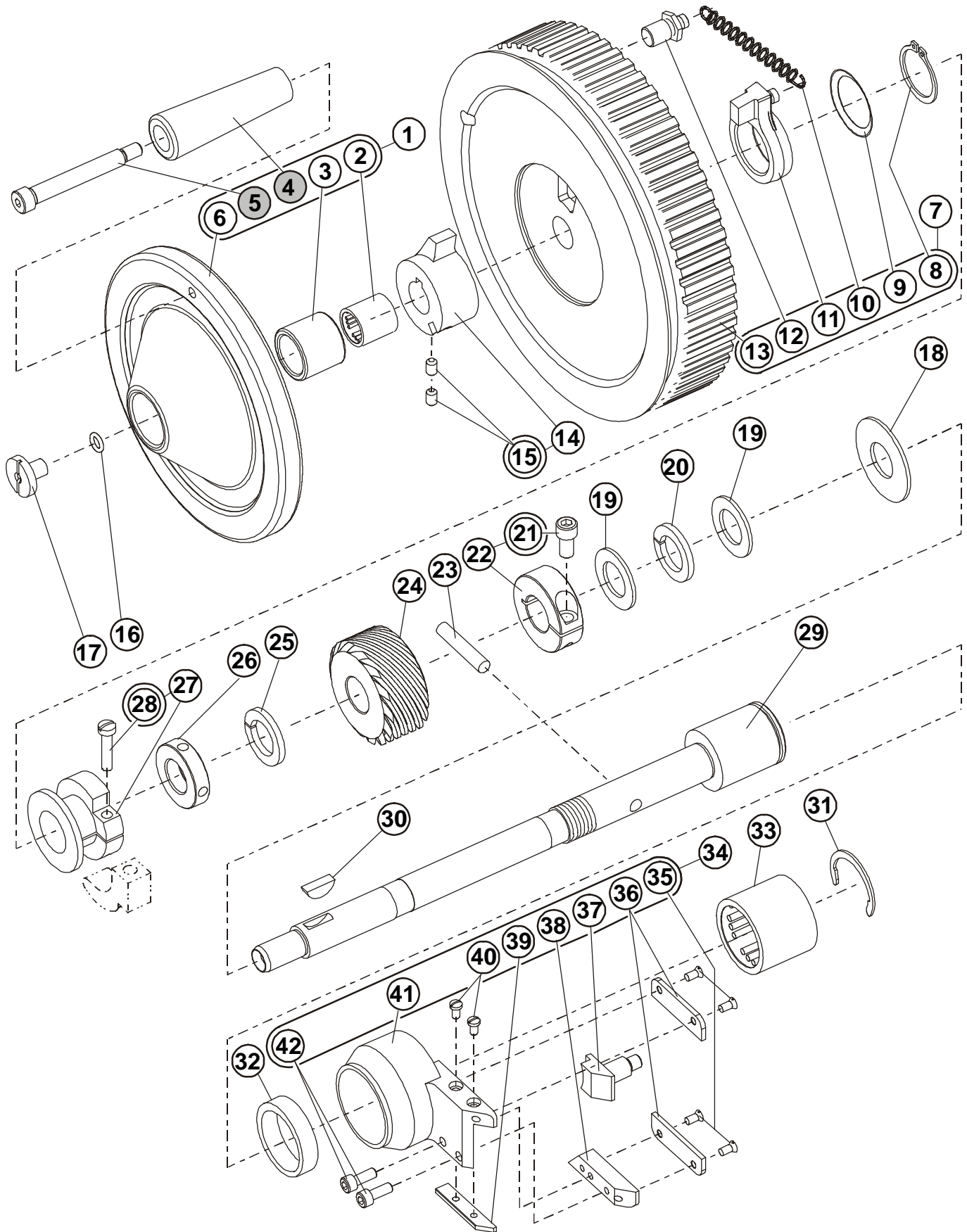
DET	PART NUMBER	DESCRIPTION	QTY.
01	01.2877.0.000	Screw	3
02	01.4581.0.000	Lockwasher	4
03	13.3106.0.002	RH. Bushing	1
04	13.3105.0.000	RH. Cam Case Support	1
05	13.3109.0.002	Line*Guide Thread Assembkly	1
06	01.7447.1.000	Guide	(1)
07	13.3109.0.902	Guide Thread	(1)
08	01.6551.0.000	Ring Retainer	(1)
09	13.3109.3.000	Guide Assembly	1
10	01.6582.0.000	Ring Retainer	(1)+(1)
11	13.3109.0.903	Guide Thread	(1)+(1)
12	01.7447.0.001	Guide	(1)+(1)
13	01.2128.0.000	Screw	2
14	01.4572.0.000	Lockwasher	2
15	01.4412.0.000	Washer	2
16	13.3083.0.000	Support	1
17	01.2247.0.002	Screw	5
18	01.2877.0.003	Screw	1
19	13.3102.0.000	L.H. Cam Case Support Assembly	1
20	13.3103.0.000	Sector Arm Assembly	(1)
21	01.5602.0.000	Pin Spring	(1)
22	01.6831.0.001	Anchor Pin	(1)
23	13.3102.0.901	Support - Cam Case L.H.*MA	(1)
24	07.0086.0.001	Ball Stud	(1)+1
25	13.3104.0.000	Link Arm	(1)
26	01.6569.0.002	Pin - Spring .093 Dia X	(1)
27	13.3107.1.000	Sector	1
28	01.4003.0.000	Lockwasher	3
29	01.2493.0.000	Screw	3
30	13.3106.0.001	L.H. Bushing	1
31	10.3607.1.000	Cord Guide	1
32	01.4701.0.000	Washer	(1)
33	07.0087.0.000	Ball Socket	1
34	07.6481.0.014	Hydraulic Damper	1
35	07.0087.0.001	Spring Sector	2
36	13.3127.0.000	Cord Guide	1
37	13.5024.0.000	Extension Link	1
38	10.4550.0.000	Cord Guide	1
39	04.1791.0.000	Knob	1
40	01.5061.0.000	Spring	1
41	13.5025.1.000	Link	1
42	01.4002.0.000	Washer	1
43	04.1283.0.001	Leveler	1
44	14.3129.0.000	Cord Guide Bracket	1
45	01.4559.0.000	#10 Flat Washer	2
46	01.2886.0.000	Screw 8-32 x .250	2
47	13.5021.1.000	Base	1
48	04.1712.0.000	Red Cap Plug	1
49	13.3109.2.000	Guide Thread	1
50	01.6551.0.000	Ring Retainer	1
51	13.3109.2.901	Guide Thread	1
52	01.7447.1.000	Guide	1

Revised 08/2011

E-mail: [service@amfreece.cz](mailto:service@amfreece.cz); [parts@amfreece.cz](mailto:parts@amfreece.cz) ; website: [www.amfreece.com](http://www.amfreece.com)

Phone: +420 582 309 286; Fax: +420 582 360 606

# DRIVE SHAFT



Revised 08/2011

E-mail: [service@amfreece.cz](mailto:service@amfreece.cz); [parts@amfreece.cz](mailto:parts@amfreece.cz) ; website: [www.amfreece.com](http://www.amfreece.com)  
Phone: +420 582 309 286; Fax: +420 582 360 606



## DRIVE SHAFT

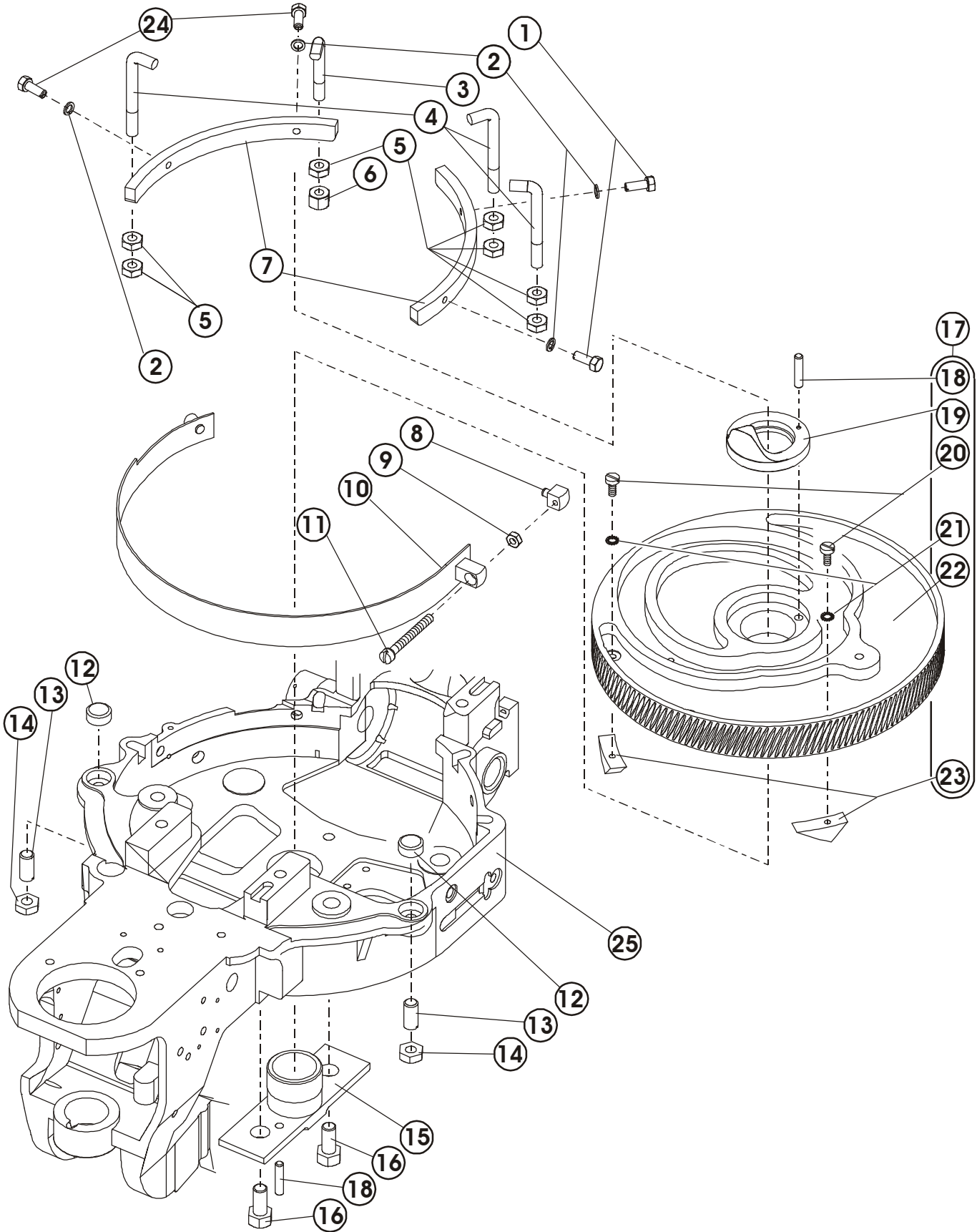
DET	PART NUMBER	DESCRIPTION	QTY.
01	13.3101.2.000	Handwheel Assembly	1
02	01.7653.0.000	Clutch Roller Bearing	(1)
03	01.7722.0.000	Sleeve	(1)
04	13.3101.2.002	Handle	(1)
05	01.1470.0.000	Screw	(1)
06	13.3101.2.001	Handwheel	(1)
07	13.3039.1.050	Wheel - Cutting Assembly	1
08	01.6422.0.005	Retainig Ring	(1)
09	01.4764.0.000	Washer	(1)
10	01.5017.0.000	Spring	(1)
11	10.3042.0.000	Dog Strike	(1)
12	10.3040.1.000	Anchor Stud	(1)
13	13.3039.1.000	Cutting Wheel	(1)
14	13.3123.0.000	Drive Hub	1
15	01.1568.0.001	Screw	(2)
16	01.4482.0.000	O-Ring	1
17	13.3117.0.000	Screw	1
18	01.4905.0.000	Washer	1
19	01.4747.0.000	Washer	2
20	01.4009.0.001	Lock Washer	1
21	03.6000.1.208	Screw	(1)
22	01.7668.0.000	Collar	2
23	10.3051.0.000	Drive Pin	1
24	10.3050.0.000	Worm Gear	1
25	01.4009.0.000	Lock Washer	1
26	10.3049.0.000	Collar	1
27	10.3045.0.000	Shifter Spool	1
28	01.2035.0.000	Screw	(1)
29	14.3047.0.801	Worm Shift	1
30	01.8007.0.001	Key	1
31	01.6970.0.000	Retaining Ring	1
32	01.7040.0.000	Collar	1
33	12.2090.0.003	Bearing	(1)
34	14.3100.1.050	Feed Clutch Assembly	1
35	01.2075.0.000	Screw	5
36	10.3080.0.000	Outer Plate	(2)
37	13.3079.0.000	Slide Stud	(1)
38	14.3101.0.000	Wear Plate	(1)
39	10.3082.0.000	Inner Plate	(1)
40	01.2008.0.000	Screw	(2)
41	14.3100.0.901	Feed Clutch	(1)
42	01.2436.0.000	Screw	(2)

Revised 08/2011

E-mail: [service@amfreece.cz](mailto:service@amfreece.cz); [parts@amfreece.cz](mailto:parts@amfreece.cz) ; website: [www.amfreece.com](http://www.amfreece.com)

Phone: +420 582 309 286; Fax: +420 582 360 606

# MAIN CAM AND BRAKE BAND



Revised 08/2011

E-mail: [service@amfreece.cz](mailto:service@amfreece.cz); [parts@amfreece.cz](mailto:parts@amfreece.cz) ; website: [www.amfreece.com](http://www.amfreece.com)  
Phone: +420 582 309 286; Fax: +420 582 360 606

**MAIN CAM AND BRAKE BAND**

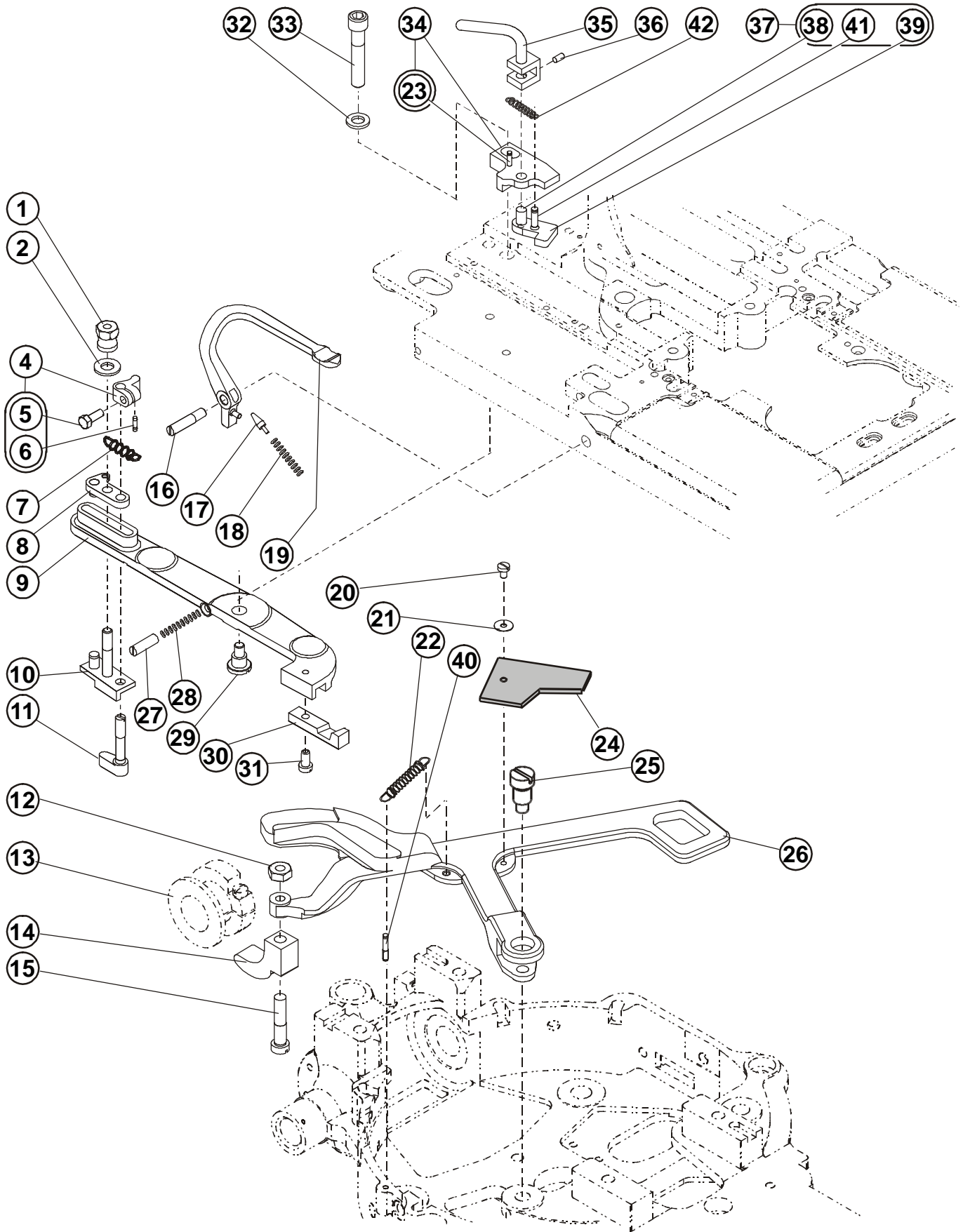
DET	PART NUMBER	DESCRIPTION	QTY.
01	01.2386.0.000	Screw	2
02	01.4672.0.002	Washer	4
03	10.3066.0.008	Short Hook	1
04	10.3066.0.011	Long Hook	3
05	01.3007.0.000	Nut	6
06	01.3059.0.000	Nut	1
07	10.3035.1.000	Hold Down Gib	2
08	01.6345.0.000	Lug	1
09	01.3005.0.000	Nut	1
10	10.3036.0.000	Brake Band	1
11	01.2033.0.000	Screw	1
12	10.3028.0.000	Button	2
13	01.2067.0.000	Adjustments Screw	2
14	01.3015.0.000	Nut	2
15	10.3027.0.000	Cam Center	1
16	01.2031.0.000	Screw	2
17	14.3064.0.830	Main Cam Assembly	1
18	12.1010.0.516	Pin	1+(1)
19	13.3062.1.000	Cam - Cutting* CB/CA	(1)
20	01.2347.0.000	Screw	(2)
21	01.4061.0.000	Washer	(2)
22	14.3064.0.001	Main Cam	(1)
23	13.3061.0.300	Wedge - Clamping CB/CA	(2)
24	01.2388.0.000	Screw	2
25	13.3001.0.000	Cam Case	1

Revised 08/2011

E-mail: [service@amfreece.cz](mailto:service@amfreece.cz); [parts@amfreece.cz](mailto:parts@amfreece.cz) ; website: [www.amfreece.com](http://www.amfreece.com)

Phone: +420 582 309 286; Fax: +420 582 360 606

# STARTING LEVER AND SWITCH LEVER ASSEMBLY

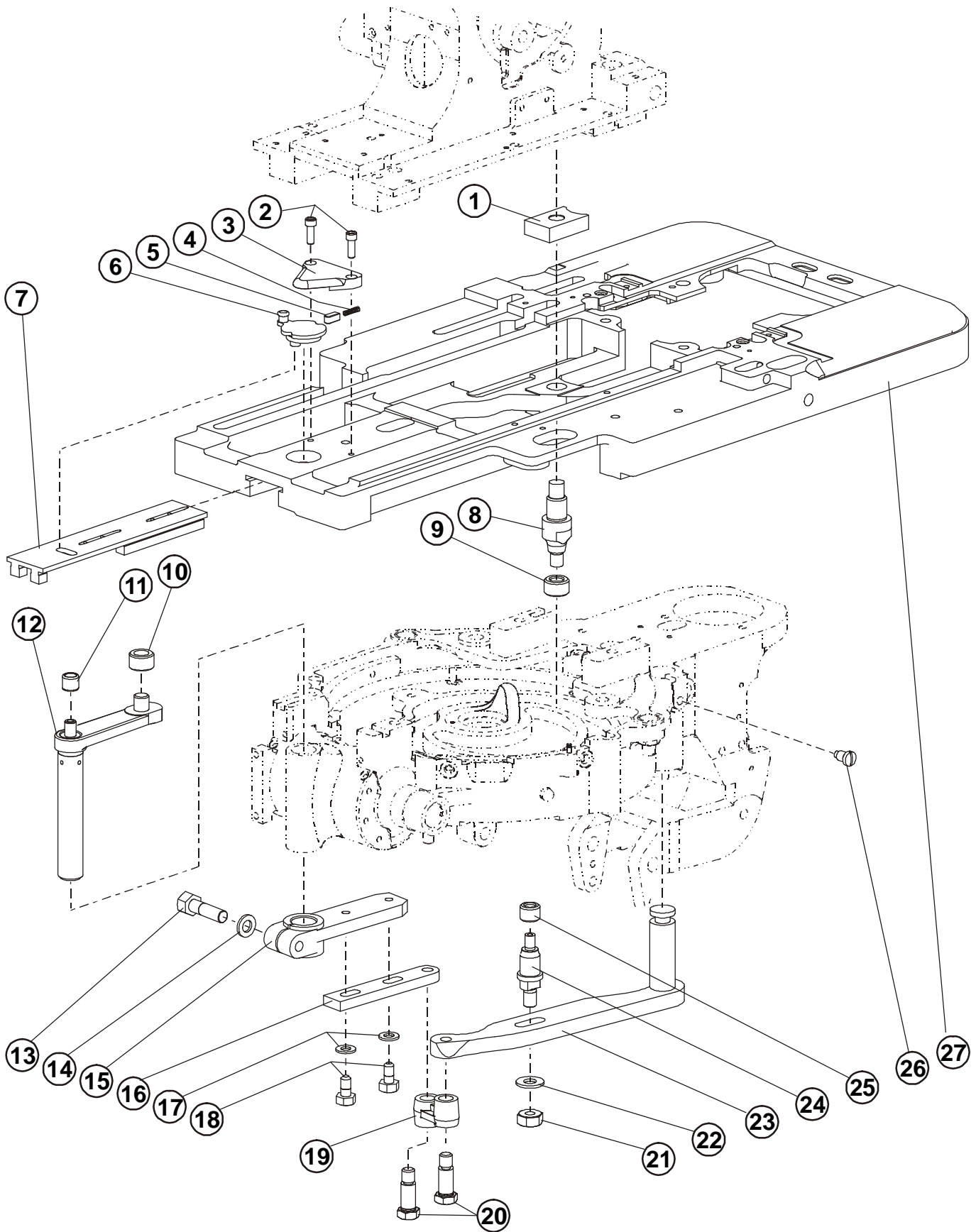


Revised 08/2011

E-mail: [service@amfreece.cz](mailto:service@amfreece.cz); [parts@amfreece.cz](mailto:parts@amfreece.cz) ; website: [www.amfreece.com](http://www.amfreece.com)  
Phone: +420 582 309 286; Fax: +420 582 360 606



# COMBINATION LATERAL LEVER



Revised 08/2011

E-mail: [service@amfreece.cz](mailto:service@amfreece.cz); [parts@amfreece.cz](mailto:parts@amfreece.cz) ; website: [www.amfreece.com](http://www.amfreece.com)  
Phone: +420 582 309 286; Fax: +420 582 360 606

## COMBINATION LATERAL LEVER

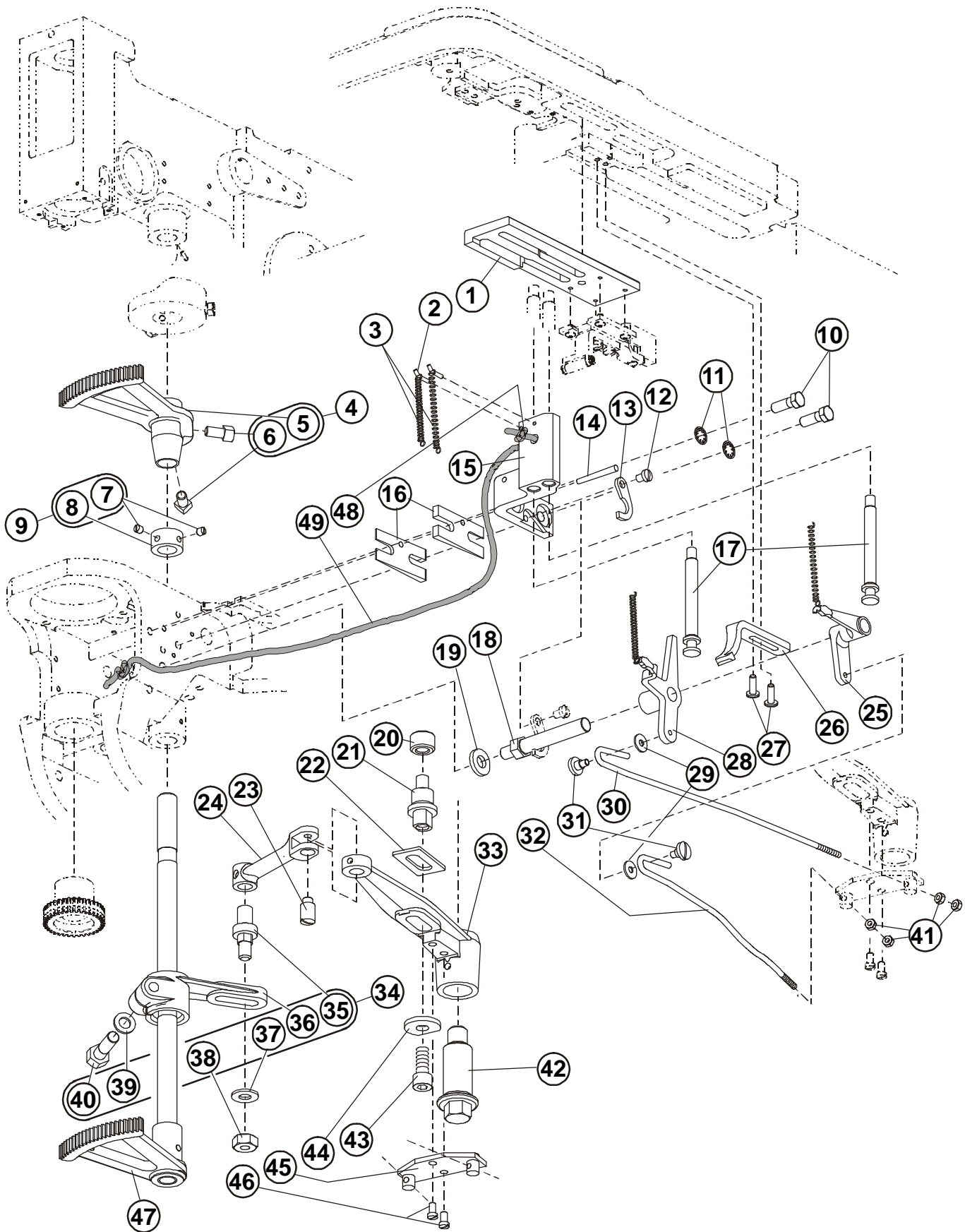
DET	PART NUMBER	DESCRIPTION	QTY.
01	10.3033.0.017	Block	1
02	01.2412.0.000	Screw	2
03	10.2258.0.000	Cover	1
04	01.5172.0.000	Spring	1
05	10.2259.0.000	Plunger	1
06	10.2257.0.000	Shifter	1
07	10.2260.0.001	Guide Plate*7mm	1
08	10.2006.2.000	Bedplate Stud	1
09	10.2007.0.000	Roll	1
10	01.7043.0.000	Roll	1
11	01.7023.0.000	Roll	1
12	10.3034.0.258	Upper Lateral Lever* AF	1
13	01.2016.0.000	Screw	1
14	01.4522.0.000	Washer	1
15	10.3019.1.006	Lower Lateral Lever* AF	1
16	10.3300.0.006	Lower Lateral Extension	1
17	01.4063.0.000	Washer	2
18	01.2085.0.000	Screw	2
19	10.3302.0.000	Link	1
20	10.3301.1.006	Screw	2
21	01.3013.0.000	Nut	1
22	01.4005.0.000	Washer	1
23	10.3303.0.000	Combination Lever	1
24	10.3020.0.006	Stud AF	1
25	01.7004.0.000	Roll	1
26	01.2324.0.000	Screw	1
27	14.2001.0.250	Bedplate	1

Revised 08/2011

E-mail: [service@amfreece.cz](mailto:service@amfreece.cz); [parts@amfreece.cz](mailto:parts@amfreece.cz) ; website: [www.amfreece.com](http://www.amfreece.com)

Phone: +420 582 309 286; Fax: +420 582 360 606

# FLYBAR CONTROL & TURNING SECTORS & LEVERS



Revised 08/2011

E-mail: [service@amfreece.cz](mailto:service@amfreece.cz); [parts@amfreece.cz](mailto:parts@amfreece.cz) ; website: [www.amfreece.com](http://www.amfreece.com)  
Phone: +420 582 309 286; Fax: +420 582 360 606



**FLYBAR CONTROL & TURNING SECTORS & LEVERS**

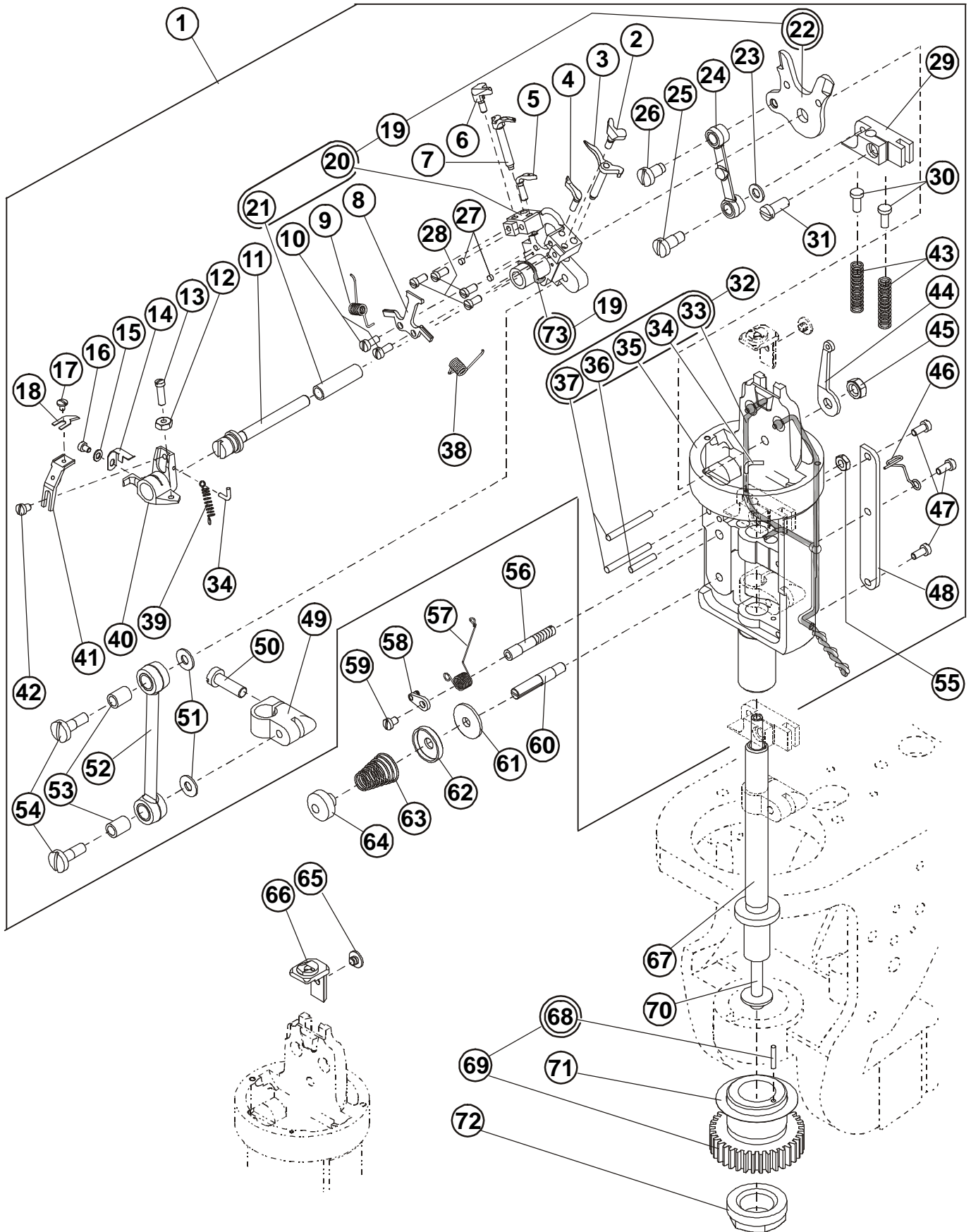
DET	PART NUMBER	DESCRIPTION	QTY.
01	10.2255.2.150 10.2255.3.200	Cam Plate * Flybar CA Cam Plate * Flybar CB	1
02	01.6982.0.001	Pin	2
03	01.5054.0.000	Spring	2
04	10.1075.1.051	Line*Uper Sector Lever Assembly	1
05	10.1075.1.000	Upper Sector	(1)
06	01.2014.0.000	Screw	(2)
07	01.2028.0.000	Screw	(2)
08	10.3010.0.000	Collar	(1)
09	10.3010.0.051	Line*Collar Assembly	1
10	01.2088.0.000	Screw	2
11	01.4046.0.000	Lockwasher	2
12	01.2006.0.000	Screw	1
13	10.3262.0.250	Latch	1
14	01.6031.0.000	Taper Pin	1
15	14.3251.1.000	Bracket	1
16	10.3250.1.000	Spacer	2
17	10.3252.1.000	Pin	2
18	01.1447.0.000	Stud AF	1
19	01.4701.0.000	Washer	1
20	10.3018.0.000	Roll*CA	1
21	14.3017.0.000	Sector Stud	1
22	14.3015.0.802	Plate	1
22	10.3026.0.000	Stud	1
24	10.3012.0.000	Link	1
25	10.3254.0.000	RH. Actuator Pin	1
26	10.2256.0.000	Bracket	1
27	01.2043.0.000	Screw	2
28	10.3253.0.000	Actuator	1
29	01.4472.0.000	Washer	2
30	11.3259.0.001	R.H. Wire Rod	1
31	01.1432.0.000	Screw	2
32	11.3259.0.002	L.H. Wire Rod	1
33	14.3015.0.000	Sector Lever	1
34	10.3011.0.051	LineShort Sector Lever Assembly	1
35	10.3013.0.000	Short Sector Lever Stud	(1)
36	10.3011.0.000	Short Sector Lever	(1)
37	01.4005.0.000	Washer	1
38	01.3013.0.000	Nut	(1)
39	01.4522.0.000	Washer	1
40	01.2016.0.000	Screw	(1)
41	08.6707.1.000	Nut	4
42	10.3016.0.000	Pivot Stud	4
43	01.1594.0.000	Screw	1
44	01.4154.0.000	Washer	1
45	10.3258.0.000	Wire Bracket	1
46	01.2079.0.000	Screw	2
47	10.3009.0.000	Lower Sector Assembly	1
48	07.0400.0.003	Wick	1
49	07.0400.0.007	Wick	1

Revised 08/2011

E-mail: [service@amfreece.cz](mailto:service@amfreece.cz); [parts@amfreece.cz](mailto:parts@amfreece.cz) ; website: [www.amfreece.com](http://www.amfreece.com)

Phone: +420 582 309 286; Fax: +420 582 360 606

# RACE



Revised 08/2011

E-mail: [service@amfreece.cz](mailto:service@amfreece.cz); [parts@amfreece.cz](mailto:parts@amfreece.cz) ; website: [www.amfreece.com](http://www.amfreece.com)  
Phone: +420 582 309 286; Fax: +420 582 360 606

## RACE

DET	PART NUMBER	DESCRIPTION	QTY.
01	14.4001.0.151	Race Assembly * AF/CA 104	1
02	10.4006.0.000	R.H. Spreader Stop	(1)
03	14.4008.1.000	R.H. Spreader	(1)
04	14.4004.0.000	Blind Looper	(1)
05	14.4005.0.030	Eye Looper	(1)
06	10.4007.0.000	L.H. Spreader Stop	(1)
07	14.4009.1.000	L.H. Spreader	(1)
08	10.4010.2.000	Needle Guard	(1)
09	01.5620.0.000	L.H. Spring	(1)
10	01.2073.0.000	Screw	(2)
11	14.4201.0.000	Stud	(1)
12	01.3025.0.000	Nut	(1)
13	01.2361.0.000	Screw	(1)
14	10.4203.0.000	Retaining Spring	(1)
15	01.4015.0.000	Washer	(1)
16	01.2318.0.000	Screw	(1)
17	01.2667.0.000	Screw	(1)
18	14.1197.1.000	Trimmer Knife	(1)
19	14.9008.0.050	Looper Carrier/Spreader Wedge Assembly CB	(1)
20	14.4002.0.000	Looper Carrier	((1))
21	10.4003.0.000	Bushing	((1))
22	14.4011.0.200	Spreader Wedge S101	((1))
23	01.4012.0.000	Washer	(1)
24	14.4015.1.000	Spreader Link	(1)
25	10.4016.0.000	Screw	(1)
26	10.4017.0.000	Screw	(1)
27	10.4039.0.000	Felt Pad	(2)
28	01.2001.0.000	Screw	(4)
29	10.4018.0.000	Crosshead Spreader	(1)
30	10.4019.0.000	Pin	(2)
31	01.2059.0.000	Screw	(1)
32	14.4001.0.150	Race Assembly*AF-CA	(1)
33	07.0401.0.009	Wick	((1))
34	12.1010.0.012	Pin	(1+(1))
35	14.4001.0.904	Race	((1))
36	01.6013.0.000	Pin	((1))
37	01.6018.0.000	Pin	((2))
38	01.5619.0.000	R.H. Spring	(1)
39	01.5041.0.000	Spring	(1)
40	10.4202.0.000	Trimmer Holder	(1)
41	10.1198.1.000	Knife Holder	(1)
42	01.2081.0.000	Screw	(1)
43	01.5026.0.000	Spring	((2))
44	10.4035.0.000	Cord Guide	(1)
45	01.3005.0.000	Nut	(1)
46	05.1368.0.000	Guide Thread	(1)
47	01.2073.0.000	Screw	(3)
48	10.4026.0.000	Crosshead Guide	(1)
49	10.4021.0.000	Crosshead Looper	(1)
50	01.2024.0.000	Screw	(1)

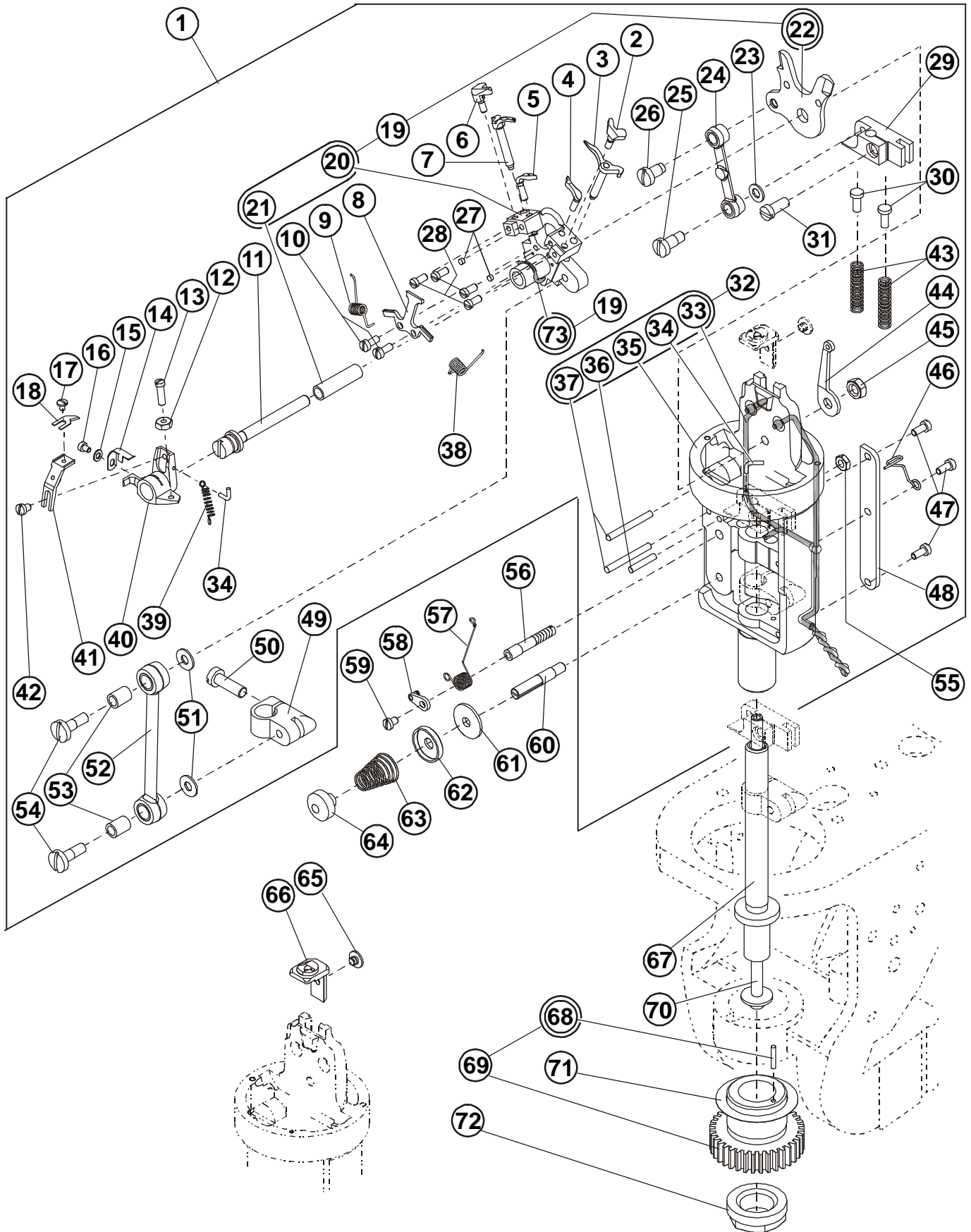
Revised 08/2011

E-mail: [service@amfreece.cz](mailto:service@amfreece.cz); [parts@amfreece.cz](mailto:parts@amfreece.cz) ; website: [www.amfreece.com](http://www.amfreece.com)

Phone: +420 582 309 286; Fax: +420 582 360 606



# RACE



Revised 08/2011

E-mail: [service@amfreece.cz](mailto:service@amfreece.cz); [parts@amfreece.cz](mailto:parts@amfreece.cz) ; website: [www.amfreece.com](http://www.amfreece.com)  
Phone: +420 582 309 286; Fax: +420 582 360 606

**RACE**



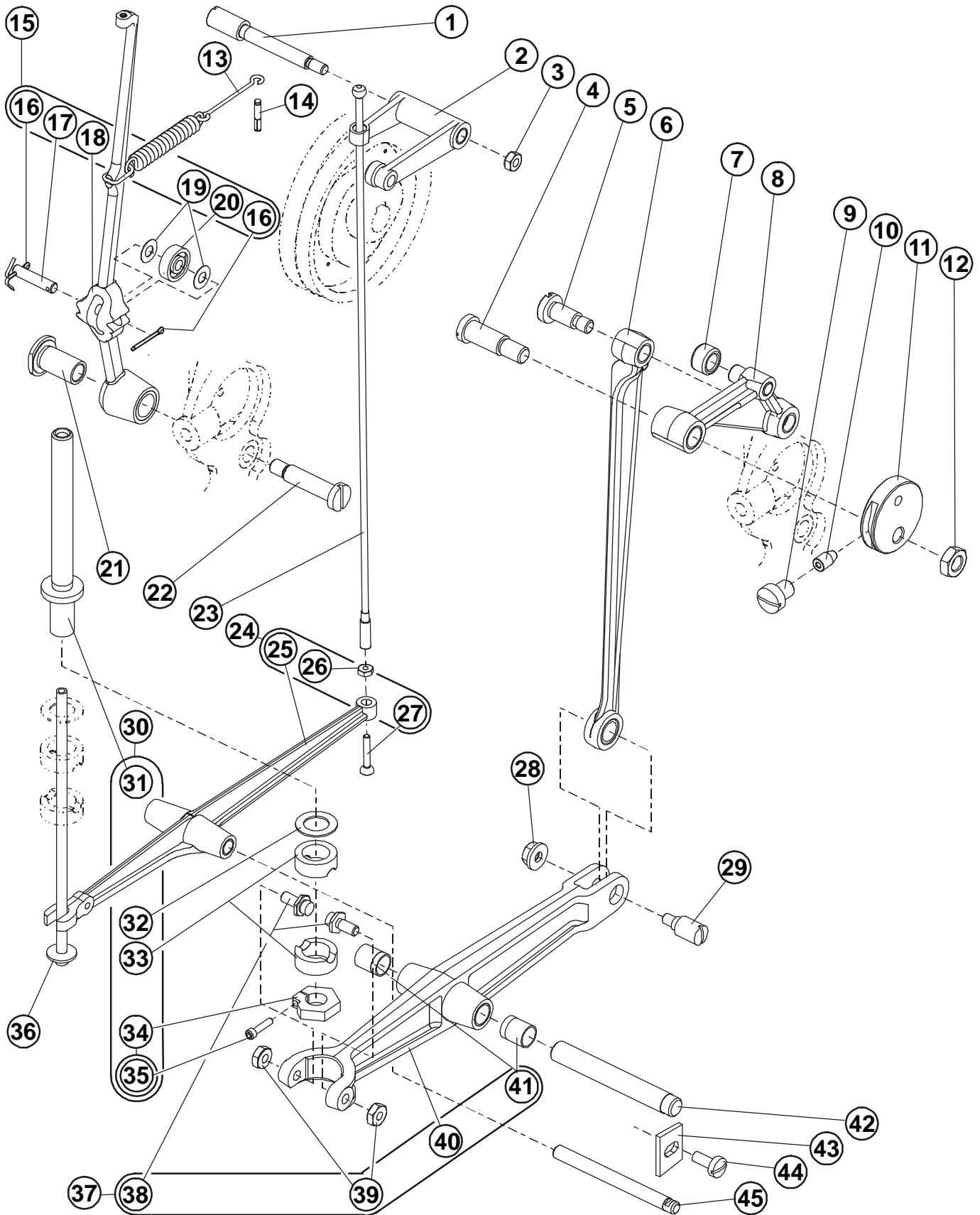
DET	PART NUMBER	DESCRIPTION	QTY.
51	01.4013.0.000	Washer	(2)
52	14.4013.1.000	Looper Link	(1)
53	01.7022.0.000	Bushing	(2)
54	01.1006.0.000	Screw	(2)
55	01.3001.0.000	Nut	1
56	10.4037.0.000	Stud	1
57	01.5027.0.000	Check Spring	1
58	10.4036.0.000	Check.Spring Arm	1
59	01.2081.0.000	Screw	1
60	10.4029.0.000	Stud	1
61	10.4032.0.000	Thin Disc	1
62	10.4031.0.000	Heavy Disc	1
63	01.5028.0.000	Spring	1
64	10.4030.0.000	Nut	1
65	01.2056.0.000	Screw	1
66	10.4012.0.004	Throat /Plate* AF-CB/CA-R-RE	1
67	See Page 3-22	Spreader Spindle	—
68	01.6004.0.000	Pin	(1)
69	14.4025.0.901	Gear	1
70	See Page 3-22	Spindle Looper	—
71	01.4081.0.005	Shim (.005")	1
	01.4081.0.006	Shim (.006")	
	01.4081.0.008	Shim (.008")	
	01.4081.0.009	Shim (.009")	
	01.4081.0.010	Shim (.010")	
	01.4081.0.011	Shim (.011")	
	01.4081.0.012	Shim (.012")	
72	01.3018.0.000	Nut	1
73	07.0401.0.000	Wick	1

Revised 08/2011

E-mail: [service@amfreece.cz](mailto:service@amfreece.cz); [parts@amfreece.cz](mailto:parts@amfreece.cz) ; website: [www.amfreece.com](http://www.amfreece.com)

Phone: +420 582 309 286; Fax: +420 582 360 606

# THREAD TAKE UP & LOOPER DRIVE



Revised 08/2011

E-mail: [service@amfreece.cz](mailto:service@amfreece.cz); [parts@amfreece.cz](mailto:parts@amfreece.cz) ; website: [www.amfreece.com](http://www.amfreece.com)  
Phone: +420 582 309 286; Fax: +420 582 360 606

**THREAD TAKE UP & LOOPER DRIVE**

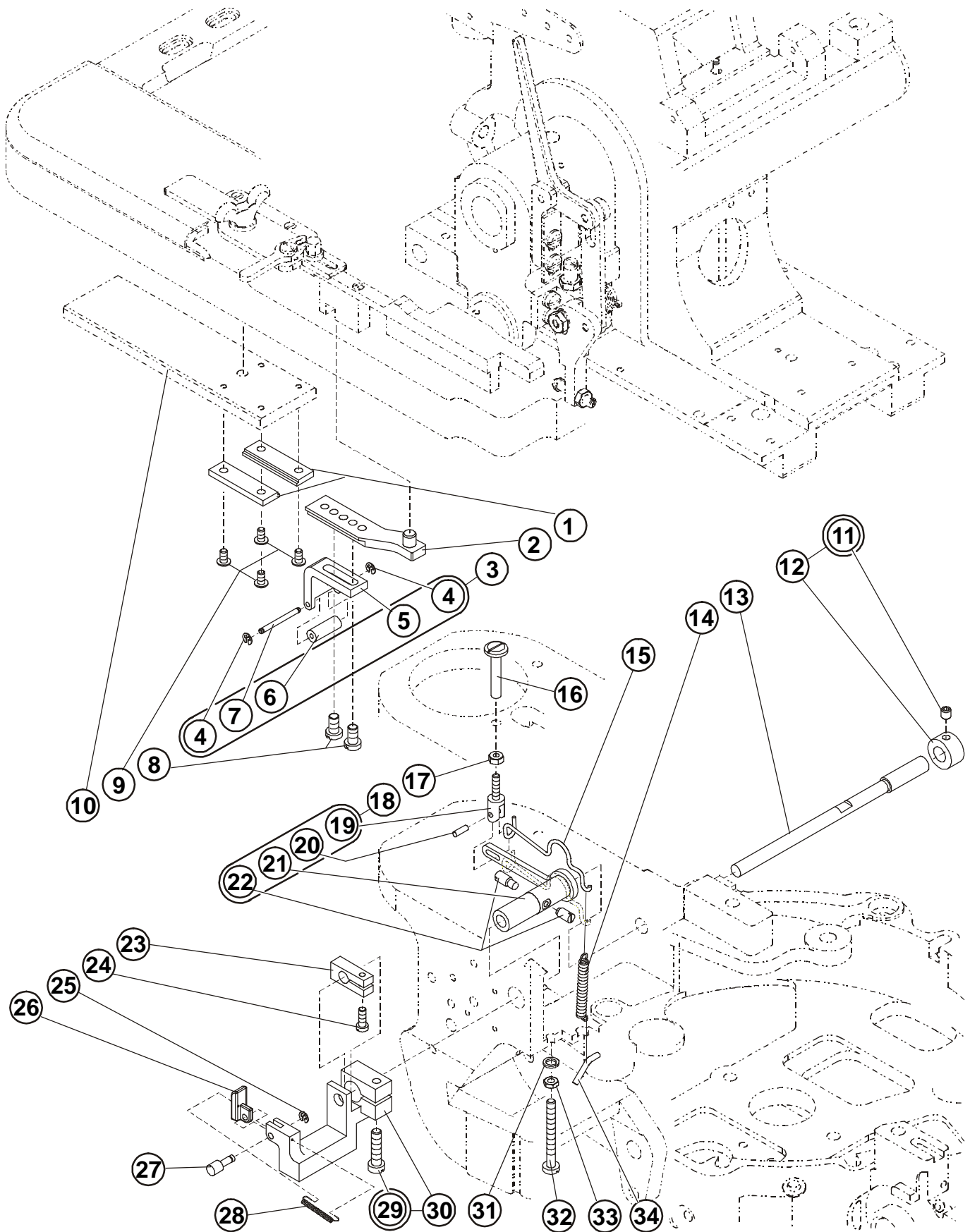
DET	PART NUMBER	DESCRIPTION	QTY.
01	14.1059.0.000	Pivot Pin	1
02	14.1058.0.000	Cam Follower	1
03	01.3005.0.000	Nut	1
04	01.1151.0.000	Screw	1
05	10.1066.2.000	Shoulder Screw	1
06	14.1067.0.000	Looper Link	1
07	10.1122.0.998	Roll (No.1) 12,710	1
	10.1122.0.999	Roll (No.2) 12,705	
	10.1122.0.997	Roll 12,954 Oversize	
08	14.1064.2.000	Looper Cam Follower Assembly	1
09	01.2063.0.000	Screw	1
10	10.1062.0.000	Jam Plug	1
11	14.1026.0.000	Core Disc	1
12	01.3400.0.000	Nut	1
13	01.5005.0.001	Spring Assembly	1
14	17.0031.1.401	Pin	1
15	14.1236.0.000	Take-Up Lever Assembly	1
16	10.1053.0.000	Cotter Pin	(2)
17	13.1052.0.001	Stud	(1)
18	—————	Take-Up Lever	(1)
19	01.4751.0.000	Washer	(2)
20	01.7630.0.001	Ball Bearing	(1)
21	10.1054.0.000	Pivot Bushing	1
22	10.1055.0.000	Pivot Screw	1
23	10.1060.2.000	Spreader Link	1
24	14.3004.0.051	Spreader Rocker Assembly	1
25	14.3004.0.000	Spreader Rocker	(1)
26	01.3025.0.000	Nut	(1)
27	10.1061.1.000	Bolt Tip	(1)
28	01.3010.0.000	Nut	1
29	10.3008.0.000	Screw	1
30	14.4022.0.051	Line Spindle Looper Assembly	1
31	14.4022.0.000	Spindle – Looper	(1)
32	01.4010.0.000	Washer	(1)
33	10.4024.0.000	Bearing Ring	(1)
34	14.4023.0.000	Adjustable –Collar	(1)
35	01.2419.0.001	Screw	((1))
36	10.4020.0.000	Spreader Spindle	1
37	14.3006.0.201	Looper Rocker Assembly *CB	1
38	10.3007.0.000	Bearing	(2)
39	01.3020.0.000	Nut	(2)
40	10.3006.0.090	Lever	(1)
41	01.7309.0.901	Bearing	(2)
42	14.3005.0.000	Pivot Pin	1
43	10.3002.0.000	Locking Plate	1
44	01.2041.0.000	Screw	1
45	14.3003.0.000	Pivot Pin	1

Revised 08/2011

E-mail: service@amfreece.cz; parts@amfreece.cz ; website: www.amfreece.com

Phone: +420 582 309 286; Fax: +420 582 360 606

# UPPER THREAD TRIMMER



Revised 08/2011

E-mail: [service@amfreece.cz](mailto:service@amfreece.cz); [parts@amfreece.cz](mailto:parts@amfreece.cz) ; website: [www.amfreece.com](http://www.amfreece.com)  
Phone: +420 582 309 286; Fax: +420 582 360 606



**UPPER THREAD TRIMMER**

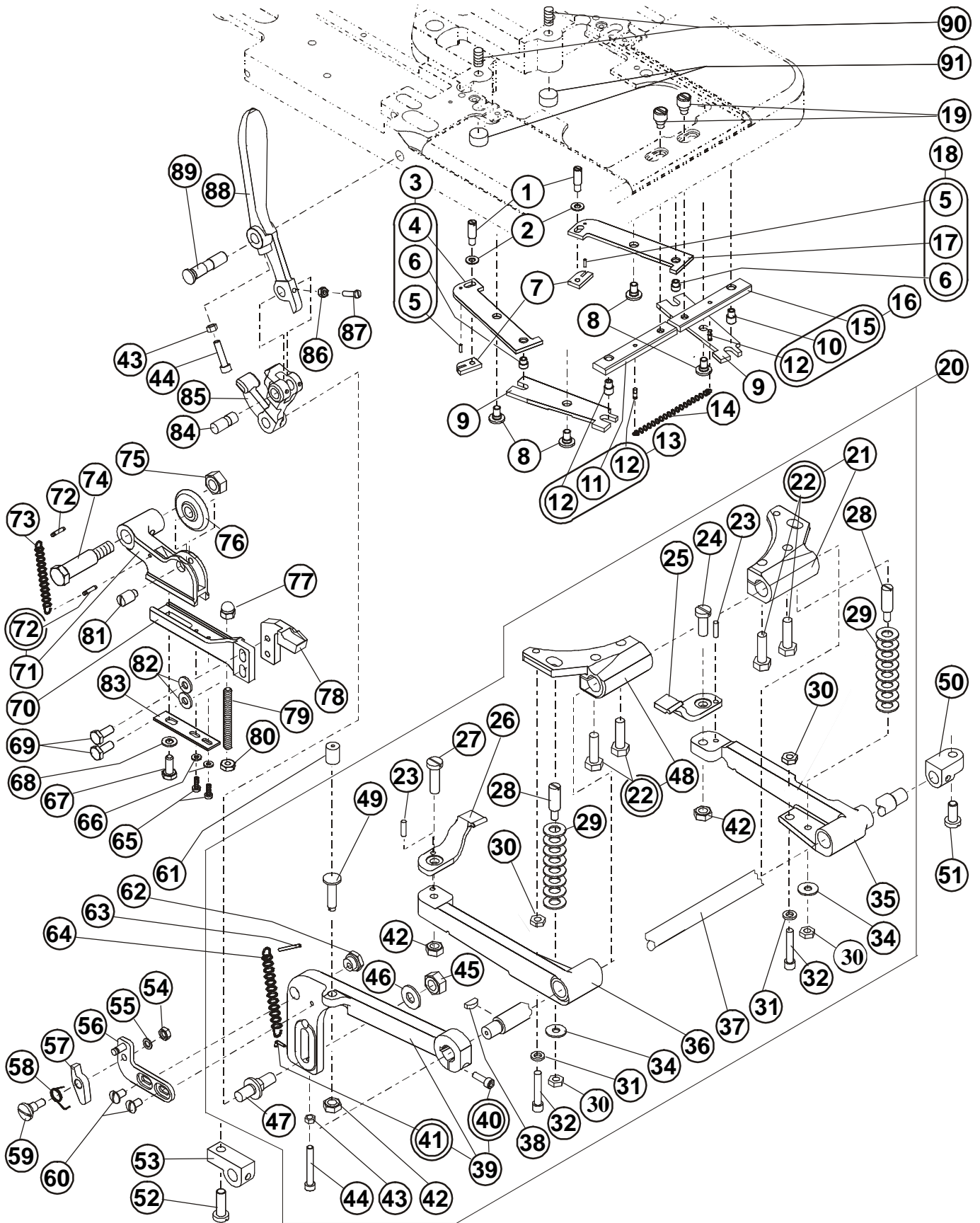
DET	PART NUMBER	DESCRIPTION	QTY.
01	10.2264.0.000	Rail	2
02	10.2263.0.000	Link	1
03	14.2069.0.050	Trip Bracket Assembly	1
04	01.6280.0.000	Retaining Ring	(2)
05	14.2069.0.000	Trip Bracket	(1)
06	14.2069.0.802	Trip Roller	(1)
07	01.6612.0.000	Pin	(1)
08	01.2175.0.000	Screw	2
09	01.2131.0.000	Screw	4
10	See Page 3-16	Cam Plate	—
11	01.7435.1.000	Collar+Screw	1
12	—————	Screw	(1)
13	14.5019.0.000	Upper Thread Trimmer Shaft	1
14	01.5134.0.000	Spring	1
15	10.3086.0.000	Spring Hook Lever*AF	1
16	10.3206.0.000	Actuator	(1)
17	01.3016.0.000	Nut	(1)
18	14.3085.1.050	Trimming Lever Assembly* AF	1
19	10.3205.0.000	Clevis	(1)
20	01.6010.0.000	Pin	(1)
21	—————	Trimming Lever Assembly	(1)
22	10.3203.0.000	Stop Block	(2)
23	14.3088.0.000	Clamp	1
24	01.2144.0.000	Screw	1
25	01.6368.0.000	Retaining Ring	1
26	10.3089.2.000	Latch	1
27	01.6528.0.000	Pivot	1
28	01.5433.0.000	Spring	1
29	01.2171.0.000	Screw	(1)
30	14.3087.0.000	Actuator	1
31	01.4407.0.000	Washer	1
32	01.2247.0.004	Screw	1
33	01.3001.0.000	Nut	1

Revised 08/2011

E-mail: [service@amfreece.cz](mailto:service@amfreece.cz); [parts@amfreece.cz](mailto:parts@amfreece.cz) ; website: [www.amfreece.com](http://www.amfreece.com)

Phone: +420 582 309 286; Fax: +420 582 360 606

# CLAMP YOKE ASSEMBLY



Revised 08/2011

E-mail: [service@amfreece.cz](mailto:service@amfreece.cz); [parts@amfreece.cz](mailto:parts@amfreece.cz) ; website: [www.amfreece.com](http://www.amfreece.com)  
Phone: +420 582 309 286; Fax: +420 582 360 606

## CLAMP YOKE ASSEMBLY

DET	PART NUMBER	DESCRIPTION	QTY.
01	10.2042.0.000	Screw	2
02	01.4067.0.000	Washer	2
03	10.2039.0.000	L.H. Rear Link Assembly	1
04	14.2039.0.801	L.H. Rear Link	(1)
05	01.6555.0.000	Pin	(2)
06	01.6075.0.000	Pin	(2)
07	10.2041.0.000	Locking Plate	2
08	01.1021.0.000	Screw	4
09	10.2036.0.000	Front Link	2
10	01.6074.0.000	Pin	(2)
11	10.2033.0.801	R.H. Slide Clamp	(1)
12	01.6839.0.001	Pin	2
13	10.2034.0.000	L.H. Clamp Slide Assembly	1
14	01.5023.0.000	Spring	1
15	10.2034.0.801	L.H. Slide Clamp	(1)
16	10.2033.0.000	R.H. Clamp Slide Assembly	1
17	14.2040.0.901	R.H. Rear Link	(1)
18	14.2040.0.000	R.H. Rear Link Assembly	1
19	01.1020.1.000	Screw	2
20	14.2026.0.050	Compressing Clamp Assembly	1
21	14.2026.0.002	Clamp Arm Toggle	(1)
22	01.1686.0.401	Screw	((4))
23	—	Pin	(2)
24	01.2539.0.001	Screw	(1)
25	10.2027.1.000	R.H. Pull Down	(1)
26	10.2028.1.000	L.H. Pull Down	(1)
27	01.2539.0.000	Screw	(1)
28	01.1238.0.000	Stud	(2)
29	01.4121.0.000	Washer	(4)
30	01.3404.0.000	Nut	(4)
31	01.4042.0.000	Washer	(2)
32	03.6000.0.216	Screw	(2)
33			
34	01.4559.0.000	Washer	(2)
35	14.2026.0.005	LH. Clamp Yoke	(1)
36	14.2026.0.006	R.H. Clamp Yoke	(1)
37	14.2024.0.000	Shaft	(1)
38	01.8401.0.001	Key	(1)
39	14.2023.1.000	Toggle Bracket	(1)
40	01.2412.0.000	Screw	((1))
41	01.6006.0.000	Pin	((1))
42	01.3007.0.000	Nut	(3)
43	01.3001.0.000	Nut	(2)
44	01.2482.0.000	Screw	(2)
45	01.3013.0.000	Nut	(1)
46	01.4005.0.000	Washer	(1)
47	10.2024.0.000	Stud	(1)
48	14.2026.0.003	Clamp Arm Toggle	(1)
49	13.2086.0.000	Adjusting Screw	(1)
50	10.2025.0.017	Clamp Yoke Bearing* AF	1

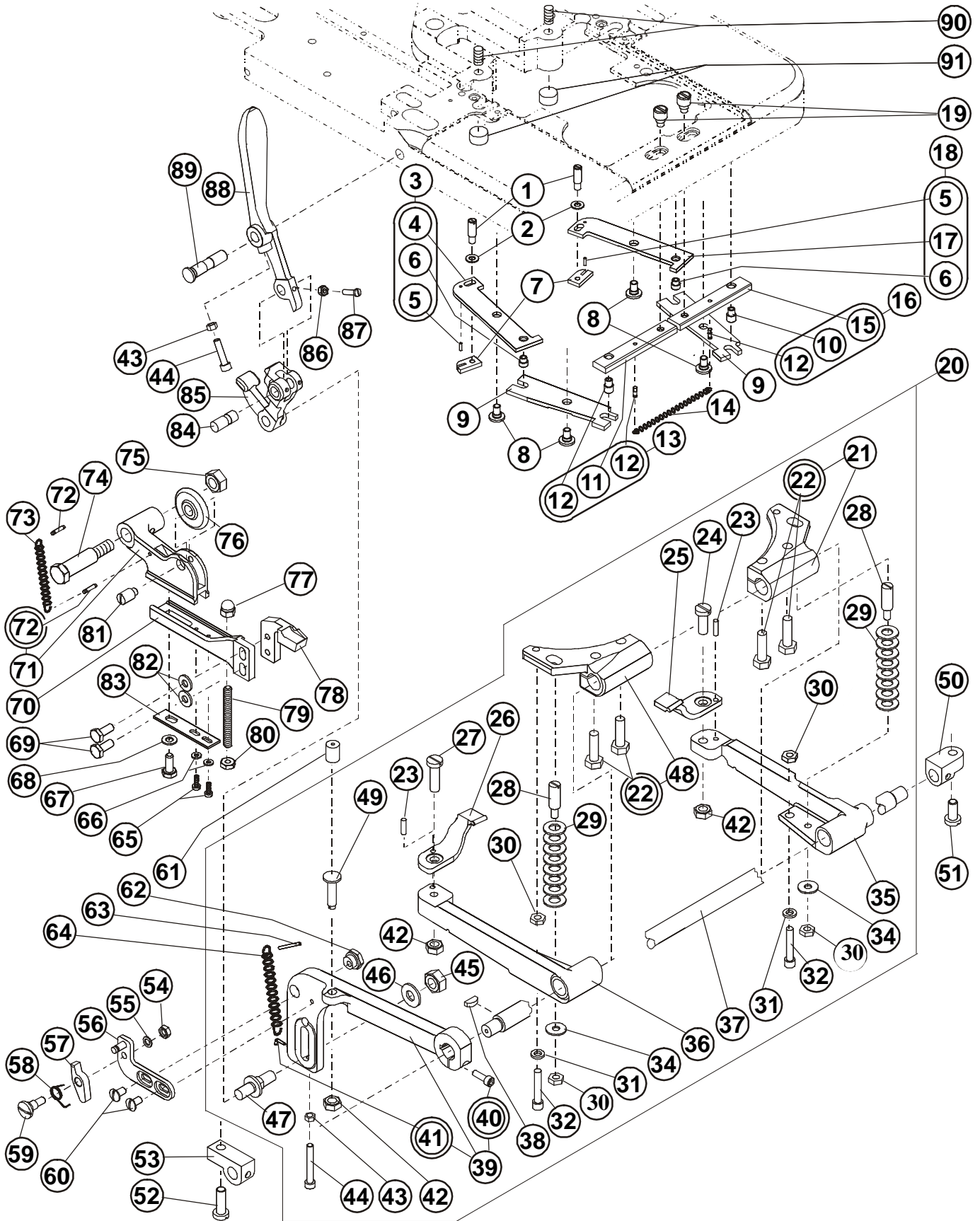
Revised 08/2011

E-mail: [service@amfreece.cz](mailto:service@amfreece.cz); [parts@amfreece.cz](mailto:parts@amfreece.cz) ; website: [www.amfreece.com](http://www.amfreece.com)

Phone: +420 582 309 286; Fax: +420 582 360 606



# CLAMP YOKE ASSEMBLY

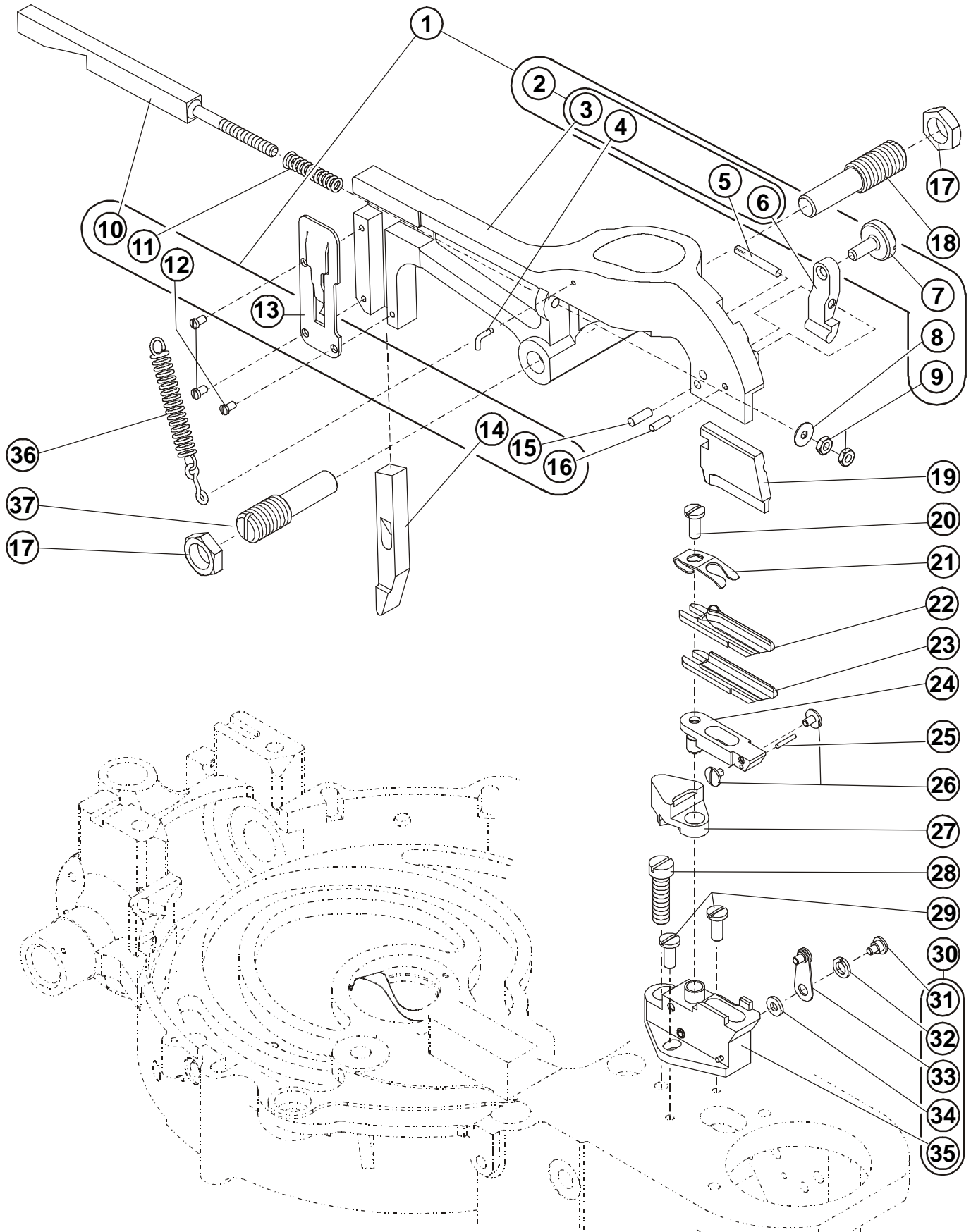


Revised 08/2011

E-mail: [service@amfreece.cz](mailto:service@amfreece.cz); [parts@amfreece.cz](mailto:parts@amfreece.cz) ; website: [www.amfreece.com](http://www.amfreece.com)  
Phone: +420 582 309 286; Fax: +420 582 360 606



# CUTTING LEVER ASSEMBLY



Revised 08/2011

E-mail: [service@amfreece.cz](mailto:service@amfreece.cz); [parts@amfreece.cz](mailto:parts@amfreece.cz) ; website: [www.amfreece.com](http://www.amfreece.com)  
Phone: +420 582 309 286; Fax: +420 582 360 606

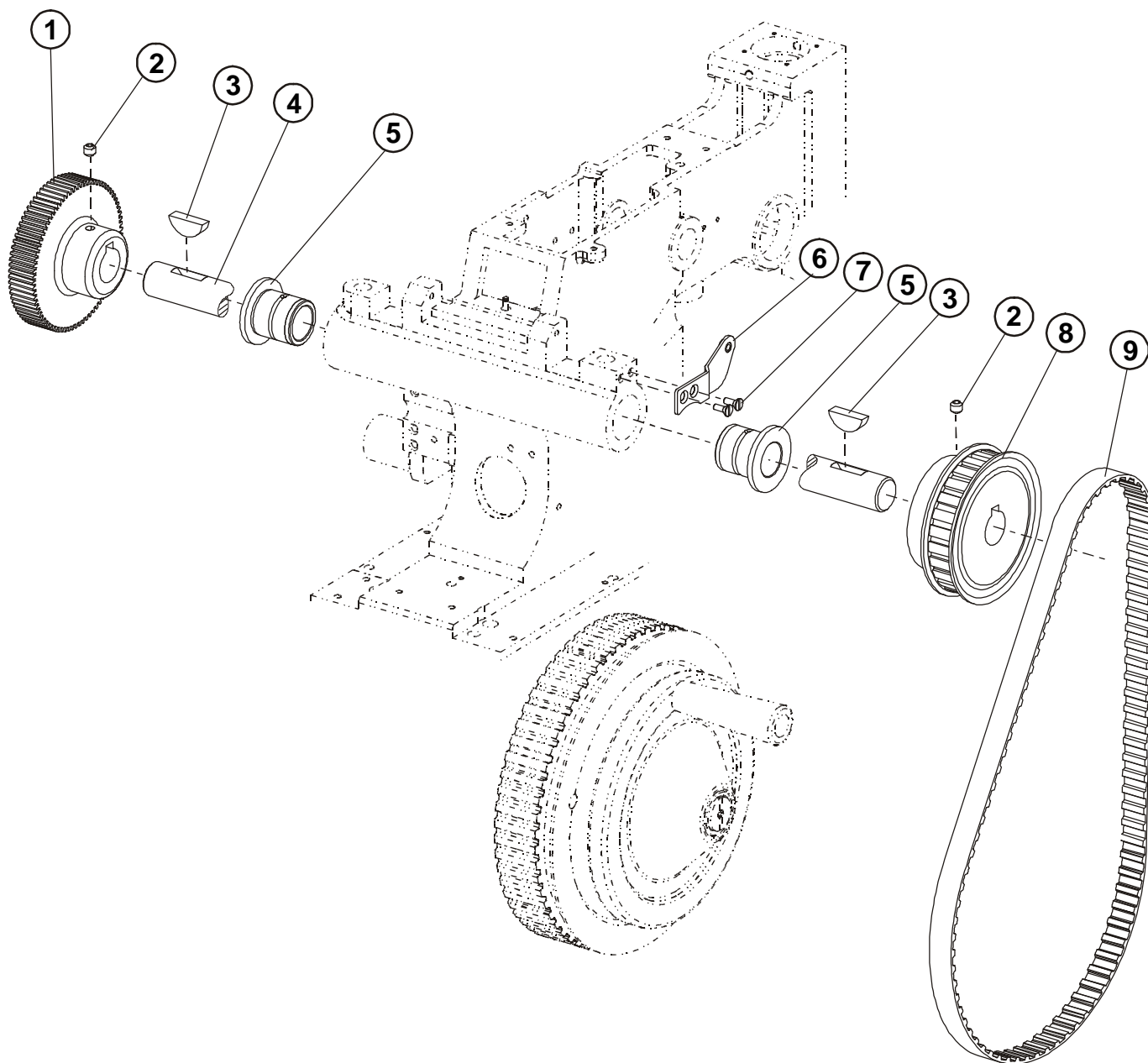
## CUTTING LEVER ASSEMBLY

DET	PART NUMBER	DESCRIPTION	QTY.
01	14.8888.2.287	Cutting Lever Assembly	1
02	10.1068.1.050	Cutting Lever Assembly	((1))
03	10.1068.0.901	Cutting Lever* Machined	(1)
04	01.6006.0.000	Anchor	((1))
05	01.6837.0.000	Pin	((1))
06	10.1163.0.000	Clamp	((1))
07	01.1257.0.000	Screw	1
08	01.4001.0.000	Washer	(1)
09	01.3001.0.000	Nut	(2)
10	10.1072.0.000	Pressure Bar	(1)
11	01.5061.0.000	Spring	(1)
12	01.2013.0.000	Screw	(3)
13	10.1073.1.000	Cover Plate	(1)
14	10.1071.1.023	Cutting Cam Follower	(1)
15	01.6026.0.000	Pin	((1))
16	01.6010.0.000	Pin	((1))
17	01.3006.0.000	Nut	(2)
18	10.1074.0.000	L.H. Pivot Stud	(1)
19	10.1069.0.001	Cutting Steel* 1/2" Eye	1
	See Page 3-57	Cutting Steel* 3/4" Eye Cutting Steel* 1" Eye Cutting Steel* 1-1/4" Eye	—
	01.2039.0.000	Screw	1
	10.3074.0.011	Cloth Lifting Spring*CB	1
22	10.3072.0.024	Knife	1
23	See Page 3-57	Knife	1
24	10.3071.1.250	Knife Pad	1
25	01.6036.0.000	Pin	1
26	01.2102.0.000	Screw	2
27	10.3067.4.254	Spreading Block	1
28	01.2038.0.000	Screw	1
29	01.2039.0.000	Screw	2
30	10.3070.0.251	Knife Holder Assembly	1
31	01.1130.0.000	Screw	(1)
32	01.4003.0.000	Washer	(1)
33	01.5173.0.000	Spring	(1)
34	08.6850.7.001	Washer	(1)
35	11.3070.0.001	Knife Holder	(1)
36	01.5006.0.001	Spring	1
37	10.1074.0.250	R.H. Pivot Stud	1

Revised 11/2011

E-mail: [service@amfreece.cz](mailto:service@amfreece.cz); [parts@amfreece.cz](mailto:parts@amfreece.cz) ; website: [www.amfreece.com](http://www.amfreece.com)

Phone: +420 582 309 286; Fax: +420 582 360 606

**STITCH DRIVE SHAFT ASSEMBLY**

Revised 08/2011

E-mail: [service@amfreece.cz](mailto:service@amfreece.cz); [parts@amfreece.cz](mailto:parts@amfreece.cz) ; website: [www.amfreece.com](http://www.amfreece.com)  
Phone: +420 582 309 286; Fax: +420 582 360 606



## STITCH DRIVE SHAFT ASSEMBLY

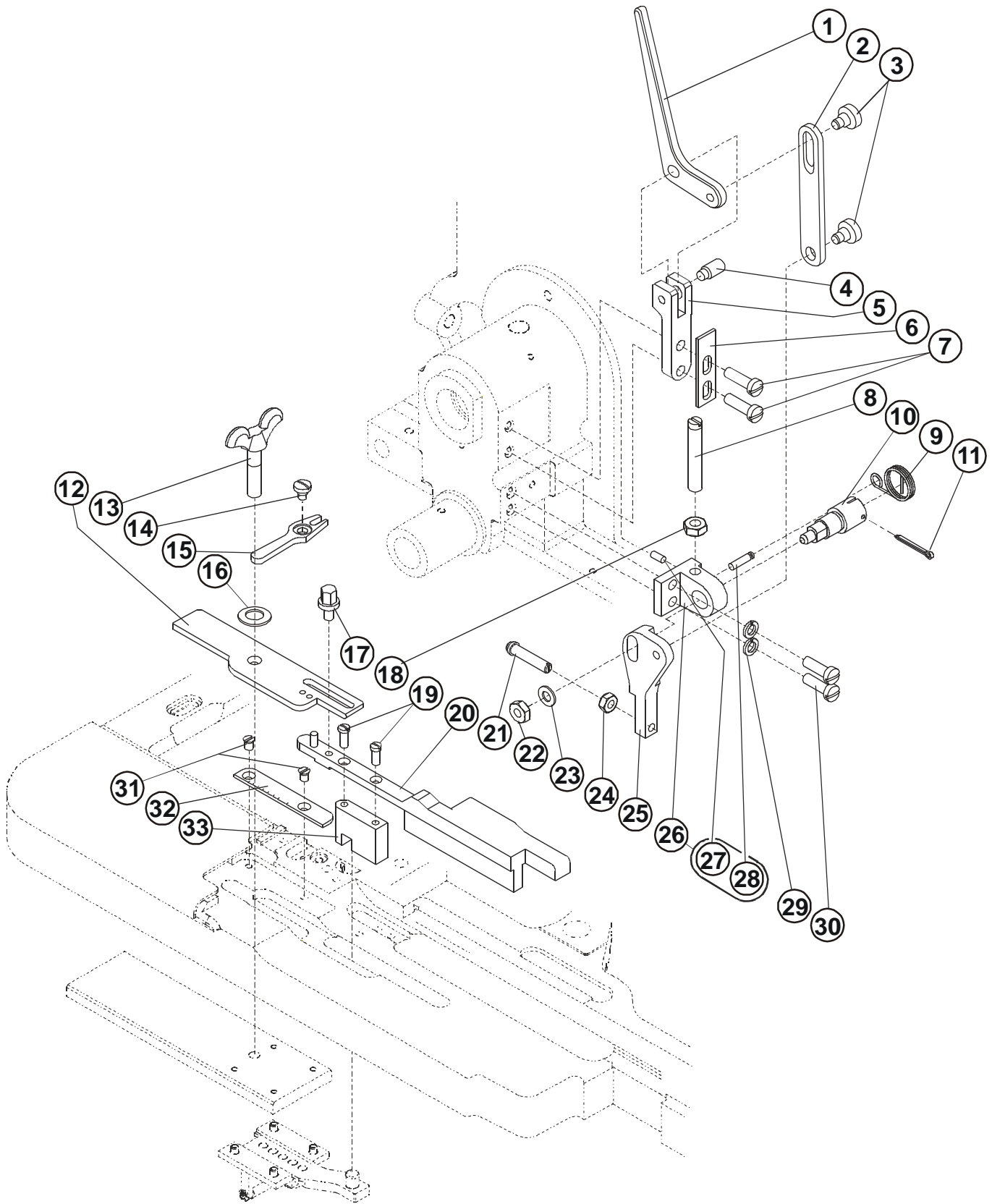
DET	PART NUMBER	DESCRIPTION	QTY.
01	13.1238.0.000	Super Gear	1
02	01.2849.0.002	Set Screw	2
03	01.8413.0.000	Key	2
04	13.1237.0.000	Stitch Drive Shaft	1
05	13.1231.2.000	Bushing	2
06	13.0528.0.001	L.H. Bracket Assembly	1
07	01.1739.0.101	Screw	2
08	13.1239.0.000	Stitch Drive Pulley	1
09	05.1103.0.000	Timing Belt	1

Revised 08/2011

E-mail: [service@amfreece.cz](mailto:service@amfreece.cz); [parts@amfreece.cz](mailto:parts@amfreece.cz) ; website: [www.amfreece.com](http://www.amfreece.com)

Phone: +420 582 309 286; Fax: +420 582 360 606

# LENGTH GAUGE



Revised 09/2011

E-mail: [service@amfreece.cz](mailto:service@amfreece.cz); [parts@amfreece.cz](mailto:parts@amfreece.cz) ; website: [www.amfreece.com](http://www.amfreece.com)  
Phone: +420 582 309 286; Fax: +420 582 360 606

## LENGTH GAUGE

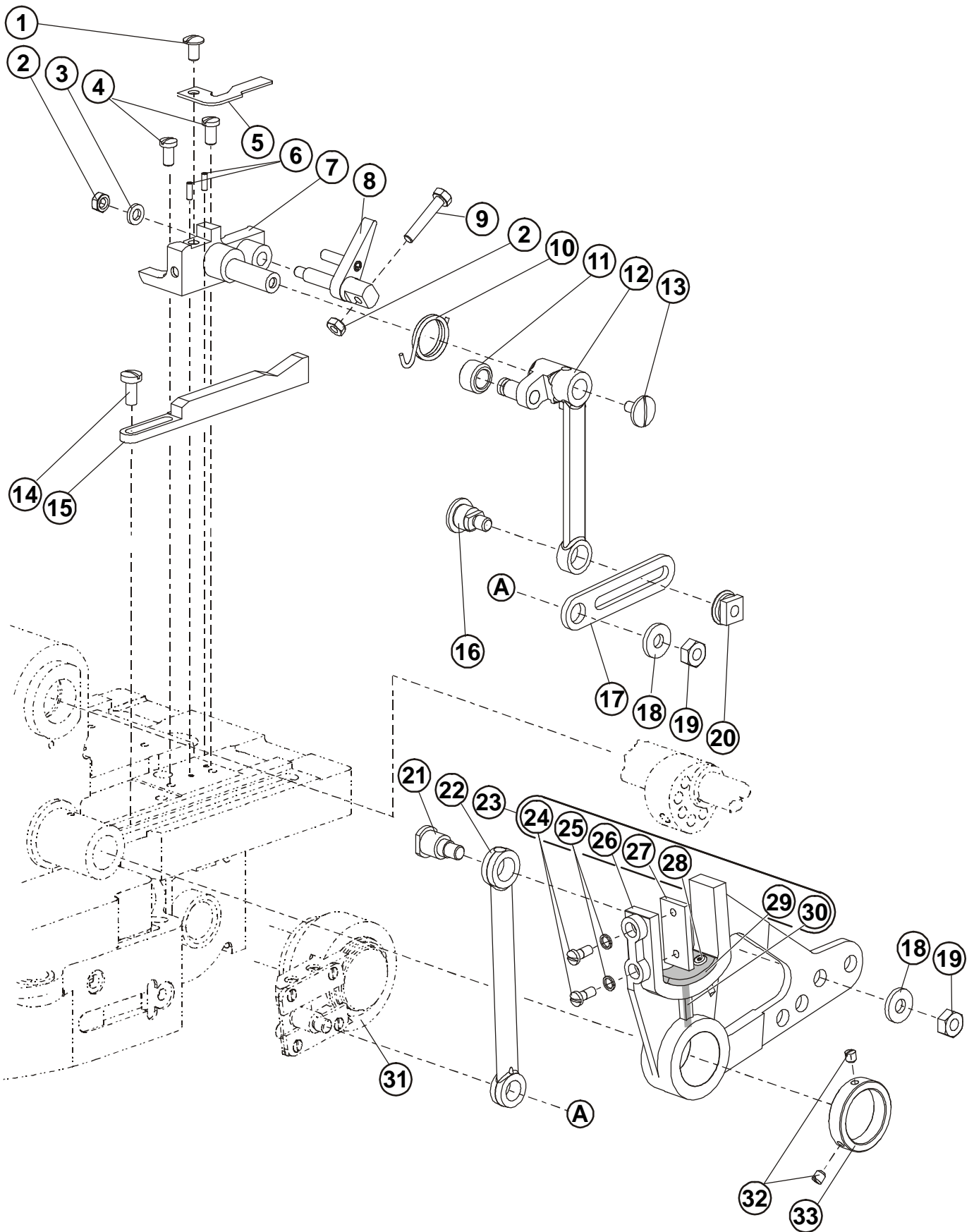
DET	PART NUMBER	DESCRIPTION	QTY.
01	13.1235.0.001	Upper Lever	1
02	13.1235.0.003	Sliding Lever	1
03	13.1235.0.005	Screw	2
04	13.1235.0.004	Screw	1
05	13.1235.0.002	Yoke	1
06	13.1235.0.006	Stop	1
07	01.2886.0.002	Screw	2
08	01.2066.0.000	Screw	1
09	01.5088.0.000	Spring	1
10	10.1125.2.000	Stud	1
11	10.1053.0.000	Cotter Pin	1
12	10.2251.0.001	Lenght Plate* 7mm	1
13	14.2254.1.901	Wing Bolt Assembly	1
14	10.2252.0.000	Screw	1
15	10.2253.0.000	Tack Lever	1
16	01.4063.0.000	Washer	1
17	10.2250.1.000	Nut	1
18	01.3011.0.000	Nut	1
19	01.2084.0.000	Screw	2
20	10.2018.1.250	Lenght Gauge* Regular	1
21	10.1126.0.000	Screw	1
22	01.3020.0.000	Nut	1
23	08.6852.6.000	Washer	1
24	01.3005.0.000	Nut	1
25	13.1124.0.000	Trip Lever	1
26	10.1127.3.000	Trip Lever Bracket	1
27	01.6020.0.000	Pin	(1)
28	01.6833.0.002	Spring Anchor	(1)
29	01.4003.0.000	Washer	2
30	01.2041.0.000	Screw	2
31	01.2075.0.001	Screw	2
32	10.2261.0.030	Lenght Gauge* Inches	1
	10.2261.0.040	Lenght Gauge* Metric	
	14.2261.0.000	Lenght Gauge* ST.CT	
33	10.2262.0.000	Block	1

Revised 08/2011

E-mail: [service@amfreece.cz](mailto:service@amfreece.cz); [parts@amfreece.cz](mailto:parts@amfreece.cz) ; website: [www.amfreece.com](http://www.amfreece.com)

Phone: +420 582 309 286; Fax: +420 582 360 606

# STITCH FEED



Revised 08/2011

E-mail: [service@amfreece.cz](mailto:service@amfreece.cz); [parts@amfreece.cz](mailto:parts@amfreece.cz) ; website: [www.amfreece.com](http://www.amfreece.com)  
Phone: +420 582 309 286; Fax: +420 582 360 606

**STITCH FEED**

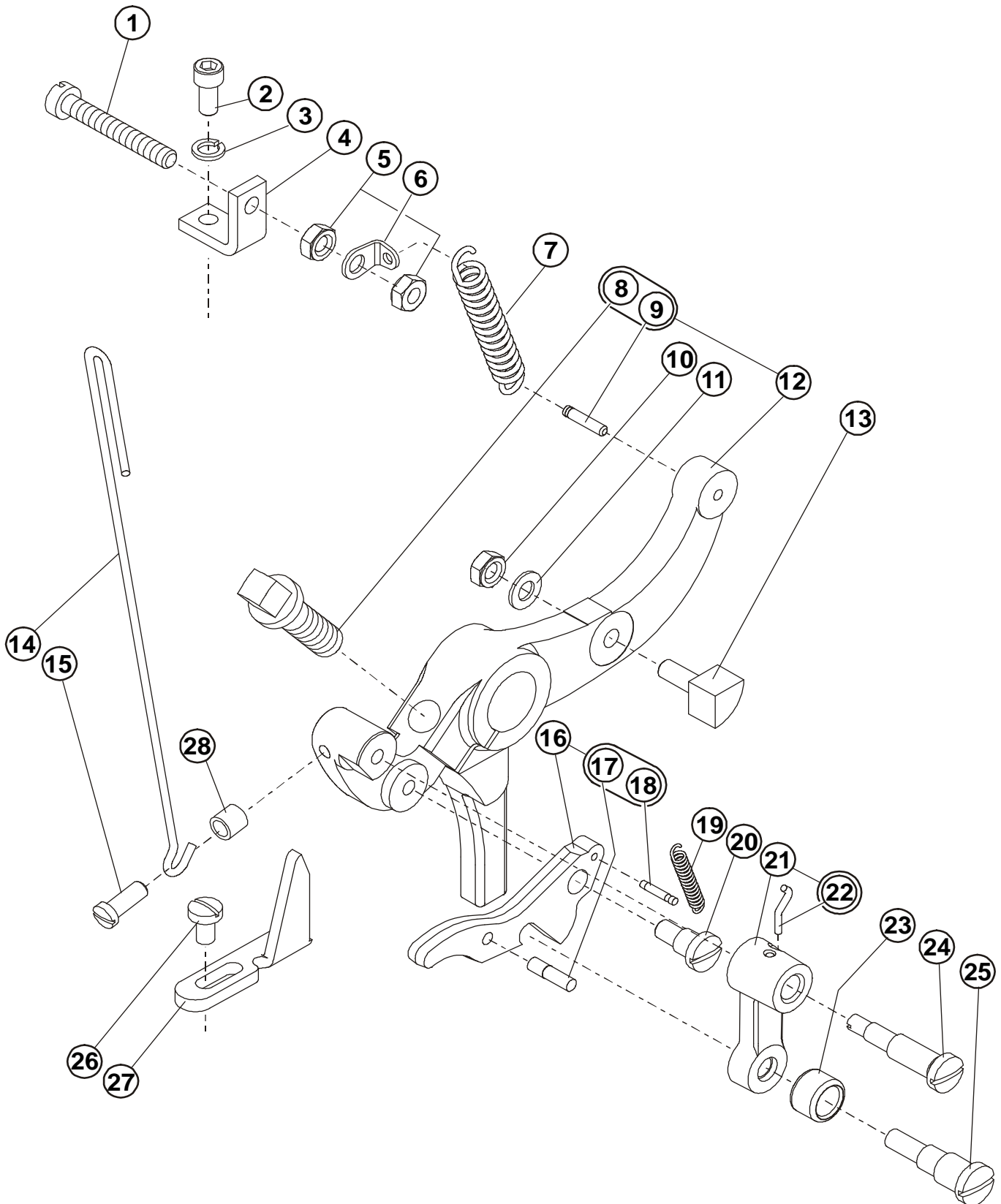
<b>DET</b>	<b>PART NUMBER</b>	<b>DESCRIPTION</b>	<b>QTY.</b>
01	01.2344.0.000	Screw	1
02	01.3005.0.000	Nut	2
03	01.4042.0.000	Washer	1
04	01.2130.0.000	Screw	2
05	01.5447.0.000	Spring	1
06	01.6428.0.000	Pin	2
07	10.1167.1.000	Shifter Block	1
08	10.1169.0.000	Shifter	1
09	01.2543.0.000	Screw	1
10	01.5448.0.000	Spring	1
11	10.2007.0.350	Roll	1
12	10.1168.0.000	Link	1
13	01.2146.0.000	Screw	1
14	01.2041.0.000	Screw	1
15	14.2061.0.100	Increase/Decrease Wedge	1
16	01.1028.0.000	Stud	1
17	10.3081.0.000	Arm	1
18	01.4503.0.000	Washer	2
19	01.3042.0.000	Nut	2
20	01.3019.0.000	Nut	1
21	01.1132.0.000	Screw	1
22	10.1109.3.000	Link	1
23	14.1108.0.050	Follower-Feed Cam Assembly	1
24	01.2022.0.000	Screw	(2)
25	01.4019.0.000	Spring Washer	(2)
26	14.1108.0.901	Feed Cam Follow	((1))
27	10.1107.0.801	Plate	(1)
28	12.4021.0.312	Rivet	(1)
29	14.1029.0.000	Feelt	(1)
30	07.0400.0.000	Wick	(1)
31	See Page 3-8	Feed Clutch Assembly	—
32	08.6400.5.305	Screw	2
33	01.7038.1.000	Collar	1

Revised 08/2011

E-mail: [service@amfreece.cz](mailto:service@amfreece.cz); [parts@amfreece.cz](mailto:parts@amfreece.cz) ; website: [www.amfreece.com](http://www.amfreece.com)

Phone: +420 582 309 286; Fax: +420 582 360 606

# THREE FORK LEVER



Revised 08/2011

E-mail: [service@amfreece.cz](mailto:service@amfreece.cz); [parts@amfreece.cz](mailto:parts@amfreece.cz) ; website: [www.amfreece.com](http://www.amfreece.com)  
Phone: +420 582 309 286; Fax: +420 582 360 606

## THREE FORK LEVER

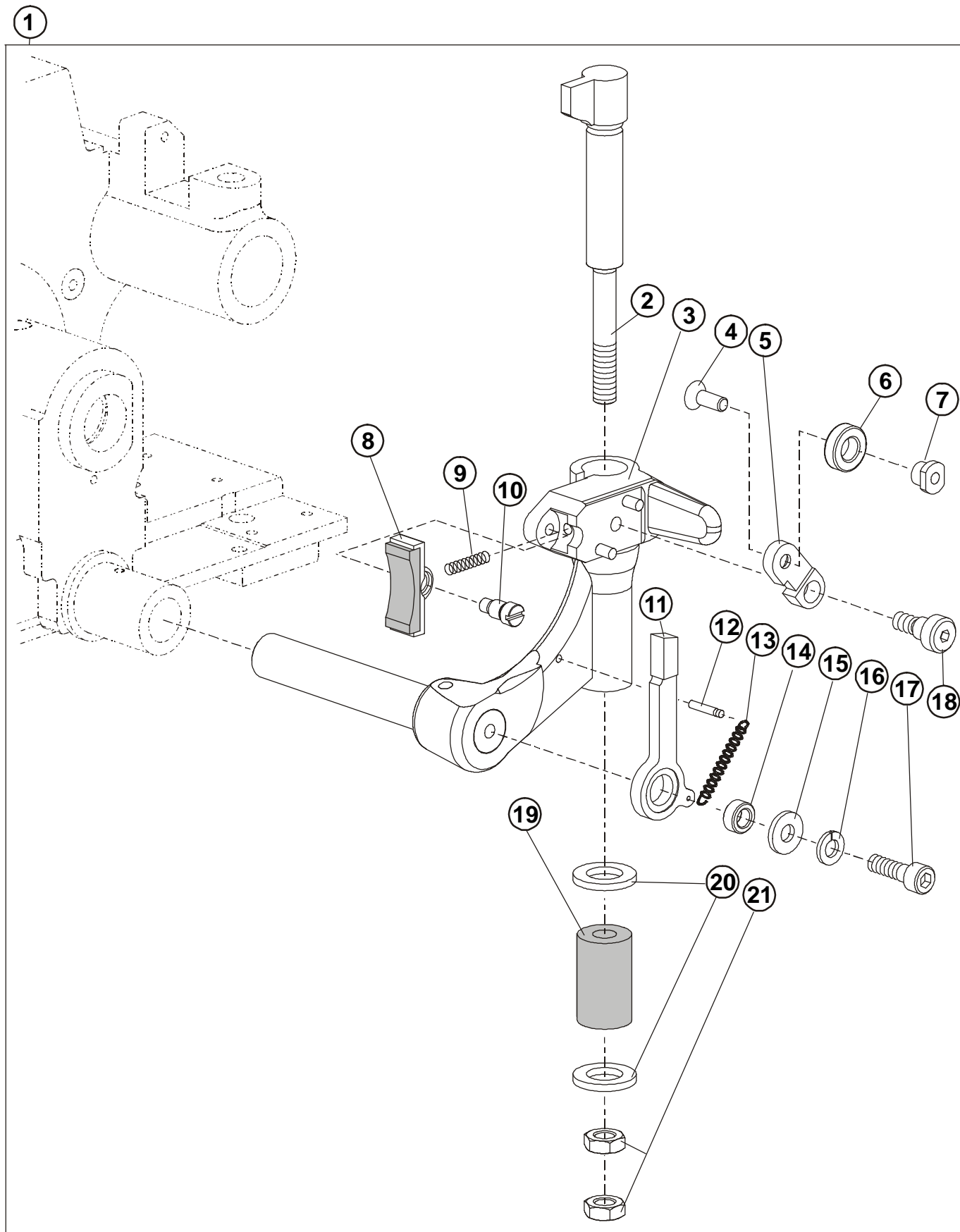
DET	PART NUMBER	DESCRIPTION	QTY.
01	08.6000.4.035	Screw	1
02	01.2412.0.000	Screw	1
03	01.4407.0.000	Lockwasher	1
04	14.1099.0.000	Spring Bracket	1
05	08.6700.4.000	Nut	2
06	14.5034.0.000	Cord Guide	1
07	01.5075.0.000	Spring	1
08	10.1114.1.000	Screw	(1)
09	12.1015.0.001	Anchor Pin	(1)
10	01.3005.0.000	Nut	1
11	01.4011.0.000	Washer	1
12	10.1113.0.000	Lever	1
13	10.1117.0.000	Dog	1
14	10.1083.0.000	Link	1
15	01.2321.0.000	Screw	1
16	10.1118.0.000	Lever Assembly	1
17	01.6166.0.000	Pin	(1)
18	01.6005.0.000	Anchor Pin	(1)
19	01.5014.0.000	Spring	1
20	10.1119.0.000	Screw	1
21	10.1120.0.000	Link	1
22	01.6030.0.000	Pin	(1)
23	10.1122.0.017	Rool	1
24	01.1095.0.000	Screw	1
25	10.1121.0.017	Stud	1
26	01.2042.0.000	Screw	1
27	10.2016.0.000	Bumper	1
28	10.1115.0.000	Spacer	1

Revised 08/2011

E-mail: [service@amfreece.cz](mailto:service@amfreece.cz); [parts@amfreece.cz](mailto:parts@amfreece.cz) ; website: [www.amfreece.com](http://www.amfreece.com)

Phone: +420 582 309 286; Fax: +420 582 360 606

# ROCKING LEVER



Revised 08/2011

E-mail: [service@amfreece.cz](mailto:service@amfreece.cz); [parts@amfreece.cz](mailto:parts@amfreece.cz) ; website: [www.amfreece.com](http://www.amfreece.com)  
Phone: +420 582 309 286; Fax: +420 582 360 606



## ROCKING LEVER

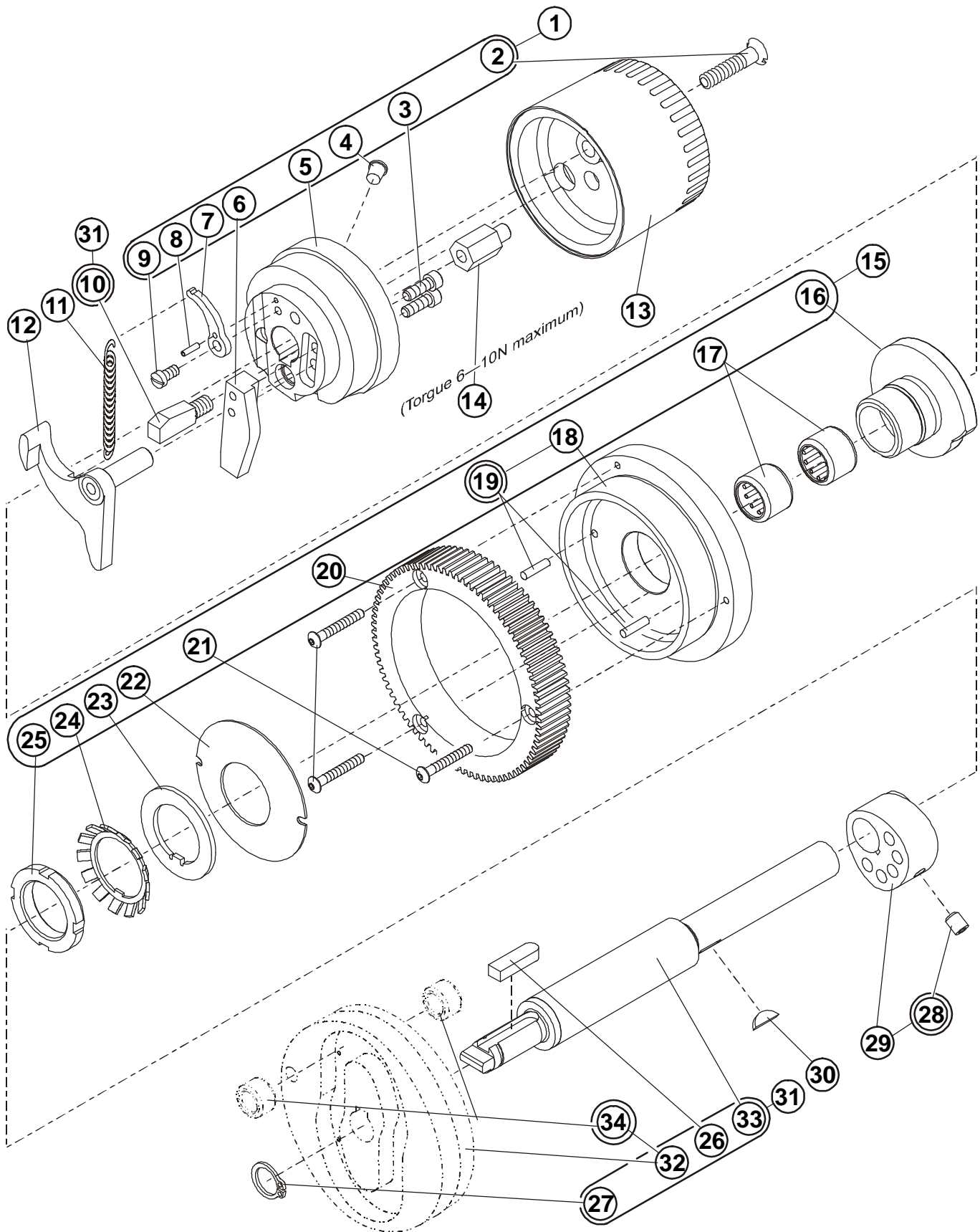
DET	PART NUMBER	DESCRIPTION	QTY.
01	16.1098.0.850	Line Rocking Lever Assembly	1
02	13.1099.1.000	Bolt	(1)
03	16.1098.0.050	Rocking Lever Assembly	(1)
04	17.0012.6.096	Screw	(1)
05	17.0061.2.415	Link	(1)
06	17.0041.8.400	Bearing	(1)
07	17.0016.3.400	Nut	(1)
08	17.0002.4.121	Brake Shoe	(1)
09	01.5003.0.000	Spring	(1)
10	01.1831.0.000	Screw	(1)
11	13.1100.0.000	Latch	(1)
12	01.6014.0.000	Anchor Pin	(1)
13	01.5011.0.000	Spring	(1)
14	17.1099.0.000	Bushing	(1)
15	17.0019.0.367	Washer	(1)
16	01.4004.0.000	Lockwasher	(1)
17	66.0001.3.000	Screw	(1)
18	07.6042.1.001	Shoulder Screw	(1)
19	01.5605.0.000	Elastomer Spring	(1)
20	01.4752.0.000	Washer	(2)
21	01.3400.0.000	Nut	(2)

Revised 08/2011

E-mail: [service@amfreece.cz](mailto:service@amfreece.cz); [parts@amfreece.cz](mailto:parts@amfreece.cz) ; website: [www.amfreece.com](http://www.amfreece.com)

Phone: +420 582 309 286; Fax: +420 582 360 606

# STOP WHEEL & STITCH DRIVE ASSEMBLY



Revised 08/2011

E-mail: [service@amfreece.cz](mailto:service@amfreece.cz); [parts@amfreece.cz](mailto:parts@amfreece.cz) ; website: [www.amfreece.com](http://www.amfreece.com)  
Phone: +420 582 309 286; Fax: +420 582 360 606

**STOP WHEEL & STITCH DRIVE ASSEMBLY**

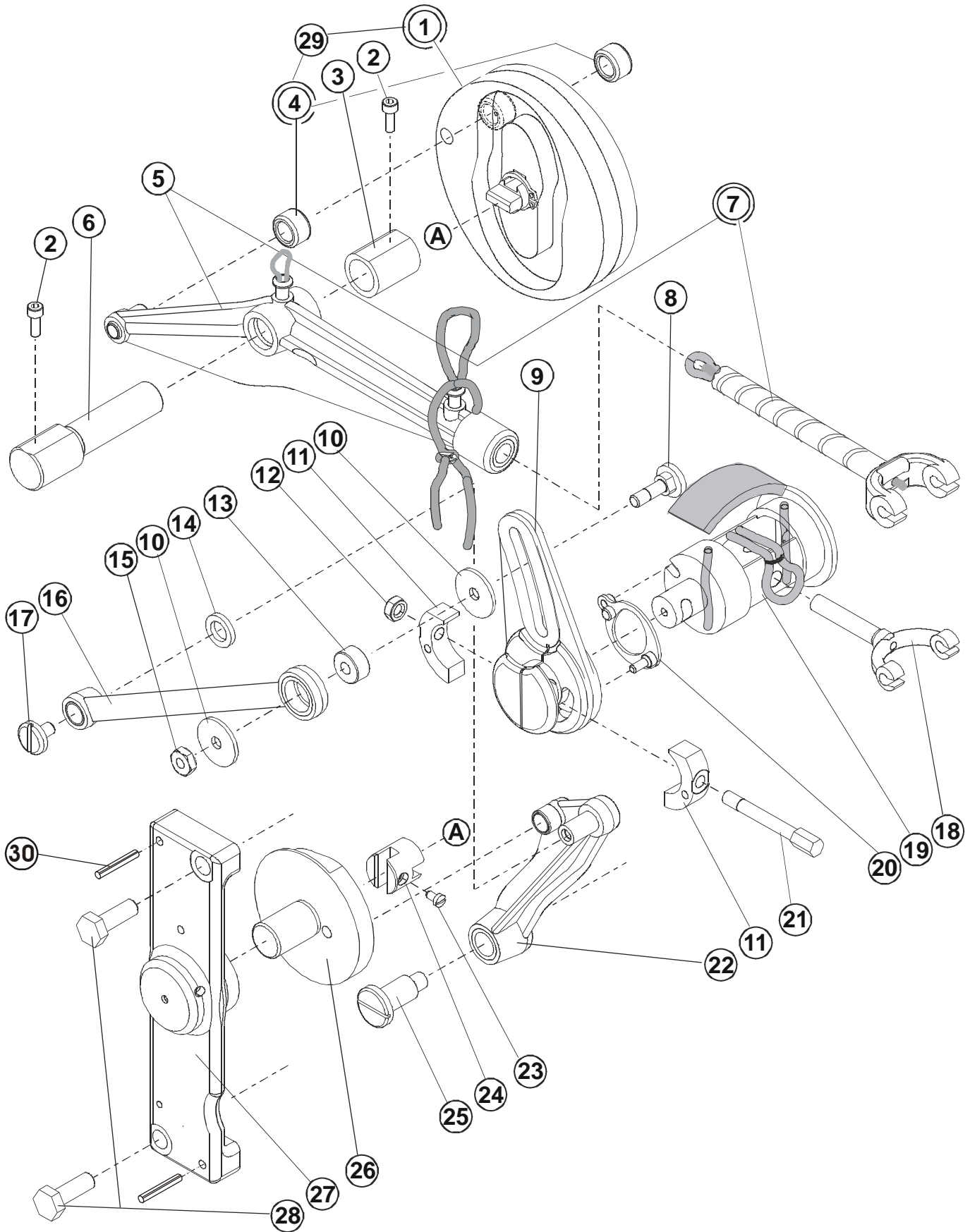
DET	PART NUMBER	DESCRIPTION	QTY.
01	17.1088.1.050	R.H. Stop Wheel Assembly	1
02	08.6100.6.050	Screw	(1)
03	08.6010.4.012	Screw M4x12	(2)
04	17.0004.7.253	Oiler	(1)
05	—	R.H. Stop Wheel	(1)
06	14.1155.1.000	Stop	(1)
07	10.1090.0.000	Spring Arm	(1)
08	12.1014.0.004	Roll Pin	(1)
09	08.6010.4.008	Screw M4x8	(1)
10	10.1097.1.000	Key	(1)
11	01.5606.0.000	Spring Assembly	(1)
12	14.1089.0.000	Clutch Dog Assembly	1
13	17.0051.0.066	Hand Grip	1
14	01.1986.0.000	Nut	1
15	13.1107.0.000	Clutch Drive Assembly	1
16	17.0067.2.186	Drive Cam	(1)
17	01.7667.0.000	Bearing	(2)
18	13.1106.0.000	Stitch Drive	(1)
19	01.6515.0.000	Pin	((2))
20	13.1232.0.000	Spur Gear	(1)
21	01.2712.0.000	Screw	(3)
22	13.1104.1.000	Spring Waher	(1)
23	17.0019.5.048	Keyed Washer	(1)
24	13.1103.0.000	Lockwasher	(1)
25	17.0017.4.075	Lock Nut	(1)
26	10.1091.1.803	Key	(1)
27	01.6384.0.000	Retaining Ring	(1)
28	01.1975.0.000	Screw	(1)
29	10.1093.2.000	Feed Cam Assembly	1
30	01.8002.0.000	Key	1
31	13.1091.1.000	Stich Cam/Shaft Assembly	1
32	See Page 3-44	Stitch Cam-104* Machin	(—)
33	10.1091.1.801	Shaft	(1)
34	See Page 3-44	Roll	((—))

Revised 11/2011

E-mail: [service@amfreece.cz](mailto:service@amfreece.cz); [parts@amfreece.cz](mailto:parts@amfreece.cz) ; website: [www.amfreece.com](http://www.amfreece.com)

Phone: +420 582 309 286; Fax: +420 582 360 606

# NEEDLE BAR DRIVE AND VIBRATOR



Revised 08/2011

E-mail: [service@amfreece.cz](mailto:service@amfreece.cz); [parts@amfreece.cz](mailto:parts@amfreece.cz) ; website: [www.amfreece.com](http://www.amfreece.com)  
Phone: +420 582 309 286; Fax: +420 582 360 606

## NEEDLE BAR DRIVE AND VIBRATOR

DET	PART NUMBER	DESCRIPTION	QTY.
01	13.1091.2.802	Stitch Cam-104* Machin	(1)
02	01.2413.0.000	Screw	2
03	13.1049.0.000	Bushing	1
04	See Chart	Roll	((2))
05	14.1047.0.050	Stitch Drive Lever Assembly	1
06	13.1050.0.000	Pivot Stud	1
07	14.1046.0.050	Yoke Assembly	(1)
08	10.1037.0.000	Stud	1
09	10.1038.2.000	Vibrator Crank	1
10	10.1039.0.000	Washer	2
11	10.1147.0.000	Clamp Block	2
12	01.3005.0.000	Nut	1
13	10.1040.0.000	Bushing	1
14	10.1024.0.002	Washer (Std.) .0779"-.0782"	1
	10.1024.0.001	Washer (O/S.) .0782"-.0785"	
	10.1024.0.003	Washer (O/S.) .0776"-.0779"	
15	01.3020.0.001	Nut	1
16	14.1041.0.000	Vibrator Drag Link	1
17	01.2011.0.000	Screw	1
18	10.1034.0.000	Vibrator Yoke	1
19	14.1035.0.050	Vibrator Barrel Assembly	1
20	10.1153.0.000	Adjustment Plate	1
21	13.1036.0.000	Bolt	1
22	14.1043.0.000	Vibrator Cam Follower	1
23	10.1031.0.000	Screw	1
24	10.1076.0.000	Coupling Block	1
25	10.1044.0.000	Screw	1
26	05.0531.0.001	Vibrator Cam	1
27	13.1188.0.000	Support - Cam	1
28	01.1639.0.000	Screw	2
29	See Page 3-42	Stich Cam/Shaft Assembly	—
30	01.6564.0.000	Pin Spring	2

Roll Chart						
DET	04					
	Dia.	Roll P/N	Size	Dia.	Roll P/N	Size
	.5000 +.0000 -.0003	10.1122.0.010	Std.	.5014 +.0000 -.0002	10.1122.0.012	#6 O.S.
	.5002 +.0000 -.0002	10.1122.0.999	#1 O.S.	.5018 +.0000 -.0002	10.1122.0.013	#7 O.S.
	.5004 +.0000 -.0002	10.1122.0.998	#2 O.S.	.5022 +.0000 -.0002	10.1122.0.014	#8 O.S.
	.5006 +.0000 -.0002	10.1122.0.980	#3 O.S.	.5026 +.0000 -.0002	10.1122.0.015	#9 O.S.
	.5010 +.0000 -.0002	10.1122.0.011	#5 O.S.	.5030 +.0000 -.0002	10.1122.0.016	#10 O.S.

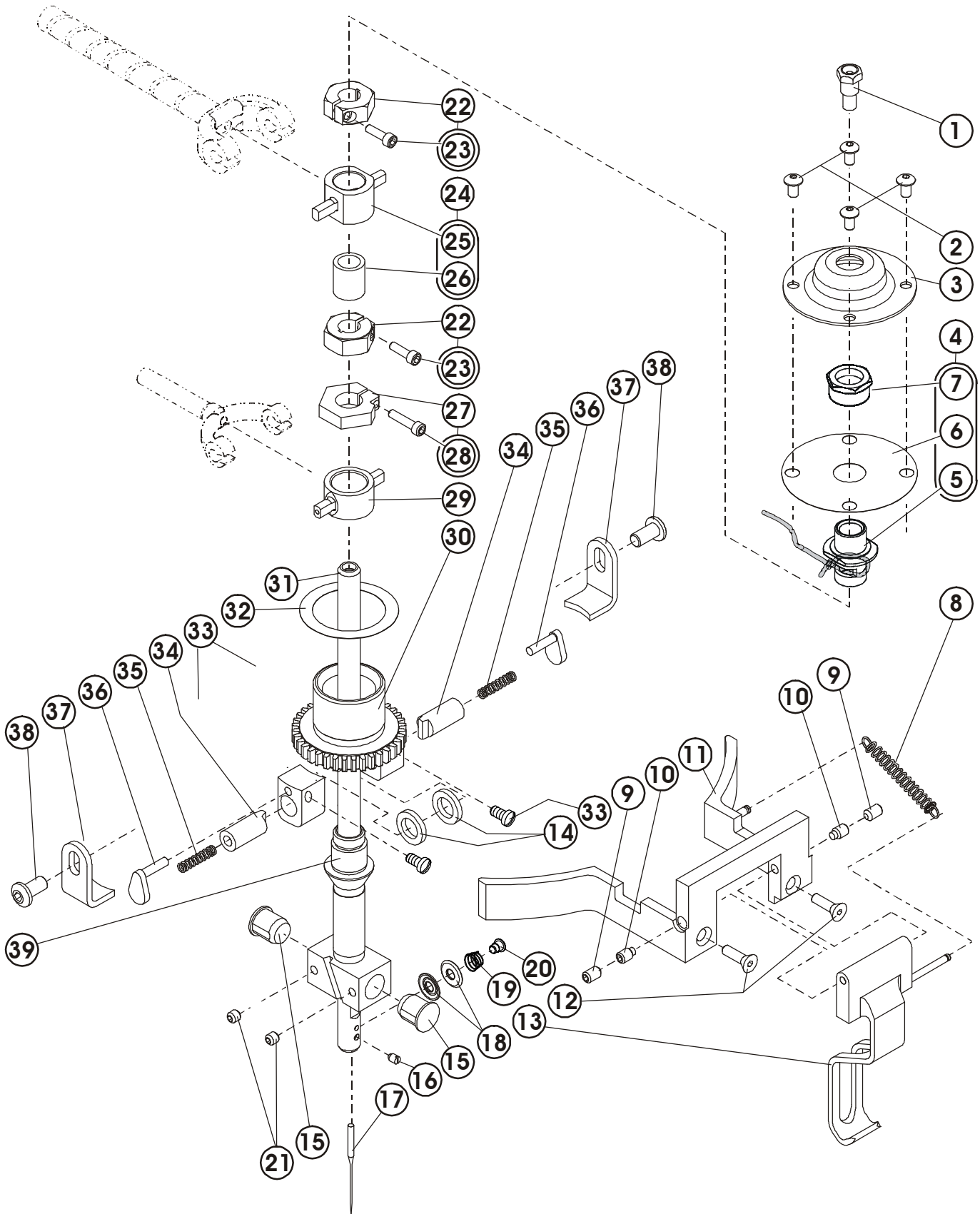
To be used on oversized cam slots

Revised 09/2011

E-mail: [service@amfreece.cz](mailto:service@amfreece.cz); [parts@amfreece.cz](mailto:parts@amfreece.cz) ; website: [www.amfreece.com](http://www.amfreece.com)

Phone: +420 582 309 286; Fax: +420 582 360 606

# NEEDLE BAR AND GEAR



Revised 09/2011

E-mail: [service@amfreece.cz](mailto:service@amfreece.cz); [parts@amfreece.cz](mailto:parts@amfreece.cz) ; website: [www.amfreece.com](http://www.amfreece.com)  
Phone: +420 582 309 286; Fax: +420 582 360 606

## NEEDLE BAR AND GEAR

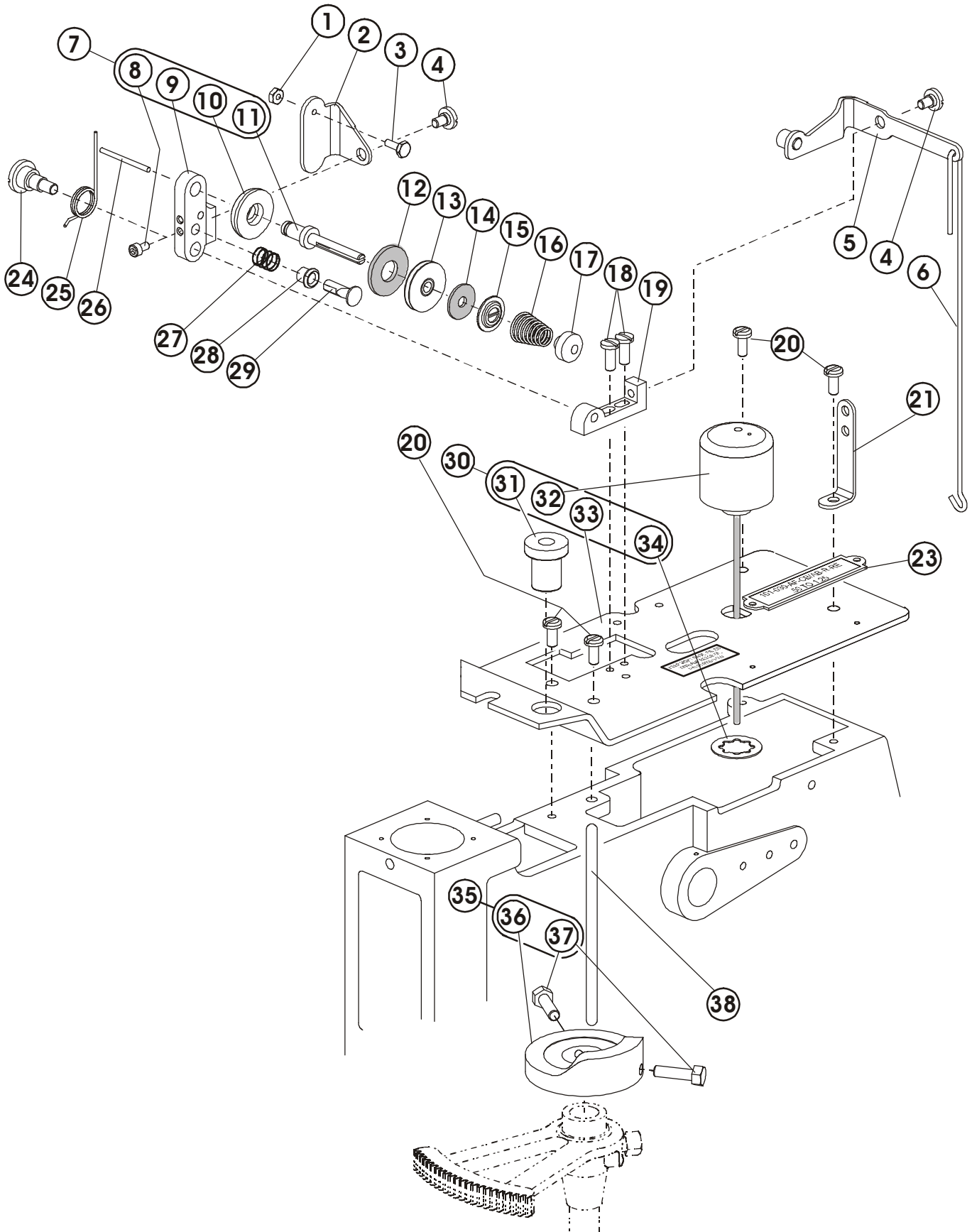
DET	PART NUMBER	DESCRIPTION	QTY.
01	10.1032.0.000	Bushing	1
02	01.1661.0.001	Screw	4
03	10.1014.1.000	Cap	1
04	14.1016.1.050	Needle Bar Guide Assembly	1
05	14.1017.0.000	Guide (w/Nut)	(1)
06	14.1042.0.000	Diaphragm	(1)
07	10.1016.2.000	Nut	(1)
08	01.5429.0.000	Spring	1
09	01.2557.0.001	Set Screw	2
10	01.1241.0.001	Set Screw	2
11	14.1258.1.000	Needle Guard Holder Assembly	1
12	01.2659.0.000	Screw	2
13	14.1252.1.000	Needle Guard Assembly	1
14	10.1024.0.002	Washer (Std.) .0779"-.0782"	2
	10.1024.0.001	Washer (O/S.) .0782"-.0785"	
	10.1024.0.003	Washer (O/S.) .0776"-.0779"	
15	14.1025.1.000	Needle Bar Button	2
16	01.2193.0.000	Screw	1
17	02.0501.0.111	Needle	1
18	10.1029.1.000	Tension Disc	2
19	01.5167.0.000	Spring	1
20	10.1030.0.017	Screw	1
21	01.1889.0.000	Screw	2
22	10.1027.1.050	Clamp Nut Kit	2
23	01.2419.0.000	Screw	(2)
24	14.9005.0.050	Assembly	1
25	10.1045.2.000	Gimbal	(1)
26	01.7015.0.000	Bushing	(1)
27	14.4023.0.000	Adjustable Collar	1
28	01.2419.0.001	Screw	(1)
29	10.1033.1.000	Gimbal	1
30	10.1023.3.000	Needle Bar Gear	1
31	14.1028.0.000	Needle Bar	1
32	01.4081.0.005	Shim (.005")	1
	01.4081.0.006	Shim (.006")	
	01.4081.0.008	Shim (.008")	
	01.4081.0.009	Shim (.009")	
	01.4081.0.010	Shim (.010")	
	01.4081.0.011	Shim (.011")	
	01.4081.0.012	Shim (.012")	
33	01.2008.0.000	Screw	2
34	10.1022.0.000	Guide	2
35	01.5003.0.000	Spring	2
36	10.1021.2.000	Retainer Spring	2
37	14.1250.0.000	Needle Bar Gear Bracket	2
38	01.1983.0.000	Screw	2
39	14.1070.0.000	Block	1

Revised 08/2011

E-mail: [service@amfreece.cz](mailto:service@amfreece.cz); [parts@amfreece.cz](mailto:parts@amfreece.cz) ; website: [www.amfreece.com](http://www.amfreece.com)

Phone: +420 582 309 286; Fax: +420 582 360 606

# THREAD HANDLING



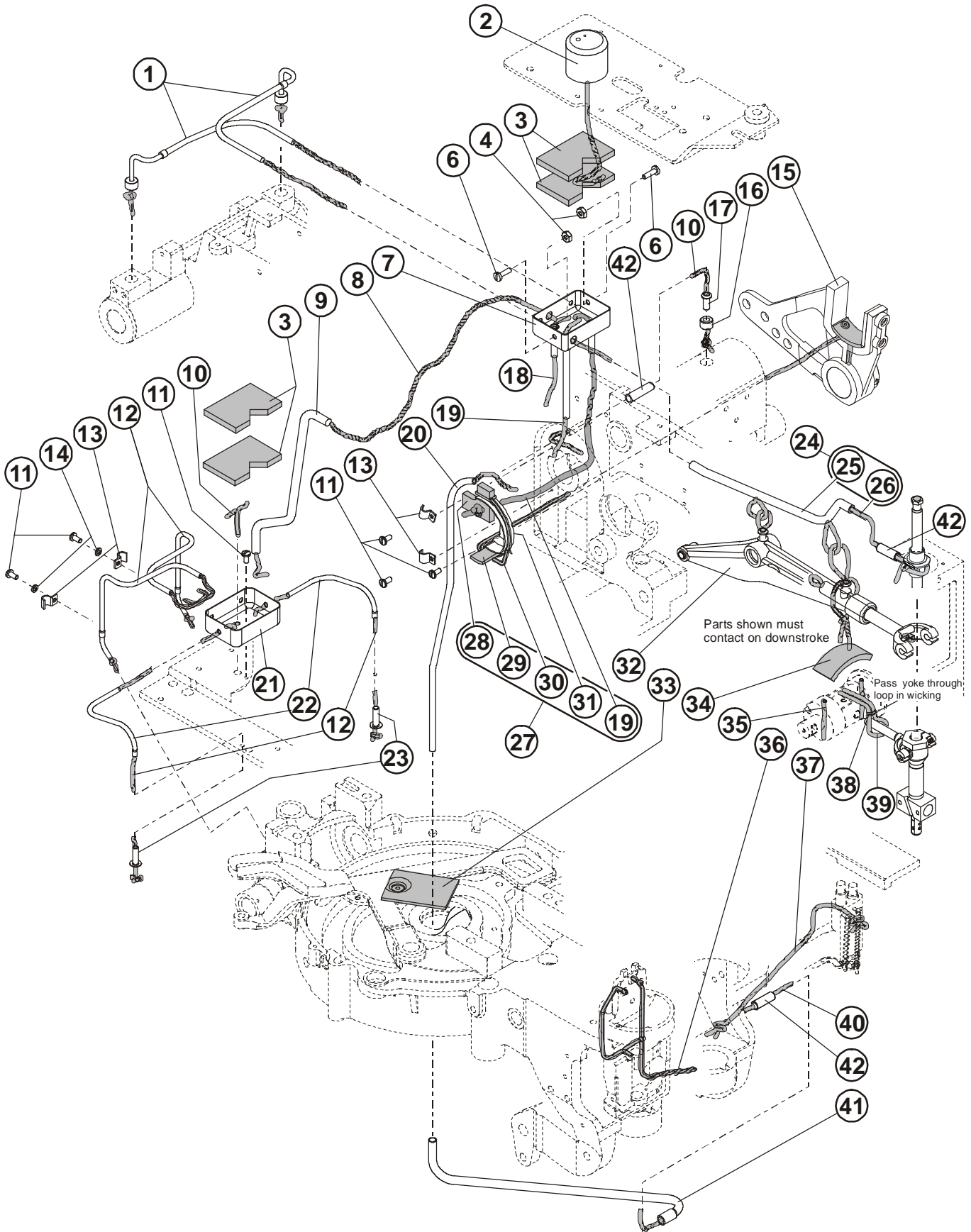
Revised 08/2011

E-mail: [service@amfreece.cz](mailto:service@amfreece.cz); [parts@amfreece.cz](mailto:parts@amfreece.cz) ; website: [www.amfreece.com](http://www.amfreece.com)  
Phone: +420 582 309 286; Fax: +420 582 360 606





# OILING SYSTEM



Revised 08/2011

E-mail: [service@amfreece.cz](mailto:service@amfreece.cz); [parts@amfreece.cz](mailto:parts@amfreece.cz) ; website: [www.amfreece.com](http://www.amfreece.com)  
 Phone: +420 582 309 286; Fax: +420 582 360 606

## OILING SYSTEM

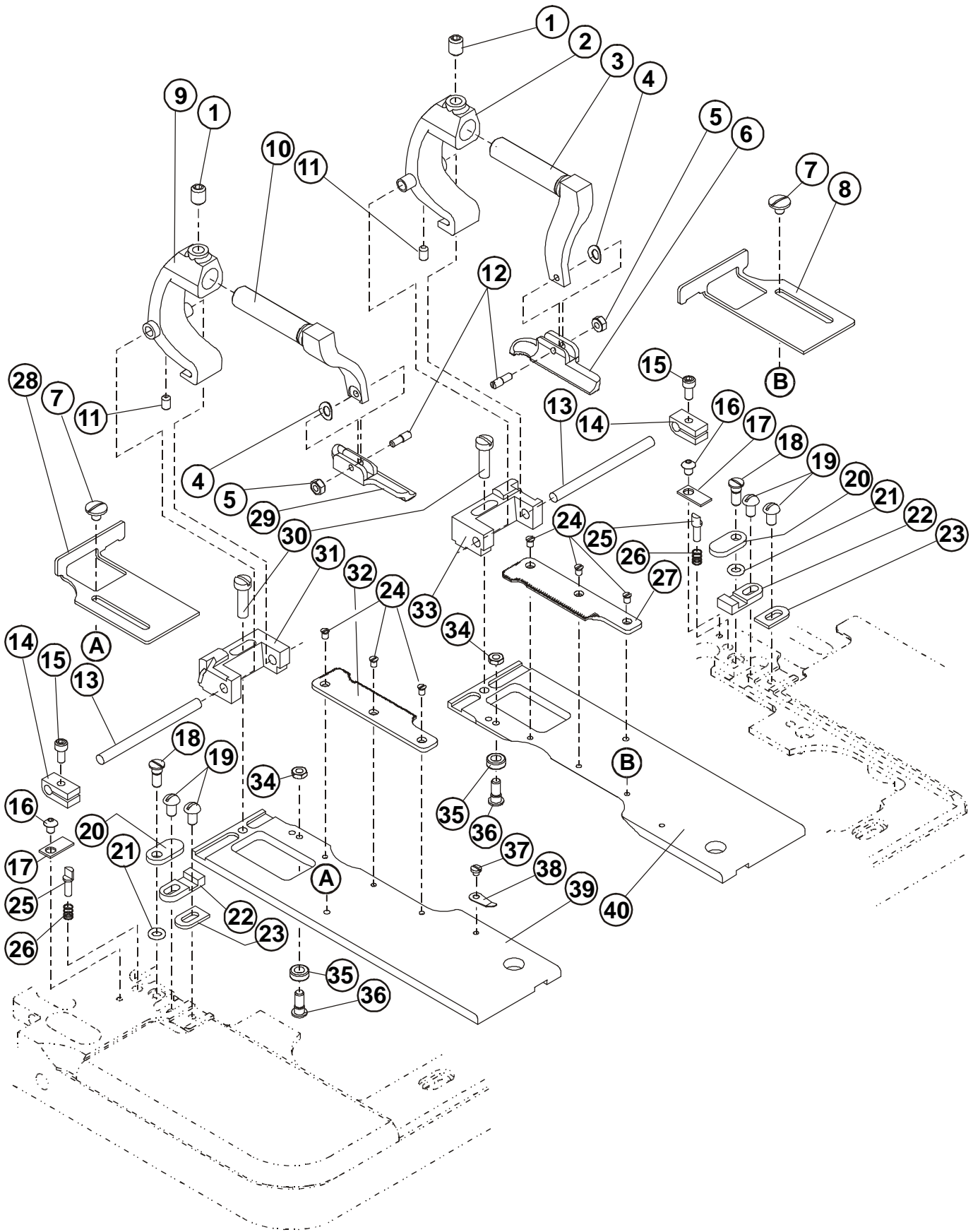
DET	PART NUMBER	DESCRIPTION	QTY.
01	14.1030.0.000	Wick Assembly	2
02	See Page 3-48	Sight Gase Assembly	—
03	14.1003.0.000	Reservoir Oil Pad	4
04	01.3401.0.000	Nut	2
06	01.2811.0.000	Screw	2
07	14.1020.0.100	Upper Oil Reservoir	1
08	07.0514.0.000	Wick	1
09	07.0059.1.008	Tubing	1
10	07.0400.0.004	Wick	2
11	01.2241.0.001	Screw	6
12	07.0401.0.009	Wick	4
13	17.0082.6.000	Tube Clip	4
14	01.4406.0.000	Washer	2
15	See Page 3-36	Follower-Feed Cam Assembly	—
16	14.1023.0.000	Ring Insert	1
17	05.1105.0.000	Oil Inlet	1
18	07.0400.0.005	Wick	1
19	07.0400.0.007	Wick	1+(1)
20	14.1005.0.000	Oil Transfer Tube	1
21	14.1008.0.000	Lower Oil Reservoir	1
22	04.2040.0.005	Tubing	2
23	40.0593.0.000	Oil Inlet	2
24	14.1009.0.000	Needle Bar Wicking ass.	1
25	07.0059.0.000	Tubing	(1)
26	07.0400.0.000	Wick	(1)
27	14.1006.0.050	Retainer Oil Pad Assembly	1
28	14.1007.0.001	Pad - Oil - L - Shaped	(1)
29	14.1007.0.000	Pad Oil	(1)
30	12.0008.6.953	Wick	(1)
31	14.1006.0.000	Retainer Oil Pad	(1)
32	See Page 3-44	Felt Pad	—
33	See Page 3-14	Stitch Drive Lever Assembly	—
34	14.1015.0.000	Vibrator Barrel Oil Pad	1
35	07.0400.0.004	Wick	2
36	See Page 3-20	Race Assembly* AF-CB	—
37	See Page 3-16	Wick	—
38	07.0401.0.004	Wick	1
39	07.0400.0.003	Wick	1
40	07.0400.0.024	Wick	1
41	07.0095.1.010	Tubing	1
42	14.1019.0.000	Tubing Cut	2+(1)

Revised 08/2011

E-mail: [service@amfreece.cz](mailto:service@amfreece.cz); [parts@amfreece.cz](mailto:parts@amfreece.cz) ; website: [www.amfreece.com](http://www.amfreece.com)

Phone: +420 582 309 286; Fax: +420 582 360 606

# CLAMP PLATE ASSEMBLY

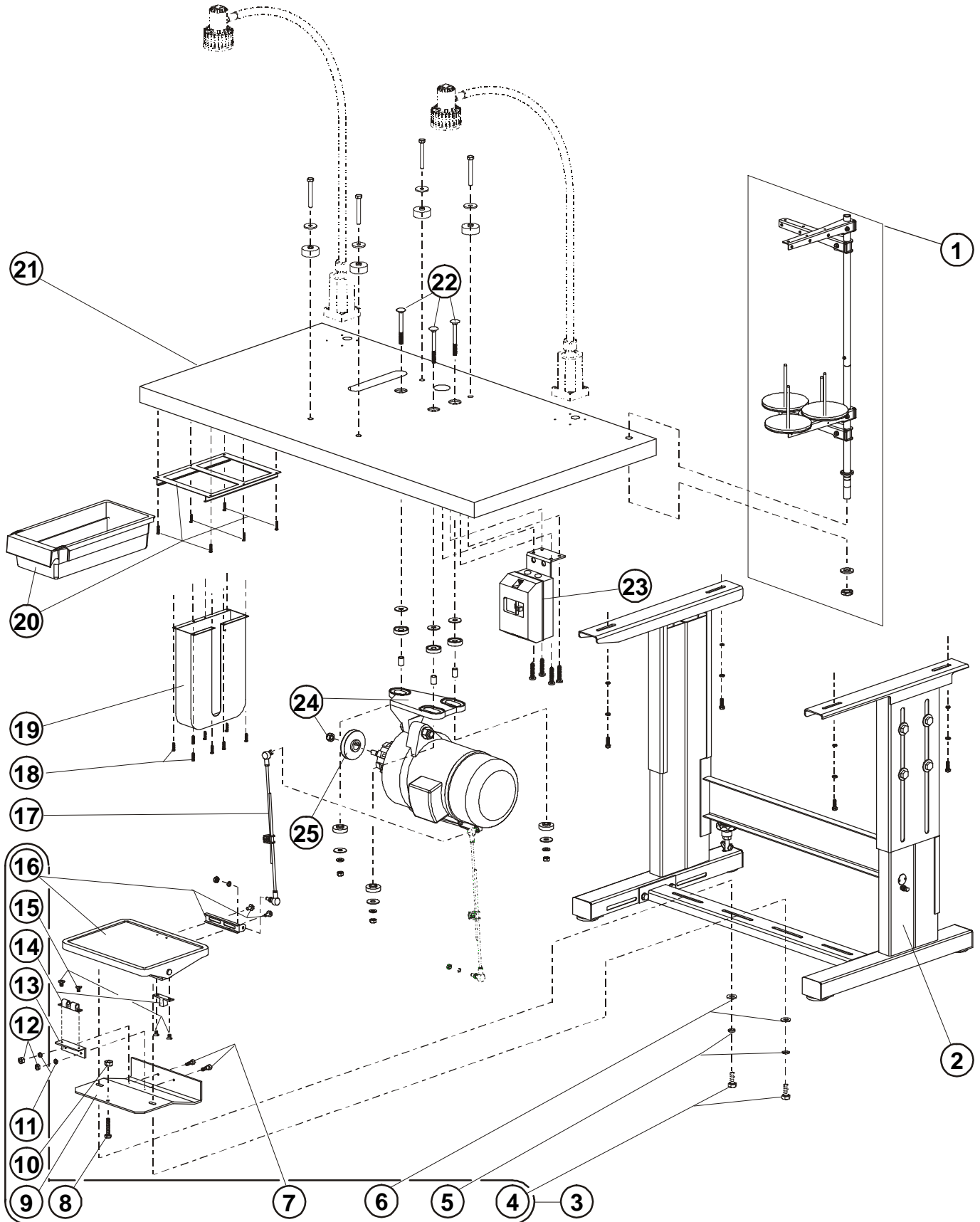


Revised 08/2011

E-mail: [service@amfreece.cz](mailto:service@amfreece.cz); [parts@amfreece.cz](mailto:parts@amfreece.cz) ; website: [www.amfreece.com](http://www.amfreece.com)  
Phone: +420 582 309 286; Fax: +420 582 360 606



# REGULAR TABLE



Revised 08/2011

E-mail: [service@amfreece.cz](mailto:service@amfreece.cz); [parts@amfreece.cz](mailto:parts@amfreece.cz) ; website: [www.amfreece.com](http://www.amfreece.com)  
Phone: +420 582 309 286; Fax: +420 582 360 606

## REGULAR TABLE

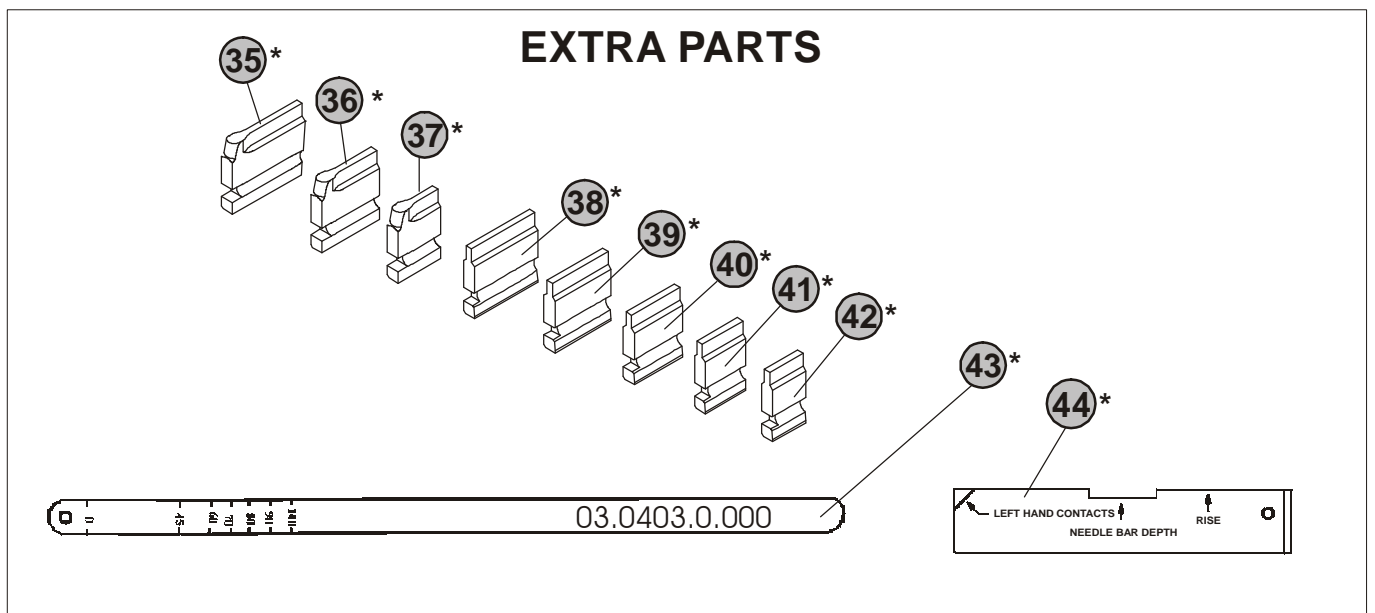
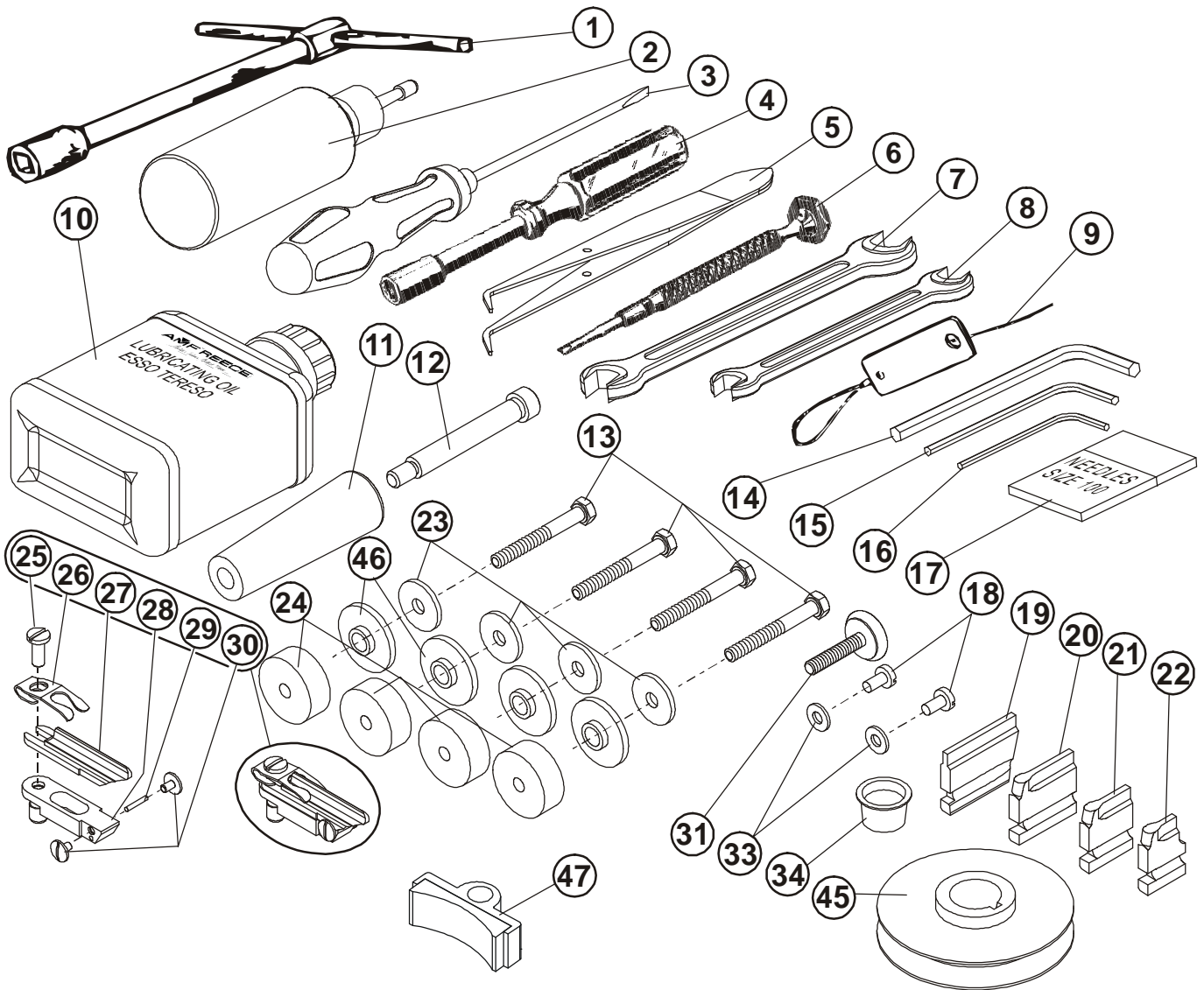
DET	PART NUMBER	DESCRIPTION	QTY.
01	17.0094.6.009	Thread Stand	1
02	04.9000.0.123	Frame Kit Assembly	1
03	22.0218.0.000	Footswitch Assembly	1
04	08.6312.8.020	Screw M8x20	(2)
05	08.6802.8.000	Spring Washer	(2)
06	08.6852.8.000	Washer 8	(2)
07	08.6000.4.012	Screw M4x12	(2)
08	08.6312.8.040	Screw M8x12	(1)
09	22.0217.0.000	Foot Pedal Holder	(1)
10	08.6702.8.000	Nut M8	(1)
11	08.6800.4.000	Spring Washer 8	(2)
12	08.6700.4.000	Nut M4	(2)
13	22.0216.0.000	Latch Bracket	(1)
14	04.9000.0.802	Tension Latch	(1)
15	08.6100.4.006	Screw M4x6	(4)
16	04.9002.0.000	Footswitch Assembly	(1)
17	04.1956.1.000	Operating Rod-Ball Joint Assembly	(1)
18	—	Screw	—
19	17.0083.1.655	Cover	1
20	12.0008.6.901	Drawer Kit	1
21	04.1554.5.000	Table	1
22	08.6532.8.070	Screw M8x70	3
23	12.0008.4.502	Motor Starter 230V 1Ph	—
	12.0008.4.503	Motor Starter 230—400V 3Ph	
	12.0008.4.504	Motor Starter 230V 3Ph	
	12.0008.4.505	Motor Starter 110V 1Ph	
24	17.0007.8.171	Motor FIR 110V / 60Hz 1Ph	—
	17.0007.8.172	Motor FIR 240V / 50Hz 1Ph	
	17.0007.8.173	Motor FIR 240—400V / 50—60 Hz 3Ph	
25	17.0055.4.415	Pulley 60 Hz	—
	17.0055.4.416	Pulley 50 Hz	

Revised 08/2011

E-mail: [service@amfreece.cz](mailto:service@amfreece.cz); [parts@amfreece.cz](mailto:parts@amfreece.cz) ; website: [www.amfreece.com](http://www.amfreece.com)

Phone: +420 582 309 286; Fax: +420 582 360 606

**TOOLS, SUPPLIES & ACCESSORIES**



Revised 08/2011

E-mail: [service@amfreece.cz](mailto:service@amfreece.cz); [parts@amfreece.cz](mailto:parts@amfreece.cz) ; website: [www.amfreece.com](http://www.amfreece.com)  
Phone: +420 582 309 286; Fax: +420 582 360 606



**TOOLS, SUPPLES & ACCESSORIES**

DET	PART NUMBER	DESCRIPTION	QTY.
01	03.0048.2.000	Sq. Soket Wrench 7/16"	1
02	05.1322.0.000	Oil Can	1
03	03.0024.0.187	Screwdriver 3" Blade	1
04	03.0007.0.000	Soket Wrench 1/4"	1
05	12.0008.6.215	Tweezers	1
06	03.0038.0.000	Screwdriver	1
07	03.0019.0.000	Wrench 1/4"	1
08	03.0018.0.000	Hex Wrench 5/16"	1
09	03.0020.0.000	Threading Wire	1
10	05.0090.1.000	Lubricating Oil 8 oz. 68	1
11	See Page 3-8	Handle	—
12	See Page 3-8	Screw	—
13	08.6300.8.065	Screw	4
14	12.0008.6.104	Hex Key 6 mm	1
15	03.0054.0.000	Hex Wrench 3/32"	1
16	12.0008.6.100	Wrench 5/64"	1
17	02.0501.0.111	Needles	10
18	See Page 3-4	Screw	2
19	10.1069.0.016	Cutting Steel 1 1/4"	1
20	10.1069.0.005	Cutting Steel 1"	1
21	10.1069.0.003	Cutting Steel 3/4"	1
22	10.1069.0.001	Cutting Steel 1/2"	1
23	17.0019.0.441	Washer	4
24	19.0095.1.405	Rubber Washer	4
25	01.2039.0.000	Screw	1
26	10.3074.0.011	Cloth Lifting Spring*CB	1
27	10.3072.0.023	Knife	1
28	10.3071.1.250	Knife Pad	1
29	01.6036.0.000	Pin	1
30	01.2102.0.000	Screw	2
31	See Page 3-6	Leveler	1
32			
33	See Page 3-4	Washer	2
34	See Page 3-6	Red Cap Plug	1
35*	10.1069.0.006	Cutting Steel 1 1/8"	—
36*	10.1069.0.004	Cutting Steel 7/8"	—
37*	10.1069.0.002	Cutting Steel 5/8"	—
38*	10.1069.0.013	Cutting Steel 7/8"	—
39*	10.1069.0.012	Cutting Steel 3/4"	—
40*	10.1069.0.011	Cutting Steel 5/8"	—
41*	10.1069.0.010	Cutting Steel 1/2"	—
42*	10.1069.0.014	Cutting Steel 1"	—
43*	03.0403.0.000	Clutch Gauge	—
44*	03.0279.0.000	Gauge	—
45	17.0055.4.416	Puley 50 Hz	1
46	17.0095.1.272	Rubber Washer	4
47	17.0002.4.121	Brake Ass	1

\* — Extra Parts

Revised 08/2011

E-mail: [service@amfreece.cz](mailto:service@amfreece.cz); [parts@amfreece.cz](mailto:parts@amfreece.cz) ; website: [www.amfreece.com](http://www.amfreece.com)

Phone: +420 582 309 286; Fax: +420 582 360 606



# INDEX

PART NUMBER	PAGE	DET	QTY	PART NUMBER	PAGE	DET	QTY	PART NUMBER	PAGE	DET	QTY
<b>27513603</b>				01.1686.0.401	27	22	((4))	01.2056.0.000	19	65	1
27513603	3	05	(1)	01.1728.0.401	3	47	2	01.2059.0.000	19	31	(1)
				01.1739.0.101	33	07	2	01.2063.0.000	23	09	1
<b>01.1006.0.000</b>				<b>01.1831.0.000</b>				01.2066.0.000	35	08	1
01.1006.0.000	19	54	(2)	01.1831.0.000	41	10	(1)	01.2067.0.000	11	13	2
01.1020.1.000	27	19	2	01.1889.0.000	47	21	2	01.2071.0.000	13	27	1
01.1021.0.000	27	08	4	<b>01.1975.0.000</b>				01.2073.0.000	19	10	(2)
01.1028.0.000	37	16	1	01.1975.0.000	43	28	(1)	01.2073.0.000	19	47	(3)
01.1076.0.000	27	74	1	01.1983.0.000	47	38	2	01.2075.0.000	9	35	5
01.1095.0.000	39	24	1	01.1986.0.000	43	14	1	01.2075.0.001	35	31	2
<b>01.1112.0.000</b>				<b>01.2001.0.000</b>				01.2079.0.000	17	46	2
01.1112.0.000	49	04	2	01.2001.0.000	19	28	(4)	01.2081.0.000	19	42	(1)
01.1113.0.000	49	11	(1)	01.2004.0.000	13	20	1	01.2081.0.000	19	59	1
01.1114.0.000	49	24	1	01.2006.0.000	17	12	1	01.2084.0.000	35	19	2
01.1130.0.000	31	31	(1)	01.2008.0.000	9	40	(2)	01.2085.0.000	15	18	2
01.1132.0.000	37	21	1	01.2008.0.000	47	33	2	01.2088.0.000	17	10	2
01.1137.0.000	53	12	2	01.2011.0.000	45	17	1	<b>01.2102.0.000</b>			
01.1147.0.002	13	33	1	01.2013.0.000	31	12	(3)	01.2102.0.000	31	26	2
01.1151.0.000	23	04	1	01.2014.0.000	17	06	(2)	01.2102.0.000	57	30	2
<b>01.1238.0.000</b>				01.2015.0.000	53	24	6	01.2111.0.001	53	07	2
01.1238.0.000	27	28	(2)	01.2016.0.000	15	13	1	01.2128.0.000	7	13	2
01.1241.0.001	47	10	2	01.2016.0.000	17	40	(1)	01.2130.0.000	37	04	2
01.1257.0.000	31	07	1	01.2022.0.000	37	24	(2)	01.2131.0.000	25	09	4
<b>01.1393.0.000</b>				01.2024.0.000	19	50	(1)	01.2144.0.000	25	24	1
01.1393.0.000	5	61	(1)	01.2028.0.000	17	07	(2)	01.2146.0.000	37	13	1
01.1393.0.001	49	08	(1)	01.2031.0.000	11	16	2	01.2171.0.000	25	29	(1)
<b>01.1432.0.000</b>				01.2032.1.000	13	15	1	01.2175.0.000	25	08	2
01.1432.0.000	17	31	2	01.2033.0.000	11	11	1	01.2193.0.000	47	16	1
01.1447.0.000	17	18	1	01.2035.0.000	9	28	(1)	<b>01.2241.0.001</b>			
01.1453.0.000	3	16	(1)	01.2038.0.000	31	28	1	01.2241.0.001	51	11	6
01.1457.0.000	27	59	1	01.2039.0.000	31	20	1	01.2241.0.002	3	13	(3)
01.1470.0.000	9	05	(1)	01.2039.0.000	31	29	2	01.2241.0.002	27	65	2
01.1480.0.000	5	56	2	01.2039.0.000	49	18	2	01.2247.0.000	5	80	2+(2)
<b>01.1557.0.000</b>				01.2039.0.000	57	25	1	01.2247.0.000	49	20	4
01.1557.0.000	53	01	2	<b>01.2041.0.000</b>				01.2247.0.002	7	17	5
01.1568.0.001	9	15	(2)	01.2041.0.000	13	31	1	01.2247.0.004	3	42	2
01.1594.0.000	17	43	1	01.2041.0.000	23	44	1	01.2247.0.004	25	32	1
<b>01.1601.0.001</b>				01.2041.0.000	35	30	2	01.2260.0.603	5	71	1
01.1601.0.001	27	67	2	01.2041.0.000	37	14	1	<b>01.2312.0.000</b>			
01.1601.0.007	27	69	2	01.2042.0.000	39	26	1	01.2312.0.000	53	19	4
01.1639.0.000	45	28	2	01.2043.0.000	17	27	2	01.2318.0.000	19	16	(1)
01.1649.0.004	27	79	1	01.2045.0.000	27	87	1	01.2321.0.000	39	15	1
01.1661.0.001	3	20	(4)	01.2046.0.000	27	51	1	01.2324.0.000	15	26	1
01.1661.0.001	47	02	4	01.2046.0.000	27	52	1	01.2344.0.000	27	60	2
				01.2051.0.000	53	30	2	01.2344.0.000	37	01	1
				01.2053.0.000	53	37	1	01.2347.0.000	11	20	(2)
								01.2361.0.000	19	13	(1)

Revised 11/2011

e-mail: [service@amfreece.cz](mailto:service@amfreece.cz); [parts@amfreece.cz](mailto:parts@amfreece.cz); website: [www.amfreece.com](http://www.amfreece.com)

Phone: +420 582 309 286; Fax: +420 582 360 606

# INDEX

PART NUMBER	PAGE	DET	QTY	PART NUMBER	PAGE	DET	QTY	PART NUMBER	PAGE	DET	QTY
01.2362.0.000	49	37	(2)	<b>01.3001.0.000</b>				01.4002.0.000	7	42	1
01.2386.0.000	11	01	2	01.3001.0.000	19	55	1	01.4003.0.000	7	28	3
01.2386.0.000	13	05	(1)	01.3001.0.000	25	33	1	01.4003.0.000	31	32	(1)
01.2388.0.000	11	24	2	01.3001.0.000	27	43	(2)	01.4003.0.000	35	29	2
<b>01.2412.0.000</b>				01.3001.0.000	31	09	(2)	01.4004.0.000	41	16	(1)
01.2412.0.000	15	02	2	01.3001.0.000	53	34	2	01.4005.0.000	15	22	1
01.2412.0.000	27	40	((1))	01.3005.0.000	11	09	1	01.4005.0.000	17	37	1
01.2412.0.000	39	02	1	01.3005.0.000	19	45	(1)	01.4005.0.000	27	46	(1)
01.2413.0.000	45	02	2	01.3005.0.000	23	03	1	01.4009.0.000	9	25	1
01.2419.0.000	47	23	(2)	01.3005.0.000	27	54	1	01.4009.0.001	9	20	1
01.2419.0.001	23	35	((1))	01.3005.0.000	35	24	1	01.4010.0.000	23	32	(1)
01.2419.0.001	47	28	(1)	01.3005.0.000	37	02	2	01.4011.0.000	39	11	1
01.2436.0.000	9	42	(2)	01.3005.0.000	39	10	1	01.4012.0.000	19	23	(1)
01.2442.0.001	13	36	1	01.3005.0.000	45	12	1	01.4013.0.000	19	51	(2)
01.2482.0.000	27	44	(2)	01.3006.0.000	31	17	(2)	01.4015.0.000	19	15	(1)
01.2493.0.000	7	29	3	01.3007.0.000	11	05	6	01.4019.0.000	37	25	(2)
<b>01.2509.0.000</b>				01.3007.0.000	13	12	1	01.4038.0.000	53	04	2
01.2509.0.000	49	03	1	01.3007.0.000	27	42	(3)	01.4042.0.000	27	31	(2)
01.2539.0.000	27	27	(1)	01.3010.0.000	23	28	1	01.4042.0.000	37	03	1
01.2539.0.001	27	24	(1)	01.3011.0.000	35	18	1	01.4046.0.000	17	11	2
01.2543.0.000	37	09	1	01.3013.0.000	15	21	1	01.4061.0.000	11	21	(2)
01.2557.0.001	47	09	2	01.3013.0.000	17	38	(1)	01.4063.0.000	13	02	1
01.2557.0.001	53	11	2	01.3013.0.000	27	45	(1)	01.4063.0.000	15	17	2
01.2558.0.000	53	15	2	01.3014.0.000	27	75	1	01.4063.0.000	27	68	1
<b>01.2659.0.000</b>				01.3015.0.000	11	14	2	01.4063.0.000	35	16	1
01.2659.0.000	47	12	2	01.3016.0.000	25	17	(1)	01.4067.0.000	27	02	2
01.2667.0.000	19	17	(1)	01.3016.0.000	27	86	1	01.4074.0.000	49	10	(1)
<b>01.2712.0.000</b>				01.3016.0.000	53	05	2	01.4081.0.005	19	71	
01.2712.0.000	43	21	(3)	01.3018.0.000	19	72	1	01.4081.0.005	47	32	1
01.2729.0.000	53	16	2	01.3019.0.000	37	20	1	01.4081.0.006	19	71	
01.2732.0.300	3	44	1	01.3020.0.000	23	39	(2)	01.4081.0.006	47	32	1
<b>01.2811.0.000</b>				01.3020.0.000	35	22	1	01.4081.0.008	19	71	
01.2811.0.000	51	06	2	01.3020.0.001	45	15	1	01.4081.0.008	47	32	1
01.2816.0.000	5	69	2	01.3025.0.000	19	12	(1)	01.4081.0.009	19	71	1
01.2845.0.000	5	57	8	01.3025.0.000	23	26	(1)	01.4081.0.009	47	32	1
01.2849.0.002	33	02	2	01.3025.0.000	49	01	1	01.4081.0.010	19	71	
01.2871.0.000	5	52	(2)	01.3042.0.000	37	19	2	01.4081.0.010	47	32	1
01.2877.0.000	7	01	3	01.3059.0.000	11	06	1	01.4081.0.011	19	71	
01.2877.0.003	7	18	1	<b>01.3400.0.000</b>				01.4081.0.011	47	32	1
01.2884.0.000	3	34	(2)	01.3400.0.000	23	12	1	01.4081.0.012	19	71	
01.2885.0.003	3	40	2)(2)(2)8	01.3400.0.000	41	21	(2)	01.4081.0.012	47	32	1
01.2886.0.000	7	47	2	01.3401.0.000	51	04	2	<b>01.4121.0.000</b>			
01.2886.0.002	35	07	2	01.3402.0.000	5	88	2	01.4121.0.000	27	29	(4)
01.2981.0.001	27	90	2	01.3404.0.000	27	30	(2)+2	01.4154.0.000	17	44	1
				01.3415.0.000	27	80	1	01.4305.0.000	3	39	(2)
				<b>01.4001.0.000</b>				<b>01.4406.0.000</b>			
				01.4001.0.000	13	21	1	01.4406.0.000	3	14	(3)
				01.4001.0.000	31	08	(1)	01.4406.0.000	51	14	2

Revised 11/2011

e-mail: [service@amfreece.cz](mailto:service@amfreece.cz); [parts@amfreece.cz](mailto:parts@amfreece.cz); website: [www.amfreece.com](http://www.amfreece.com)

Phone: +420 582 309 286; Fax: +420 582 360 606

**INDEX**

PART NUMBER	PAGE	DET	QTY	PART NUMBER	PAGE	DET	QTY	PART NUMBER	PAGE	DET	QTY
01.4407.0.000	5	81	(2)	01.5014.0.000	39	19	1	01.6013.0.000	19	36	((1))
01.4407.0.000	25	31	1	01.5015.0.000	27	73	1	01.6014.0.000	27	72	1+(1)
01.4407.0.000	39	03	1	01.5017.0.000	9	10	(1)	01.6014.0.000	41	12	(1)
01.4412.0.000	3	49	6	01.5019.0.000	13	28	1	01.6018.0.000	19	37	((2))
01.4412.0.000	7	15	2	01.5020.0.000	13	18	1	01.6020.0.000	35	27	(1)
01.4426.0.000	53	21	2	01.5023.0.000	27	14	1	01.6026.0.000	31	15	((1))
01.4445.0.000	27	82	2	01.5026.0.000	19	43	((2))	01.6030.0.000	39	22	(1)
01.4472.0.000	17	29	2	01.5027.0.000	19	57	1	01.6031.0.000	17	14	1
01.4482.0.000	9	16	1	01.5028.0.000	19	63	1	01.6036.0.000	31	25	1
<b>01.4503.0.000</b>				01.5041.0.000	19	39	(1)	01.6036.0.000	57	29	1
01.4503.0.000	37	18	2	01.5054.0.000	17	03	2	01.6074.0.000	27	10	(2)
01.4522.0.000	13	32	1	01.5055.0.000	13	22	1	01.6075.0.000	27	06	(2)
01.4522.0.000	15	14	1	01.5061.0.000	7	40	1	<b>01.6135.0.000</b>			
01.4522.0.000	17	39	1	01.5061.0.000	31	11	(1)	01.6135.0.000	13	06	(1)
01.4547.0.000	5	68	(2)	01.5075.0.000	39	07	1	01.6166.0.000	39	17	(1)
01.4547.0.000	5	73	(2)	01.5088.0.000	35	09	1				
01.4549.0.000	3	45	1	<b>01.5134.0.000</b>				01.6280.0.000			
01.4559.0.000	7	46	2	01.5134.0.000	25	14	1	01.6280.0.000	25	04	(2)
01.4559.0.000	27	34	(2)	01.5163.0.000	49	25	1	01.6285.0.000	3	41	(2)
01.4572.0.000	7	14	2	01.5167.0.000	47	19	1	01.6286.0.001	3	37	(2)
01.4578.0.000	5	58	8	01.5172.0.000	15	04	1				
01.4579.0.000	5	51	(2)	01.5173.0.000	31	33	(1)	01.6334.0.000			
01.4579.0.000	5	59	8	01.5236.0.000	3	38	(2)	01.6334.0.000	49	38	1
01.4581.0.000	7	02	4	<b>01.5429.0.000</b>				01.6345.0.000	11	08	1
<b>01.4672.0.002</b>				01.5429.0.000	47	08	1	01.6368.0.000	25	25	1
01.4672.0.002	11	02	4	01.5433.0.000	25	28	1	01.6384.0.000	43	27	(1)
01.4672.0.301	3	48	4	01.5447.0.000	37	05	1	<b>01.6422.0.005</b>			
01.4673.0.000	3	35	(2)	01.5448.0.000	37	10	1	01.6422.0.005	9	08	(1)
<b>01.4701.0.000</b>				01.5457.0.000	53	26	2	01.6428.0.000	37	06	2
01.4701.0.000	7	32	(1)	01.5473.0.000	13	07	1	<b>01.6515.0.000</b>			
01.4701.0.000	17	19	1	01.5475.0.000	27	58	1	01.6515.0.000	43	19	((2))
01.4747.0.000	9	19	2	<b>01.5602.0.000</b>				01.6528.0.000	25	27	1
01.4751.0.000	23	19	(2)	01.5602.0.000	7	21	(1)	01.6551.0.000	7	08	(2)
01.4752.0.000	41	20	(2)	01.5603.0.000	49	16	1	01.6555.0.000	27	05	(2)
01.4764.0.000	9	09	(1)	01.5604.0.000	13	42	1	01.6564.0.000	45	30	2
01.4777.0.000	3	06	(1)	01.5605.0.000	41	19	(1)	01.6569.0.002	7	26	(1)
01.4781.0.701	3	43	3	01.5606.0.000	43	11	(1)	01.6582.0.000	7	10	(1)+(1)
01.4905.0.000	9	18	1	01.5619.0.000	19	38	(1)	<b>01.6612.0.000</b>			
<b>01.5002.0.000</b>				01.5620.0.000	19	09	(1)	01.6612.0.000	25	07	(1)
01.5002.0.000	49	27	1	<b>01.6004.0.000</b>				01.6673.0.002	49	34	(1)
01.5003.0.000	41	09	(1)	01.6004.0.000	19	68	(1)	<b>01.6831.0.001</b>			
01.5003.0.000	47	35	2	01.6005.0.000	39	18	(1)	01.6831.0.001	7	22	(1)
01.5005.0.001	23	13	1	01.6006.0.000	27	41	((1))	01.6833.0.002	35	28	(1)
01.5006.0.001	31	36	1	01.6006.0.000	31	04	((1))	01.6837.0.000	31	05	((1))
01.5011.0.000	41	13	(1)	01.6010.0.000	25	20	(1)	01.6839.0.001	27	12	2
01.5013.0.000	27	64	1	01.6010.0.000	31	16	((1))				

Revised 11/2011

e-mail: [service@amfreece.cz](mailto:service@amfreece.cz); [parts@amfreece.cz](mailto:parts@amfreece.cz); website: [www.amfreece.com](http://www.amfreece.com)

Phone: +420 582 309 286; Fax: +420 582 360 606

# INDEX

PART NUMBER	PAGE	DET	QTY	PART NUMBER	PAGE	DET	QTY	PART NUMBER	PAGE	DET	QTY
<b>01.6970.0.000</b>				03.6000.0.216	27	32	(2)	07.0514.0.000	51	08	1
01.6970.0.000	9	31	1	03.6000.1.208	9	21	(1)	07.6042.1.001	41	18	(1)
01.6982.0.001	17	02	2					07.6481.0.014	7	34	1
01.6982.0.002	13	41	(1)	<b>04.1283.0.001</b>							
<b>01.7004.0.000</b>				04.1283.0.001	7	44	1	<b>08.6000.4.012</b>			
01.7004.0.000	15	25	1	04.1554.5.000	55	21	1	08.6000.4.012	55	07	(2)
01.7015.0.000	47	26	(1)	04.1712.0.000	7	49	1	08.6000.4.035	39	01	1
01.7022.0.000	19	53	(2)	04.1791.0.000	7	39	1	08.6010.4.008	43	09	(1)
01.7023.0.000	15	11	1	04.1956.1.000	55	17	(1)	08.6010.4.012	43	03	(2)
01.7038.1.000	37	33	1	04.2040.0.005	51	22	2	08.6100.4.006	55	15	(4)
01.7040.0.000	9	32	1	04.9000.0.123	55	02	1	08.6100.6.050	43	02	(1)
01.7043.0.000	15	10	1	04.9000.0.802	55	14	(1)	08.6300.8.065	57	13	4
01.7309.0.901	23	41	(2)	04.9002.0.000	55	16	(1)	08.6312.8.020	55	04	(2)
								08.6312.8.040	55	08	(1)
<b>01.7435.1.000</b>				<b>05.0043.1.000</b>				08.6400.5.305	37	32	2
01.7435.1.000	25	11	1	05.0043.1.000	49	21	1	08.6532.8.070	55	22	3
01.7447.0.001	7	12	(1)+(1)	05.0090.1.000	57	10	1	08.6700.4.000	39	05	2
01.7447.1.000	7	06	(2)	05.0144.0.000	27	77	1	08.6700.4.000	55	12	(2)
				05.0531.0.001	45	26	1	08.6702.8.000	55	10	(1)
<b>01.7625.0.000</b>				05.1103.0.000	33	09	1	08.6707.1.000	17	41	4
01.7625.0.000	3	25	2	05.1105.0.000	51	17	1	08.6800.4.000	55	11	(2)
01.7626.0.001	49	31	(1)	05.1184.1.000	49	23	1	08.6802.8.000	55	05	(2)
01.7630.0.001	23	20	(1)	05.1322.0.000	57	02	1	08.6850.4.000	5	87	2
01.7653.0.000	9	02	(1)	05.1368.0.000	19	46	(1)	08.6850.7.001	31	34	(1)
01.7667.0.000	43	17	(2)	05.4112.0.000	3	04	(1)	08.6850.7.003	27	66	2
01.7668.0.000	9	22	2	06.0621.0.000	3	32	(2)	08.6852.6.000	35	23	1
01.7722.0.000	9	03	(1)					08.6852.8.000	55	06	(2)
				<b>07.0059.0.000</b>				08.6962.2.009	5	85	(2)
<b>01.8002.0.000</b>				07.0059.0.000	51	25	(1)				
01.8002.0.000	43	30	1	07.0059.1.008	51	09	1	<b>10.1003.0.000</b>			
01.8007.0.001	9	30	1	07.0086.0.001	7	24	(1)+1	10.1003.0.000	49	15	1
01.8401.0.001	27	38	(1)	07.0087.0.000	7	33	1	10.1004.0.000	49	14	1
01.8413.0.000	33	03	2	07.0087.0.001	7	35	2	10.1008.0.000	49	29	1
				07.0095.1.010	51	41	1	10.1009.0.000	49	28	1
<b>02.0501.0.111</b>								10.1010.0.000	49	26	1
02.0501.0.111	47	17	1	<b>07.0400.0.000</b>				10.1014.1.000	47	03	1
02.0501.0.111	57	17	10	07.0400.0.000	37	30	(1)	10.1016.2.000	47	07	(1)
				07.0400.0.000	51	26	(1)	10.1021.2.000	47	36	2
<b>03.0007.0.000</b>				07.0400.0.003	17	48	1	10.1022.0.000	47	34	2
03.0007.0.000	57	04	1	07.0400.0.003	51	39	1	10.1023.3.000	47	30	1
03.0018.0.000	57	08	1	07.0400.0.004	51	10	2	10.1024.0.001	45	14	1
03.0019.0.000	57	07	1	07.0400.0.004	51	35	2	10.1024.0.001	47	14	2
03.0020.0.000	57	09	1	07.0400.0.005	51	18	1	10.1024.0.002	45	14	1
03.0024.0.187	57	03	1	07.0400.0.007	17	49	1	10.1024.0.002	47	14	2
03.0038.0.000	57	06	1	07.0400.0.007	51	19	1+(1)	10.1024.0.003	45	14	1
03.0048.2.000	57	01	1	07.0400.0.024	51	40	1	10.1024.0.003	47	14	2
03.0054.0.000	57	15	1	07.0401.0.000	19	73	1	10.1027.1.050	47	22	2
03.0279.0.000	57	44*	—	07.0401.0.004	51	38	1	10.1029.1.000	47	18	2
03.0403.0.000	57	43*	—	07.0401.0.009	19	33	((1))	10.1030.0.017	47	20	1
				07.0401.0.009	51	12	4	10.1031.0.000	45	23	1

Revised 11/2011

e-mail: [service@amfreece.cz](mailto:service@amfreece.cz); [parts@amfreece.cz](mailto:parts@amfreece.cz); website: [www.amfreece.com](http://www.amfreece.com)

Phone: +420 582 309 286; Fax: +420 582 360 606

**INDEX**

PART NUMBER	PAGE	DET	QTY	PART NUMBER	PAGE	DET	QTY	PART NUMBER	PAGE	DET	QTY
10.1032.0.000	47	01	1	<b>10.1107.0.801</b>				<b>10.2006.2.000</b>			
10.1033.1.000	47	29	1	10.1107.0.801	37	27	(1)	10.2006.2.000	15	08	1
10.1034.0.000	45	18	1	10.1109.3.000	37	22	1	10.2007.0.000	15	09	1
10.1037.0.000	45	08	1	10.1113.0.000	39	12	1	10.2007.0.350	37	11	1
10.1038.2.000	45	09	1	10.1114.1.000	39	08	(1)	10.2008.0.000	13	01	1
10.1039.0.000	45	10	2	10.1115.0.000	39	28	1	10.2011.0.000	13	29	1
10.1040.0.000	45	13	1	10.1117.0.000	39	13	1	10.2012.0.000	13	09	1
10.1044.0.000	45	25	1	10.1118.0.000	39	16	1	10.2014.0.000	13	16	1
10.1045.2.000	47	25	(1)	10.1119.0.000	39	20	1	10.2015.0.000	13	17	1
10.1053.0.000	23	16	(2)	10.1120.0.000	39	21	1	10.2016.0.000	39	27	1
10.1053.0.000	35	11	1	10.1121.0.017	39	25	1	10.2018.1.250	35	20	1
10.1054.0.000	23	21	1					10.2019.0.000	27	88	1
10.1055.0.000	23	22	1	<b>10.1122.0.010</b>				<b>10.2020.0.000</b>			
10.1060.2.000	23	23	1	10.1122.0.010	45	04		10.2020.0.000	27	89	1
10.1061.1.000	23	27	(1)	10.1122.0.011	45	04		10.2022.0.000	27	84	1
10.1062.0.000	23	10	1	10.1122.0.012	45	04		10.2024.0.000	27	47	(1)
10.1066.2.000	23	05	1	10.1122.0.013	45	04		10.2025.0.000	27	53	1
10.1068.0.901	31	03	(1)	10.1122.0.014	45	04		10.2025.0.017	27	50	1
10.1068.1.050	31	02	((1))	10.1122.0.015	45	04		10.2027.1.000	27	25	(1)
10.1069.0.001	31	19	1	10.1122.0.016	45	04		10.2028.1.000	27	26	(1)
10.1069.0.001	57	22	1	10.1122.0.017	39	23	1	10.2029.0.000	53	20	2
10.1069.0.002	57	37*	—					10.2031.0.000	53	22	2
10.1069.0.003	57	21	1	<b>10.1122.0.980</b>				10.2032.0.000	53	23	2
10.1069.0.004	57	36*	—	10.1122.0.980	45	04		10.2033.0.000	27	16	1
10.1069.0.005	57	20	1	10.1122.0.997	23	07	—	10.2033.0.801	27	11	(1)
10.1069.0.006	57	35*	—	10.1122.0.998	23	07	1	10.2034.0.000	27	13	1
10.1069.0.010	57	41*	—	10.1122.0.998	45	04		10.2034.0.801	27	15	(1)
10.1069.0.011	57	40*	—	10.1122.0.999	23	07	1	10.2036.0.000	27	09	2
10.1069.0.012	57	39*	—	10.1122.0.999	45	04		10.2039.0.000	27	03	1
10.1069.0.013	57	38*	—	10.1125.2.000	35	10	1	10.2041.0.000	27	07	2
10.1069.0.014	57	42*	—	10.1126.0.000	35	21	1	10.2042.0.000	27	01	2
10.1069.0.016	57	19	1	10.1127.3.000	35	26	1	10.2044.0.002	53	27	1
10.1071.1.023	31	14	(1)					10.2046.1.751	53	06	1
10.1072.0.000	31	10	(1)	<b>10.1147.0.000</b>				10.2048.0.002	53	32	1
10.1073.1.000	31	13	(1)	10.1147.0.000	45	11	2	10.2050.1.750	53	29	1
10.1074.0.000	31	18	(1)	10.1153.0.000	45	20	1	10.2051.2.000	53	18	2
10.1074.0.250	31	37	1	10.1158.1.000	49	09	(1)	10.2051.2.000	53	36	2
10.1075.1.000	17	05	(1)	10.1158.1.050	49	07	1	10.2052.0.000	53	35	2
10.1075.1.051	17	04	1	10.1159.1.000	49	19	1	10.2054.0.000	53	38	1
10.1076.0.000	45	24	1	10.1160.0.000	49	36	(1)	10.2070.1.000	13	10	1
10.1077.0.000	49	12	1	10.1160.0.051	49	35	1	10.2071.0.000	13	11	1
10.1078.1.000	49	13	1	10.1163.0.000	31	06	((1))	10.2072.0.000	13	08	1
10.1083.0.000	39	14	1	10.1167.1.000	37	07	1	10.2073.0.000	13	04	1
10.1083.0.000	49	06	1	10.1168.0.000	37	12	1	10.2074.0.000	27	56	1
10.1090.0.000	43	07	(1)	10.1169.0.000	37	08	1	10.2075.0.000	27	57	1
10.1091.1.801	43	33	(1)	10.1177.0.000	49	05	1				
10.1091.1.803	43	26	(1)	10.1178.0.000	49	02	1	<b>10.2250.1.000</b>			
10.1093.2.000	43	29	1	10.1180.0.000	13	34	1	10.2250.1.000	35	17	1
10.1097.1.000	43	10	(1)	10.1198.1.000	19	41	(1)	10.2251.0.001	35	12	1

Revised 11/2011

e-mail: [service@amfreece.cz](mailto:service@amfreece.cz); [parts@amfreece.cz](mailto:parts@amfreece.cz); website: [www.amfreece.com](http://www.amfreece.com)

Phone: +420 582 309 286; Fax: +420 582 360 606

# INDEX

PART NUMBER	PAGE	DET	QTY	PART NUMBER	PAGE	DET	QTY	PART NUMBER	PAGE	DET	QTY
10.2252.0.000	35	14	1	<b>10.3050.0.000</b>				10.4026.0.000	19	48	(1)
10.2253.0.000	35	15	1	10.3050.0.000	9	24	1	10.4029.0.000	19	60	1
10.2255.2.150	17	01	1	10.3051.0.000	9	23	1				
10.2255.3.200	17	01	1	10.3066.0.008	11	03	1	<b>10.4030.0.000</b>			
10.2256.0.000	17	26	1	10.3066.0.011	11	04	3	10.4030.0.000	19	64	1
10.2257.0.000	15	06	1	10.3067.4.254	31	27	1	10.4030.0.000	49	17	1
10.2258.0.000	15	03	1	10.3070.0.251	31	30	1	10.4031.0.000	19	62	1
10.2259.0.000	15	05	1	10.3071.1.250	31	24	1	10.4032.0.000	19	61	1
10.2260.0.001	15	07	1	10.3071.1.250	57	28	1	10.4035.0.000	19	44	(1)
10.2261.0.030	35	32	1	10.3072.0.023	57	27	1	10.4036.0.000	19	58	1
10.2261.0.040	35	32	1	10.3072.0.024	31	22	1	10.4037.0.000	19	56	1
10.2262.0.000	35	33	1	10.3074.0.011	31	21	1	10.4039.0.000	19	27	(2)
10.2263.0.000	25	02	1	10.3074.0.011	57	26	1	10.4202.0.000	19	40	(1)
10.2264.0.000	25	01	2					10.4203.0.000	19	14	(1)
				<b>10.3080.0.000</b>				10.4550.0.000	7	38	1
<b>10.3002.0.000</b>				10.3080.0.000	9	36	(2)				
10.3002.0.000	23	43	1	10.3081.0.000	37	17	1	<b>11.3070.0.001</b>			
10.3006.0.090	23	40	(1)	10.3082.0.000	9	39	(1)	11.3070.0.001	31	35	(1)
10.3007.0.000	23	38	(2)	10.3086.0.000	25	15	1	11.3259.0.001	17	30	1
10.3008.0.000	23	29	1	10.3089.2.000	25	26	1	11.3259.0.002	17	32	1
10.3009.0.000	17	47	1	10.3203.0.000	25	22	(2)				
				10.3205.0.000	25	19	(1)	<b>12.0008.4.502</b>			
<b>10.3010.0.000</b>				10.3206.0.000	25	16	(1)	12.0008.4.502	55	23	—
10.3010.0.000	17	08	(1)	10.3250.1.000	17	16	2	12.0008.4.503	55	23	—
10.3010.0.051	17	09	1	10.3252.1.000	17	17	2	12.0008.4.504	55	23	—
10.3011.0.000	17	36	(1)	10.3253.0.000	17	28	1	12.0008.4.505	55	23	—
10.3011.0.051	17	34	1	10.3254.0.000	17	25	1	12.0008.6.100	57	16	1
10.3012.0.000	17	24	1	10.3258.0.000	17	45	1	12.0008.6.104	57	14	1
10.3013.0.000	17	35	(1)	10.3262.0.250	17	13	1	12.0008.6.215	57	05	1
10.3016.0.000	17	42	4	10.3300.0.006	15	16	1	12.0008.6.901	55	20	1
10.3018.0.000	17	20	1	10.3301.1.006	15	20	2	12.0008.6.953	51	30	(1)
10.3019.1.006	15	15	1	10.3302.0.000	15	19	1				
				10.3303.0.000	15	23	1	<b>12.1010.0.012</b>			
<b>10.3020.0.006</b>				10.3607.1.000	7	31	1	12.1010.0.012	19	34	(1+(1))
10.3020.0.006	15	24	1					12.1010.0.220	27	63	1
10.3026.0.000	17	22	1	<b>10.4003.0.000</b>				12.1010.0.516	11	18	1+(1)
10.3026.0.000	27	81	1	10.4003.0.000	19	21	((1))	12.1014.0.004	43	08	(1)
10.3027.0.000	11	15	1	10.4006.0.000	19	02	(1)	12.1015.0.001	13	40	(1)
10.3028.0.000	11	12	2	10.4007.0.000	19	06	(1)	12.1015.0.001	39	09	(1)
10.3029.1.000	13	26	1	10.4010.2.000	19	08	(1)	12.1015.0.002	5	91	(2)
10.3031.0.000	13	14	1	10.4012.0.004	19	66	1	12.2010.0.000	13	30	1
10.3032.1.000	13	25	1	10.4016.0.000	19	25	(1)	12.2090.0.003	9	33	(1)
10.3033.0.017	15	01	1	10.4017.0.000	19	26	(1)	12.4021.0.312	37	28	(1)
10.3034.0.258	15	12	1	10.4018.0.000	19	29	(1)	12.8000.1.001	5	84	(1)
10.3035.1.000	11	07	2	10.4019.0.000	19	30	(2)	12.8000.1.005	5	90	(1)
10.3036.0.000	11	10	1								
10.3040.1.000	9	12	(1)	<b>10.4020.0.000</b>				<b>13.0508.1.000</b>			
10.3042.0.000	9	11	(1)	10.4020.0.000	23	36	1	13.0508.1.000	3	50	1
10.3045.0.000	9	27	1	10.4021.0.000	19	49	(1)	13.0511.3.000	3	07	(1)
10.3049.0.000	9	26	1	10.4024.0.000	23	33	(1)	13.0513.1.000	3	46	1

Revised 11/2011

e-mail: [service@amfreece.cz](mailto:service@amfreece.cz); [parts@amfreece.cz](mailto:parts@amfreece.cz); website: [www.amfreece.com](http://www.amfreece.com)

Phone: +420 582 309 286; Fax: +420 582 360 606



**INDEX**

PART NUMBER	PAGE	DET	QTY	PART NUMBER	PAGE	DET	QTY	PART NUMBER	PAGE	DET	QTY
13.0514.1.000	3	15	(1)	13.1235.0.006	35	06	1	13.5021.1.000	7	48	1
13.0515.1.001	3	02	(1)	13.1237.0.000	33	04	1	13.5024.0.000	7	37	1
13.0515.1.002	3	12	(1)	13.1238.0.000	33	01	1	13.5025.1.000	7	41	1
13.0516.0.000	5	92	1	13.1239.0.000	33	08	1	13.5031.0.000	5	86	1
13.0522.1.001	3	31	(1)	13.1247.0.000	13	38	(1)	13.5031.0.901	5	79	(1)
13.0523.0.000	5	74	(1)					13.5031.1.900	5	83	(1)
13.0523.0.001	3	24	(1)	<b>13.2021.0.023</b>				13.5032.1.000	5	82	(1)
13.0523.0.903	3	23	(1)	13.2021.0.023	27	85	1	13.5033.0.001	5	77	(2)
13.0525.0.905	3	10	(2)	13.2086.0.000	27	49	(1)	13.5033.0.002	5	78	(1)
13.0525.0.906	3	09	(1)	13.2087.1.000	27	61	1				
13.0525.0.907	3	03	(1)	13.2088.0.000	27	62	1	<b>14.0512.0.000</b>			
13.0525.0.908	3	11	(1)					14.0512.0.000	5	70	1
13.0525.0.909	3	08	(1)	<b>13.3001.0.000</b>				14.0517.0.000	3	36	(1)
13.0526.0.902	5	64	(1)	13.3001.0.000	11	25	1	14.0522.1.050	3	30	1
13.0526.0.903	5	65	(1)	13.3022.1.023	27	70	1	14.0523.0.000	3	22	(1)
13.0527.0.901	5	55	(1)	13.3023.0.000	27	71	1	14.0523.1.050	3	19	1
13.0528.0.001	33	06	1	13.3039.1.000	9	13	(1)	14.0524.0.002	5	75	(1)
13.0530.0.000	3	17	(1)	13.3039.1.050	9	07	1	14.0524.1.050	5	72	1
13.0532.0.000	5	67	(1)	13.3061.0.300	11	23	(2)	14.0525.0.000	3	18	(1)
13.0534.0.000	3	33	(1)	13.3062.1.000	11	19	(1)	14.0525.0.003	3	01	1
				13.3079.0.000	9	37	(1)	14.0526.0.000	5	66	(1)
<b>13.1001.0.050</b>				13.3083.0.000	7	16	1	14.0526.1.050	5	63	1
13.1001.0.050	5	89	1	13.3094.2.000	27	83	1	14.0527.0.000	5	54	(1)
13.1036.0.000	45	21	1					14.0527.1.050	5	53	1
13.1049.0.000	45	03	1	<b>13.3101.2.000</b>				14.0530.0.000	5	60	(1)
13.1050.0.000	45	06	1	13.3101.2.000	9	01	1	14.0530.1.000	5	62	1
13.1052.0.001	23	17	(1)	13.3101.2.001	9	06	(1)	14.0531.1.000	5	76	1
13.1091.1.000	43	31	1	13.3101.2.002	9	04	(1)				
13.1091.2.802	45	01	(1)	13.3102.0.000	7	19	1	<b>14.1003.0.000</b>			
13.1099.1.000	41	02	(1)	13.3102.0.901	7	23	(1)	14.1003.0.000	51	03	4
				13.3103.0.000	7	20	(1)	14.1005.0.000	51	20	1
<b>13.1100.0.000</b>				13.3104.0.000	7	25	(1)	14.1006.0.000	51	31	(1)
13.1100.0.000	41	11	(1)	13.3105.0.000	7	04	1	14.1006.0.050	51	27	1
13.1103.0.000	43	24	(1)	13.3106.0.001	7	30	1	14.1007.0.000	51	29	(1)
13.1104.1.000	43	22	(1)	13.3106.0.002	7	03	1	14.1007.0.001	51	28	(1)
13.1106.0.000	43	18	(1)	13.3107.1.000	7	27	1	14.1008.0.000	51	21	1
13.1107.0.000	43	15	1	13.3109.0.000	7	09	1	14.1009.0.000	51	24	1
13.1124.0.000	35	25	1	13.3109.0.002	7	05	1	14.1015.0.000	51	34	1
13.1181.0.000	13	37	1	13.3109.0.902	7	07	(1)	14.1016.1.050	47	04	1
13.1181.0.901	13	39	(1)	13.3109.0.903	7	11	(1)+(1)	14.1017.0.000	47	05	(1)
13.1188.0.000	45	27	1	13.3109.2.000	7	50	1	14.1018.1.000	49	32	(1)
				13.3109.2.000	7	51	(1)	14.1019.0.000	51	42	2+(1)
<b>13.1231.2.000</b>				13.3117.0.000	9	17	1				
13.1231.2.000	33	05	2	13.3123.0.000	9	14	1	<b>14.1020.0.100</b>			
13.1232.0.000	43	20	(1)	13.3127.0.000	7	36	1	14.1020.0.100	51	07	1
13.1235.0.001	35	01	1	13.3131.0.000	27	78	1	14.1023.0.000	51	16	1
13.1235.0.002	35	05	1					14.1025.1.000	47	15	2
13.1235.0.003	35	02	1	<b>13.5014.0.000</b>				14.1026.0.000	23	11	1
13.1235.0.004	35	04	1	13.5014.0.000	3	28	1	14.1028.0.000	47	31	1
13.1235.0.005	35	03	2	13.5015.0.000	3	29	1	14.1029.0.000	37	29	(1)

Revised 11/2011

e-mail: [service@amfreece.cz](mailto:service@amfreece.cz); [parts@amfreece.cz](mailto:parts@amfreece.cz); website: [www.amfreece.com](http://www.amfreece.com)

Phone: +420 582 309 286; Fax: +420 582 360 606

# INDEX

PART NUMBER	PAGE	DET	QTY	PART NUMBER	PAGE	DET	QTY	PART NUMBER	PAGE	DET	QTY
14.1030.0.000	51	01	2	14.2026.0.050	27	20	1	14.4001.0.904	19	35	((1))
14.1035.0.050	45	19	1	14.2039.0.801	27	04	(1)	14.4002.0.000	19	20	((1))
14.1041.0.000	45	16	1					14.4004.0.000	19	04	(1)
14.1042.0.000	47	06	(1)	<b>14.2040.0.000</b>				14.4005.0.030	19	05	(1)
14.1043.0.000	45	22	1	14.2040.0.000	27	18	1	14.4008.1.000	19	03	(1)
14.1046.0.050	45	07	(1)	14.2040.0.901	27	17	(1)	14.4009.1.000	19	07	(1)
14.1047.0.050	45	05	1	14.2043.0.019	53	40	1	14.4011.0.200	19	22	((1))
14.1058.0.000	23	02	1	14.2047.0.019	53	39	1	14.4013.1.000	19	52	(1)
14.1059.0.000	23	01	1	14.2053.0.000	53	13	2	14.4015.1.000	19	24	(1)
14.1064.2.000	23	08	1	14.2059.0.000	53	08	1	14.4022.0.000	23	31	(1)
14.1067.0.000	23	06	1	14.2060.0.000	53	28	1	14.4022.0.051	23	30	1
				14.2061.0.100	37	15	1	14.4023.0.000	23	34	(1)
<b>14.1070.0.000</b>				14.2069.0.000	25	05	(1)	14.4023.0.000	47	27	1
14.1070.0.000	47	39	1	14.2069.0.050	25	03	1	14.4025.0.901	19	69	1
14.1089.0.000	43	12	1	14.2069.0.802	25	06	(1)	14.4201.0.000	19	11	(1)
14.1099.0.000	39	04	1								
				<b>14.2212.0.000</b>				<b>14.5019.0.000</b>			
<b>14.1108.0.050</b>				14.2212.0.000	53	14	2	14.5019.0.000	25	13	1
14.1108.0.050	37	23	1	14.2213.0.000	53	25	2	14.5034.0.000	39	06	1
14.1108.0.901	37	26	((1))	14.2214.0.000	53	17	2	14.8888.2.287	31	01	1
14.1155.1.000	43	06	(1)	14.2254.1.901	35	13	1	14.9005.0.050	47	24	1
14.1197.1.000	19	18	(1)	14.2261.0.000	35	32	1	14.9008.0.050	19	19	(1)
<b>14.1230.1.050</b>				<b>14.3003.0.000</b>				<b>16.1098.0.050</b>			
14.1230.1.050	49	30	1	14.3003.0.000	23	45	1	16.1098.0.050	41	03	(1)
14.1230.2.000	49	33	(1)	14.3004.0.000	23	25	(1)	16.1098.0.850	41	01	1
14.1236.0.000	23	15	1	14.3004.0.051	23	24	1	16.1109.0.000	3	21	(1)
14.1246.1.000	13	35	1	14.3005.0.000	23	42	1				
14.1250.0.000	47	37	2	14.3006.0.201	23	37	1	<b>17.0002.4.121</b>			
14.1252.1.000	47	13	1	14.3015.0.000	17	33	1	17.0002.4.121	41	08	(1)
14.1258.1.000	47	11	1	14.3015.0.802	17	22	1	17.0002.4.121	57	47	1
				14.3017.0.000	17	21	1	17.0004.7.253	43	04	(1)
<b>14.2001.0.250</b>				14.3025.0.000	27	76	1	17.0007.8.171	55	24	—
14.2001.0.250	15	27	1	14.3047.0.801	9	29	1	17.0007.8.172	55	24	—
14.2002.0.001	53	09	1	14.3064.0.001	11	22	(1)	17.0007.8.173	55	24	—
14.2002.0.002	53	02	1	14.3064.0.830	11	17	1				
14.2003.0.000	53	03	1	14.3085.1.050	25	18	1	<b>17.0012.6.096</b>			
14.2004.0.000	53	10	1	14.3087.0.000	25	30	1	17.0012.6.096	41	04	(1)
14.2007.1.000	53	33	1	14.3088.0.000	25	23	1	17.0016.3.400	41	07	(1)
14.2008.1.000	53	31	1					17.0017.4.075	43	25	(1)
14.2009.0.000	27	91	2	<b>14.3100.0.901</b>				17.0019.0.367	41	15	(1)
				14.3100.0.901	9	41	(1)	17.0019.0.441	57	23	4
<b>14.2013.0.000</b>				14.3100.1.050	9	34	1	17.0019.5.048	43	23	(1)
14.2013.0.000	13	19	1	14.3101.0.000	9	38	(1)	17.0031.1.401	13	23	1
14.2023.1.000	27	39	(1)	14.3129.0.000	7	45	1	17.0031.1.401	23	14	1
14.2024.0.000	27	37	(1)	14.3251.1.000	17	15	1	17.0041.8.400	41	06	(1)
14.2026.0.002	27	21	(1)								
14.2026.0.003	27	48	(1)	<b>14.4001.0.150</b>				<b>17.0051.0.066</b>			
14.2026.0.005	27	35	(1)	14.4001.0.150	19	32	(1)	17.0051.0.066	43	13	1
14.2026.0.006	27	36	(1)	14.4001.0.151	19	01	1	17.0055.4.415	55	25	—

Revised 11/2011

e-mail: [service@amfreece.cz](mailto:service@amfreece.cz); [parts@amfreece.cz](mailto:parts@amfreece.cz); website: [www.amfreece.com](http://www.amfreece.com)

Phone: +420 582 309 286; Fax: +420 582 360 606

**INDEX**

PART NUMBER	PAGE	DET	QTY	PART NUMBER	PAGE	DET	QTY	PART NUMBER	PAGE	DET	QTY
17.0055.4.416	55	25	—								
17.0055.4.416	57	45	1								
17.0061.2.415	41	05	(1)								
17.0067.2.186	43	16	(1)								
17.0082.6.000	51	13	4								
17.0083.1.655	55	19	1								
17.0094.5.309	13	24	1								
17.0094.6.009	55	01	1								
17.0095.1.272	57	46	4								
17.1088.1.050	43	01	1								
17.1099.0.000	41	14	(1)								
19.0095.1.405	57	24	4								
<b>22.0216.0.000</b>											
22.0216.0.000	55	13	(1)								
22.0217.0.000	55	09	(1)								
22.0218.0.000	55	03	1								
<b>40.0593.0.000</b>											
40.0593.0.000	51	23	2								
66.0001.3.000	41	17	(1)								

Revised 11/2011

e-mail: [service@amfreece.cz](mailto:service@amfreece.cz); [parts@amfreece.cz](mailto:parts@amfreece.cz); website: [www.amfreece.com](http://www.amfreece.com)

Phone: +420 582 309 286; Fax: +420 582 360 606

