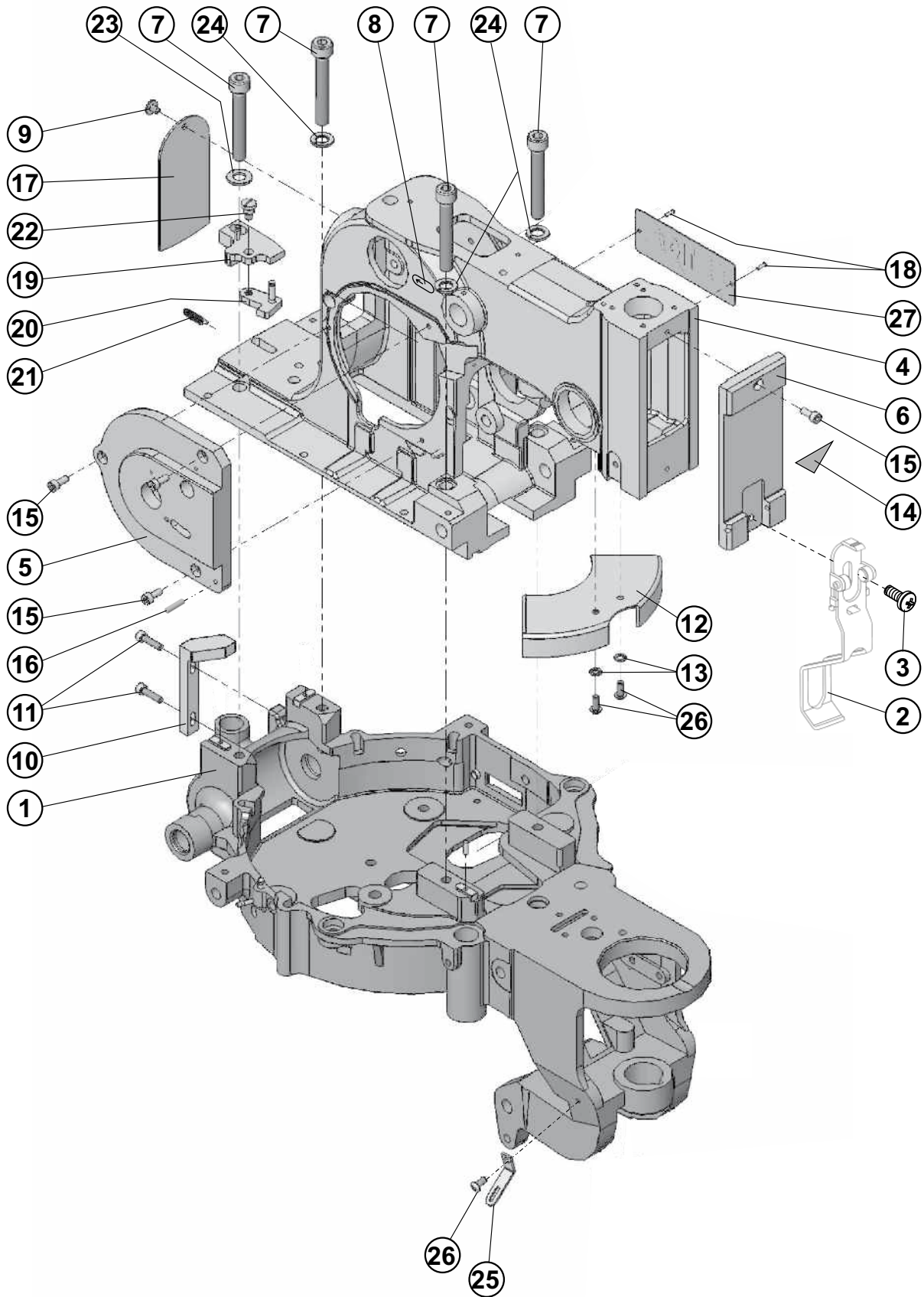


TABLE OF CONTENTS

Head, Cam Case.....	3-2
Stitch Cam Shaft.....	3-4
Needle Bar Drive.....	3-6
Needle Bar Drive and Vibrator.....	3-8
Stitch Bite Drive.....	3-10
Thread Guide and Thread Tension.....	3-12
Thread Take Up Lever.....	3-14
Looper Drive.....	3-16
Lubrication.....	3-18
Race.....	3-20
Main Cam Drive Shaft.....	3-24
Main Cam.....	3-26
Feeding and Density Mechanism.....	3-28
Three Fork Lever and Sewing Switch-Off.....	3-30
Rocking Lever.....	3-32
Upper Thread Trimmer.....	3-34
Buttonhole Shape Change.....	3-36
Turning Assembly.....	3-38
Cutting Lever Assembly.....	3-40
Table Side Movement.....	3-42
Sewing Operation and Fly Bar.....	3-44
Starting Lever.....	3-46
Clamp Yoke and Shifting Lever.....	3-48
Spreading.....	3-50
Clamping Mechanism.....	3-52
Clamp Plate Assembly.....	3-54
Covers.....	3-56
Standard Accessories.....	3-58
Regular Table.....	3-60
Extra Parts.....	3-62

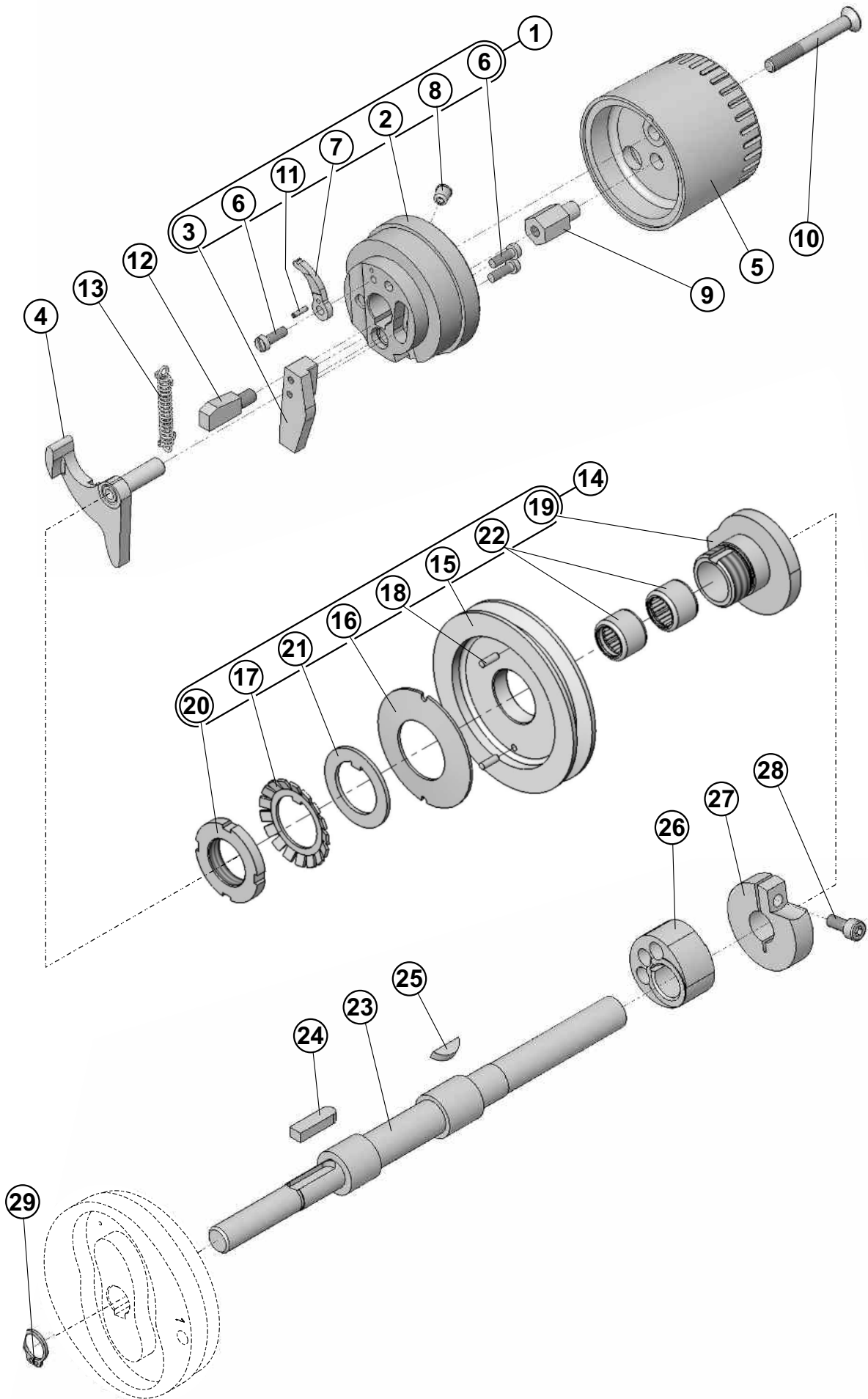
HEAD, CAM CASE



HEAD, CAM CASE

DET	PART NUMBER	DESCRIPTION	QTY.
01	11.3001.0.004	CAM CASE	1
02	18.0002.9.004	GUARD	1
03	08.6032.4.010	SCREW M4-10	1
04	11.1001.0.000	HEAD	1
05	11.1188.0.000	COVER ●	1
06	11.1082.0.000	COVER ●	1
07	08.6000.8.055	SCREW M8-55	4
08	05.0413.0.000	DECAL, OIL	1
09	08.6522.4.006	SCREW M4-6	1
10	13.3083.0.000	SUPPORT	1
11	08.6000.4.016	SCREW M4-16	2
12	10.1145.2.000	SHIELD GRAY	1
13	08.6832.4.000	WASHER M4	2
14	05.1389.0.000	LABEL TRIANGLE ●●●	1
15	08.6000.4.010	SCREW M4-10	4
16	12.1010.0.314	PIN 3-14	1
17	10.1080.0.000	REAR COVER GRAY	1
18	12.1016.0.002	NAIL 1,86x6,35	2
19	10.1180.0.000	BLOCK	1
20	10.1181.0.000	LATCH	1
21	01.5473.0.000	SPRING - EXTENSION	1
22	01.1100.0.000	SCREW	1
23	08.6850.8.000	WASHER 8	1
24	08.6800.8.000	SPRING WASHER M8	3
25	10.3607.1.000	CORD GUIDE	1
26	08.6200.4.008	SCREW M4-8	3
27	12.1016.0.002	LABEL S101 ●	1

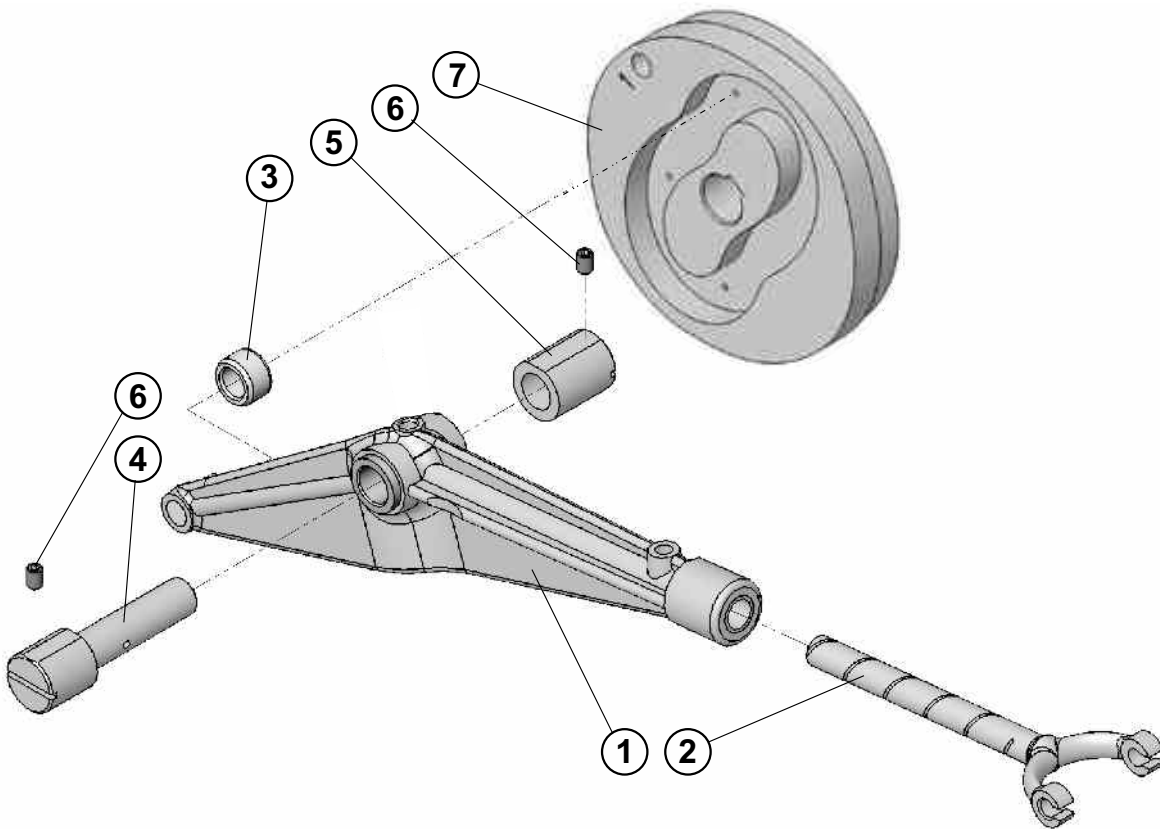
STITCH CAM SHAFT



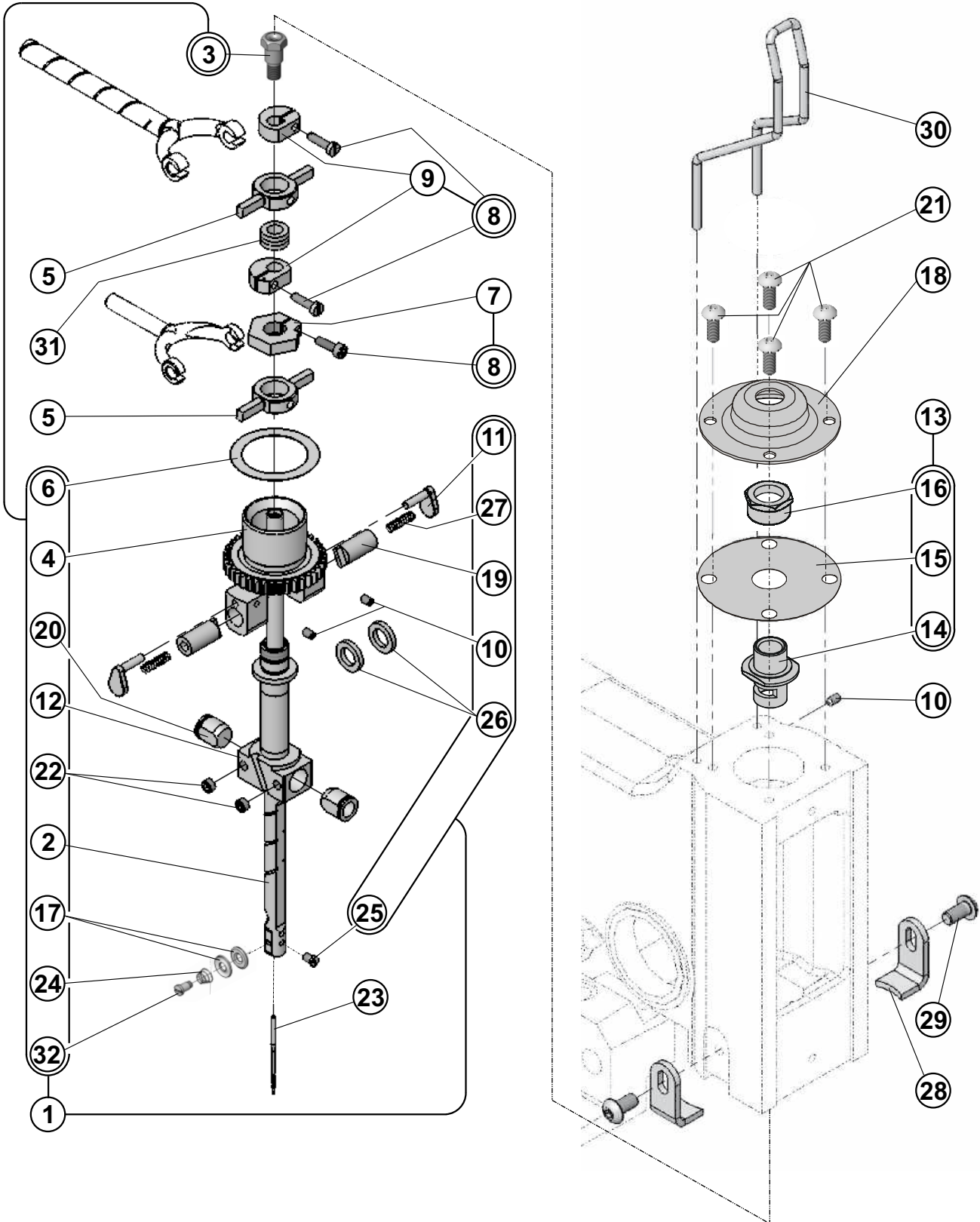
STITCH CAM SHAFT

DET	PART NUMBER	DESCRIPTION	QTY.
01	17.1088.1.050	STOP WHEEL - ASSEMBLY	1
02	14.1154.0.000	WHEEL STOP	(1)
03	14.1155.2.000	STOP	(1)
04	14.1089.0.000	CLUTCH DOG	1
05	17.0051.0.066	HAND GRIP	1
06	08.6010.4.012	SCREW M4-12	(3)
07	10.1090.0.000	SPRING ANCHOR	(1)
08	17.0004.7.253	DILER D6	(1)
09	17.0016.1.308	NUT M6-15.5/OK12	1
10	08.6100.6.050	SCREW M6-50	1
11	12.1014.0.004	PIN 2-8	(1)
12	17.0021.0.021	KEY	1
13	01.5606.0.000	SPRING	1
14	17.0002.4.277	PULLEY - ASS.	1
15	17.0052.0.426	PULLEY	(1)
16	13.1104.1.000	WASHER - BELLEVILLE	(1)
17	17.0019.5.047	WASHER MB 25	(1)
18	17.0031.0.425	PIN 3-10	(2)
19	17.0067.2.186	CAM	(1)
20	17.0017.4.075	NUT KM5	(1)
21	17.0019.5.048	WASHER 25	(1)
22	01.7667.0.000	BEARING	(2)
23	11.1092.0.000	SHAFT	1
24	10.1091.1.803	KEY	1
25	17.0021.1.045	KEY	1
26	17.0067.2.411	VIBRATOR CAM	1
27	17.0043.6.280	COLLAR 14,3H7	1
28	08.6000.5.012	SCREW M5-12	1
29	12.1045.1.001	RETAINING RING	1

NEEDLE BAR DRIVE



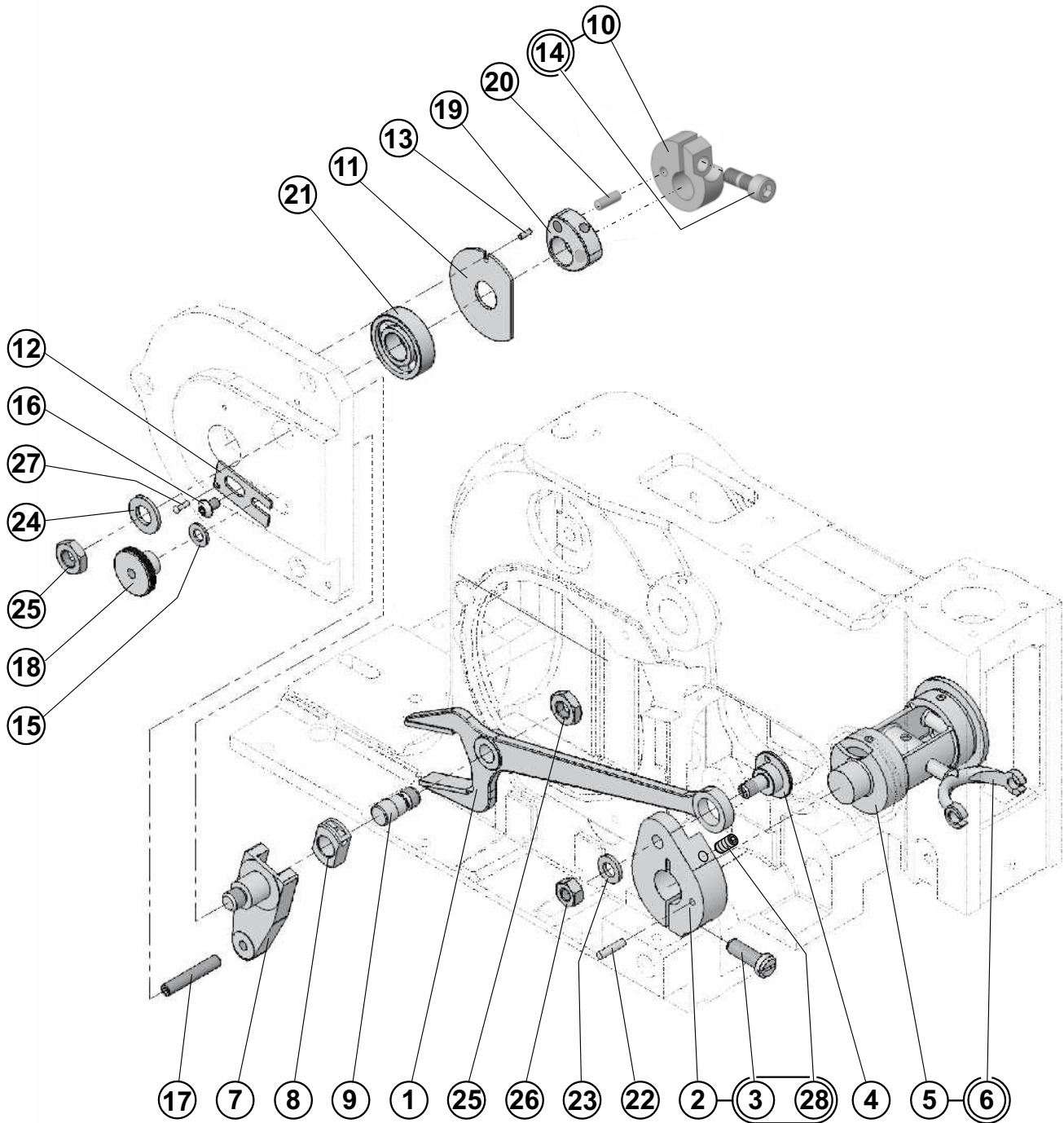
NEEDLE BAR DRIVE AND VIBRATOR



NEEDLE BAR DRIVE AND VIBRATOR

DET	PART NUMBER	DESCRIPTION	QTY.
01	11.1028.0.054	NEEDLE BAR - ASSEMBLY	1
02	14.1028.0.000	NEEDLE BAR	(1)
03	10.1032.0.000	BUSHING N.B. UNI	(1)
04	11.1023.0.000	GEAR, NEEDLE BAR	(1)
05	19.0045.3.402	GIMBAL D=11 UNI	2
06	01.4081.0.009	WASHER - PLAIN (0.009")	(1)
07	14.4023.3.050	COLLAR - ADJUSTABLE	1
08	08.6000.3.010	SCREW M3-10	(1)+(2)
09	14.1027.3.050	RING	2
10	08.6400.3.005	SCREW M3-5	(2)+1
11	10.1021.2.000	RETAINER SPRING	(2)
12	11.1070.0.001	BLOCK VIBRATOR	(1)
13	14.1016.3.050	TOP BEARING - ASSEMBLY	1
14	14.1017.3.000	BUSHING, GUIDING	(1)
15	14.1042.0.000	DIAPHRAGM	(1)
16	14.1016.3.000	NUT	(1)
17	10.1029.1.000	TENSION DISC	(2)
18	10.1014.1.000	CAP	1
19	14.1022.3.000	VIBRATOR GUIDE UNI	(2)
20	14.1025.3.000	BUTTON UNI	(2)
21	08.6200.4.008	SCREW	4
22	18.0011.2.400	SCREW M5x0,5-3	(2)
23	02.0501.0.111	NEEDLE	1
24	01.5167.0.000	SPRING	(1)
25	01.2193.0.000	SCREW	(1)
26	17.0019.1.062	WASHER	(2)
27	01.5003.0.000	SPRING	(2)
28	14.1250.0.000	BRACKET, NEDLE BAR GEAR	2
29	08.6200.5.010	SCREW M5-10	2
30	17.0027.1.419	GUARD	1
31	19.0041.0.686	BUSHING	● 1
32	10.1030.0.017	SCREW	(1)

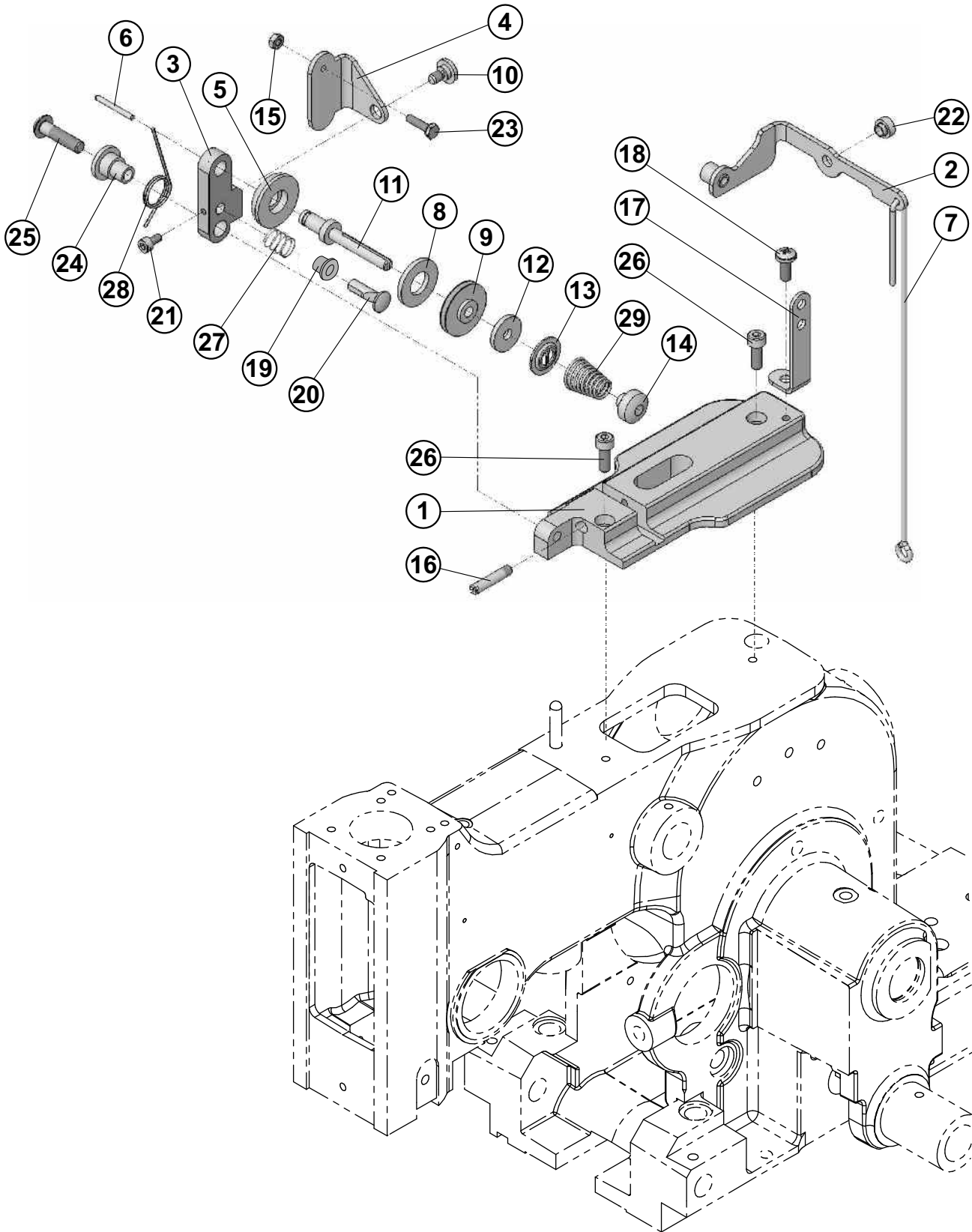
STITCH BITE DRIVE



STITCH BITE DRIVE

DET	PART NUMBER	DESCRIPTION	QTY.
01	11.1041.0.000	FORK LEVER	1
02	11.1038.0.000	ROCKING LEVER	1
03	17.0012.1.169	SCREW M6-0,75-18	(1)
04	11.1039.0.000	ECCENTRIC	1
05	11.1035.0.000	VIBRATION BARREL	1
06	19.0063.4.400	FORK	(1)
07	11.1043.0.000	BRACKET	1
08	17.0045.1.099	BLOCK, SLIDE	1
09	17.0033.1.109	SCREW	1
10	15.4405.0.400	COLLAR	1
11	11.1037.0.000	WASHER	1
12	11.1040.0.000	LIMITER	1
13	12.1010.0.206	PIN 2-6	1
14	08.6000.6.016	SCREW M6-16	(1)
15	08.6850.5.000	WASHER 5,3	1
16	08.6200.4.006	SCREW M4-6	1
17	08.6400.5.030	SCREW M5-30	1
18	17.0017.2.049	NUT M5	1
19	19.0067.2.415	CAM	1
20	12.1010.0.412	PIN 4n6-12	1
21	12.2010.0.011	BEARING 6001 2Z	1
22	12.1010.0.314	PIN 3-14	1
23	08.6850.6.000	WASHER 6,4	1
24	17.0019.0.662	WASHER 8,4	1
25	17.0016.1.191	NUT M8-1 LOW	2
26	17.0016.1.118	NUT M6-0,75	1
27	12.1016.0.002	NAIL 1,86-6,35	1
28	08.6400.5.010	SCREW M5-10	(1)

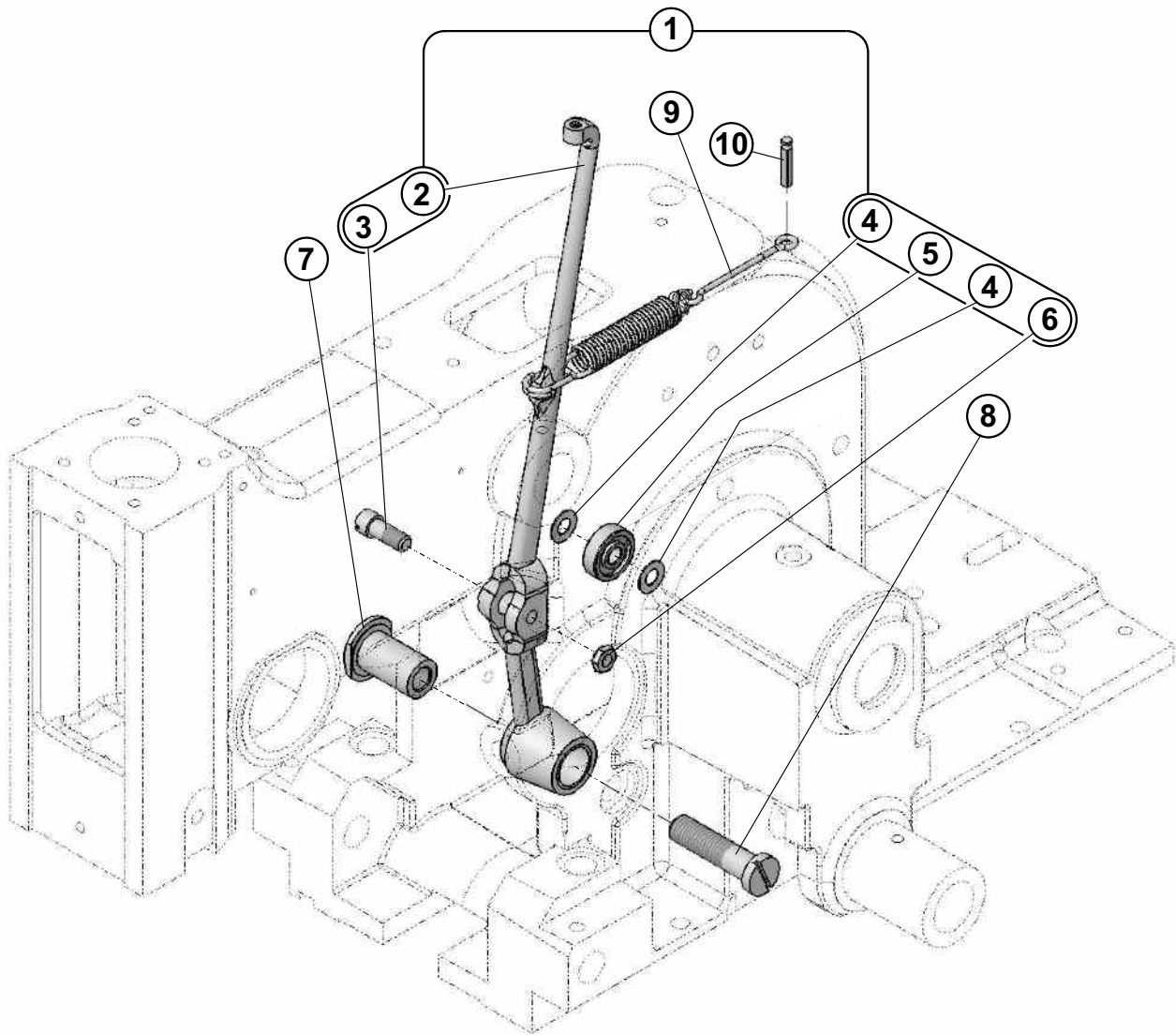
THREAD GUIDE AND THREAD TENSION



THREAD GUIDE AND THREAD TENSION

DET	PART NUMBER	DESCRIPTION	QTY.
01	11.1159.0.000	BRACKET TENSION	1
02	11.1177.0.000	LEVER	1
03	11.1158.0.000	LEVER	1
04	11.1178.0.000	RELEASE LEVER	1
05	01.4074.0.000	WASHER - ROUNDED	1
06	10.1010.0.000	ROD	1
07	10.1083.0.000	LINK - TENSION RELEASE	1
08	10.1077.0.000	WASHER - FELT	1
09	10.1078.1.000	TENSION ROLLER - ASSEMBLY	1
10	17.0013.1.177	STUD	1
11	01.1113.0.000	STUD	1
12	10.1004.0.000	WASHER - THIN FELD	1
13	10.1003.0.000	WASHER	1
14	10.4030.0.000	NUT - KNURLED	1
15	08.6700.3.000	NUT M3	1
16	19.0011.1.402	BITE SCREW	1
17	05.0043.1.000	THREAD GUIDE	1
18	08.6032.4.010	SCREW M4-10	1
19	10.1009.0.000	BUSHING	1
20	10.1008.0.000	GUIDE	1
21	08.6000.3.006	SCREW M3-6	1
22	11.1175.0.000	BUSHING	1
23	08.6310.3.012	SCREW M3-12	1
24	11.1044.0.000	BUSHING	1
25	08.6200.5.020	SCREW M5-20	1
26	08.6000.4.016	SCREW M4-16	2
27	01.5002.0.000	SPRING - COMPRESSION	1
28	01.5163.0.000	SPRING - TORSION	1
29	01.5603.0.000	SPRING - CONCAL	1

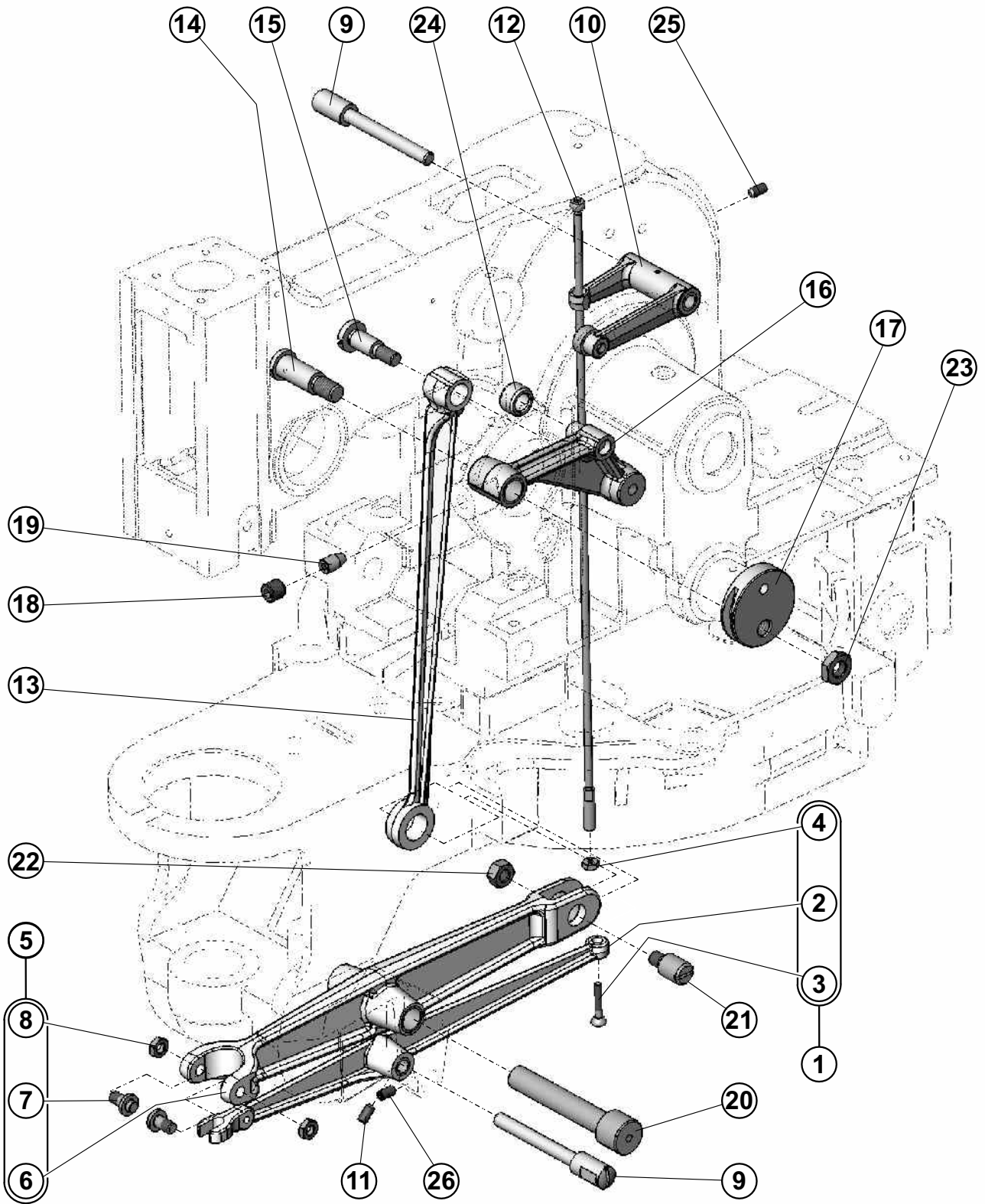
THREAD TAKE UP LEVER



THREAD TAKE UP LEVER

DET	PART NUMBER	DESCRIPTION	QTY.
01	11.1051.0.050	LEVER - TAKE UP - ASSEMBLY	1
02	11.1051.0.000	LEVER - TAKE UP ●	(1)
03	11.1052.0.000	STUD	(1)
04	01.4751.0.000	WASHER	(2)
05	01.7630.0.001	BALL BEARING	(1)
06	17.0016.1.054	NUT M5x0,5-2,5	(1)
07	11.1054.0.000	BUSHING PIVOT	1
08	17.0013.2.086	SCREW M8x1-32	1
09	01.5005.0.001	SPRING - ASSEMBLY	1
10	17.0031.1.089	PIN 3-16	1

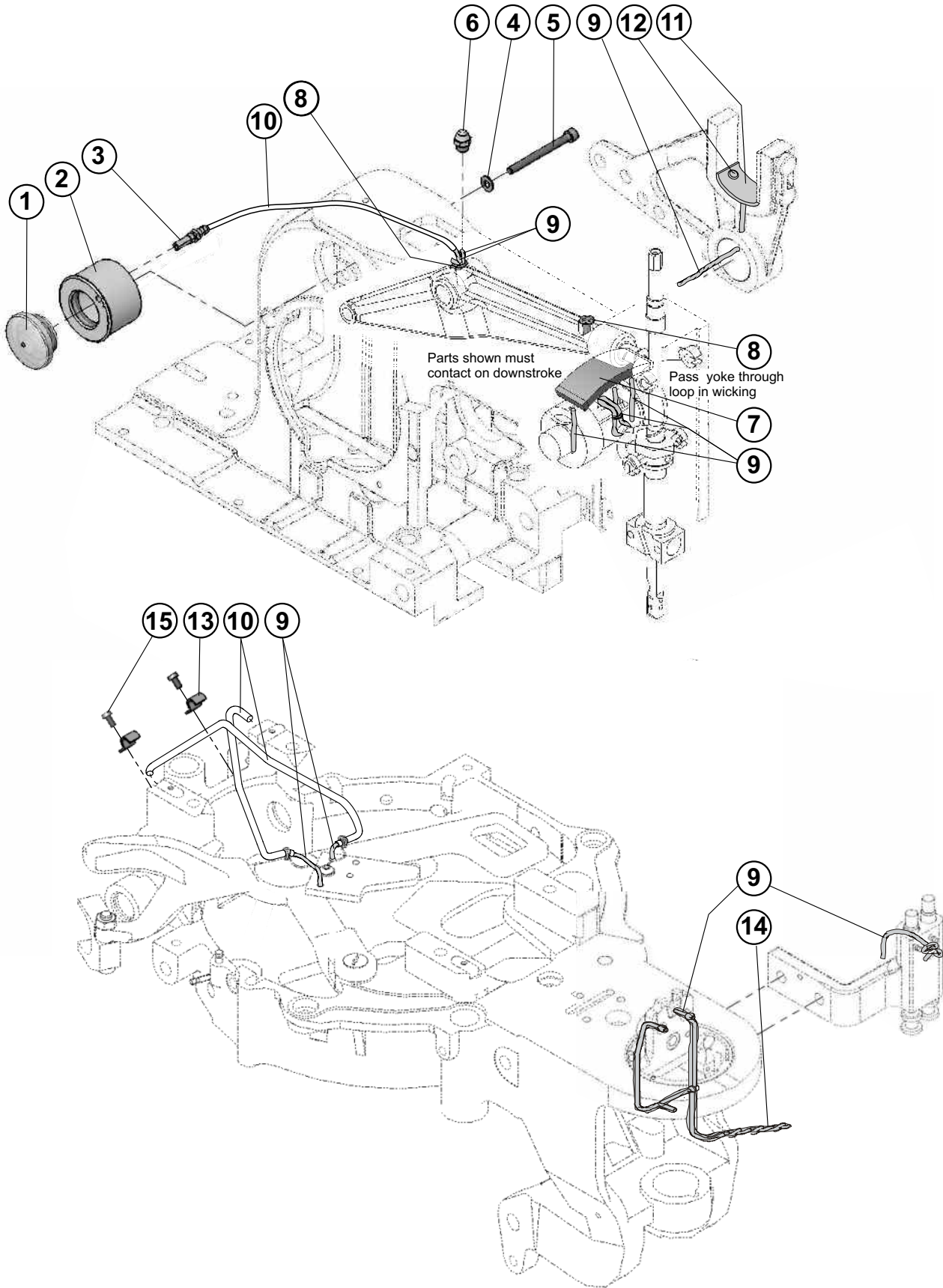
LOOPER DRIVE



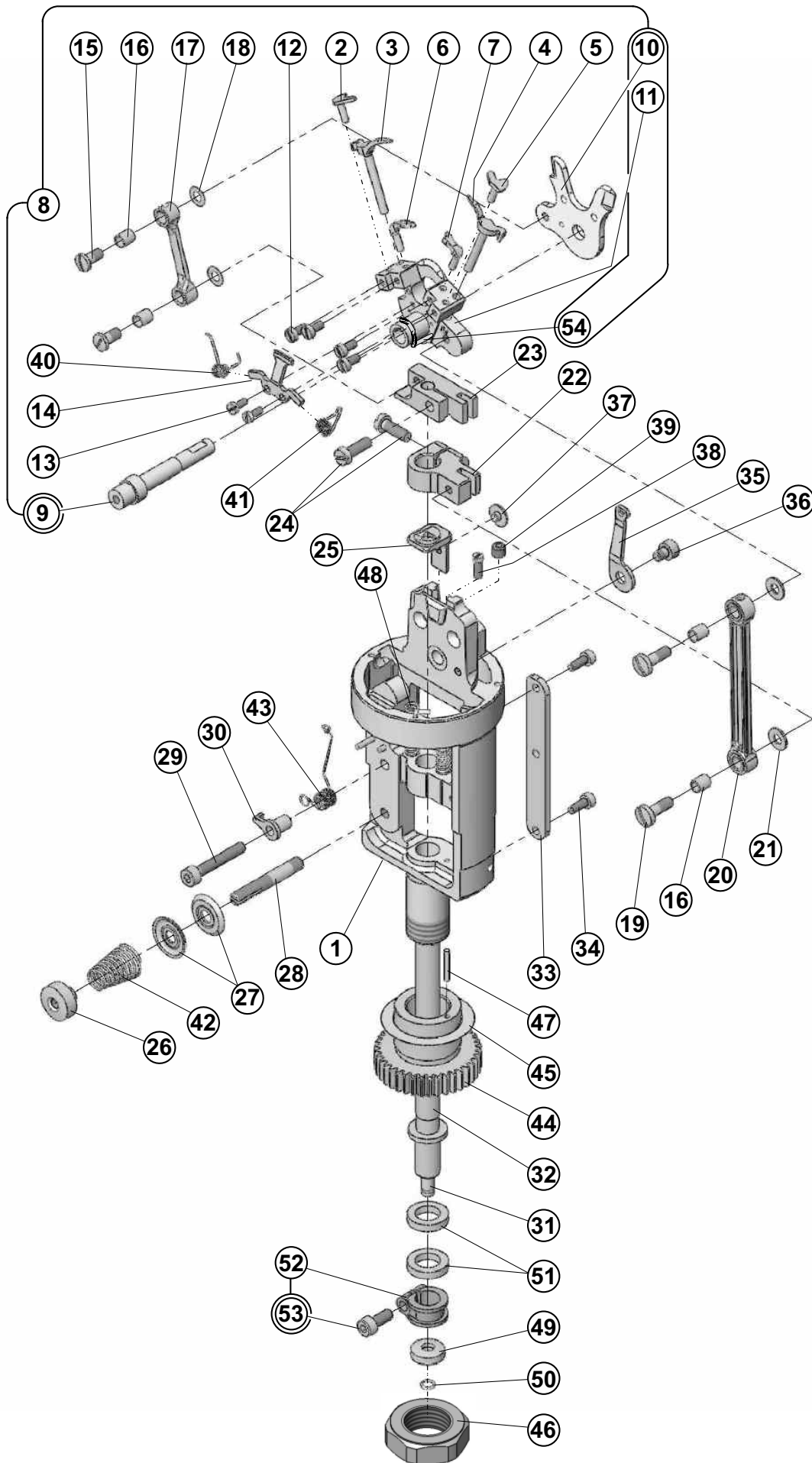
LOOPER DRIVE

DET	PART NUMBER	DESCRIPTION	QTY.
01	11.3004.0.050	SPREADER ROCKER - ASSEMBLY	1
02	11.3004.0.000	SPREADER ROCKER ●	(1)
03	11.1061.0.000	SCREW BALL	(1)
04	08.6700.3.000	NUT M3	(1)
05	11.3006.0.050	LOOPER ROCKER - ASSEMBLY	1
06	11.3006.0.000	LOOPER ROCKER ●	(1)
07	17.0033.3.131	PLUG	(2)
08	08.6710.5.000	NUT M5	(2)
09	11.1059.0.000	PLUG	2
10	11.1058.0.050	SPREADER CAM FOLLOWER ●	1
11	08.6400.4.008	SCREW M4-8	1
12	11.1060.0.050	ROD - ASSEMBLY	1
13	11.1067.0.000	LINK LOOPER ●	1
14	11.1063.0.000	SCREW	1
15	11.1066.0.000	SCREW - SHOULDER	1
16	11.1064.0.000	CAM FOLLOWER ●	1
17	11.1026.0.000	CORE DISC	1
18	08.6400.8.008	SCREW M8-8	1
19	10.1062.0.000	JAM PLUG ●●	1
20	19.0032.6.401	PLUG	1
21	17.0033.1.011	PLUG	1
22	08.6700.6.300	NUT M6-0,75	1
23	08.6710.8.400	NUT M8-1	1
24	11.1122.0.980	ROLL 15	1
25	08.6400.5.008	SCREW M5-8	1
26	08.6400.4.006	SCREW M4-6	1

LUBRICATION



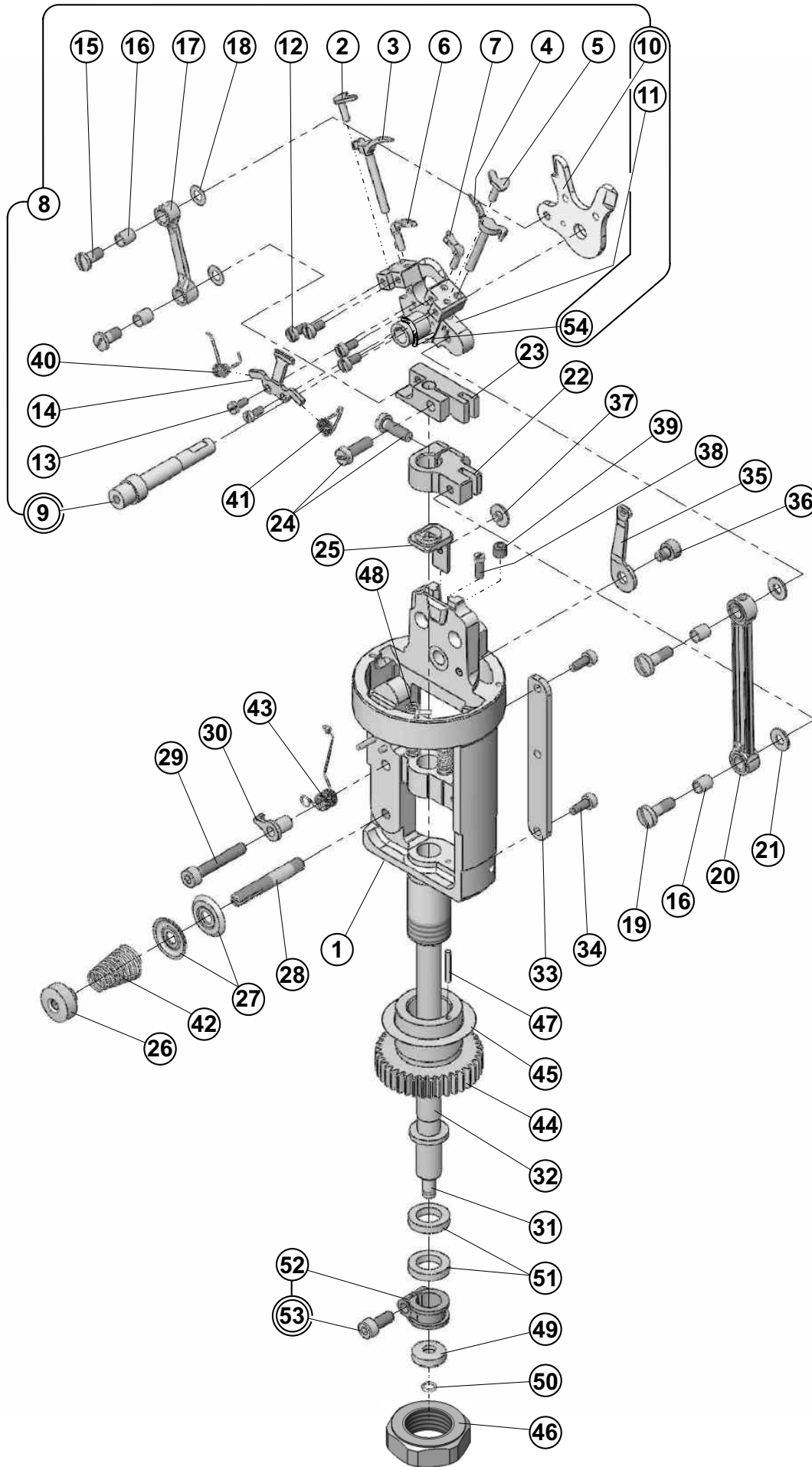
RACE



RACE

DET	PART NUMBER	DESCRIPTION	QTY.
01	11.4001.0.050	RACE - ASSEMBLY	1
02	10.4007.0.000	SPREADER STOP LH	1
03	14.4009.1.000	SPREADER LH	1
04	14.4008.1.000	SPREADER RH	1
05	10.4006.0.000	SPREADER STOP RH	1
06	14.4005.0.030	EYE LOOPER	1
07	14.4004.0.000	BLIND LOOPER	1
08	11.4002.0.051	CUPPER CARRIER - ASSEMBLY	1
09	11.4201.0.000	STUD LOOPER CARRIER	(1)
10	11.4011.0.000	SPREADER WEDGE - CB	(1)
11	11.4002.0.001	CARRIER - LOOPER	(1)
12	08.6010.3.006	SCREW M3-6	4
13	17.0012.0.404	SCREW	2
14	10.4010.2.000	NEEDLE GUARD	1
15	17.0012.1.140	SCREW	2
16	17.0041.1.094	BUSHING	4
17	19.0063.1.073	SPREADER LINK	1
18	17.0019.0.228	WASHER	2
19	17.0012.1.142	SCREW	2
20	17.0004.4.829	LOOPER LINK	1
21	17.0019.1.088	WASHER	2
22	17.0074.4.405	CLAMP	1
23	17.0064.6.117	CLAMP	1
24	08.6010.4.012	SCREW M4-12	2
25	10.4012.2.004	THROAT PLATE	1
26	17.0017.1.016	NUT	1
27	17.0082.8.084	TENSION PLATE	2
28	17.0011.8.041	SCREW	1
29	08.6000.4.025	SCREW M4-25	1
30	17.0064.7.162	PLATE	1
31	11.4020.0.000	SPREADER SPINDLE	1
32	19.0034.6.402	SHAFT, LOOPER DRIVE	2
33	17.0081.5.082	WIRE	1
34	08.6000.3.008	SCREW M3-8	2
35	10.4035.0.000	CORD GUIDE	1
36	08.6000.4.005	SCREW M4-5	1
37	01.2056.1.000	SCREW - FULL THREADER	1
38	17.0012.2.400	SCREW	1
39	08.6400.5.005	SCREW M5-5	1
40	01.5620.0.000	SPRING LH	1
41	01.5619.0.000	SPRING RH	1
42	01.5028.0.000	SPRING	1
43	17.0026.4.035	SPRING	1
44	17.0055.1.158	GEAR	1
45	01.4081.0.005	WASHER - PLAIN (0.005")	1
46	17.0016.1.093	NUT	1
47	17.0031.0.406	PIN	1
48	01.5026.0.000	SPRING - COMPRESION	2
49	19.0041.2.404	ROLL	1
50	17.0027.4.045	RING	1

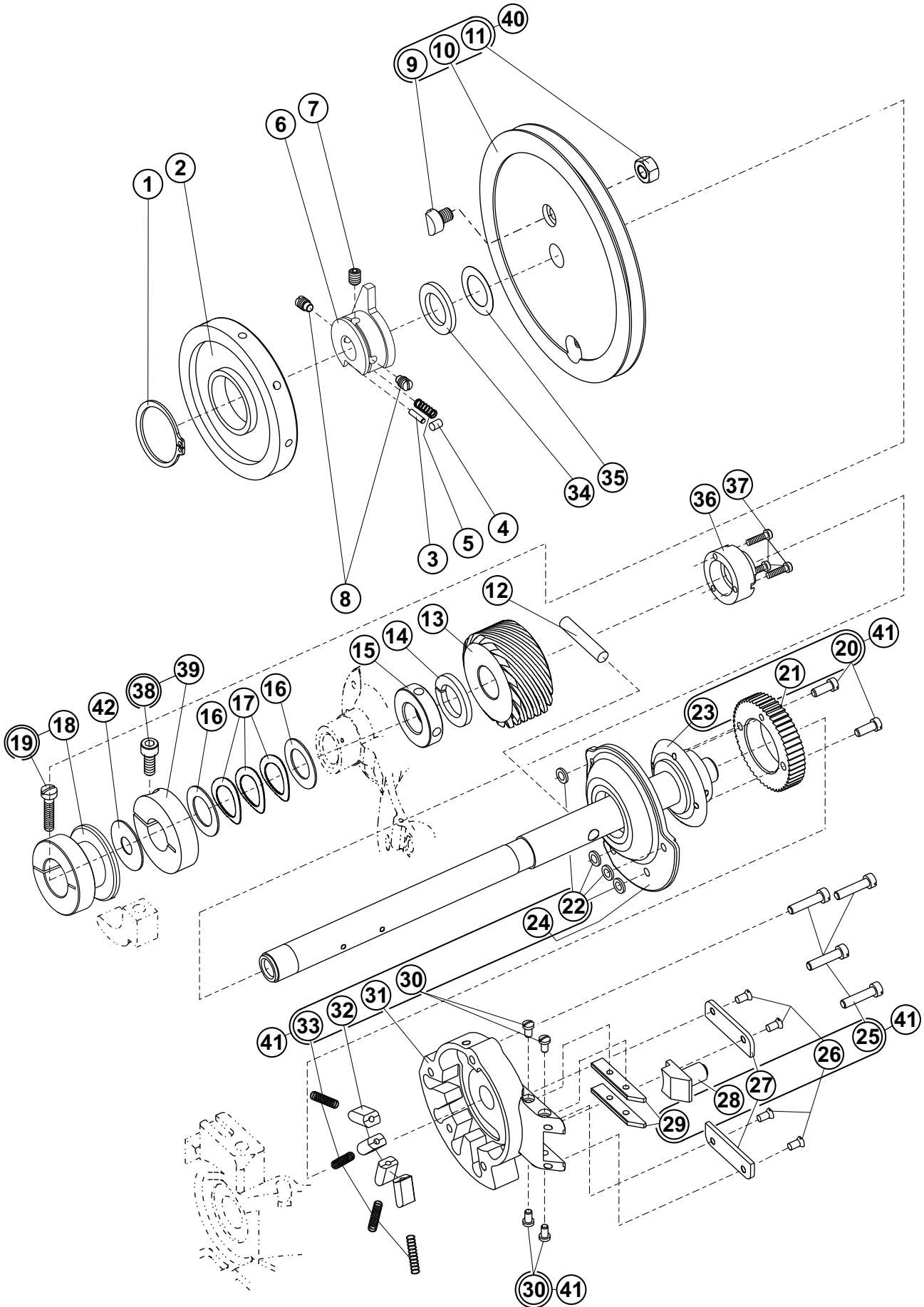
RACE



RACE

DET	PART NUMBER	DESCRIPTION	QTY.
51	17.0019.0.398	RING	2
52	19.0043.6.441	CLAMP ●	1
53	08.6000.4.010	SCREW M4-10	(1)
54	07.0401.0.000	LOOPER CAR ●●●	(1)

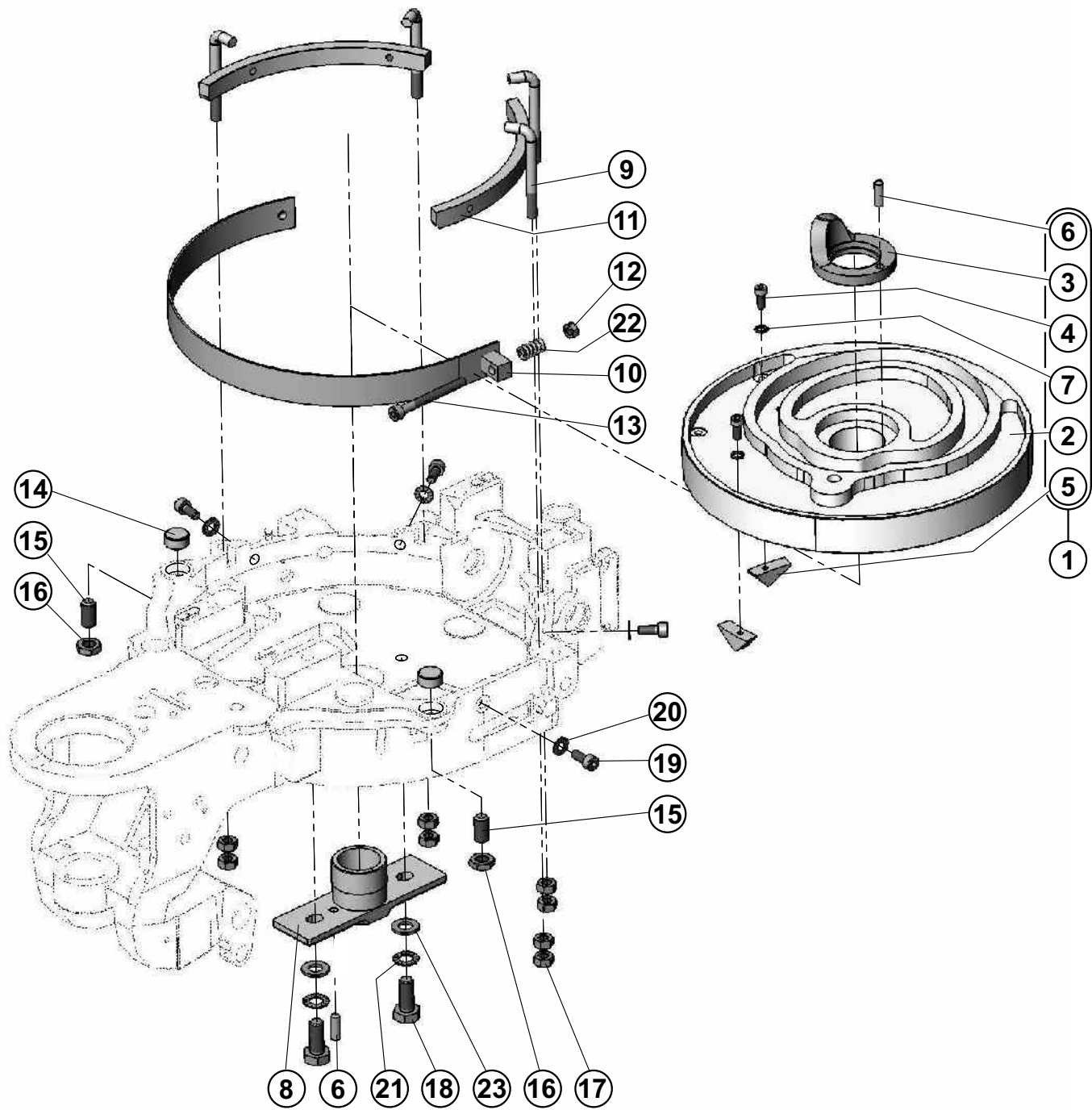
MAIN CAM DRIVE SHAFT



MAIN CAM DRIVE SHAFT

DET	PART NUMBER	DESCRIPTION	QTY.
01	12.1045.1.010	RING	1
02	11.3110.0.000	HAND WHEEL	1
03	12.1010.0.208	PIN	1
04	12.2099.1.006	ROLL BEARING	1
05	17.0026.0.213	SPRING	1
06	11.3123.0.001	DRIVE HUB	1
07	17.0011.2.013	SCREW	1
08	17.0011.2.063	SCREW	2
09	17.0033.5.113	DOG	(1)
10	17.0052.0.315	PULEY	(1)
11	08.6710.8.400	NUT	(1)
12	10.3051.0.000	DRIVE PIN	1
13	10.3050.0.000	WORM GEAR	1
14	01.4009.0.000	LOCK WASHER	1
15	10.3049.0.000	RUT ROUND	1
16	01.4007.0.000	SHIM RING	2
17	01.5683.0.000	CUVERD SPRING WASHER	3
18	17.0044.5.114	SHIFTER SPOOL	1
19	08.6000.5.020	SCREW M5-20	(1)
20	01.2002.0.000	SCREW	(2)
21	10.3048.0.000	RATCHET	(1)
22	01.3001.0.000	NUT	(3)
23	11.3047.0.051	WORM SHAFT ASS.	(1)
24	10.3054.2.000	INNER CASE COVER	(1)
25	01.2037.0.000	SCREW	(4)
26	01.2075.0.000	SCREW	(4)
27	10.3080.0.000	OUTER PLATE	(2)
28	11.3079.0.000	SLIDE STUD	(1)
29	10.3082.0.000	INNER PLATE	(2)
30	01.2008.0.000	SCREW	(4)
31	10.3053.1.000	PAWL CASE	(1)
32	10.3052.0.000	PAWL	(4)
33	01.5018.0.000	SPRING	(4)
34	17.0094.1.143	BUSHING RUBBER	●●● 1
35	17.0019.0.610	WASHER	1
36	11.3044.0.001	BUSHING	●● 1
37	08.6010.4.016	SCREW	3
38	08.6000.5.016	SCREW	(1)
39	11.3046.0.000	FRICTION COLLAR	1
40	11.3039.0.051	CUTTING WHEEL ASS.	1
41	11.3047.0.851	SHAFT FEED CLUTCH ASSEMBLY	1
42	17.0094.3.142	WASHER FELT	1

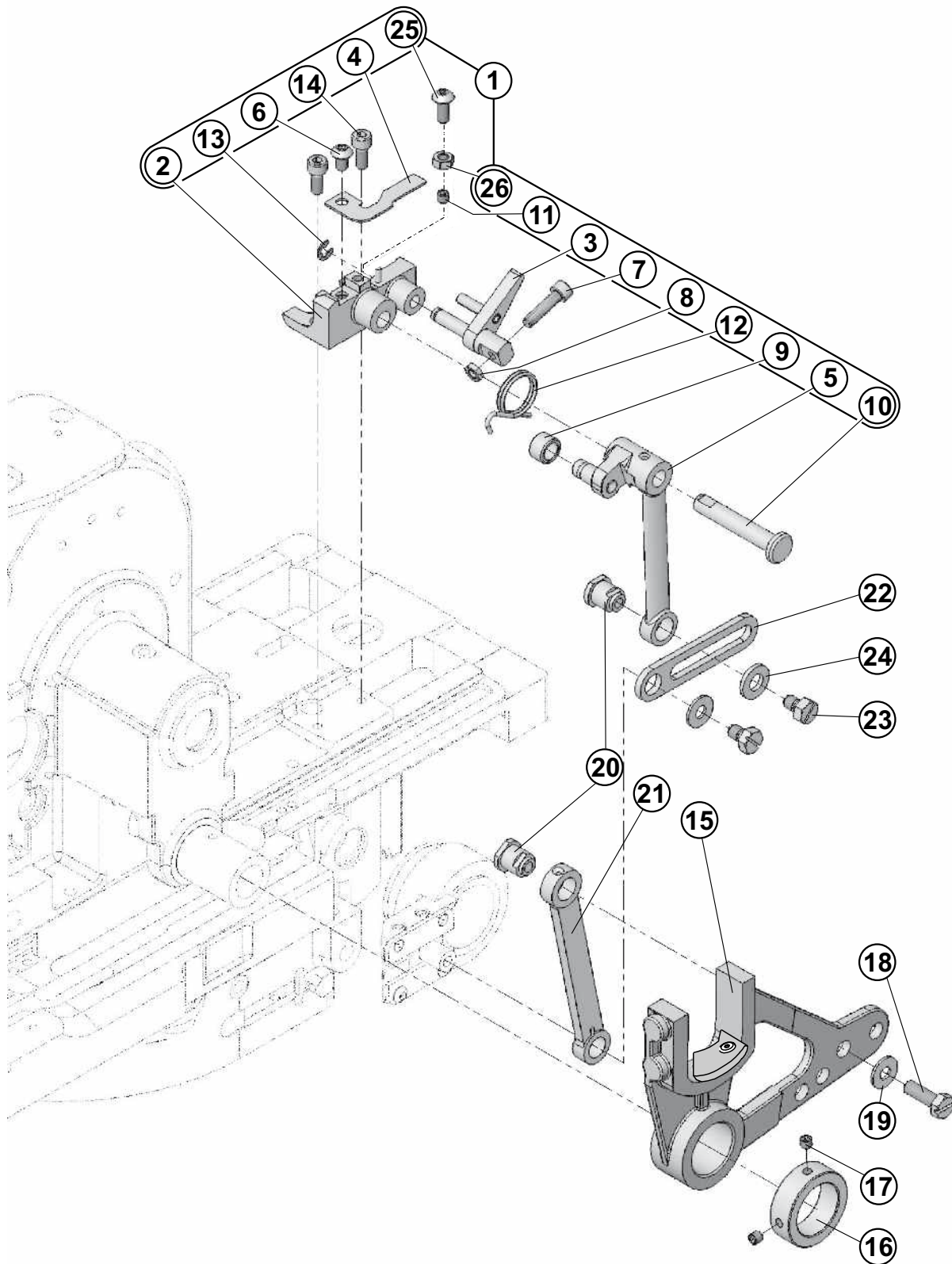
MAIN CAM



MAIN CAM

DET	PART NUMBER	DESCRIPTION	QTY.
01	10.3064.0.830	MAIN CAM	1
02	14.3064.0.001	MAIN CAM	(1)
03	10.3062.1.000	CUTTING CAM	(1)
04	01.2347.0.000	SCREW M4-10	(2)
05	10.3061.0.300	WEDGE - CLEMPING	(2)
06	12.1010.0.516	PIN 5-16	1+(1)
07	01.4061.0.000	WASHER M4	(2)
08	11.3027.0.001	CAM CENTER	1
09	11.3066.0.000	HOOK	4
10	17.0002.7.589	BRAKE BAND - ASSEMBLY	●● 1
11	11.3035.0.000	GIB HOLD DOWN	2
12	08.6700.5.000	NUT M5	1
13	08.6000.5.050	SCREW M5-50	1
14	17.0019.2.021	STONE	2
15	08.6400.8.416	SCREW M8x1-16	2
16	08.6710.8.400	NUT M8x1	2
17	08.6700.6.300	NUT M6x0,75	8
18	08.6300.8.020	SCREW M8-20	2
19	08.6000.5.012	SCREW M5-12	4
20	08.6850.5.000	WASHER M5	4
21	08.6850.8.000	WASHER M8	2
22	18.0026.0.601	SPRING - COMPRESSION	1
23	08.6832.8.000	WASHER M8	2

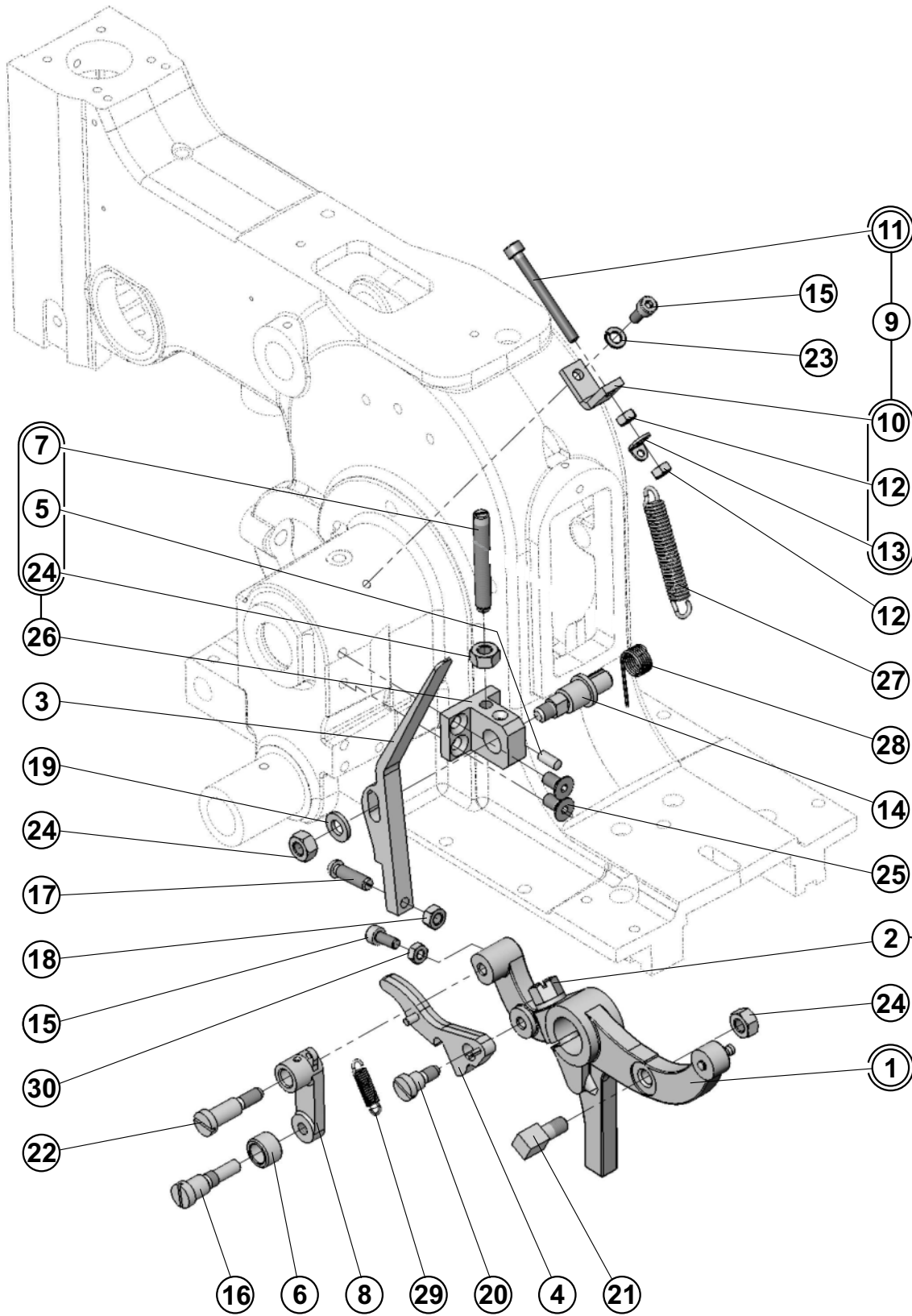
FEEDING AND DENSITY MECHANISM



FEEDING AND DENSITY MECHANISM

DET	PART NUMBER	DESCRIPTION	QTY.
01	11.1167.0.050	LINE SHIFTER - ASSEMBLY	1
02	11.1167.0.000	SHIFTER BLOCK	(1)
03	11.1169.0.000	SHIFTER - ASSEMBLY	(1)
04	01.5447.0.000	SPRING - FLAT	(1)
05	11.1168.0.000	LINK	(1)
06	08.6200.5.008	SCREW M5-8	(1)
07	08.6000.5.020	SCREW M5-20	(1)
08	08.6710.5.000	NUT M5	(1)
09	17.0041.8.008	ROLL	(1)
10	11.1184.0.000	STUD	(1)
11	08.6400.5.005	SCREW M5-5	(1)
12	01.5448.0.000	SPRING - TORSION	(1)
13	12.1045.0.004	RETAINING RING 4	(1)
14	08.6000.5.012	SCREW M5-12	(2)
15	11.1108.0.000	FEED CAM FOLLOWER	1
16	11.1111.0.000	COLLAR	1
17	17.0011.1.149	SCREW M5-0,5- 5	2
18	17.0014.1.068	SCREW M6-0,75-23	1
19	17.0019.0.230	WASHER	2
20	11.1171.0.000	STUD	2
21	11.1109.0.001	LINK	1
22	11.3081.0.000	ARM - MASCHINING	1
23	17.0014.1.015	SCREW M6-0,75-9	2
24	11.3083.0.000	WASHER	1
25	08.6200.5.012	SCREW M5-12	(1)
26	08.6700.5.000	NUT M5	(1)

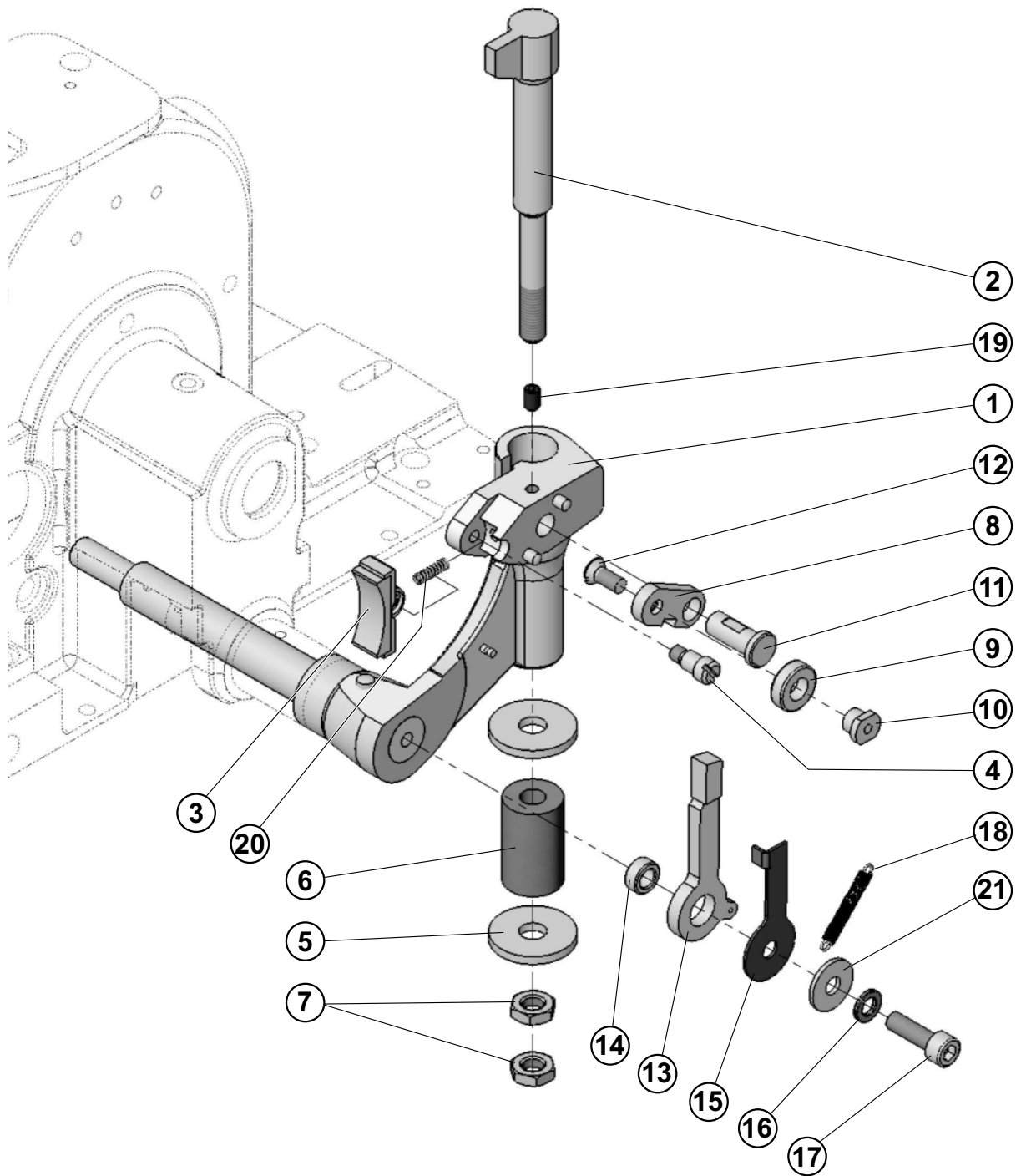
TREE FORK LEVER AND SEWING SWITCH-OFF



TREE FORK LEVER AND SEWING SWITCH-OFF

DET	PART NUMBER	DESCRIPTION	QTY.
01	11.1113.0.000	THREE FORK LEVER	1
02	17.0014.1.205	SCREW M8-0,75-22.5	(1)
03	11.1124.0.000	TRIP LEVER	1
04	11.1118.0.000	LEVER	1
05	12.1014.0.007	PIN 4-12	(1)
06	17.0041.8.008	ROLL	1
07	17.0011.3.022	SCREW M6-45	(1)
08	11.1120.0.000	LEVER	1
09	01.5055.0.051	LENE SPRINNG BRACKER - ASSEMBLY	1
10	14.1099.0.000	SPRING BRACKET	(1)
11	08.6000.4.040	SCREW M4-40	(1)
12	08.6700.4.000	NUT M4	(2)
13	14.5034.0.000	CORD GUIDE	(1)
14	17.0033.3.053	STUD	1
15	08.6000.4.010	SCREW M4-10	2
16	17.0013.1.419	SCREW M6-0,75-26 E	1
17	17.0012.4.011	SCREW M5-17,5	1
18	08.6700.5.000	NUT M5	1
19	08.6850.6.000	WASHER 6,4	1
20	17.0013.1.417	PLUG	1
21	17.0014.4.001	STUD M6-12	1
22	17.0013.1.418	SCREW M5-27	1
23	08.6800.4.000	WASHER 4	1
24	08.6700.6.000	NUT M6	2+(1)
25	08.6100.5.010	SCREW M5-10	2
26	17.0064.5.174	BRACKET	1
27	01.5055.0.000	SPRING - EXTENSION	1
28	17.0026.4.036	TORSION SPRING	1
29	17.0026.3.126	SPRING	1
30	08.6700.4.000	NUT M4	1

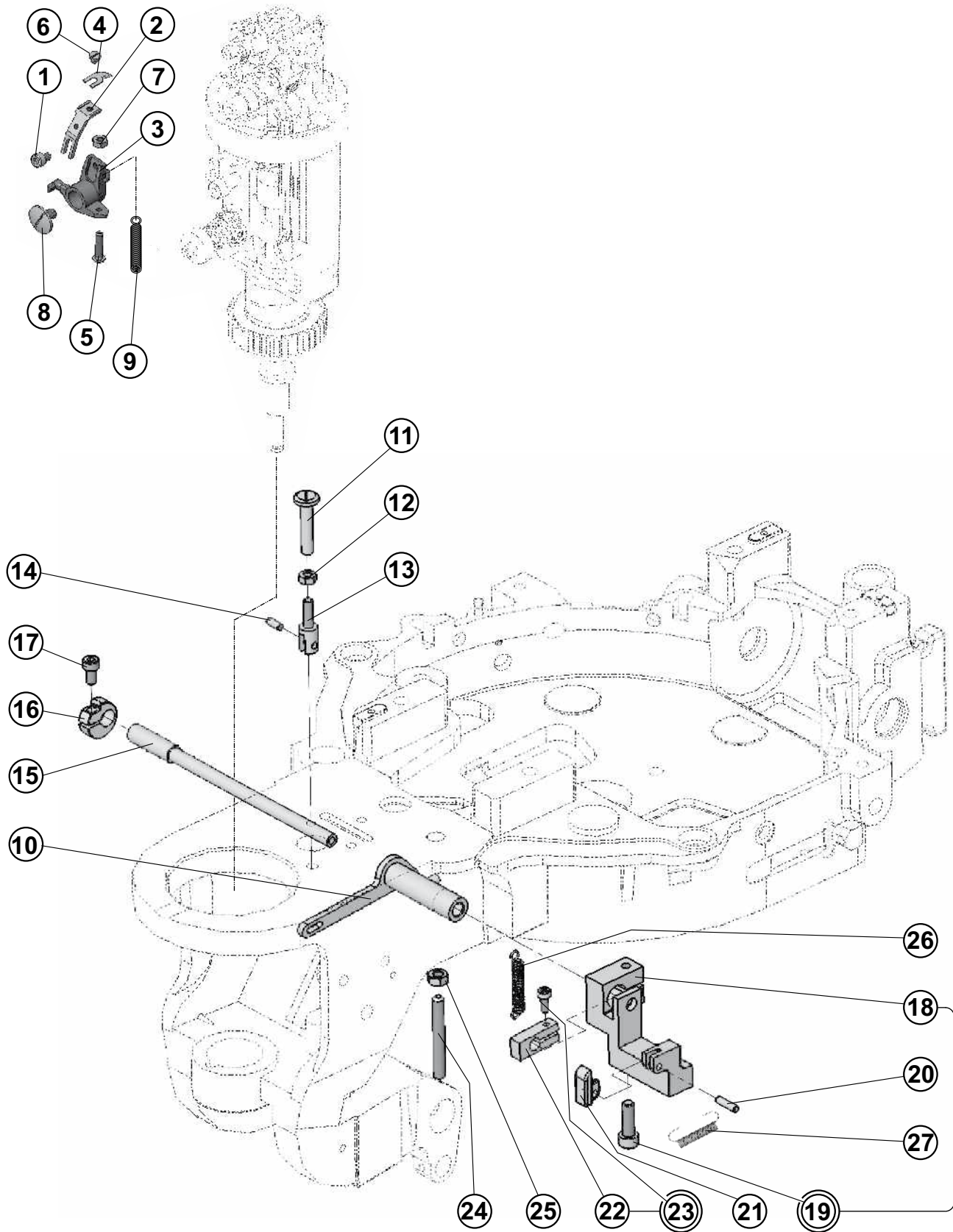
ROCKING LEVER



ROCKING LEVER

DET	PART NUMBER	DESCRIPTION	QTY.
01	11.1098.1.050	ROCKING LEVER	1
02	17.0062.5.179	BOLT	1
03	17.0002.4.121	BREAKE-ASSEMBLY ●●●	1
04	17.0013.1.413	SROUB	1
05	17.0019.0.441	WASHER	2
06	01.5605.0.000	SPRING, ELASTOMER ●●●	1
07	08.6710.8.000	NUT M8	2
08	17.0061.2.415	LEVER	1
09	17.0041.8.400	ROLL	1
10	17.0016.3.400	NUT M5	1
11	11.1103.0.300	STUD	1
12	17.0012.6.096	SCREW M5x12	1
13	13.1100.0.000	LACHT	1
14	17.1099.0.000	BUSHING	1
15	11.1099.0.000	HOLDACK	1
16	08.6800.6.000	WASHER 6	1
17	08.6000.6.020	SCREW M6-20	1
18	01.5011.0.000	SPRING	1
19	08.6400.5.008	SCREW M5-8	1
20	01.5003.0.000	SPRING	1
21	08.6842.6.000	WASHER M6	1

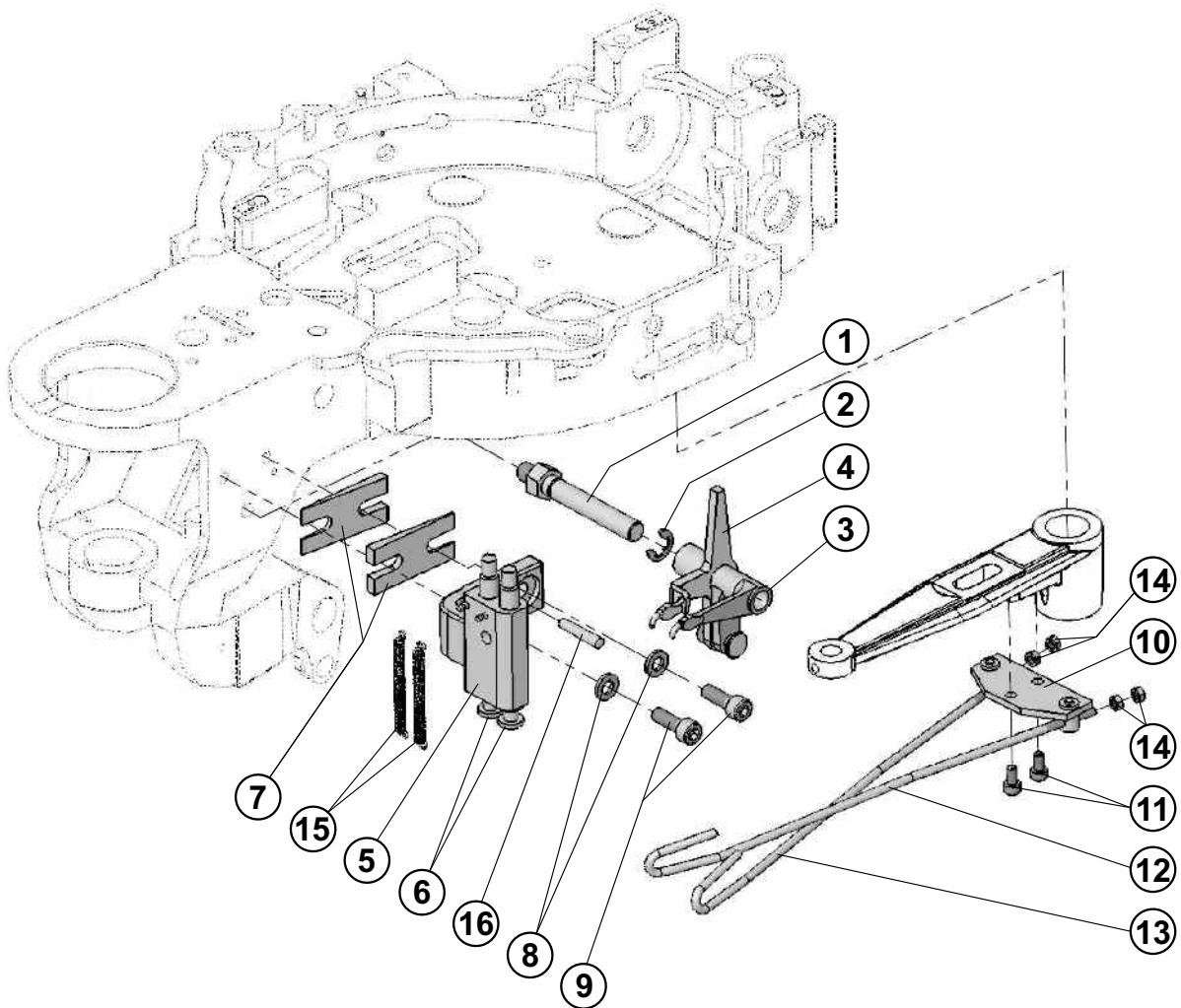
UPPER THREAD TRIMMER



UPPER THREAD TRIMMER

DET	PART NUMBER	DESCRIPTION	QTY.
01	08.6000.3.005	SCREW M3-5	1
02	11.1198.0.000	KNIFE HOLDER	1
03	11.4202.0.000	LEVER	1
04	14.1197.1.000	KNIFE TRIMMER	1
05	17.0013.6.081	SCREW	1
06	17.0012.0.688	SCREW M2,5-3,5	1
07	08.6700.3.000	NUT M3	1
08	17.0012.4.042	SCREW M4	1
09	01.5041.0.000	SPRING - EXTENSION	1
10	11.3085.0.000	TRIMMING LEVER - ASSEMBLY	1
11	11.3206.0.000	ACTUATOR	1
12	08.6700.4.000	NUT M4	1
13	11.3205.0.000	CLAVIS	1
14	12.1010.0.308	PIN 3-8	1
15	11.5019.0.000	SHAFT	1
16	18.0043.6.284	COLLAR	1
17	08.6000.4.008	SCREW M4-8	(1)
18	11.3087.0.000	HOLDER	1
19	08.6000.5.016	SCREW M5-16	(1)
20	12.1010.0.312	PIN 3-12	1
21	10.3089.2.000	LATCH	1
22	11.3088.0.000	CLAMP	1
23	08.6000.3.008	SCREW M3-8	(1)
24	08.6400.5.040	SCREW M5-40	1
25	08.6700.5.000	NUT M5	1
26	01.5134.0.000	SPRING - EXTENSION	1
27	01.5433.0.000	SPRING - EXTENSION	1

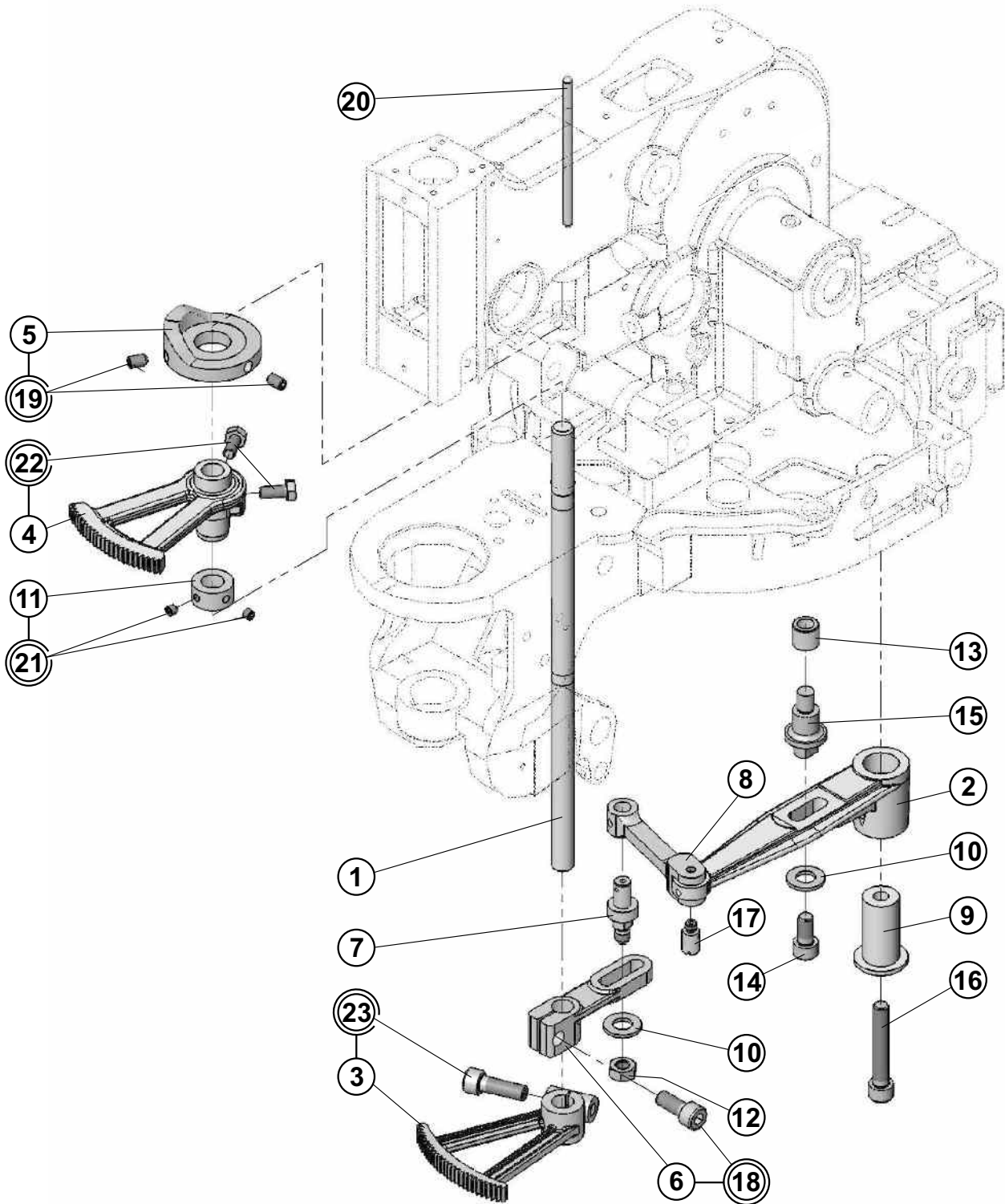
BUTTONHOLE SHAPE CHANGE



BUTTONHOLE SHAPE CHANGE

DET	PART NUMBER	DESCRIPTION	QTY.
01	11.3255.0.000	SHOULDER STUD	1
02	17.0027.4.085	LOCK RING 7	1
03	11.3254.0.000	ACTUATOR R.H.	1
04	11.3253.0.000	ACTUATOR L.H.	1
05	11.3251.0.000	BRACKET	1
06	11.3252.0.000	PIN	2
07	10.3250.1.000	SPACER	2
08	08.6850.6.000	WASHER 6,4	2
09	08.6000.6.018	SCREW M6-18	2
10	10.3258.0.000	BRACKET - ASSEMBLY OF WIRE	1
11	08.6000.4.008	SCREW M4-8	2
12	11.3259.0.001	WIRE ROD - RIGHT	1
13	11.3259.0.002	WIRE ROD - LEFT	1
14	08.6707.1.000	NUT M3,5	4
15	01.5054.0.000	SPRING - EXTENSION	2
16	12.1011.0.425	PIN 4-25	1

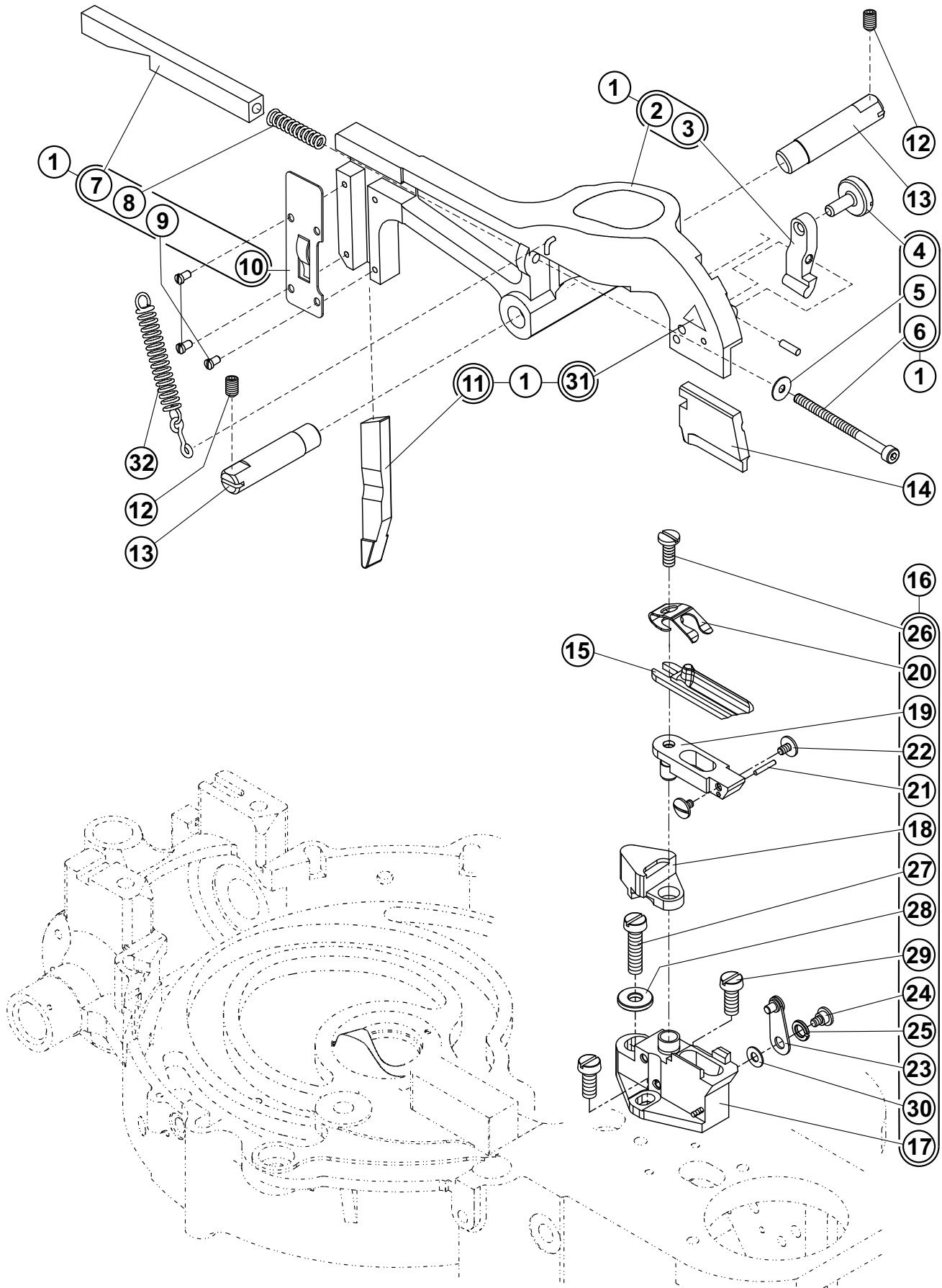
TURNING ASSEMBLY



TURNING ASSEMBLY

DET	PART NUMBER	DESCRIPTION	QTY.
01	11.3009.0.000	SECTOR SHAFT	1
02	11.3015.0.000	LEVER SECTOR	1
03	17.0055.3.025	GEAR SECTOR - UNDER	1
04	11.1075.0.000	GEAR SECTOR - UPPER	1
05	11.1160.0.000	CAM	1
06	17.0063.6.308	LEVER REVERSE	1
07	17.0033.3.132	PLUG	1
08	17.0063.6.044	FORK	1
09	11.3016.0.000	BUSHING	1
10	08.6850.0.000	WASHER 10	2
11	17.0043.6.018	COLLAR RING	1
12	08.6700.8.000	NUT M8	1
13	11.3018.0.001	ROLL 14J5/9H5-12	1
14	08.6000.8.016	SCREW M8-16	1
15	11.3017.0.000	STUD	1
16	08.6000.8.050	SCREW M8-50	1
17	17.0033.1.153	SCREW	1
18	08.6000.8.020	SCREW M8-20	(1)
19	08.6400.6.010	SCREW M6-10	(2)
20	01.6334.0.000	ROD	1
21	08.6400.5.305	SCREW M5-0,5-5	(2)
22	17.0014.1.133	SCREW M6-14	(2)
23	08.6000.8.025	SCREW M8-25	(1)

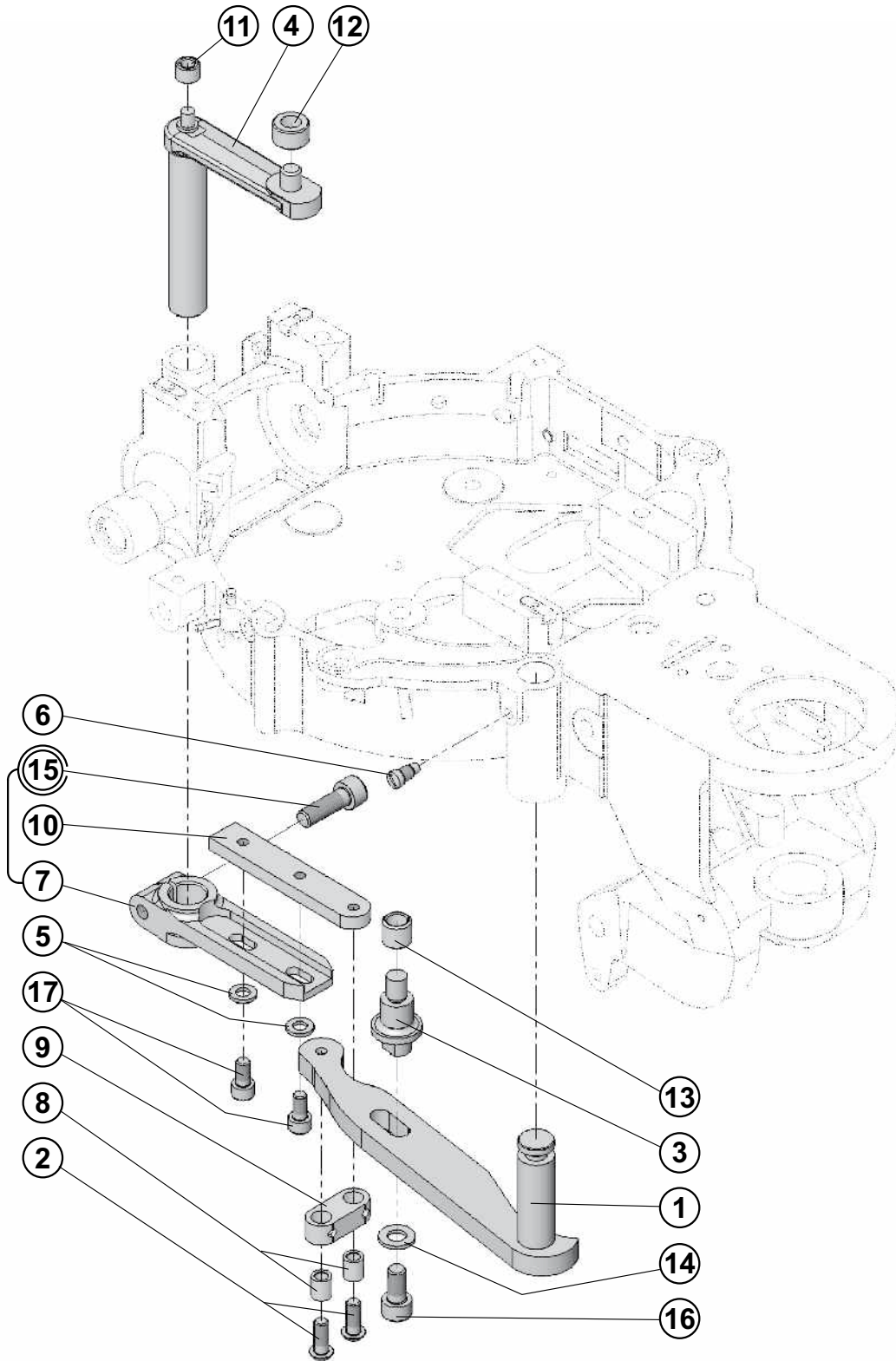
CUTTING LEVER ASSEMBLY



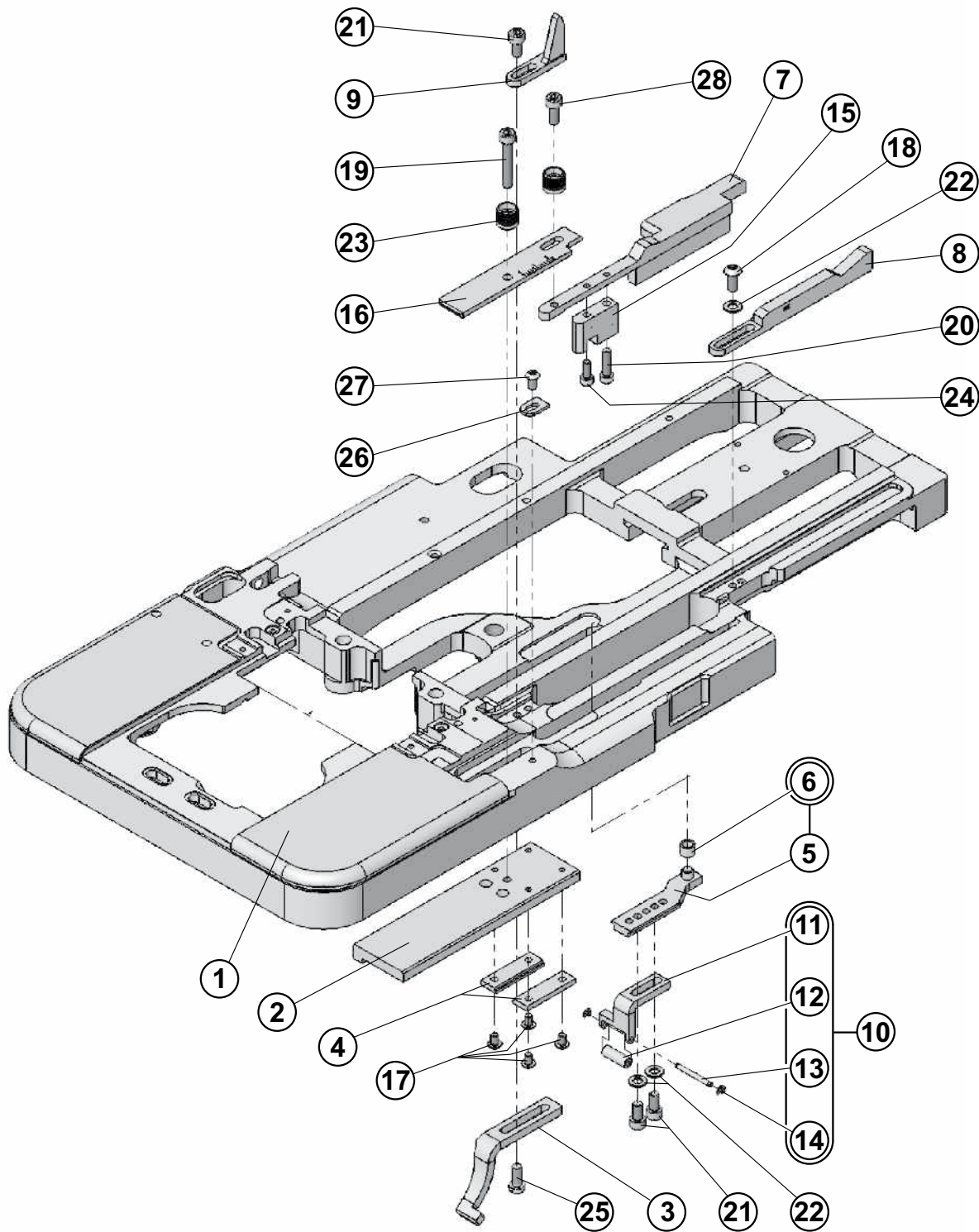
CUTTING LEVER ASSEMBLY

DET	PART NUMBER	DESCRIPTION	QTY.
01	11.1068.0.851	LINE CUTTING LEVER ASSEMBLY	1
02	11.1068.0.051	CUTTING LEVER	(1)
03	10.1163.0.000	CLAMP	(1)
04	01.1257.0.000	SCREW 3/16-36	(1)
05	08.6832.4.000	WASHER	(1)
06	08.6000.4.060	SCREW M6-60	(1)
07	11.1072.0.000	PRESSURE BAR	(1)
08	17.0026.1.082	SPRING	(1)
09	08.6010.3.006	SCREW	(3)
10	17.0082.5.108	COVER PLATE	(1)
11	11.1071.0.000	CUTTING CAM FOLLOWER	(1)
12	08.6400.5.010	SCREW M5-10	2
13	11.1074.0.001	STUD-PIVOT	2
14	10.1069.0.007	CUTTING STEEL 32 mm	1
15	10.3072.0.024	KNIFE 27x43x32	1
16	11.3070.0.051	KNIFE HOLDER - ASSEMBLY	1
17	11.3070.0.001	HOLDER-KNIFE	(1)
18	10.3067.4.254	WEDGE-SPREADER	(1)
19	10.3071.1.250	KNIFE, PAD	(1)
20	10.3074.0.011	CLOTH LIFTER AF-CB	(1)
21	01.6036.0.000	PIN-STRAIGHT	(1)
22	01.2102.0.000	SCREW-FULL THREADED	(2)
23	01.5173.0.000	SPRING ASSEMBLY	(1)
24	01.1130.0.000	SCREW	(1)
25	01.4003.0.000	WASHER-LOCK	(1)
26	01.2039.0.000	SCREW - FILLISTER	(1)
27	17.0012.0.232	SCREW M5x20	(1)
28	22.0208.0.000	WASHER	(1)
29	08.6010.5.012	SCREW M5x12	(2)
30	08.6850.7.001	WASHER 3,5	(1)
31	12.8000.0.409	LABEL	(1)
32	01.5006.0.001	SPRING	1

TABLE SIDE MOVEMENT



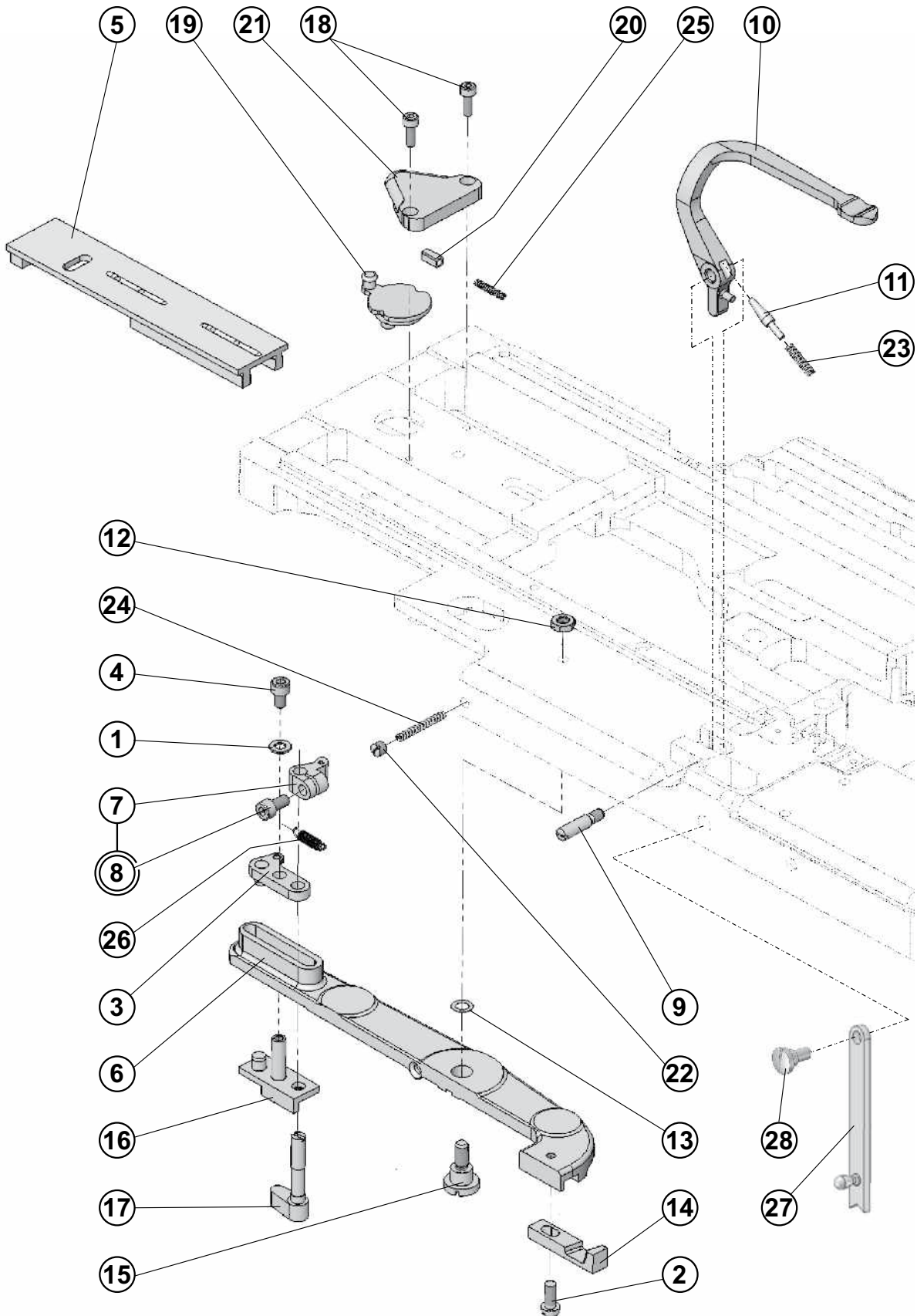
SEWING OPERATION AND FLY BAR



SEWING OPERATION AND FLY BAR

DET	PART NUMBER	DESCRIPTION	QTY.
01	11.2001.0.001	BEDPLATE MILLING ●	1
02	11.2255.0.000	PLATE - CAM FLY BAR	1
03	11.2256.0.000	BRACKET	1
04	10.2264.0.000	GUIDE PLATE	2
05	11.2263.0.000	LINK	1
06	11.2263.0.901	ROLL ●●●	(1)
07	11.2018.0.000	LENGTH GUIDE	1
08	11.2061.0.000	WEDGE STITCH INCREASE	1
09	11.2016.0.000	BUMPER	1
10	11.2069.0.050	TRIP BRACKET - ASSEMBLY	1
11	11.2069.0.000	TRIP BRACKET	(1)
12	11.2069.0.902	TRIP ROLLER	(1)
13	11.2069.0.901	PIN-PIVOT	(1)
14	01.6280.0.000	RETAINING RING	(2)
15	11.2262.0.000	BLOCK	1
16	11.2251.0.000	LENGTH PLATE	1
17	08.6200.4.006	SCREW M4-6	4
18	08.6200.5.012	SCREW M5-12	1
19	08.6000.5.030	SCREW M5-30	1
20	08.6000.4.016	SCREW M4-16	1
21	08.6000.5.010	SCREW M5-10	3
22	08.6850.5.000	WASHER 5,3	3
23	11.2254.0.000	BUTTON	2
24	08.6000.4.010	SCREW M4-10	1
25	08.6010.5.012	SCREW M5-12	1
26	11.2008.0.000	STOP	1
27	08.6200.4.008	SCREW M4-8	1
28	08.6000.5.012	SCREW M5-12	1

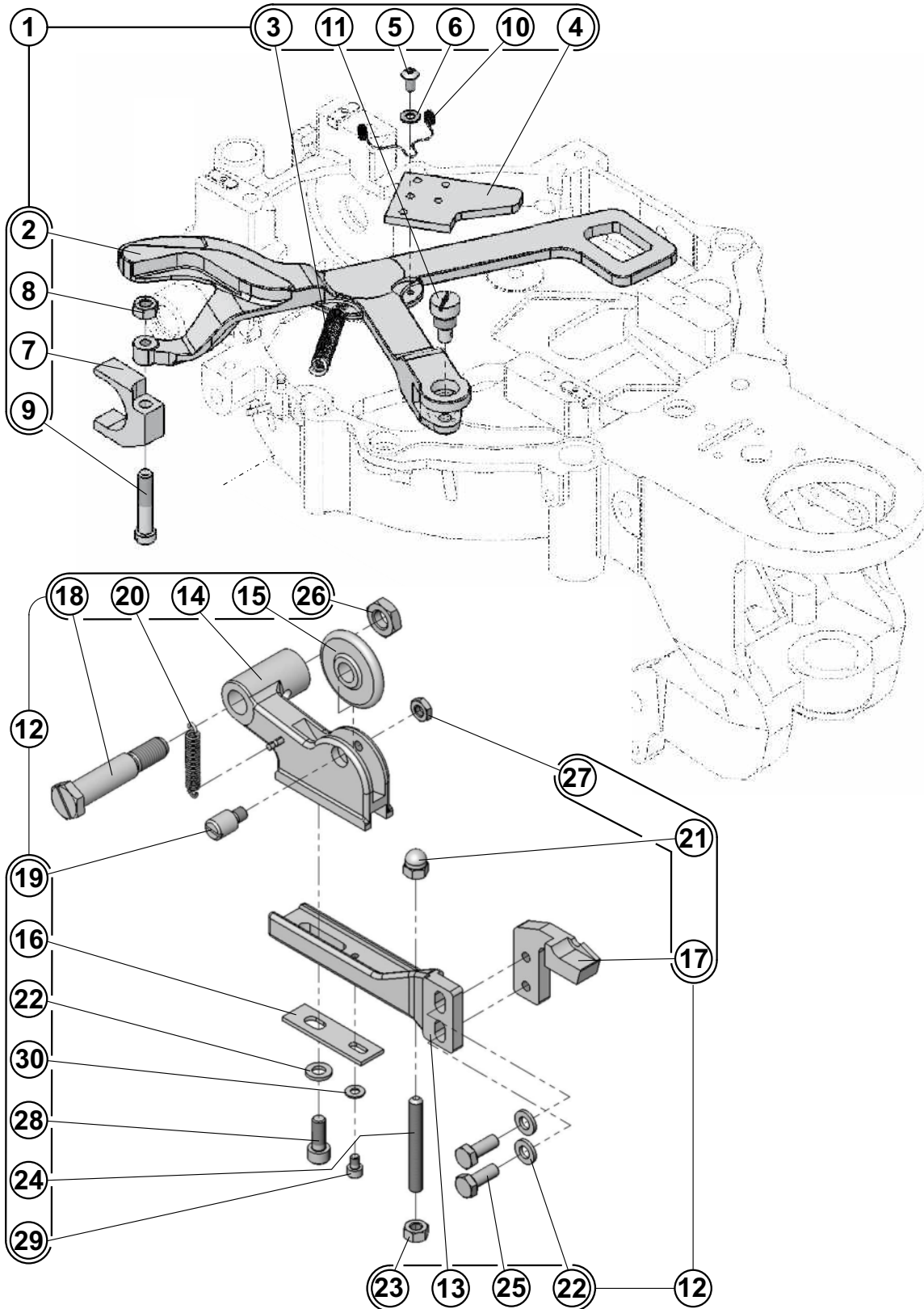
STARTING LEVER



STARTING LEVER

DET	PART NUMBER	DESCRIPTION	QTY.
01	08.6850.5.000	WASHER 5,3	1
02	08.6010.5.012	SCREW M5-12	1
03	10.2072.0.000	MAKE ASSEMBLY PLATE	1
04	08.6000.5.008	SCREW M5-8	1
05	10.2260.0.200	PLATE-GUIDE	1
06	11.2012.0.000	SWITCH LEVER	1
07	11.2073.0.000	LATCH	1
08	08.6000.5.010	SCREW M5-10	(1)
09	17.0033.1.010	PLUG	1
10	11.2013.0.000	STARTING LEVER	1
11	10.2015.0.000	PLUNGER	1
12	17.0016.1.141	NUT M6 LOW	1
13	11.2090.0.000	WASHER	1
14	17.0062.5.015	TRIP	1
15	17.0033.2.030	SCREW	1
16	11.2070.0.000	BLOCK - ASSEMBLY OF	1
17	10.2071.0.000	LEVER	1
18	08.6000.4.012	SCREW M4-12	2
19	10.2257.0.000	SHIFTER	1
20	10.2259.0.000	PLUNGER	1
21	10.2258.0.000	COVER	1
22	17.0011.1.148	SET - SCREW	1
23	01.5020.0.000	SPRING - COMPRESSION	1
24	01.5019.0.000	SPRING - COMPRESSION	1
25	01.5003.0.000	SPRING - COMPRESSION	1
26	01.5473.0.000	SPRING - EXTENSION	1
27	10.2005.0.000	LATCH	1
28	10.2004.1.000	SCREW	1

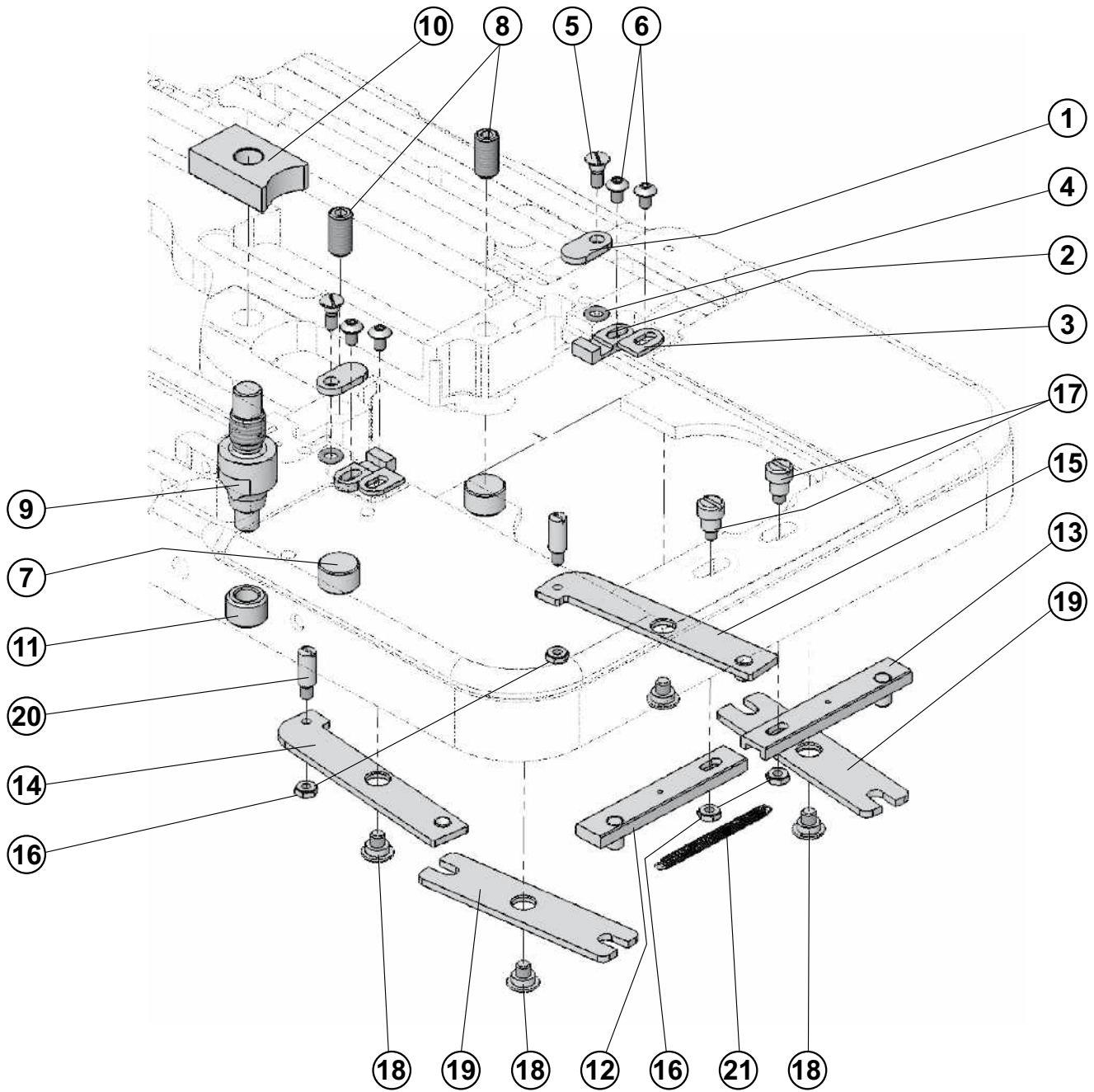
CLAMP YOKE AND SHIFTING LEVER



CLAMP YOKE AND SHIFTING LEVER

DET	PART NUMBER	DESCRIPTION	QTY.
01	11.3029.0.050	SHIFTING LEVER - ASSEMBLY	1
02	11.3029.0.000	SHIFTING LEVER	(1)
03	01.5055.0.000	SPRING - EXTENSION	(1)
04	17.0094.5.309	FELT ●●●	(1)
05	08.6200.4.008	SCREW M4-8	(1)
06	08.6850.4.000	WASHER M4	(1)
07	17.0062.5.144	SHIFTER SHOE	(1)
08	08.6700.6.000	NUT M6	(1)
09	17.0012.1.148	SCREW M6-32	(1)
10	17.0027.1.799	SPRING	(1)
11	17.0033.3.134	SCREW	(1)
12	11.3022.0.051	LEVER - ASSEMBLY	1
13	11.3022.0.000	LEVER CLAMPING	(1)
14	11.3023.0.000	LEVER	(1)
15	11.3025.0.000	ROLL	(1)
16	11.3094.0.000	SLIDE	(1)
17	11.3131.0.000	LEVER CLAMPING TIP	(1)
18	17.0014.3.011	SCREW	(1)
19	17.0033.1.011	PLUG	(1)
20	01.5015.0.000	SPRING	(1)
21	05.0144.0.000	CAP ●●●	(1)
22	08.6850.6.000	WASHER 6,4	(3)
23	08.6700.6.000	NUT M6	(1)
24	08.6400.6.050	SCREW M6-50	(1)
25	08.6310.6.016	SCREW M6-16	(2)
26	08.6710.0.300	NUT M10	(1)
27	08.6710.6.300	NUT M6-0,75	(1)
28	08.6000.6.016	SCREW M6-16	(1)
29	08.6000.4.008	SCREW M4-8	(1)
30	08.6850.4.000	WASHER M4	(1)

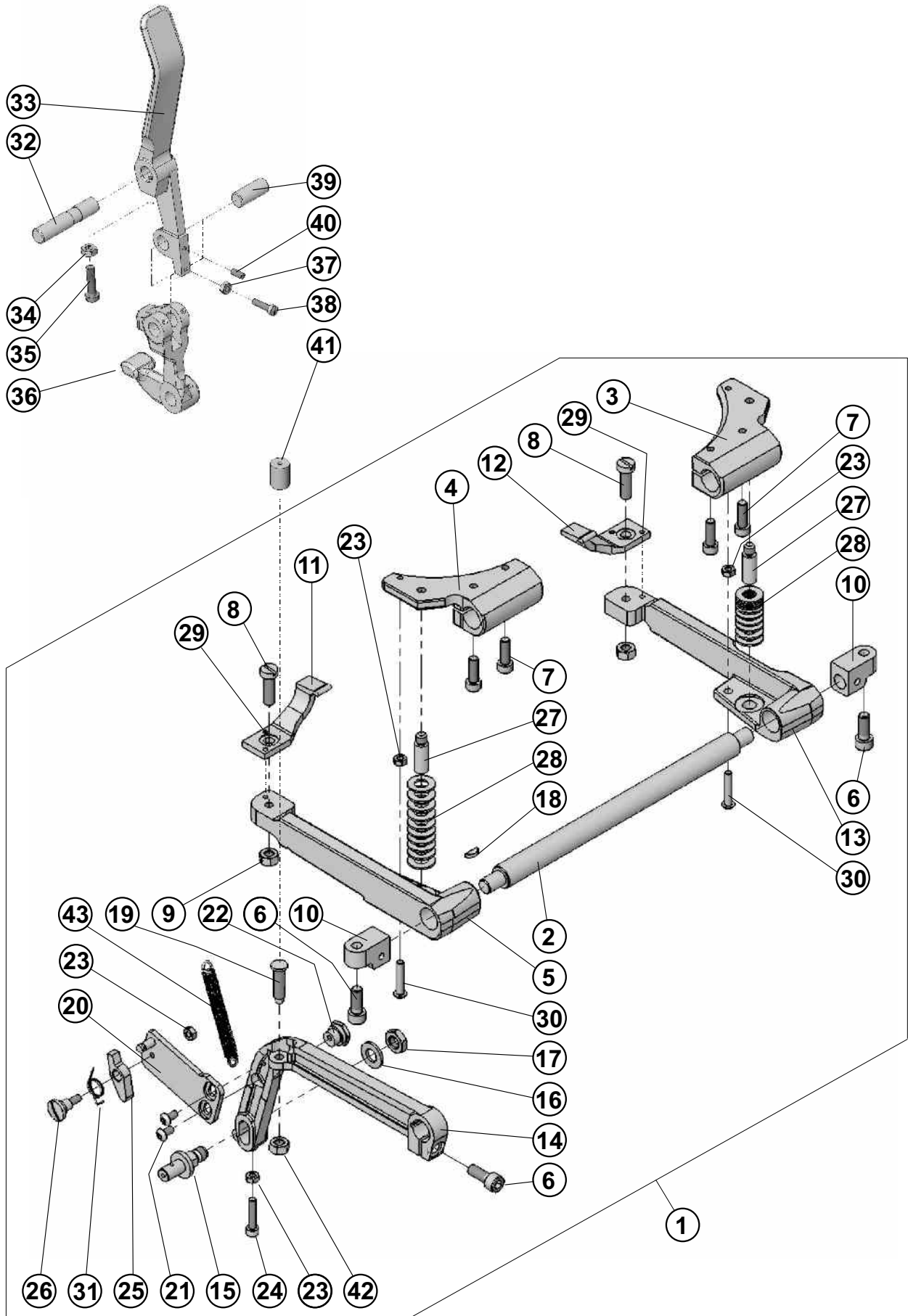
SPREADING



SPREADING

DET	PART NUMBER	DESCRIPTION	QTY.
01	11.2009.0.000	LATCH	2
02	10.2031.0.000	SLIDE - ADJUSTABLE	2
03	11.2008.0.000	STOP	2
04	01.4426.0.000	O - RING	2
05	11.2051.0.000	SCREW	2
06	08.6200.4.006	SCREW M4-6	4
07	17.0019.2.021	BUTTON	2
08	08.6400.8.416	SCREW M8x1-16	2
09	11.2006.0.000	STUD BEDPLATE	1
10	10.3033.0.017	BLOCK	1
11	11.2007.0.001	ROLL	1
12	11.2033.0.000	SLIDE CLAMP - LH	1
13	11.2034.0.000	SLIDE CLAMP - RH	1
14	11.2039.0.000	LINK REAR L.H.	1
15	11.2040.0.000	LINK REAR R.H.	1
16	19.0016.1.402	NUT	4
17	11.2037.0.000	STUD	2
18	17.0013.1.045	SCREW	4
19	17.0082.2.054	LEVER	2
20	17.0013.5.069	SCREW	2
21	01.5023.0.000	SPRING - EXTENSION	1

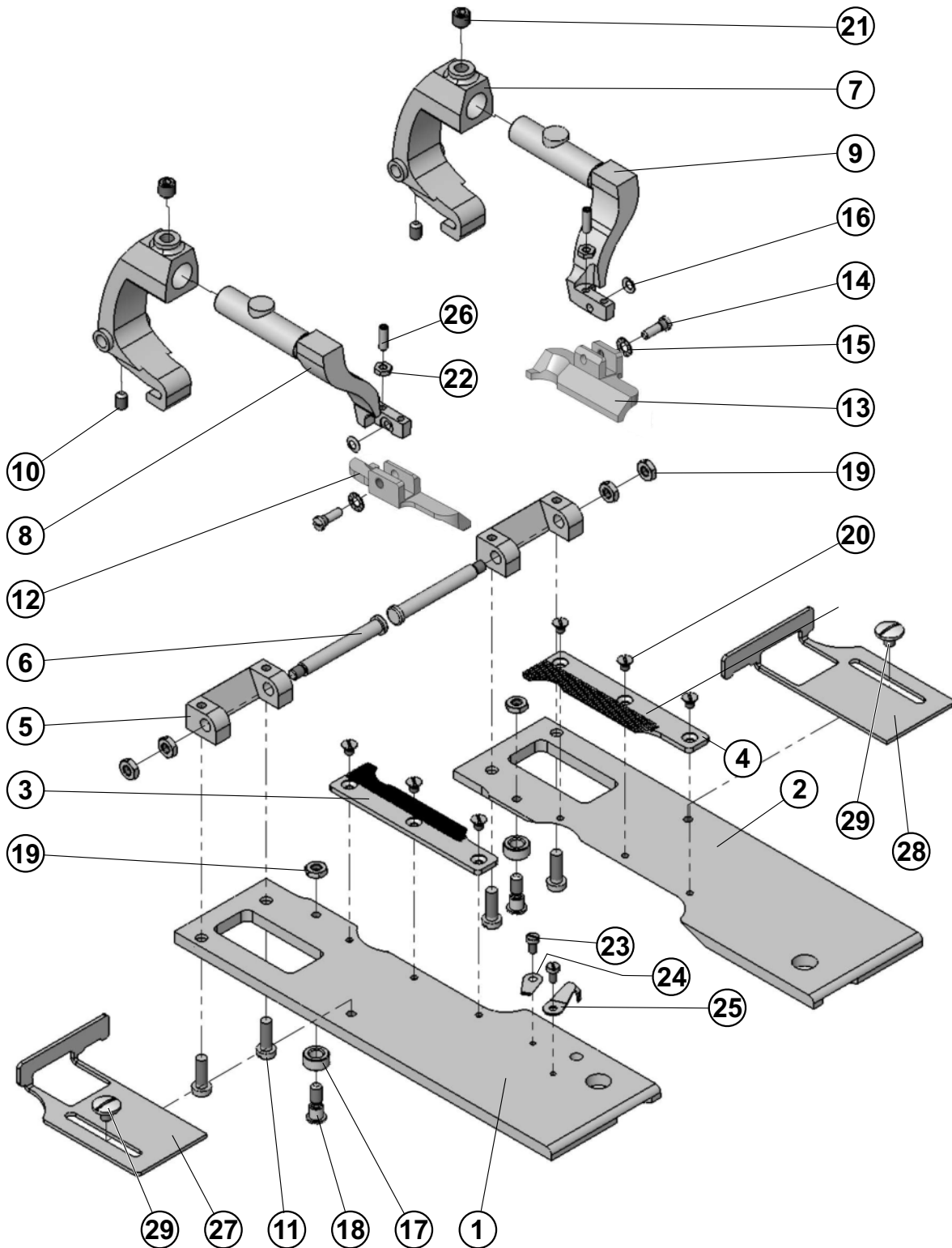
CLAMPING MECHANISM



CLAMPING MECHANISM

DET	PART NUMBER	DESCRIPTION	QTY.
01	11.2026.0.050	COMPENSATING CLAMP	1
02	17.0034.2.324	SHAFT	(1)
03	11.2026.0.002	CLAMP ARM TOGGLE,R.H.	(1)
04	11.2026.0.003	CLAMP ARM TOGGLE,L.H.	(1)
05	11.2026.0.005	CLAMP YOKE LH	(1)
06	08.6000.6.016	SCREW M6-16	(3)
07	08.6000.5.016	SCREW M5-16	(4)
08	17.0012.0.254	SCREW	(2)
09	08.6700.6.000	NUT M6	(3)
10	11.2025.0.000	BEARING	(2)
11	11.2028.0.000	L.H. PULL DOWN	(1)
12	11.2027.0.000	R.H. PULL DOWN	(1)
13	11.2026.0.006	CLAMP YOKE RH	(1)
14	11.2023.0.000	CLOSING LEVER	(1)
15	17.0033.3.133	STUD	(1)
16	08.6850.8.000	WASHER 8	(1)
17	08.6710.8.000	NUT M8	(1)
18	17.0021.1.050	KEY 2,5-3,7	(1)
19	11.2086.0.000	ADJUSTABLE SCREW	(1)
20	11.2074.0.000	BRECKET	(1)
21	08.6200.4.008	SCREW M4-8	(2)
22	11.2088.0.000	ECCENTRIC NUT	(1)
23	08.6700.4.000	NUT M4	(4)
24	08.6000.4.020	SCREW M4-20	(1)
25	10.2075.0.000	LATCH	(1)
26	11.2089.0.000	SCREW-SHOULDER	(1)
27	11.2024.0.000	PIN	(2)
28	01.4121.0.000	WASHER	(20)
29	12.1014.0.308	PIN 3-8	(2)
30	11.2087.0.000	SCREW M4-22	(2)
31	01.5475.0.000	SPRING - TORSION	(1)
32	17.0033.5.052	PLUG	1
33	17.0061.5.027	LEVER	1
34	08.6700.4.000	NUT M4	1
35	08.6010.4.016	SCREW M4-16	1
36	11.2021.0.000	LEVER - TOGGLE	1
37	08.6700.3.000	NUT M3	1
38	08.6010.3.012	SCREW M3-12	1
39	17.0031.4.030	STUD	1
40	08.6400.3.010	SCREW M3-10	1
41	13.2087.1.000	BUMPER	●●●
42	08.6700.6.300	NUT M6-0,75	(1)
43	01.5013.0.000	SPRONG EXTENSION	(1)

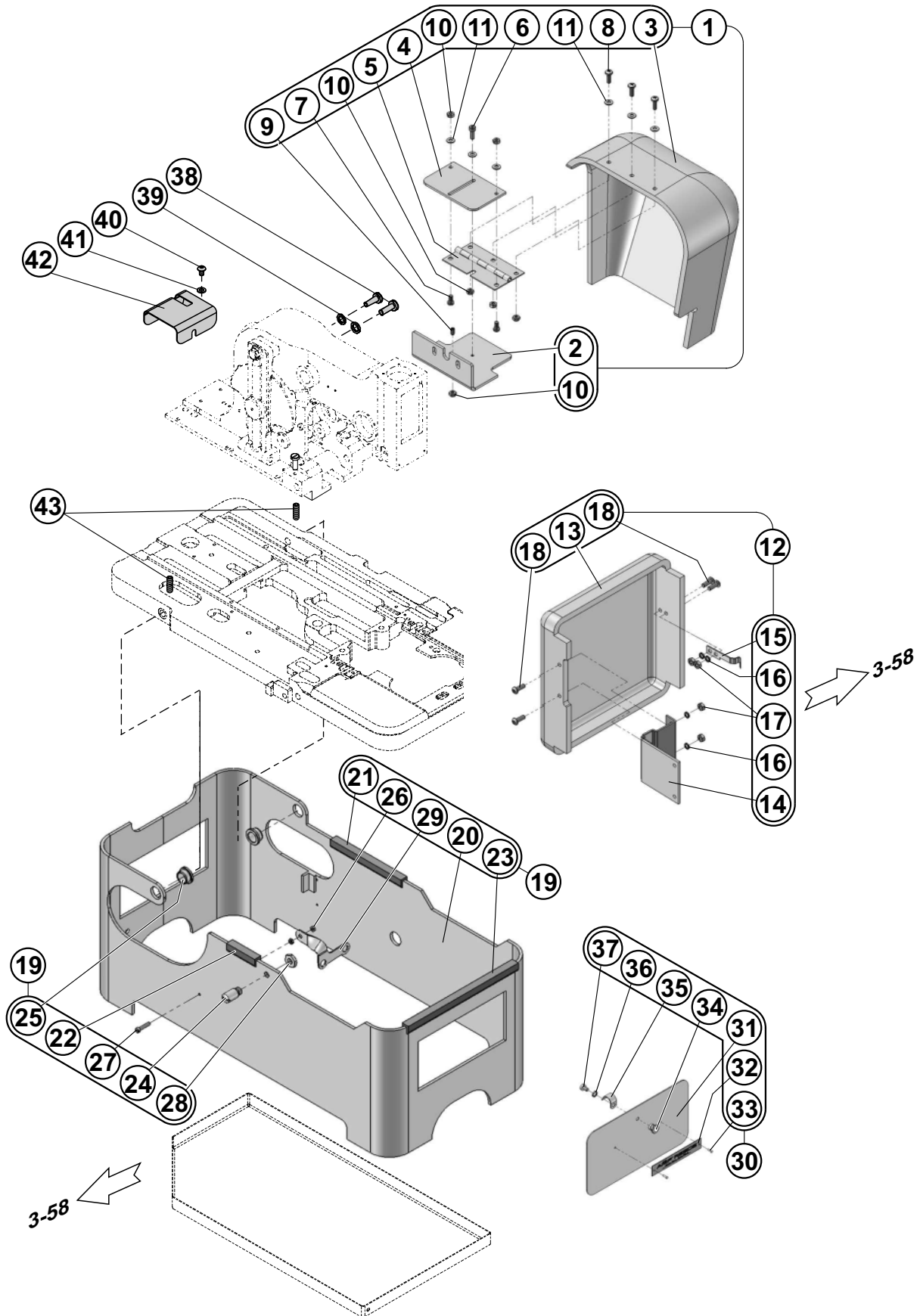
CLAMP PLATE ASSEMBLY



CLAMP PLATE ASSEMBLY

DET	PART NUMBER	DESCRIPTION	QTY.
01	11.2047.0.000	PLATE-CLAMP, L.H.	1
02	11.2043.0.000	PLATE-CLAMP, R.H.	1
03	11.2048.0.000	MAT CLAMP LH - 32	1
04	11.2044.0.000	MAT CLAMP RH - 32	1
05	11.2005.0.000	BLOCK	2
06	19.0032.8.401	SHAFT	2
07	11.2002.0.000	BASE CLAMP ARM	2
08	11.2004.0.000	ARM CLAMP L.H. SMALL	1
09	11.2003.0.000	ARM CLAMP R.H. SMALL	1
10	08.6400.4.006	SCREW M4-6	2
11	08.6010.4.012	SCREW M4-12	4
12	19.0066.7.421	CLAMP FOOT LEFT	1
13	19.0066.7.420	CLAMP FOOT RIGHT	1
14	17.0013.5.067	SCREW	2
15	17.0019.5.040	WASHER	2
16	17.0019.2.066	WASHER	2
17	17.0041.8.005	ROLL	2
18	17.0013.1.047	SCREW	2
19	08.6710.4.000	NUT M4	6
20	08.6112.3.004	SCREW M3-4	6
21	08.6400.6.006	SCREW M6-6	2
22	08.6710.3.000	NUT M3	2
23	17.0012.0.303	SCREW M2,5-5	2
24	17.0082.5.884	CLIPS	1
25	17.0087.0.169	KNIFE	1
26	08.6400.3.010	SCREW M3-10	2
27	14.2060.0.000	CLOTH GAUGE L.H.	1
28	14.2059.0.000	CLOTH GAUGE R.H.	1
29	17.0012.4.106	SCREW M4	2

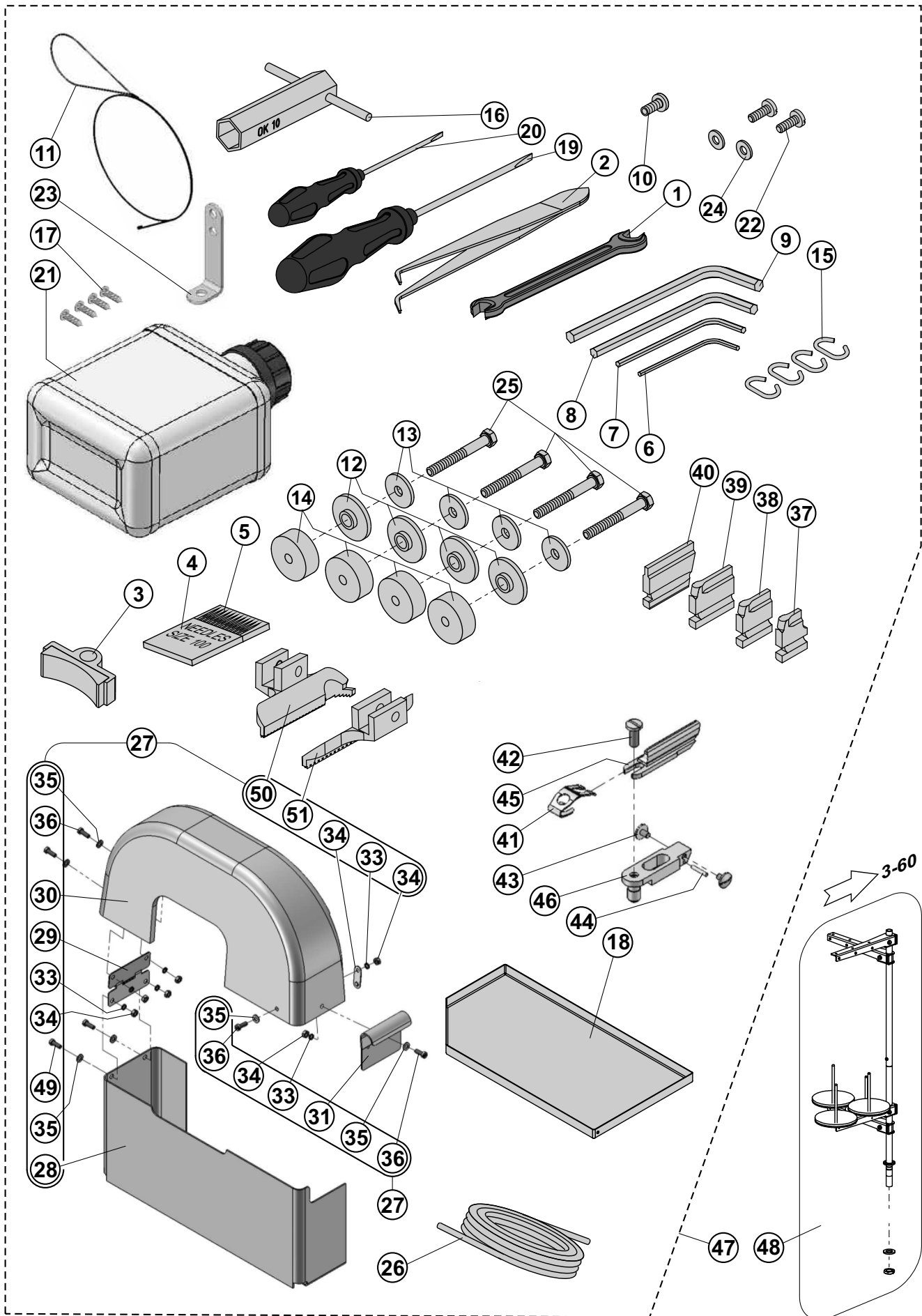
COVERS



COVERS

DET	PART NUMBER	DESCRIPTION	QTY.
01	11.1194.0.051	TOP COVER RH	1
02	11.1194.0.001	HINGE SUPPORT	(1)
03	11.1195.0.001	COVER-TOP RH ●●●	(1)
04	11.1196.0.001	PLATE	(1)
05	10.1194.1.008	HINGE - TOP COVER	(1)
06	08.6000.4.012	SCREW M4-12	(1)
07	08.6010.4.008	SCREW M4-8	(2)
08	08.6032.4.012	SCREW M4-12	(3)
09	08.6400.4.008	SCREW M4-8	(1)
10	08.6702.4.000	NUT M4	(6)
11	08.6852.4.000	WASHER M4	(6)
12	10.1194.0.024	TOP RIGHT COVER - ASSEMBLY	1
13	10.1194.0.003	COVER BOTTOM - R.H. ●●●	(1)
14	10.1194.1.012	HINGE ASSEMBLY-RH BOTTOM	(1)
15	10.1194.0.009	CLIP - COVER	(1)
16	08.6800.4.000	WASHER 4	(4)
17	08.6700.4.000	NUT M4	(4)
18	08.6202.4.010	SCREW M4-10	(4)
19	10.5001.3.051	CASE - ASSEMBLY	1
20	10.5001.2.000	STAND 101	(1)
21	05.1385.0.000	"U" CHANNEL EDGING 125 mm ●●●	(1)
22	05.1385.0.000	"U" CHANNEL EDGING 50 mm ●●●	(1)
23	05.1385.0.000	"U" CHANNEL EDGING 195 mm ●●●	(1)
24	10.2003.0.000	HINGE SCREW	(1)
25	11.5006.0.001	BUSHING ●●●	(2)
26	01.3001.0.000	HEX NUT	(2)
27	01.2888.0.402	SCREW	(1)
28	01.3014.0.000	HEX - NUT* 3/8-20	(1)
29	10.5002.0.000	THREAD GUIDE GIRDLE	(1)
30	10.0625.0.000	COVER FRONT	1
31	10.5005.1.900	COVER	(1)
32	12.8000.1.001	LABEL - AMF REECE	(1)
33	12.1016.0.002	NAIL 1.86-6.35 (1/4)	(2)
34	01.3040.0.000	KNOB	(1)
35	10.5006.1.000	CLIP	(1)
36	01.4019.0.000	SPRING WASHER	(1)
37	01.2050.0.000	SCREW-FULL THREADED	(1)
38	08.6032.5.010	SCREW	2
39	08.6852.5.000	WASHER	2
40	08.6200.5.006	SCREW	1
41	08.6852.5.000	WASHER	1
42	10.1170.0.000	STITCH FEED COVER	1
43	08.6400.4.014	SCREW	2

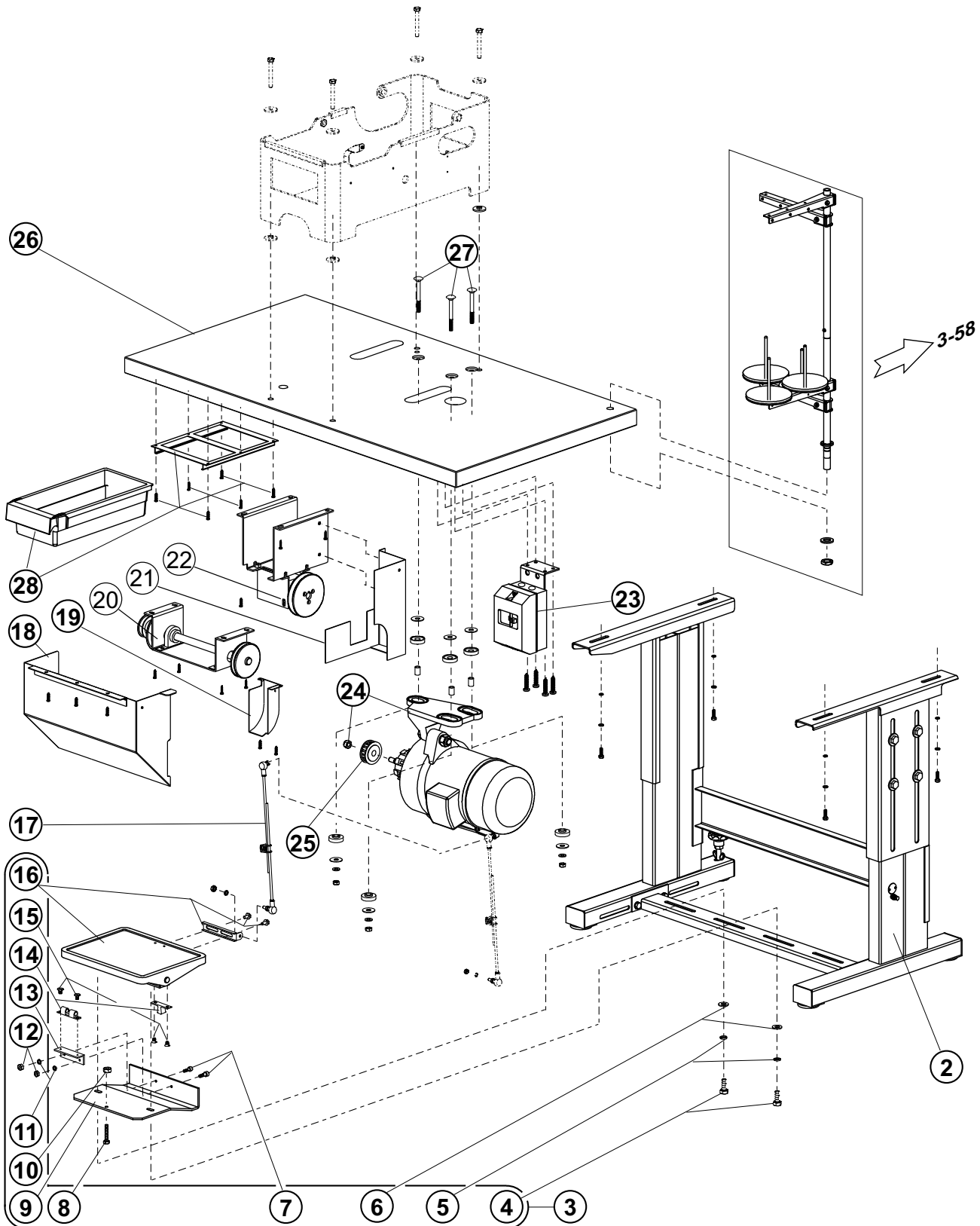
STANDARD ACCESSORIES



STANDARD ACCESSORIES

DET	PART NUMBER	DESCRIPTION	QTY.
01	12.0008.6.109	FORK SPANNER 8-10 TONA	(1)
02	12.0008.6.215	TWEEZERS PFAFF145	●●● (1)
03	17.0002.4.121	BREAKE-ASSEMBLY	●●● (1)
04	12.0008.6.968	NEEDLES BOX	●●● (1)
05	02.0501.0.111	NEEDLE 1807D-100	●●● (10)
06	12.0008.6.101	ALLEN WRENCH 3	(1)
07	12.0008.6.102	ALLEN WRENCH 4	(1)
08	12.0008.6.103	ALLEN WRENCH 5	(1)
09	12.0008.6.104	ALLEN WRENCH 6	(1)
10	08.6032.4.010	SCREW M4-10	(1)
11	17.0027.1.223	WIRE THREADING	●●● (1)
12	17.0095.1.272	RUBBER WASHER	●●● (4)
13	17.0019.0.441	WASHER	(4)
14	19.0095.1.405	RUBBER	●●● (4)
15	05.0376.0.015	HOOK BELT	(4)
16	12.0008.6.121	WRENCH OK10	(1)
17	01.2616.0.000	SCREW*PAN HD.WOOD "A"	(4)
18	10.5021.0.000	OIL PAN	●●● (1)
19	17.0003.8.035	SCREWDRIVER 6,5-125	●●● (1)
20	12.0008.6.001	SCREWDRIVER	●●● (1)
21	05.0090.1.000	OIL-8 OZ CAN-68	●●● (1)
22	01.2810.0.000	SCREW	(2)
23	05.0043.1.000	THREAD GUIDE	(1)
24	01.4406.0.000	WASHER-LOCK	(2)
25	08.6300.8.060	SCREW M8-60	(4)
26	04.0561.0.312	BELT-ROUND*5/16 LEATHER	●●● (1)
27	10.1194.0.025	COVER LH - ASSEMBLY	(1)
28	10.1194.2.006	COVER-BOTTOM	((1))
29	10.1194.0.010	HINGE - TOP COVER L.H.	((1))
30	10.1194.1.005	COVER - TOP LH	●●● ((1))
31	10.1194.0.028	HANDLE COVER ASSEMBLY	((1))
32	01.5123.0.000	SPRING-LATCH	((1))
33	08.6800.4.000	WASHER 4	((6))
34	08.6700.4.000	NUT M4	((6))
35	08.6852.4.000	WASHER M4	((6))
36	08.6012.4.012	SCREW M4-12	((4))
37	10.1069.0.001	CUTTING STEEL (1/2"-13Mmm)	(1)
38	10.1069.0.003	CUTTING STEEL (3/4-19mm)	(1)
39	10.1069.0.005	CUTTING STEEL (1-25mm)	(1)
40	10.1069.0.016	CUTTING STEEL (1 1/4-32mm)	(1)
41	10.3074.0.011	CLOTH LIFTER AF-CB	(1)
42	01.2039.0.000	SCREW - FILLISTER	(1)
43	01.2102.0.000	SCREW-FULL THREADED	(2)
44	01.6036.0.000	PIN-STRAIGHT	(1)
45	10.3072.0.023	KNIFE	(1)
46	10.3071.1.250	KNIFE, PAD	(1)
47	03.5510.0.001	ACCESSORIES S-101.M	1
48	17.0003.6.156	THREAD STAND	1
49	08.6012.4.010	SCREW M4-10	((2))
50	19.0066.7.426	CLAMP FOOT LEFT 33-1-426	(1)
51	19.0066.7.427	CLAMP FOOT RIGHT 36-1-427	(1)

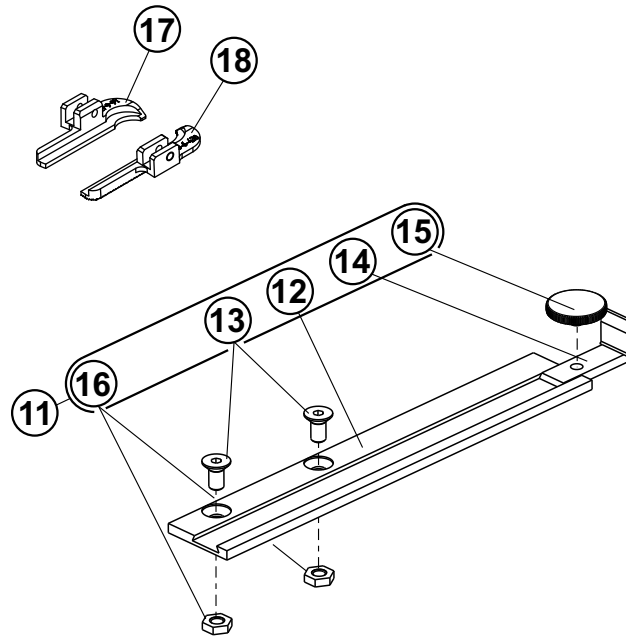
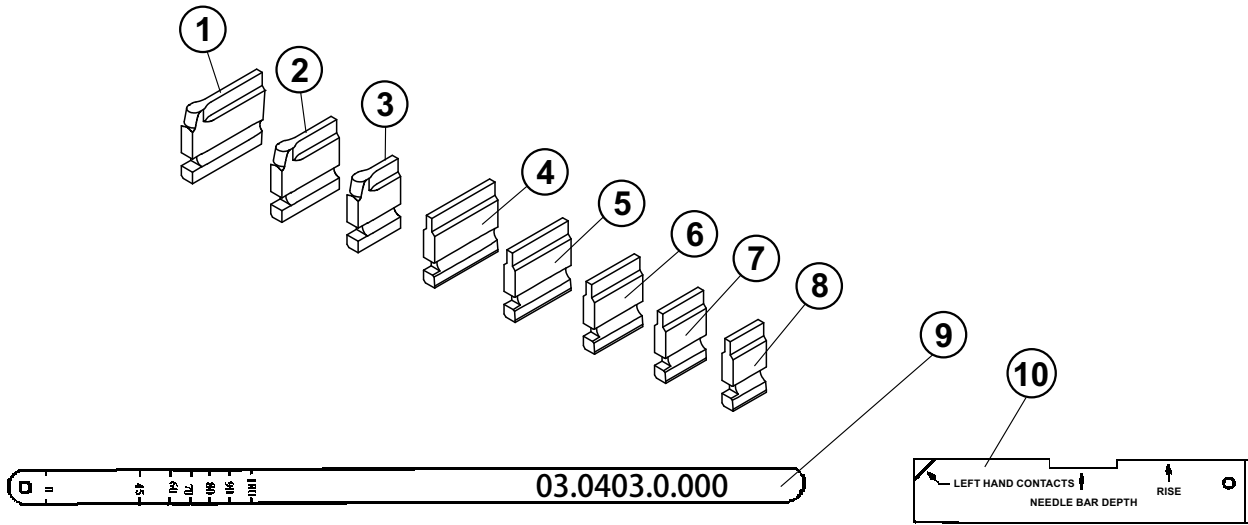
REGULAR TABLE



REGULAR TABLE

DET	PART NUMBER	DESCRIPTION	QTY.
01			1
02	04.9000.0.123	FRAME KIT ASS.	1
03	22.0218.0.000	FOOTSSWITCH ASSEMBLY	(2)
04	08.6312.8.020	SCRWE	(2)
05	08.6802.8.020	SPRING WASHER	(2)
06	08.6852.8.000	WASHER	(2)
07	08.6000.4.012	SCREW	(2)
08	08.6312.8.040	SCREW	(2)
09	22.0217.0.000	FOOT PEDAL HOLDER	(1)
10	08.6702.8.000	NUT	(1)
11	08.6800.4.000	SPRING WASHER	(2)
12	08.6700.4.000	NUT	(2)
13	22.0216.0.000	LATCH BRACKET	(1)
14	04.9000.0.802	TENSION LATCH	●● (1)
15	08.6100.4.006	SCREW	(4)
16	04.9002.0.000	FOOTSWITCH MODIFICATION	●●● (1)
17	04.1956.1.000	OPERATING ROD BALL JOINT ASSEMBLY	(1)
18	04.9000.2.457	COVER 2 CE	1
19	17.0083.1.656	COVER 1 CE	1
20	17.0002.4.403	JACKSHAFT ASSEMBLY	●●● 1
21	04.9000.1.475	COVER 3 CE	1
22	17.0002.4.404	AUXIALLIARY PATTERN	3
23	06.1000.0.101	MOTOR STARTER 1x110V/60Hz (12.0008.4.532)	●●● -
	06.1000.0.001	MOTOR STARTER 1x230V/50-60Hz (12.0008.4.533)	●●● -
	06.1000.0.201	MOTOR STARTER 3x230V/60Hz (12.0008.4.534)	●●● -
	06.1000.0.301	MOTOR STARTER 3x400V/50Hz (12.0008.4.535)	●●● -
24	17.0007.8.171	MOTOR FIR 110V /60Hz 1Ph	●●
	17.0007.8.172	MOTOR FIR 240V /60Hz 1Ph	●● -
	17.0007.8.173	MOTOR FIR 240-400V /50-60Hz 3Ph	●● -
25	17.0055.4.414	PULLEY	1
26	04.0026.2.000	TABLE	●●● 1
27	08.6532.8.070	SCREW	3
28	12.0008.6.901	DRAVER KIT	1

EXTRA PARTS



EXTRA PARTS

DET	PART NUMBER	DESCRIPTION	QTY.
01	10.1069.0.006	CUTTING STEEL 29	-
02	10.1069.0.004	CUTTING STEEL 22	-
03	10.1069.0.002	CUTTING STEEL 16	-
04	10.1069.0.013	CUTTING STEEL 22	-
05	10.1069.0.012	CUTTING STEEL 19	-
06	10.1069.0.011	CUTTING STEEL 16	-
07	10.1069.0.010	CUTTING STEEL 13	-
08	10.1069.0.014	CUTTING STEEL 26	-
09	03.0403.0.000	CLUCH GAUGE	-
10	03.0279.0.000	GAUGE	-
11	03.5511.0.003	KIT DISTANCE HOLES	-
12	19.0064.7.409	RULER	(1)
13	08.6100.4.008	SCREW	(2)
14	17.0082.4.549	HOLDER	(1)
15	19.0013.3.401	SCREW	(1)
16	08.6710.4.000	NUT	(2)
17	19.0066.7.431	CLAMP FOOT LEFT 46-6-431	1
18	19.0066.7.430	CLAMP FOOT RIGHT 46-6-430	1

INDEX

PART NUMBER	PAGE	DET	QTY	PART NUMBER	PAGE	DET	QTY	PART NUMBER	PAGE	DET	QTY
01.1100.0.000	3-3	22	1	01.5054.0.000	3-37	15	2	05.1389.0.000	3-3	14	1
01.1113.0.000	3-13	11	1	01.5055.0.000	3-31	27	1	06.1000.0.001	3-61	0	-
01.1130.0.000	3-41	24	(1)	01.5055.0.000	3-49	3	(1)	06.1000.0.101	3-61	23	-
01.1257.0.000	3-41	4	(1)	01.5055.0.051	3-31	9	1	06.1000.0.201	3-61	0	-
01.2002.0.000	3-25	20	(2)	01.5123.0.000	3-59	32	((1))	06.1000.0.301	3-61	0	-
01.2008.0.000	3-25	30	(4)	01.5134.0.000	3-35	26	1	07.0401.0.000	3-23	54	(1)
01.2037.0.000	3-25	25	(4)	01.5163.0.000	3-13	28	1	07.0401.0.009	3-19	14	1
01.2039.0.000	3-41	26	(1)	01.5167.0.000	3-9	24	(1)	08.6000.3.005	3-35	1	1
01.2039.0.000	3-59	42	(1)	01.5173.0.000	3-41	23	(1)	08.6000.3.006	3-13	21	1
01.2050.0.000	3-57	37	(1)	01.5433.0.000	3-35	27	1	08.6000.3.008	3-21	34	2
01.2056.1.000	3-21	37	1	01.5447.0.000	3-29	4	(1)	08.6000.3.008	3-35	23	(1)
01.2075.0.000	3-25	26	(4)	01.5448.0.000	3-29	12	(1)	08.6000.3.010	3-9	8	(1)+(2)
01.2102.0.000	3-41	22	(2)	01.5473.0.000	3-3	21	1	08.6000.4.005	3-21	36	1
01.2102.0.000	3-59	43	(2)	01.5473.0.000	3-47	26	1	08.6000.4.008	3-35	17	(1)
01.2193.0.000	3-9	25	(1)	01.5475.0.000	3-53	31	(1)	08.6000.4.008	3-37	11	2
01.2347.0.000	3-27	04	(2)	01.5603.0.000	3-13	29	1	08.6000.4.008	3-49	29	(1)
01.2616.0.000	3-59	17	(4)	01.5605.0.000	3-33	6	1	08.6000.4.010	3-3	15	4
01.2810.0.000	3-59	22	(2)	01.5606.0.000	3-5	13	1	08.6000.4.010	3-23	53	(1)
01.2888.0.402	3-57	27	(1)	01.5619.0.000	3-21	41	1	08.6000.4.010	3-31	15	2
01.3001.0.000	3-25	22	(3)	01.5620.0.000	3-21	40	1	08.6000.4.010	3-45	24	1
01.3001.0.000	3-57	26	(2)	01.5683.0.000	3-25	17	3	08.6000.4.012	3-47	18	2
01.3014.0.000	3-57	28	(1)	01.6036.0.000	3-41	21	(1)	08.6000.4.012	3-57	6	(1)
01.3040.0.000	3-57	34	(1)	01.6036.0.000	3-59	44	(1)	08.6000.4.012	3-61	7	(2)
01.4003.0.000	3-41	25	(1)	01.6280.0.000	3-45	14	(2)	08.6000.4.016	3-3	11	2
01.4007.0.000	3-25	16	2	01.6334.0.000	3-39	20	1	08.6000.4.016	3-13	26	2
01.4009.0.000	3-25	14	1	01.7630.0.001	3-15	5	(1)	08.6000.4.016	3-45	20	1
01.4019.0.000	3-57	36	(1)	01.7667.0.000	3-5	22	(2)	08.6000.4.020	3-53	24	(1)
01.4061.0.000	3-27	07	(2)	02.0501.0.111	3-9	23	1	08.6000.4.025	3-21	29	1
01.4074.0.000	3-13	5	1	02.0501.0.111	3-59	5	(10)	08.6000.4.040	3-31	11	(1)
01.4081.0.005	3-21	45	1	03.0279.0.000	3-63	10	-	08.6000.4.045	3-19	5	1
01.4081.0.009	3-9	6	(1)	03.0403.0.000	3-63	9	-	08.6000.4.060	3-41	6	(1)
01.4121.0.000	3-53	28	(20)	03.5510.0.001	3-59	47	1	08.6000.5.008	3-47	4	1
01.4406.0.000	3-59	24	(2)	03.5511.0.003	3-63	11	-	08.6000.5.010	3-45	21	3
01.4426.0.000	3-51	4	2	04.0026.2.000	3-61	26	1	08.6000.5.010	3-47	8	(1)
01.4751.0.000	3-15	4	(2)	04.0561.0.312	3-59	26	(1)	08.6000.5.012	3-5	28	1
01.5002.0.000	3-13	27	1	04.1956.1.000	3-61	17	(1)	08.6000.5.012	3-27	19	4
01.5003.0.000	3-9	27	(2)	04.9000.0.123	3-61	2	1	08.6000.5.012	3-29	14	(2)
01.5003.0.000	3-33	20	1	04.9000.0.802	3-61	14	(1)	08.6000.5.012	3-45	28	1
01.5003.0.000	3-47	25	1	04.9000.1.475	3-61	21	1	08.6000.5.016	3-25	38	(1)
01.5005.0.001	3-15	9	1	04.9000.2.457	3-61	18	1	08.6000.5.016	3-35	19	(1)
01.5006.0.001	3-41	32	1	04.9002.0.000	3-61	16	(1)	08.6000.5.016	3-53	7	(4)
01.5011.0.000	3-33	18	1	05.0043.1.000	3-13	17	1	08.6000.5.020	3-25	19	(1)
01.5013.0.000	3-53	43	(1)	05.0043.1.000	3-59	23	(1)	08.6000.5.020	3-29	7	(1)
01.5015.0.000	3-49	20	(1)	05.0090.1.000	3-59	21	(1)	08.6000.5.030	3-45	19	1
01.5018.0.000	3-25	33	(4)	05.0144.0.000	3-49	21	(1)	08.6000.5.050	3-27	13	1
01.5019.0.000	3-47	24	1	05.0376.0.015	3-59	15	(4)	08.6000.6.012	3-43	17	2
01.5020.0.000	3-47	23	1	05.0413.0.000	3-3	8	1	08.6000.6.016	3-11	14	(1)
01.5023.0.000	3-51	21	1	05.1105.0.000	3-19	8	2	08.6000.6.016	3-49	28	(1)
01.5026.0.000	3-21	48	2	05.1385.0.000	3-57	21	(1)	08.6000.6.016	3-53	6	(3)
01.5028.0.000	3-21	42	1	05.1385.0.000	3-57	22	(1)	08.6000.6.018	3-37	9	2
01.5041.0.000	3-35	9	1	05.1385.0.000	3-57	23	(1)	08.6000.6.020	3-33	17	1

INDEX

PART NUMBER	PAGE	DET	QTY	PART NUMBER	PAGE	DET	QTY	PART NUMBER	PAGE	DET	QTY
08.6000.8.016	3-39	14	1	08.6310.6.016	3-49	25	(2)	08.6700.6.300	3-53	42	(1)
08.6000.8.016	3-43	16	1	08.6312.8.020	3-61	4	(2)	08.6700.8.000	3-39	12	1
08.6000.8.020	3-39	18	(1)	08.6312.8.040	3-61	8	(2)	08.6702.4.000	3-57	10	(6)
08.6000.8.025	3-39	23	(1)	08.6400.3.005	3-9	10	(2)+1	08.6702.8.000	3-61	10	(1)
08.6000.8.025	3-43	15	(1)	08.6400.3.010	3-53	40	1	08.6707.1.000	3-37	14	4
08.6000.8.050	3-39	16	1	08.6400.3.010	3-55	26	2	08.6710.0.300	3-49	26	(1)
08.6000.8.055	3-3	7	4	08.6400.4.006	3-7	6	2	08.6710.3.000	3-55	22	2
08.6010.3.006	3-19	15	2	08.6400.4.006	3-17	26	1	08.6710.4.000	3-55	19	6
08.6010.3.006	3-21	12	4	08.6400.4.006	3-55	10	2	08.6710.4.000	3-63	16	(2)
08.6010.3.006	3-41	9	(3)	08.6400.4.008	3-17	11	1	08.6710.5.000	3-17	8	(2)
08.6010.3.012	3-53	38	1	08.6400.4.008	3-57	9	(1)	08.6710.5.000	3-29	8	(1)
08.6010.4.008	3-57	7	(2)	08.6400.4.014	3-57	43	2	08.6710.6.300	3-49	27	(1)
08.6010.4.012	3-5	6	(3)	08.6400.5.005	3-21	39	1	08.6710.8.000	3-33	7	2
08.6010.4.012	3-21	24	2	08.6400.5.005	3-29	11	(1)	08.6710.8.000	3-53	17	(1)
08.6010.4.012	3-55	11	4	08.6400.5.008	3-17	25	1	08.6710.8.400	3-17	23	1
08.6010.4.016	3-25	37	3	08.6400.5.008	3-33	19	1	08.6710.8.400	3-25	11	(1)
08.6010.4.016	3-53	35	1	08.6400.5.010	3-11	28	(1)	08.6710.8.400	3-27	16	2
08.6010.5.012	3-41	29	(2)	08.6400.5.010	3-41	12	2	08.6800.4.000	3-31	23	1
08.6010.5.012	3-45	25	1	08.6400.5.030	3-11	17	1	08.6800.4.000	3-57	16	(4)
08.6010.5.012	3-47	2	1	08.6400.5.040	3-35	24	1	08.6800.4.000	3-59	33	((6))
08.6012.4.010	3-59	49	((2))	08.6400.5.305	3-39	21	(2)	08.6800.4.000	3-61	11	(2)
08.6012.4.012	3-59	36	((4))	08.6400.6.006	3-55	21	2	08.6800.6.000	3-33	16	1
08.6032.4.010	3-3	3	1	08.6400.6.010	3-39	19	(2)	08.6800.8.000	3-3	24	3
08.6032.4.010	3-13	18	1	08.6400.6.050	3-49	24	(1)	08.6802.8.020	3-61	5	(2)
08.6032.4.010	3-59	10	(1)	08.6400.8.008	3-17	18	1	08.6832.4.000	3-3	13	2
08.6032.4.012	3-57	8	(3)	08.6400.8.416	3-27	15	2	08.6832.4.000	3-41	5	(1)
08.6032.5.010	3-57	38	2	08.6400.8.416	3-51	8	2	08.6832.8.000	3-27	23	2
08.6100.4.006	3-61	15	(4)	08.6522.4.006	3-3	9	1	08.6842.6.000	3-33	21	1
08.6100.4.008	3-63	13	(2)	08.6532.8.070	3-61	27	3	08.6850.0.000	3-39	10	2
08.6100.5.010	3-31	25	2	08.6700.3.000	3-13	15	1	08.6850.4.000	3-19	4	1
08.6100.6.050	3-5	10	1	08.6700.3.000	3-17	4	(1)	08.6850.4.000	3-49	6	(1)
08.6112.3.004	3-55	20	6	08.6700.3.000	3-35	7	1	08.6850.4.000	3-49	30	(1)
08.6200.4.006	3-11	16	1	08.6700.3.000	3-53	37	1	08.6850.5.000	3-11	15	1
08.6200.4.006	3-45	17	4	08.6700.4.000	3-31	12	(2)	08.6850.5.000	3-27	20	4
08.6200.4.006	3-51	6	4	08.6700.4.000	3-31	30	1	08.6850.5.000	3-45	22	3
08.6200.4.008	3-3	26	3	08.6700.4.000	3-35	12	1	08.6850.5.000	3-47	1	1
08.6200.4.008	3-9	21	4	08.6700.4.000	3-53	23	(4)	08.6850.6.000	3-11	23	1
08.6200.4.008	3-45	27	1	08.6700.4.000	3-53	34	1	08.6850.6.000	3-31	19	1
08.6200.4.008	3-49	5	(1)	08.6700.4.000	3-57	17	(4)	08.6850.6.000	3-37	8	2
08.6200.4.008	3-53	21	(2)	08.6700.4.000	3-59	34	((6))	08.6850.6.000	3-43	5	2
08.6200.5.006	3-57	40	1	08.6700.4.000	3-61	12	(2)	08.6850.6.000	3-49	22	(3)
08.6200.5.008	3-29	6	(1)	08.6700.5.000	3-27	12	1	08.6850.7.001	3-41	30	(1)
08.6200.5.010	3-9	29	2	08.6700.5.000	3-29	26	(1)	08.6850.8.000	3-3	23	1
08.6200.5.012	3-29	25	(1)	08.6700.5.000	3-31	18	1	08.6850.8.000	3-27	21	2
08.6200.5.012	3-45	18	1	08.6700.5.000	3-35	25	1	08.6850.8.000	3-43	14	1
08.6200.5.020	3-13	25	1	08.6700.6.000	3-31	24	2+(1)	08.6850.8.000	3-53	16	(1)
08.6200.6.016	3-43	2	2	08.6700.6.000	3-49	8	(1)	08.6852.4.000	3-57	11	(6)
08.6202.4.010	3-57	18	(4)	08.6700.6.000	3-49	23	(1)	08.6852.4.000	3-59	35	((6))
08.6300.8.020	3-27	18	2	08.6700.6.000	3-53	9	(3)	08.6852.5.000	3-57	39	2
08.6300.8.060	3-59	25	(4)	08.6700.6.300	3-17	22	1	08.6852.5.000	3-57	41	1
08.6310.3.012	3-13	23	1	08.6700.6.300	3-27	17	8	08.6852.8.000	3-61	6	(2)

INDEX

PART NUMBER	PAGE	DET	QTY	PART NUMBER	PAGE	DET	QTY	PART NUMBER	PAGE	DET	QTY
10.0625.0.000	3-57	30	1	10.2031.0.000	3-51	2	2	11.1035.0.000	3-11	5	1
10.1003.0.000	3-13	13	1	10.2071.0.000	3-47	17	1	11.1037.0.000	3-11	11	1
10.1004.0.000	3-13	12	1	10.2072.0.000	3-47	3	1	11.1038.0.000	3-11	2	1
10.1008.0.000	3-13	20	1	10.2075.0.000	3-53	25	(1)	11.1039.0.000	3-11	4	1
10.1009.0.000	3-13	19	1	10.2257.0.000	3-47	19	1	11.1040.0.000	3-11	12	1
10.1010.0.000	3-13	6	1	10.2258.0.000	3-47	21	1	11.1041.0.000	3-11	1	1
10.1014.1.000	3-9	18	1	10.2259.0.000	3-47	20	1	11.1043.0.000	3-11	7	1
10.1021.2.000	3-9	11	(2)	10.2260.0.200	3-47	5	1	11.1044.0.000	3-13	24	1
10.1029.1.000	3-9	17	(2)	10.2264.0.000	3-45	4	2	11.1047.0.000	3-7	1	1
10.1030.0.017	3-9	32	(1)	10.3033.0.017	3-51	10	1	11.1051.0.000	3-15	2	(1)
10.1032.0.000	3-9	3	(1)	10.3048.0.000	3-25	21	(1)	11.1051.0.050	3-15	1	1
10.1062.0.000	3-17	19	1	10.3049.0.000	3-25	15	1	11.1052.0.000	3-15	3	(1)
10.1069.0.001	3-59	37	(1)	10.3050.0.000	3-25	13	1	11.1054.0.000	3-15	7	1
10.1069.0.002	3-63	3	-	10.3051.0.000	3-25	12	1	11.1058.0.050	3-17	10	1
10.1069.0.003	3-59	38	(1)	10.3052.0.000	3-25	32	(4)	11.1059.0.000	3-17	9	2
10.1069.0.004	3-63	2	-	10.3053.1.000	3-25	31	(1)	11.1060.0.050	3-17	12	1
10.1069.0.005	3-59	39	(1)	10.3054.2.000	3-25	24	(1)	11.1061.0.000	3-17	3	(1)
10.1069.0.006	3-63	1	-	10.3061.0.300	3-27	5	(2)	11.1063.0.000	3-17	14	1
10.1069.0.007	3-41	14	1	10.3062.1.000	3-27	03	(1)	11.1064.0.000	3-17	16	1
10.1069.0.010	3-63	7	-	10.3064.0.830	3-27	01	1	11.1066.0.000	3-17	15	1
10.1069.0.011	3-63	6	-	10.3067.4.254	3-41	18	(1)	11.1067.0.000	3-17	13	1
10.1069.0.012	3-63	5	-	10.3071.1.250	3-41	19	(1)	11.1068.0.051	3-41	2	(1)
10.1069.0.013	3-63	4	-	10.3071.1.250	3-59	46	(1)	11.1068.0.851	3-41	1	1
10.1069.0.014	3-63	8	-	10.3072.0.023	3-59	45	(1)	11.1070.0.001	3-9	12	(1)
10.1069.0.016	3-59	40	(1)	10.3072.0.024	3-41	15	1	11.1071.0.000	3-41	11	(1)
10.1077.0.000	3-13	8	1	10.3074.0.011	3-41	20	(1)	11.1072.0.000	3-41	7	(1)
10.1078.1.000	3-13	9	1	10.3074.0.011	3-59	41	(1)	11.1074.0.001	3-41	13	2
10.1080.0.000	3-3	17	1	10.3080.0.000	3-25	27	(2)	11.1075.0.000	3-39	4	1
10.1083.0.000	3-13	7	1	10.3082.0.000	3-25	29	(2)	11.1082.0.000	3-3	6	1
10.1090.0.000	3-5	7	(1)	10.3089.2.000	3-35	21	1	11.1092.0.000	3-5	23	1
10.1091.0.802	3-7	7	1	10.3250.1.000	3-37	7	2	11.1098.1.050	3-33	1	1
10.1091.1.803	3-5	24	1	10.3258.0.000	3-37	10	1	11.1099.0.000	3-33	15	1
10.1145.2.000	3-3	12	1	10.3607.1.000	3-3	25	1	11.1103.0.300	3-33	11	1
10.1163.0.000	3-41	3	(1)	10.4006.0.000	3-21	5	1	11.1108.0.000	3-29	15	1
10.1170.0.000	3-57	42	1	10.4007.0.000	3-21	2	1	11.1109.0.001	3-29	21	1
10.1180.0.000	3-3	19	1	10.4010.2.000	3-21	14	1	11.1111.0.000	3-29	16	1
10.1181.0.000	3-3	20	1	10.4012.2.004	3-21	25	1	11.1113.0.000	3-31	1	1
10.1194.0.003	3-57	13	(1)	10.4030.0.000	3-13	14	1	11.1118.0.000	3-31	4	1
10.1194.0.009	3-57	15	(1)	10.4035.0.000	3-21	35	1	11.1120.0.000	3-31	8	1
10.1194.0.010	3-59	29	((1))	10.5001.2.000	3-57	20	(1)	11.1122.0.010	3-7	3	1
10.1194.0.024	3-57	12	1	10.5001.3.051	3-57	19	1	11.1122.0.979	3-7	0	0
10.1194.0.025	3-59	27	(1)	10.5002.0.000	3-57	29	(1)	11.1122.0.980	3-7	0	0
10.1194.0.028	3-59	31	((1))	10.5005.1.900	3-57	31	(1)	11.1122.0.980	3-17	24	1
10.1194.1.005	3-59	30	((1))	10.5006.1.000	3-57	35	(1)	11.1122.0.998	3-7	0	0
10.1194.1.008	3-57	5	(1)	10.5021.0.000	3-59	18	(1)	11.1122.0.999	3-7	0	0
10.1194.1.012	3-57	14	(1)	11.1001.0.000	3-3	4	1	11.1124.0.000	3-31	3	1
10.1194.2.006	3-59	28	((1))	11.1023.0.000	3-9	4	(1)	11.1158.0.000	3-13	3	1
10.2003.0.000	3-57	24	(1)	11.1026.0.000	3-17	17	1	11.1159.0.000	3-13	1	1
10.2004.1.000	3-47	28	1	11.1028.0.054	3-9	1	1	11.1160.0.000	3-39	5	1
10.2005.0.000	3-47	27	1	11.1030.0.000	3-19	9	1	11.1167.0.000	3-29	2	(1)
10.2015.0.000	3-47	11	1	11.1031.0.000	3-19	10	1	11.1167.0.050	3-29	1	1

INDEX

PART NUMBER	PAGE	DET	QTY	PART NUMBER	PAGE	DET	QTY	PART NUMBER	PAGE	DET	QTY
11.1168.0.000	3-29	5	(1)	11.2069.0.901	3-45	13	(1)	11.3083.0.000	3-29	24	1
11.1169.0.000	3-29	3	(1)	11.2069.0.902	3-45	12	(1)	11.3085.0.000	3-35	10	1
11.1171.0.000	3-29	20	2	11.2070.0.000	3-47	16	1	11.3087.0.000	3-35	18	1
11.1175.0.000	3-13	22	1	11.2073.0.000	3-47	7	1	11.3088.0.000	3-35	22	1
11.1177.0.000	3-13	2	1	11.2074.0.000	3-53	20	(1)	11.3094.0.000	3-49	16	(1)
11.1178.0.000	3-13	4	1	11.2086.0.000	3-53	19	(1)	11.3110.0.000	3-25	2	1
11.1184.0.000	3-29	10	(1)	11.2087.0.000	3-53	30	(2)	11.3123.0.001	3-25	6	1
11.1188.0.000	3-3	5	1	11.2088.0.000	3-53	22	(1)	11.3131.0.000	3-49	17	(1)
11.1194.0.001	3-57	2	(1)	11.2089.0.000	3-53	26	(1)	11.3205.0.000	3-35	13	1
11.1194.0.051	3-57	1	1	11.2090.0.000	3-47	13	1	11.3206.0.000	3-35	11	1
11.1195.0.001	3-57	3	(1)	11.2251.0.000	3-45	16	1	11.3251.0.000	3-37	5	1
11.1196.0.001	3-57	4	(1)	11.2254.0.000	3-45	23	2	11.3252.0.000	3-37	6	2
11.1198.0.000	3-35	2	1	11.2255.0.000	3-45	2	1	11.3253.0.000	3-37	4	1
11.2001.0.001	3-45	1	1	11.2256.0.000	3-45	3	1	11.3254.0.000	3-37	3	1
11.2002.0.000	3-55	7	2	11.2262.0.000	3-45	15	1	11.3255.0.000	3-37	1	1
11.2003.0.000	3-55	9	1	11.2263.0.000	3-45	5	1	11.3259.0.001	3-37	12	1
11.2004.0.000	3-55	8	1	11.2263.0.901	3-45	6	(1)	11.3259.0.002	3-37	13	1
11.2005.0.000	3-55	5	2	11.3001.0.004	3-3	1	1	11.3300.0.000	3-43	10	1
11.2006.0.000	3-51	9	1	11.3004.0.000	3-17	2	(1)	11.3301.0.000	3-43	8	2
11.2007.0.001	3-51	11	1	11.3004.0.050	3-17	1	1	11.3302.0.000	3-43	9	1
11.2008.0.000	3-45	26	1	11.3006.0.000	3-17	6	(1)	11.3303.0.000	3-43	1	1
11.2008.0.000	3-51	3	2	11.3006.0.050	3-17	5	1	11.4001.0.050	3-21	1	1
11.2009.0.000	3-51	1	2	11.3009.0.000	3-39	1	1	11.4002.0.001	3-21	11	(1)
11.2012.0.000	3-47	6	1	11.3015.0.000	3-39	2	1	11.4002.0.051	3-21	8	1
11.2013.0.000	3-47	10	1	11.3016.0.000	3-39	9	1	11.4011.0.000	3-21	10	(1)
11.2016.0.000	3-45	9	1	11.3017.0.000	3-39	15	1	11.4020.0.000	3-21	31	1
11.2018.0.000	3-45	7	1	11.3017.0.000	3-43	3	1	11.4201.0.000	3-21	9	(1)
11.2021.0.000	3-53	36	1	11.3018.0.001	3-39	13	1	11.4202.0.000	3-35	3	1
11.2023.0.000	3-53	14	(1)	11.3019.0.000	3-43	7	1	11.5006.0.001	3-57	25	(2)
11.2024.0.000	3-53	27	(2)	11.3021.0.001	3-43	13	1	11.5019.0.000	3-35	15	1
11.2025.0.000	3-53	10	(2)	11.3021.0.002	3-43	11	1	12.0008.6.001	3-59	20	(1)
11.2026.0.002	3-53	3	(1)	11.3021.0.003	3-43	12	1	12.0008.6.101	3-59	6	(1)
11.2026.0.003	3-53	4	(1)	11.3022.0.000	3-49	13	(1)	12.0008.6.102	3-59	7	(1)
11.2026.0.005	3-53	5	(1)	11.3022.0.051	3-49	12	1	12.0008.6.103	3-59	8	(1)
11.2026.0.006	3-53	13	(1)	11.3023.0.000	3-49	14	(1)	12.0008.6.104	3-59	9	(1)
11.2026.0.050	3-53	1	1	11.3025.0.000	3-49	15	(1)	12.0008.6.109	3-59	1	(1)
11.2027.0.000	3-53	12	(1)	11.3027.0.001	3-27	08	1	12.0008.6.121	3-59	16	(1)
11.2028.0.000	3-53	11	(1)	11.3029.0.000	3-49	2	(1)	12.0008.6.215	3-59	2	(1)
11.2033.0.000	3-51	12	1	11.3029.0.050	3-49	1	1	12.0008.6.901	3-61	28	1
11.2034.0.000	3-51	13	1	11.3034.0.000	3-43	4	1	12.0008.6.968	3-59	4	(1)
11.2037.0.000	3-51	17	2	11.3035.0.000	3-27	11	2	12.1010.0.206	3-11	13	1
11.2039.0.000	3-51	14	1	11.3039.0.051	3-25	40	1	12.1010.0.208	3-25	3	1
11.2040.0.000	3-51	15	1	11.3044.0.001	3-25	36	1	12.1010.0.308	3-35	14	1
11.2043.0.000	3-55	2	1	11.3046.0.000	3-25	39	1	12.1010.0.312	3-35	20	1
11.2044.0.000	3-55	4	1	11.3047.0.051	3-25	23	(1)	12.1010.0.314	3-3	16	1
11.2047.0.000	3-55	1	1	11.3047.0.851	3-25	41	1	12.1010.0.314	3-11	22	1
11.2048.0.000	3-55	3	1	11.3066.0.000	3-27	09	4	12.1010.0.412	3-11	20	1
11.2051.0.000	3-51	5	2	11.3070.0.001	3-41	17	(1)	12.1010.0.516	3-27	06	1+(1)
11.2061.0.000	3-45	8	1	11.3070.0.051	3-41	16	1	12.1011.0.425	3-37	16	1
11.2069.0.000	3-45	11	(1)	11.3079.0.000	3-25	28	(1)	12.1014.0.004	3-5	11	(1)
11.2069.0.050	3-45	10	1	11.3081.0.000	3-29	22	1	12.1014.0.007	3-31	5	(1)

INDEX

PART NUMBER	PAGE	DET	QTY	PART NUMBER	PAGE	DET	QTY	PART NUMBER	PAGE	DET	QTY
12.1014.0.308	3-53	29	(2)	17.0004.4.829	3-21	20	2	17.0017.1.016	3-21	26	1
12.1016.0.002	3-3	18	2	17.0004.7.242	3-19	6	1	17.0017.2.049	3-11	18	1
12.1016.0.002	3-3	27	1	17.0004.7.253	3-5	8	(1)	17.0017.4.075	3-5	20	(1)
12.1016.0.002	3-11	27	1	17.0007.8.171	3-61	24	0	17.0019.0.228	3-21	18	2
12.1016.0.002	3-57	33	(2)	17.0007.8.172	3-61	0	-	17.0019.0.230	3-29	19	2
12.1045.1.001	3-5	29	1	17.0007.8.173	3-61	0	-	17.0019.0.398	3-23	51	2
12.1045.0.004	3-29	13	(1)	17.0011.1.148	3-47	22	1	17.0019.0.441	3-33	5	2
12.1045.1.010	3-25	1	1	17.0011.1.149	3-29	17	2	17.0019.0.441	3-59	13	(4)
12.2010.0.011	3-11	21	1	17.0011.2.013	3-25	7	1	17.0019.0.610	3-25	35	1
12.2099.1.006	3-25	4	1	17.0011.2.063	3-25	8	2	17.0019.0.662	3-11	24	1
12.4021.0.312	3-19	12	1	17.0011.3.022	3-31	7	(1)	17.0019.1.062	3-9	26	(2)
12.8000.0.409	3-41	31	(1)	17.0011.8.041	3-21	28	1	17.0019.1.088	3-21	21	2
12.8000.1.001	3-57	32	(1)	17.0012.0.232	3-41	27	(1)	17.0019.2.021	3-27	14	2
13.1100.0.000	3-33	13	1	17.0012.0.254	3-53	8	(2)	17.0019.2.021	3-51	7	2
13.1104.1.000	3-5	16	(1)	17.0012.0.303	3-55	23	2	17.0019.2.066	3-55	16	2
13.2087.1.000	3-53	41	1	17.0012.0.404	3-21	13	2	17.0019.5.040	3-55	15	2
13.3083.0.000	3-3	10	1	17.0012.0.688	3-35	6	1	17.0019.5.047	3-5	17	(1)
14.1015.0.000	3-19	7	1	17.0012.1.140	3-21	15	2	17.0019.5.048	3-5	21	(1)
14.1016.3.000	3-9	16	(1)	17.0012.1.142	3-21	19	2	17.0021.0.021	3-5	12	1
14.1016.3.050	3-9	13	1	17.0012.1.148	3-49	9	(1)	17.0021.1.045	3-5	25	1
14.1017.3.000	3-9	14	(1)	17.0012.1.169	3-11	3	(1)	17.0021.1.050	3-53	18	(1)
14.1022.3.000	3-9	19	(2)	17.0012.2.400	3-21	38	1	17.0026.0.213	3-25	5	1
14.1025.3.000	3-9	20	(2)	17.0012.4.011	3-31	17	1	17.0026.1.082	3-41	8	(1)
14.1027.3.050	3-9	9	2	17.0012.4.042	3-35	8	1	17.0026.3.126	3-31	29	1
14.1028.0.000	3-9	2	(1)	17.0012.4.106	3-55	29	2	17.0026.4.035	3-21	43	1
14.1029.0.000	3-19	11	1	17.0012.6.096	3-33	12	1	17.0026.4.036	3-31	28	1
14.1042.0.000	3-9	15	(1)	17.0013.1.045	3-51	18	4	17.0027.1.223	3-59	11	(1)
14.1089.0.000	3-5	4	1	17.0013.1.047	3-55	18	2	17.0027.1.419	3-9	30	1
14.1099.0.000	3-31	10	(1)	17.0013.1.177	3-13	10	1	17.0027.1.799	3-49	10	(1)
14.1154.0.000	3-5	2	(1)	17.0013.1.413	3-33	4	1	17.0027.4.045	3-21	50	1
14.1155.2.000	3-5	3	(1)	17.0013.1.417	3-31	20	1	17.0027.4.085	3-37	2	1
14.1197.1.000	3-35	4	1	17.0013.1.418	3-31	22	1	17.0031.0.406	3-21	47	1
14.1250.0.000	3-9	28	2	17.0013.1.419	3-31	16	1	17.0031.0.425	3-5	18	(2)
14.2059.0.000	3-55	28	1	17.0013.2.086	3-15	8	1	17.0031.1.089	3-15	10	1
14.2060.0.000	3-55	27	1	17.0013.2.090	3-43	6	1	17.0031.4.030	3-53	39	1
14.3064.0.001	3-27	02	(1)	17.0013.5.067	3-55	14	2	17.0033.1.010	3-47	9	1
14.4004.0.000	3-21	7	1	17.0013.5.069	3-51	20	2	17.0033.1.011	3-17	21	1
14.4005.0.030	3-21	6	1	17.0013.6.081	3-35	5	1	17.0033.1.011	3-49	19	(1)
14.4008.1.000	3-21	4	1	17.0014.1.015	3-29	23	2	17.0033.1.109	3-11	9	1
14.4009.1.000	3-21	3	1	17.0014.1.068	3-29	18	1	17.0033.1.153	3-39	17	1
14.4023.3.050	3-9	7	1	17.0014.1.133	3-39	22	(2)	17.0033.2.030	3-47	15	1
14.5034.0.000	3-31	13	(1)	17.0014.1.205	3-31	2	(1)	17.0033.3.053	3-31	14	1
15.4405.0.400	3-11	10	1	17.0014.3.011	3-49	18	(1)	17.0033.3.131	3-17	7	(2)
17.0002.4.121	3-33	3	1	17.0014.4.001	3-31	21	1	17.0033.3.132	3-39	7	1
17.0002.4.121	3-59	3	(1)	17.0016.1.054	3-15	6	(1)	17.0033.3.133	3-53	15	(1)
17.0002.4.277	3-5	14	1	17.0016.1.093	3-21	46	1	17.0033.3.134	3-49	11	(1)
17.0002.4.403	3-61	20	1	17.0016.1.118	3-11	26	1	17.0033.5.052	3-53	32	1
17.0002.4.404	3-61	22	3	17.0016.1.141	3-47	12	1	17.0033.5.113	3-25	9	(1)
17.0002.7.589	3-27	10	1	17.0016.1.191	3-11	25	2	17.0034.2.324	3-53	2	(1)
17.0003.6.156	3-59	48	1	17.0016.1.308	3-5	9	1	17.0041.1.094	3-21	16	4
17.0003.8.035	3-59	19	(1)	17.0016.3.400	3-33	10	1	17.0041.8.005	3-55	17	2

INDEX

PART NUMBER	PAGE	DET	QTY	PART NUMBER	PAGE	DET	QTY	PART NUMBER	PAGE	DET	QTY
17.0041.8.008	3-29	9	(1)	19.0032.8.401	3-55	6	2				
17.0041.8.008	3-31	6	1	19.0034.6.402	3-21	32	2				
17.0041.8.400	3-33	9	1	19.0041.0.686	3-9	31	1				
17.0043.6.018	3-39	11	1	19.0041.2.404	3-21	49	1				
17.0043.6.280	3-5	27	1	19.0041.2.412	3-7	2	1				
17.0044.5.114	3-25	18	1	19.0041.6.402	3-7	5	1				
17.0045.1.099	3-11	8	1	19.0043.6.441	3-23	52	1				
17.0051.0.066	3-5	5	1	19.0045.3.402	3-9	5	2				
17.0052.0.315	3-25	10	(1)	19.0063.1.073	3-21	17	1				
17.0052.0.426	3-5	15	(1)	19.0063.4.400	3-11	6	(1)				
17.0055.1.158	3-21	44	1	19.0064.7.409	3-63	12	(1)				
17.0055.3.025	3-39	3	1	19.0066.7.420	3-55	13	1				
17.0055.4.414	3-61	25	1	19.0066.7.421	3-55	12	1				
17.0061.2.415	3-33	8	1	19.0066.7.426	3-59	50	(1)				
17.0061.5.027	3-53	33	1	19.0066.7.427	3-59	51	(1)				
17.0062.5.015	3-47	14	1	19.0066.7.430	3-63	18	1				
17.0062.5.144	3-49	7	(1)	19.0066.7.431	3-63	17	1				
17.0062.5.179	3-33	2	1	19.0067.2.415	3-11	19	1				
17.0063.6.044	3-39	8	1	19.0095.1.405	3-59	14	(4)				
17.0063.6.308	3-39	6	1	22.0104.0.000	3-19	2	1				
17.0064.5.174	3-31	26	1	22.0208.0.000	3-41	28	(1)				
17.0064.6.117	3-21	23	1	22.0216.0.000	3-61	13	(1)				
17.0064.7.162	3-21	30	1	22.0217.0.000	3-61	9	(1)				
17.0067.2.186	3-5	19	(1)	22.0218.0.000	3-61	3	(2)				
17.0067.2.411	3-5	26	1	22.0229.0.000	3-19	3	1				
17.0074.4.405	3-21	22	1								
17.0081.5.082	3-21	33	1								
17.0082.2.054	3-51	19	2								
17.0082.4.549	3-63	14	(1)								
17.0082.5.108	3-41	10	(1)								
17.0082.5.884	3-55	24	1								
17.0082.6.000	3-19	13	2								
17.0082.8.084	3-21	27	2								
17.0083.1.656	3-61	19	1								
17.0087.0.169	3-55	25	1								
17.0094.1.143	3-25	34	1								
17.0094.3.142	3-25	42	1								
17.0094.5.309	3-49	4	(1)								
17.0095.1.272	3-59	12	(4)								
17.0095.1.329	3-19	1	1								
17.1088.1.050	3-5	1	1								
17.1099.0.000	3-33	14	1								
18.0002.9.004	3-3	2	1								
18.0011.2.400	3-9	22	(2)								
18.0026.0.601	3-27	22	1								
18.0043.6.284	3-35	16	1								
19.0011.1.402	3-13	16	1								
19.0013.3.401	3-63	15	(1)								
19.0016.1.402	3-51	16	4								
19.0032.6.400	3-7	4	1								
19.0032.6.401	3-17	20	1								