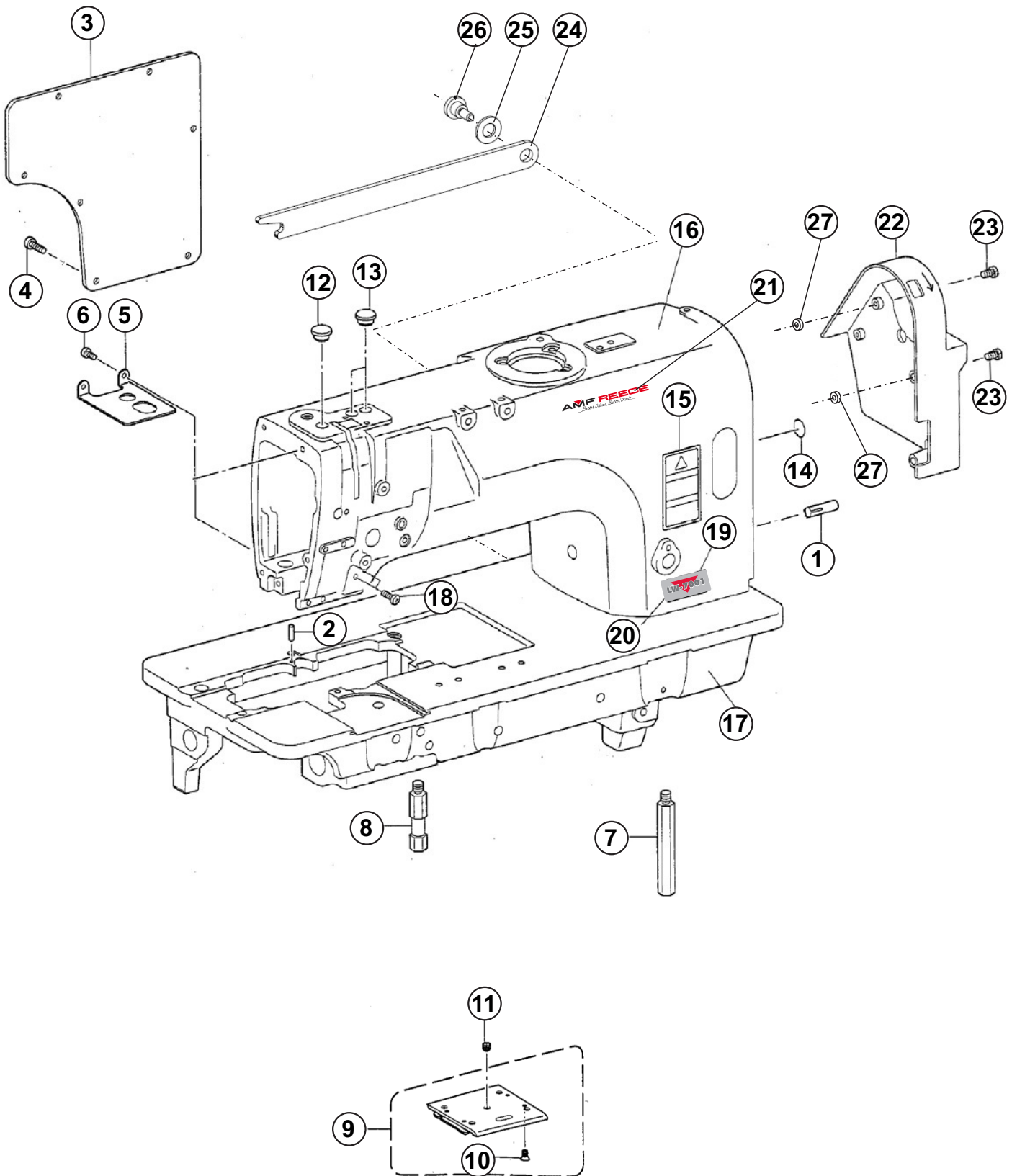


TABLE OF CONTENTS

MACHINE BODY	3-2
UPPER SHAFT MECHANISM	3-4
NEEDLE BAR ROCKING MECHANISM	3-6
FEED MECHANISM.....	3-8
FEED SHAFT MECHANISM.....	3-10
ROTARY HOOK MECHANISM - LEFT	3-12
ROTARY HOOK MECHANISM - RIGHT	3-14
ROTARY HOOK MECHANISM.....	3-16
LOWER SHAFT MECHANISM.....	3-18
LUBRICATION.....	3-20
THREADING MECHANISM.....	3-24
BOBBIN WINDER MECHANISM.....	3-26
TOP THREAD TRIMMER ASSEMBLY	3-28
CENTER KNIFE SECTION	3-30
UNDER THREAD TRIMMER SECTION.....	3-32
FRONT OF HEAD SECTION-BASE	3-34
FRONT OF HEAD SECTION-PATCH GUIDE DRIVE.....	3-36
FRONT OF HEAD SECTION-LASER	3-38
HEAD MOTOR SECTION	3-40
THREAD MONITOR.....	3-42
PATCH GUIDE ASSEMBLY.....	3-44
LEFT CLAMP SECTION-STANDARD.....	3-46
LEFT FLAP SECTION-FULL VERSION.....	3-48
RIGHT CLAMP SECTION-STANDARD.....	3-50
CLAMP CARRIER-SPREADER RIGHT	3-54
CLAMP CARRIER SECTION-DRIVE AND GUIDE.....	3-56
CLAMP CARRIER SECTION-CLAMP ARM.....	3-58
CLAMP CARRIER SECTION-CHAIN AND SENZOR.....	3-60
CORNER KNIFE UNIT ASSEMBLY-2 UNIT ..	3-62
CORNER KNIFE UNIT RIGHT.....	3-64
CORNER KNIFE UNIT LEFT.....	3-66
BACKTACKING.....	3-68
SPLIT NEEDLE MECHANISM-AP.....	3-70
CORNER KNIFE UNIT ASSY.-6 UNIT-AP.....	3-72
TABLE ASSEMBLY - BASE.....	3-74
TABLE ASSEMBLY - PNEUMATICS AND DRIVE.....	3-78
TABLE ASSEMBLY - COVER.....	3-80
THREAD STAND ASSEMBLY.....	3-82
PEDAL ASSEMBLY.....	3-84
REGULATOR ASSEMBLY	3-86
VALVE BLOCK ASSEMBLY	3-88
DISPLAY ASSEMBLY.....	3-90
ELECTROBOX.....	3-92
ELECTRICAL.....	3-94
ACCESSORIES.....	3-96
WELT SECTION-NEEDLE HEAD	3-98
WELT SECTION-NEEDLE HEAD NEEDLE PLATE.....	3-99
WELT SECTION-MAIN SHEET TAPE/ NO TAPE.....	3-100
WELT SECTION-PATCH GUIDE DOUBLE.....	3-101
WELT SECTION-PATCH GUIDE SINGLE.....	3-102
WELT SECTION-OUTSIDE SPRING TOP THREAD TRIMMER INSIDE KNIFE.....	3-103
WELT SECTION-AP.....	3-104
VACUUM UNIT.....	3-106
CENTRAL VACUUM.....	3-108
STACKER ASSEMBLY.....	3-110
TROUSERS STACKER.....	3-114
CORNER KNIFE UNIT WITH STEPPER MOTOR.....	3-118
AUTOMATIC LOADING AND CUTTING DEVICE.....	3-122
AUTOMATIC LOADING AND CUTTING DEVICE.....	3-126
AUSROLE UNIT	3-128
DART STRETCHER.....	3-130
ZIPPER - PATCH GUIDE.....	3-132
ZIPPER TRIMMING.....	3-134
ZIPPER - COVER LOADER.....	3-138
SANDWICH CLAMP FOOT.....	3-142

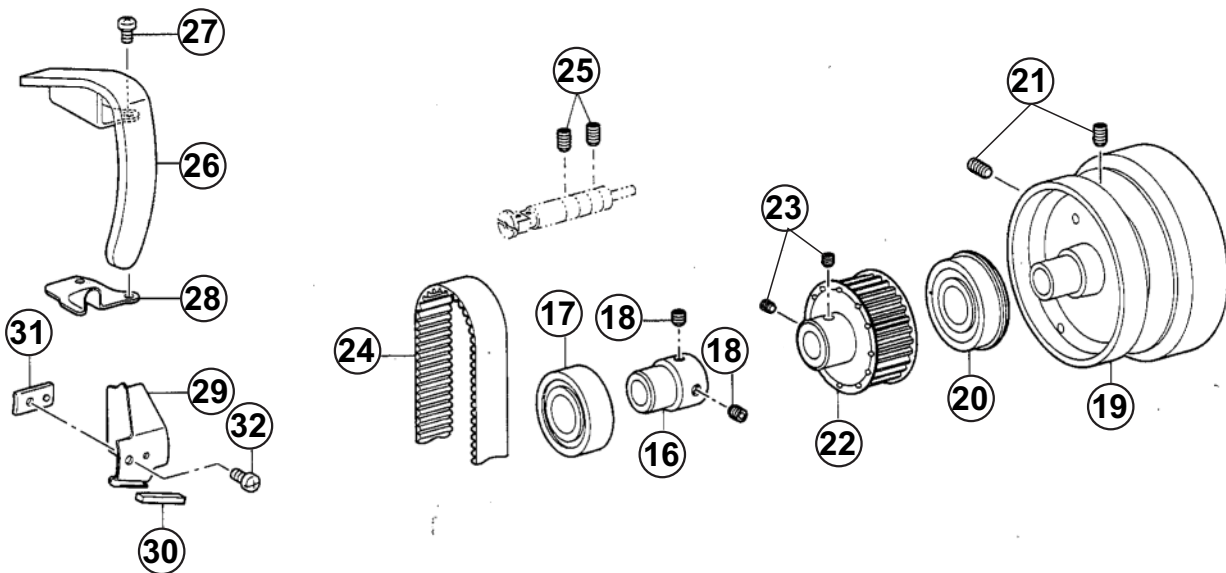
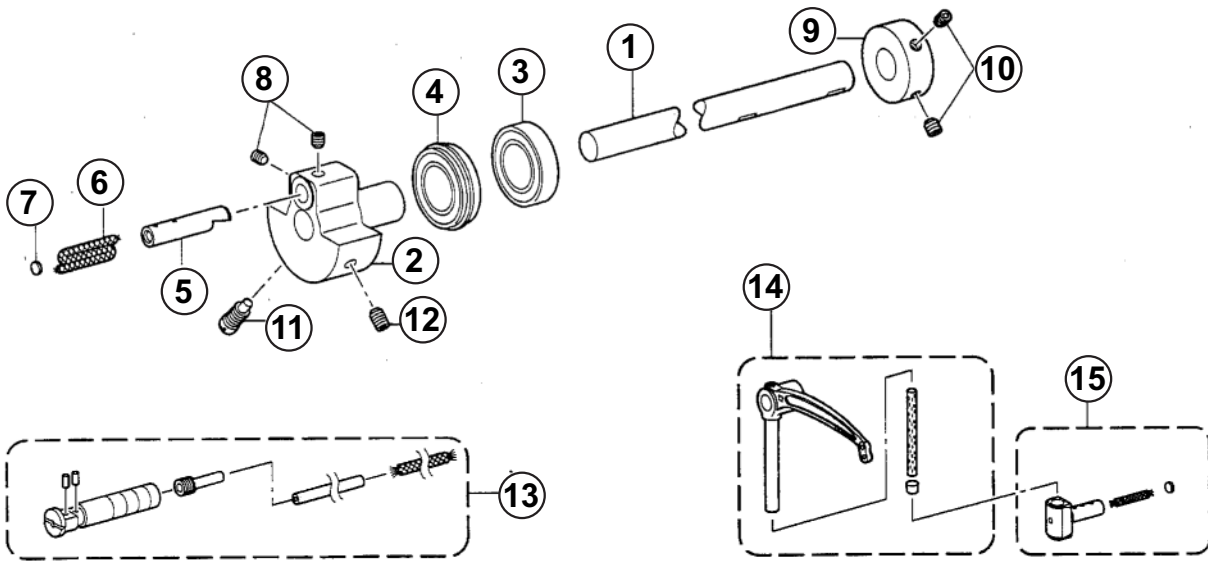
MACHINE BODY



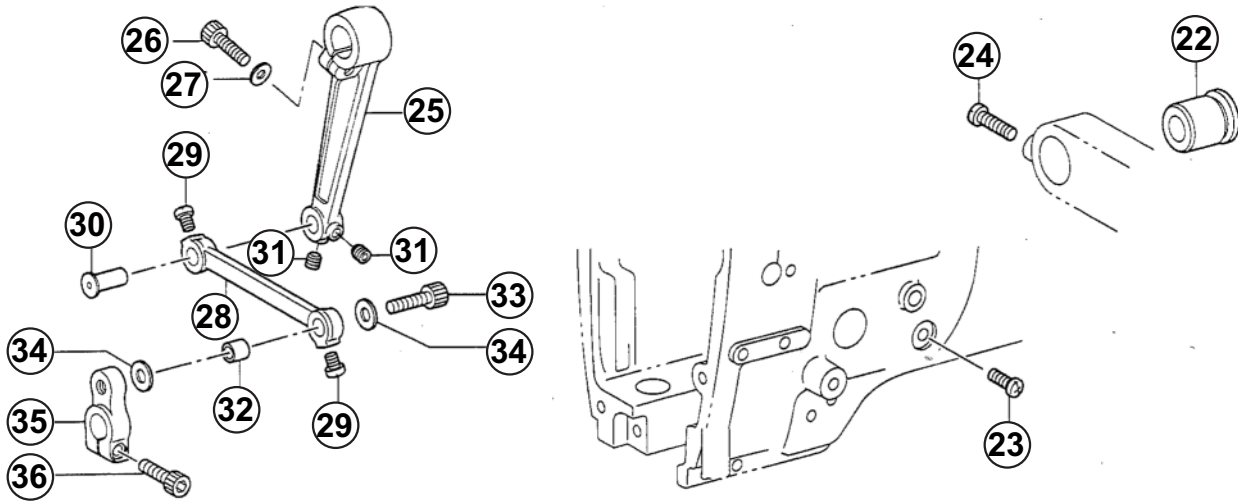
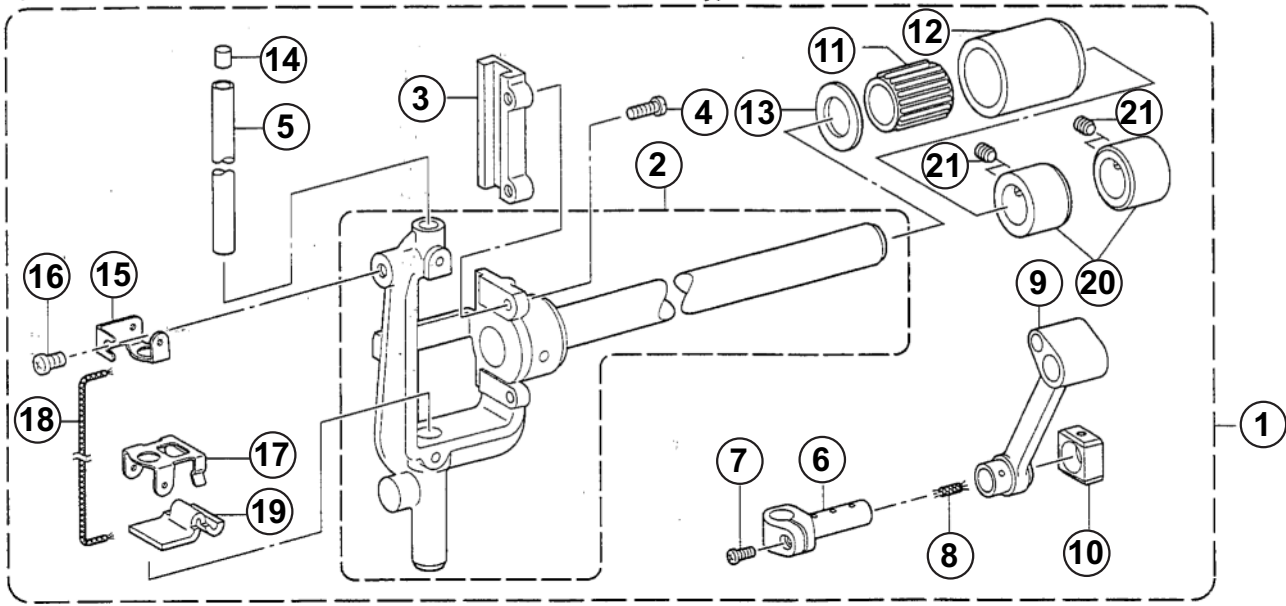
MACHINE BODY

DET	PART NUMBER	DESCRIPTION	QTY.
01	140063001	DOWEL PIN	1
02	SA3924001	POSITIONING PIN	1
03	SA2441001	REAR COVER	1
04	062501216	SCREW, PAN M5 x 12	7
05	SA2443001	DUST PROTECTOR	1
06	062500616	SCREW, PAN M5 x 6	2
07	SA2444001	BED LEG, L	1
08	SA2445001	BED LEG, S	1
09	S36663051	SLIDE PLATE F	1
10	S34438051	SCREW, FLAT 1/8-40 x 4	4
11	116010001	SET SCREW, 13/64-32 x 4.3	1
12	SA2929001	RUBBER CAP, 12.5	1
13	SA2929001	RUBBER CAP, 12.5	2
14	S37060001	LABEL, GROUNDING	1
15	SA2041001	LABEL, CAUTION CHN/ENG	1
16		ARM	1
17		BED	1
18	08.6032.5.008	SCREW, PAN M5 x8	2
19	12.8000.1.059	LABEL	1
20	12.1016.0.002	RIVET	2
21	12.8000.0.444	LABEL	1
22	SA2768101	BELT COVER, U	1
23	062500816	SCREW M5X8	2
24	68.0242.0.800	HEAD HOLDER	1
25	08.6852.0.000	WASHER	1
26	17.0033.2.030	STUD	1
27	17.0094.1.097	WASHER	2

UPPER SHAFT MECHANISM



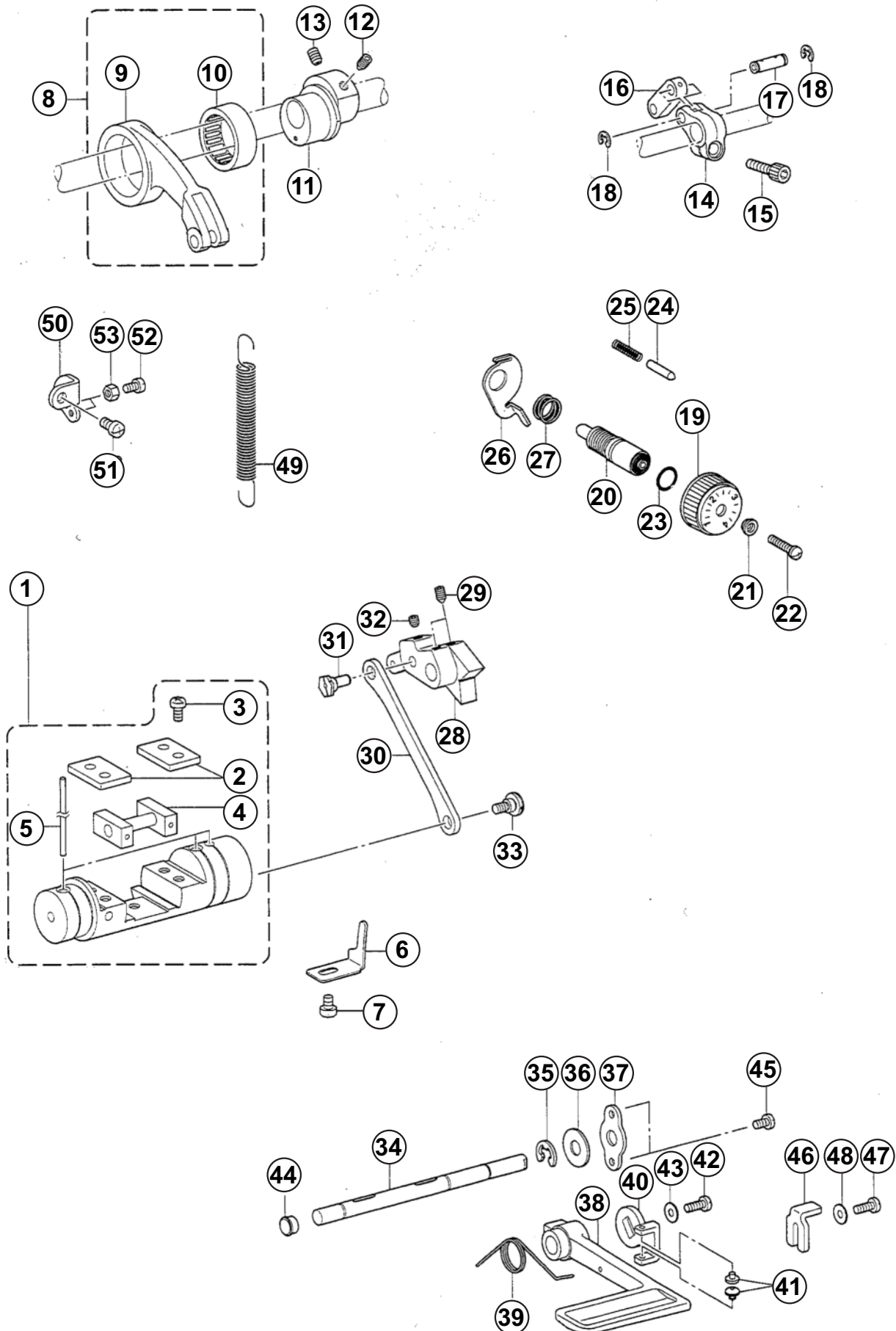
NEEDLE BAR ROCKING MECHANISM



NEEDLE BAR ROCKING MECHANISM

DET	PART NUMBER	DESCRIPTION	QTY.
01	SA4124101	NEEDLE BAR ROCKER SHAFT ASSY	1
02	SA3854001	NEEDLE BAR BASE ASSY	(1)
03	SA2474101	SLIDE BLOCK SLIDER	(1)
04	062401016	SCREW, PAN M4x10	(2)
05	SA2475001	NEEDLE BAR	(1)
06	SA3710001	NEEDLE BAR CLAMP	(1)
07	062350816	SCREW, PAN M3.5 x 8	(1)
08	112728001	WICK, L=50	(1)
09	SA3711001	CRANK ROD, N-BAR	(1)
10	SA3712001	SLIDE BLOCK	(1)
11	SA2482001	NEEDLE BEARING	(1)
12	SA2483001	CASE	(1)
13	SA2484001	WASHER, PLAIN	(1)
14	148394000	CAP, N-BAR	(1)
15	SA4007001	FELT SUPPORT	(1)
16	062500616	SCREW, PAN M5 x 6	(1)
17	SA3848001	FELT SUPPORT	(1)
18	S07465000	WICK, L=200	(1)
19	SA3852001	FELT	(1)
20	SA2485001	SET SCREW COLLAR	(2)
21	S25260001	SET SCREW, SOCKET(FT) M6-0.75 x 5	(4)
22	SA2486101	BUSH, R	1
23	062500816	SCREW, PAN M5 x 8	1
24	062061616	SCREW, PAN M6 x 16	1
25	SA2489001	NEEDLE BAR ROCKER LEVER ASSY	1
26	018062032	BOLT, SOCKET M6 x 20	1
27	118735002	WASHER	1
28	SA2490101	ROCKER LINK, N-BAR	1
29	062060816	SCREW, PAN M6 x 8	2
30	SA4117001	LINK SHAFT, N-BAR ROCKER P	1
31	012060636	SET SCREW, SOCKET (FT) M6 x 6	2
32	SA4118001	ZIGZAG LINK BUSH, P	1
33	018062532	BOLT, SOCKET M6 x 25	1
34	SA2493001	WASHER, PLAIN	2
35	SA2494001	NEEDLE BAR ROCK ARM	1
36	018062032	BOLT, SOCKET M6 x 20	1

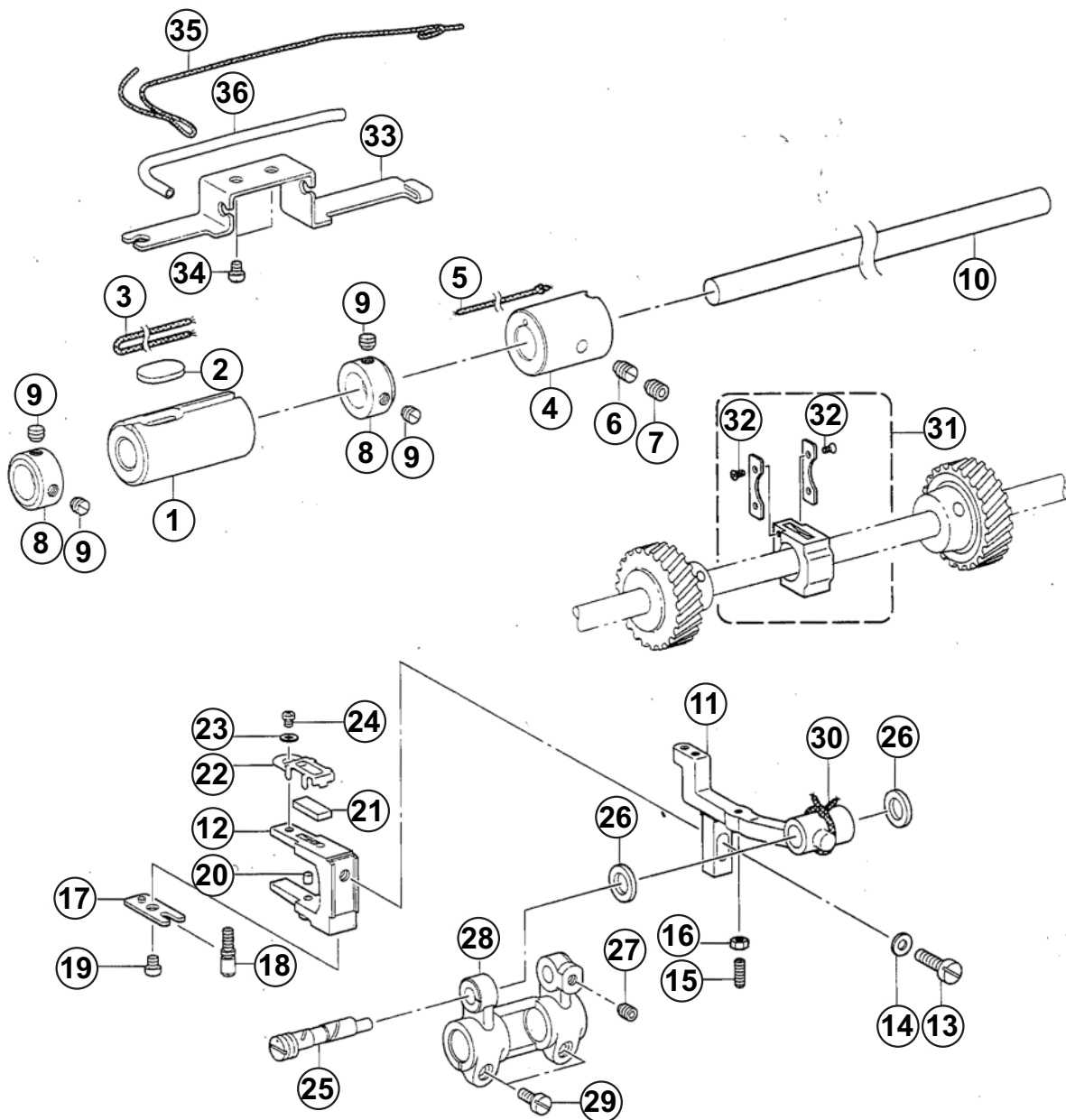
FEED MECHANISM



FEED MECHANISM

DET	PART NUMBER	DESCRIPTION	QTY.
01	SA3062001	FEED REGULATOR ASSY	1
02	SA2511001	GUIDE PLATE	(2)
03	062501016	SCREW, PAN M5 x 10	(4)
04	SA2512001	SLIDE BLOCK ASSY	(1)
05	SA2515001	FELT	(3)
06	SA2516001	STOPEER	1
07	062060816	SCREW, PAN M6 x 8	1
08	143611201	F-ROCKER CONNECTING ROD ASSY	1
09	143612100	FEED ROCKER CONNECTING ROD	(1)
10	118954000	NEEDLE BEARING	(1)
11	SA2518001	LEVEL FEED ECCENTRIC WHEEL	1
12	SA2585001	SET SCREW, SOCKET (FT) M6-0.75 x 10	1
13	S25236001	SET SCREW, SOCKET,(FT) M6-0.75 x 10	1
14	SA2521001	FEED ROCKER ARM	1
15	018062032	BOLT, SOCKET M6 x 20	1
16	143613051	LINK	1
17	143616001	SHAFT	1
18	048060342	RETAINING RING, 6	2
19	S38422001	STITCH LENGTH DLAL	1
20	SA3056001	FEED REGULATING STUD	1
21	142746002	FEED REGULATING SUPPORTER	1
22	129458102	SCREW, 3/16-28 x 14	1
23	108549001	O RING	1
24	S50098101	POSITIONING PIN	1
25	100328001	NOTCH SPRING	1
26	SA2523001	DLAL LOCK LEVER	1
27	S39830101	SPRING	1
28	SA2525001	FEED REGULATOR	1
29	016061031	SET SCREW, SOCKET (CN) M6 x 10	2
30	SA2526001	CONNECTING ROD	1
31	SA2527001	ECCENTRIC SHAFT	1
32	012060636	SET SCREW, SOCKET (FT) M6 x 6	1
33	SA2528101	SHOULDER SCREW, M6	1
34	SA2529101	SHAFT, R-LEVER TR	1
35	048080342	RETAINING RING, 8	1
36	025100132	WASHER, PLAIN 10	1
37	SA2530001	SPACER	1
38	S07374109	REVERSE STITCHING LEVER	1
39	SA2531001	SPRING	1
40	SA3067001	LEVER GUIDE	1
41	S48367000	RUBBER	2
42	062501216	SCREW, PAN M5 x 12	1
43	025050336	WASHER, PLAIN 5	1
44	104821001	RUBBER CAP, 10.5	1
45	062500816	SCREW, PAN M5 x 8	2
46	SA2532001	STOPPER	1
47	062501216	SCREW, PAN M5 x 12	1
48	025050236	WASHER, PLAIN 5	1
49	S07376001	FEED REGULATOR SPRING	1
50	SA2533001	SPRING HOOK	1
51	062060816	SCREW, PAN M6 x 8	1
52	062501216	SCREW, PAN M5 x 12	1
53	021500106	NUT, M5	1

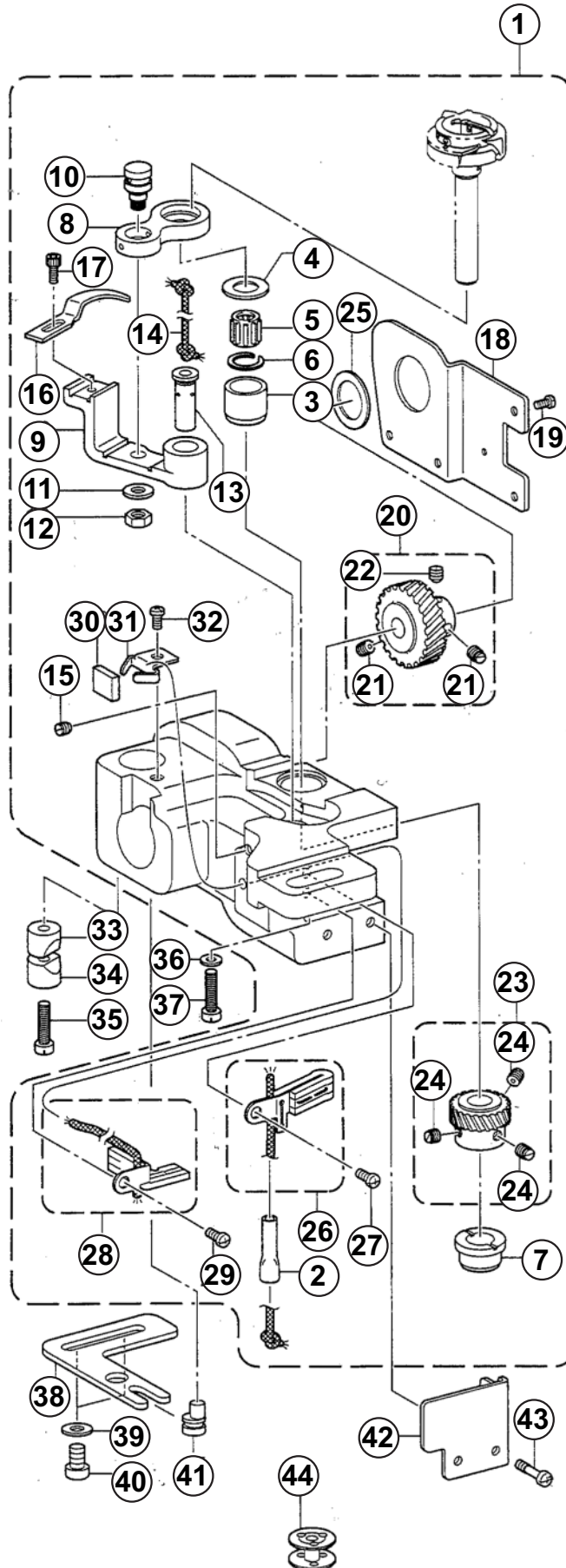
FEED SHAFT MECHANISM



FEED SHAFT MECHANISM

DET	PART NUMBER	DESCRIPTION	QTY.
01	SA3855001	BUSH, L:F-ROCKER SHAFT	1
02	SA3965001	FELT	1
03	SA4028001	WICK, 4 x 4 L=220	1
04	SA2543001	FEED ROCKER SHAFT BUSH, R	1
05	108802001	WICK, 4 x 4 L=250	1
06	SA2544001	SET SCREW M6	1
07	012060636	SET SCREW, SOCKET (FT) M6 x 6	1
08	SA2546001	SET SCREW COLLAR	2
09	S23651001	SET SCREW, SOCKET (FT) M6-0.75 x 6	4
10	SA3840001	FEED ROCKER SHAFT	1
11	SA3864001	FEED BAR, ST	1
12	SA3886001	FEED BAR FORK	1
13	SA2927001	SCREW, M6 x 14	1
14	025060132	WASHER, PLAIN 6	1
15	SA2566001	SET SCREW, M3.5 x 12	1
16	021350106	NUT, M3.5	1
17	SA2553001	FORKED PLATE	1
18	SA2554001	ADJUSTING SCREW, HIGHT M4	1
19	062400616	SCREW, PAN M4 x6	1
20	SA3990001	FELT	1
21	SA3887001	FELT	1
22	SA3888001	FELT HOLDER	1
23	1025030132	WASHER, PLAIN 3	1
24	062300612	SCREW, PAN M3 x 5	1
25	SA2550001	FEED BAR SHAFT	1
26	SA2551001	THRUST RING	2
27	012060636	SET SCREW, SOCKET (FT) M6 x 6	1
28	SA2555001	FEED ROCKER BASE ARM	1
29	SA2928001	SCREW, M5 x 12	2
30	SA4025001	WICK, 4 x 4 L=180	1
31	SA2806001	FEED BAR SLIDE BLOCK ASSY	1
32	W01519001	SCREW, FLAT M2 x 4	(4)
33	SA4009001	WICK SUPPORT	1
34	062400616	SCREW, PAN M4 x 6	2
35	SA2724001	WICK, L=400	1
36	SA4011001	OIL TUBE, L=100	1

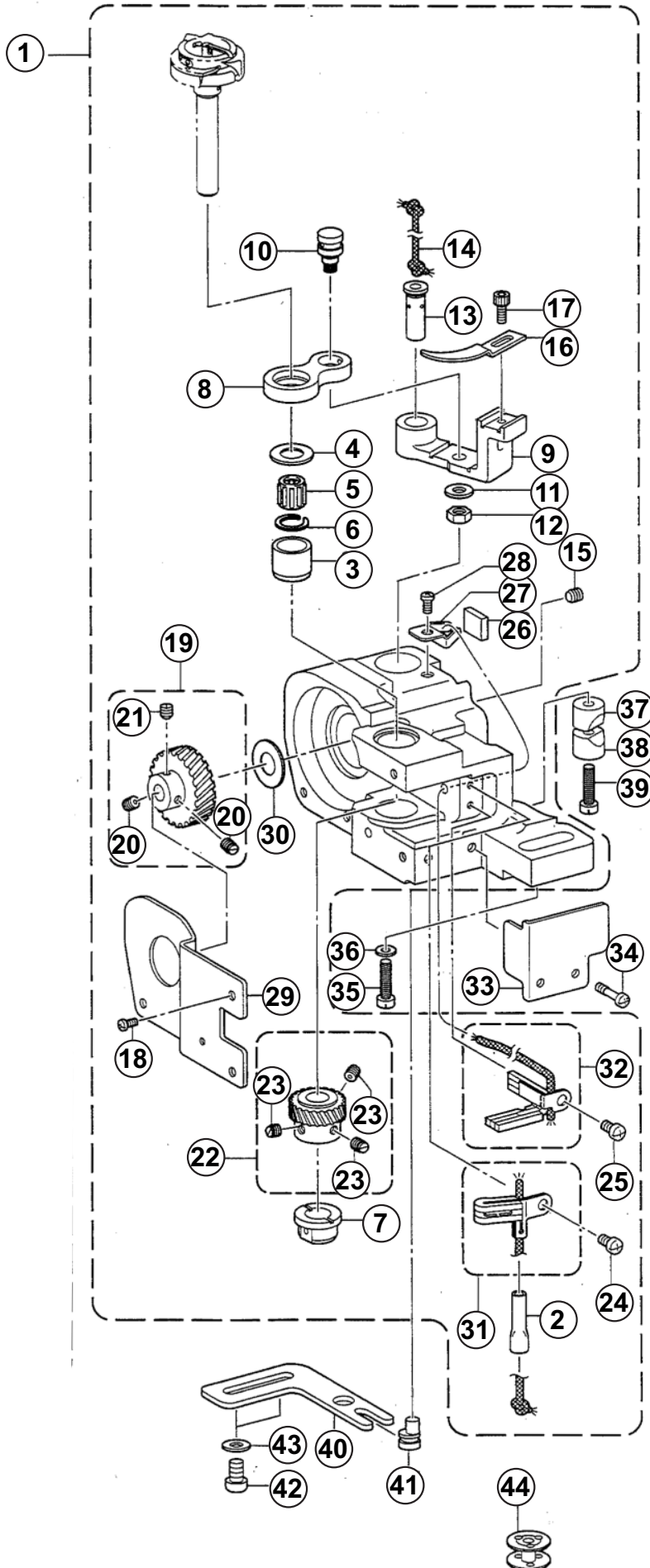
ROTARY HOOK MECHANISM - LEFT



ROTARY HOOK MECHANISM - LEFT

DET	PART NUMBER	DESCRIPTION	QTY.
01	SA2755101	ROTARY HOOK BASE ASSY, 842ST (L)	1
02	SA3961001	PIPE	(1)
03	SA4029001	ROTARY HOOK SHAFT BUSH	(1)
04	S09260001	THRUST RING 1.2	(1)
04	SA4038001	THRUST RING 1.0	(1)
04	S09261001	THRUST RING 1.4	(1)
04	SA4444001	THRUST RING 0.8	(1)
05	S07420000	NEEDLE BEARING	(1)
06	S07419001	RETAINING RING	(1)
07	SA2557001	ROTARY HOOK SHAFT BUSH,D	(1)
08	SA3856001	OPENER LINK	(1)
09	SA3859001	OPENER LEVER	(1)
10	SA2560001	SHAFT, 0-LINK	(1)
11	25710132	WASHER, PLAIN 4.76	(1)
12	21500316	NUT, M5	(1)
13	SA3889101	0-LEVER SHAFT	(1)
14	SA4026001	WICK, 4 x 4 L=100	(1)
15	12500536	SET SCREW, SOCKET (FT) M5 x 5	(1)
16	S38212001	OPENER	(1)
17	154965001	BOLT, SOCKET 9/64-40 x 8	(1)
18	SA2562101	ROTARY HOOK BASE COVER, L	(1)
19	62300612	SCREW, PAN M3 x 5	(4)
20	SA4549001	SPIRAL GEAR SCREW ASSY	(1)
21	SA2574001	SET SCREW, (FT) M6-0.75 x 5	((2))
22	SA2575001	SET SCREW, (FT) M6-0.75 x 5.7	((1))
23	SA2576001	PINION GEAR SCREW ASSY	(1)
24	SA2574001	SET SCREW, (FT) M6-7.5 x 5	((3))
25	SA3054001	THRUST WASHER	(1)
26	SA4042001	FELT UL ASSY	(1)
27	62400616	SCREW, PAN M4 x 6	(1)
28	SA4044001	FELT DL ASSY	(1)
29	62400616	SCREW, PAN M4 x 6	(1)
30	SA4012001	FELT	(1)
31	SA3894001	FELT SUPPORT	(1)
32	62400616	SCREW, PAN M4 x 6	(1)
33	SA2722001	PINCH SLEEVE A	2
34	SA2565001	PINCH SLEEVE B	2
35	SA2556001	SCREW, M6 x 25	2
36	115947001	WASHER, PLAIN 6.35	2
37	SA2556001	SCREW, M3 x 25	2
38	SA2567001	NEEDLE UPPER POSITIONING PLATE	2
39	025060136	WASHER, PLAIN 6	4
40	062061016	SCREW, PAN M6 x 10	4
41	SA2568001	NEEDLE UPPER POSITIONING SHAFT	2
42	SA3988001	ROTARY HOOK BASE COVER, FL	1
43	SA2825001	SCREW, M3 x 12	4
44	S01928151	BOBBIN	2

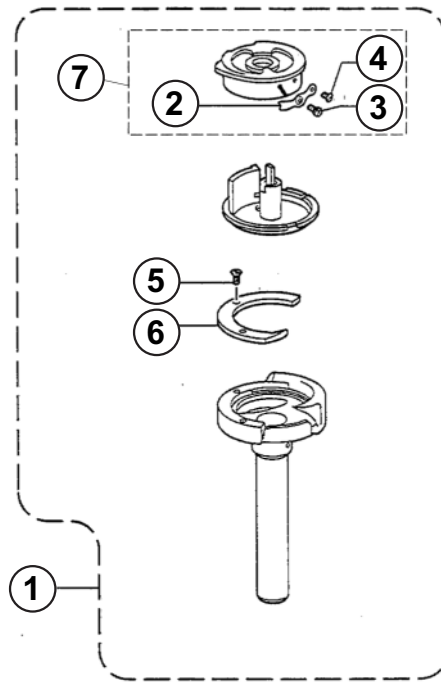
ROTARY HOOK MECHANISM - RIGHT



ROTARY HOOK MECHANISM - RIGHT

DET	PART NUMBER	DESCRIPTION	QTY.
01	SA2757201	ROTARY HOOK BASE ASSY, 842S(R)	1
02	SA3961001	PIPE	(1)
03	SA4029001	ROTARY HOOK SHAFT BUSH	(1)
04	S09260001	THRUST RING 1.2	(1)
04	SA4038001	THRUST RING 1.0	(1)
04	S09261001	THRUST RING 1.4	(1)
04	SA4444001	THRUST RING 0.8	(1)
05	S07420000	NEEDLE BEARING	(1)
06	S07419001	RETAINING RING	(1)
07	SA2557001	ROTARY HOOK SHAFT BUSH, D	(1)
08	SA3856001	OPENER LINK	(1)
09	SA3859001	OPENER LEVER	(1)
10	SA2560001	SHAFT, 0-LINK	(1)
11	25710132	WASHER, PLAIN 4.76	(1)
12	21500316	NUT, M5	(1)
13	SA3889101	0-LEVER SHAFT	(1)
14	SA4026001	WICK, 4 x 4 L=100	(1)
15	12500536	SET SCREW, SOCKET (FT) M5 x 5	(1)
16	S38212001	OPENER	(1)
17	154965001	BOLT, SOCKET 9/64-40 x 8	(1)
18	62300612	SCREW, PAN M3 x 5	(4)
19	SA4549001	SPIRAL GEAR SCREW ASSY	(1)
20	SA2574001	SET SCREW, (FT) M6-0.75 x 5	((2))
21	SA2575001	SET SCREW, (FT) M6-0.75 x 5.7	((1))
22	SA2576001	PINION GEAR SCREW ASSY	(1)
23	SA2574001	SET SCREW, (FT) M6-0.75 x 5	((3))
24	062400616	SCREW, PAN M4 x 6	(1)
25	062400616	SCREW, PAN M4 x 6	(1)
26	SA4012001	FELT	(1)
27	SA3894001	FELT SUPPORT	(1)
28	062400616	SCREW, PAN M4 x 6	(1)
29	SA2563101	ROTARY HOOK BASE COVER, R	(1)
30	SA2579001	SPECER	(1)
31	SA4043001	FELT UR ASSY	(1)
32	SA4045001	FELT DR ASSY	(1)
33	SA3916001	ROTARY HOOK BASE COVER, FR	1
34	SA2825001	SCREW, M3 x 12	4
35	SA2556001	SCREW, M3 x 25	2
36	115947001	WASHER, PLAIN 6.35	2
37	SA2722001	PINCH SLEEVE A	2
38	SA2565001	PINCH SLEEVE B	2
39	SA2556001	SCREW, M6 x 25	2
40	SA2567001	NEEDLE UPPER POSITIONING PLATE	2
41	SA2568001	NEEDLE UPPER POSITIONING SHAFT	2
42	062061016	SCREW, PAN M6 x 10	4
43	025060136	WASHER, PLAIN 6	4
44	S01928151	BOBBIN	2

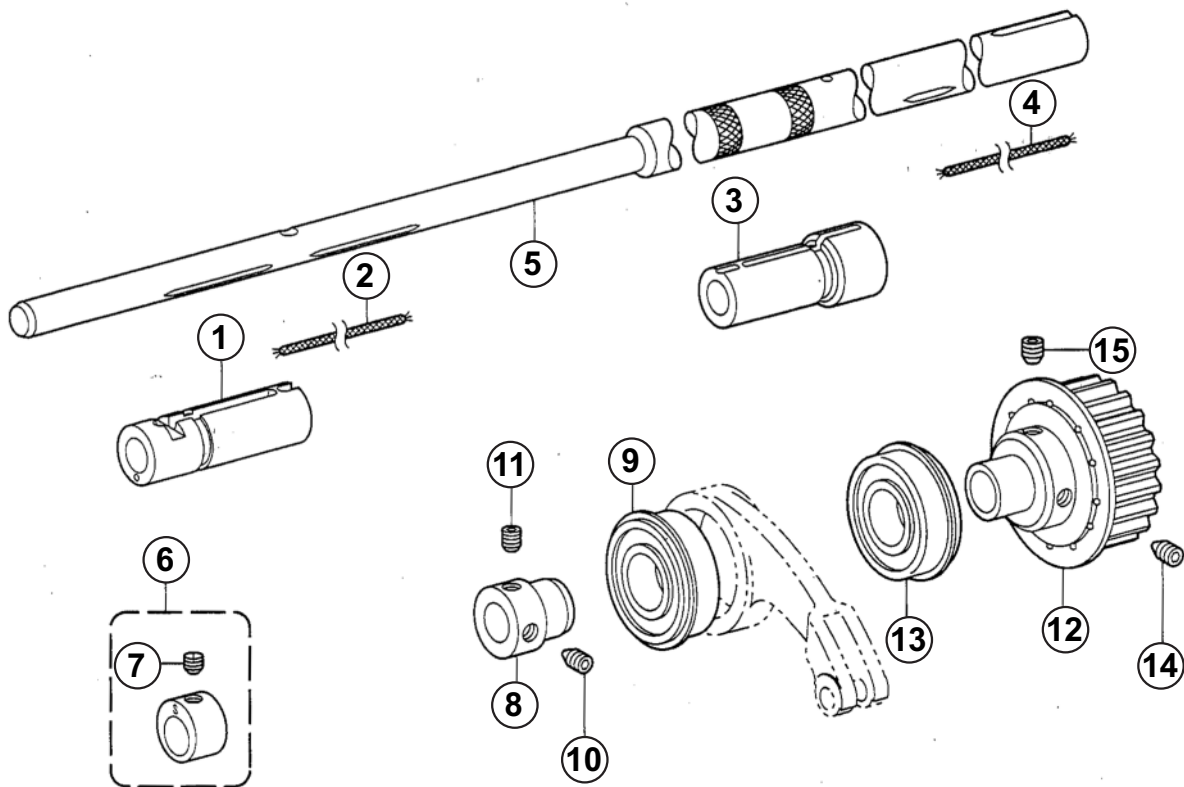
ROTARY HOOK MECHANISM



ROTARY HOOK MECHANISM

DET	PART NUMBER	DESCRIPTION	QTY.
01	SA1668111	ROTARY HOOK ASSY	1
02	154518001	TENSION SPRING	((1))
03	154519001	TENSION ADJUSTING SCREW	((1))
04	151030001	SET SCREW	((1))
05	151027001	SET SCREW	(2)
06	S07746001	INNER ROTARY HOOK HOLDER	(1)
07	S07740-001	BOBBIN CASE ASSY	(1)

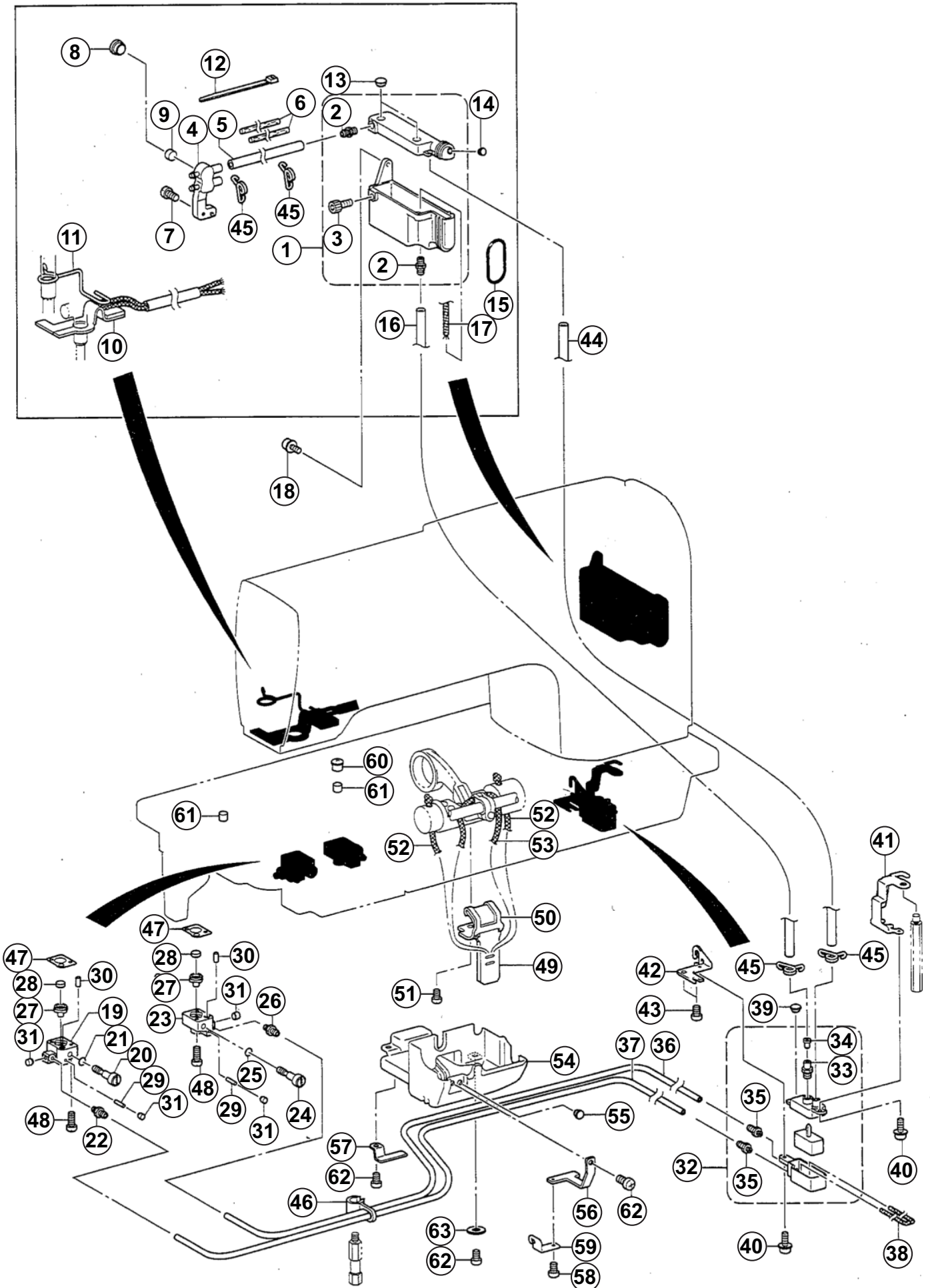
LOWER SHAFT MECHANISM



LOWER SHAFT MECHANISM

DET	PART NUMBER	DESCRIPTION	QTY.
01	SA3890001	ROTARY HOOK BASE BUSH, L	1
02	S38481000	WICK, L=41	1
03	SA3891001	ROTARY HOOK BASE BUSH, R	1
04	S38481000	WICK, L=41	1
05	SA2571001	LOWER SHASFT	1
06	SA2759001	F-LIFTING ECCENTRIC WHEEL ASSY	1
07	SA2575001	SET SCREW, (FT) M6-0/5 x 5.7	(1)
08	SA2584001	BALL BEARING BUSH	1
09	072600480	BALL BEARING, THRUST 6004ZZ	1
10	SA2585001	SET SCREW, SOCKET (FT) M6-0.75 x 10	1
11	S25236001	SET SCREW, SOCKET (FT) M6-0.75 x 10	1
12	SA2587001	TIMING PULLEY ASSY	1
13	158115001	BALL BEARING, 6204ZZNR	1
14	SA2585001	SET SCREW, SOCKET (FT) M6-0.75 x 10	1
15	SA4213001	SET SCREW, SOCKET (CP) M6-0.75 x 10	1

LUBRICATION

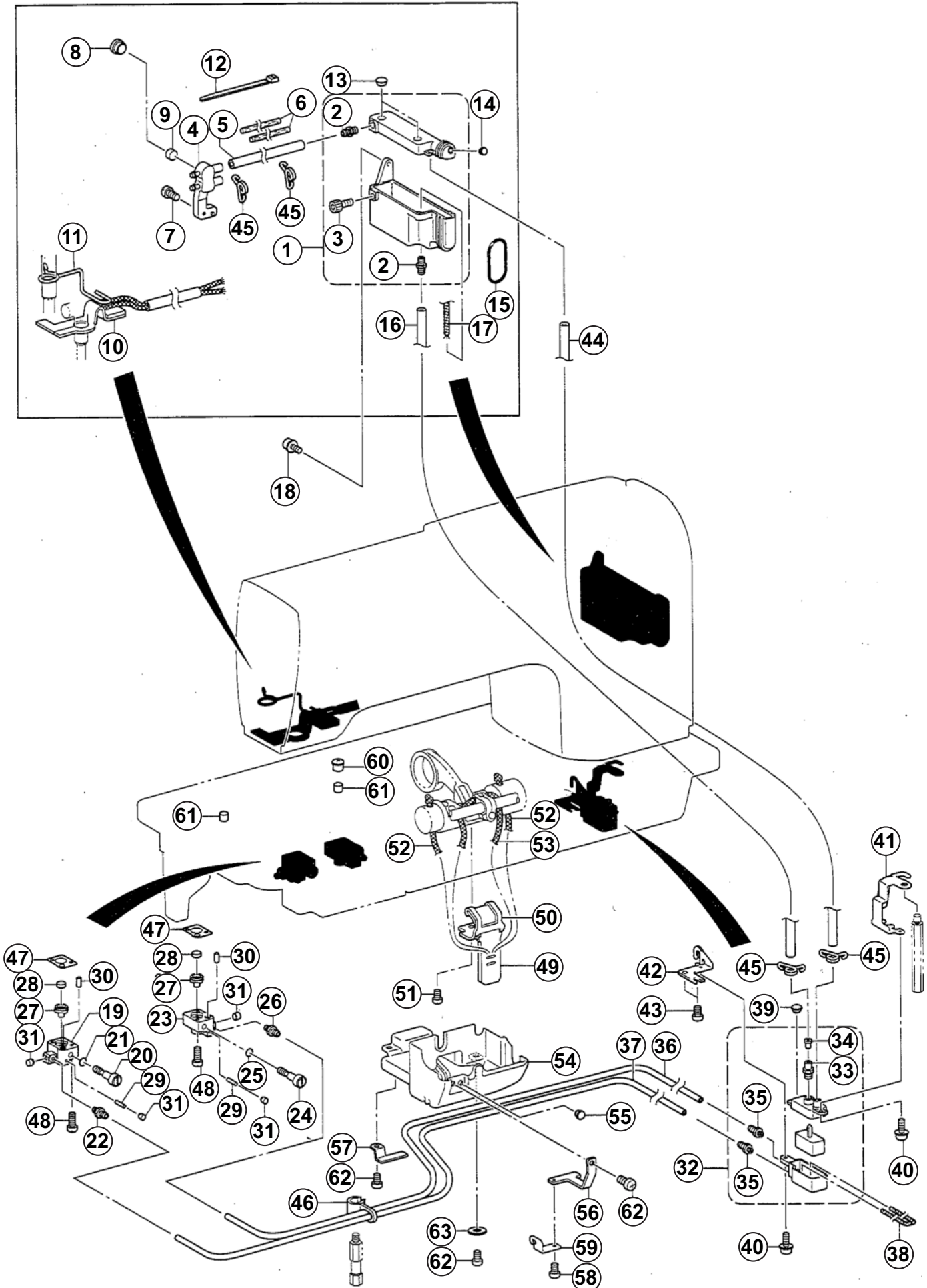


LUBRICATION

DET	PART NUMBER	DESCRIPTION	QTY.
01	SA4205001	OIL TANK ASSY	1
02	S51815001	OIL FEEDING PIPE, 8.6	(2)
03	18081236	BOLT, SOCKET M8 x 12	(1)
04	SA3946001	OIL TERMINAL	1
05	SA2956001	OIL TUBE, L=135	1
06	SA2957001	FELT	2
07	62500816	SCREW, PAN M5 x 8	1
08	SA2929001	RUBBER CAP, 12.5	1
09	S38266000	ROTARY HOOK SHAFT FELT	1
10	SA4215001	FELT ASSY	1
11	SA4033001	FELT SUPPORT	1
12	228475000	FASTENING BAND 1.9 x 80	1
13	SA2929001	RUBBER CAP, 12.5	2
14	104450101	RUBBER CAP, 8	1
15	81038070	O RING 38	1
16	SA2723001	OIL TUBE, L=210	1
17	SA2724001	WICK, L=400	1
18	0A5501006	SCREW, PAN (S/P WASHER) M5 x 10	2
19	SA3896001	OIL BLOCK, L	1
20	SA2599001	OIL ADJUSTING SCREW M6-0.75	1
21	81004070	O RING 4	1
22	SA3147001	OIL FEEDING PIPE 2.5	1
23	SA3898001	OIL BLOCK, R	1
24	SA2599001	OIL ADJUSTING SCREW M6-0.75	1
25	81004070	O RING 4	1
26	SA3147001	OIL FEEDING PIPE 2.5	1
27	SA3061001	RUBBER PACKING	2
28	SA2727101	ROTARY HOOK SHAFT FELT	2
29	S05246000	FELT	2
30	148743001	FELT	2
31	142274101	RUBBER CAP, 4.2	4
32	SA3037001	SUB-TANK ASSY	1
33	SA3040001	OIL FEEDING PIPE	1
34	SA3060001	VALVE PACKING	1
35	SA3147001	OIL FEEDING PIPE 2.5	2
36	SA2596001	OIL TUBE, L=400	1
37	SA2597001	OIL TUBE, L=500	1
38	SA2598001	WICK, L=1100	1
39	104450101	RUBBER CAP, 8	1
40	0A4400806	SCREW, PAN (S/P WASHER) M4 x 8	2
41	SA3045101	SUB-TANK SETTING PLATE, A	1
42	SA3046001	SUB-TANK SETTING PLATE, B	1
43	62060816	SCREW, PAN M6 x 8	2
44	SA3044001	OIL TUBE, L=242	1
45	SA3055101	TUBE CLIP	4



LUBRICATION

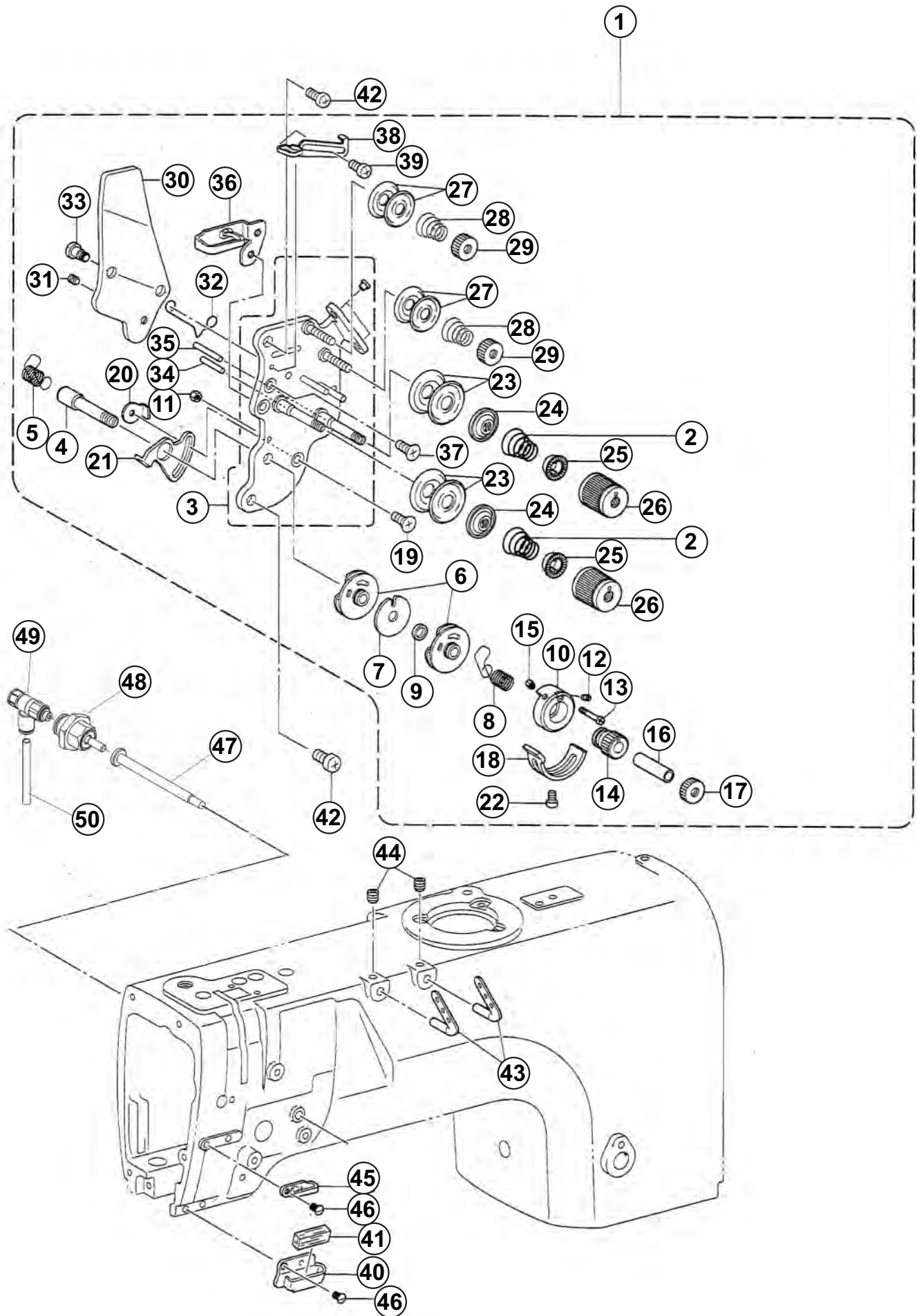


LUBRICATION



DET	PART NUMBER	DESCRIPTION	QTY.
46	SA3047001	TUBE SUPPORT	1
47	SA3923001	ROTARY HOOK BASE D PACKING	2
48	62401616	SCREW, PAN M4 x 16	4
49	SA2604001	FEED REGULATOR FELT	1
50	SA2605001	FELT SUPPORT	1
51	62500616	SCREW, PAN M5 x 6	1
52	108802001	WICK, 4 x 4 L=250	2
53	108801001	WICK, 4 x 4 L=350	1
54	SA2606101	OIL COVER	1
55	104450101	RUBBER CAP, 8	1
56	SA3048101	TUBE SUPPORT, A	1
57	SA3049001	TUBE SUPPORT, B	1
58	062400616	SCREW, PAN M4 X6	2
59	SA4014001	TUBE GUIDE	1
60	140890009	OIL CAP	1
61	112753001	FELT	2
62	062061016	SCREW, PAN M6 x 10	3
63	025060236	WASHER, PLAIN 6	1

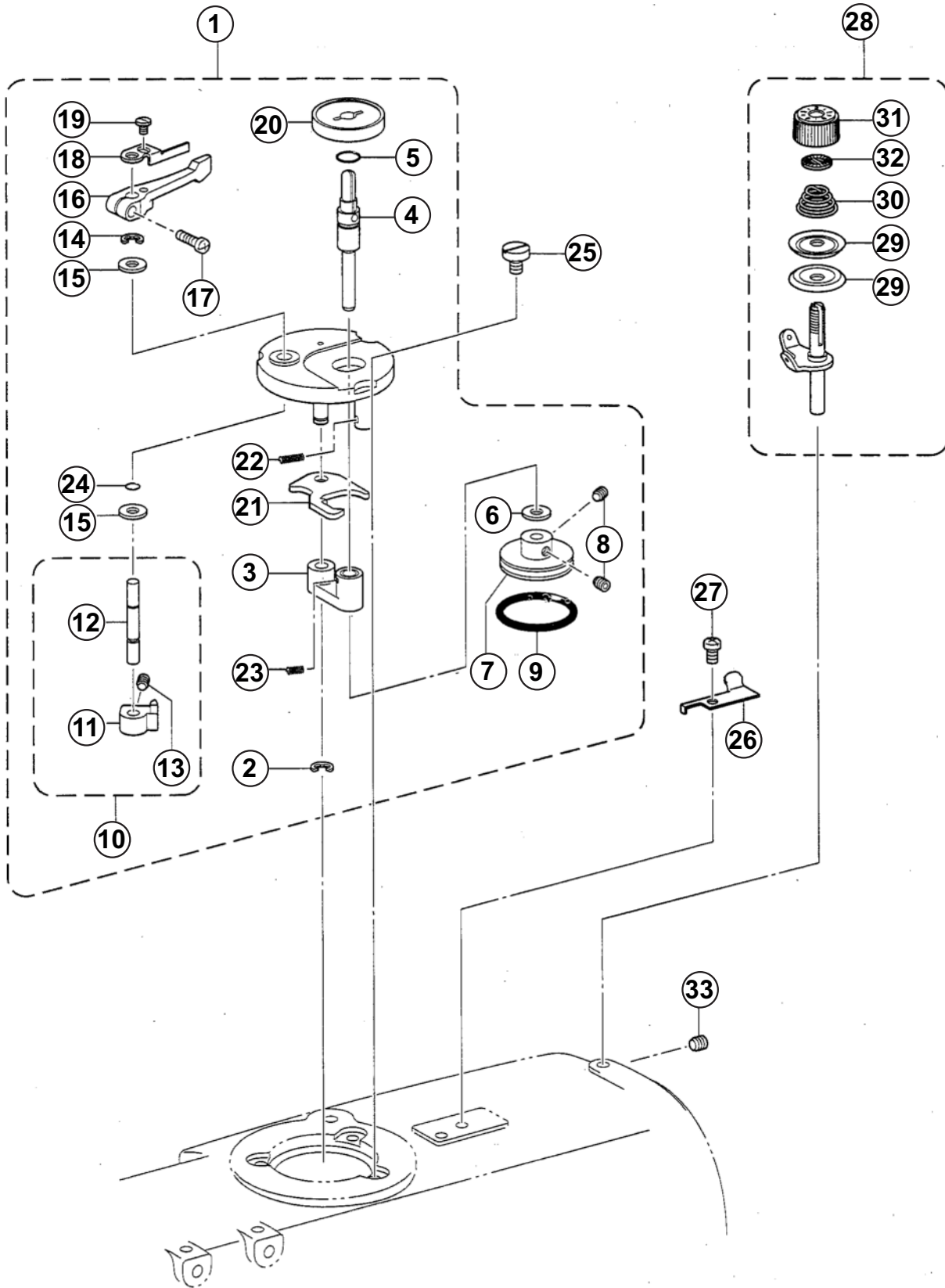
THREADING MECHANISM



THREADING MECHANISM

DET	PART NUMBER	DESCRIPTION	QTY.
01	SA3417001	UPPER THREAD TENSION ASSY, -3	1
02	SA3415001	TENSION SPRING, L	(2)
03	SA4212001	TENSION PLATE ASSY	(1)
04	SA2613001	TENSION STUD	(1)
05	SA2614001	THREAD TAKE-UP SPRING, L	(1)
06	SA2615001	GUIDE ASSY, T/TAKE-UP SPRING	(2)
07	SA2619001	SPACER	(1)
08	SA2623001	THREAD TAKE-UP SPRING, R	(1)
09	SA2620001	COLLAR	(1)
10	SA2621001	STOPPER SUPPORT	(1)
11	021300106	NUT, M3	(1)
12	SA2626001	SET SCREW, (CP) M3.5x6	(1)
13	SA2624001	SPRING GUIDE SET SCREW	(1)
14	SA2625001	ADJUSTING THUMB	(1)
15	SA2626001	SET SCREW, (CP) M3.5 x 6	(1)
16	SA2627001	COLLAR	(1)
17	SA2628001	TENSION NUT	(1)
18	SA2629001	STOPPER	(1)
19	061350616	SCREW, FLAT M3.5 x 6	(1)
20	SA2824001	WHIRL-STOP	(1)
21	SA2630001	STOPPER	(1)
22	062350512	SCREW, PAN M3.5 x 5	(1)
23	145446001	DISC, TENSION	(4)
24	159805001	TENSION DISC PRESSER	(2)
25	S20681000	WASHER	(2)
26	S20682105	ADJUSTING THUMB	(2)
27	144504001	THREAD GUIDE DISC	(4)
28	154560001	PRE-TENSION SPRING	(2)
29	155510001	TENSION NUT	(2)
30	SA2632001	TENSION RELEASE PLATE	(1)
31	012500536	SET SCREW, SOCKET (FT) M5 x 5	(1)
32	S38274001	T-RELEASE SPRING	(1)
33	SA2633001	T-RELEASE SCREW	(2)
34	SA4506001	TENSION RELEASE PIN, L	(1)
35	SA4507001	TENSION RELEASE PIN, R	(1)
36	SA2634001	THREAD GUIDE, U:ARM	(1)
37	061350616	SCREW, FLAT M3:5 x 6	(2)
38	SA2635001	THREAD QUANTINTY ADJUST	(1)
39	062300616	SCREW, PAN M3 x6	(1)
40	SA2639001	THREAD GUIDE, D:ARM	1
41	114941001	FELT	1
42	062500816	SCREW, PAN M5 x 8	2
43	SA2636001	THREAD RETAINER	2
44	012060636	SET SCREW, SOCKET (FT) M6 x 6	2
45	SA2638001	THREAD GUIDE, M:ARM	1
46	SA2640001	SCREW, FLAT M5 x 8	2
47	68.0223.0.300	ROD	1
48	12.0008.3.733	CYLINDER	1
49	12.0010.3.113	SPEED CONTROLLER	1
50	12.0008.3.416	AIR TUBE	1

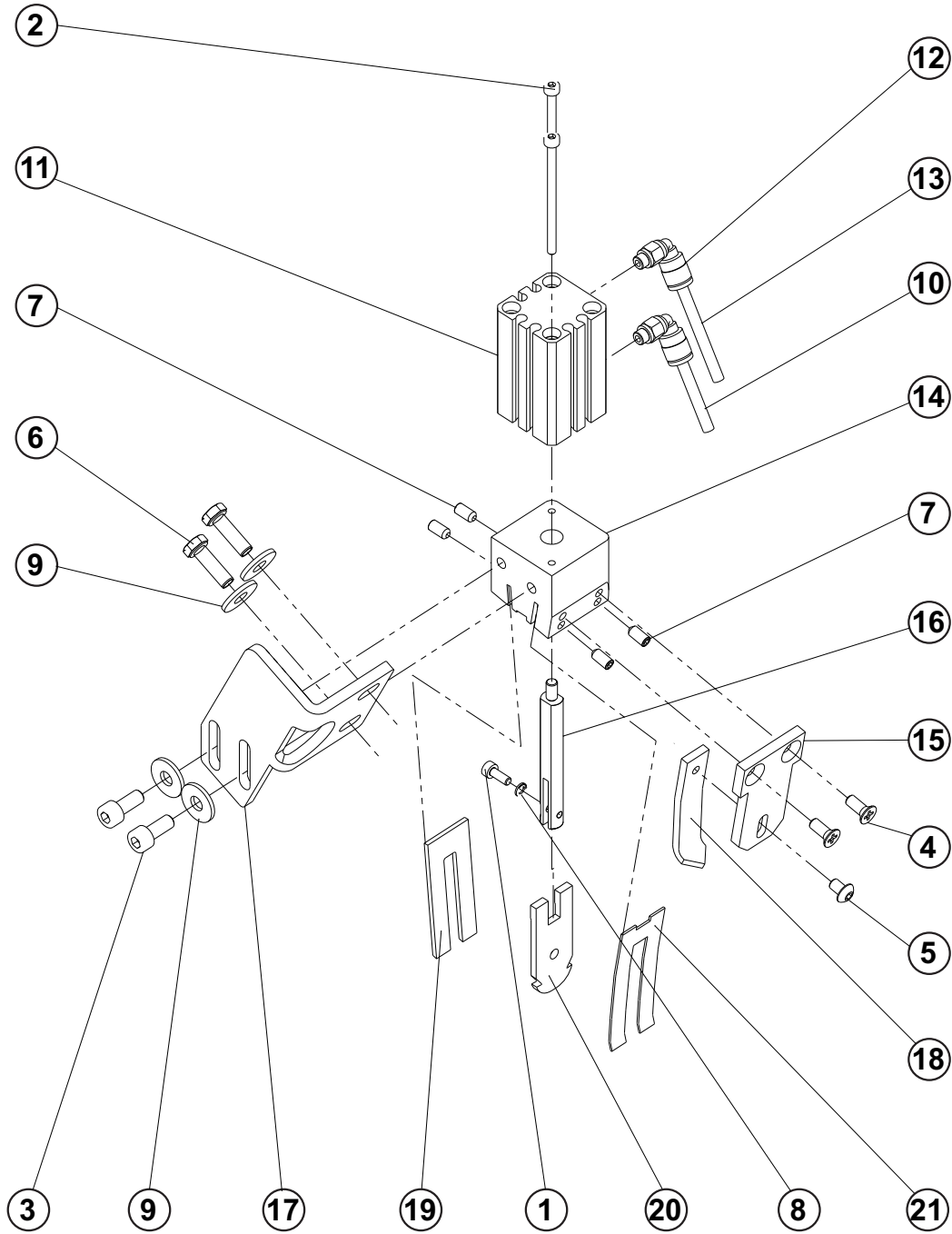
BOBBIN WINDER MECHANISM



BOBBIN WINDER MECHANISM

DET	PART NUMBER	DESCRIPTION	QTY.
01	SA1971101	BOBBIN WINDER UNIT	1
02	048040342	RETAINING RING, 4	(1)
03	SA1975001	B-WINDER SHAFT SUPPORT ASSY	(1)
04	SA1978001	BOBBIN WINDER SHAFT	(1)
05	081009070	O RING, 9	(1)
06	025060136	WASHER, PLAIN 6	(1)
07	SA1980001	BOBBIN WINDER WHEEL	(1)
08	012500536	SET SCREW, SOCKET (FT) M5 x 5	(2)
09	S25789000	RUBBER RING, 29	(1)
10	SA1981101	BOBBIN PRESSER CAM ASSY	(1)
11	SA1982101	BOBBIN PRESSER CAM	((1))
12	SA1983001	BOBBIN WINDER ARM SHAFT	((1))
13	012500536	SET SCREW, SOCKET (FT) M5 x 5	((1))
14	048040342	RETAINING RING, 4	(1)
15	025060136	WASHER, PLAIN 6	(2)
16	SA1984001	BOBBIN PRESSER ARM	(1)
17	062401216	SCREW PAN M4 x 12	(1)
18	SA1985001	BOBBIN PRESSER	(1)
19	S23418002	SCREW M4 x 5	(1)
20	SA1988001	BOBBIN SUPPORT	(1)
21	SA1989001	BOBBIN WINDER LEVER	(1)
22	SA1990101	SPRING	(1)
23	SA1991001	BOBBIN WINDER BASE SPRING	(1)
24	SA2190001	O RING, 5	(1)
25	SA1992101	BOBBIN WINDER FIXED SCREW	3
26	SA1360001	KNIFE	1
27	062500616	SCREW, PAN M5 x 6	1
28	SA1994001	BOBBIN WINDER TENSION ASSY	1
29	145446001	DISC, TENSION	(2)
30	100401021	TENSION SPRING	(1)
31	S31032001	TENSION NUT	(1)
32	S12441001	WASHER	(1)
33	012500536	SET SCREW, SOCKET (FT) M5 x 5	1

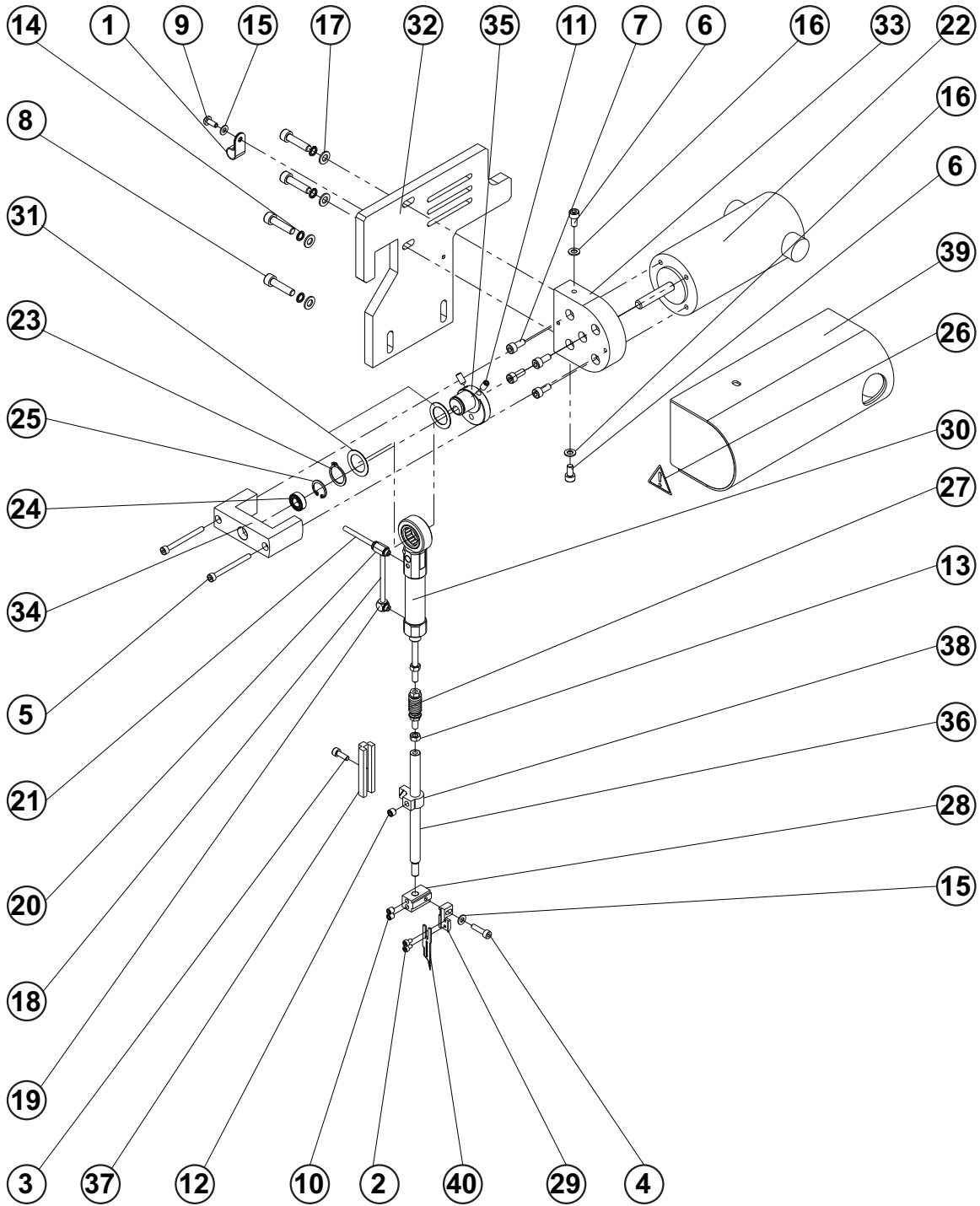
TOP THREAD TRIMMER ASSEMBLY



TOP THREAD TRIMMER ASSEMBLY

DET	PART NUMBER	DESCRIPTION	QTY.
01	08.6002.3.008	SCREW M3-8	1
02	08.6002.3.050	SCREW M3-50	2
03	08.6002.5.012	SCREW M5-12	2
04	08.6132.4.010	SCREW M4x10	2
05	08.6202.4.006	SCREW M4-6	1
06	08.6312.5.016	SCREW M5x16	2
07	08.6402.4.008	SCREW M4-8	4
08	08.6802.3.000	SPRING WASHER M3	1
09	08.6842.5.000	WASHER 5	4
10	12.0008.3.416	AIR TUBE	
11	12.0010.3.016	CYLINDER	1
12	12.0010.3.028	CONNECTOR	2
13	12.0010.3.080	AIR TUBE- J13A	
14	68.0231.0.600	TOP THREAD TRIMMER BODY	1
15	68.0233.0.800	KNIFE GUARD	1
16	68.0235.0.300	ROD CYLINDER	1
17	68.0236.0.800	HOLDER	1
18	See page 3-97	KNIFE GUARD	1
19	See page 3-97	TOP THREAD TRIMMER	1
20	See page 3-97	INSIDE KNIFE	1
21	See page 3-97	OUTSIDE SPRING	1

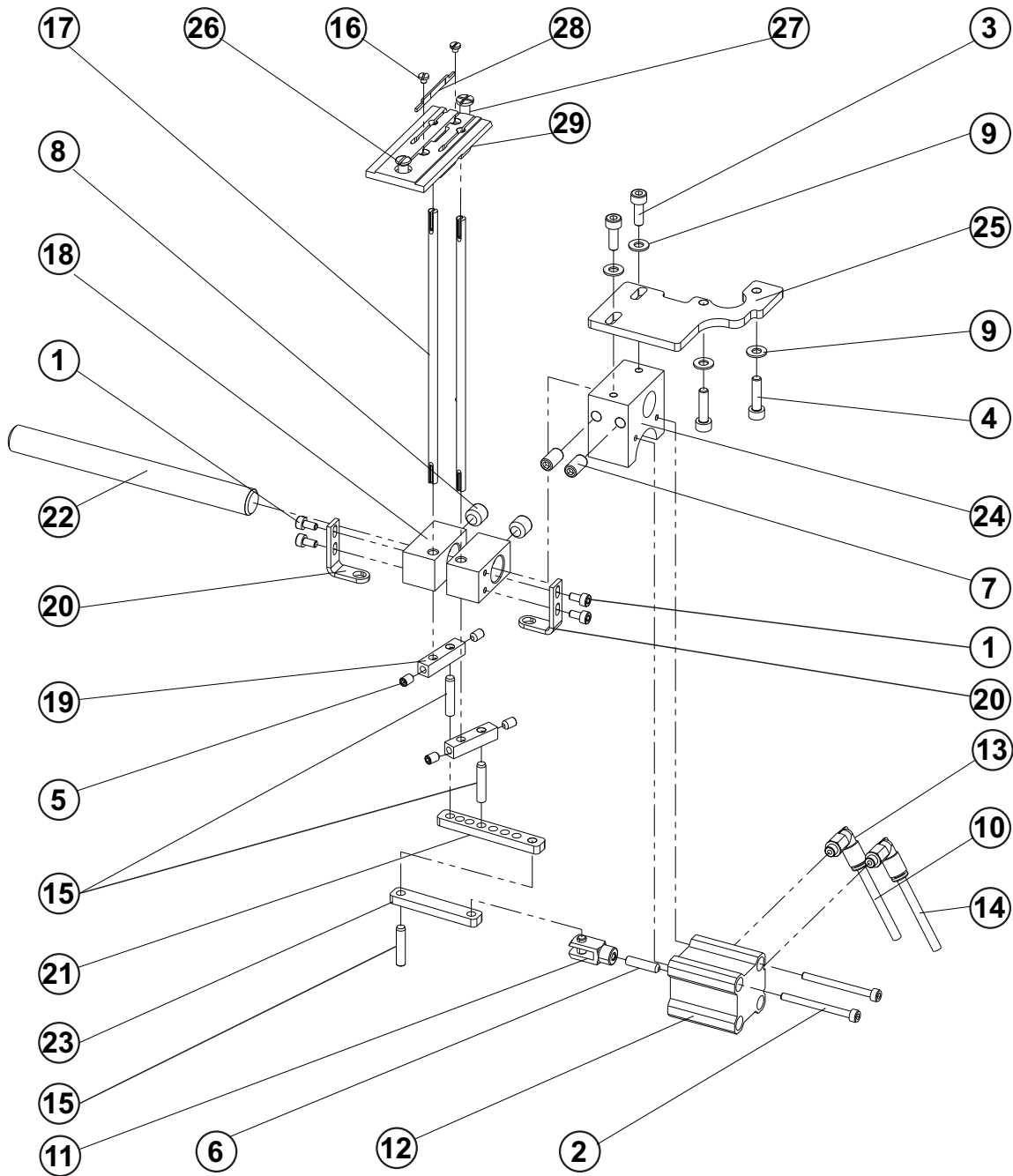
CENTER KNIFE SECTION



CENTER KNIFE SECTION

DET	PART NUMBER	DESCRIPTION	QTY.
01	07.6600.0.004	CLAMP CABLE	1
02	08.6002.3.004	SCREW M3-4	2
03	08.6002.4.012	SCREW M4-12	1
04	08.6002.4.016	SCREW M4-16	1
05	08.6002.4.045	SCREW M4-45	2
06	08.6002.5.010	SCREW M5-10	2
07	08.6002.5.012	SCREW M5-12	4
08	08.6002.6.025	SCREW M6-25	4
09	08.6032.4.010	SCREW M4-10	1
10	08.6402.5.006	SCREW M5-6	2
11	08.6402.5.010	SCREW M5-10	2
12	08.6402.6.006	SCREW M6-6	1
13	08.6702.5.000	NUT M5	1
14	08.6802.6.000	SPRING WASHER M6	4
15	08.6852.4.000	WASHER M4	2
16	08.6852.5.000	WASHER 5,3	2
17	08.6852.6.000	WASHER 6,4	4
18	12.0008.3.416	AIR TUBE- J12B	1
19	12.0008.3.444	CONNECTOR	1
20	12.0010.3.027	CONNECTOR	1
21	12.0010.3.080	AIR TUBE- J12A	1
22	06.6800.0.062	CENTER KNIFE MOTOR	1
23	12.1045.1.017	CIRCLIP 17x1	1
24	12.2010.0.037	BEARING	1
25	17.0027.4.129	RETAINING RING 16	1
26	17.0097.5.174	LABEL- WARNING	1
27	68.0113.0.050	FLOATING JOINT	1
28	68.0114.0.600	BRACKET	1
29	68.0115.0.600	KNIFE BRACKET	1
30	68.0118.0.000	CENTER KNIFE CYLINDER	1
31	68.0119.0.100	WASHER 17x25-0,5	2
32	68.0130.0.800	PLATE	1
33	68.0131.0.600	MOTOR BRACKET	1
34	68.0132.0.600	HOLDER	1
35	68.0133.0.400	ECCENTRIC	1
36	68.0134.0.300	BAR	1
37	68.0135.0.600	GUIDE	1
38	68.0136.0.600	GUIDE BAR	1
39	68.0138.0.000	MOTOR COVER	1
40	69.0052.0.000	CENTER KNIFE	1

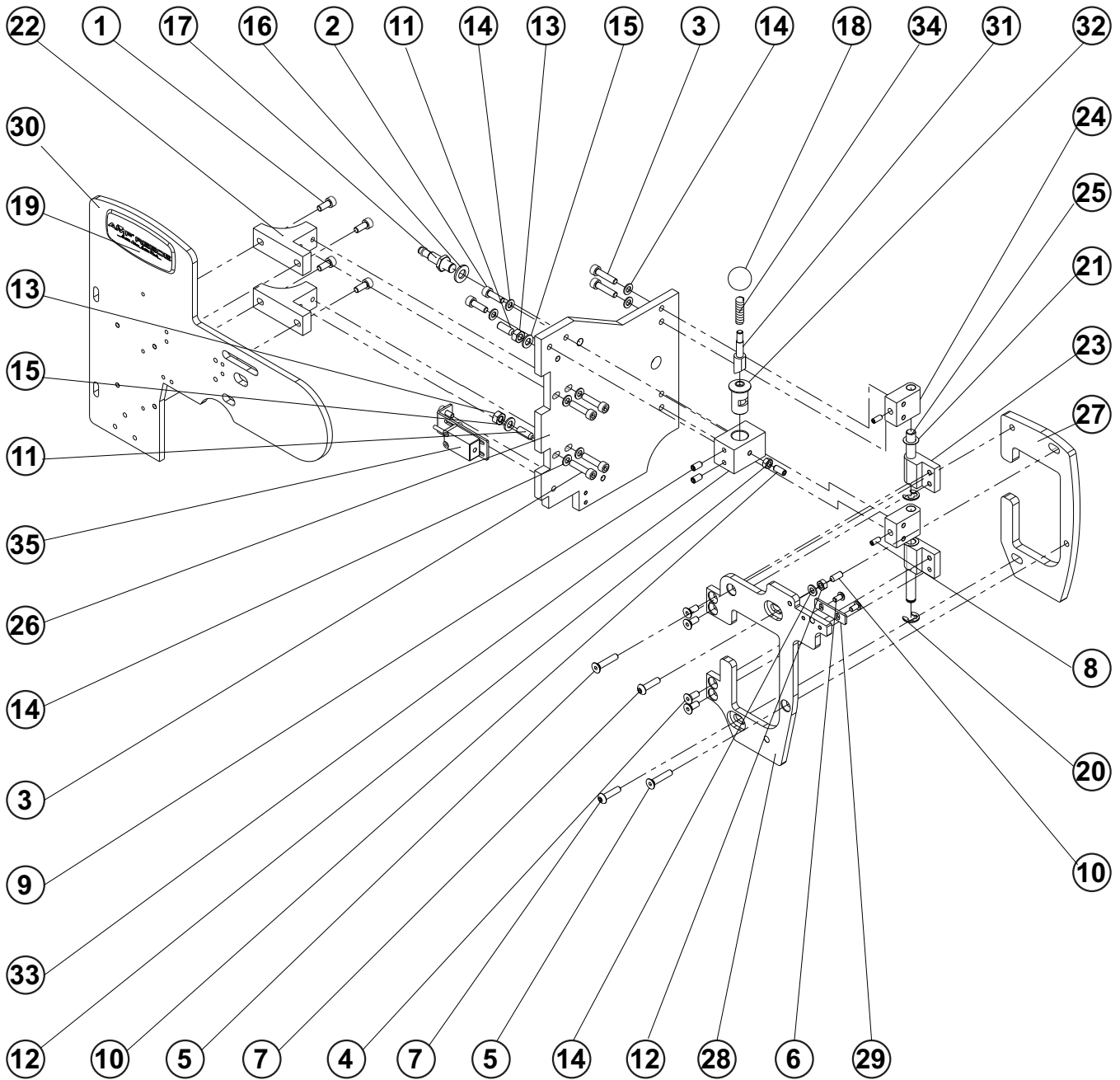
UNDER THREAD TRIMMER SECTION



UNDER THREAD TRIMMER SECTION

DET	PART NUMBER	DESCRIPTION	QTY.
01	08.6002.3.006	SCREW M3-6	4
02	08.6002.3.035	SCREW M3-35	2
03	08.6002.4.012	SCREW M4-12	2
04	08.6002.4.025	SCREW M4-25	2
05	08.6402.4.006	SCREW M4-6	4
06	08.6402.4.016	SCREW M4-16	1
07	08.6402.6.012	SCREW M6-12	2
08	08.6402.8.008	SCREW M8-8	2
09	08.6852.4.000	WASHER M4	4
10	12.0008.3.416	AIR TUBE- J14B	
11	12.0008.3.738	KNUCKLE	1
12	12.0010.3.021	CYLINDER	1
13	12.0010.3.028	CONNECTOR	2
14	12.0010.3.080	AIR TUBE- J14A	
15	12.1010.2.032	PIN	3
16	17.0012.0.688	SCREW M2,5-2,5	2
17	68.0070.0.300	CUTTING AXLE	2
18	68.0071.0.600	CUBE	2
19	68.0072.0.600	HOLDING PART	2
20	68.0073.0.800	SIDE STOP	2
21	68.0074.0.800	CONNECTING ROD	1
22	68.0075.0.300	BAR	1
23	68.0076.0.800	CONNECTING ROD	1
24	68.0077.0.600	HOLDER	1
25	68.0078.0.800	HOLDER	1
26	68.0175.0.100	SCREW	1
27	68.0176.0.100	SCREW	1
28	69.0010.0.004	KNIFE	1
29	See page 3-96	NEEDLE PLATE	1

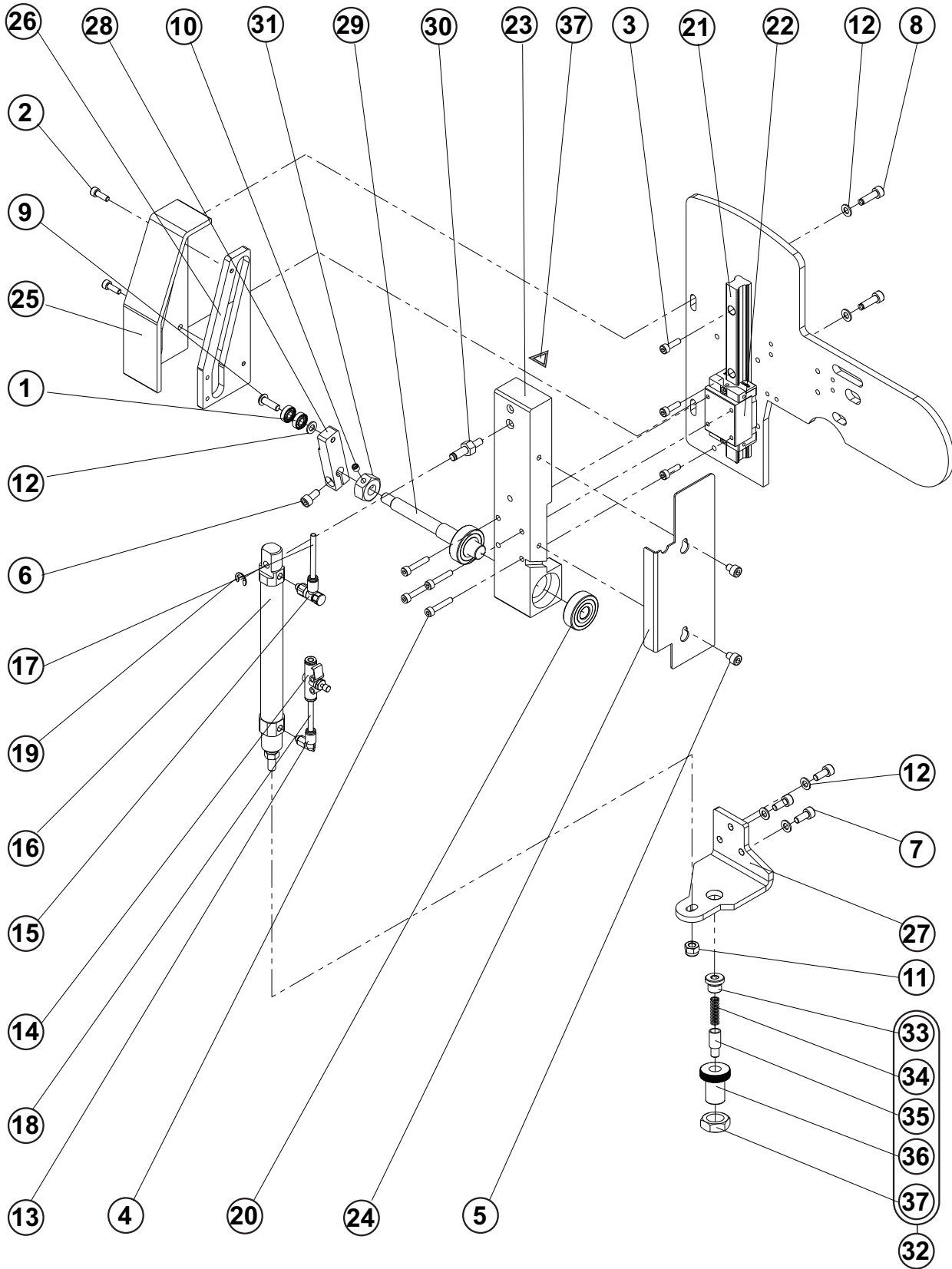
FRONT OF HEAD SECTION-BASE



FRONT OF HEAD SECTION-BASE

DET	PART NUMBER	DESCRIPTION	QTY.
01	08.6002.5.012	SCREW M5-12	4
02	08.6002.5.016	SCREW M5-16	2
03	08.6002.5.022	SCREW M5-22	8
04	08.6102.5.012	SCREW M5-12	4
05	08.6102.5.025	SCREW M5-25	2
06	08.6202.4.008	SCREW M4-8	2
07	08.6202.5.020	SCREW M5-20	2
08	08.6400.4.010	SCREW M4-10	2
09	08.6402.5.010	SCREW M5-10	2
10	08.6402.5.012	SCREW M5-12	2
11	08.6412.6.016	SCREW M6-16	2
12	08.6702.5.000	NUT M5	2
13	08.6702.6.000	NUT M6	2
14	08.6852.5.000	WASHER 5,3	11
15	08.6852.6.000	WASHER 6,4	2
16	08.6852.8.000	WASHER M8	1
17	12.0010.4.093	SENSOR	1
18	12.0010.6.212	ROD END	1
19	12.8000.0.436	LABEL	1
20	17.0027.4.085	LOCK RING 7	2
21	24.4068.0.003	WASHER	2
22	68.0145.0.600	ANGLE BRACKET	2
23	68.0146.0.600	HINGE	2
24	68.0147.0.600	HINGE	2
25	68.0148.0.300	HINGE PLUG	2
26	68.0150.1.800	BRACKET SHEET	1
27	68.0151.0.800	DISTANCE PLATE	1
28	68.0152.0.800	FRONT BRACKET	1
29	68.0156.0.800	STOP	1
30	68.0162.0.800	REMOVABLE BRACKET	1
31	68.0167.0.300	CATCH	1
32	68.0168.0.400	CATCH CASE	1
33	68.0169.0.600	CATCH BODY	1
34	68.0172.0.200	SPRING	1
35	68.0213.0.050	FLAP SENZOR ASSY.	1

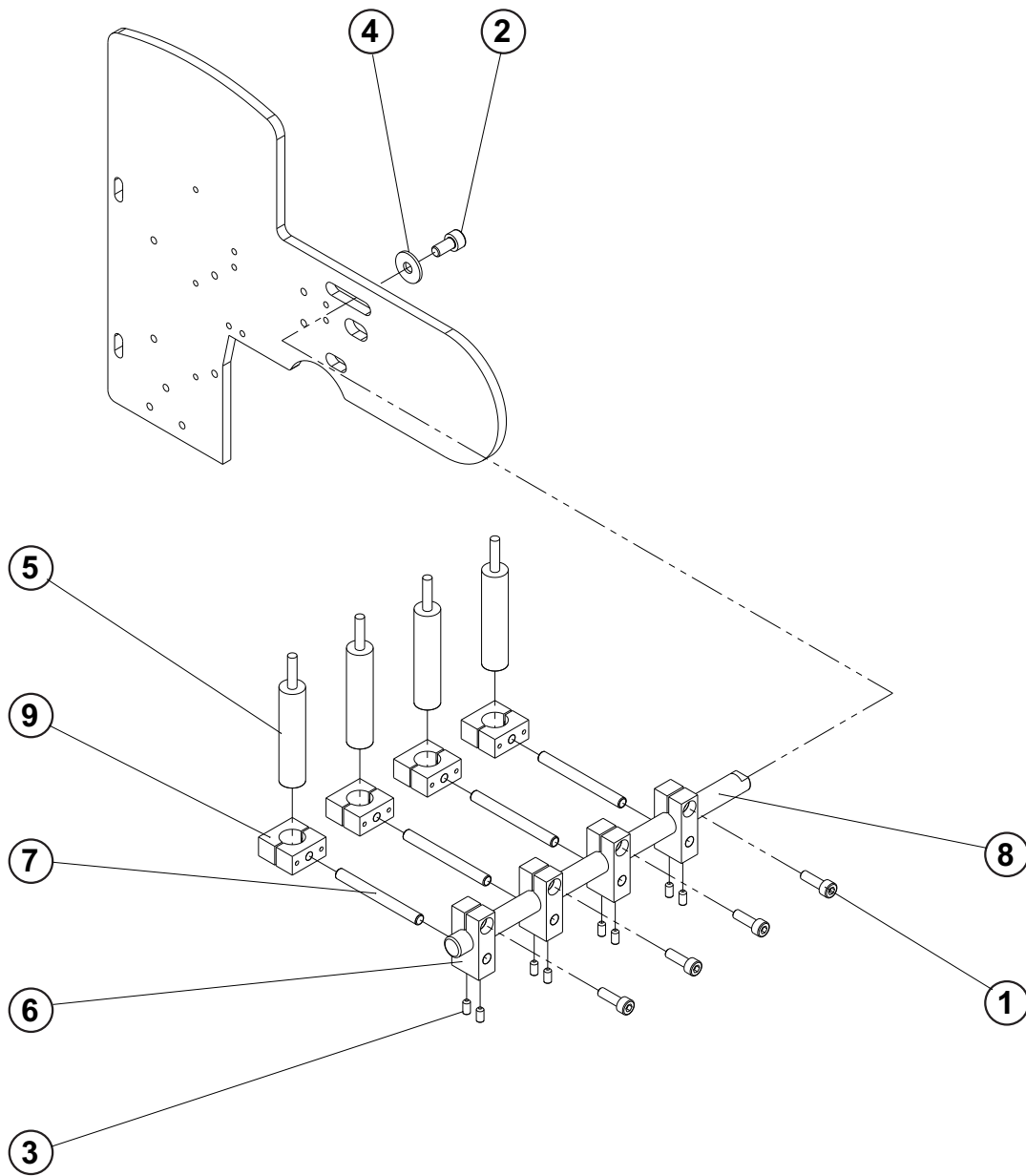
FRONT OF HEAD SECTION-PATCH GUIDE DRIVE



FRONT OF HEAD SECTION-PATCH GUIDE DRIVE

DET	PART NUMBER	DESCRIPTION	QTY.
01	07.6321.0.029	BEARING	2
02	08.6002.4.012	SCREW M4-12	2
03	08.6002.4.014	SCREW M4-14	3
04	08.6002.4.022	SCREW M4-22	4
05	08.6002.5.006	SCREW M5-6	2
06	08.6002.5.010	SCREW M5-10	1
07	08.6002.5.012	SCREW M5-12	3
08	08.6002.5.016	SCREW M5-16	2
09	08.6202.5.016	SCREW M5-16	1
10	08.6402.5.005	SCREW M5-5	1
11	08.6732.6.000	NUT M6	1
12	08.6852.5.000	WASHER 5,3	6
13	12.0010.3.028	CONNECTOR	1
14	12.0010.3.029	SPEED VALVE	1
15	12.0010.3.047	SPEED CONTR.	1
16	12.0010.3.069	CYLINDER	1
17	12.0010.3.080	AIR TUBE- J10A	1
18	12.0010.3.080	AIR TUBE- J9A	2
19	12.1045.0.005	E-CLIP 5	1
20	12.2010.0.000	BEARING	1
21	12.2070.1.067	LINEAR RAIL	1
22	12.2070.1.068	GUIDE	1
23	68.0149.0.600	HOLDER	1
24	68.0153.0.800	COVER	1
25	68.0154.0.600	COVER WITH GROOVE	1
26	68.0155.0.800	GROOVE DRIVER	1
27	68.0157.0.800	BRACKET	1
28	68.0163.0.600	ROLLER HOLDER	1
29	68.0164.0.300	SHAFT	1
30	68.0165.0.300	HINGE STUD	1
31	68.0166.0.100	NUT M10x1,25	1
32	68.0170.0.050	SHOCK ABSORBER	1
33	08.6072.0.308	SCREW	(1)
34	68.0173.0.200	SPRING	(1)
35	68.0171.0.300	PLUNGER	(1)
36	68.0170.0.300	STOP CASE	(1)
37	68.0174.0.100	NUT	(1)

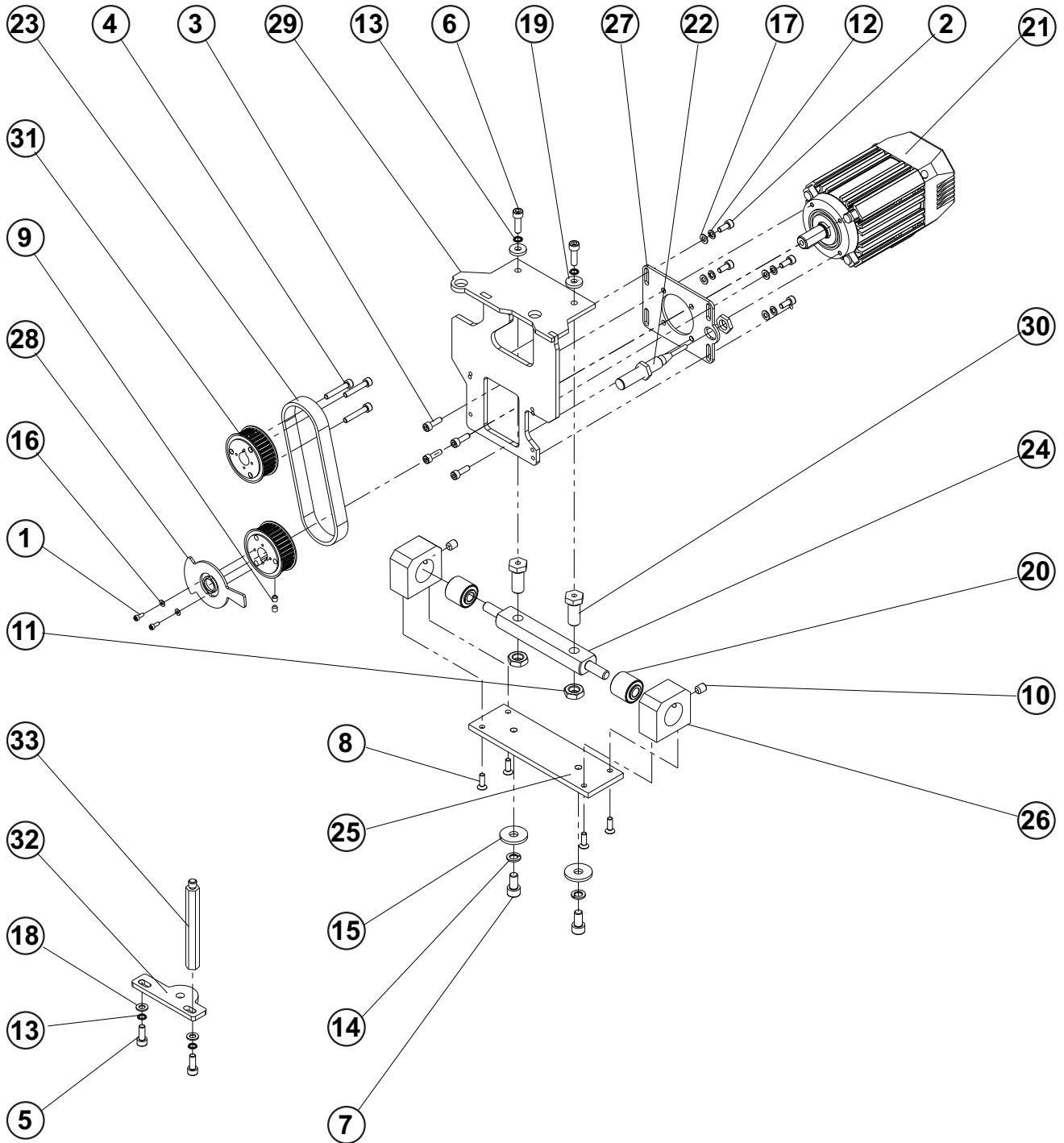
FRONT OF HEAD SECTION-LASER



FRONT OF HEAD SECTION-LASER

DET	PART NUMBER	DESCRIPTION	QTY.
01	08.6002.5.016	SCREW M5-16	4
02	08.6002.6.012	SCREW M6-12	1
03	08.6402.4.008	SCREW M4-8	8
04	08.6842.6.000	WASHER M6	1
05	06.6800.0.035	LASER	4
06	68.0158.0.600	HOLDER	4
07	68.0159.0.300	STUD	4
08	68.0161.0.300	SHAFT BRACKET	1
09	73.0302.0.600	LASER BRACKET	4

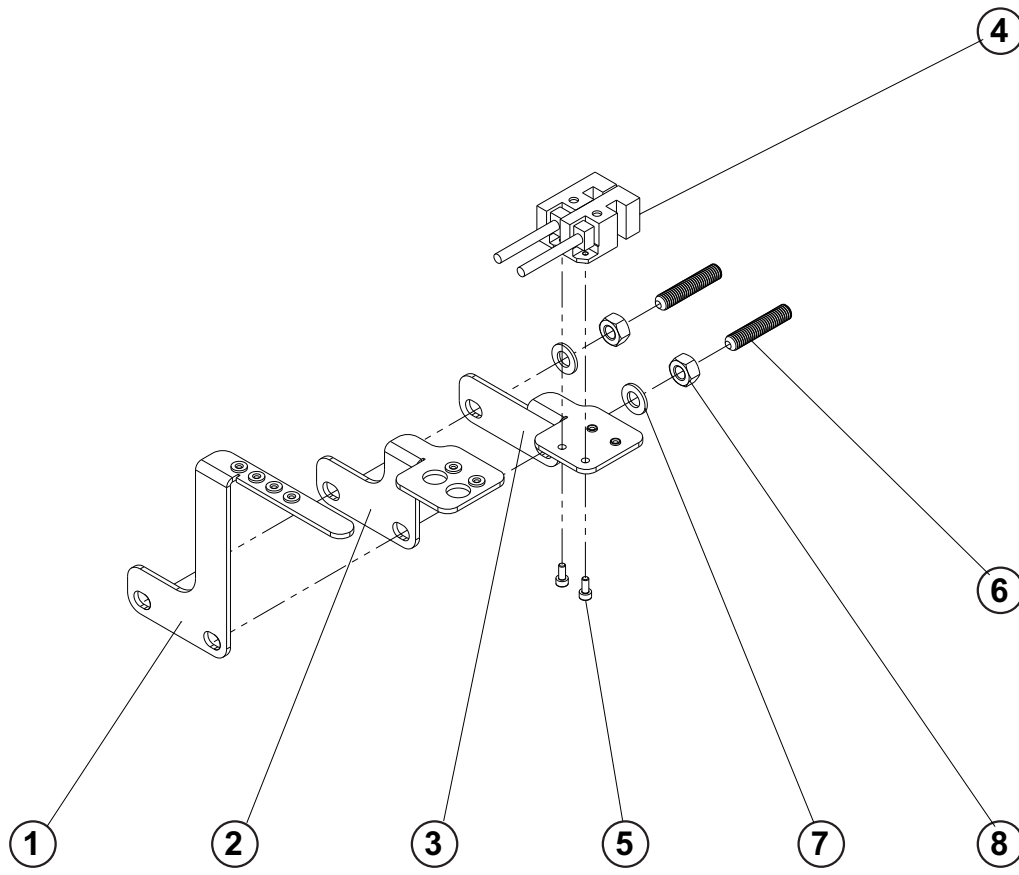
HEAD MOTOR SECTION



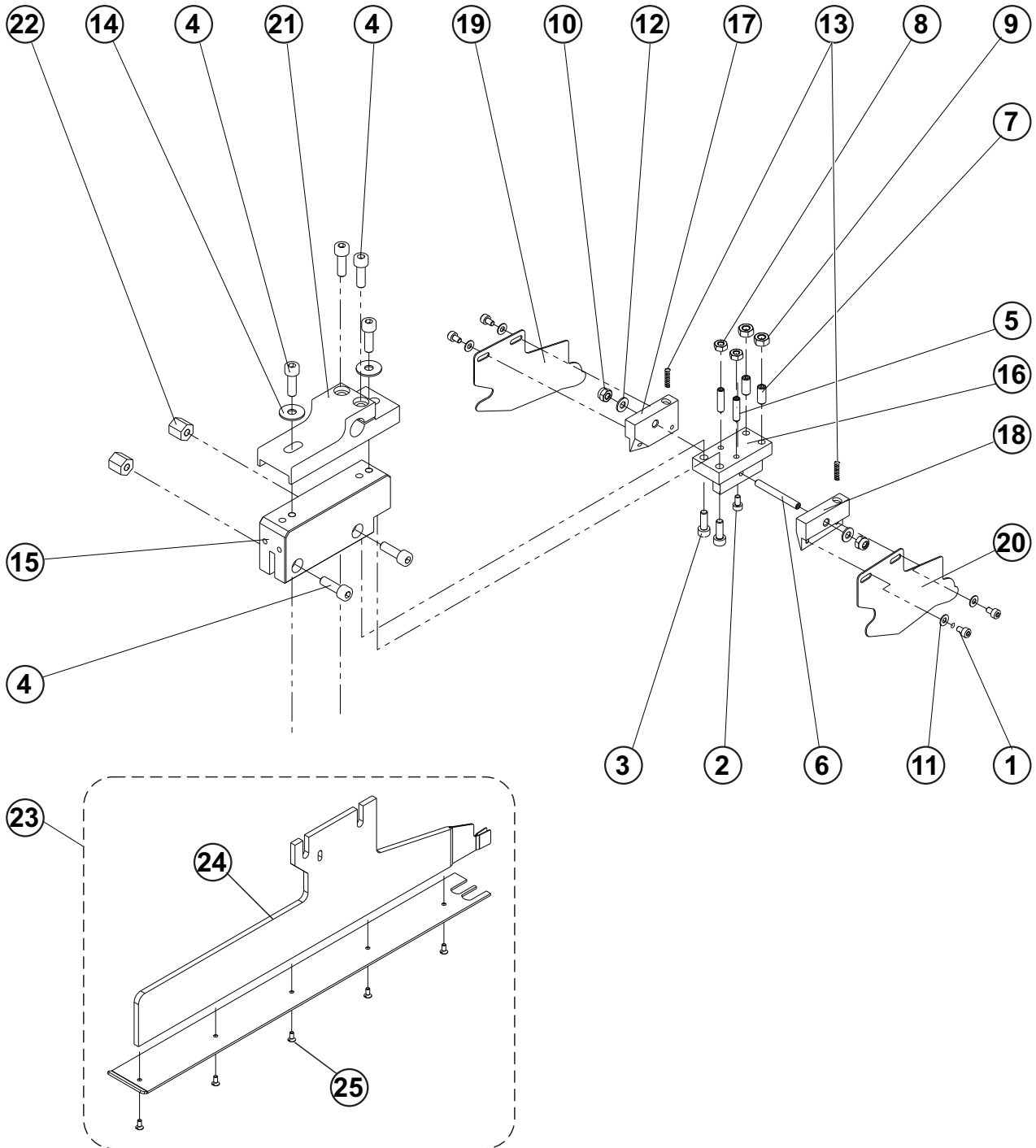
HEAD MOTOR SECTION

DET	PART NUMBER	DESCRIPTION	QTY.
01	08.6002.3.008	SCREW M3-8	2
02	08.6002.5.012	SCREW M5-12	4
03	08.6002.5.016	SCREW M5-16	4
04	08.6002.5.030	SCREW M5-30	3
05	08.6002.6.016	SCREW M6-16	2
06	08.6002.6.020	SCREW M6-20	2
07	08.6002.8.016	SCREW M8-16	2
08	08.6102.5.016	SCREW M5-16	4
09	08.6400.4.010	SCREW M5-6	1
10	08.6402.8.010	SCREW M8-10	2
11	08.6712.9.000	NUT M12	2
12	08.6802.5.000	SPRING WASHER M5	4
13	08.6802.6.000	SPRING WASHER M6	4
14	08.6802.8.000	SPRING WASHER M8	2
15	08.6842.8.000	WASHER M8	2
16	08.6852.3.000	WASHER M3	2
17	08.6852.5.000	WASHER 5,3	4
18	08.6852.6.000	WASHER 6,4	2
19	08.6892.6.000	WASHER M6	2
20	12.0008.6.818	VIBRATION-DAMPING BRONZE BEARING	2
21	12.0010.4.327	MOTOR EFKA	1
22	06.6800.0.021	SENSOR BQ1 ASSY./NEEDLE	1
23	12.5050.2.032	BELT	1
24	68.0120.0.300	CARRIER SHAFT	1
25	68.0121.0.800	BASE HINGE	1
26	68.0122.0.600	SIDE BRACKET	2
27	68.0125.0.800	MOTOR BASE-SHEET	1
28	68.0126.0.800	SENSOR PLATE	1
29	68.0127.0.000	MAIN MOTOR BRACKET	1
30	68.0128.0.300	SETTING SCREW	2
31	68.0129.0.500	PULLEY	2
32	68.0243.0.800	PLATE	1
33	68.0244.0.300	STUD	1

THREAD MONITOR



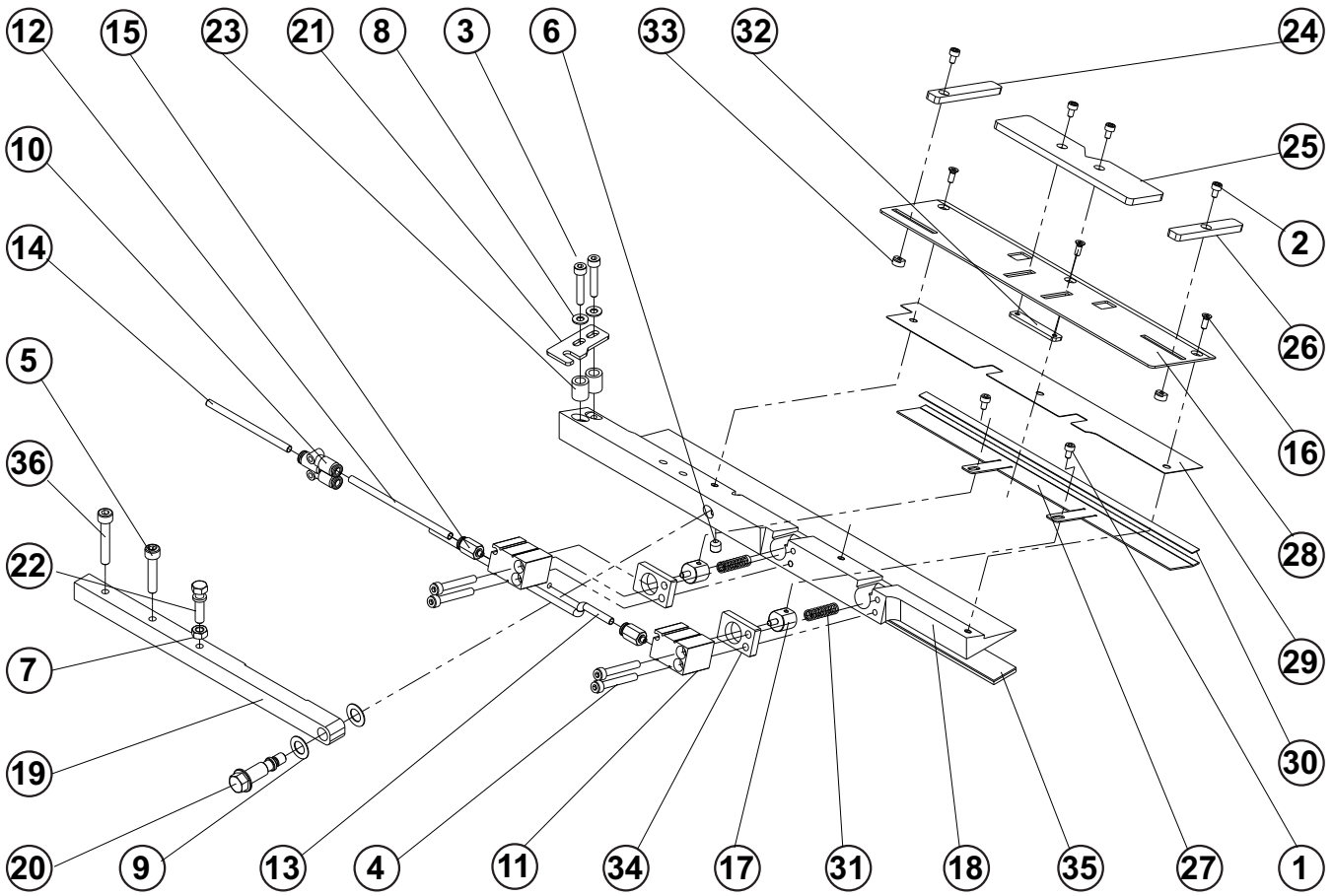
PATCH GUIDE ASSEMBLY



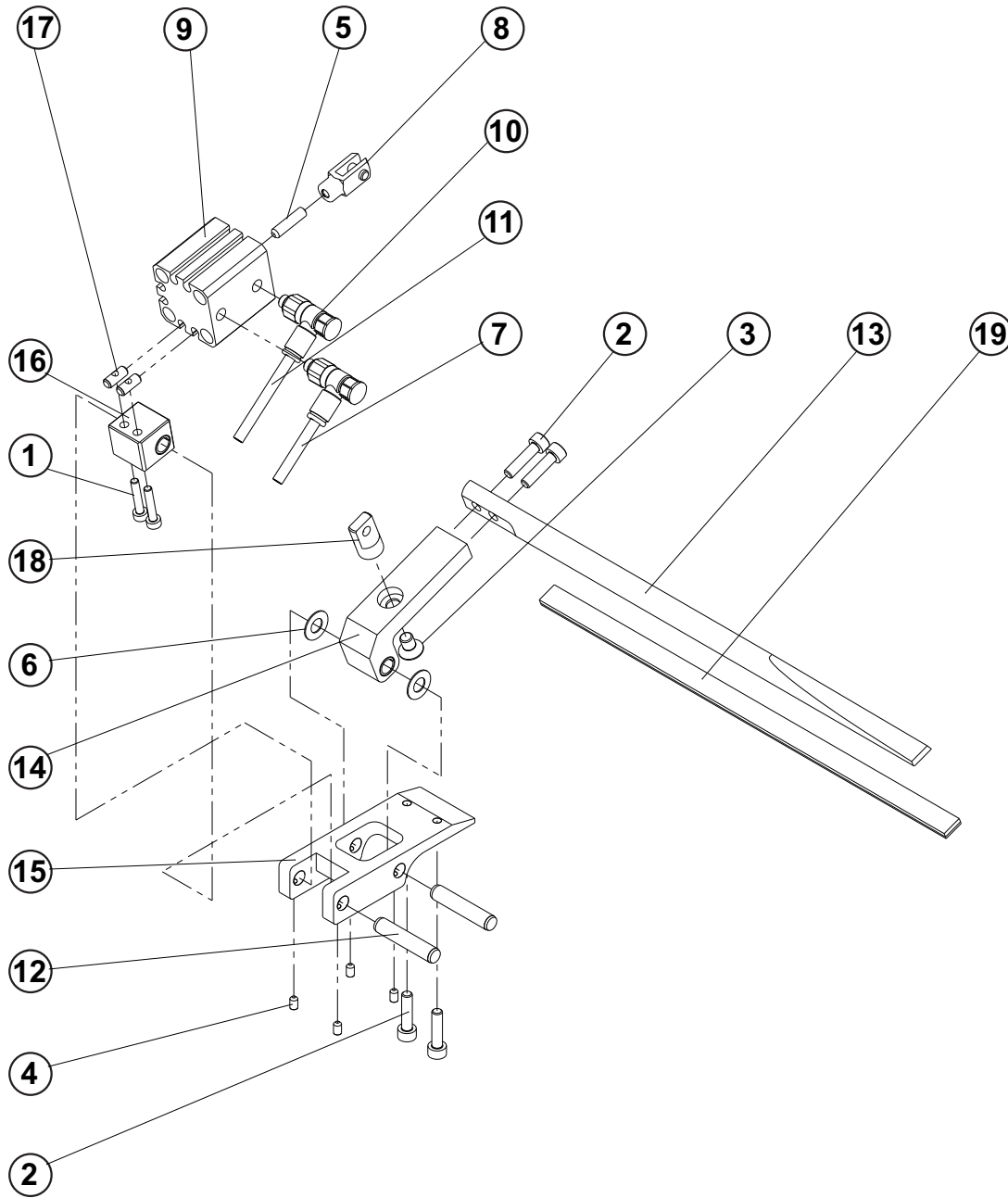
PATCH GUIDE ASSEMBLY

DET	PART NUMBER	DESCRIPTION	QTY.
01	08.6002.3.005	SCREW M3-5	4
02	08.6002.3.006	SCREW M3-6	1
03	08.6002.4.012	SCREW M4-12	2
04	08.6002.5.016	SCREW M5-16	6
05	08.6402.4.016	SCREW M4-16	2
06	08.6402.4.035	SCREW M4-35	1
07	08.6402.5.012	SCREW M5-12	2
08	08.6702.4.000	NUT M4	2
09	08.6702.5.000	NUT M5	2
10	08.6732.4.000	NUT M4	2
11	08.6852.3.000	WASHER M3	4
12	08.6852.4.000	WASHER M4	2
13	12.3010.0.025	SPRING	2
14	15.1142.0.400	WASHER 5/15	2
15	68.0104.0.600	CONNECTING PART	1
16	68.0105.0.600	PATCH GUIDE HOLDER	1
17	68.0106.0.600	HOLDER LEFT	1
18	68.0107.0.600	HOLDER RIGHT	1
19	68.0108.0.800	SLIDE PLATE LEFT	1
20	68.0109.0.800	SLIDE PLATE RIGHT	1
21	68.0110.1.600	FOOT SUPPORT JOINT	1
22	68.0144.0.100	DISTANCE NUT M5-10-OK10	2
23	See page 3-96	LOWER PATCH GUIDE ASSY.	-
24	68.0100.0.000	PATCH GUIDE UPPER	1
25	08.6112.7.006	SCREW M2,5-6	5

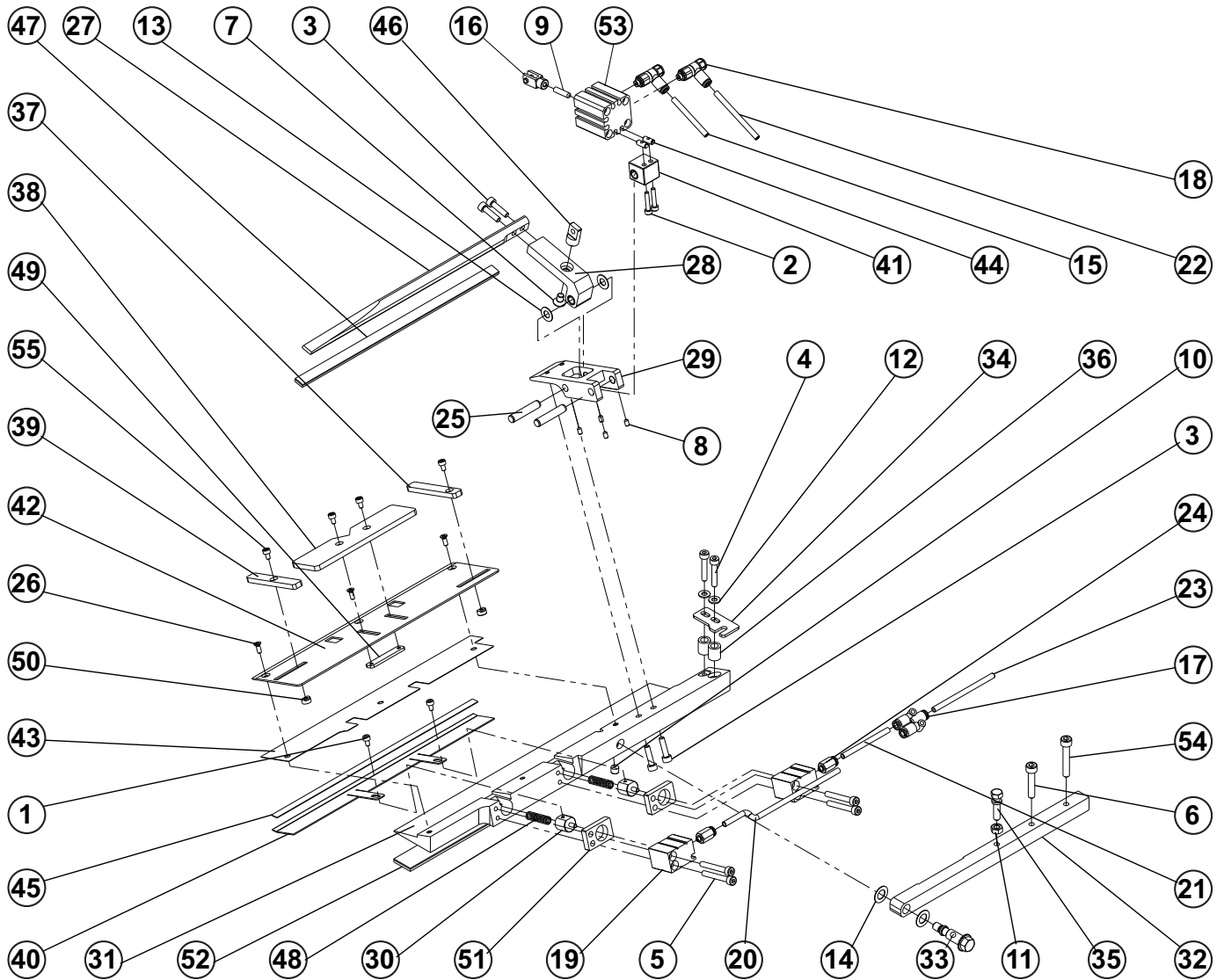
LEFT CLAMP SECTION-STANDARD



LEFT FLAP SECTION-FULL VERSION



RIGHT CLAMP SECTION-STANDARD

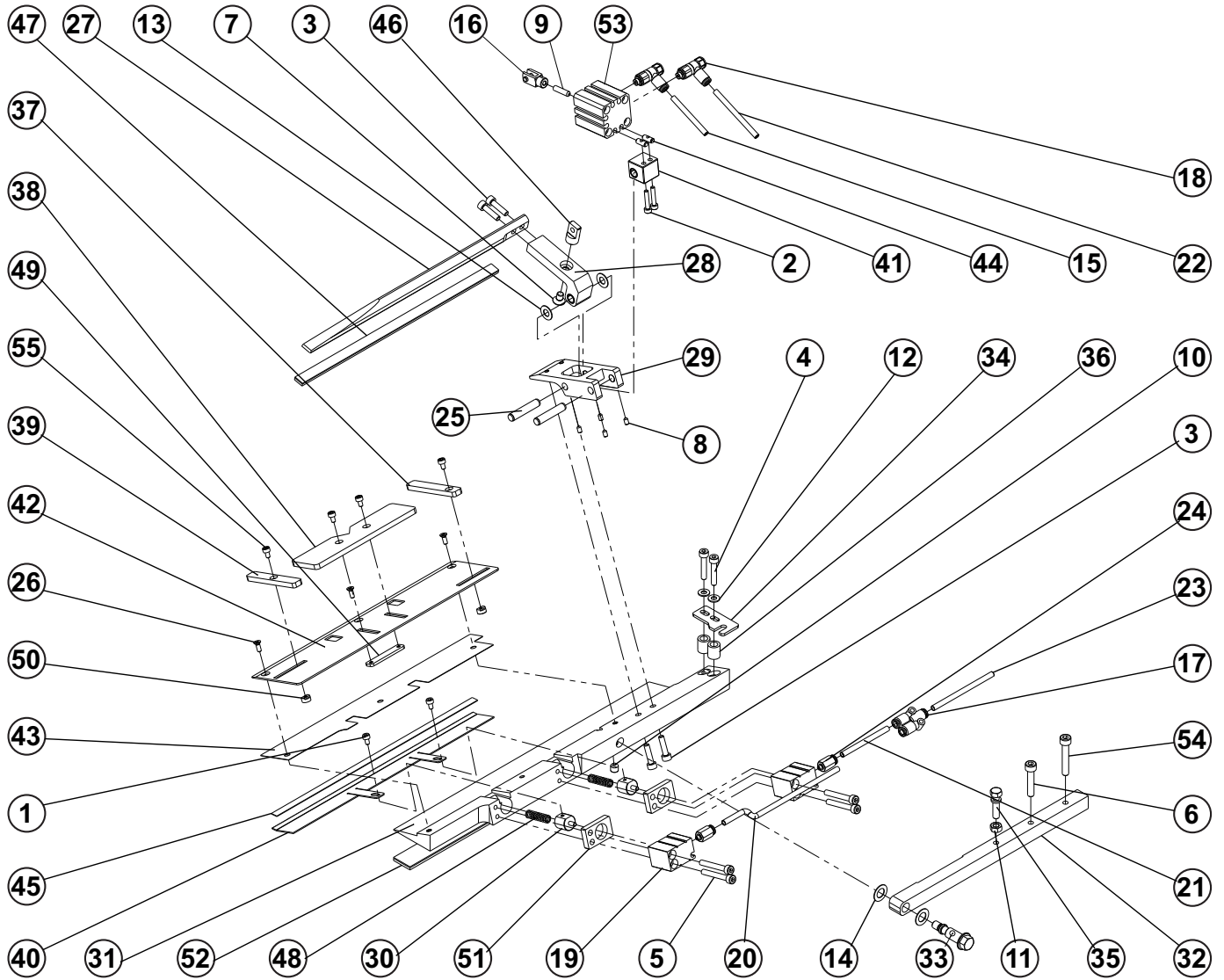


RIGHT CLAMP SECTION-STANDARD

DET	PART NUMBER	DESCRIPTION	QTY.
01	08.6002.3.004	SCREW M3-4	2
02	08.6002.3.016	SCREW M3-16	2
03	08.6002.4.016	SCREW M4-16	4
04	08.6002.4.022	SCREW M4-22	2
05	08.6002.4.030	SCREW M4-30	4
06	08.6002.5.025	SCREW M5-25	1
07	08.6102.5.008	SCREW M5-8	1
08	08.6402.3.005	SCREW M3-5	4
09	08.6402.4.016	SCREW M4-16	1
10	08.6402.6.006	SCREW M6-6	1
11	08.6702.5.000	NUT M5	1
12	08.6852.4.000	WASHER M4	2
13	08.6887.6.500	WASHER 6x12-0,5	2
14	08.6887.8.000	WASHER 8x14-0,5	2
15	12.0008.3.416	AIR TUBE- J2B	
16	12.0008.3.738	KNUCKLE	1
17	12.0010.3.037	CONNECTOR	1
18	12.0010.3.047	SPEED CONTR.	2
19	12.0010.3.073	CYLINDER	2
20	12.0010.3.080	AIR TUBE- J6A1	
21	12.0010.3.080	AIR TUBE- J6A2	
22	12.0010.3.080	AIR TUBE- J2A	
23	12.0010.3.080	AIR TUBE- J6A	
24	12.0010.3.119	CONNECTOR	2
25	12.1010.2.035	PIN	2
26	15.1420.0.100	SCREW M3-8	3
27	68.0002.0.600	CLAMP RIGHT	1
28	68.0003.0.600	MOVING ARM	1
29	68.0004.0.600	BRACKET	1
30	68.0005.0.300	PLUNGER	2
31	68.0007.0.600	CLAMP BRACKET RIGHT	1
32	68.0008.0.600	CLAMP BRACKET	1
33	68.0009.0.300	BOLT	1
34	68.0010.0.800	PLATE	1
35	68.0011.0.300	ADJUSTING SCREW	1
36	68.0012.0.400	DISTANCE RING	2
37	68.0013.0.992	FLAP SIZE ADJUST. PART	1
38	68.0014.0.992	FLAP SIZE ADJUST. PART	1
39	68.0015.0.992	FLAP SIZE ADJUST. PART	1
40	68.0016.0.800	MOVING BAR	1
41	68.0017.0.600	HOLDER	1
42	68.0019.0.800	FLAT PLATE RIGHT	1
43	68.0020.0.800	METAL STRIP	1
44	68.0021.0.300	STUD	2
45	68.0022.0.992	REFLEX TAPE	1



RIGHT CLAMP SECTION-STANDARD

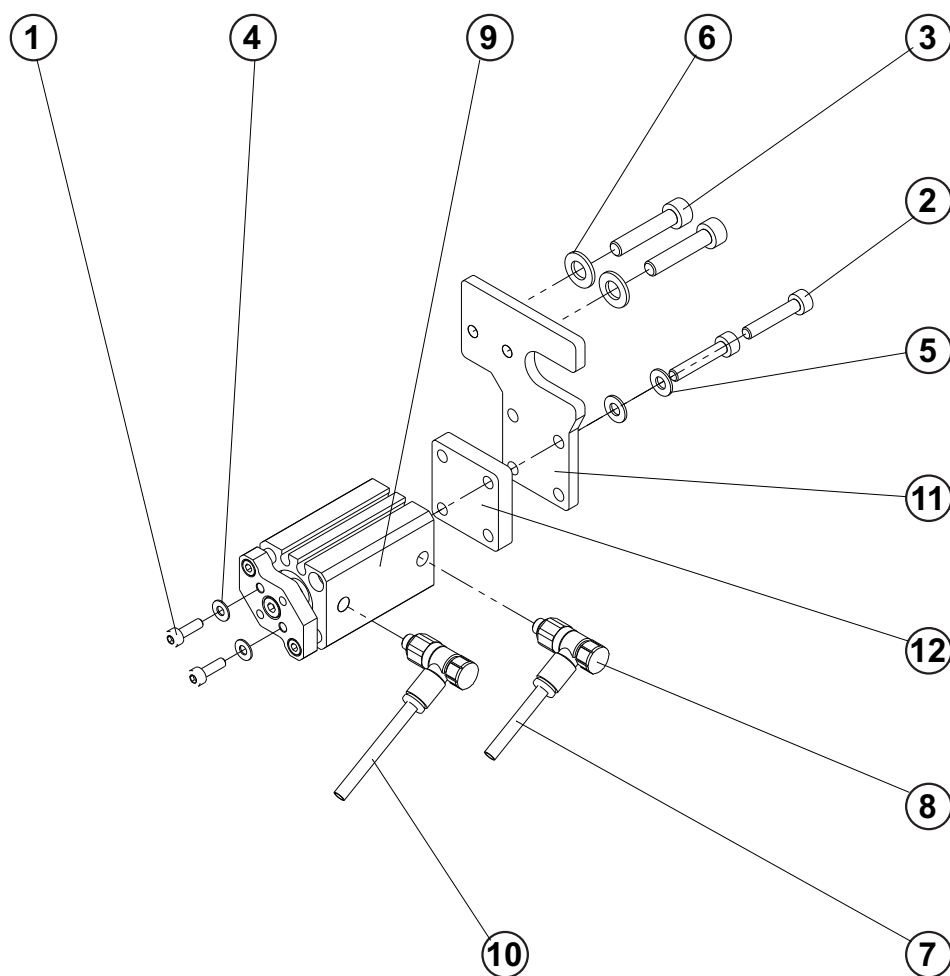


RIGHT CLAMP SECTION-STANDARD



DET	PART NUMBER	DESCRIPTION	QTY.
46	68.0023.0.300	KNUCKLE NUT	1
47	68.0024.0.990	RUBBER STRIP	1
48	68.0025.0.200	SPRING	2
49	68.0026.0.800	NUT PLATE	1
50	68.0027.0.300	NUT	2
51	68.0028.0.800	PLATE	2
52	68.0029.0.990	RUBBER STRIP	1
53	12.0008.3.822	CYLINDER	1
54	08.6002.5.030	SCREW M5-30	1
55	08.6002.3.005	SCREW M3-5	4

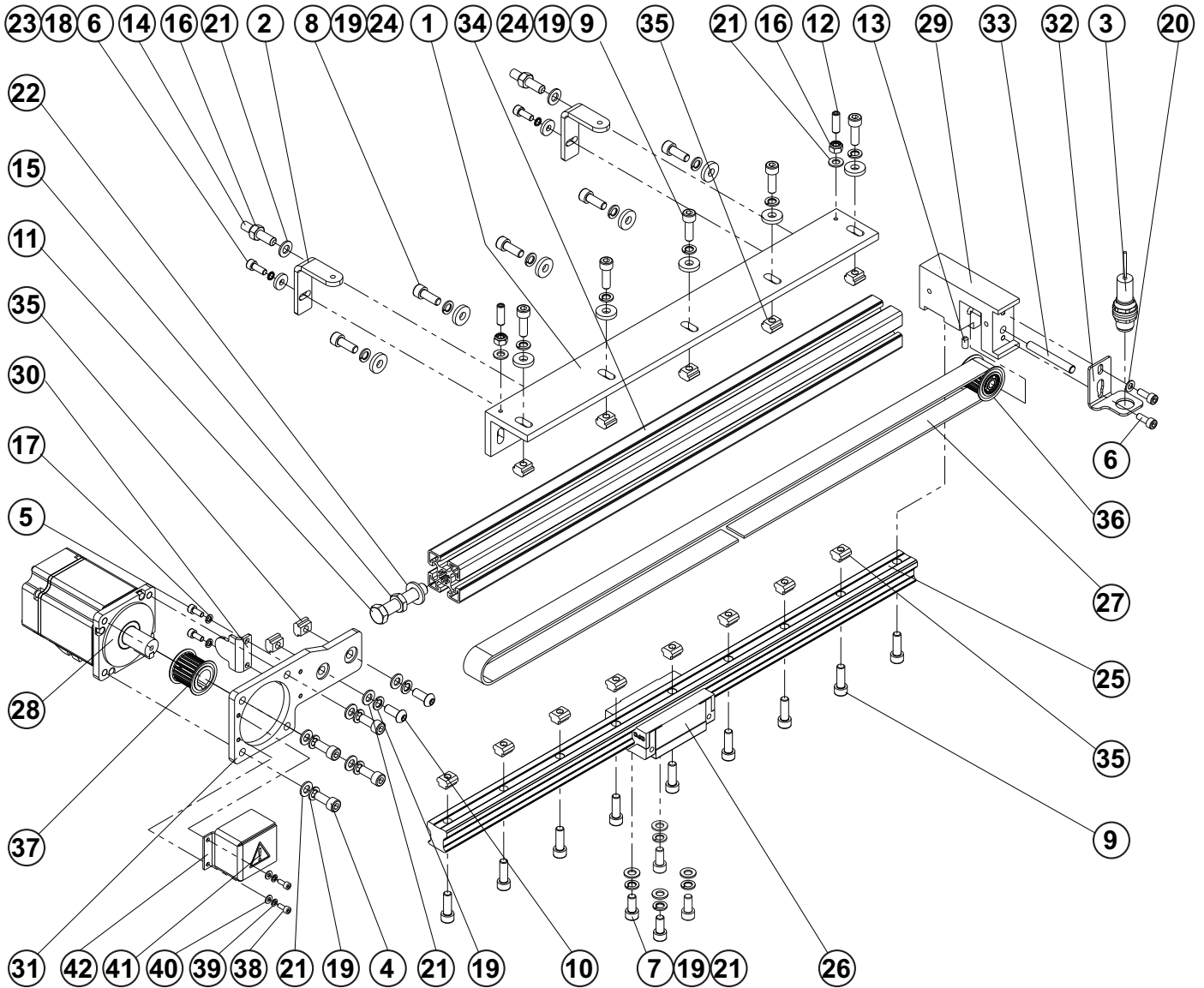
CLAMP CARRIER-SPREADER RIGHT



CLAMP CARRIER-SPREADER RIGHT

DET	PART NUMBER	DESCRIPTION	QTY.
01	08.6002.3.010	SCREW M3-10	2
02	08.6002.4.022	SCREW M4-22	2
03	08.6002.5.025	SCREW M5-25	2
04	08.6852.3.000	WASHER M3	2
05	08.6852.4.000	WASHER M4	2
06	08.6852.6.000	WASHER 6,4	2
07	12.0008.3.416	AIR TUBE- J6B2	
08	12.0010.3.047	SPEED CONTR.	2
09	12.0010.3.077	CYLINDER	1
10	12.0010.3.080	AIR TUBE- J6A2	
11	68.0040.0.800	HOLDER	1
12	68.0214.0.800	DISTANCE PLATE	1

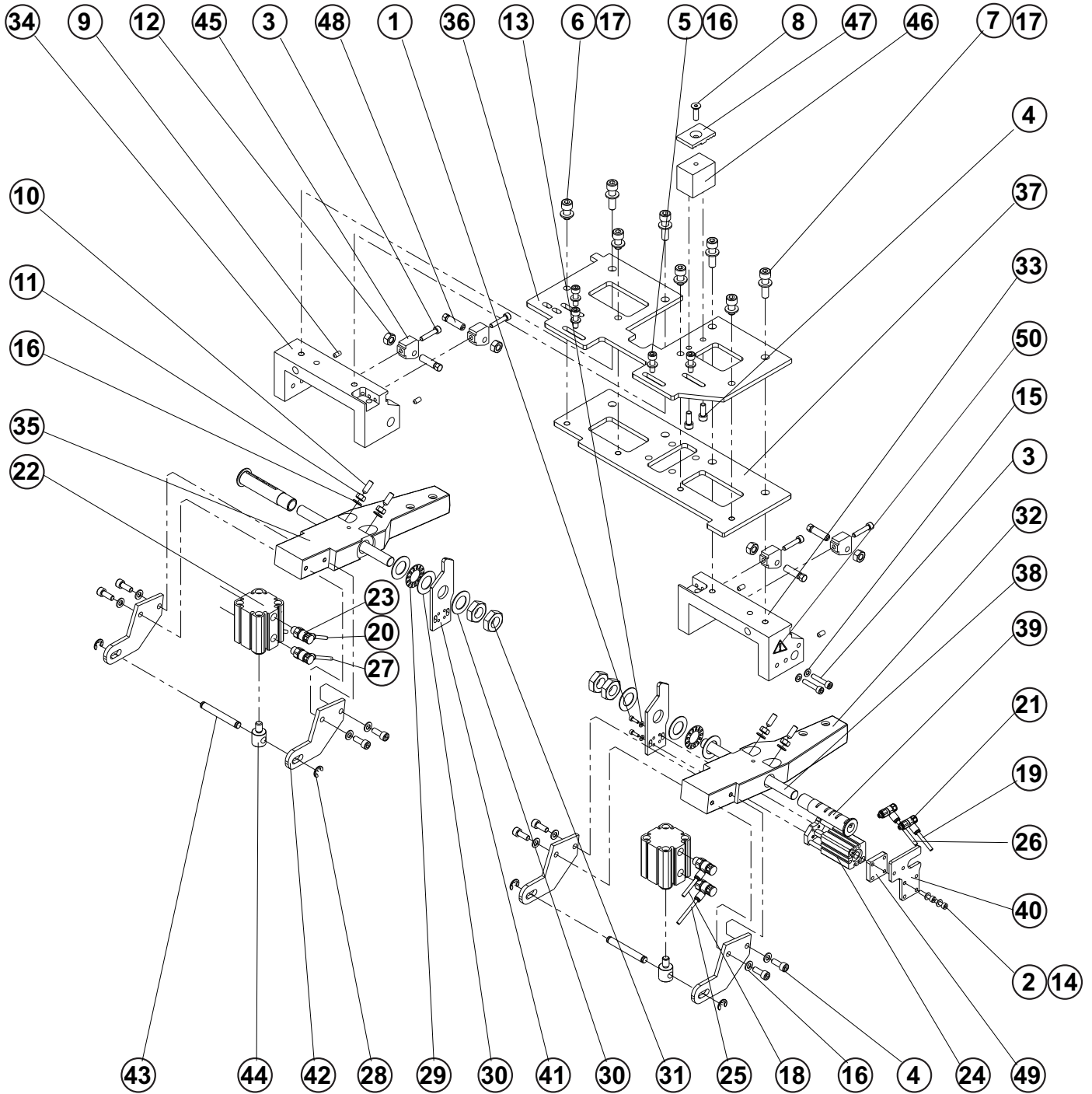
CLAMP CARRIER SECTION-DRIVE AND GUIDE



CLAMP CARRIER SECTION-DRIVE AND GUIDE

DET	PART NUMBER	DESCRIPTION	QTY.
01	04.9068.0.370	BRACKET	1
02	04.9068.0.371	PLEXI HOLDER	2
03	06.6800.0.028	SENSOR BQ8 ASSY./STACKER	1
04	08.6000.8.420	SCREW M8x1-20	4
05	08.6002.5.012	SCREW M5-12	2
06	08.6002.6.016	SCREW M6-16	4
07	08.6002.8.018	SCREW M8-18	4
08	08.6002.8.022	SCREW M8-22	5
09	08.6002.8.025	SCREW M8-25	14
10	08.6202.8.020	SCREW M8-20	2
11	08.6312.9.060	SCREW M12x60	1
12	08.6400.8.025	SCREW M8-25	2
13	08.6402.6.012	SCREW M6-12	1
14	08.6402.8.040	SCREW M8-40	2
15	08.6712.9.000	NUT M12	1
16	08.6733.8.000	NUT M8 DIN 985	4
17	08.6802.5.000	SPRING WASHER M5	2
18	08.6802.6.000	SPRING WASHER M6	2
19	08.6802.8.000	SPRING WASHER M8	20
20	08.6852.6.000	WASHER 6,4	1
21	08.6852.8.000	WASHER M8	14
22	08.6852.9.000	WASHER M12	1
23	08.6892.6.000	WASHER M6	2
24	08.6892.8.000	WASHER M8	10
25	12.2070.1.072	RAIL	1
26	12.2070.1.073	GUIDE	1
27	12.5050.2.033	BELT	
28	15.1144.0.000	SERVOMOTOR SMARTSTEP	1
29	68.0037.0.600	BRACKET	1
30	68.0046.0.800	PLATE	1
31	68.0047.0.800	BRACKET	1
32	68.0050.0.800	BRACKET	1
33	68.0051.0.300	SHAFT	1
34	68.0111.0.600	AL PROFILE	1
35	68.0222.0.100	T-SLOT NUT M8	15
36	68.0245.0.000	PULLEY	1
37	68.0246.0.500	MOTOR PULLEY	1
38	08.6002.4.010	SCREW M4-10	2
39	08.6802.4.000	SPRING WASHER M4	2
40	08.6852.4.000	WASHER M4	2
41	17.0097.5.174	LABEL - WARNING	1
42	68.0391.0.800	PULLEY COVER	1

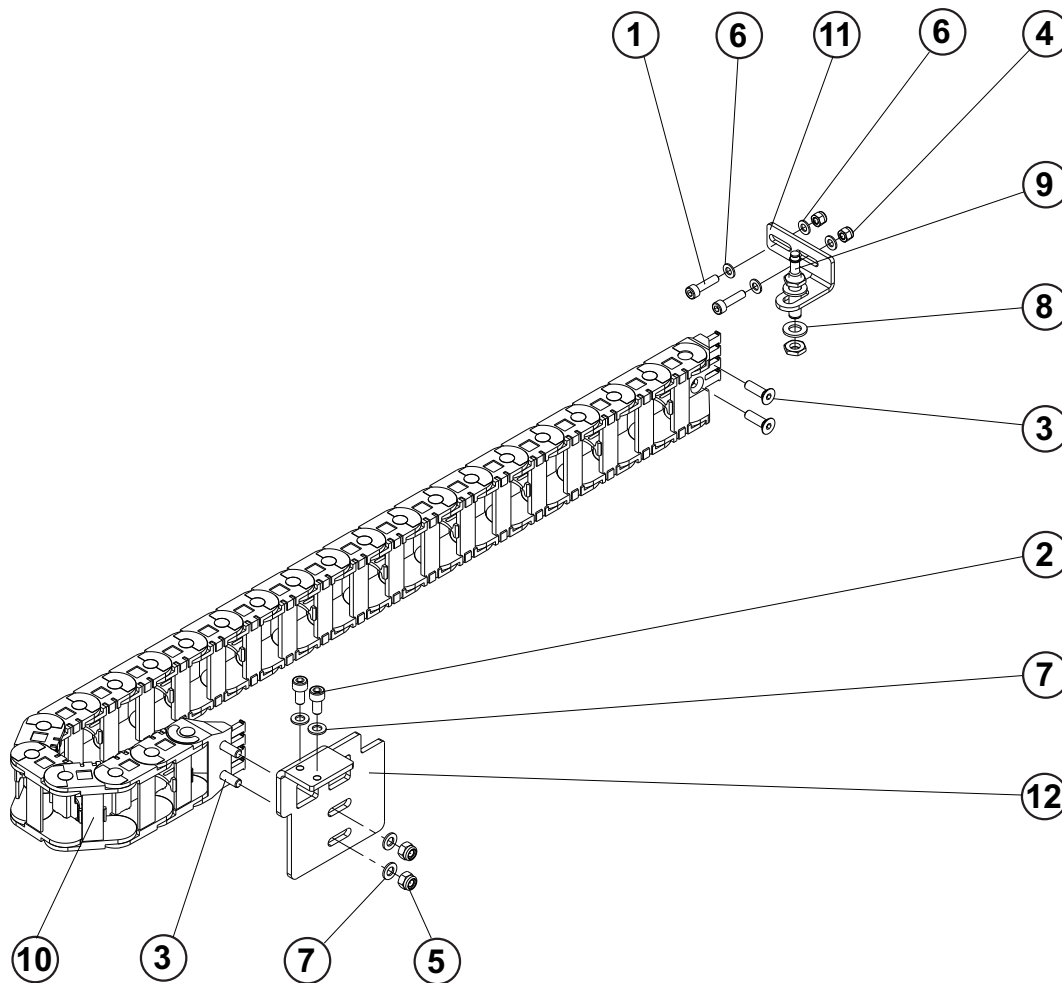
CLAMP CARRIER SECTION-CLAMP ARM



CLAMP CARRIER SECTION-CLAMP ARM

DET	PART NUMBER	DESCRIPTION	QTY.
01	08.6002.3.010	SCREW M3-10	2
02	08.6002.4.020	SCREW M4-20	2
03	08.6002.5.025	SCREW M5-25	6
04	08.6002.6.016	SCREW M6-16	10
05	08.6002.6.020	SCREW M6-20	4
06	08.6002.8.016	SCREW M8-16	4
07	08.6002.8.030	SCREW M8-30	4
08	08.6102.6.020	SCREW M6-20	1
09	08.6402.5.010	SCREW M5-10	4
10	08.6402.6.016	SCREW M6-16	4
11	08.6702.6.000	NUT M6	4
12	08.6702.8.000	NUT M8	4
13	08.6852.3.000	WASHER M3	2
14	08.6852.4.000	WASHER M4	2
15	08.6852.5.000	WASHER 5,3	2
16	08.6852.6.000	WASHER 6,4	16
17	08.6852.8.000	WASHER M8	8
18	12.0008.3.416	AIR TUBE- J3B	
19	12.0008.3.416	AIR TUBE- J6B1	
20	12.0008.3.416	AIR TUBE- J4B	
21	12.0010.3.047	SPEED CONTR.	2
22	12.0010.3.075	CYLINDER	2
23	12.0010.3.076	SPEED VALVE	4
24	12.0010.3.077	CYLINDER	1
25	12.0010.3.080	AIR TUBE- J3A	
26	12.0010.3.080	AIR TUBE- J6A1	
27	12.0010.3.080	AIR TUBE- J4A	
28	12.1045.0.007	RETAINER RING 7	4
29	12.2060.0.005	AXIAL BEARING	2
30	12.2099.5.001	AXIAL RING	6
31	68.0387.0.100	NUT M16	4
32	68.0031.0.600	BRACKET LEFT	1
33	68.0032.0.600	FIXING CLAMP LEFT	1
34	68.0033.0.600	FIXING CLAMP RIGHT	1
35	68.0034.0.600	BRACKET RIGHT	1
36	68.0035.0.800	BASE-SHEET	1
37	68.0036.0.800	BASE	1
38	68.0038.0.300	SHAFT	2
39	68.0039.0.400	BUSHING	2
40	68.0040.0.800	HOLDER	1
41	68.0041.0.800	CARRIER	2
42	68.0042.0.800	BRACKET WITH RUN	4
43	68.0043.0.300	GUIDE SHAFT	2
44	68.0044.0.300	ROD	2
45	68.0045.0.600	SIDE STOP	4
46	68.0048.0.600	BELT BRACKET	1
47	68.0049.0.600	FIXING PLATE	1
48	68.0052.0.100	SETTING SCREW	4
49	68.0214.0.800	DISTANCE PLATE	1
50	12.8000.0.409	LABEL	1

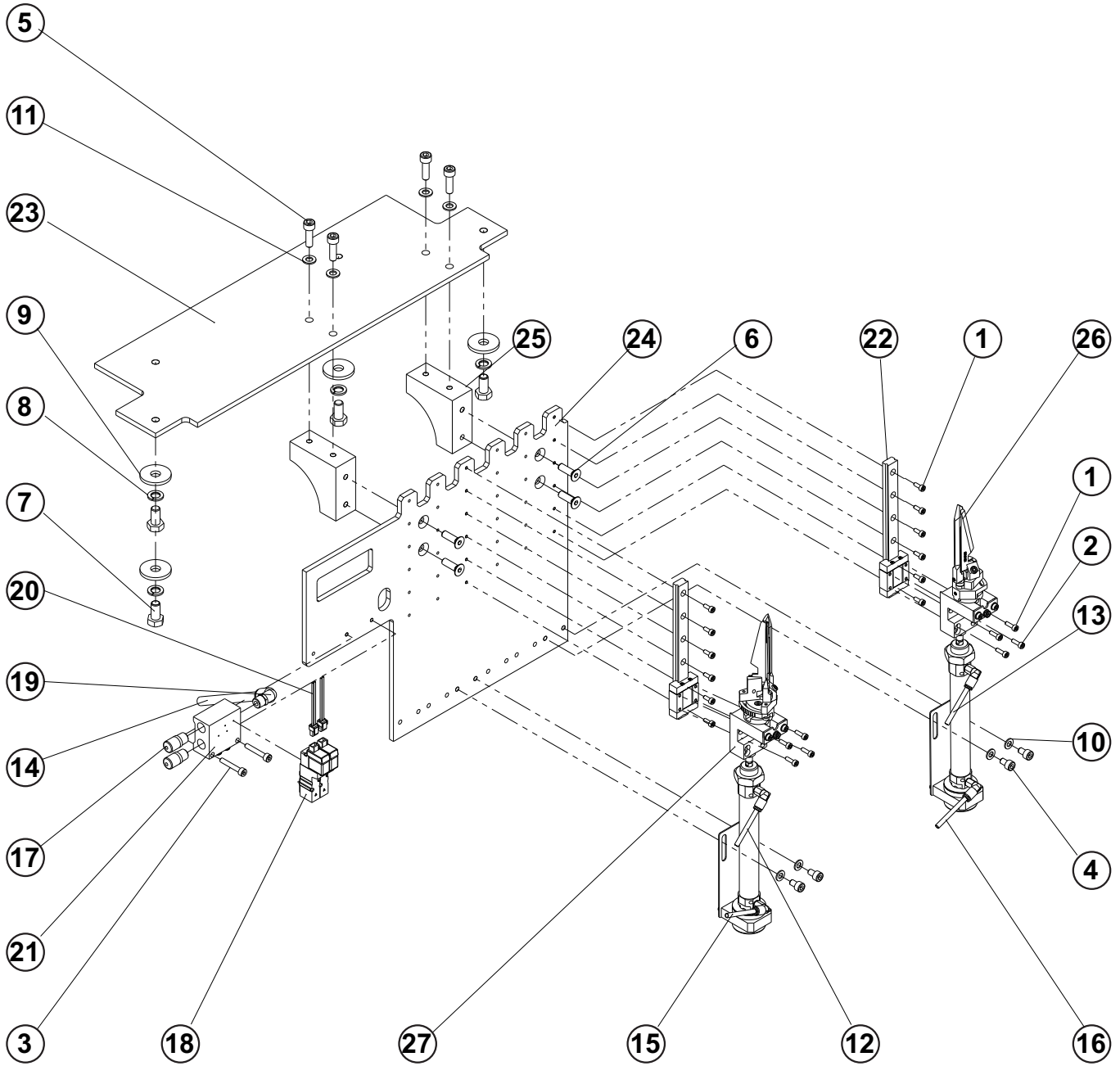
CLAMP CARRIER SECTION-CHAIN AND SENZOR



CLAMP CARRIER SECTION-CHAIN AND SENZOR

DET	PART NUMBER	DESCRIPTION	QTY.
01	08.6002.5.020	SCREW M5-20	2
02	08.6002.6.012	SCREW M6-12	2
03	08.6102.6.020	SCREW M6-20	4
04	08.6732.5.000	NUT M5	2
05	08.6732.6.000	NUT M6	2
06	08.6852.5.000	WASHER 5,3	4
07	08.6852.6.000	WASHER 6,4	4
08	08.6852.8.000	WASHER M8	2
09	12.0010.4.025	SENSOR	1
10	12.0010.6.917	ENERGY CHAIN	1
11	68.0210.0.800	SENSOR BRACKET	1
12	68.0211.0.800	CHAIN HOLDER	1

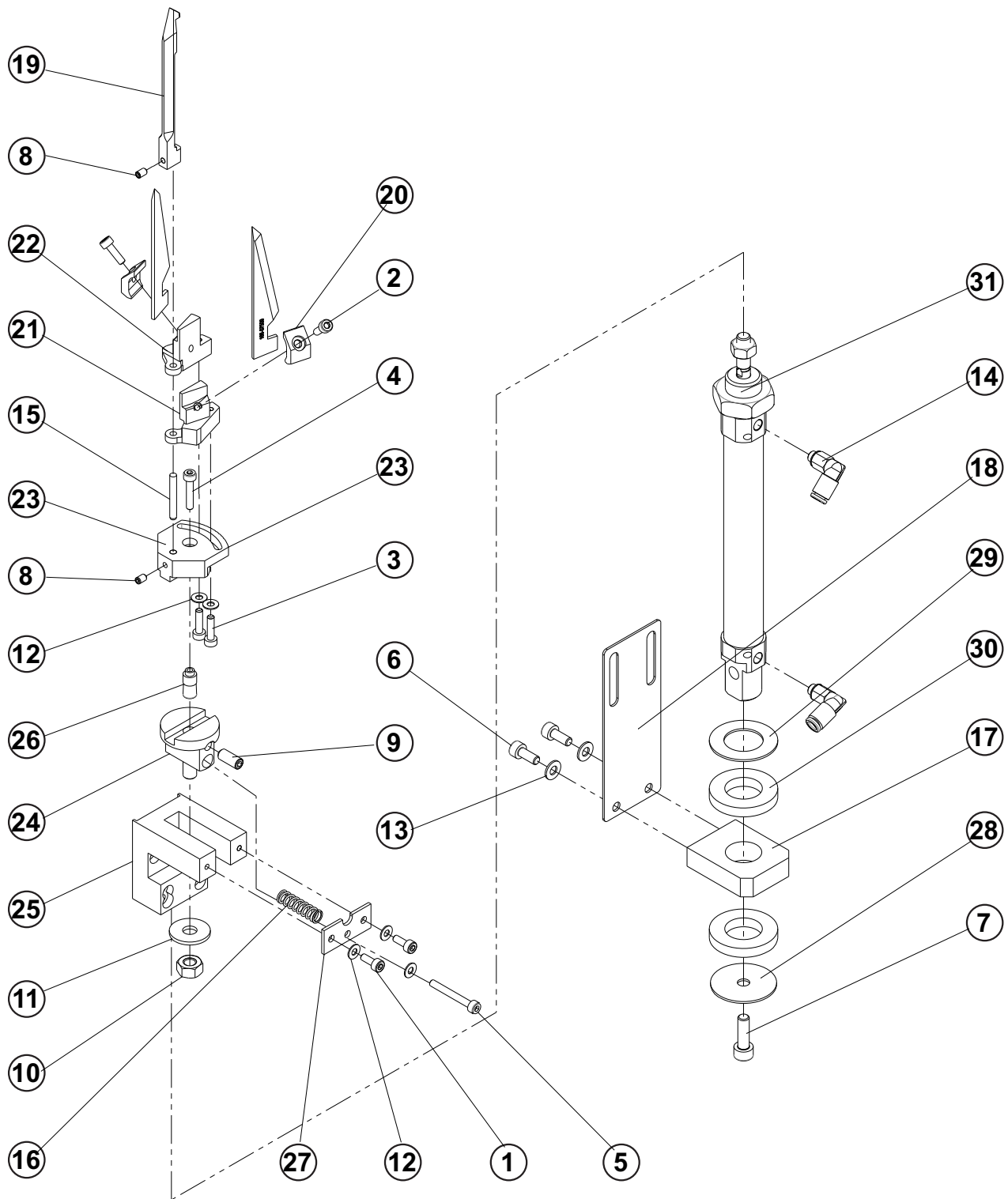
CORNER KNIFE UNIT ASSEMBLY-2 UNIT



CORNER KNIFE UNIT ASSEMBLY-2 UNIT

DET	PART NUMBER	DESCRIPTION	QTY.
01	08.6002.3.008	SCREW M3-8	16
02	08.6002.3.016	SCREW M3-16	4
03	08.6002.4.025	SCREW M4-25	2
04	08.6002.5.008	SCREW M5-8	4
05	08.6002.6.020	SCREW M6-20	4
06	08.6102.6.020	SCREW M6-20	4
07	08.6312.8.016	SCREW M8-16	4
08	08.6802.8.000	SPRING WASHER M8	4
09	08.6842.8.000	WASHER M8	4
10	08.6852.5.000	WASHER 5,3	4
11	08.6852.6.000	WASHER 6,4	4
12	12.0008.3.416	AIR TUBE- J25B	
13	12.0008.3.416	AIR TUBE- J22B	
14	12.0008.3.431	AIR TUBING - J0A2	
15	12.0010.3.080	AIR TUBE- J25A	
16	12.0010.3.080	AIR TUBE- J22A	
17	12.0010.3.099	SILENCER	2
18	12.0010.3.105	5/2 VALVE	2
19	12.0010.3.106	CONNECTOR	1
20	12.0010.3.108	CABLE	2
21	12.0010.3.110	MANIFOLD PLATE	1
22	12.2070.1.069	GUIDE	2
23	68.0205.0.800	KNIFE BRACKET	1
24	68.0206.0.800	KNIFE BRACKET	1
25	68.0207.0.600	ALUMINIUM ANGLE	2
26	68.9031.0.050	CORNER KNIFE UNIT RIGHT	1
27	68.9032.0.050	CORNER KNIFE UNIT LEFT	1

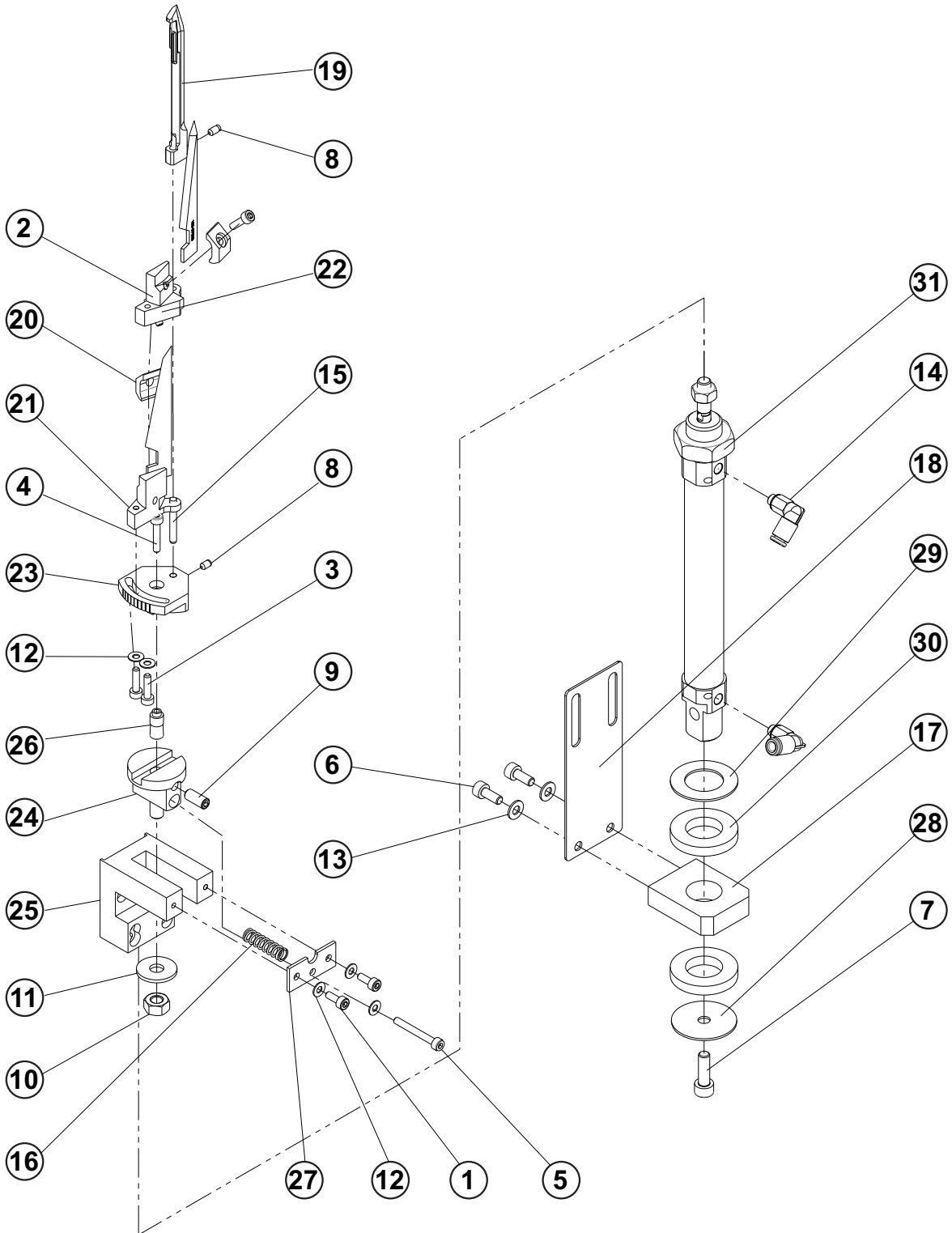
CORNER KNIFE UNIT RIGHT



CORNER KNIFE UNIT RIGHT

DET	PART NUMBER	DESCRIPTION	QTY.
01	08.6002.3.008	SCREW M3-8	2
02	08.6002.3.010	SCREW M3-10	2
03	08.6002.3.012	SCREW M3-12	2
04	08.6002.3.016	SCREW M3-16	1
05	08.6002.3.025	SCREW M3-25	1
06	08.6002.4.010	SCREW M4-10	2
07	08.6002.5.016	SCREW M5-16	1
08	08.6402.3.005	SCREW M3-5	2
09	08.6402.5.012	SCREW M5-12	1
10	08.6702.6.000	NUT M6	1
11	08.6842.6.000	WASHER M6	1
12	08.6852.3.000	WASHER M3	5
13	08.6852.4.000	WASHER M4	2
14	12.0010.3.028	CONNECTOR	2
15	12.1010.2.022	PIN	1
16	68.0025.0.200	SPRING	1
17	68.0188.0.600	BRACKET	1
18	68.0189.1.800	BRACKET-LONG VERSION	1
19	68.0190.0.600	KNIFE PROTECTION	1
20	68.0191.0.600	KNIFE HOLDER	2
21	68.0192.0.600	KNIFE HOLDER	1
22	68.0193.0.600	KNIFE HOLDER	1
23	68.0194.0.600	BASE	1
24	68.0195.0.300	BRACKET	1
25	68.0196.0.600	BASE OF UNIT	1
26	68.0197.0.300	PIN	1
27	68.0198.0.800	PLATE	1
28	68.0202.0.800	WASHER	1
29	68.0203.0.800	WASHER	1
30	68.0204.0.990	RUBBER WASHER	2
31	68.0208.0.000	KNIFE CYLINDER	1

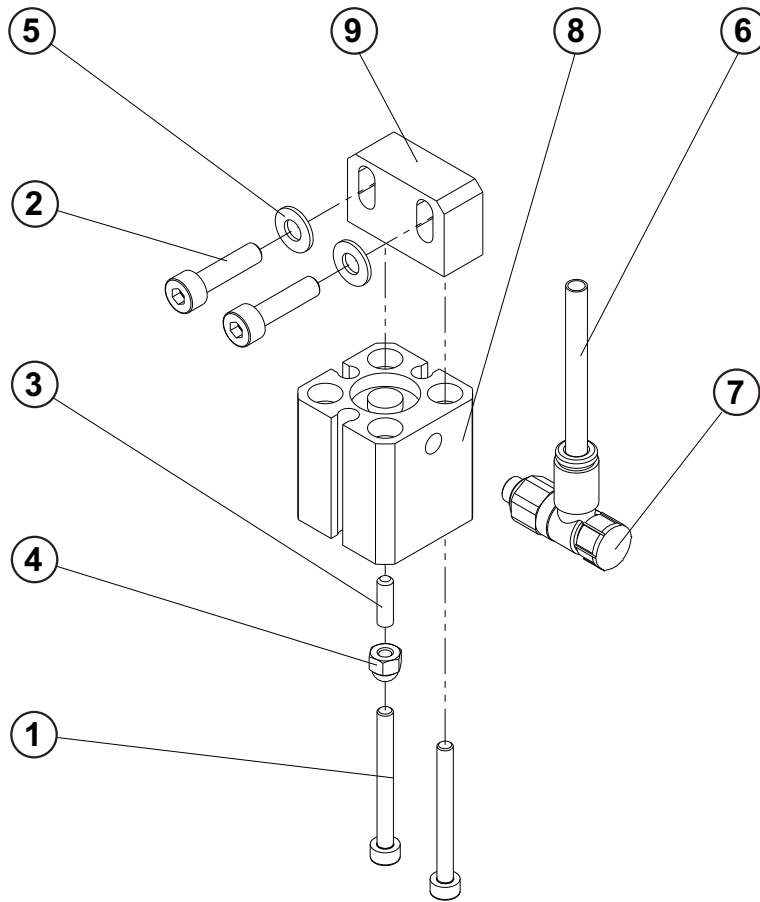
CORNER KNIFE UNIT LEFT



CORNER KNIFE UNIT LEFT

DET	PART NUMBER	DESCRIPTION	QTY.
01	08.6002.3.008	SCREW M3-8	2
02	08.6002.3.010	SCREW M3-10	2
03	08.6002.3.012	SCREW M3-12	2
04	08.6002.3.016	SCREW M3-16	1
05	08.6002.3.025	SCREW M3-25	1
06	08.6002.4.010	SCREW M4-10	2
07	08.6002.5.016	SCREW M5-16	1
08	08.6402.3.005	SCREW M3-5	2
09	08.6402.5.012	SCREW M5-12	1
10	08.6702.6.000	NUT M6	1
11	08.6842.6.000	WASHER M6	1
12	08.6852.3.000	WASHER M3	5
13	08.6852.4.000	WASHER M4	2
14	12.0010.3.028	CONNECTOR	2
15	12.1010.2.022	PIN	1
16	68.0025.0.200	SPRING	1
17	68.0188.0.600	BRACKET	1
18	68.0189.1.800	BRACKET-LONG VERSION	1
19	68.0190.0.600	KNIFE PROTECTION	1
20	68.0191.0.600	KNIFE HOLDER	2
21	68.0192.0.600	KNIFE HOLDER	1
22	68.0193.0.600	KNIFE HOLDER	1
23	68.0194.0.600	BASE	1
24	68.0195.0.300	BRACKET	1
25	68.0196.0.600	BASE OF UNIT	1
26	68.0197.0.300	PIN	1
27	68.0198.0.800	PLATE	1
28	68.0202.0.800	WASHER	1
29	68.0203.0.800	WASHER	1
30	68.0204.0.990	RUBBER WASHER	2
31	68.0208.0.000	KNIFE CYLINDER	1

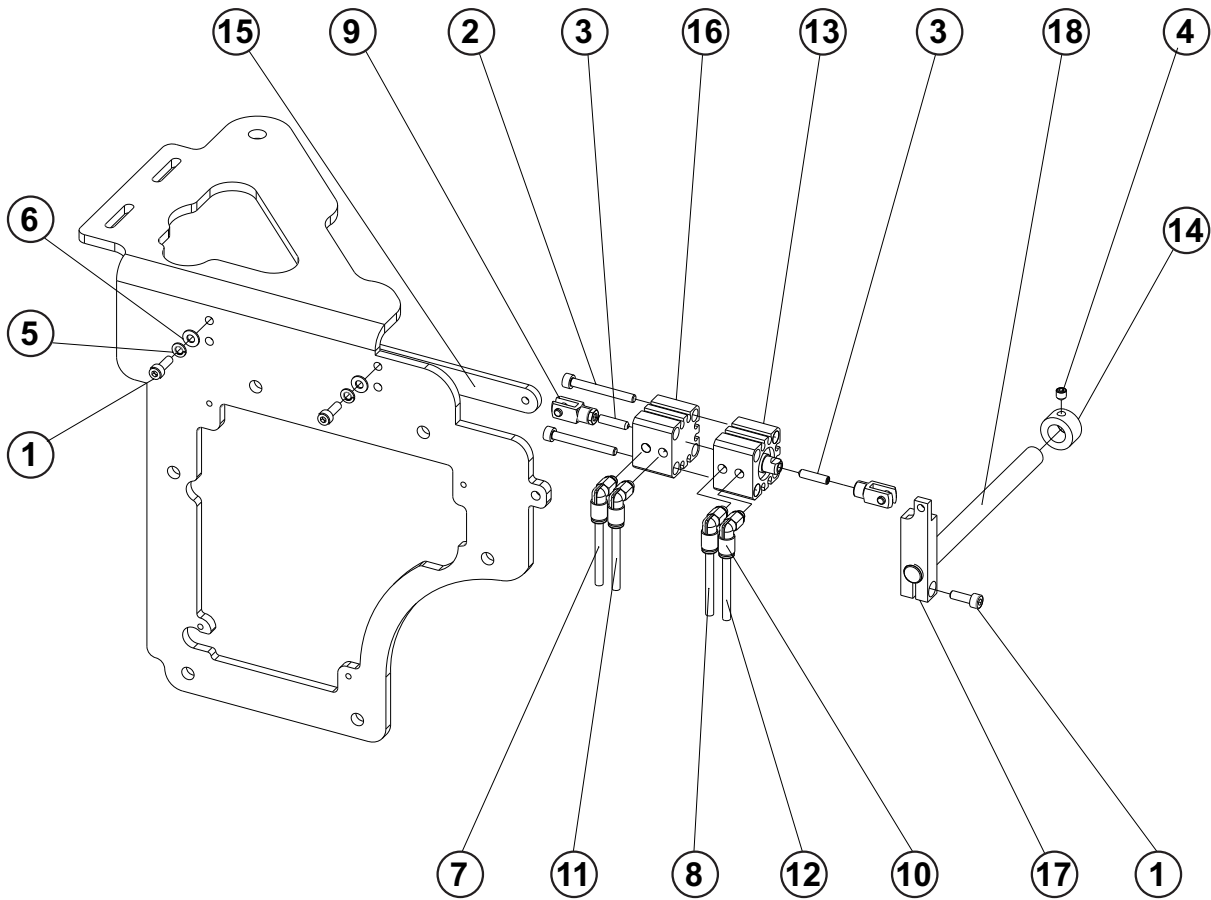
BACKTACKING



BACKTACKING

DET	PART NUMBER	DESCRIPTION	QTY.
01	08.6000.3.030	SCREW M3-30	2
02	08.6002.4.016	SCREW M4-16	2
03	08.6402.3.010	SCREW M3-10	1
04	08.6722.3.000	NUT M3	1
05	08.6852.4.000	WASHER M4	2
06	12.0010.3.080	AIR TUBE- J15A	
07	12.0010.3.113	SPEED CONTROLLER	1
08	12.0010.3.188	CYLINDER	1
09	68.0224.0.600	CYLINDER BRACKET	1

SPLIT NEEDLE MECHANISM - AP



SPLIT NEEDLE MECHANISM - AP

DET	PART NUMBER	DESCRIPTION	QTY.
01	08.6002.4.012	SCREW M4-12	3
02	08.6002.4.035	SCREW M4-35	2
03	08.6402.4.016	SCREW M4-16	2
04	08.6402.5.005	SCREW M5-5	1
05	08.6802.4.000	SPRING WASHER M4	2
06	08.6852.4.000	WASHER M4	2
07	12.0008.3.416	AIR TUBE- J19B	—
08	12.0008.3.416	AIR TUBE- J20B	—
09	12.0008.3.738	KNUCKLE	2
10	12.0010.3.028	CONNECTOR	4
11	12.0010.3.080	AIR TUBE- J19A	—
12	12.0010.3.080	AIR TUBE- J20A	—
13	12.0010.3.189	CYLINDER	1
14	12.1050.0.005	CLAMP COLLAR 10	1
15	68.0140.0.800	HOLDER	1
16	68.0141.0.000	CYLINDER	1
17	68.0142.0.600	LEVER	1
18	68.0143.0.300	SHAFT	1

CORNER KNIFE UNIT ASSEMBLY - 6 UNIT - AP

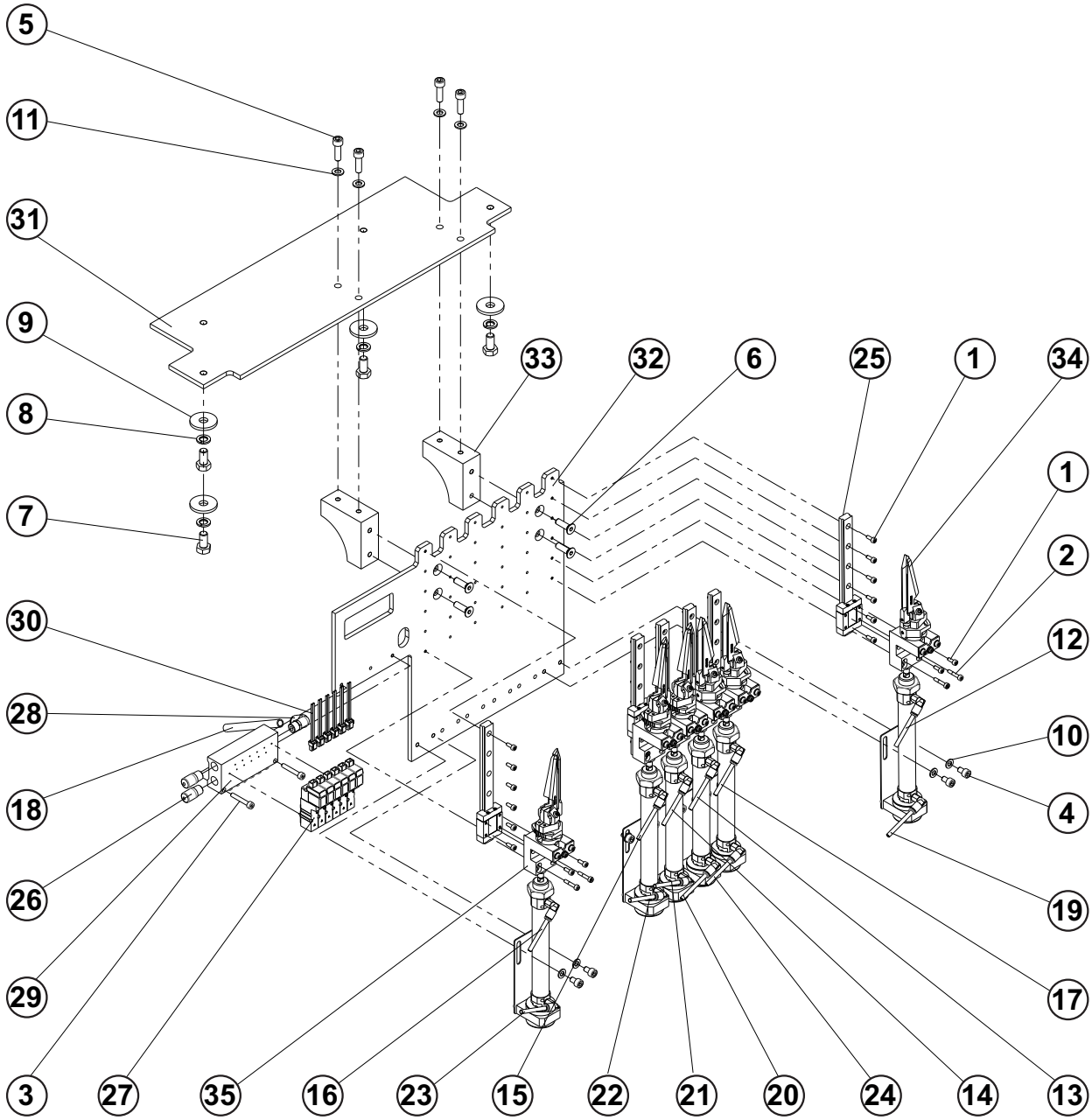


TABLE ASSEMBLY - BASE

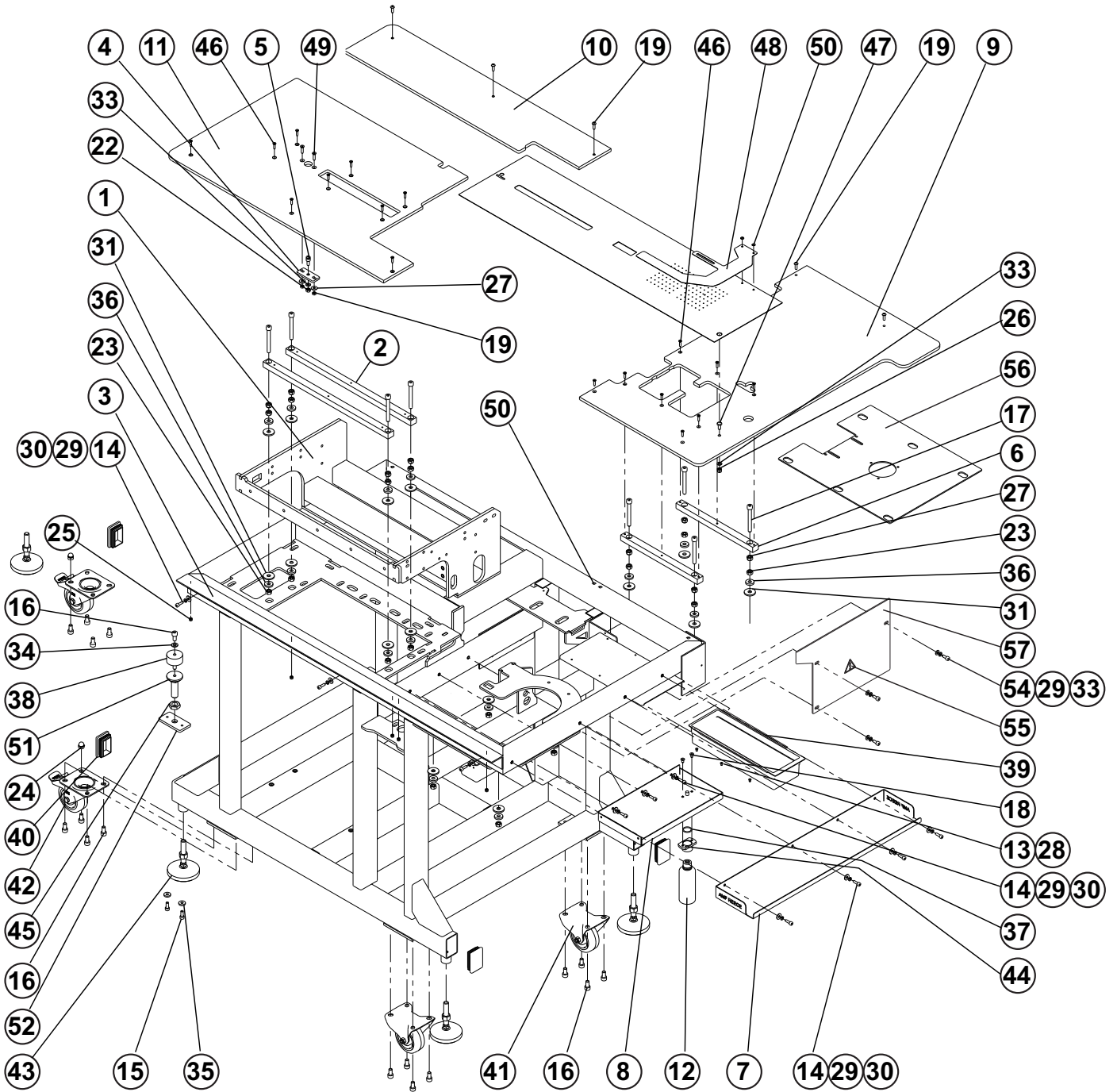


TABLE ASSEMBLY - BASE

DET	PART NUMBER	DESCRIPTION	QTY.
01	04.9068.0.050	FRAME KIT	1
02	04.9068.0.361	TABLE SUPPORT	2
03	04.9068.0.363	LEFT TABLE SUPPORT	1
04	04.9068.0.364	PLATE	1
05	04.9068.0.365	STUD	1
06	04.9068.0.366	TABLE SUPPORT FRONT	2
07	04.9068.0.367	BOX	1
08	04.9068.0.368	OIL BATH	1
09	04.9068.0.900	TABLE FRONT	1
10	04.9068.0.901	TABLE RIGHT	1
11	04.9068.0.902	TABLE LEFT	1
12	05.1322.0.000	OIL RESERVOIR	1
13	08.6002.4.005	SCREW M4-5	6
14	08.6002.5.016	SCREW M5-16	10
15	08.6002.6.016	SCREW M6-16	2
16	08.6002.8.016	SCREW M8-16	17
17	08.6002.8.070	SCREW M8-70	8
18	08.6050.5.008	SCREW M5-8	2
19	08.6202.5.020	SCREW M5-20	4
20	08.6202.8.020	SCREW M8-20	1
21	08.6702.5.000	NUT M5	2
22	08.6702.6.000	NUT M6	1
23	08.6702.8.000	NUT M8	16
24	08.6722.8.000	NUT M8	2
25	08.6732.4.000	NUT M4	5
26	08.6732.6.000	NUT M6	1
27	08.6733.8.000	NUT M8	8
28	08.6802.4.000	SPRING WASHER M4	9
29	08.6802.5.000	SPRING WASHER M5	10
30	08.6842.5.000	WASHER 5	12
31	08.6842.8.000	WASHER M8	16
32	08.6852.4.000	WASHER M4	8
33	08.6852.6.000	WASHER 6,4	2
34	08.6852.8.000	WASHER M8	1
35	08.6892.6.000	WASHER M6	2
36	08.6892.8.000	WASHER M8	16
37	12.0008.6.812	O-RING 19x2	1
38	12.0008.6.819	SILENTBLOK 40	1
39	12.0008.6.901	BOX	1
40	12.0008.6.996	PLUG 60x40	4
41	12.0010.6.216	WHEEL	2
42	12.0010.6.217	WHEEL	2
43	12.0010.6.218	SHOCK AMOUNT	4
44	19.0044.5.404	HOLDER	1
45	52.0035.0.100	NUT M16	1
46	68.0187.0.100	SCREW M4-16	17



TABLE ASSEMBLY - BASE

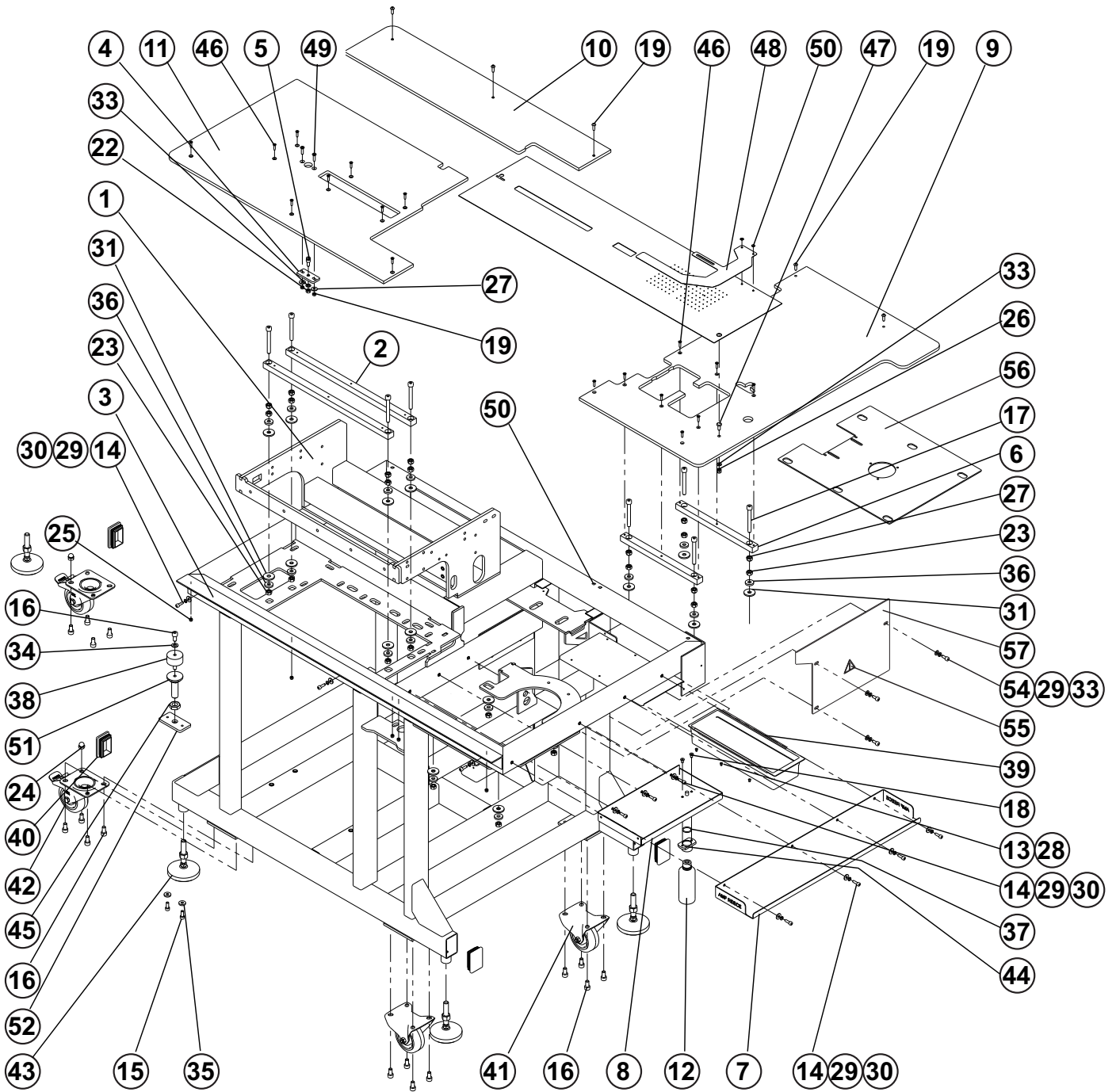


TABLE ASSEMBLY - BASE


DET	PART NUMBER	DESCRIPTION	QTY.
47	68.0200.0.300	STUD	1
48	68.0201.0.800	SPLICE PLATE	1
49	68.0209.0.100	SCREW M5-20	2
50	68.0228.0.100	SCREW M4x0,5-1,5	2
51	68.0247.0.300	SETTING STUD	1
52	68.0248.0.800	PLATE	1
53	84.0004.6.940	ALU RIVNUT M5	5
54	08.6002.4.010	SCREW M4-10	3
55	17.0097.5.174	LABEL - WARNING	1
56	68.0259.1.800	PLATE	1
57	68.0392.0.800	MOTOR COVER	1

TABLE ASSEMBLY - PNEUMATICS AND DRIVE

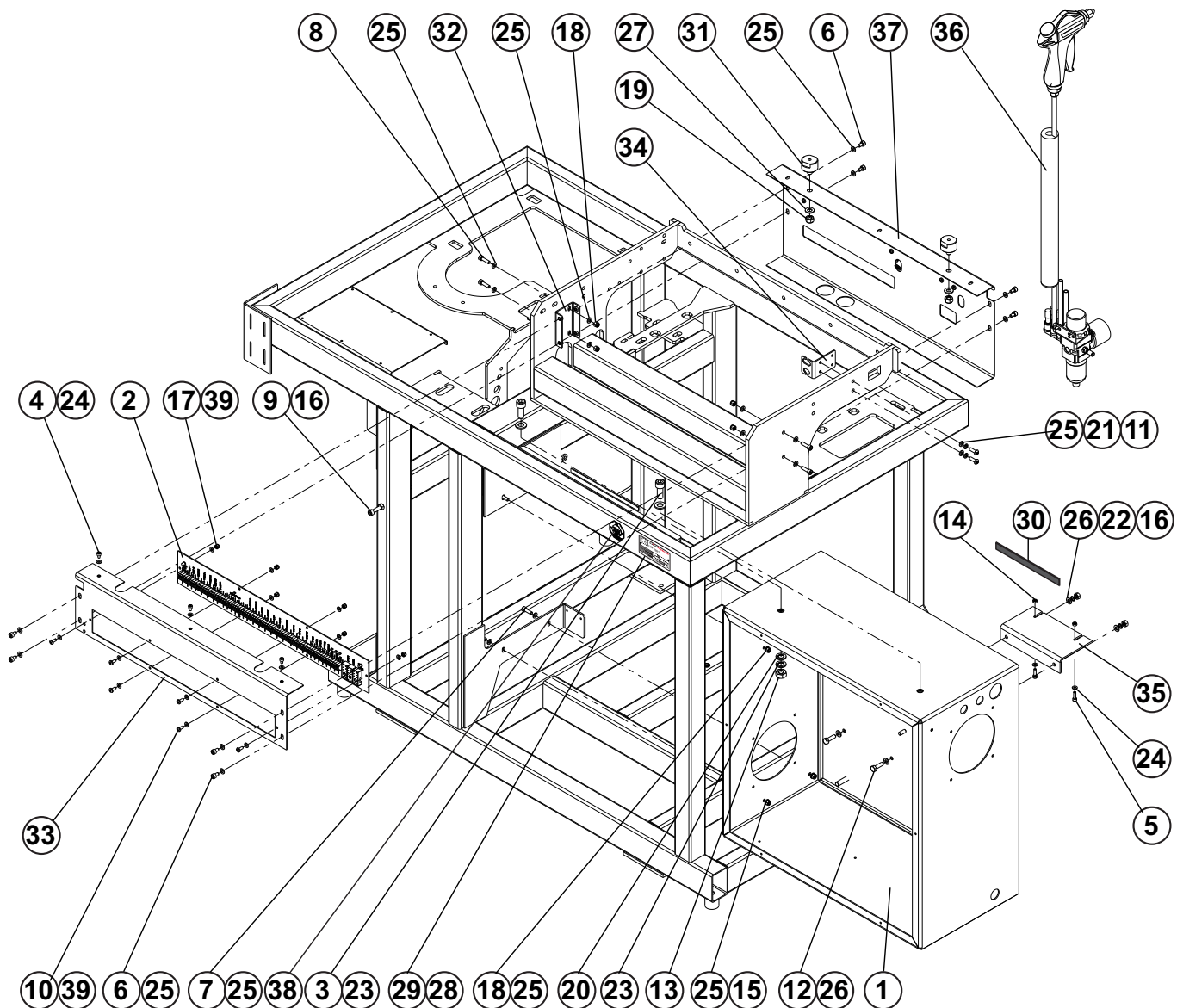


TABLE ASSEMBLY - PNEUMATICS AND DRIVE

DET	PART NUMBER	DESCRIPTION	QTY.
01	04.9068.0.500	CONTROL BOX	1
02	06.6800.0.049	TB1 LW8000 ASSEMBLY	1
03	08.6002.0.025	SCREW M10-25	2
04	08.6002.4.006	SCREW M4-6	3
05	08.6002.4.014	SCREW M4-14	2
06	08.6002.5.008	SCREW M5-8	8
07	08.6002.5.016	SCREW M5-16	4
08	08.6002.5.018	SCREW M5-18	4
09	08.6002.6.045	SCREW M6-45	1
10	08.6032.3.010	SCREW M3-10	6
11	08.6202.5.016	SCREW M5-16	2
12	08.6312.6.020	SCREW M6-20	2
13	08.6702.0.000	NUT M10	2
14	08.6702.4.000	NUT M4	2
15	08.6702.5.000	NUT M5	2
16	08.6702.6.000	NUT M6	3
17	08.6733.3.000	NUT M3	6
18	08.6732.5.000	NUT M5	6
19	08.6733.8.000	NUT M8	2
20	08.6802.0.000	SPRING WASHER M10	2
21	08.6802.5.000	SPRING WASHER M5	4
22	08.6802.6.000	SPRING WASHER M6	2
23	08.6852.0.000	WASHER M10	4
24	08.6852.4.000	WASHER M4	5
25	08.6852.5.000	WASHER M5	26
26	08.6852.6.000	WASHER M6	4
27	08.6852.8.000	WASHER M8	2
28	12.1016.0.002	NAIL 1.86x6.35 (1/4)	2
29	12.8000.1.067	LABEL CE LW-7001	1
30	19.0094.0.414	GASKET	1
31	68.0212.0.300	STUD	2
32	68.0216.0.800	COVER HOLDER	2
33	68.0218.0.800	COVER LEFT	1
34	68.0219.0.800	SERVO CABLE HOLDER	1
35	68.6001.0.800	DRIVER HOLDER	1
36	68.7001.0.050	REGULATOR ASSY.	1
37	68.7002.0.050	VALVE BLOCK ASSY.	1
38	12.8000.0.438	LABEL - GUALITY TÜV SÜV	1
39	08.6852.3.000	WASHER M3	12

TABLE ASSEMBLY - COVER

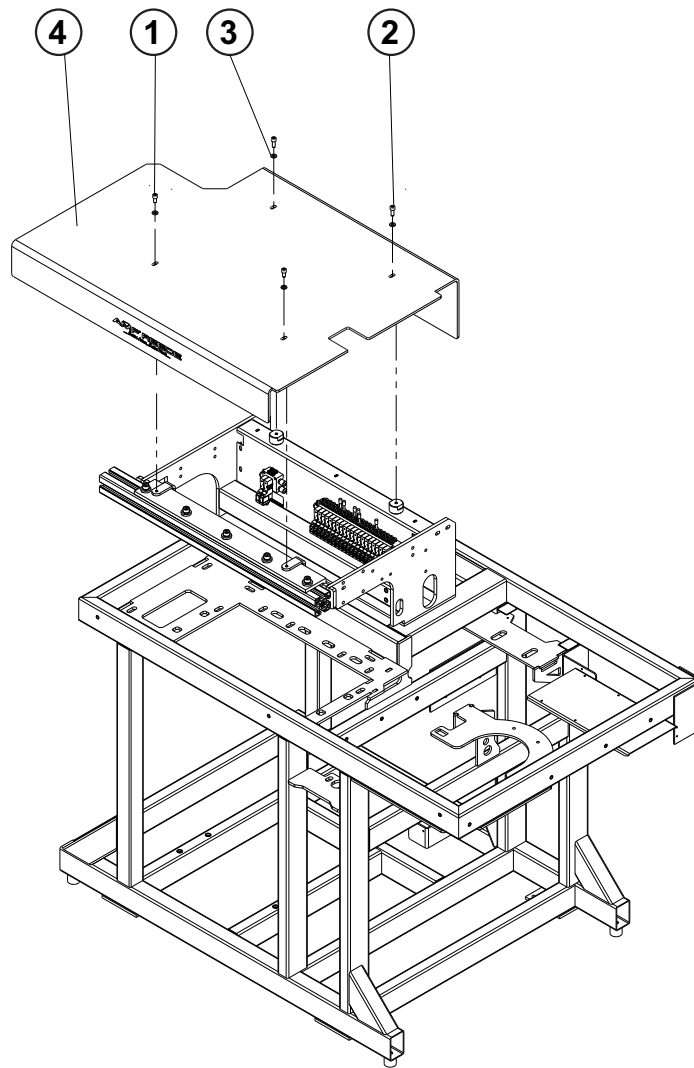
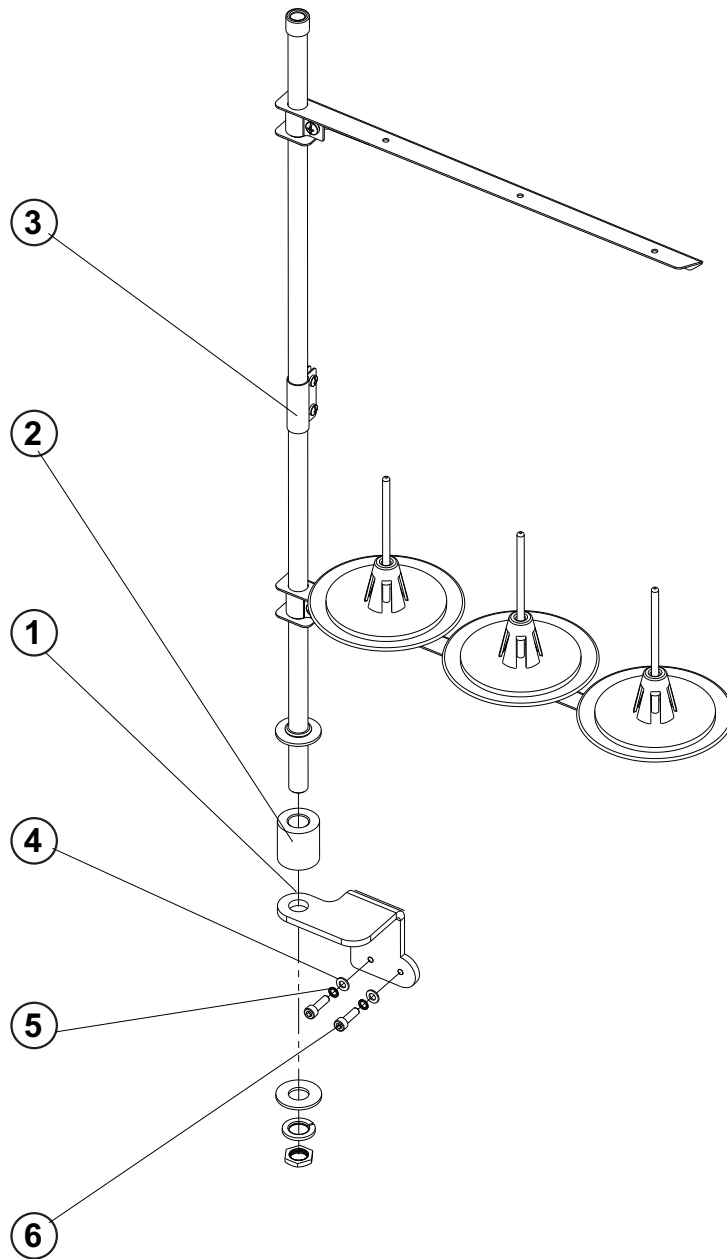


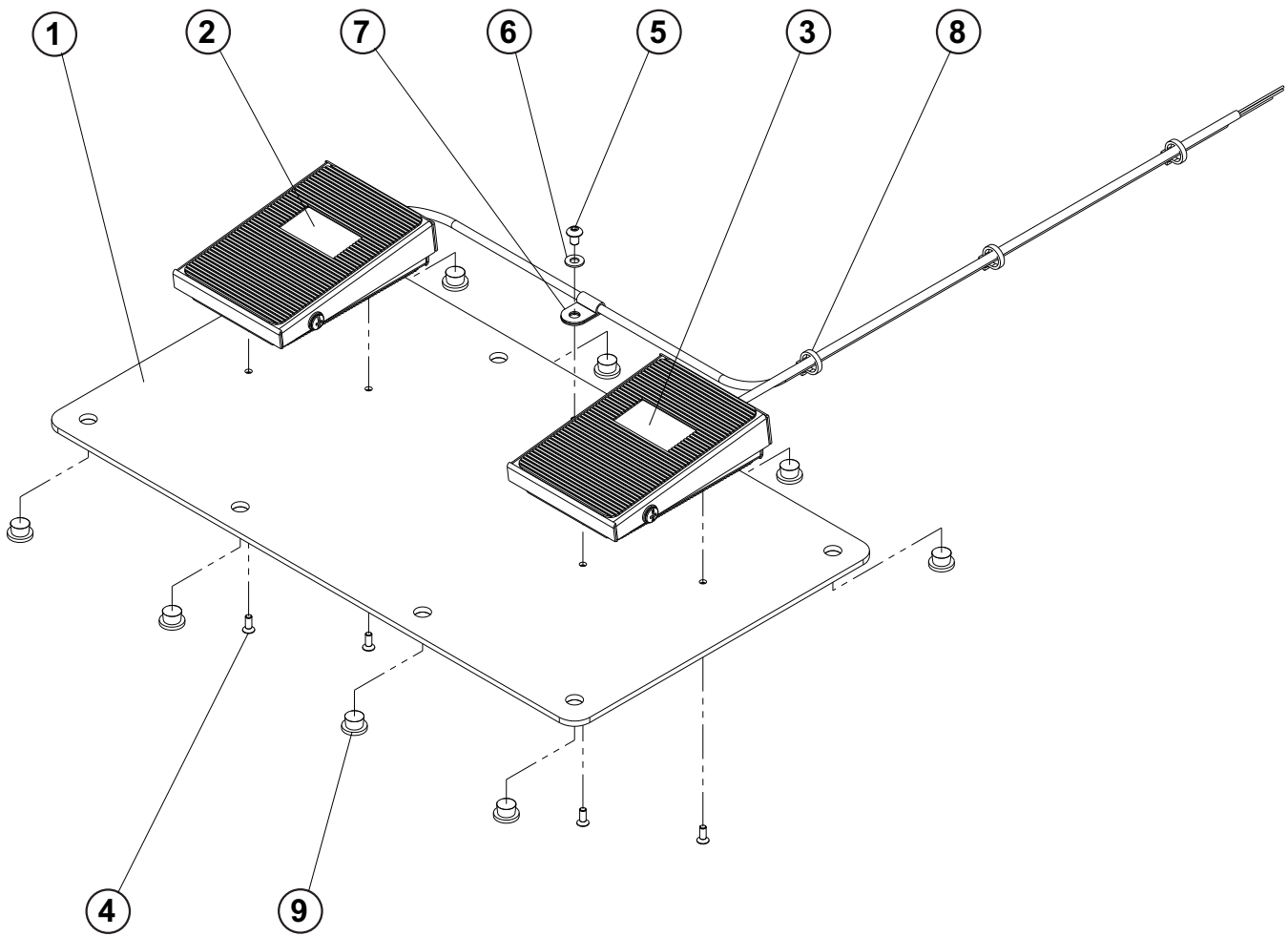
TABLE ASSEMBLY - COVER

DET	PART NUMBER	DESCRIPTION	QTY.
01	08.6002.6.012	SCREW M6-12	2
02	08.6002.6.016	SCREW M6-16	2
03	08.6845.6.000	WASHER 6,4	4
04	68.0230.1.992	COVER	1

THREAD STAND ASSEMBLY



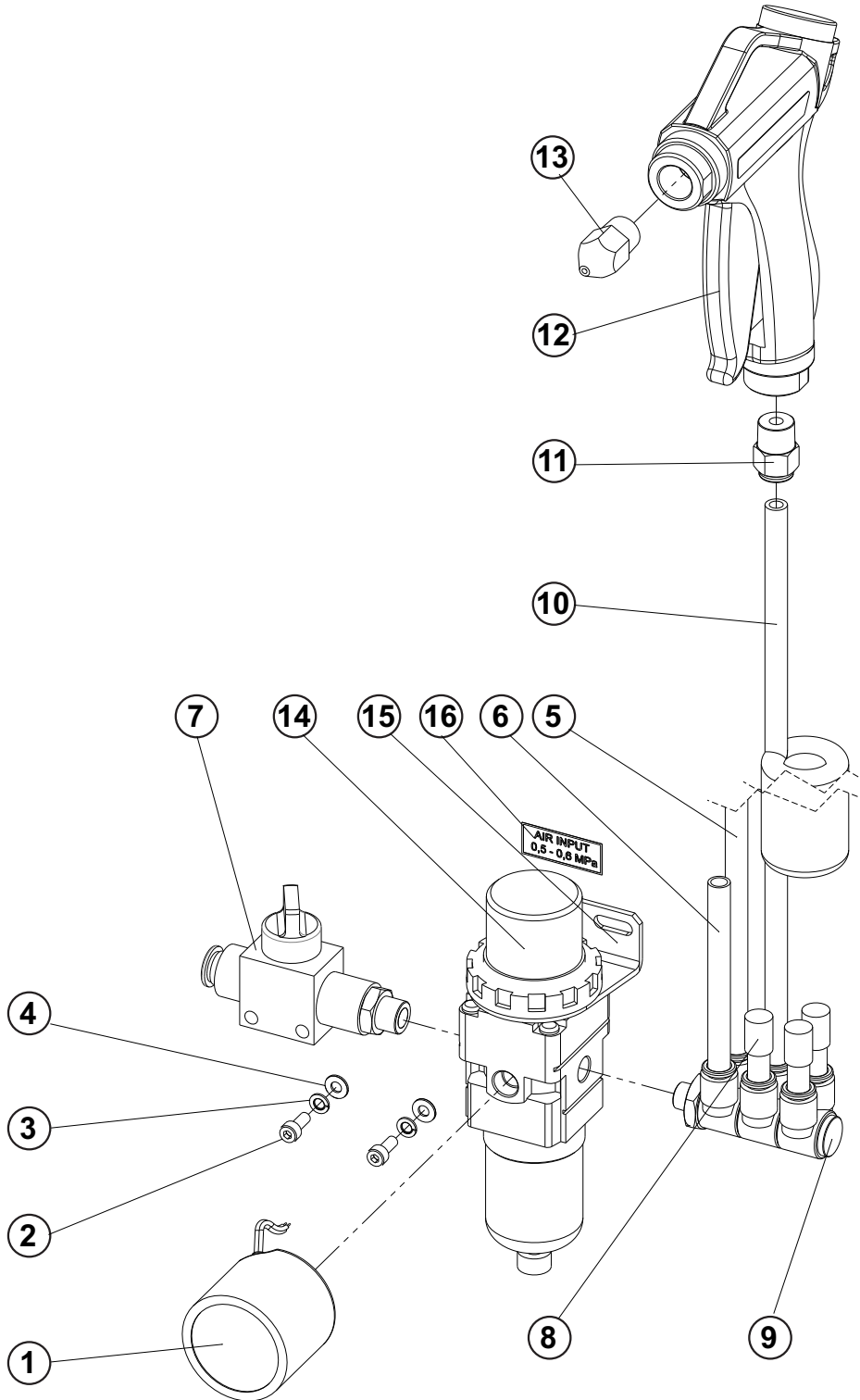
PEDAL ASSEMBLY



PEDAL ASSEMBLY

DET	PART NUMBER	DESCRIPTION	QTY.
01	04.9015.0.361	PEDAL HOLDER	1
02	06.6800.0.038	PEDAL LEFT ASSY.	1
03	06.6800.0.039	PEDAL RIGHT ASSY.	1
04	08.6100.3.008	SCREW M3-8	4
05	08.6202.4.006	SCREW M4-6	1
06	08.6852.4.000	WASHER M4	1
07	12.0008.4.279	CLAMP	1
08	12.0008.4.290	CABLE TIE 2x100	3
09	17.0094.0.029	PLUG	8

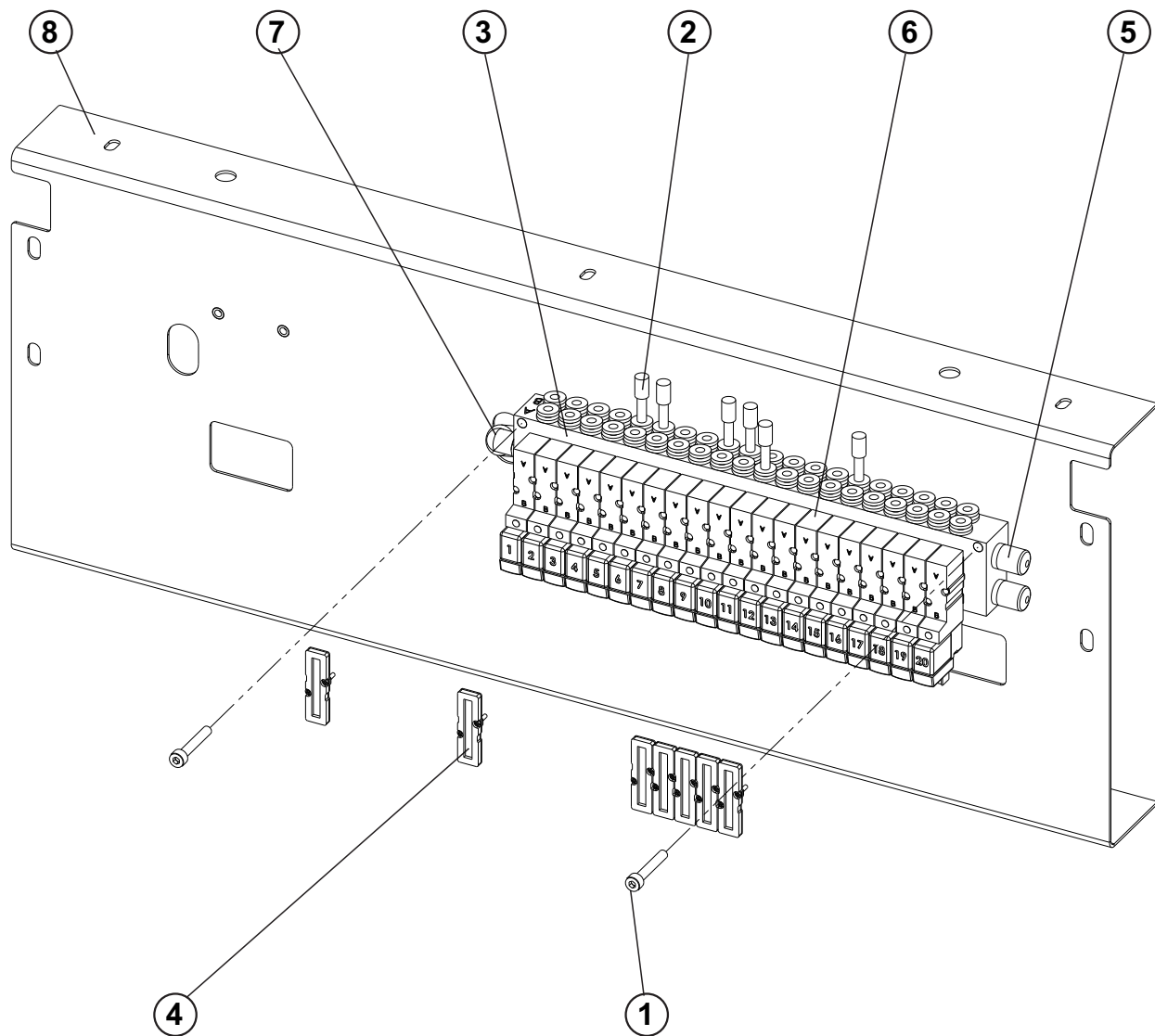
REGULATOR ASSEMBLY



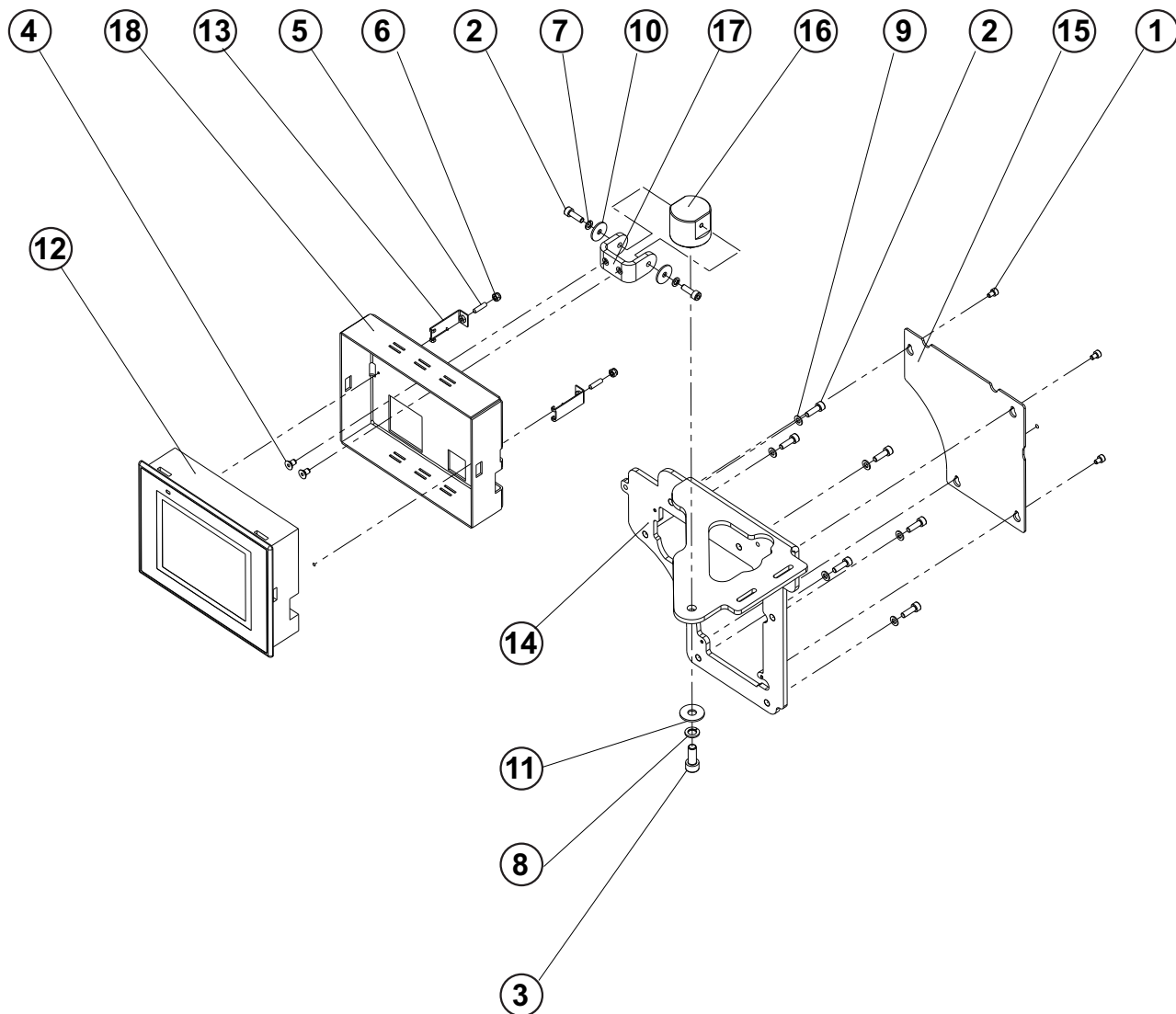
REGULATOR ASSEMBLY

DET	PART NUMBER	DESCRIPTION	QTY.
01	06.6800.0.037	PRESSURE GAUGE SQ5 ASSY.	1
02	08.6002.4.010	SCREW M4-10	2
03	08.6802.4.000	SPRING WASHER M4	2
04	08.6852.4.000	WASHER M4	2
05	12.0008.3.431	AIR TUBING - J0A1	—
06	12.0008.3.431	AIR TUBING - J0A2	—
07	12.0008.3.463	HAND VALVE	1
08	12.0008.3.744	PLUG	3
09	12.0010.3.112	CONNECTOR	1
10	12.0010.3.115	CIL TUBING	1
11	12.0010.3.116	CONNECTOR	1
12	12.0010.3.117	BLOW GUN	1
13	12.0010.3.118	NOZZLE	1
14	12.0010.3.137	FILTER REGULATOR	1
15	12.0010.3.138	REGULATOR BRACKET	1
16	12.8000.0.451	LABEL - AIR INPUT	1

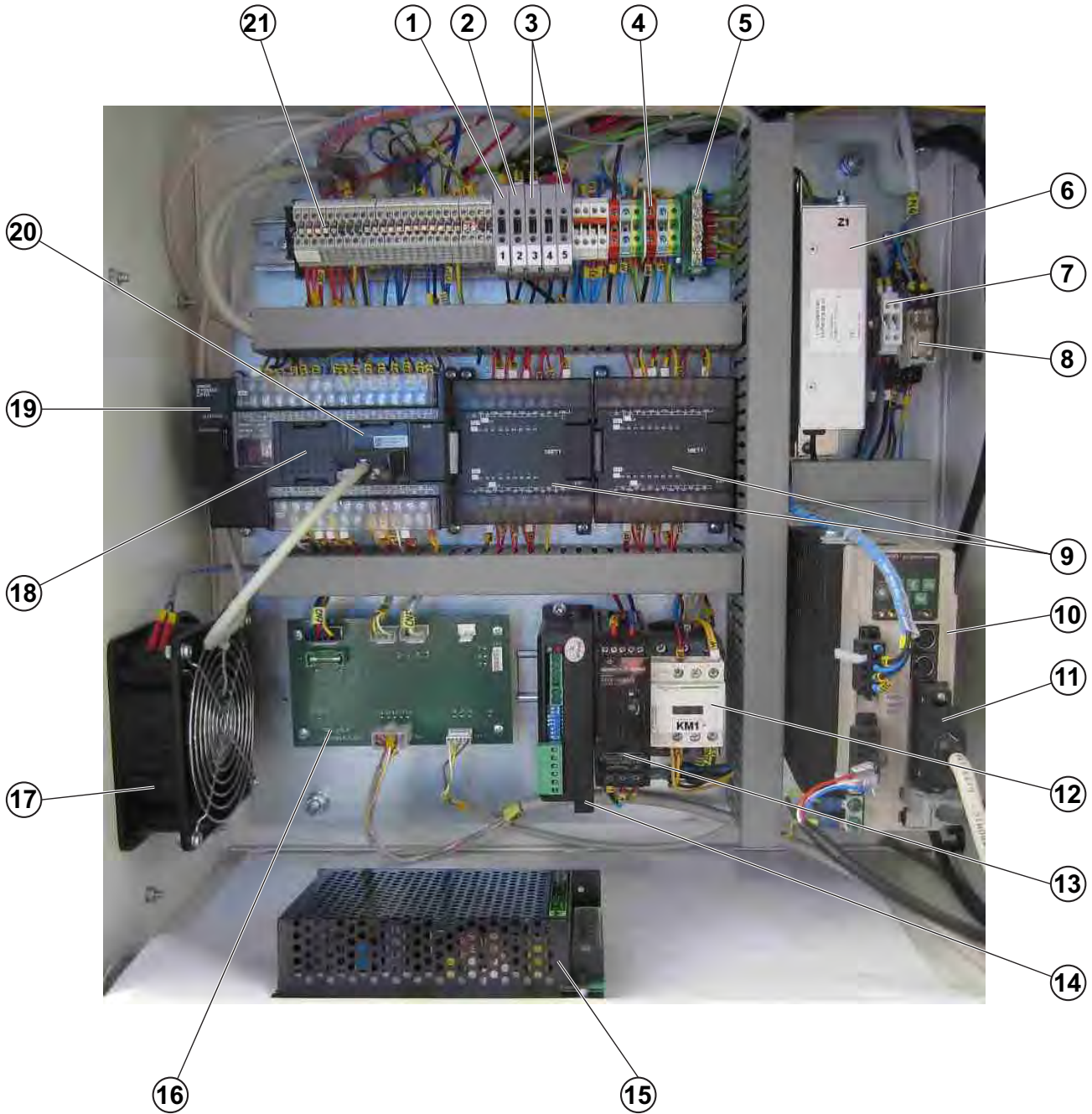
VALVE BLOCK ASSEMBLY



DISPLAY ASSEMBLY



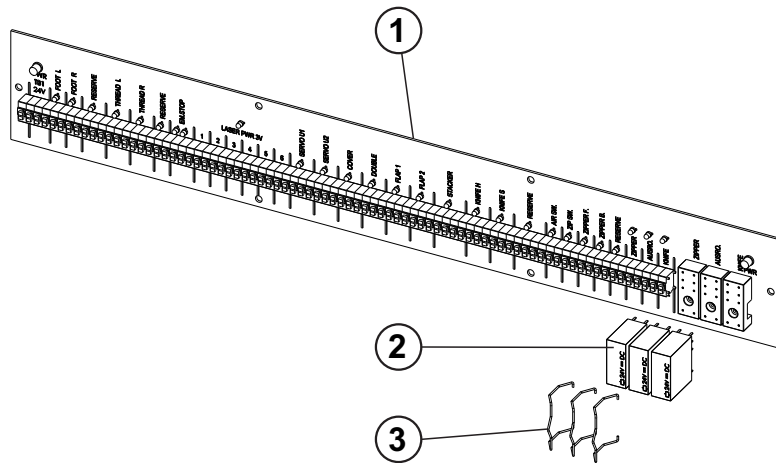
ELECTROBOX



ELECTROBOX

DET	PART NUMBER	DESCRIPTION	QTY.
01	12.0008.4.063	FUSE F1 - T1A	1
02	12.0008.4.109	FUSE F2 - T5A	1
03	12.0008.4.664	FUSE F3 - F5 - T10A	3
04		TERMINAL X0	1
05	12.0008.4.050	PE BRIDGE	1
06	12.0010.4.078	FILTER Z1	1
07		TERMINAL X3	1
08	12.0010.4.338	RELAY KA4	1
09	12.0010.4.277	EXTER. BLOCK	2
10	06.8068.0.003	SERVODRIVE	1
11	06.6800.0.015	CABLE CN1	1
12	12.0008.4.833	CONTACTOR KM1	1
13	12.0010.4.168	POWER GS1	1
14	12.0010.4.249	DRIVER U3	1
15	12.0010.4.255	POWER GS2	1
16	12.0010.4.318	TERMINAL BOARD TB2	1
17	12.0008.4.682	FAN EV1	1
18	06.8068.0.001	PLC	1
19	12.0010.4.163	BATTERY	1
20	12.0010.4.067	COMM. BLOCK	1
21		TERMINAL X1	1

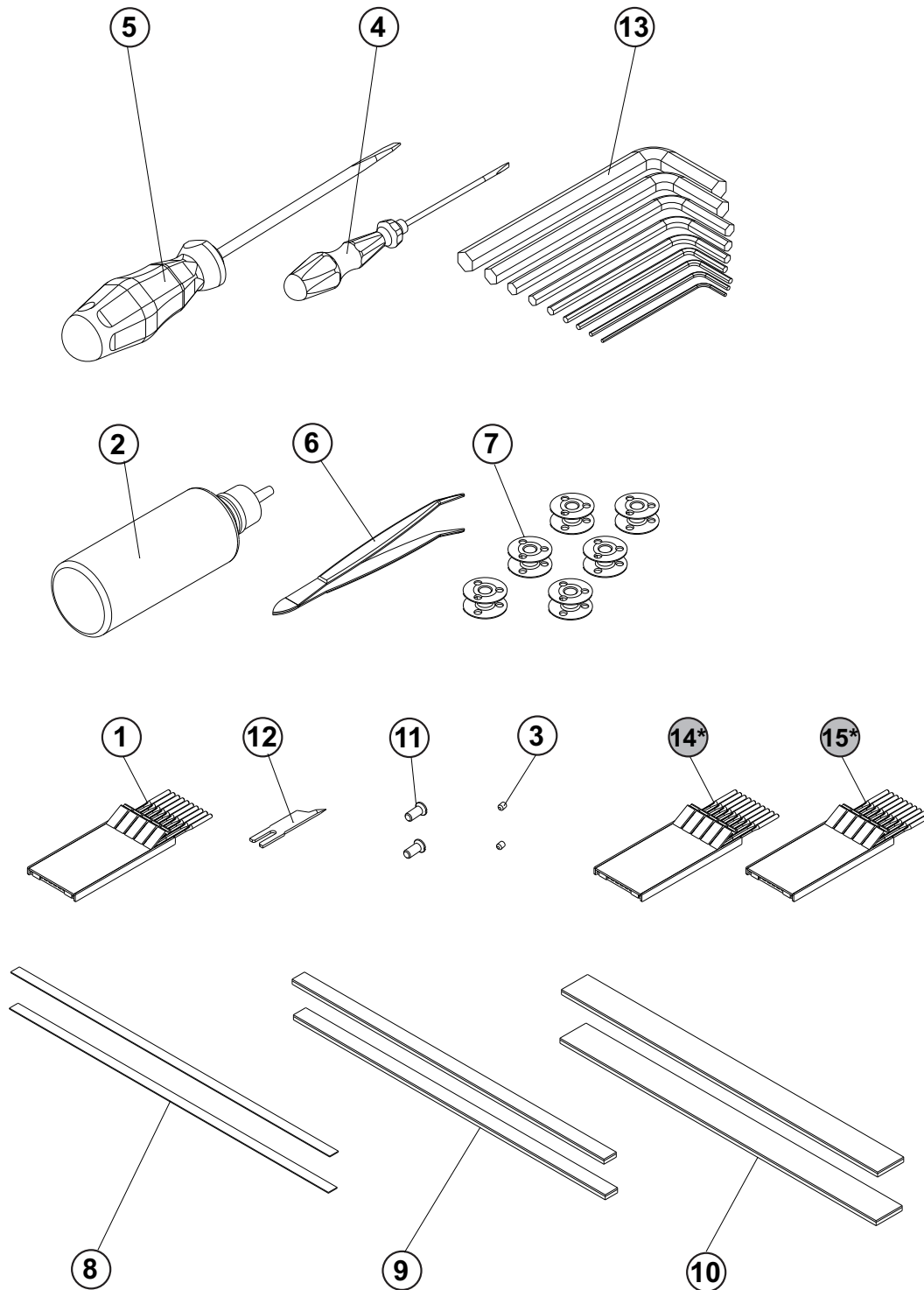
ELECTRICAL



ELECTRICAL

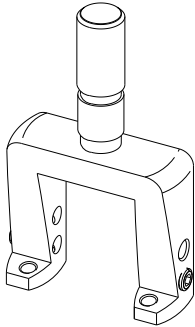
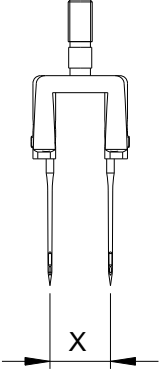
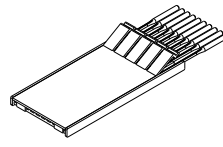
DET	PART NUMBER	DESCRIPTION	QTY.
01	06.6800.0.049	TB1 ASSEMBLY	1
02	12.0008.4.720	RELAY	—
03	12.0010.4.271	CLAMP	—

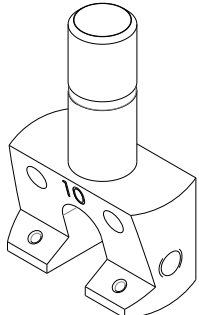
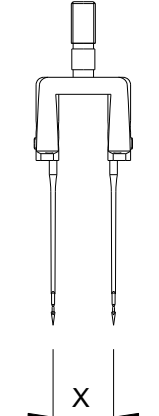
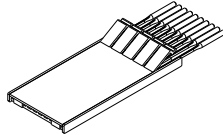
ACCESSORIES



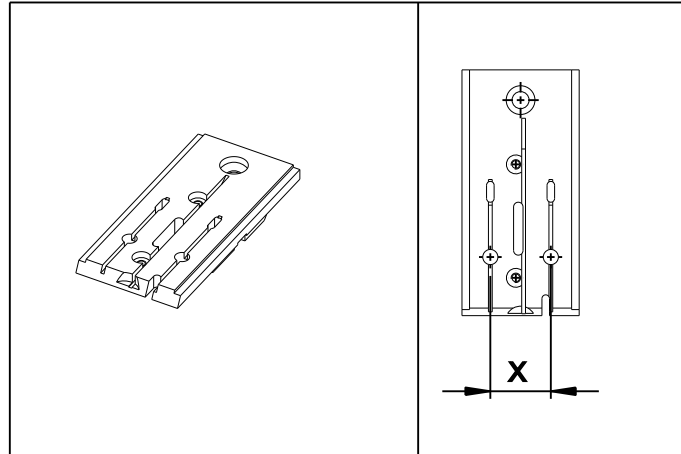
 EXTRA PARTS

WELT SECTION-MAIN SHEET TAPE/NO TAPE

STANDARD VERSION		
		
NEEDLE HEAD	SIZE "X"	NEEDLES 134 - 35
68.9901.0.607	6,35 mm	02.1341.0.109-80 Nm 02.1341.0.110-90 Nm 02.1341.0.111-100 Nm
68.9901.0.608	8 mm	
68.9901.0.610	10 mm	
68.9901.0.612	12 mm	
68.9901.0.614	14 mm	
68.9901.0.616	16 mm	
68.9901.0.618	18 mm	
68.9901.0.620	20 mm	

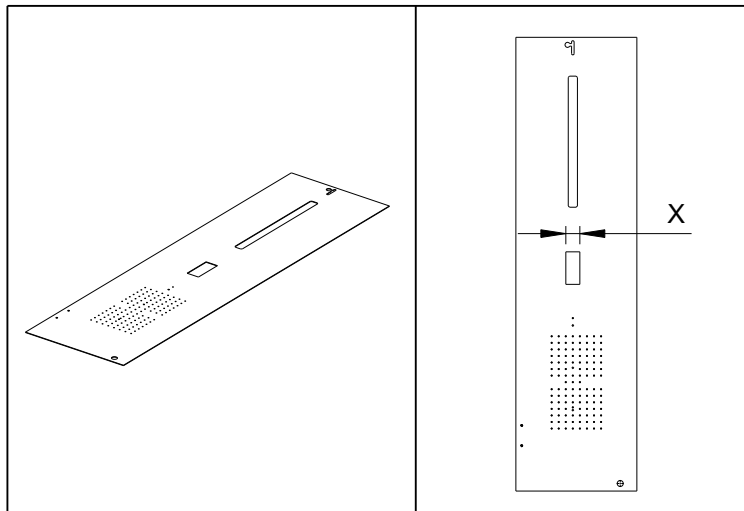
EXTRA PARTS		
		
NEEDLE HEAD	SIZE "X"	NEEDLES 190
39.0039.4.001	10 mm	02.0190.0.109-80 Nm 02.0190.0.110-90 Nm 02.0190.0.111-100 Nm
39.0039.4.002	12 mm	
39.0039.4.003	14 mm	
39.0039.4.004	16 mm	
39.0039.4.005	18 mm	
39.0039.4.006	20 mm	

WELT SECTION-NEEDLE HEAD

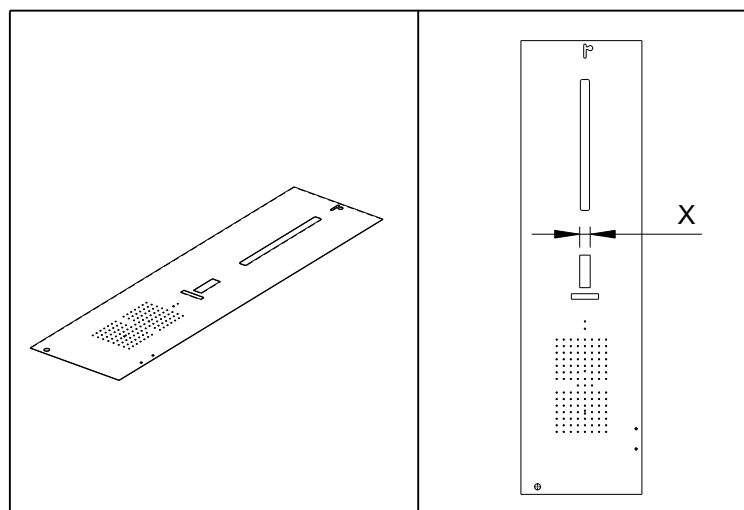


NEEDLE PLATE	SIZE "X"
68.9902.0.607	6,35 mm
68.9902.0.608	8 mm
68.9902.0.610	10 mm
68.9902.0.612	12 mm
68.9902.0.614	14 mm
68.9902.0.616	16 mm
68.9902.0.618	18 mm
68.9902.0.620	20 mm

WELT SECTION-NEEDLE HEAD NEEDLE PLATE

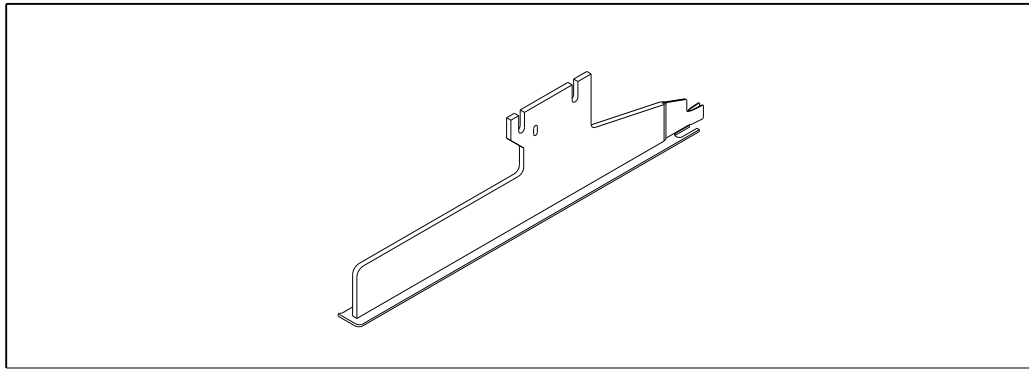


MAIN SHEET/NO TAPE	SIZE "X"
68.9903.0.808	6,35 mm
	8 mm
68.9903.0.814	10 mm
	12 mm
	14 mm
68.9903.0.820	16 mm
	18 mm
	20 mm

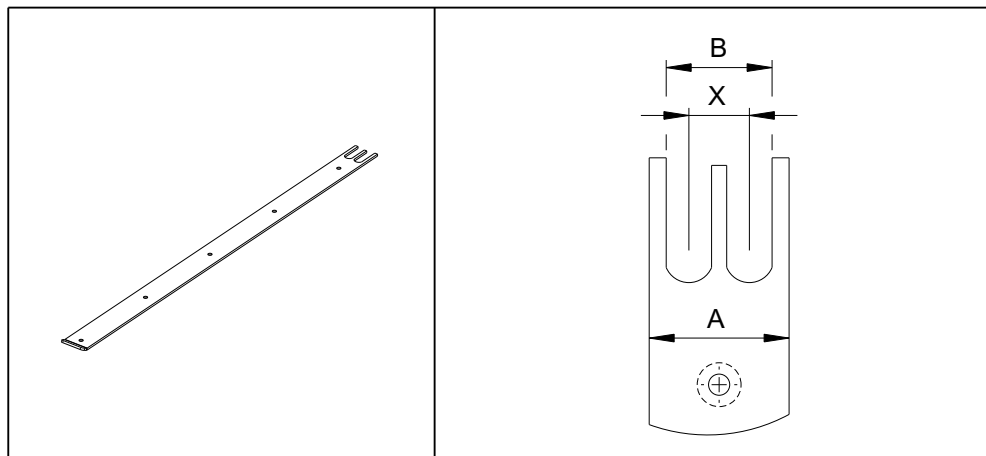


MAIN SHEET/TAPE	SIZE "X"
68.9904.0.808	6,35 mm
	8 mm
68.9904.0.814	10 mm
	12 mm
	14 mm
68.9904.0.820	16 mm
	18 mm
	20 mm

WELT SECTION-OUTSIDE SPRING TOP THREAD TRIMMER INSIDE KNIFE

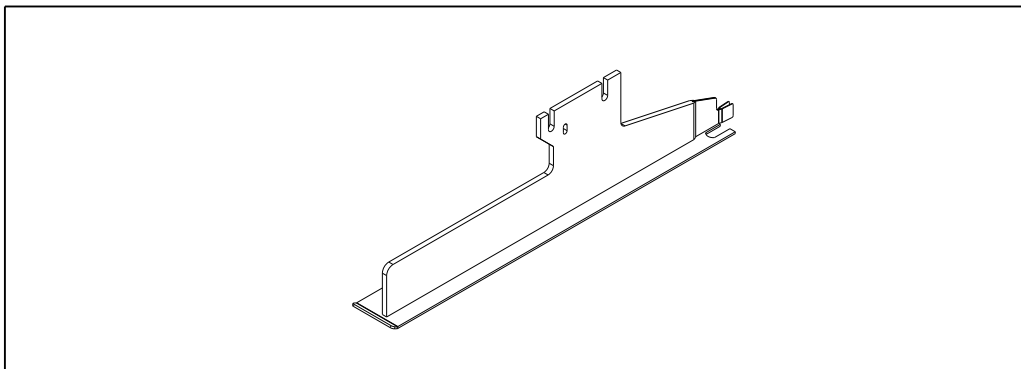


LOWER PATCH GUIDE DOUBLE WELT-ASSY.	LOWER PATCH GUIDE PLATE-DOUBLE WELT	SIZE "X"
68.9906.0.007	68.9905.0.807	6,35 mm
68.9906.0.008	68.9905.0.808	8 mm
68.9906.0.010	68.9905.0.810	10 mm
68.9906.0.012	68.9905.0.812	12 mm
68.9906.0.014	68.9905.0.814	14 mm
68.9906.0.016	68.9905.0.816	16 mm
68.9906.0.018	68.9905.0.818	18 mm
68.9906.0.020	68.9905.0.820	20 mm

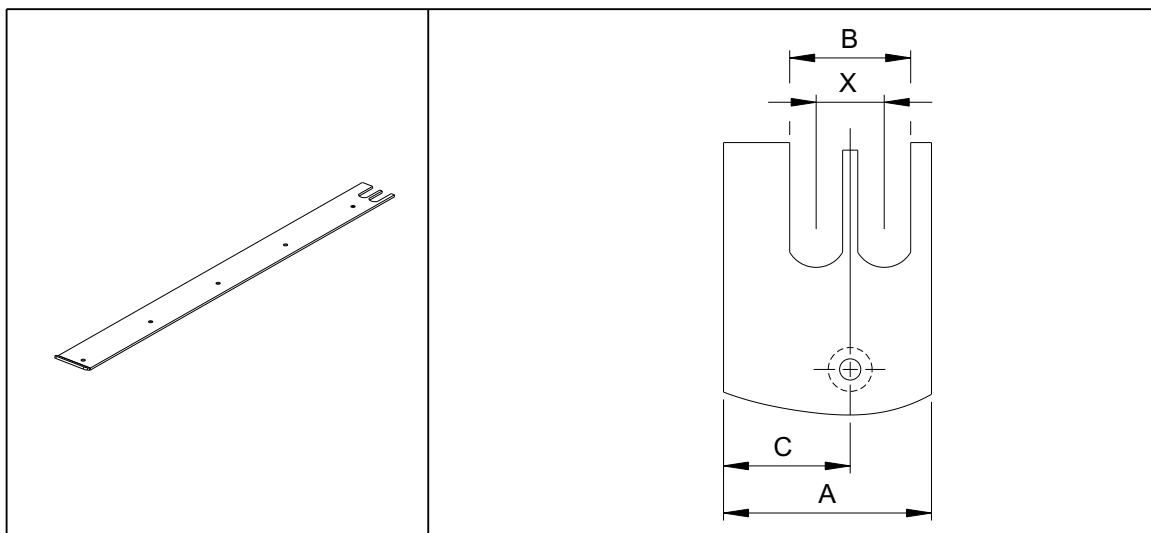


LOWER PATCH GUIDE PLATE-DOUBLE WELT	SIZE "X"	SIZE "A"	SIZE "B"
68.9905.0.807	6,35 mm	13 mm	10 mm
68.9905.0.808	8 mm	14,5 mm	11,5 mm
68.9905.0.810	10 mm	18,5 mm	14,5 mm
68.9905.0.812	12 mm	22,5 mm	16 mm
68.9905.0.814	14 mm	26,5 mm	18 mm
68.9905.0.816	16 mm	30,5 mm	20 mm
68.9905.0.818	18 mm	34,5 mm	22,4 mm
68.9905.0.820	20 mm	38,5 mm	24,4 mm

WELT SECTION-PATCH GUIDE DOUBLE

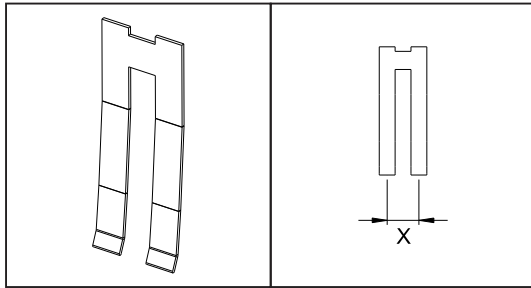


LOWER PATCH GUIDE SINGLE WELT-ASSY.	LOWER PATCH GUIDE PLATE-SINGLE WELT	SIZE "X"
68.9908.0.007	68.9907.0.807	6,35 mm
68.9908.0.008	68.9907.0.808	8 mm
68.9908.0.010	68.9907.0.810	10 mm
68.9908.0.012	68.9907.0.812	12 mm
68.9908.0.014	68.9907.0.814	14 mm
68.9908.0.016	68.9907.0.816	16 mm
68.9908.0.018	68.9907.0.818	18 mm
38.9908.0.020	68.9907.0.820	20 mm

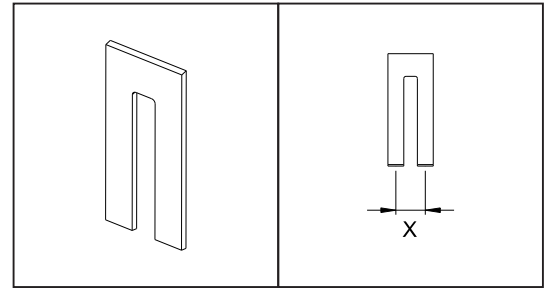


LOWER PATCH GUIDE PLATE-SINGLE WELT	SIZE "X"	SIZE "A"	SIZE "B"	SIZE "C"
68.9907.0.807	6,35 mm	15,7 mm	10 mm	9,2 mm
68.9907.0.808	8 mm	18,5 mm	11,5 mm	11,25 mm
68.9907.0.810	10 mm	24 mm	14 mm	15 mm
68.9907.0.812	12 mm	27,5 mm	16 mm	16,75 mm
68.9907.0.814	14 mm	33 mm	18 mm	20 mm
68.9907.0.816	16 mm	38,5 mm	20 mm	23,5 mm
68.9907.0.818	18 mm	43,5 mm	22,4 mm	26,25 mm
68.9907.0.820	20 mm	48,5 mm	24,4 mm	29,25 mm

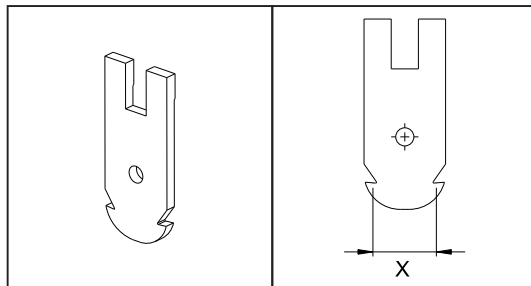
WELT SECTION-PATCH GUIDE SINGLE



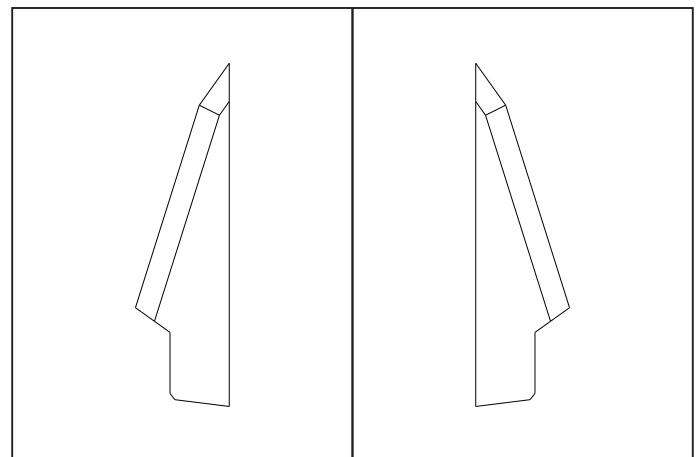
OUTSIDE SPRING	SIZE "X"
68.9909.0.814	6,35/8/10 mm
	12 mm
	14 mm
68.9909.0.818	16 mm
	18 mm
68.9909.0.824	20, 22, 24 mm



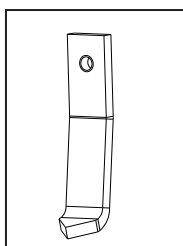
TOP THREAD TRIMMER	SIZE "X"
68.9910.0.814	6,35/8/10 mm
	12 mm
	14 mm
68.9910.0.818	16 mm
	18 mm
68.9910.0.824	20, 22, 24 mm



INSIDE KNIFE	SIZE "X"
68.9911.0.807	6,35 mm
	8 mm
68.9911.0.810	10 mm
68.9911.0.812	12 mm
68.9911.0.814	14 mm
68.9911.0.816	16 mm
68.9911.0.818	18 mm
68.9911.0.820	20 mm

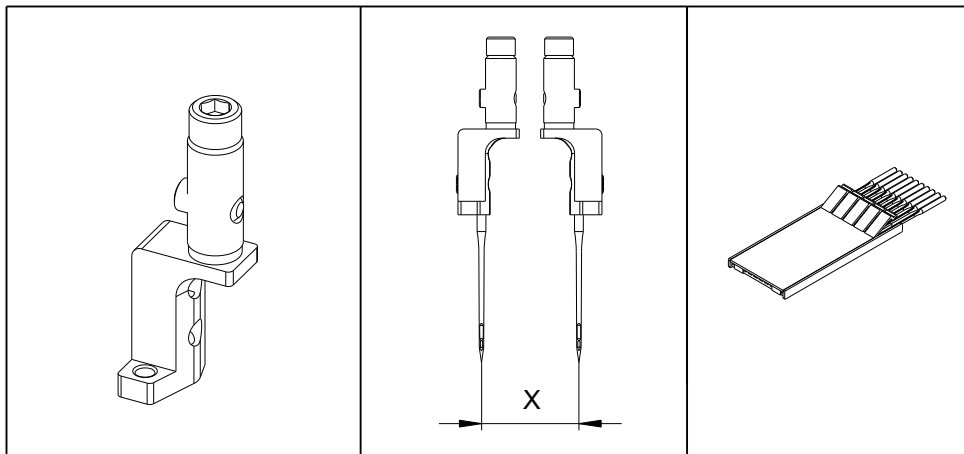


CORNER KNIFE	SIZE "X"
69.0052.0.008	6,35 mm
	8 mm
	10 mm
69.0052.0.012	12 mm
	14 mm
68.0052.0.018	16 mm
	18 mm
68.0052.0.020	20 - 28 mm



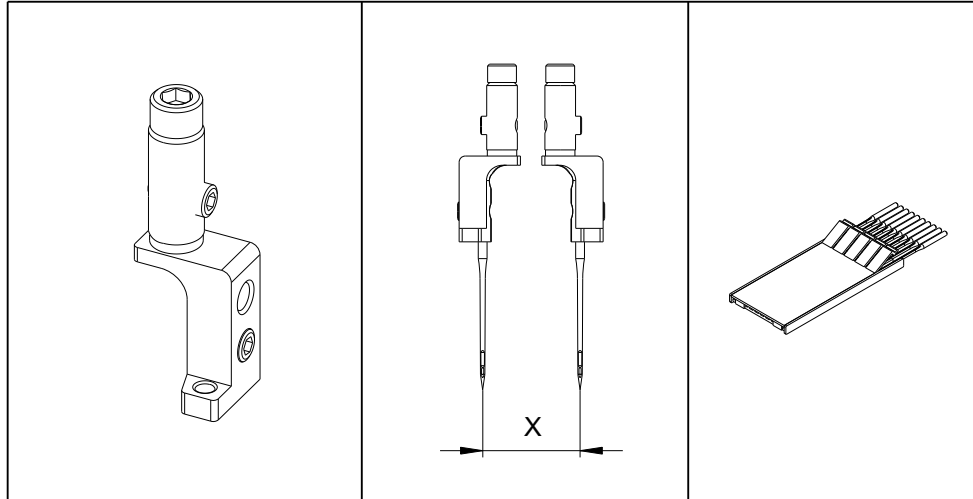
KNIFE GUARD	SIZE "X"
68.9912.0.807	6,35 mm
	8 mm
68.9912.0.810	10 mm
	12 mm
	14 mm
	16 mm
68.9912.0.818	18 mm
	20 mm

WELT SECTION - AP

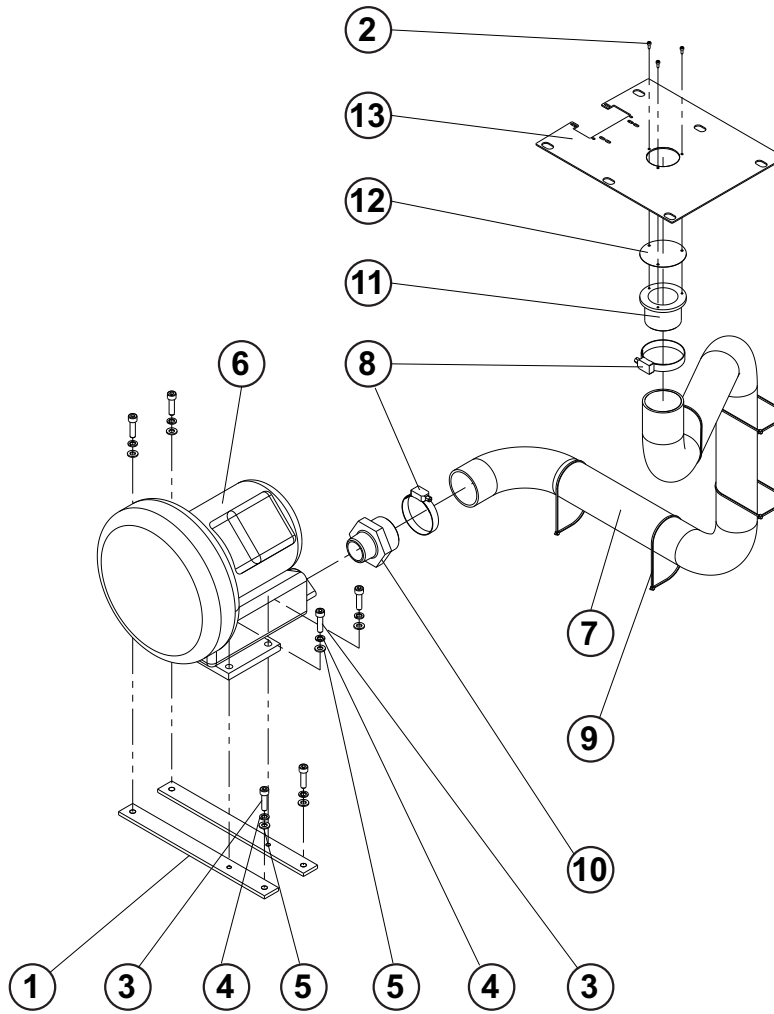


NEEDLE HEAD - left	SIZE "X"	NEEDLES 134 - 35
68.9914.0.610	10 mm	02.1341.0.109-80 Nm 02.1341.0.110-90 Nm 02.1341.0.111-100 Nm
68.9914.0.612	12 mm	
68.9914.0.614	14 mm	
68.9914.0.616	16 mm	
68.9914.0.618	18 mm	
68.9914.0.620	20 mm	

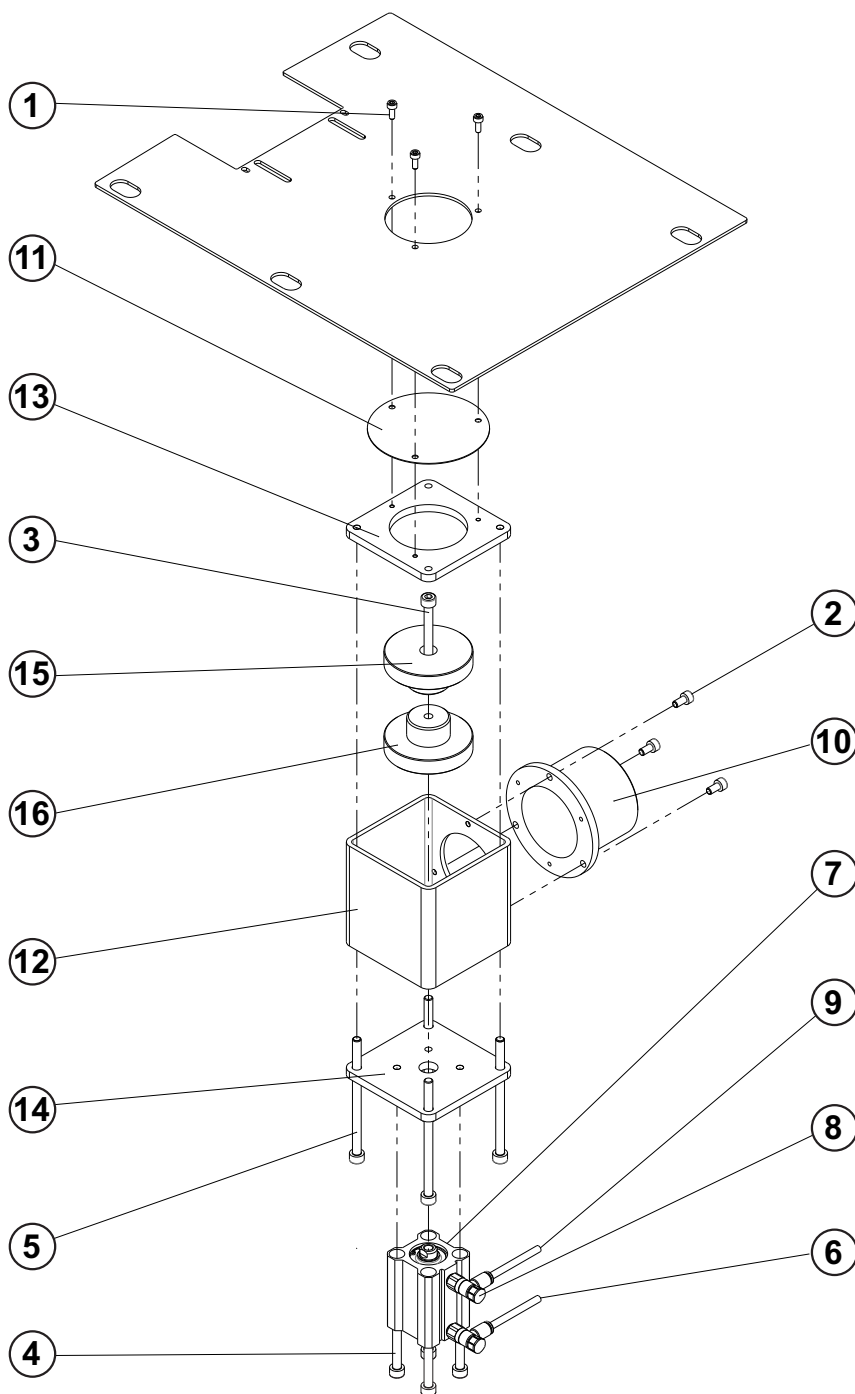
WELT SECTION - AP



NEEDLE HEAD - right	SIZE "X"	NEEDLES 134 - 35
68.9915.0.610	10 mm	02.1341.0.109-80 Nm 02.1341.0.110-90 Nm 02.1341.0.111-100 Nm
68.9915.0.612	12 mm	
68.9915.0.614	14 mm	
68.9915.0.616	16 mm	
68.9915.0.618	18 mm	
68.9915.0.620	20 mm	



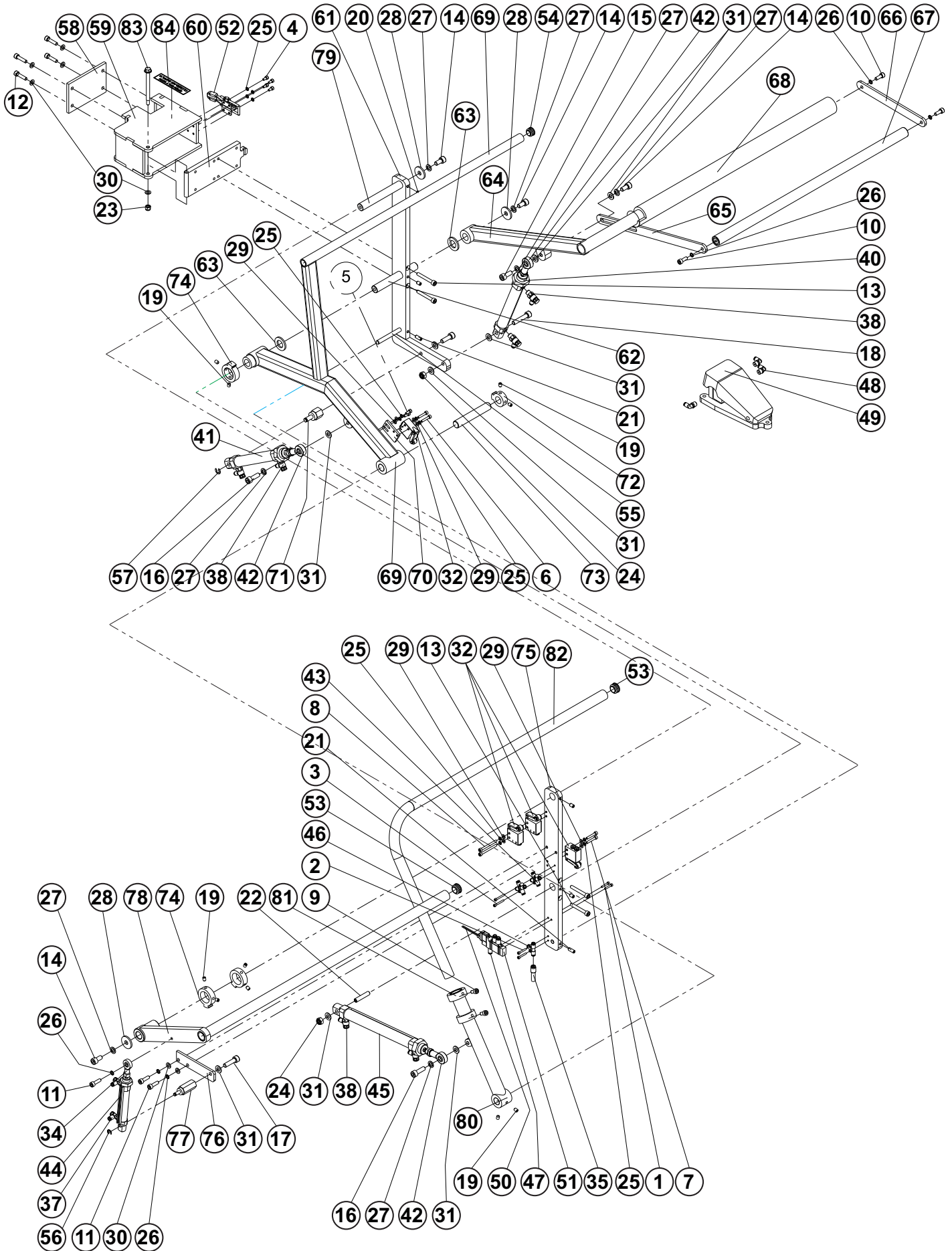
CENTRAL VACUUM



CENTRAL VACUUM

DET	PART NUMBER	DESCRIPTION	QTY.
01	08.6002.3.008	SCREW M3-8	3
02	08.6002.4.008	SCREW M4-8	3
03	08.6002.5.045	SCREW M5-45	1
04	08.6002.5.050	SCREW M5-50	4
05	08.6002.5.070	SCREW M5-70	4
06	12.0008.3.416	AIR TUBE	
07	12.0008.3.708	CYLINDER	1
08	12.0010.3.047	SPEED CONTR. AS	2
09	12.0010.3.080	AIR TUBE	
10	68.0257.0.400	BUSHING	1
11	68.0258.0.800	GRATING	1
12	68.0381.0.600	BASE	1
13	68.0382.0.800	BASE PLATE	1
14	68.0383.0.800	CYLINDER PLATE	1
15	68.0384.0.300	COLLAR	1
16	68.0385.0.300	COLLAR	1

STACKER ASSEMBLY

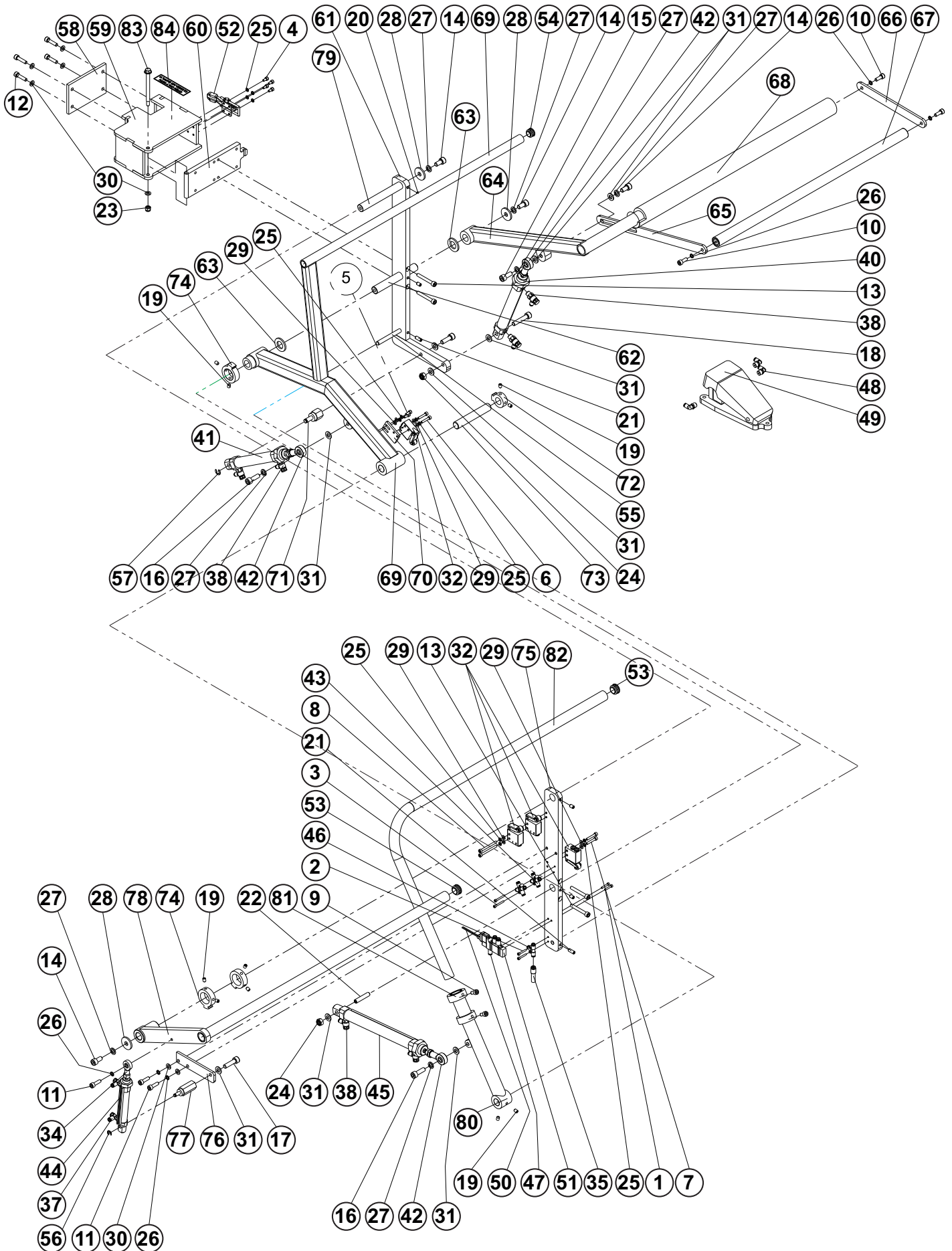


STACKER ASSEMBLY

DET	PART NUMBER	DESCRIPTION	QTY.
01	08.6002.3.018	SCREW M3-18	2
02	08.6002.3.020	SCREW M3-20	2
03	08.6002.3.025	SCREW M3-25	2
04	08.6002.4.008	SCREW M4-8	4
05	08.6002.4.010	SCREW M4-10	2
06	08.6002.4.022	SCREW M4-22	2
07	08.6002.4.025	SCREW M4-25	2
08	08.6002.4.045	SCREW M4-45	2
09	08.6002.6.012	SCREW M6-12	2
10	08.6002.6.016	SCREW M6-16	3
11	08.6002.6.020	SCREW M6-20	3
12	08.6002.6.025	SCREW M6-25	4
13	08.6002.6.045	SCREW M6-45	4
14	08.6002.8.016	SCREW M8-16	4
15	08.6002.8.020	SCREW M8-20	1
16	08.6002.8.025	SCREW M8-25	3
17	08.6002.8.030	SCREW M8-30	1
18	08.6002.8.040	SCREW M8-40	1
19	08.6402.6.008	SCREW M6-8	10
20	08.6402.6.010	SCREW M6-10	4
21	08.6402.6.016	SCREW M6-16	2
22	08.6402.8.040	SCREW M8-40	1
23	08.6732.6.000	NUT M6	1
24	08.6733.8.000	NUT M8	2
25	08.6802.4.000	SPRING WASHER M4	12
26	08.6802.6.000	SPRING WASHER M6	6
27	08.6802.8.000	SPRING WASHER M8	7
28	08.6842.8.000	WASHER M8	3
29	08.6852.4.000	WASHER M4	8
30	08.6852.6.000	WASHER 6,4	7
31	08.6852.8.000	WASHER M8	10
32	12.0008.3.278	MECHANICAL VALVE	4
33	12.0008.3.416	TUBE	
34	12.0008.3.700	BEARING ROD	1
35	12.0008.3.716	REDUCER	1
36	12.0008.4.140	SPIRAL HOSE	
37	12.0010.3.047	SPEED CONTR.	2
38	12.0010.3.076	SPEED VALVE	6
39	12.0010.3.080	TUBE	
40	12.0010.3.082	CYLINDER	1
41	12.0010.3.082	CYLINDER	1
42	12.0010.3.083	KNUCKLE	3
43	12.0010.3.085	CONNECTOR	2
44	12.0010.3.086	CYLINDER	1
45	12.0010.3.087	CYLINDER	1
46	12.0010.3.088	CONNECTOR	1



STACKER ASSEMBLY

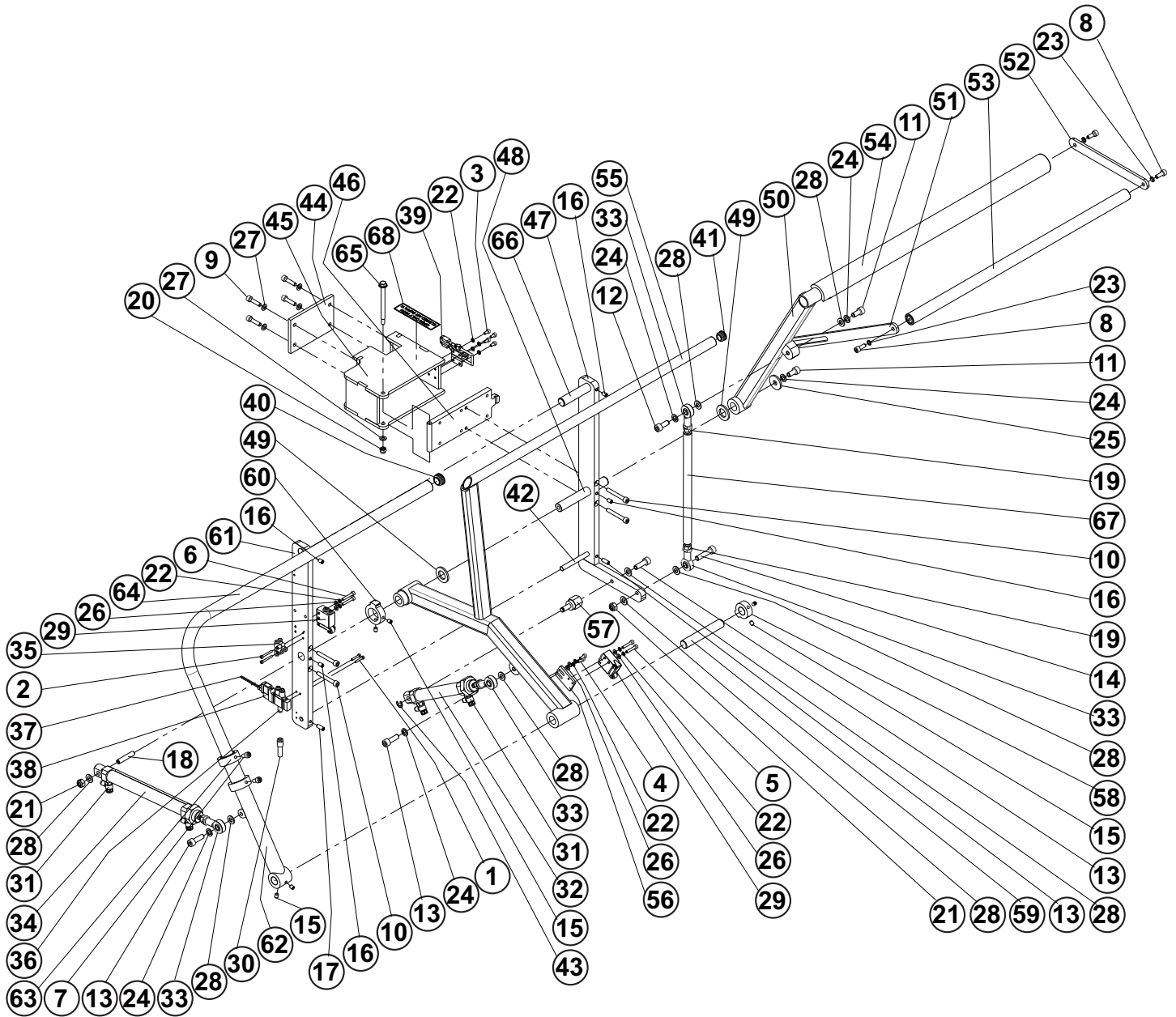


STACKER ASSEMBLY



DET	PART NUMBER	DESCRIPTION	QTY.
47	12.0010.3.089	CONNECTOR	1
48	12.0010.3.090	KQ2L04-01AS CONNECTOR	3
49	12.0010.3.091	5/2 FOOT SWITCH	1
50	12.0010.3.108	CABLE	1
51	12.0010.3.109	5/2 VALVE	1
52	12.0010.6.219	KEYLESS	1
53	12.0010.6.914	PLUG 21x2,5	2
54	12.0010.6.915	PLUG 18x2,5	1
55	12.1010.2.036	PIN 8h6x80	1
56	12.1045.0.005	E-CLIP 5	1
57	12.1045.0.007	RETAINER RING 7	1
58	68.0260.0.800	PLATE	1
59	68.0261.0.000	HOLDER	1
60	68.0262.0.800	BRACKET	1
61	68.0263.0.000	LEVER	1
62	68.0264.0.300	SHAFT	1
63	68.0265.0.100	WASHER M16	2
64	68.0266.0.000	LEVER	1
65	68.0267.0.800	LEVER	1
66	68.0268.0.800	LEVER	1
67	68.0269.0.000	TUBE	1
68	68.0270.0.993	TUBE COVER	1
69	68.0271.0.000	LEVER	1
70	68.0272.0.800	PLATE	1
71	68.0273.0.300	STUD	1
72	68.0274.0.400	SENSOR RING	1
73	68.0275.0.300	BAR	1
74	68.0276.0.400	SENSOR RING	3
75	68.0277.0.800	HOLDER	1
76	68.0278.0.800	PLATE	1
77	68.0279.0.300	STUD	1
78	68.0280.0.000	LEVER	1
79	68.0281.0.300	SHAFT	1
80	68.0282.0.000	LEVER	1
81	68.0283.0.400	CLAMP RING	2
82	68.0284.0.000	TUBE	1
83	68.0359.0.300	STUD	1
84	12.8000.0.452	LABEL	1

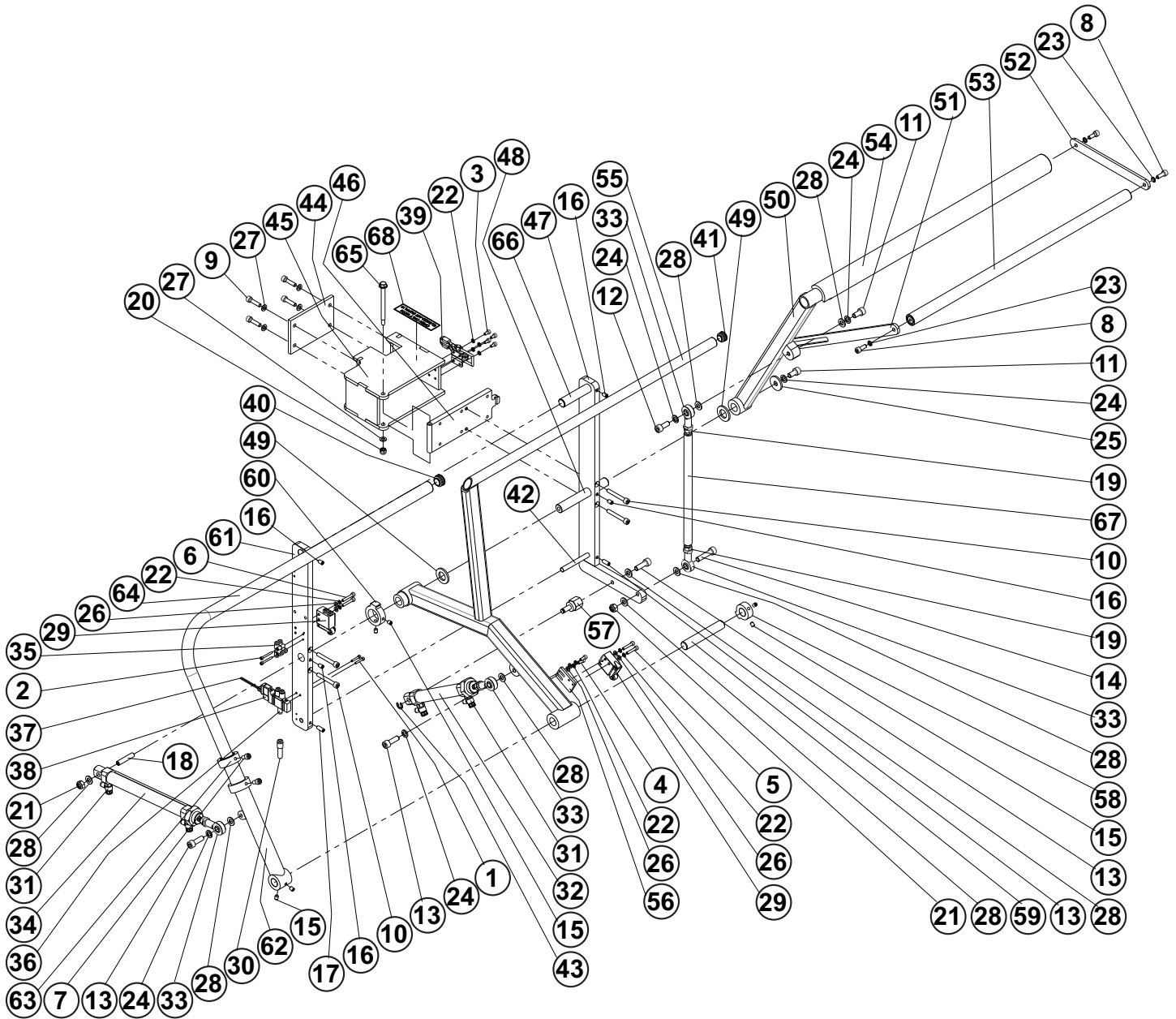
TROUSERS STACKER



TROUSERS STACKER

DET	PART NUMBER	DESCRIPTION	QTY.
01	08.6002.3.018	SCREW M3-18	2
02	08.6002.3.025	SCREW M3-25	2
03	08.6002.4.008	SCREW M4-8	4
04	08.6002.4.010	SCREW M4-10	2
05	08.6002.4.022	SCREW M4-22	2
06	08.6002.4.025	SCREW M4-25	2
07	08.6002.6.012	SCREW M6-12	2
08	08.6002.6.016	SCREW M6-16	3
09	08.6002.6.025	SCREW M6-25	4
10	08.6002.6.045	SCREW M6-45	4
11	08.6002.8.016	SCREW M8-16	2
12	08.6002.8.020	SCREW M8-20	1
13	08.6002.8.025	SCREW M8-25	3
14	08.6002.8.035	SCREW M8-35	1
15	08.6402.6.008	SCREW M6-8	6
16	08.6402.6.010	SCREW M6-10	4
17	08.6402.6.016	SCREW M6-16	2
18	08.6402.8.040	SCREW M8-40	1
19	08.6702.8.000	NUT M8	2
20	08.6732.6.000	NUT M6	1
21	08.6733.8.000	NUT M8	2
22	08.6802.4.000	SPRING WASHER M4	10
23	08.6802.6.000	SPRING WASHER M6	3
24	08.6802.8.000	SPRING WASHER M8	5
25	08.6842.8.000	WASHER M8	1
26	08.6852.4.000	WASHER M4	6
27	08.6852.6.000	WASHER 6,4	5
28	08.6852.8.000	WASHER M8	8
29	12.0008.3.278	MECHANICAL VALVE	2
30	12.0008.3.716	REDUCER	1
31	12.0010.3.076	SPEED VALVE	4
32	12.0010.3.082	CYLINDER	1
33	12.0010.3.083	KNUCKLE JOINTS	4
34	12.0010.3.087	CYLINDER	1
35	12.0010.3.088	CONNECTOR	2
36	12.0010.3.089	CONNECTOR	1
37	12.0010.3.108	CABLE	1
38	12.0010.3.109	5/2 VALVE	1
39	12.0010.6.219	KEYLESS	1
40	12.0010.6.914	PLUG 21x2,5	1
41	12.0010.6.915	PLUG 18x2,5	1
42	12.1010.2.036	PIN 8h6x80	1
43	12.1045.0.007	RETAINER RING 7	1
44	68.0260.0.800	PLATE	1
45	68.0261.0.000	HOLDER	1
46	68.0262.0.800	BRACKET	1

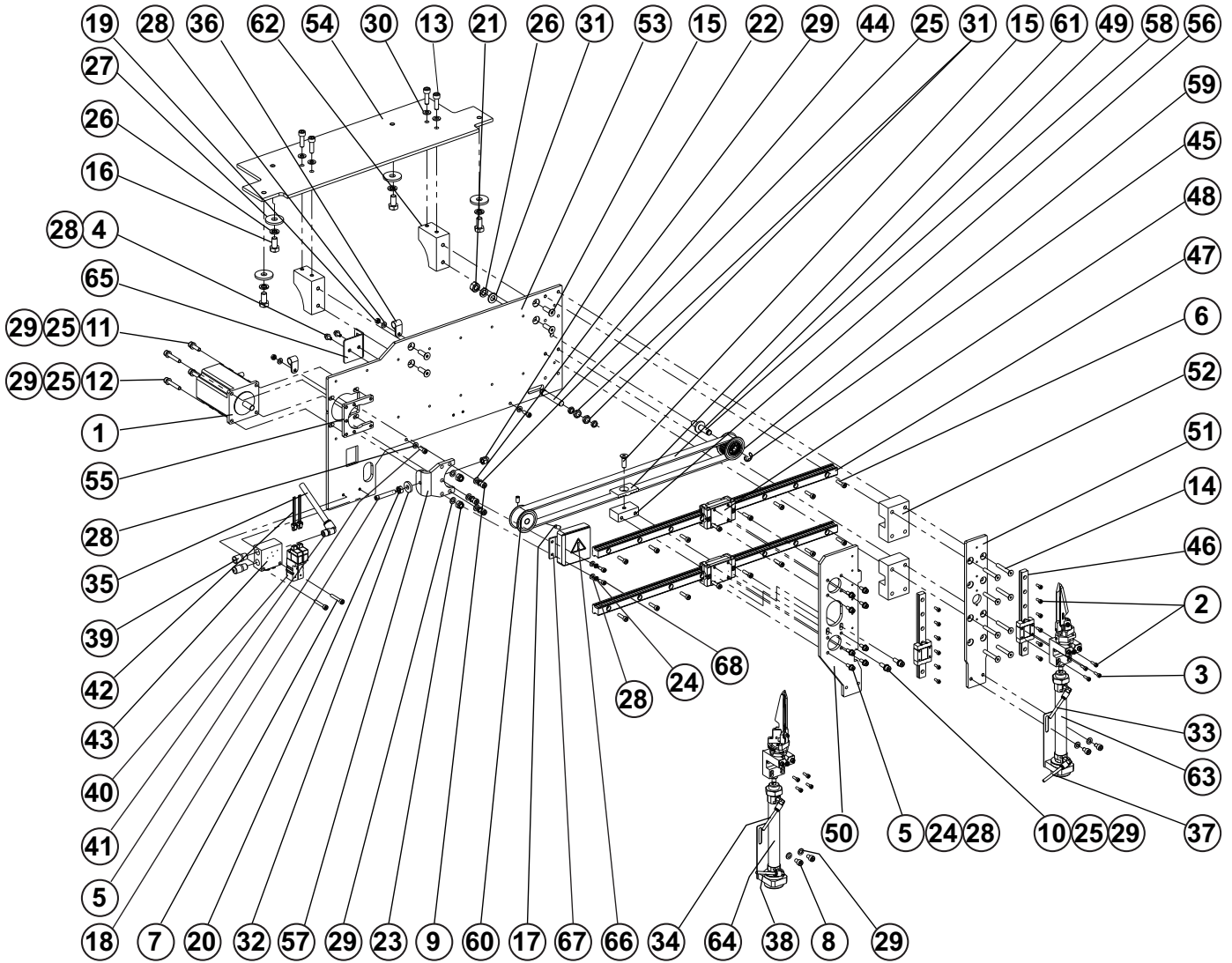
TROUSERS STACKER



TROUSERS STACKER

DET	PART NUMBER	DESCRIPTION	QTY.
47	68.0263.0.000	LEVER	1
48	68.0264.0.300	SHAFT	1
49	68.0265.0.100	WASHER M16	2
50	68.0266.0.000	LEVER	1
51	68.0267.0.800	LEVER	1
52	68.0268.0.800	LEVER	1
53	68.0269.0.000	TUBE	1
54	68.0270.0.993	TUBE COVER	1
55	68.0271.0.000	LEVER	1
56	68.0272.0.800	PLATE	1
57	68.0273.0.300	STUD	1
58	68.0274.0.400	SENSOR RING	1
59	68.0275.0.300	BAR	1
60	68.0276.0.400	SENSOR RING	1
61	68.0277.0.800	HOLDER	1
62	68.0282.0.000	LEVER	1
63	68.0283.0.400	CLAMP RING	2
64	68.0284.0.000	TUBE	1
65	68.0359.0.300	STUD	1
66	68.0386.0.300	BAR	1
67	68.0388.0.300	SHAFT	1
68	12.8000.0.452	LABEL	1

CORNER KNIFE UNIT WITH STEPPER MOTOR

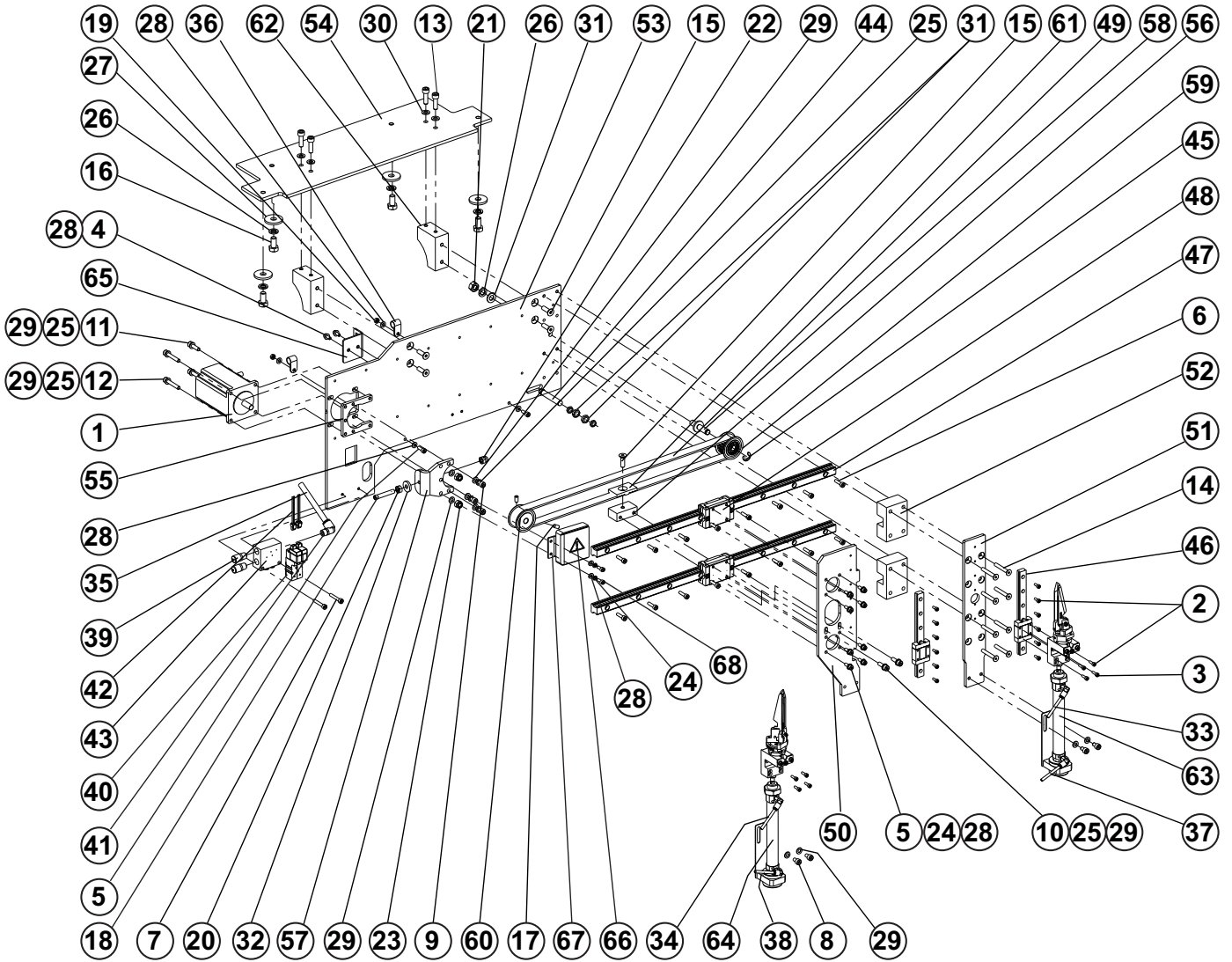


CORNER KNIFE UNIT WITH STEPPER MOTOR

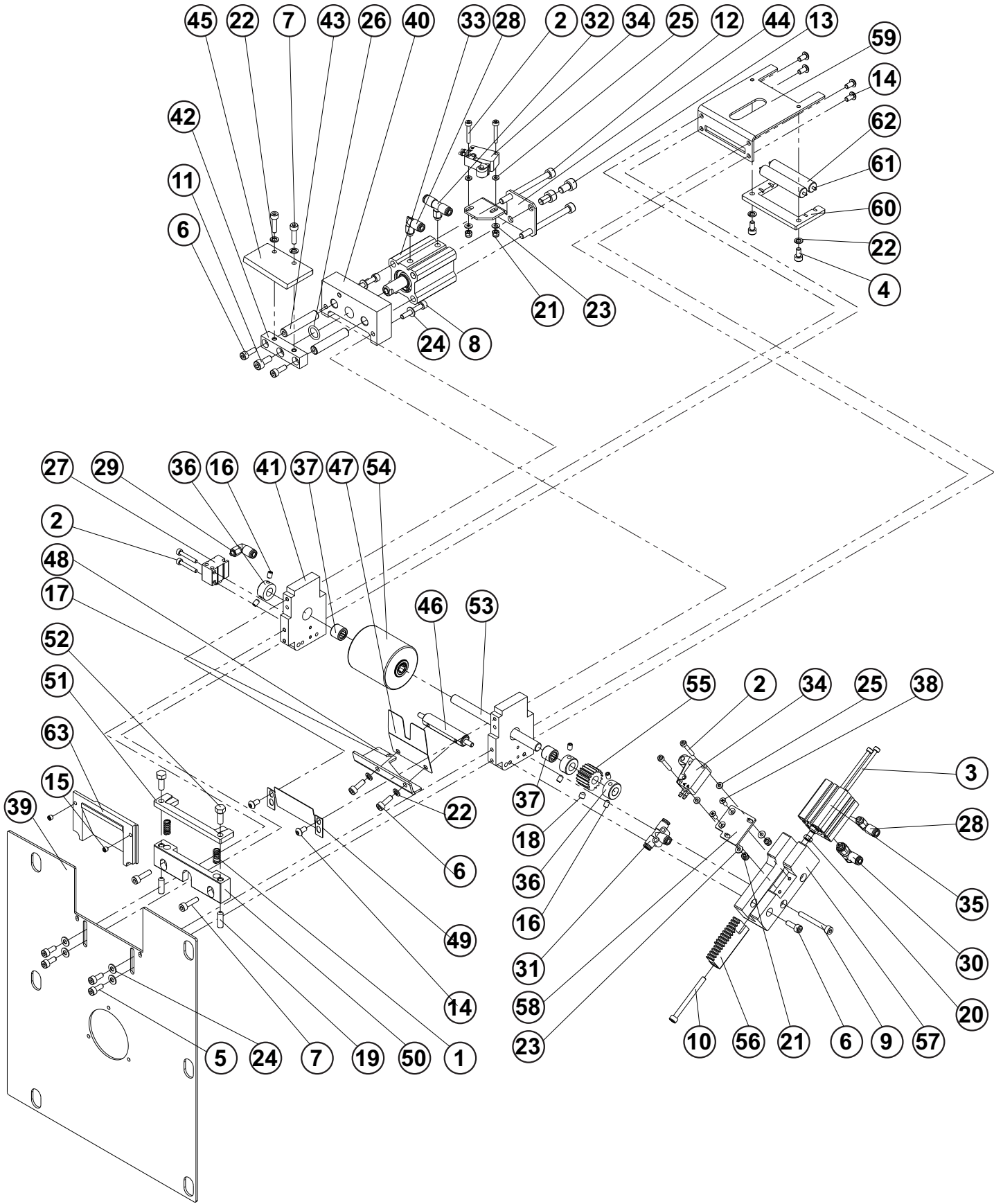
DET	PART NUMBER	DESCRIPTION	QTY.
01	06.6800.0.051	STEPPER MOTOR SM3 ASSY.	1
02	08.6002.3.008	SCREW M3-8	16
03	08.6002.3.016	SCREW M3-16	4
04	08.6002.4.008	SCREW M4-8	2
05	08.6002.4.012	SCREW M4-12	10
06	08.6002.4.016	SCREW M4-16	16
07	08.6002.4.025	SCREW M4-25	2
08	08.6002.5.008	SCREW M5-8	4
09	08.6002.5.012	SCREW M5-12	3
10	08.6002.5.016	SCREW M5-16	2
11	08.6002.5.018	SCREW M5-18	2
12	08.6002.5.030	SCREW M5-30	2
13	08.6002.6.020	SCREW M6-20	4
14	08.6102.5.035	SCREW M5-35	8
15	08.6102.6.020	SCREW M6-20	5
16	08.6312.8.016	SCREW M8-16	4
17	08.6402.5.010	SCREW M5-10	2
18	08.6402.6.030	SCREW M6-30	1
19	08.6702.4.000	NUT M4	2
20	08.6702.6.000	NUT M6	1
21	08.6702.8.000	NUT M8	1
22	08.6722.6.000	NUT M6	1
23	08.6732.5.000	NUT M5	2
24	08.6802.4.000	SPRING WASHER M4	10
25	08.6802.5.000	SPRING WASHER M5	9
26	08.6802.8.000	SPRING WASHER M8	5
27	08.6842.8.000	WASHER M8	4
28	08.6852.4.000	WASHER M4	16
29	08.6852.5.000	WASHER 5,3	15
30	08.6852.6.000	WASHER 6,4	4
31	08.6852.8.000	WASHER M8	3
32	08.6892.6.000	WASHER M6	1
33	12.0008.3.416	AIR TUBE	-
34	12.0008.3.416	AIR TUBE	-
35	12.0008.3.431	AIR TUBING	-
36	12.0008.4.253	CLAMP CABLE	2
37	12.0010.3.080	AIR TUBE	-
38	12.0010.3.080	AIR TUBE	-
39	12.0010.3.099	SILENCER	2
40	12.0010.3.105	5/2 VALVE	2
41	12.0010.3.106	CONNECTOR	1
42	12.0010.3.108	CABLE	2
43	12.0010.3.110	MANIFOLD PLATE	1
44	12.0010.4.025	SENSOR	1
45	12.1045.0.006	RETAINER RING	1
46	12.2070.1.069	GUIDE	2



CORNER KNIFE UNIT WITH STEPPER MOTOR



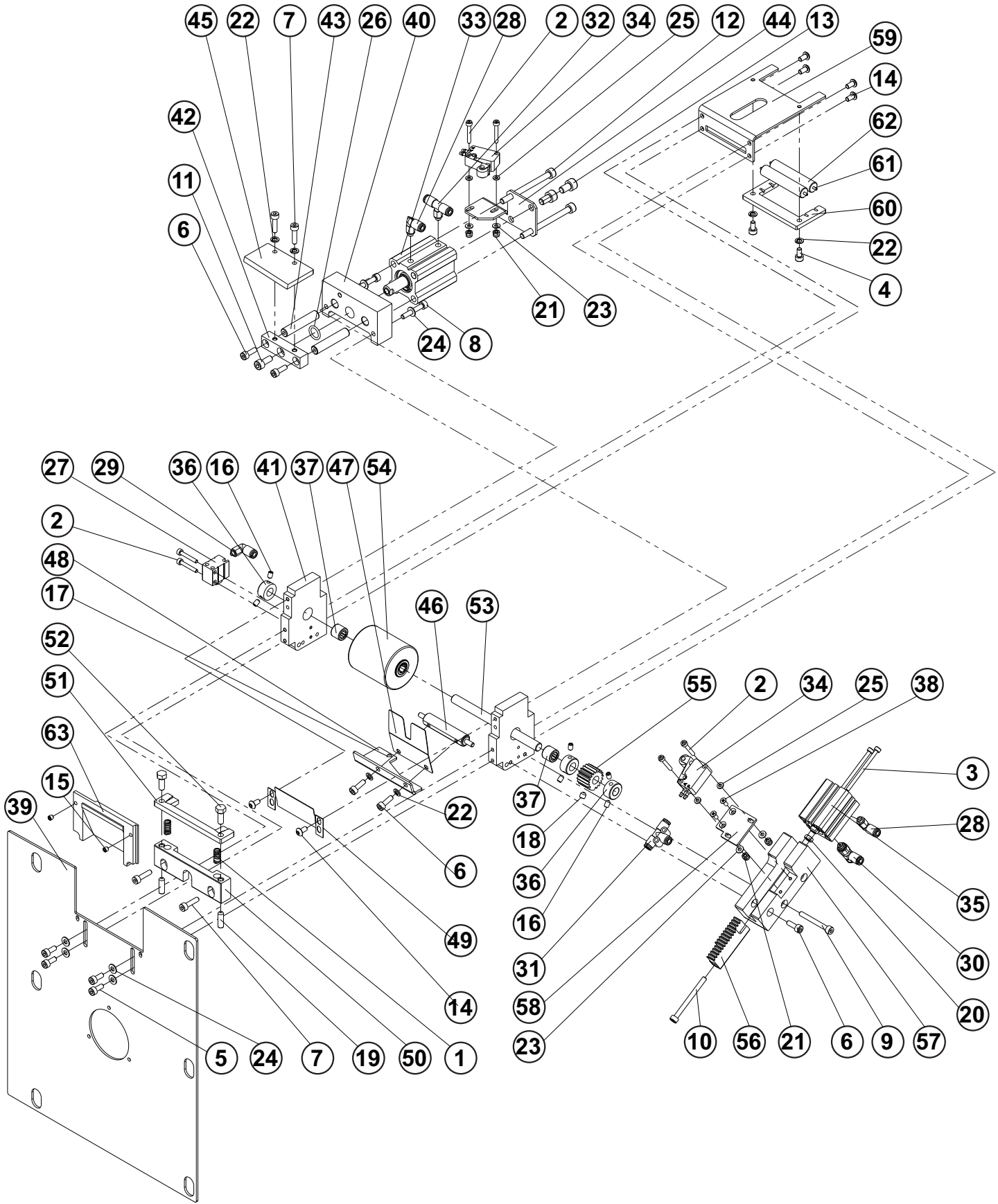
AUTOMATIC LOADING AND CUTTING DEVICE



AUTOMATIC LOADING AND CUTTING DEVICE

DET	PART NUMBER	DESCRIPTION	QTY.
01	07.6440.0.052	SPRING	2
02	08.6002.3.020	SCREW M3-20	6
03	08.6002.3.050	SCREW M3-50	2
04	08.6002.4.008	SCREW M4-8	2
05	08.6002.4.010	SCREW M4-10	4
06	08.6002.4.012	SCREW M4-12	5
07	08.6002.4.016	SCREW M4-16	4
08	08.6002.4.025	SCREW M4-25	2
09	08.6002.4.035	SCREW M4-35	1
10	08.6002.4.045	SCREW M4-45	1
11	08.6002.5.012	SCREW M5-12	1
12	08.6002.5.060	SCREW M5-60	2
13	08.6002.6.010	SCREW M6-10	2
14	08.6202.4.008	SCREW M4-8	6
15	08.6402.4.004	SCREW M4-4	2
16	08.6402.4.006	SCREW M4-6	6
17	08.6402.4.008	SCREW M4-8	1
18	08.6402.5.005	SCREW M5-5	1
19	08.6402.5.012	SCREW M5-16	2
20	08.6702.4.000	NUT M4	1
21	08.6733.3.000	NUT M3 D	4
22	08.6802.4.000	SPRING WASHER M4	6
23	08.6852.3.000	WASHER M3	4
24	08.6852.4.000	WASHER M4	6
25	08.6887.3.000	WASHER 1x3x6	4
26	12.0008.6.800	O-RING 10x2	1
27	12.0010.3.126	CYLINDER	1
28	12.0010.3.028	CONNECTOR	2
29	12.0010.3.036	CONNECTOR	1
30	12.0010.3.047	SPEED CONTR.	1
31	12.0010.3.088	CONNECTOR	1
32	12.0010.3.092	CONNECTOR	1
33	12.0010.3.093	CYLINDER	1
34	12.0010.3.102	3/2 MECHANUCAL VALVE	2
35	12.0010.3.016	CYLINDER	1
36	12.1050.0.003	CLAMP COLLAR 6	3
37	12.2050.0.011	BEARING	2
38	15.1420.0.100	SCREW M3-8	2
39	68.0259.1.800	PLATE	1
40	68.0285.0.600	CYLINDER PLATE	1
41	68.0286.0.600	BEARING BRACKET	2
42	68.0287.0.600	KNIFE HOLDER	1
43	68.0288.0.300	SHAFT	2
44	68.0289.0.800	HOLDER	1
45	68.0290.0.800	KNIFE	1
			

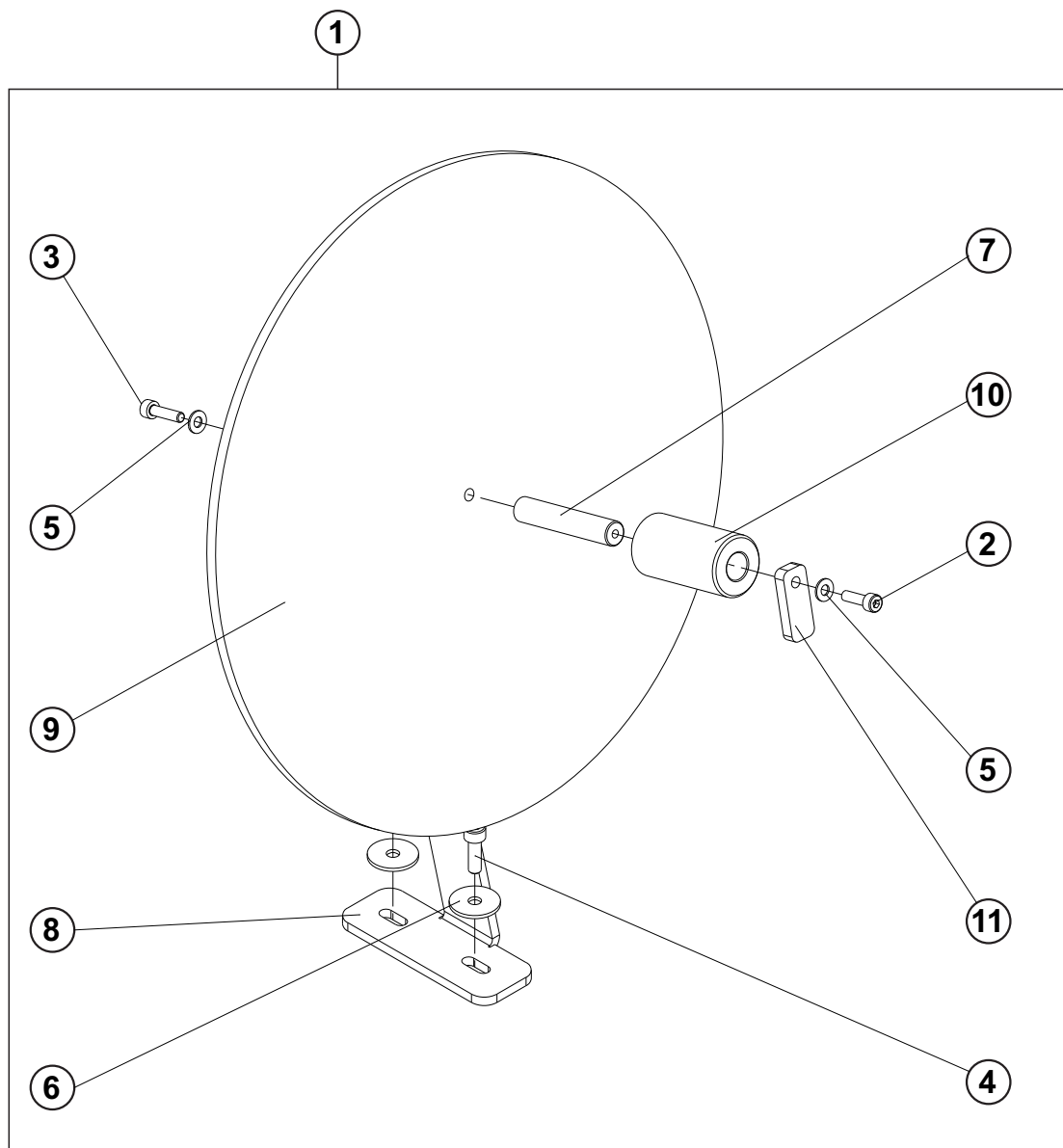
AUTOMATIC LOADING AND CUTTING DEVICE



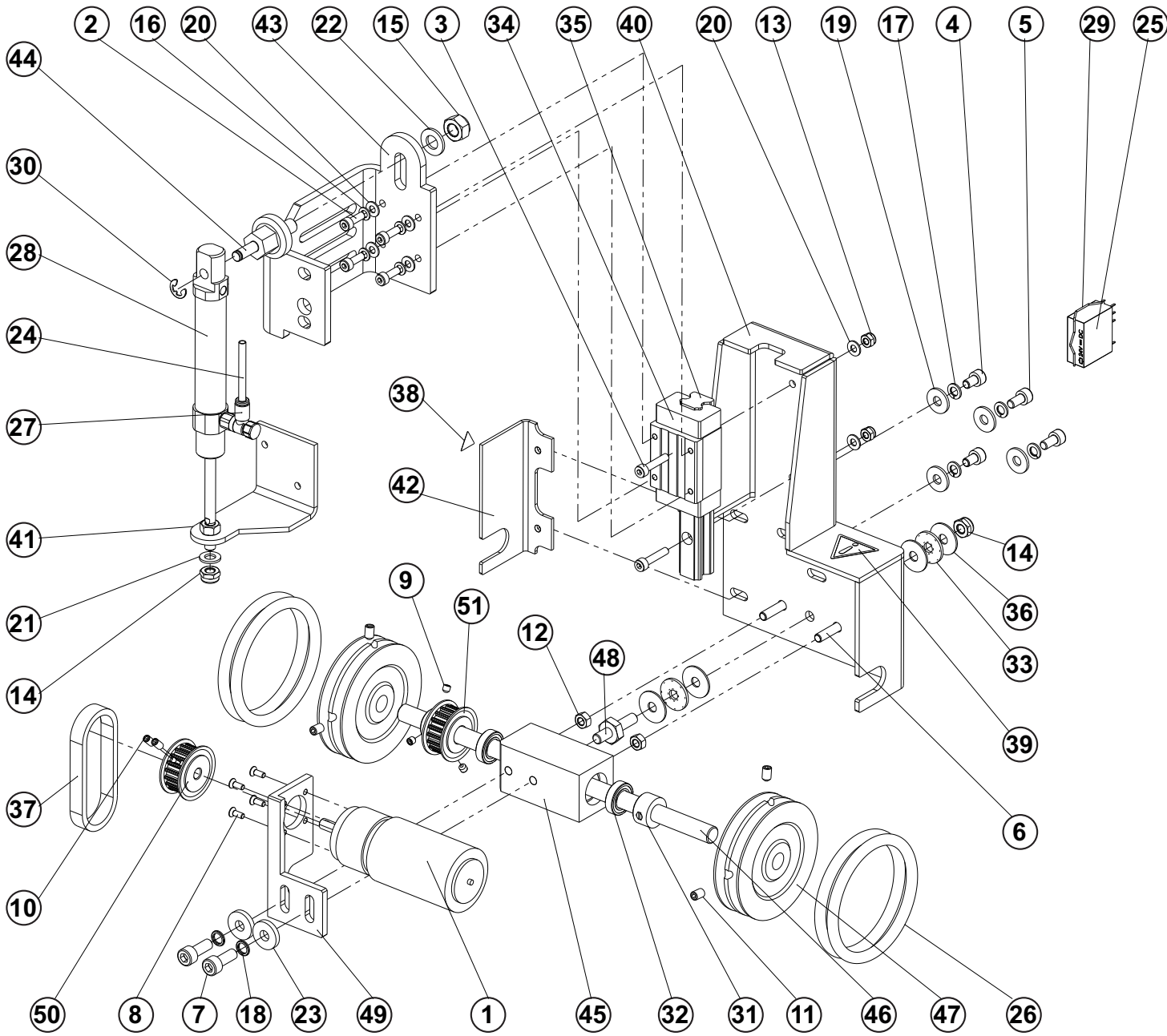
AUTOMATIC LOADING AND CUTTING DEVICE


DET	PART NUMBER	DESCRIPTION	QTY.
46	68.0291.0.300	SHAFT	1
47	68.0292.0.800	TAPE CLAMPER - MOVING	1
48	68.0293.0.800	DRIVER	1
49	68.0294.0.800	TAPE CLAMPER	1
50	68.0295.0.600	HOLDER	1
51	68.0296.0.800	HOLDER	1
52	68.0297.0.300	STUD	2
53	68.0298.0.300	SHAFT	1
54	68.0300.0.000	ROLLER ASSY.	1
55	68.0301.0.500	GEAR	1
56	68.0302.0.500	LINEAR GEAR	1
57	68.0303.0.600	MOVING ARM	1
58	68.0304.0.800	PLATE	1
59	68.0305.0.800	HOLDER	1
60	68.0306.0.800	HOLDER PLATE	1
61	68.0307.0.300	PIN 2h9-59	2
62	68.0308.0.400	ROLL	2
63	68.0364.0.600	TAPE GUIDE	1

AUTOMATIC LOADING AND CUTTING DEVICE



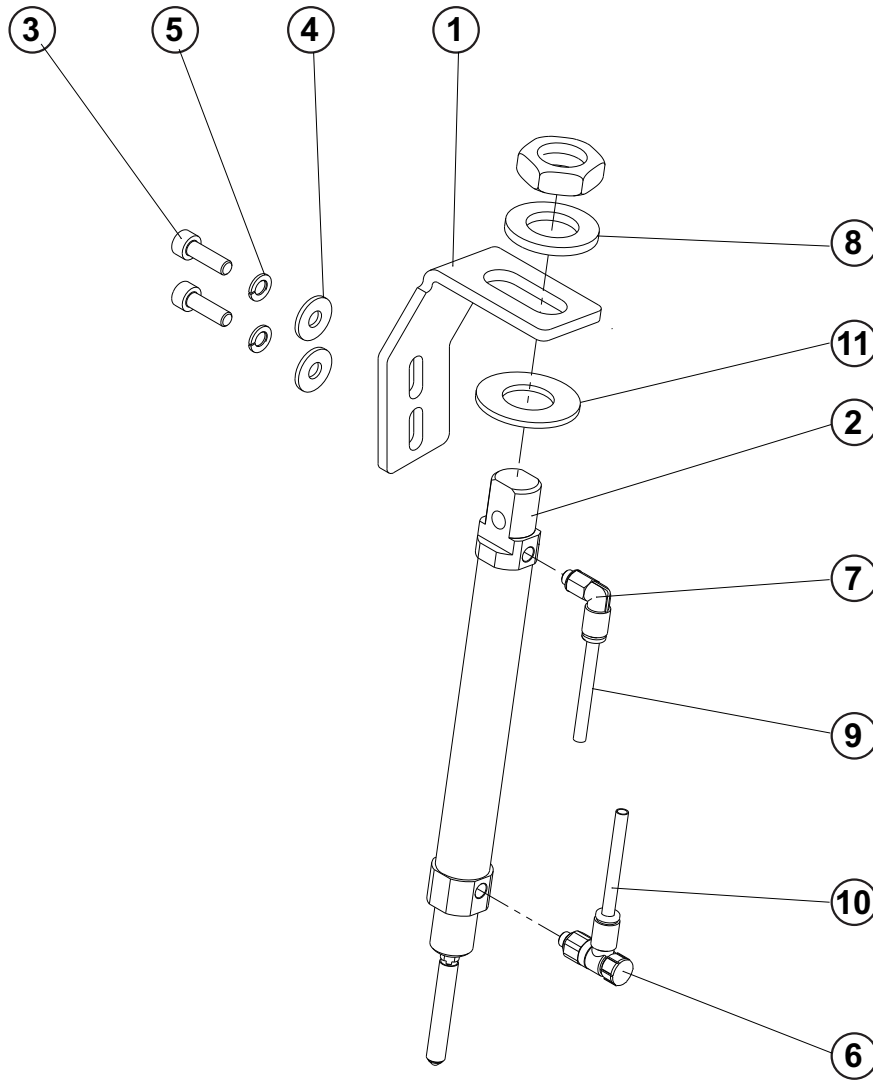
AUSROLE UNIT



AUSROLE UNIT

DET	PART NUMBER	DESCRIPTION	QTY.
01	06.6800.0.075	MOTOR AUSROLE ASSY.	1
02	08.6002.4.012	SCREW M4-12	4
03	08.6002.4.020	SCREW M4-20	2
04	08.6002.5.008	SCREW M5-8	2
05	08.6002.5.010	SCREW M5-10	2
06	08.6002.5.020	SCREW M5-20	2
07	08.6002.6.016	SCREW M6-16	2
08	08.6102.3.008	SCREW M3-8	4
09	08.6402.4.004	SCREW M4-4	3
10	08.6402.4.008	SCREW M4-8	2
11	08.6402.5.008	SCREW M5-8	4
12	08.6702.5.000	NUT M5	2
13	08.6732.4.000	NUT M4	2
14	08.6733.6.000	M6 NUT	2
15	08.6733.8.000	NUT M8	1
16	08.6802.4.000	SPRING WASHER M4	4
17	08.6802.5.000	SPRING WASHER M5	4
18	08.6802.6.000	SPRING WASHER M6	2
19	08.6842.5.000	WASHER 5	4
20	08.6852.4.000	WASHER M4	6
21	08.6852.6.000	WASHER 6,4	1
22	08.6852.8.000	WASHER M8	1
23	08.6892.6.000	WASHER M6	2
24	12.0008.3.416	AIR TUBE- J18B	1
25	12.0008.4.720	RELAY	1
26	12.0008.6.826	SILICONE O-RING	4
27	12.0010.3.113	SPEED CONTOLLER	1
28	12.0010.3.209	CYLINDER	1
29	12.0010.4.271	CLAMP	1
30	12.1045.0.005	E-CLIP 5	1
31	12.1050.0.005	CLAMP COLLAR 10	1
32	12.2010.0.052	BEARING	2
33	12.2060.0.008	AXIAL BEARING	2
34	12.2070.1.068	LINEAR GUIDE	1
35	12.2070.1.074	RAIL	1
36	12.2099.5.003	AXIAL	4
37	12.5050.2.045	BELT	1
38	12.8000.0.437	LABEL-DANGER INJURY	1
39	17.0097.5.174	LABEL- WARNING	1
40	68.0360.0.000	BRACKET	1
41	68.0362.0.800	BRACKET	1
42	68.0363.0.800	PULLEY COVER	1
43	68.0365.0.800	BRACKET	1
44	68.0366.0.300	SCREW PIN	1
45	68.0367.0.600	HOUSE	1
46	68.0368.0.300	SHAFT	1
47	68.0369.0.400	WHEEL	2
48	68.0370.0.300	STUD	1
49	68.0371.0.600	MOTOR BRACKET	1
50	68.0372.0.500	MOTOR PULLEY	1
51	68.0373.0.500	WHEEL SHAFT PULLEY	1

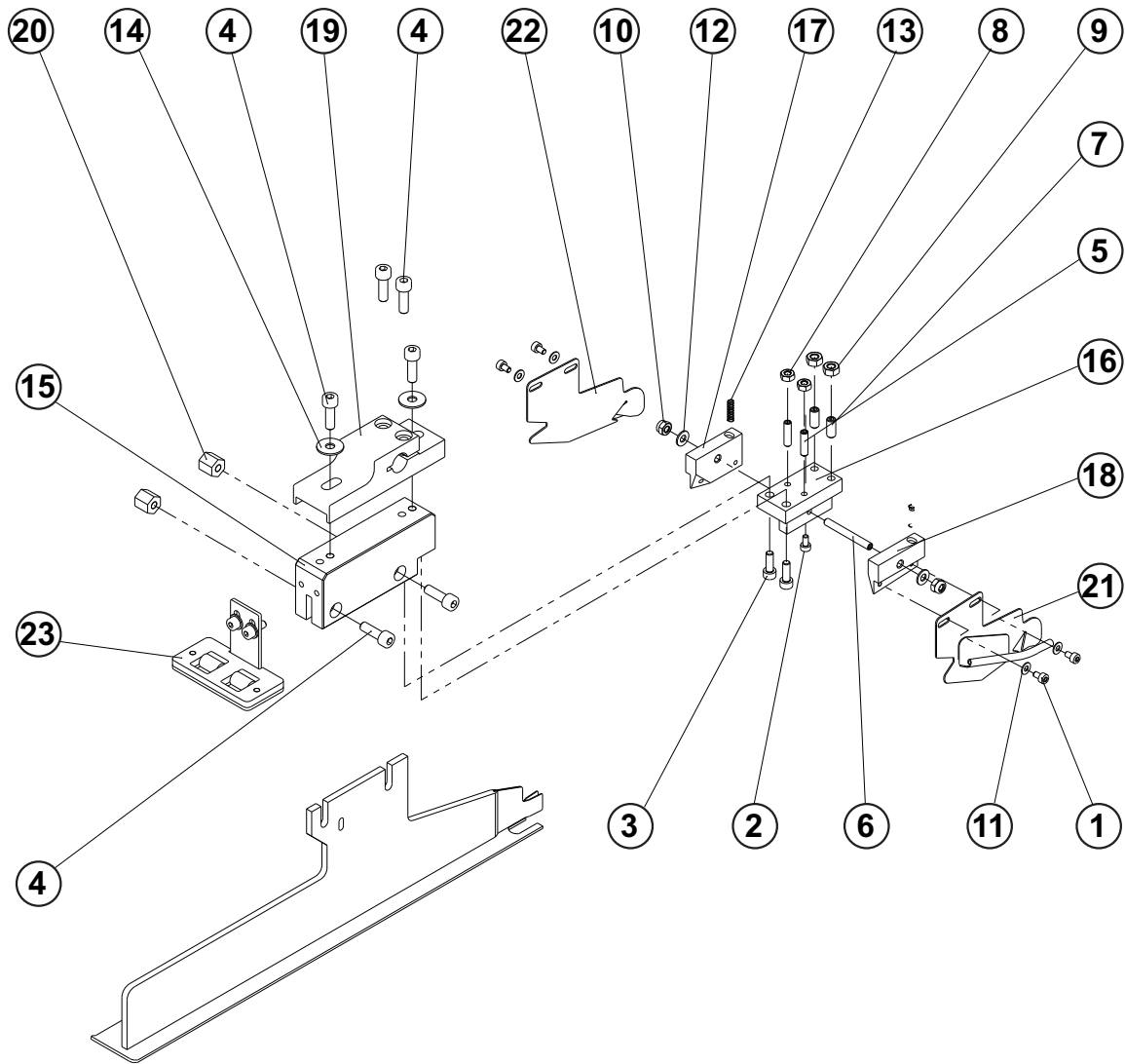
DART STRETCHER



DART STRETCHER

DET	PART NUMBER	DESCRIPTION	QTY.
01	68.0226.0.800	HOLDER	1
02	68.0227.0.000	DART STRETCHER CYLINDER	1
03	08.6002.5.016	SCREW M5-16	2
04	08.6842.5.000	WASHER 5	2
05	08.6802.5.000	SPRING WASHER M5	2
06	12.0010.3.047	SPEED CONTR.	1
07	12.0010.3.028	CONNECTOR	1
08	68.0265.0.100	WASHER M16	1
09	12.0010.3.080	AIR TUBE- J16A	
10	12.0008.3.416	AIR TUBE- J16B	
11	7002009	FLAT WASHER 5/8	1

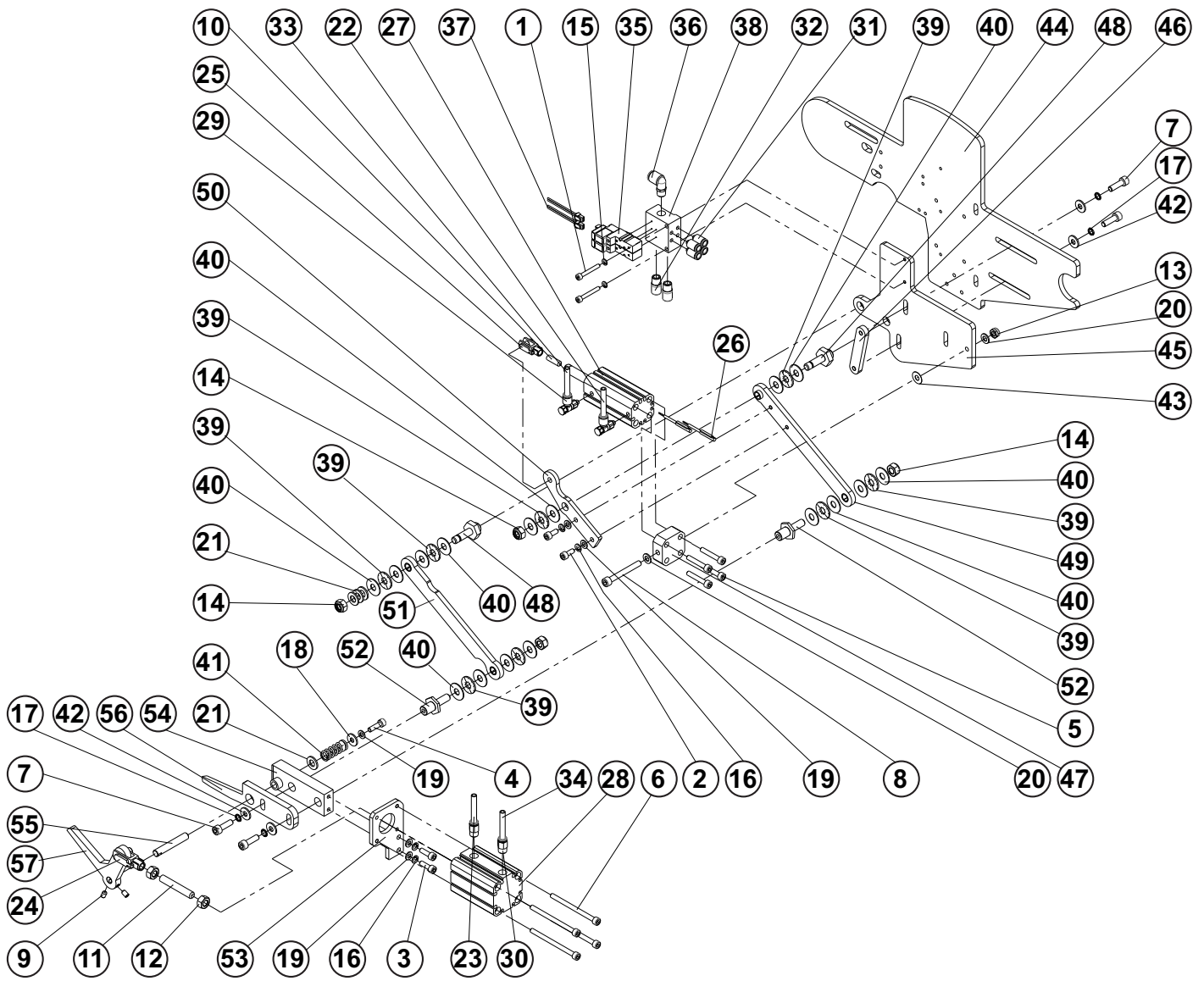
ZIPPER - PATCH GUIDE



ZIPPER - PATCH GUIDE

DET	PART NUMBER	DESCRIPTION	QTY.
01	08.6002.3.005	SCREW M3-5	4
02	08.6002.3.006	SCREW M3-6	1
03	08.6002.4.012	SCREW M4-12	2
04	08.6002.5.016	SCREW M5-16	6
05	08.6402.4.016	SCREW M4-16	2
06	08.6402.4.035	SCREW M4-35	1
07	08.6402.5.012	SCREW M5-12	2
08	08.6702.4.000	NUT M4	2
09	08.6702.5.000	NUT M5	2
10	08.6732.4.000	NUT M4	2
11	08.6852.3.000	WASHER M3	4
12	08.6852.4.000	WASHER M4	2
13	12.3010.0.025	SPRING	2
14	15.1142.0.400	WASHER	2
15	68.0104.0.600	CONNECTING PART	1
16	68.0105.0.600	PATCH GUIDE HOLDER	1
17	68.0106.0.600	HOLDER LEFT	1
18	68.0107.0.600	HOLDER RIGHT	1
19	68.0110.1.600	FOOT SUPPORT JOINT	1
20	68.0144.0.100	DISTANCE NUT M5-10-OK10	2
21	68.0314.0.000	SLIDE PLATE RIGHT ASSY- ZIPPER	1
22	68.0315.0.000	SLIDE PLATE LEFT ASSY.- ZIPPER	1
23	68.0318.0.050	ZIPPER GUIDE ASSY.	1

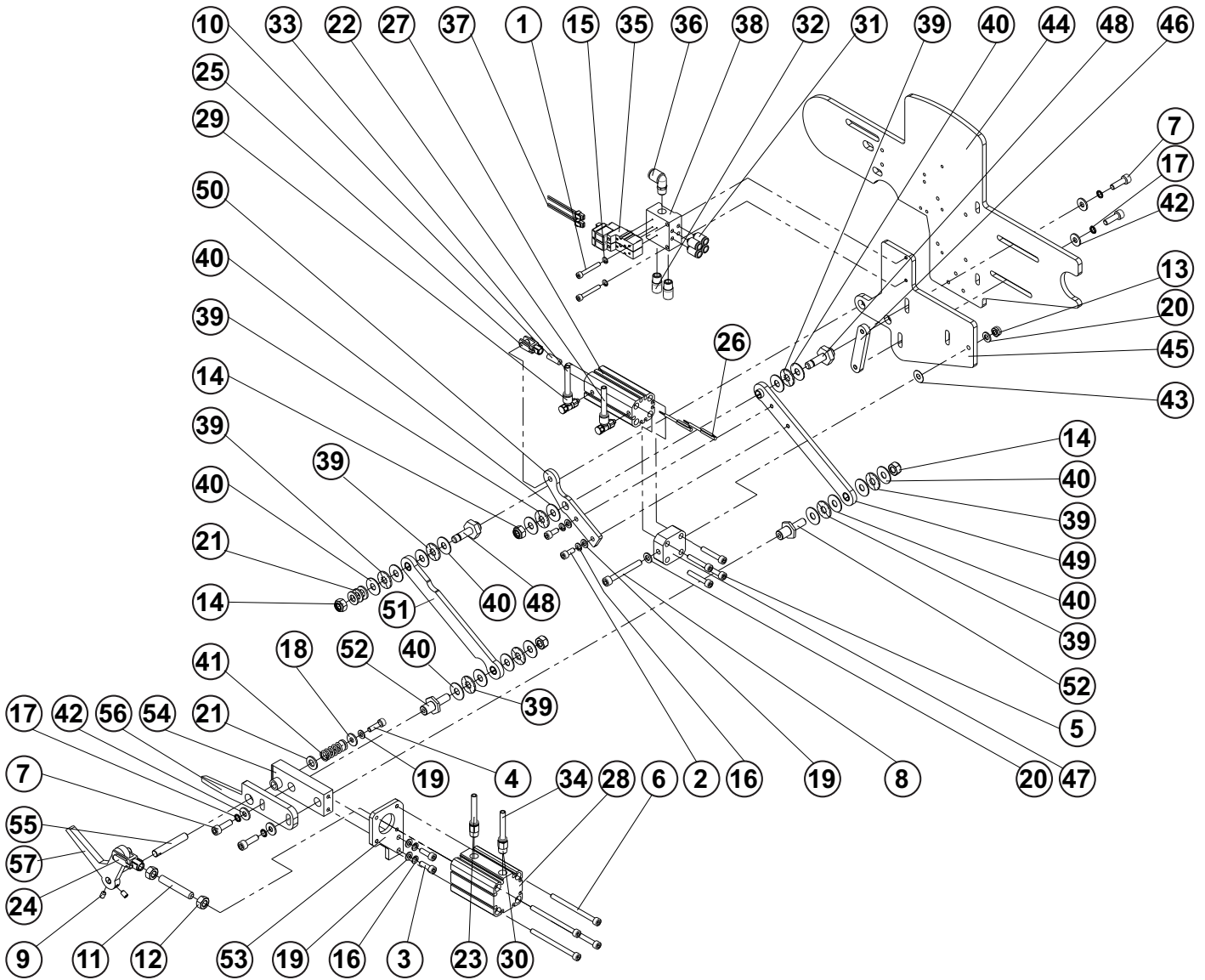
ZIPPER TRIMMING



ZIPPER TRIMMING

DET	PART NUMBER	DESCRIPTION	QTY.
01	08.6002.4.030	SCREW M4-30	2
02	08.6002.5.012	SCREW M5-12	2
03	08.6002.5.016	SCREW M5-16	2
04	08.6002.5.018	SCREW M5-18	1
05	08.6002.5.030	SCREW M5-30	4
06	08.6002.5.070	SCREW M5-70	4
07	08.6002.6.020	SCREW M6-20	4
08	08.6002.6.050	SCREW M6-50	1
09	08.6402.5.008	SCREW M5-8	2
10	08.6402.6.020	SCREW M6-20	1
11	08.6402.8.050	SCREW M8-50	1
12	08.6702.8.000	NUT M8	2
13	08.6733.6.000	M6 NUT	1
14	08.6733.8.000	NUT M8	4
15	08.6802.4.000	SPRING WASHER M4	2
16	08.6802.5.000	SPRING WASHER M5	4
17	08.6802.6.000	SPRING WASHER M6	4
18	08.6842.5.000	WASHER 5	1
19	08.6852.5.000	WASHER 5,3	5
20	08.6852.6.000	WASHER 6,4	2
21	08.6852.8.000	WASHER M8	4
22	12.0008.3.415	AIR TUBING - J28B	1
23	12.0008.3.415	AIR TUBING - J29B	1
24	12.0008.3.673	CLEVIS	1
25	12.0008.3.806	DOUBLE KNUCKLE JOINT	1
26	12.0008.3.825	SENSOR	2
27	12.0010.3.094	CYLINDER	1
28	12.0010.3.095	CYLINDER	1
29	12.0010.3.096	SPEED VALVE	2
30	12.0010.3.097	CONNECTOR	2
31	12.0010.3.098	CONNECTOR	4
32	12.0010.3.099	SILENCER	2
33	12.0010.3.101	AIR TUBING - J28A	1
34	12.0010.3.101	AIR TUBING - J29A	1
35	12.0010.3.105	5/2 VALVE	2
36	12.0010.3.106	CONNECTOR	1
37	12.0010.3.108	CABLE	2
38	12.0010.3.111	MANIFOLD PLATE	1
39	12.2060.0.006	AXIAL BEARING	8
40	12.2099.5.002	AXIAL RING	16
41	12.3010.0.024	SPRING	1
42	17.0019.0.232	WASHER	4
43	17.0019.0.239	WASHER	1
44	68.0321.0.800	REMOVABLE BRACKET - ZIPPER	1
45	68.0322.0.800	BASE PLATE	1
46	68.0323.0.800	NUT	1

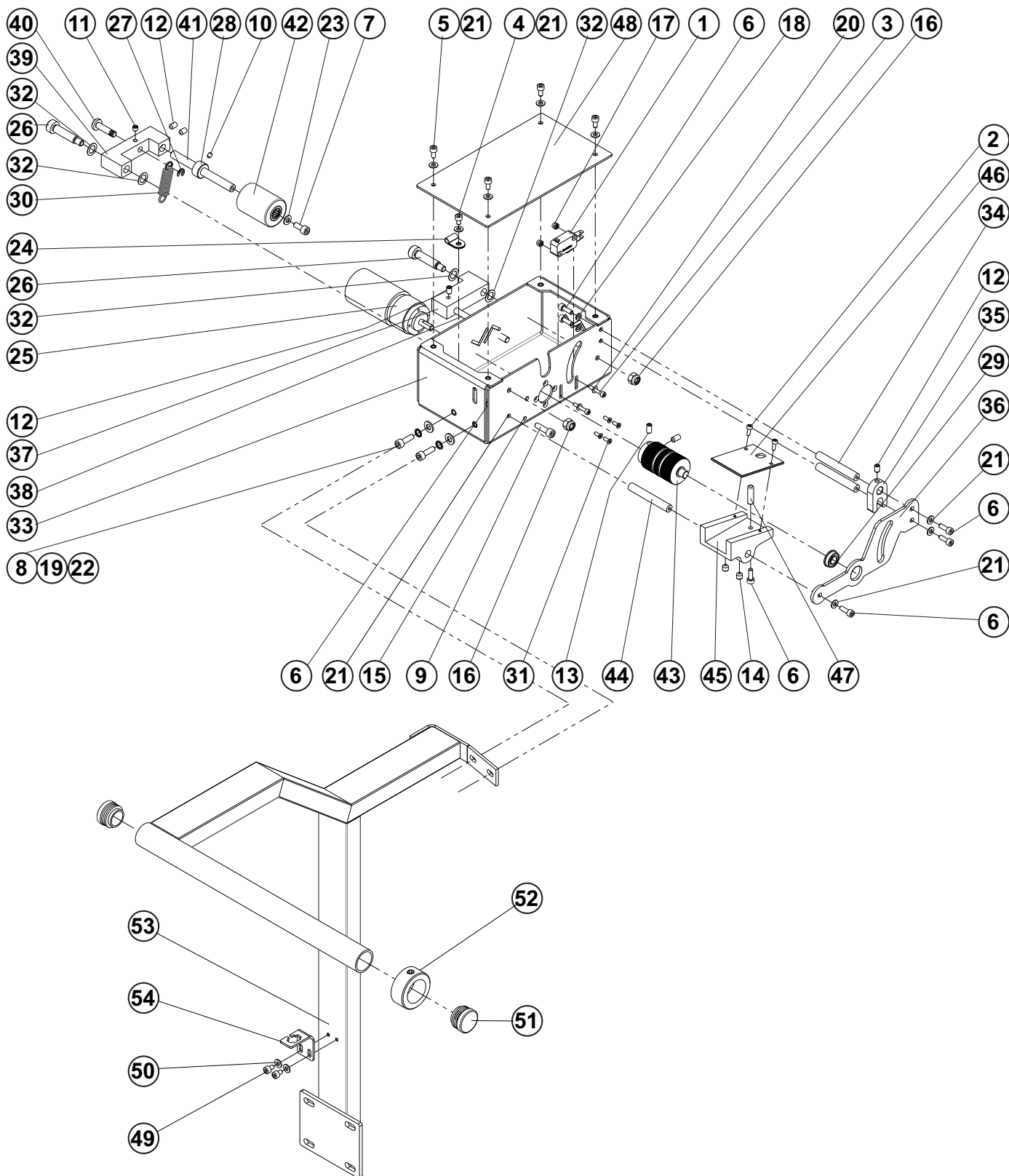
ZIPPER TRIMMING



ZIPPER TRIMMING

DET	PART NUMBER	DESCRIPTION	QTY.
47	68.0324.0.600	CYLINDER BRACKET	1
48	68.0325.0.300	STUD	2
49	68.0326.0.800	LEVER	1
50	68.0327.0.800	LEVER	1
51	68.0328.0.800	LEVER	1
52	68.0329.0.300	STUD	2
53	68.0330.0.800	CYLINDER HOLDER	1
54	68.0332.0.000	BRACKET	1
55	68.0333.0.300	STUD	1
56	68.0334.0.800	LOWER KNIFE	1
57	68.0335.0.800	KNIFE UPPER	1

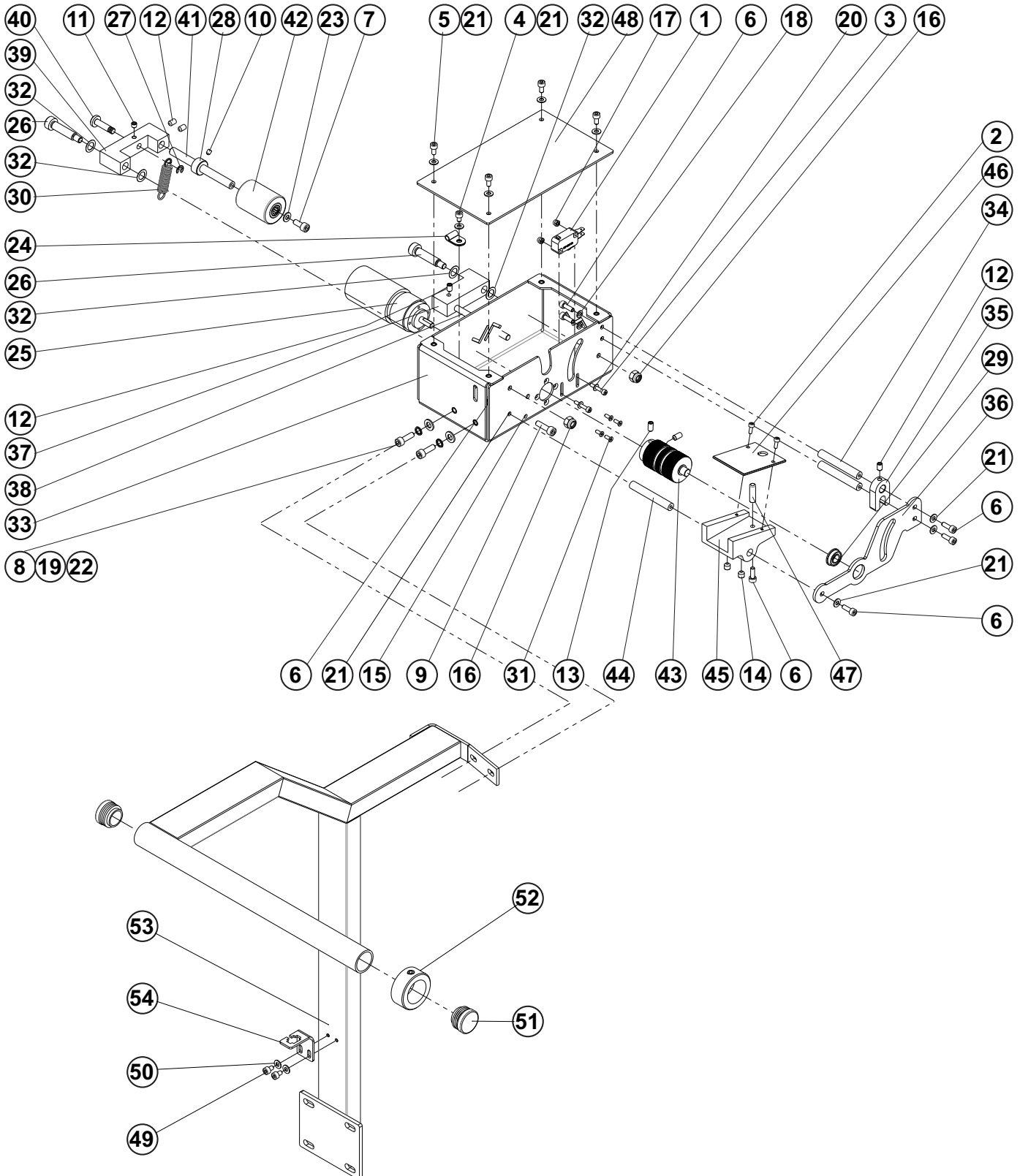
ZIPPER - COVER LOADER



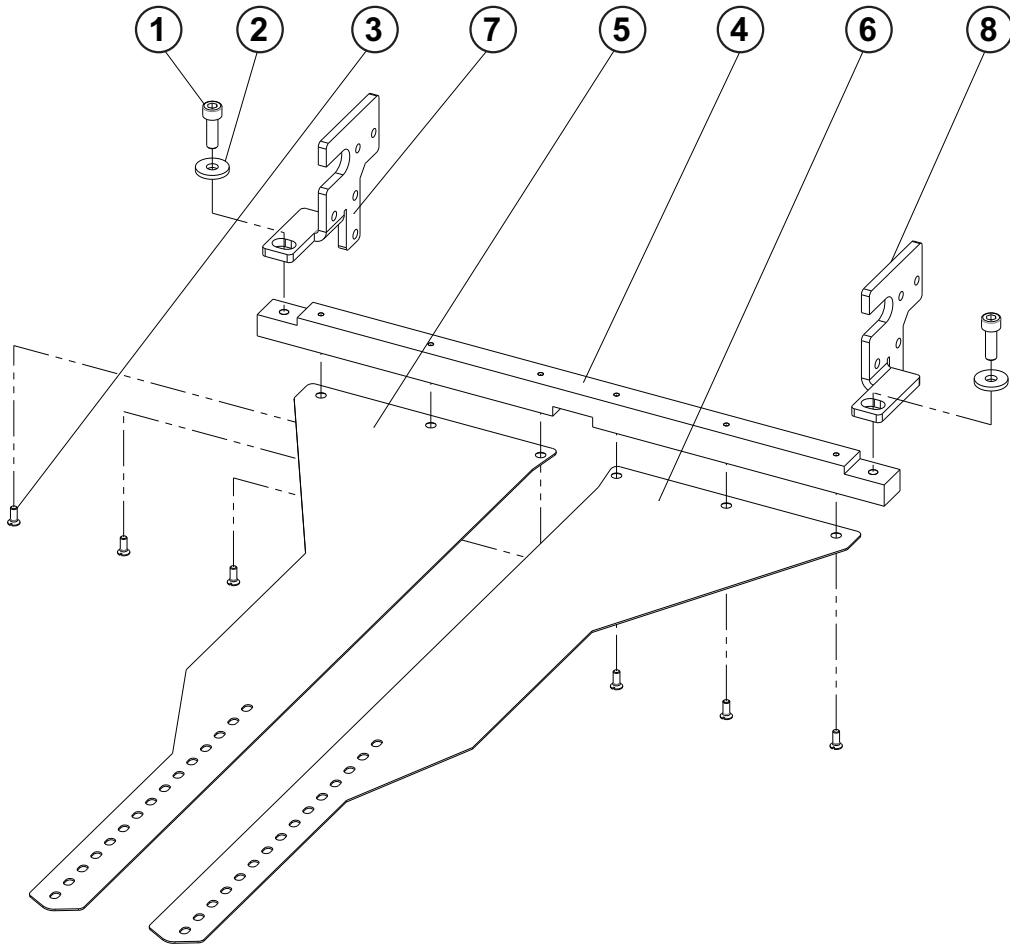
ZIPPER - COVER LOADER

DET	PART NUMBER	DESCRIPTION	QTY.
01	04.1358.1.000	SWITCH-MICRO	1
02	08.6002.3.008	SCREW M3-8	2
03	08.6002.3.018	SCREW M3-18	2
04	08.6002.4.006	SCREW M4-6	1
05	08.6002.4.008	SCREW M4-8	4
06	08.6002.4.012	SCREW M4-12	7
07	08.6002.5.012	SCREW M5-12	1
08	08.6002.5.016	SCREW M5-16	2
09	08.6002.5.018	SCREW M5-18	1
10	08.6402.4.005	SCREW M4-5	1
11	08.6402.5.005	SCREW M5-5	1
12	08.6402.5.008	SCREW M5-8	4
13	08.6402.5.010	SCREW M5-10	2
14	08.6402.6.006	SCREW M6-6	2
15	08.6702.5.000	NUT M5	1
16	08.6732.6.000	NUT M6	2
17	08.6733.3.000	NUT M3	2
18	08.6802.4.000	SPRING WASHER M4	3
19	08.6802.6.000	SPRING WASHER M6	2
20	08.6852.3.000	WASHER M3	2
21	08.6852.4.000	WASHER M4	11
22	08.6852.6.000	WASHER 6,4	2
23	08.6887.5.000	WASHER 5	1
24	12.0008.4.277	CLAMP	1
25	12.0010.4.367	MOTOR	1
26	12.1023.0.001	STUD	2
27	12.1045.0.004	RETAINING RING 4	1
28	12.1050.0.003	CLAMP COLLAR 6	1
29	12.2010.0.036	BEARING	1
30	12.3011.0.015	SPRING	1
31	15.1420.0.100	SCREW M3-8	4
32	24.4068.0.002	WASHER	4
33	68.0337.0.800	COVER	1
34	68.0338.0.300	SHAFT	2
35	68.0339.0.800	GUIDE	1
36	68.0340.0.800	BRACKET	1
37	68.0341.0.600	BRACKET	1
38	68.0342.0.300	SHAFT	1
39	68.0343.0.600	BRACKET	1
40	68.0344.0.300	SPRING STUD	1
41	68.0345.0.300	SHAFT	1
42	68.0346.0.000	ROLLER ASSY.	1
43	68.0348.0.300	FEED ROLLER	1
44	68.0349.0.300	SHAFT	1
45	68.0350.0.600	ZIPPER GUIDE	1
46	68.0351.0.800	COVER	1

ZIPPER - COVER LOADER



SANDWICH CLAMP FOOT



SANDWICH CLAMP FOOT

DET	PART NUMBER	DESCRIPTION	QTY.
01	08.6002.5.016	SCREW M5-16	2
02	08.6892.5.000	WASHER M5	2
03	15.1437.0.100	SCREW M3-8	6
04	68.0393.0.600	CLAMP BRACKET	1
05	68.0394.0.800	PLATE - LEFT	1
06	68.0395.0.800	PLATE - RIGHT	1
07	68.0396.0.800	HOLDER - LEFT	1
08	68.0397.0.800	HOLDER - RIGHT	1

INDEX

PART NUMBER	PAGE	DET	QTY	PART NUMBER	PAGE	DET	QTY	PART NUMBER	PAGE	DET	QTY
7002009	3-131	11	1	018062032	3-7	26	1	06.6800.0.037	3-87	1	1
12500536	3-13	15	(1)	018062032	3-9	15	1	06.6800.0.038	3-85	2	1
12500536	3-15	15	(1)	018062532	3-7	33	1	06.6800.0.039	3-85	3	1
18081236	3-21	3	(1)	02.1341.0.109	3-97	14*	10	06.6800.0.049	3-79	2	1
21500316	3-13	12	(1)	02.1341.0.110	3-97	1	10	06.6800.0.049	3-95	1	1
21500316	3-15	12	(1)	02.1341.0.111	3-97	15*	10	06.6800.0.051	3-119	1	1
25710132	3-13	11	(1)	021300106	3-25	11	(1)	06.6800.0.062	3-31	22	1
25710132	3-15	11	(1)	021350106	3-11	16	1	06.6800.0.075	3-129	1	1
62060816	3-21	43	2	021500106	3-9	53	1	06.8068.0.001	3-93	18	1
62300612	3-13	19	(4)	025050236	3-9	48	1	06.8068.0.003	3-93	10	1
62300612	3-15	18	(4)	025050336	3-9	43	1	061350616	3-25	19	(1)
62400616	3-13	27	(1)	025060132	3-11	14	1	061350616	3-25	37	(2)
62400616	3-13	29	(1)	025060136	3-13	39	4	062060816	3-7	29	2
62400616	3-13	32	(1)	025060136	3-15	43	4	062060816	3-9	7	1
62401616	3-23	48	4	025060136	3-27	6	(1)	062060816	3-9	51	1
62500616	3-23	51	1	025060136	3-27	15	(2)	062061016	3-13	40	4
62500816	3-21	7	1	025060236	3-23	63	1	062061016	3-15	42	4
81004070	3-21	21	1	025100132	3-9	36	1	062061016	3-23	62	3
81004070	3-21	25	1	04.1358.1.000	3-139	1	1	062061616	3-7	24	1
81038070	3-21	15	1	04.9015.0.361	3-85	1	1	062300612	3-11	24	1
104450101	3-21	14	1	04.9068.0.050	3-75	1	1	062300616	3-25	39	(1)
104450101	3-21	39	1	04.9068.0.361	3-75	2	2	062350512	3-25	22	(1)
104450101	3-23	55	1	04.9068.0.362	3-107	1	2	062350816	3-7	7	(1)
108801001	3-23	53	1	04.9068.0.363	3-75	3	1	062400616	3-11	19	1
108802001	3-23	52	2	04.9068.0.364	3-75	4	1	062400616	3-11	34	2
116010001	3-3	11	1	04.9068.0.365	3-75	5	1	062400616	3-15	24	(1)
140063001	3-3	1	1	04.9068.0.366	3-75	6	2	062400616	3-15	25	(1)
142274101	3-21	31	4	04.9068.0.367	3-75	7	1	062400616	3-15	28	(1)
148743001	3-21	30	2	04.9068.0.368	3-75	8	1	062400616	3-23	58	2
154965001	3-13	17	(1)	04.9068.0.370	3-57	1	1	062401016	3-7	4	(2)
154965001	3-15	17	(1)	04.9068.0.371	3-57	2	2	062401216	3-27	17	(1)
228475000	3-21	12	1	04.9068.0.500	3-79	1	1	062500616	3-3	6	2
012060636	3-7	31	2	04.9068.0.900	3-75	9	1	062500616	3-7	16	(1)
012060636	3-9	32	1	04.9068.0.901	3-75	10	1	062500616	3-27	27	1
012060636	3-11	7	1	04.9068.0.902	3-75	11	1	062500816	3-3	23	2
012060636	3-11	27	1	048040342	3-27	2	(1)	062500816	3-5	27	2
012060636	3-25	44	2	048040342	3-27	14	(1)	062500816	3-5	32	1
012061036	3-5	21	2	048060342	3-9	18	2	062500816	3-7	23	1
012061036	3-5	25	2	048080342	3-9	35	1	062500816	3-9	45	2
012500536	3-27	33	1	05.1322.0.000	3-75	12	1	062500816	3-25	42	2
012500536	3-25	31	(1)	05.1322.0.000	3-97	2	1	062501016	3-9	3	(4)
012500536	3-27	8	(2)	06.6800.0.015	3-93	11	1	062501216	3-3	4	7
012500536	3-27	13	((1))	06.6800.0.021	3-41	22	1	062501216	3-9	42	1
016061031	3-9	29	2	06.6800.0.028	3-57	3	1	062501216	3-9	47	1
018062032	3-7	36	1	06.6800.0.035	3-39	5	4	062501216	3-9	52	1

INDEX

PART NUMBER	PAGE	DET	QTY	PART NUMBER	PAGE	DET	QTY	PART NUMBER	PAGE	DET	QTY
07.6321.0.029	3-37	1	2	08.6002.3.020	3-123	2	6	08.6002.4.016	3-119	6	16
07.6440.0.052	3-123	1	2	08.6002.3.025	3-65	5	1	08.6002.4.016	3-123	7	4
07.6600.0.004	3-31	1	1	08.6002.3.025	3-67	5	1	08.6002.4.016	3-127	3	(1)
072600480	3-19	9	1	08.6002.3.025	3-111	3	2	08.6002.4.020	3-59	2	2
076023800	3-5	17	1	08.6002.3.025	3-115	2	2	08.6002.4.020	3-129	3	2
08.6000.3.030	3-69	1	2	08.6002.3.035	3-33	2	2	08.6002.4.022	3-37	4	4
08.6000.8.420	3-57	4	4	08.6002.3.050	3-29	02	2	08.6002.4.022	3-47	3	2
08.6002.0.025	3-79	3	2	08.6002.3.050	3-123	3	2	08.6002.4.022	3-51	4	2
08.6002.3.004	3-31	2	2	08.6002.4.005	3-75	13	6	08.6002.4.022	3-55	2	2
08.6002.3.004	3-47	1	2	08.6002.4.006	3-79	4	3	08.6002.4.022	3-111	6	2
08.6002.3.004	3-51	1	2	08.6002.4.006	3-91	1	3	08.6002.4.022	3-115	5	2
08.6002.3.005	3-45	1	4	08.6002.4.006	3-139	4	1	08.6002.4.025	3-33	4	2
08.6002.3.005	3-47	2	4	08.6002.4.006	3-141	49	2	08.6002.4.025	3-63	3	2
08.6002.3.005	3-53	55	4	08.6002.4.008	3-109	2	3	08.6002.4.025	3-73	3	2
08.6002.3.005	3-133	1	4	08.6002.4.008	3-111	4	4	08.6002.4.025	3-89	1	2
08.6002.3.006	3-33	1	4	08.6002.4.008	3-115	3	4	08.6002.4.025	3-111	7	2
08.6002.3.006	3-45	2	1	08.6002.4.008	3-119	4	2	08.6002.4.025	3-115	6	2
08.6002.3.006	3-133	2	1	08.6002.4.008	3-123	4	2	08.6002.4.025	3-119	7	2
08.6002.3.008	3-29	01	1	08.6002.4.008	3-139	5	4	08.6002.4.025	3-123	8	2
08.6002.3.008	3-41	1	2	08.6002.4.010	3-57	38	2	08.6002.4.030	3-47	4	4
08.6002.3.008	3-63	1	16	08.6002.4.010	3-65	6	2	08.6002.4.030	3-51	5	4
08.6002.3.008	3-65	1	2	08.6002.4.010	3-67	6	2	08.6002.4.030	3-135	1	2
08.6002.3.008	3-67	1	2	08.6002.4.010	3-77	54	3	08.6002.4.035	3-71	2	2
08.6002.3.008	3-73	1	48	08.6002.4.010	3-87	2	2	08.6002.4.035	3-123	9	1
08.6002.3.008	3-107	2	3	08.6002.4.010	3-111	5	2	08.6002.4.045	3-31	5	2
08.6002.3.008	3-109	1	3	08.6002.4.010	3-115	4	2	08.6002.4.045	3-111	8	2
08.6002.3.008	3-119	2	16	08.6002.4.010	3-121	68	2	08.6002.4.045	3-123	10	1
08.6002.3.008	3-139	2	2	08.6002.4.010	3-123	5	4	08.6002.5.006	3-37	5	2
08.6002.3.010	3-55	1	2	08.6002.4.012	3-31	3	1	08.6002.5.008	3-63	4	4
08.6002.3.010	3-59	1	2	08.6002.4.012	3-33	3	2	08.6002.5.008	3-73	4	12
08.6002.3.010	3-65	2	2	08.6002.4.012	3-37	2	2	08.6002.5.008	3-79	6	8
08.6002.3.010	3-67	2	2	08.6002.4.012	3-45	3	2	08.6002.5.008	3-119	8	4
08.6002.3.012	3-65	3	2	08.6002.4.012	3-71	1	3	08.6002.5.008	3-129	4	2
08.6002.3.012	3-67	3	2	08.6002.4.012	3-119	5	10	08.6002.5.010	3-31	6	2
08.6002.3.016	3-49	1	2	08.6002.4.012	3-123	6	5	08.6002.5.010	3-37	6	1
08.6002.3.016	3-51	2	2	08.6002.4.012	3-129	2	4	08.6002.5.010	3-129	5	2
08.6002.3.016	3-63	2	4	08.6002.4.012	3-133	3	2	08.6002.5.012	3-29	03	2
08.6002.3.016	3-65	4	1	08.6002.4.012	3-139	6	7	08.6002.5.012	3-31	7	4
08.6002.3.016	3-67	4	1	08.6002.4.014	3-37	3	3	08.6002.5.012	3-35	1	4
08.6002.3.016	3-73	2	12	08.6002.4.014	3-79	5	2	08.6002.5.012	3-37	7	3
08.6002.3.016	3-119	3	4	08.6002.4.014	3-127	2	(1)	08.6002.5.012	3-41	2	4
08.6002.3.018	3-111	1	2	08.6002.4.016	3-31	4	1	08.6002.5.012	3-57	5	2
08.6002.3.018	3-115	1	2	08.6002.4.016	3-49	2	4	08.6002.5.012	3-119	9	3
08.6002.3.018	3-139	3	2	08.6002.4.016	3-51	3	4	08.6002.5.012	3-123	11	1
08.6002.3.020	3-111	2	2	08.6002.4.016	3-69	2	2	08.6002.5.012	3-135	2	2

INDEX

PART NUMBER	PAGE	DET	QTY	PART NUMBER	PAGE	DET	QTY	PART NUMBER	PAGE	DET	QTY
08.6002.5.012	3-139	7	1	08.6002.6.016	3-41	5	2	08.6032.5.008	3-3	18	2
08.6002.5.016	3-35	2	2	08.6002.6.016	3-57	6	4	08.6050.5.008	3-75	18	2
08.6002.5.016	3-37	8	2	08.6002.6.016	3-59	4	10	08.6072.0.308	3-37	33	(1)
08.6002.5.016	3-39	1	4	08.6002.6.016	3-75	15	2	08.6100.3.008	3-85	4	4
08.6002.5.016	3-41	3	4	08.6002.6.016	3-81	2	2	08.6100.5.008	3-49	3	1
08.6002.5.016	3-45	4	6	08.6002.6.016	3-111	10	3	08.6102.3.008	3-129	8	4
08.6002.5.016	3-65	7	1	08.6002.6.016	3-115	8	3	08.6102.5.008	3-51	7	1
08.6002.5.016	3-67	7	1	08.6002.6.016	3-129	7	2	08.6102.5.008	3-91	4	2
08.6002.5.016	3-75	14	10	08.6002.6.020	3-41	6	2	08.6102.5.012	3-35	4	4
08.6002.5.016	3-79	7	4	08.6002.6.020	3-59	5	4	08.6102.5.016	3-41	8	4
08.6002.5.016	3-91	2	8	08.6002.6.020	3-63	5	4	08.6102.5.025	3-35	5	2
08.6002.5.016	3-119	10	2	08.6002.6.020	3-73	5	4	08.6102.5.035	3-119	14	8
08.6002.5.016	3-127	4	(2)	08.6002.6.020	3-83	6	2	08.6102.6.020	3-59	8	1
08.6002.5.016	3-131	3	2	08.6002.6.020	3-111	11	3	08.6102.6.020	3-61	3	4
08.6002.5.016	3-133	4	6	08.6002.6.020	3-119	13	4	08.6102.6.020	3-63	6	4
08.6002.5.016	3-135	3	2	08.6002.6.020	3-135	7	4	08.6102.6.020	3-73	6	4
08.6002.5.016	3-139	8	2	08.6002.6.025	3-31	8	4	08.6102.6.020	3-119	15	5
08.6002.5.016	3-143	1	2	08.6002.6.025	3-111	12	4	08.6112.7.006	3-45	25	5
08.6002.5.018	3-79	8	4	08.6002.6.025	3-115	9	4	08.6132.4.010	3-29	04	2
08.6002.5.018	3-119	11	2	08.6002.6.045	3-79	9	1	08.6202.4.006	3-29	5	1
08.6002.5.018	3-135	4	1	08.6002.6.045	3-111	13	4	08.6202.4.006	3-85	5	1
08.6002.5.018	3-139	9	1	08.6002.6.045	3-115	10	4	08.6202.4.008	3-35	6	2
08.6002.5.020	3-61	1	2	08.6002.6.050	3-135	8	1	08.6202.4.008	3-123	14	6
08.6002.5.020	3-129	6	2	08.6002.7.006	3-43	5	2	08.6202.5.016	3-37	9	1
08.6002.5.022	3-35	3	8	08.6002.8.016	3-41	7	2	08.6202.5.016	3-79	11	2
08.6002.5.025	3-47	5	1	08.6002.8.016	3-59	6	4	08.6202.5.020	3-35	7	2
08.6002.5.025	3-51	6	1	08.6002.8.016	3-75	16	17	08.6202.5.020	3-75	19	4
08.6002.5.025	3-55	3	2	08.6002.8.016	3-111	14	4	08.6202.8.020	3-57	10	2
08.6002.5.025	3-59	3	6	08.6002.8.016	3-115	11	2	08.6202.8.020	3-75	20	1
08.6002.5.030	3-41	4	3	08.6002.8.018	3-57	7	4	08.6312.5.016	3-29	06	2
08.6002.5.030	3-47	36	1	08.6002.8.020	3-91	3	1	08.6312.6.020	3-79	12	2
08.6002.5.030	3-53	54	1	08.6002.8.020	3-111	15	1	08.6312.8.016	3-63	7	4
08.6002.5.030	3-119	12	2	08.6002.8.020	3-115	12	1	08.6312.8.016	3-73	7	4
08.6002.5.030	3-135	5	4	08.6002.8.022	3-57	8	5	08.6312.8.016	3-119	16	4
08.6002.5.045	3-109	3	1	08.6002.8.025	3-57	9	14	08.6312.9.060	3-57	11	1
08.6002.5.050	3-109	4	4	08.6002.8.025	3-111	16	3	08.6400.4.010	3-35	8	2
08.6002.5.060	3-123	12	2	08.6002.8.025	3-115	13	3	08.6400.4.010	3-41	9	1
08.6002.5.070	3-109	5	4	08.6002.8.030	3-59	7	4	08.6400.8.025	3-57	12	2
08.6002.5.070	3-135	6	4	08.6002.8.030	3-107	3	6	08.6402.3.004	3-97	3	2
08.6002.6.010	3-123	13	2	08.6002.8.030	3-111	17	1	08.6402.3.005	3-49	4	4
08.6002.6.012	3-39	2	1	08.6002.8.035	3-115	14	1	08.6402.3.005	3-51	8	4
08.6002.6.012	3-61	2	2	08.6002.8.040	3-111	18	1	08.6402.3.005	3-65	8	2
08.6002.6.012	3-81	1	2	08.6002.8.070	3-75	17	8	08.6402.3.005	3-67	8	2
08.6002.6.012	3-111	9	2	08.6032.3.010	3-79	10	6	08.6402.3.010	3-69	3	1
08.6002.6.012	3-115	7	2	08.6032.4.010	3-31	9	1	08.6402.4.004	3-123	15	2

INDEX

PART NUMBER	PAGE	DET	QTY	PART NUMBER	PAGE	DET	QTY	PART NUMBER	PAGE	DET	QTY
08.6402.4.004	3-129	9	3	08.6402.6.012	3-57	13	1	08.6722.3.000	3-69	4	1
08.6402.4.005	3-139	10	1	08.6402.6.016	3-59	10	4	08.6722.6.000	3-119	22	1
08.6402.4.006	3-33	5	4	08.6402.6.016	3-111	21	2	08.6722.8.000	3-75	24	2
08.6402.4.006	3-123	16	6	08.6402.6.016	3-115	17	2	08.6732.4.000	3-45	10	2
08.6402.4.008	3-29	07	4	08.6402.6.020	3-135	10	1	08.6732.4.000	3-75	25	5
08.6402.4.008	3-39	3	8	08.6402.6.030	3-43	6	2	08.6732.4.000	3-91	6	2
08.6402.4.008	3-123	17	1	08.6402.6.030	3-119	18	1	08.6732.4.000	3-129	13	2
08.6402.4.008	3-129	10	2	08.6402.8.008	3-33	8	2	08.6732.4.000	3-133	10	2
08.6402.4.016	3-33	6	1	08.6402.8.010	3-41	10	2	08.6732.5.000	3-61	4	2
08.6402.4.016	3-45	5	2	08.6402.8.040	3-57	14	2	08.6732.5.000	3-79	18	6
08.6402.4.016	3-49	5	1	08.6402.8.040	3-111	22	1	08.6732.5.000	3-119	23	2
08.6402.4.016	3-51	9	1	08.6402.8.040	3-115	18	1	08.6732.6.000	3-37	11	1
08.6402.4.016	3-71	3	2	08.6402.8.050	3-135	11	1	08.6732.6.000	3-61	5	2
08.6402.4.016	3-91	5	2	08.6412.6.016	3-35	11	2	08.6732.6.000	3-75	26	1
08.6402.4.016	3-133	5	2	08.6702.0.000	3-79	13	2	08.6732.6.000	3-111	23	1
08.6402.4.035	3-45	6	1	08.6702.4.000	3-45	8	2	08.6732.6.000	3-115	20	1
08.6402.4.035	3-133	6	1	08.6702.4.000	3-79	14	2	08.6732.6.000	3-139	16	2
08.6402.5.005	3-37	10	1	08.6702.4.000	3-119	19	2	08.6733.3.000	3-79	17	6
08.6402.5.005	3-71	4	1	08.6702.4.000	3-123	20	1	08.6733.3.000	3-123	21	4
08.6402.5.005	3-123	18	1	08.6702.4.000	3-133	8	2	08.6733.3.000	3-139	17	2
08.6402.5.005	3-139	11	1	08.6702.5.000	3-31	13	1	08.6733.6.000	3-129	14	2
08.6402.5.006	3-31	10	2	08.6702.5.000	3-35	12	2	08.6733.6.000	3-135	13	1
08.6402.5.008	3-129	11	4	08.6702.5.000	3-45	9	2	08.6733.8.000	3-57	16	4
08.6402.5.008	3-135	9	2	08.6702.5.000	3-47	7	1	08.6733.8.000	3-75	27	8
08.6402.5.008	3-139	12	4	08.6702.5.000	3-51	11	1	08.6733.8.000	3-79	19	2
08.6402.5.010	3-31	11	2	08.6702.5.000	3-75	21	2	08.6733.8.000	3-111	24	2
08.6402.5.010	3-35	9	2	08.6702.5.000	3-79	15	2	08.6733.8.000	3-115	21	2
08.6402.5.010	3-59	9	4	08.6702.5.000	3-129	12	2	08.6733.8.000	3-129	15	1
08.6402.5.010	3-119	17	2	08.6702.5.000	3-133	9	2	08.6733.8.000	3-135	14	4
08.6402.5.010	3-139	13	2	08.6702.5.000	3-139	15	1	08.6802.0.000	3-79	20	2
08.6402.5.012	3-35	10	2	08.6702.6.000	3-35	13	2	08.6802.3.000	3-29	08	1
08.6402.5.012	3-45	7	2	08.6702.6.000	3-43	8	2	08.6802.4.000	3-57	39	2
08.6402.5.012	3-65	9	1	08.6702.6.000	3-59	11	4	08.6802.4.000	3-71	5	2
08.6402.5.012	3-67	9	1	08.6702.6.000	3-65	10	1	08.6802.4.000	3-75	28	9
08.6402.5.012	3-123	19	2	08.6702.6.000	3-67	10	1	08.6802.4.000	3-87	3	2
08.6402.5.012	3-133	7	2	08.6702.6.000	3-75	22	1	08.6802.4.000	3-111	25	12
08.6402.6.006	3-31	12	1	08.6702.6.000	3-79	16	3	08.6802.4.000	3-115	22	10
08.6402.6.006	3-47	6	1	08.6702.6.000	3-119	20	1	08.6802.4.000	3-119	24	10
08.6402.6.006	3-51	10	1	08.6702.8.000	3-59	12	4	08.6802.4.000	3-123	22	6
08.6402.6.006	3-139	14	2	08.6702.8.000	3-75	23	16	08.6802.4.000	3-129	16	4
08.6402.6.008	3-111	19	10	08.6702.8.000	3-115	19	2	08.6802.4.000	3-135	15	2
08.6402.6.008	3-115	15	6	08.6702.8.000	3-119	21	1	08.6802.4.000	3-139	18	3
08.6402.6.010	3-111	20	4	08.6702.8.000	3-135	12	2	08.6802.5.000	3-41	12	4
08.6402.6.010	3-115	16	4	08.6712.9.000	3-41	11	2	08.6802.5.000	3-57	17	2
08.6402.6.012	3-33	7	2	08.6712.9.000	3-57	15	1	08.6802.5.000	3-75	29	10

INDEX

PART NUMBER	PAGE	DET	QTY	PART NUMBER	PAGE	DET	QTY	PART NUMBER	PAGE	DET	QTY
08.6802.5.000	3-79	21	4	08.6852.3.000	3-55	4	2	08.6852.6.000	3-31	17	4
08.6802.5.000	3-91	7	2	08.6852.3.000	3-59	13	2	08.6852.6.000	3-35	15	2
08.6802.5.000	3-119	25	9	08.6852.3.000	3-65	12	5	08.6852.6.000	3-41	18	2
08.6802.5.000	3-129	17	4	08.6852.3.000	3-67	12	5	08.6852.6.000	3-43	7	2
08.6802.5.000	3-131	5	2	08.6852.3.000	3-79	39	12	08.6852.6.000	3-55	6	2
08.6802.5.000	3-135	16	4	08.6852.3.000	3-123	23	4	08.6852.6.000	3-57	20	1
08.6802.6.000	3-31	14	4	08.6852.3.000	3-133	11	4	08.6852.6.000	3-59	16	16
08.6802.6.000	3-41	13	4	08.6852.3.000	3-139	20	2	08.6852.6.000	3-61	7	4
08.6802.6.000	3-57	18	2	08.6852.4.000	3-31	15	2	08.6852.6.000	3-63	11	4
08.6802.6.000	3-79	22	2	08.6852.4.000	3-33	9	4	08.6852.6.000	3-73	11	4
08.6802.6.000	3-83	5	2	08.6852.4.000	3-45	12	2	08.6852.6.000	3-75	33	2
08.6802.6.000	3-111	26	6	08.6852.4.000	3-47	8	2	08.6852.6.000	3-79	26	4
08.6802.6.000	3-115	23	3	08.6852.4.000	3-51	12	2	08.6852.6.000	3-83	4	2
08.6802.6.000	3-129	18	2	08.6852.4.000	3-55	5	2	08.6852.6.000	3-111	30	7
08.6802.6.000	3-135	17	4	08.6852.4.000	3-57	40	2	08.6852.6.000	3-115	27	5
08.6802.6.000	3-139	19	2	08.6852.4.000	3-59	14	2	08.6852.6.000	3-119	30	4
08.6802.8.000	3-41	14	2	08.6852.4.000	3-65	13	2	08.6852.6.000	3-129	21	1
08.6802.8.000	3-57	19	20	08.6852.4.000	3-67	13	2	08.6852.6.000	3-135	20	2
08.6802.8.000	3-63	8	4	08.6852.4.000	3-69	5	2	08.6852.6.000	3-139	22	2
08.6802.8.000	3-73	8	4	08.6852.4.000	3-71	6	2	08.6852.8.000	3-35	16	1
08.6802.8.000	3-91	8	1	08.6852.4.000	3-75	32	8	08.6852.8.000	3-57	21	14
08.6802.8.000	3-107	4	6	08.6852.4.000	3-79	24	5	08.6852.8.000	3-59	17	8
08.6802.8.000	3-111	27	7	08.6852.4.000	3-85	6	1	08.6852.8.000	3-61	8	2
08.6802.8.000	3-115	24	5	08.6852.4.000	3-87	4	2	08.6852.8.000	3-75	34	1
08.6802.8.000	3-119	26	5	08.6852.4.000	3-111	29	8	08.6852.8.000	3-79	27	2
08.6842.5.000	3-29	09	4	08.6852.4.000	3-115	26	6	08.6852.8.000	3-107	5	6
08.6842.5.000	3-75	30	12	08.6852.4.000	3-119	28	16	08.6852.8.000	3-111	31	10
08.6842.5.000	3-129	19	4	08.6852.4.000	3-123	24	6	08.6852.8.000	3-115	28	8
08.6842.5.000	3-131	4	2	08.6852.4.000	3-127	5	(2)	08.6852.8.000	3-119	31	3
08.6842.5.000	3-135	18	1	08.6852.4.000	3-129	20	6	08.6852.8.000	3-129	22	1
08.6842.6.000	3-39	4	1	08.6852.4.000	3-133	12	2	08.6852.8.000	3-135	21	4
08.6842.6.000	3-65	11	1	08.6852.4.000	3-139	21	11	08.6852.9.000	3-57	22	1
08.6842.6.000	3-67	11	1	08.6852.4.000	3-141	50	2	08.6882.5.000	3-91	10	2
08.6842.8.000	3-41	15	2	08.6852.5.000	3-31	16	2	08.6882.5.000	3-127	6	(2)
08.6842.8.000	3-63	9	4	08.6852.5.000	3-35	14	11	08.6882.8.000	3-91	11	1
08.6842.8.000	3-73	9	4	08.6852.5.000	3-37	12	6	08.6887.3.000	3-123	25	4
08.6842.8.000	3-75	31	16	08.6852.5.000	3-41	17	4	08.6887.5.000	3-139	23	1
08.6842.8.000	3-111	28	3	08.6852.5.000	3-59	15	2	08.6887.6.500	3-49	6	2
08.6842.8.000	3-115	25	1	08.6852.5.000	3-61	6	4	08.6887.6.500	3-51	13	2
08.6842.8.000	3-119	27	4	08.6852.5.000	3-63	10	4	08.6887.8.000	3-47	9	2
08.6845.6.000	3-81	3	4	08.6852.5.000	3-73	10	12	08.6887.8.000	3-51	14	2
08.6852.0.000	3-3	25	1	08.6852.5.000	3-79	25	26	08.6892.5.000	3-143	2	2
08.6852.0.000	3-79	23	4	08.6852.5.000	3-91	9	6	08.6892.6.000	3-41	19	2
08.6852.3.000	3-41	16	2	08.6852.5.000	3-119	29	15	08.6892.6.000	3-57	23	2
08.6852.3.000	3-45	11	4	08.6852.5.000	3-135	19	5	08.6892.6.000	3-75	35	2

INDEX

PART NUMBER	PAGE	DET	QTY	PART NUMBER	PAGE	DET	QTY	PART NUMBER	PAGE	DET	QTY
08.6892.6.000	3-119	32	1	12.0008.3.416	3-73	15	—	12.0008.4.720	3-129	25	1
08.6892.6.000	3-129	23	2	12.0008.3.416	3-73	16	—	12.0008.4.833	3-93	12	1
08.6892.8.000	3-57	24	10	12.0008.3.416	3-73	17	—	12.0008.6.001	3-97	4	1
08.6892.8.000	3-75	36	16	12.0008.3.416	3-109	6	0	12.0008.6.005	3-97	5	1
081009070	3-27	5	(1)	12.0008.3.416	3-111	33	0	12.0008.6.215	3-97	6	1
0A4400806	3-21	40	2	12.0008.3.416	3-119	33	-	12.0008.6.800	3-123	26	1
0A5501006	3-21	18	2	12.0008.3.416	3-119	34	-	12.0008.6.812	3-75	37	1
100328001	3-9	25	1	12.0008.3.416	3-129	24	1	12.0008.6.818	3-41	20	2
100401021	3-27	30	(1)	12.0008.3.416	3-131	10	0	12.0008.6.819	3-75	38	1
1025030132	3-11	23	1	12.0008.3.426	3-89	2	6	12.0008.6.826	3-129	26	4
104821001	3-9	44	1	12.0008.3.431	3-63	14	0	12.0008.6.901	3-75	39	1
108549001	3-9	23	1	12.0008.3.431	3-73	18	—	12.0008.6.996	3-75	40	4
108802001	3-11	5	1	12.0008.3.431	3-87	5	—	12.0010.3.016	3-29	11	1
112728001	3-7	8	(1)	12.0008.3.431	3-87	6	—	12.0010.3.016	3-123	35	1
112753001	3-23	61	2	12.0008.3.431	3-119	35	-	12.0010.3.021	3-33	12	1
113014000	3-5	7	1	12.0008.3.444	3-31	19	1	12.0010.3.027	3-31	20	1
114941001	3-25	41	1	12.0008.3.451	3-89	3	1	12.0010.3.028	3-29	12	2
115947001	3-13	36	2	12.0008.3.463	3-87	7	1	12.0010.3.028	3-33	13	2
115947001	3-15	36	2	12.0008.3.673	3-135	24	1	12.0010.3.028	3-37	13	1
118735002	3-7	27	1	12.0008.3.700	3-111	34	1	12.0010.3.028	3-65	14	2
118954000	3-9	10	(1)	12.0008.3.708	3-109	7	1	12.0010.3.028	3-67	14	2
12.0008.3.272	3-107	7	0	12.0008.3.716	3-111	35	1	12.0010.3.028	3-71	10	4
12.0008.3.274	3-107	8	2	12.0008.3.716	3-115	30	1	12.0010.3.028	3-123	28	2
12.0008.3.277	3-107	6	1	12.0008.3.733	3-25	48	1	12.0010.3.028	3-131	7	1
12.0008.3.278	3-111	32	4	12.0008.3.738	3-33	11	1	12.0010.3.029	3-37	14	1
12.0008.3.278	3-115	29	2	12.0008.3.738	3-49	8	1	12.0010.3.036	3-123	29	1
12.0008.3.415	3-135	22	1	12.0008.3.738	3-51	16	1	12.0010.3.037	3-47	10	1
12.0008.3.415	3-135	23	1	12.0008.3.738	3-71	9	2	12.0010.3.037	3-51	17	1
12.0008.3.416	3-25	50	1	12.0008.3.744	3-87	8	3	12.0010.3.047	3-37	15	1
12.0008.3.416	3-29	10	0	12.0008.3.790	3-89	4	7	12.0010.3.047	3-49	10	2
12.0008.3.416	3-31	18	1	12.0008.3.806	3-135	25	1	12.0010.3.047	3-51	18	2
12.0008.3.416	3-33	10	0	12.0008.3.822	3-49	9	1	12.0010.3.047	3-55	8	2
12.0008.3.416	3-49	7	0	12.0008.3.822	3-53	53	1	12.0010.3.047	3-59	21	2
12.0008.3.416	3-51	15	0	12.0008.3.825	3-135	26	2	12.0010.3.047	3-109	8	2
12.0008.3.416	3-55	7	0	12.0008.4.050	3-93	5	1	12.0010.3.047	3-111	37	2
12.0008.3.416	3-59	18	0	12.0008.4.063	3-93	1	1	12.0010.3.047	3-123	30	1
12.0008.3.416	3-59	19	0	12.0008.4.109	3-93	2	1	12.0010.3.047	3-131	6	1
12.0008.3.416	3-59	20	0	12.0008.4.140	3-111	36	0	12.0010.3.069	3-37	16	1
12.0008.3.416	3-63	12	0	12.0008.4.253	3-119	36	2	12.0010.3.073	3-47	11	2
12.0008.3.416	3-63	13	0	12.0008.4.277	3-139	24	1	12.0010.3.073	3-51	19	2
12.0008.3.416	3-71	7	—	12.0008.4.279	3-85	7	1	12.0010.3.075	3-59	22	2
12.0008.3.416	3-71	8	—	12.0008.4.290	3-85	8	3	12.0010.3.076	3-59	23	4
12.0008.3.416	3-73	12	—	12.0008.4.664	3-93	3	3	12.0010.3.076	3-111	38	6
12.0008.3.416	3-73	13	—	12.0008.4.682	3-93	17	1	12.0010.3.076	3-115	31	4
12.0008.3.416	3-73	14	—	12.0008.4.720	3-95	2	—	12.0010.3.077	3-55	9	1

INDEX

PART NUMBER	PAGE	DET	QTY	PART NUMBER	PAGE	DET	QTY	PART NUMBER	PAGE	DET	QTY
12.0010.3.077	3-59	24	1	12.0010.3.088	3-123	31	1	12.0010.3.113	3-129	27	1
12.0010.3.080	3-29	13	0	12.0010.3.089	3-113	47	1	12.0010.3.115	3-87	10	1
12.0010.3.080	3-31	21	1	12.0010.3.089	3-115	36	1	12.0010.3.116	3-87	11	1
12.0010.3.080	3-33	14	0	12.0010.3.090	3-113	48	3	12.0010.3.117	3-87	12	1
12.0010.3.080	3-37	17	1	12.0010.3.091	3-113	49	1	12.0010.3.118	3-87	13	1
12.0010.3.080	3-37	18	2	12.0010.3.092	3-123	32	1	12.0010.3.119	3-47	15	2
12.0010.3.080	3-47	12	0	12.0010.3.093	3-123	33	1	12.0010.3.119	3-51	24	2
12.0010.3.080	3-47	13	0	12.0010.3.094	3-135	27	1	12.0010.3.126	3-123	27	1
12.0010.3.080	3-47	14	0	12.0010.3.095	3-135	28	1	12.0010.3.137	3-87	14	1
12.0010.3.080	3-49	11	0	12.0010.3.096	3-135	29	2	12.0010.3.138	3-87	15	1
12.0010.3.080	3-51	20	0	12.0010.3.097	3-135	30	2	12.0010.3.188	3-69	8	1
12.0010.3.080	3-51	21	0	12.0010.3.098	3-135	31	4	12.0010.3.189	3-71	13	1
12.0010.3.080	3-51	22	0	12.0010.3.099	3-63	17	2	12.0010.3.209	3-129	28	1
12.0010.3.080	3-51	23	0	12.0010.3.099	3-73	26	2	12.0010.4.025	3-61	9	1
12.0010.3.080	3-55	10	0	12.0010.3.099	3-89	5	2	12.0010.4.025	3-119	44	1
12.0010.3.080	3-59	25	0	12.0010.3.099	3-119	39	2	12.0010.4.067	3-93	20	1
12.0010.3.080	3-59	26	0	12.0010.3.099	3-135	32	2	12.0010.4.078	3-93	6	1
12.0010.3.080	3-59	27	0	12.0010.3.101	3-135	33	1	12.0010.4.093	3-35	17	1
12.0010.3.080	3-63	15	0	12.0010.3.101	3-135	34	1	12.0010.4.163	3-93	19	1
12.0010.3.080	3-63	16	0	12.0010.3.102	3-123	34	2	12.0010.4.168	3-93	13	1
12.0010.3.080	3-69	6	0	12.0010.3.105	3-63	18	2	12.0010.4.215	3-107	9	5
12.0010.3.080	3-71	11	—	12.0010.3.105	3-73	27	6	12.0010.4.249	3-93	14	1
12.0010.3.080	3-71	12	—	12.0010.3.105	3-89	6	20	12.0010.4.255	3-93	15	1
12.0010.3.080	3-73	19	—	12.0010.3.105	3-119	40	2	12.0010.4.271	3-95	3	—
12.0010.3.080	3-73	20	—	12.0010.3.105	3-135	35	2	12.0010.4.271	3-129	29	1
12.0010.3.080	3-73	21	—	12.0010.3.106	3-63	19	1	12.0010.4.277	3-93	9	2
12.0010.3.080	3-73	22	—	12.0010.3.106	3-73	28	1	12.0010.4.300	3-91	12	1
12.0010.3.080	3-73	23	—	12.0010.3.106	3-89	7	1	12.0010.4.305	3-43	4	2
12.0010.3.080	3-73	24	—	12.0010.3.106	3-119	41	1	12.0010.4.318	3-93	16	1
12.0010.3.080	3-109	9	0	12.0010.3.106	3-135	36	1	12.0010.4.327	3-41	21	1
12.0010.3.080	3-111	39	0	12.0010.3.107	3-73	29	1	12.0010.4.338	3-93	8	1
12.0010.3.080	3-119	37	-	12.0010.3.108	3-63	20	2	12.0010.4.367	3-139	25	1
12.0010.3.080	3-119	38	-	12.0010.3.108	3-73	30	6	12.0010.6.212	3-35	18	1
12.0010.3.080	3-131	9	0	12.0010.3.108	3-113	50	1	12.0010.6.216	3-75	41	2
12.0010.3.082	3-111	40	1	12.0010.3.108	3-115	37	1	12.0010.6.217	3-75	42	2
12.0010.3.082	3-111	41	1	12.0010.3.108	3-119	42	2	12.0010.6.218	3-75	43	4
12.0010.3.082	3-115	32	1	12.0010.3.108	3-135	37	2	12.0010.6.219	3-113	52	1
12.0010.3.083	3-111	42	3	12.0010.3.109	3-113	51	1	12.0010.6.219	3-115	39	1
12.0010.3.083	3-115	33	4	12.0010.3.109	3-115	38	1	12.0010.6.914	3-113	53	2
12.0010.3.085	3-111	43	2	12.0010.3.110	3-63	21	1	12.0010.6.914	3-115	40	1
12.0010.3.086	3-111	44	1	12.0010.3.110	3-119	43	1	12.0010.6.915	3-113	54	1
12.0010.3.087	3-111	45	1	12.0010.3.111	3-135	38	1	12.0010.6.915	3-115	41	1
12.0010.3.087	3-115	34	1	12.0010.3.112	3-87	9	1	12.0010.6.917	3-61	10	1
12.0010.3.088	3-111	46	1	12.0010.3.113	3-25	49	1	12.0010.6.918	3-141	51	2
12.0010.3.088	3-115	35	2	12.0010.3.113	3-69	7	1	12.1010.2.022	3-65	15	1

INDEX

PART NUMBER	PAGE	DET	QTY	PART NUMBER	PAGE	DET	QTY	PART NUMBER	PAGE	DET	QTY
12.1010.2.022	3-67	15	1	12.3010.0.024	3-135	41	1	158115001	3-19	13	1
12.1010.2.032	3-33	15	3	12.3010.0.025	3-45	13	2	159805001	3-25	24	(2)
12.1010.2.035	3-49	12	2	12.3010.0.025	3-133	13	2	17.0012.0.688	3-33	16	2
12.1010.2.035	3-51	25	2	12.3011.0.015	3-139	30	1	17.0019.0.232	3-135	42	4
12.1010.2.036	3-113	55	1	12.5050.2.032	3-41	23	1	17.0019.0.239	3-135	43	1
12.1010.2.036	3-115	42	1	12.5050.2.033	3-57	27	0	17.0027.4.085	3-35	20	2
12.1016.0.002	3-3	20	2	12.5050.2.034	3-121	49	-	17.0027.4.129	3-31	25	1
12.1016.0.002	3-79	28	2	12.5050.2.045	3-129	37	1	17.0033.2.030	3-3	26	1
12.1023.0.001	3-139	26	2	12.8000.0.409	3-59	50	1	17.0094.0.029	3-85	9	8
12.1045.0.004	3-139	27	1	12.8000.0.436	3-35	19	1	17.0094.1.097	3-3	27	2
12.1045.0.005	3-37	19	1	12.8000.0.437	3-129	38	1	17.0097.5.174	3-31	26	1
12.1045.0.005	3-113	56	1	12.8000.0.438	3-79	38	1	17.0097.5.174	3-57	41	1
12.1045.0.005	3-129	30	1	12.8000.0.444	3-3	21	1	17.0097.5.174	3-77	55	1
12.1045.0.006	3-119	45	1	12.8000.0.451	3-87	16	1	17.0097.5.174	3-121	66	1
12.1045.0.007	3-59	28	4	12.8000.0.452	3-113	84	1	17.0097.5.174	3-129	39	1
12.1045.0.007	3-113	57	1	12.8000.0.452	3-117	68	1	19.0044.5.404	3-75	44	1
12.1045.0.007	3-115	43	1	12.8000.1.059	3-3	19	1	19.0094.0.414	3-79	30	1
12.1045.1.017	3-31	23	1	12.8000.1.067	3-79	29	1	24.0163.0.000	3-91	13	2
12.1050.0.003	3-123	36	3	12.9900.9.010	3-83	3	1	24.4068.0.002	3-139	32	4
12.1050.0.003	3-139	28	1	129458102	3-9	22	1	24.4068.0.003	3-35	21	2
12.1050.0.005	3-71	14	1	140890009	3-23	60	1	38.9908.0.020	3-102	0	0
12.1050.0.005	3-129	31	1	142746002	3-9	21	1	39.0039.4.001	3-98	0	0
12.1050.0.008	3-141	52	1	143611201	3-9	8	1	39.0039.4.002	3-98	0	0
12.2010.0.000	3-37	20	1	143612100	3-9	9	(1)	39.0039.4.003	3-98	0	0
12.2010.0.036	3-139	29	1	143613051	3-9	16	1	39.0039.4.004	3-98	0	0
12.2010.0.037	3-31	24	1	143616001	3-9	17	1	39.0039.4.005	3-98	0	0
12.2010.0.052	3-129	32	2	144504001	3-25	27	(4)	39.0039.4.006	3-98	0	0
12.2050.0.011	3-123	37	2	145446001	3-25	23	(4)	52.0035.0.100	3-75	45	1
12.2060.0.005	3-59	29	2	145446001	3-27	29	(2)	68.0001.0.600	3-49	13	1
12.2060.0.006	3-135	39	8	148394000	3-7	14	(1)	68.0002.0.600	3-51	27	1
12.2060.0.008	3-129	33	2	15.1142.0.400	3-45	14	2	68.0003.0.600	3-49	14	1
12.2070.1.067	3-37	21	1	15.1142.0.400	3-133	14	2	68.0003.0.600	3-51	28	1
12.2070.1.068	3-37	22	1	15.1144.0.000	3-57	28	1	68.0004.0.600	3-49	15	1
12.2070.1.068	3-129	34	1	15.1420.0.100	3-47	16	3	68.0004.0.600	3-51	29	1
12.2070.1.069	3-63	22	2	15.1420.0.100	3-51	26	3	68.0005.0.300	3-47	17	2
12.2070.1.069	3-73	25	6	15.1420.0.100	3-123	38	2	68.0005.0.300	3-51	30	2
12.2070.1.069	3-119	46	2	15.1420.0.100	3-139	31	4	68.0006.0.600	3-47	18	1
12.2070.1.070	3-121	47	2	15.1437.0.100	3-143	3	6	68.0007.0.600	3-51	31	1
12.2070.1.071	3-121	48	2	151027001	3-17	5	(2)	68.0008.0.600	3-47	19	1
12.2070.1.072	3-57	25	1	151030001	3-17	4	((1))	68.0008.0.600	3-51	32	1
12.2070.1.073	3-57	26	1	154518001	3-17	2	((1))	68.0009.0.300	3-47	20	1
12.2070.1.074	3-129	35	1	154519001	3-17	3	((1))	68.0009.0.300	3-51	33	1
12.2099.5.001	3-59	30	6	154560001	3-25	28	(2)	68.0010.0.800	3-47	21	1
12.2099.5.002	3-135	40	16	155510001	3-25	29	(2)	68.0010.0.800	3-51	34	1
12.2099.5.003	3-129	36	4	158115001	3-5	20	1	68.0011.0.300	3-47	22	1

INDEX

PART NUMBER	PAGE	DET	QTY	PART NUMBER	PAGE	DET	QTY	PART NUMBER	PAGE	DET	QTY
68.0011.0.300	3-51	35	1	68.0036.0.800	3-59	37	1	68.0115.0.600	3-31	29	1
68.0012.0.400	3-47	23	2	68.0037.0.600	3-57	29	1	68.0118.0.000	3-31	30	1
68.0012.0.400	3-51	36	2	68.0038.0.300	3-59	38	2	68.0119.0.100	3-31	31	2
68.0013.0.992	3-47	24	1	68.0039.0.400	3-59	39	2	68.0120.0.300	3-41	24	1
68.0013.0.992	3-51	37	1	68.0040.0.800	3-55	11	1	68.0121.0.800	3-41	25	1
68.0014.0.992	3-47	25	1	68.0040.0.800	3-59	40	1	68.0122.0.600	3-41	26	2
68.0014.0.992	3-51	38	1	68.0041.0.800	3-59	41	2	68.0125.0.800	3-41	27	1
68.0015.0.992	3-47	26	1	68.0042.0.800	3-59	42	4	68.0126.0.800	3-41	28	1
68.0015.0.992	3-51	39	1	68.0043.0.300	3-59	43	2	68.0127.0.000	3-41	29	1
68.0016.0.800	3-47	27	1	68.0044.0.300	3-59	44	2	68.0128.0.300	3-41	30	2
68.0016.0.800	3-51	40	1	68.0045.0.600	3-59	45	4	68.0129.0.500	3-41	31	2
68.0017.0.600	3-49	16	1	68.0046.0.800	3-57	30	1	68.0130.0.800	3-31	32	1
68.0017.0.600	3-51	41	1	68.0047.0.800	3-57	31	1	68.0131.0.600	3-31	33	1
68.0018.0.800	3-47	28	1	68.0048.0.600	3-59	46	1	68.0132.0.600	3-31	34	1
68.0019.0.800	3-51	42	1	68.0049.0.600	3-59	47	1	68.0133.0.400	3-31	35	1
68.0020.0.800	3-47	29	1	68.0050.0.800	3-57	32	1	68.0134.0.300	3-31	36	1
68.0020.0.800	3-51	43	1	68.0051.0.300	3-57	33	1	68.0135.0.600	3-31	37	1
68.0021.0.300	3-49	17	2	68.0052.0.018	3-103	0	0	68.0136.0.600	3-31	38	1
68.0021.0.300	3-51	44	2	68.0052.0.020	3-103	0	0	68.0138.0.000	3-31	39	1
68.0022.0.992	3-47	30	1	68.0052.0.100	3-59	48	4	68.0140.0.800	3-71	15	1
68.0022.0.992	3-51	45	1	68.0070.0.300	3-33	17	2	68.0141.0.000	3-71	16	1
68.0022.0.992	3-97	8	2	68.0071.0.600	3-33	18	2	68.0142.0.600	3-71	17	1
68.0023.0.300	3-49	18	1	68.0072.0.600	3-33	19	2	68.0143.0.300	3-71	18	1
68.0023.0.300	3-53	46	1	68.0073.0.800	3-33	20	2	68.0144.0.100	3-45	22	2
68.0024.0.990	3-49	19	1	68.0074.0.800	3-33	21	1	68.0144.0.100	3-133	20	2
68.0024.0.990	3-53	47	1	68.0075.0.300	3-33	22	1	68.0145.0.600	3-35	22	2
68.0024.0.990	3-97	9	2	68.0076.0.800	3-33	23	1	68.0146.0.600	3-35	23	2
68.0025.0.200	3-47	31	2	68.0077.0.600	3-33	24	1	68.0147.0.600	3-35	24	2
68.0025.0.200	3-53	48	2	68.0078.0.800	3-33	25	1	68.0148.0.300	3-35	25	2
68.0025.0.200	3-65	16	1	68.0100.0.000	3-45	24	1	68.0149.0.600	3-37	23	1
68.0025.0.200	3-67	16	1	68.0104.0.600	3-45	15	1	68.0150.1.800	3-35	26	1
68.0026.0.800	3-47	32	1	68.0104.0.600	3-133	15	1	68.0151.0.800	3-35	27	1
68.0026.0.800	3-53	49	1	68.0105.0.600	3-45	16	1	68.0152.0.800	3-35	28	1
68.0027.0.300	3-47	33	2	68.0105.0.600	3-133	16	1	68.0153.0.800	3-37	24	1
68.0027.0.300	3-53	50	2	68.0106.0.600	3-45	17	1	68.0154.0.600	3-37	25	1
68.0028.0.800	3-47	34	2	68.0106.0.600	3-133	17	1	68.0155.0.800	3-37	26	1
68.0028.0.800	3-53	51	2	68.0107.0.600	3-45	18	1	68.0156.0.800	3-35	29	1
68.0029.0.990	3-47	35	1	68.0107.0.600	3-133	18	1	68.0157.0.800	3-37	27	1
68.0029.0.990	3-53	52	1	68.0108.0.800	3-45	19	1	68.0158.0.600	3-39	6	4
68.0029.0.990	3-97	10	2	68.0109.0.800	3-45	20	1	68.0159.0.300	3-39	7	4
68.0031.0.600	3-59	32	1	68.0110.1.600	3-45	21	1	68.0161.0.300	3-39	8	1
68.0032.0.600	3-59	33	1	68.0110.1.600	3-133	19	1	68.0162.0.800	3-35	30	1
68.0033.0.600	3-59	34	1	68.0111.0.600	3-57	34	1	68.0163.0.600	3-37	28	1
68.0034.0.600	3-59	35	1	68.0113.0.050	3-31	27	1	68.0164.0.300	3-37	29	1
68.0035.0.800	3-59	36	1	68.0114.0.600	3-31	28	1	68.0165.0.300	3-37	30	1

INDEX

PART NUMBER	PAGE	DET	QTY	PART NUMBER	PAGE	DET	QTY	PART NUMBER	PAGE	DET	QTY
68.0166.0.100	3-37	31	1	68.0202.0.800	3-65	28	1	68.0245.0.000	3-57	36	1
68.0167.0.300	3-35	31	1	68.0202.0.800	3-67	28	1	68.0246.0.500	3-57	37	1
68.0168.0.400	3-35	32	1	68.0203.0.800	3-65	29	1	68.0247.0.300	3-77	51	1
68.0169.0.600	3-35	33	1	68.0203.0.800	3-67	29	1	68.0248.0.800	3-77	52	1
68.0170.0.050	3-37	32	1	68.0204.0.990	3-65	30	2	68.0251.0.300	3-121	58	1
68.0170.0.300	3-37	36	(1)	68.0204.0.990	3-67	30	2	68.0252.0.000	3-121	59	1
68.0171.0.300	3-37	35	(1)	68.0205.0.800	3-63	23	1	68.0253.0.500	3-121	60	1
68.0172.0.200	3-35	34	1	68.0205.0.800	3-73	31	1	68.0254.0.600	3-121	61	1
68.0173.0.200	3-37	34	(1)	68.0206.0.800	3-63	24	1	68.0255.0.600	3-121	62	2
68.0174.0.100	3-37	37	(1)	68.0206.0.800	3-73	32	1	68.0256.0.300	3-107	10	1
68.0175.0.100	3-33	26	1	68.0207.0.600	3-63	25	2	68.0257.0.400	3-107	11	1
68.0175.0.100	3-97	11	2	68.0207.0.600	3-73	33	2	68.0257.0.400	3-109	10	1
68.0176.0.100	3-33	27	1	68.0208.0.000	3-65	31	1	68.0258.0.800	3-107	12	1
68.0180.0.800	3-121	50	1	68.0208.0.000	3-67	31	1	68.0258.0.800	3-109	11	1
68.0181.0.800	3-121	51	1	68.0209.0.100	3-77	49	2	68.0259.0.800	3-107	13	1
68.0182.0.600	3-121	52	2	68.0210.0.800	3-61	11	1	68.0259.1.800	3-77	56	1
68.0183.1.800	3-121	53	1	68.0211.0.800	3-61	12	1	68.0259.1.800	3-123	39	1
68.0184.0.800	3-121	54	1	68.0212.0.300	3-79	31	2	68.0260.0.800	3-113	58	1
68.0185.0.800	3-121	55	1	68.0213.0.050	3-35	35	1	68.0260.0.800	3-115	44	1
68.0186.0.600	3-121	56	1	68.0214.0.800	3-55	12	1	68.0261.0.000	3-113	59	1
68.0187.0.100	3-75	46	17	68.0214.0.800	3-59	49	1	68.0261.0.000	3-115	45	1
68.0188.0.600	3-65	17	1	68.0216.0.800	3-79	32	2	68.0262.0.800	3-113	60	1
68.0188.0.600	3-67	17	1	68.0217.0.800	3-89	8	1	68.0262.0.800	3-115	46	1
68.0189.1.800	3-65	18	1	68.0218.0.800	3-79	33	1	68.0263.0.000	3-113	61	1
68.0189.1.800	3-67	18	1	68.0219.0.800	3-79	34	1	68.0263.0.000	3-117	47	1
68.0190.0.600	3-65	19	1	68.0220.1.800	3-83	1	1	68.0264.0.300	3-113	62	1
68.0190.0.600	3-67	19	1	68.0221.0.400	3-83	2	1	68.0264.0.300	3-117	48	1
68.0191.0.600	3-65	20	2	68.0222.0.100	3-57	35	15	68.0265.0.100	3-113	63	2
68.0191.0.600	3-67	20	2	68.0223.0.300	3-25	47	1	68.0265.0.100	3-117	49	2
68.0192.0.600	3-65	21	1	68.0224.0.600	3-69	9	1	68.0265.0.100	3-131	8	1
68.0192.0.600	3-67	21	1	68.0226.0.800	3-131	1	1	68.0266.0.000	3-113	64	1
68.0193.0.600	3-65	22	1	68.0227.0.000	3-131	2	1	68.0266.0.000	3-117	50	1
68.0193.0.600	3-67	22	1	68.0228.0.100	3-77	50	2	68.0267.0.800	3-113	65	1
68.0194.0.600	3-65	23	1	68.0229.0.800	3-121	57	1	68.0267.0.800	3-117	51	1
68.0194.0.600	3-67	23	1	68.0230.1.992	3-81	4	1	68.0268.0.800	3-113	66	1
68.0195.0.300	3-65	24	1	68.0231.0.600	3-29	14	1	68.0268.0.800	3-117	52	1
68.0195.0.300	3-67	24	1	68.0233.0.800	3-29	15	1	68.0269.0.000	3-113	67	1
68.0196.0.600	3-65	25	1	68.0235.0.300	3-29	16	1	68.0269.0.000	3-117	53	1
68.0196.0.600	3-67	25	1	68.0236.0.800	3-29	17	1	68.0270.0.993	3-113	68	1
68.0197.0.300	3-65	26	1	68.0239.0.800	3-43	1	1	68.0270.0.993	3-117	54	1
68.0197.0.300	3-67	26	1	68.0240.0.800	3-43	2	1	68.0271.0.000	3-113	69	1
68.0198.0.800	3-65	27	1	68.0241.0.800	3-43	3	1	68.0271.0.000	3-117	55	1
68.0198.0.800	3-67	27	1	68.0242.0.800	3-3	24	1	68.0272.0.800	3-113	70	1
68.0200.0.300	3-77	47	1	68.0243.0.800	3-41	32	1	68.0272.0.800	3-117	56	1
68.0201.0.800	3-77	48	1	68.0244.0.300	3-41	33	1	68.0273.0.300	3-113	71	1

INDEX

PART NUMBER	PAGE	DET	QTY	PART NUMBER	PAGE	DET	QTY	PART NUMBER	PAGE	DET	QTY
68.0273.0.300	3-117	57	1	68.0311.0.992	3-127	9	(1)	68.0362.0.800	3-129	41	1
68.0274.0.400	3-113	72	1	68.0312.0.400	3-127	10	(1)	68.0363.0.800	3-129	42	1
68.0274.0.400	3-117	58	1	68.0313.0.992	3-127	11	(1)	68.0364.0.600	3-125	63	1
68.0275.0.300	3-113	73	1	68.0314.0.000	3-133	21	1	68.0365.0.800	3-129	43	1
68.0275.0.300	3-117	59	1	68.0315.0.000	3-133	22	1	68.0366.0.300	3-129	44	1
68.0276.0.400	3-113	74	3	68.0318.0.050	3-133	23	1	68.0367.0.600	3-129	45	1
68.0276.0.400	3-117	60	1	68.0321.0.800	3-135	44	1	68.0368.0.300	3-129	46	1
68.0277.0.800	3-113	75	1	68.0322.0.800	3-135	45	1	68.0369.0.400	3-129	47	2
68.0277.0.800	3-117	61	1	68.0323.0.800	3-135	46	1	68.0370.0.300	3-129	48	1
68.0278.0.800	3-113	76	1	68.0324.0.600	3-137	47	1	68.0371.0.600	3-129	49	1
68.0279.0.300	3-113	77	1	68.0325.0.300	3-137	48	2	68.0372.0.500	3-129	50	1
68.0280.0.000	3-113	78	1	68.0326.0.800	3-137	49	1	68.0373.0.500	3-129	51	1
68.0281.0.300	3-113	79	1	68.0327.0.800	3-137	50	1	68.0374.0.400	3-97	7	6
68.0282.0.000	3-113	80	1	68.0328.0.800	3-137	51	1	68.0381.0.600	3-109	12	1
68.0282.0.000	3-117	62	1	68.0329.0.300	3-137	52	2	68.0382.0.800	3-109	13	1
68.0283.0.400	3-113	81	2	68.0330.0.800	3-137	53	1	68.0383.0.800	3-109	14	1
68.0283.0.400	3-117	63	2	68.0332.0.000	3-137	54	1	68.0384.0.300	3-109	15	1
68.0284.0.000	3-113	82	1	68.0333.0.300	3-137	55	1	68.0385.0.300	3-109	16	1
68.0284.0.000	3-117	64	1	68.0334.0.800	3-137	56	1	68.0386.0.300	3-117	66	1
68.0285.0.600	3-123	40	1	68.0335.0.800	3-137	57	1	68.0387.0.100	3-59	31	4
68.0286.0.600	3-123	41	2	68.0336.0.000	3-141	53	1	68.0388.0.300	3-117	67	1
68.0287.0.600	3-123	42	1	68.0337.0.800	3-139	33	1	68.0389.0.800	3-141	54	1
68.0288.0.300	3-123	43	2	68.0338.0.300	3-139	34	2	68.0390.0.800	3-121	67	1
68.0289.0.800	3-123	44	1	68.0339.0.800	3-139	35	1	68.0391.0.800	3-57	42	1
68.0290.0.800	3-123	45	1	68.0340.0.800	3-139	36	1	68.0392.0.800	3-77	57	1
68.0291.0.300	3-125	46	1	68.0341.0.600	3-139	37	1	68.0393.0.600	3-143	4	1
68.0292.0.800	3-125	47	1	68.0342.0.300	3-139	38	1	68.0394.0.800	3-143	5	1
68.0293.0.800	3-125	48	1	68.0343.0.600	3-139	39	1	68.0395.0.800	3-143	6	1
68.0294.0.800	3-125	49	1	68.0344.0.300	3-139	40	1	68.0396.0.800	3-143	7	1
68.0295.0.600	3-125	50	1	68.0345.0.300	3-139	41	1	68.0397.0.800	3-143	8	1
68.0296.0.800	3-125	51	1	68.0346.0.000	3-139	42	1	68.6001.0.800	3-79	35	1
68.0297.0.300	3-125	52	2	68.0348.0.300	3-139	43	1	68.7001.0.050	3-79	36	1
68.0298.0.300	3-125	53	1	68.0349.0.300	3-139	44	1	68.7002.0.050	3-79	37	1
68.0300.0.000	3-125	54	1	68.0350.0.600	3-139	45	1	68.9031.0.050	3-63	26	1
68.0301.0.500	3-125	55	1	68.0351.0.800	3-139	46	1	68.9031.0.050	3-73	34	3
68.0302.0.500	3-125	56	1	68.0352.0.300	3-141	47	1	68.9031.0.050	3-121	63	1
68.0303.0.600	3-125	57	1	68.0353.0.800	3-141	48	1	68.9032.0.050	3-63	27	1
68.0304.0.800	3-125	58	1	68.0354.0.800	3-91	14	1	68.9032.0.050	3-73	35	3
68.0305.0.800	3-125	59	1	68.0355.0.800	3-91	15	1	68.9032.0.050	3-121	64	1
68.0306.0.800	3-125	60	1	68.0356.0.300	3-91	16	1	68.9901.0.607	3-98	0	0
68.0307.0.300	3-125	61	2	68.0357.0.800	3-91	17	1	68.9901.0.608	3-98	0	0
68.0308.0.400	3-125	62	2	68.0359.0.300	3-113	83	1	68.9901.0.610	3-98	0	0
68.0309.0.300	3-127	7	(1)	68.0359.0.300	3-117	65	1	68.9901.0.612	3-98	0	0
68.0310.0.050	3-127	1	0	68.0360.0.000	3-129	40	1	68.9901.0.614	3-98	0	0
68.0310.0.800	3-127	8	(1)	68.0361.0.800	3-91	18	1	68.9901.0.616	3-98	0	0

INDEX

PART NUMBER	PAGE	DET	QTY	PART NUMBER	PAGE	DET	QTY	PART NUMBER	PAGE	DET	QTY
68.9901.0.618	3-98	0	0	68.9907.0.810	3-102	0	0	68.9915.0.620	3-105	0	0
68.9901.0.620	3-98	0	0	68.9907.0.812	3-102	0	0	69.0010.0.004	3-33	28	1
68.9902.0.607	3-99	0	0	68.9907.0.812	3-102	0	0	69.0052.0.000	3-31	40	1
68.9902.0.608	3-99	0	0	68.9907.0.814	3-102	0	0	69.0052.0.000	3-97	12	1
68.9902.0.610	3-99	0	0	68.9907.0.814	3-102	0	0	69.0052.0.008	3-103	0	0
68.9902.0.612	3-99	0	0	68.9907.0.816	3-102	0	0	69.0052.0.012	3-103	0	0
68.9902.0.614	3-99	0	0	68.9907.0.816	3-102	0	0	73.0084.0.800	3-121	65	1
68.9902.0.616	3-99	0	0	68.9907.0.818	3-102	0	0	73.0302.0.600	3-39	9	4
68.9902.0.618	3-99	0	0	68.9907.0.818	3-102	0	0	84.0003.0.390	3-97	13	1
68.9902.0.620	0	0	0	68.9907.0.820	3-102	0	0	84.0004.6.940	3-77	53	5
68.9903.0.808	3-100	0	0	68.9907.0.820	3-102	0	0	S01928151	3-13	44	2
68.9903.0.814	3-100	0	0	68.9908.0.007	3-102	0	0	S01928151	3-15	44	2
68.9903.0.820	3-100	0	0	68.9908.0.008	3-102	0	0	S05246000	3-21	29	2
68.9904.0.808	3-100	0	0	68.9908.0.010	3-102	0	0	S07374109	3-9	38	1
68.9904.0.814	3-100	0	0	68.9908.0.012	3-102	0	0	S07376001	3-9	49	1
68.9904.0.820	3-100	0	0	68.9908.0.014	3-102	0	0	S07419001	3-13	6	(1)
68.9905.0.807	3-101	0	0	68.9908.0.016	3-102	0	0	S07419001	3-15	6	(1)
68.9905.0.807	3-101	0	0	68.9908.0.018	3-102	0	0	S07420000	3-13	5	(1)
68.9905.0.808	3-101	0	0	68.9909.0.814	3-103	0	0	S07420000	3-15	5	(1)
68.9905.0.808	3-101	0	0	68.9909.0.818	3-103	0	0	S07465000	3-7	18	(1)
68.9905.0.810	3-101	0	0	68.9909.0.824	3-103	0	0	S07740-001	3-17	7	(1)
68.9905.0.810	3-101	0	0	68.9910.0.814	3-103	0	0	S07746001	3-17	6	(1)
68.9905.0.812	3-101	0	0	68.9910.0.818	3-103	0	0	S09260001	3-13	4	(1)
68.9905.0.812	3-101	0	0	68.9910.0.824	3-103	0	0	S09260001	3-15	4	(1)
68.9905.0.814	3-101	0	0	68.9911.0.807	3-103	0	0	S09261001	3-13	4	(1)
68.9905.0.814	3-101	0	0	68.9911.0.810	3-103	0	0	S09261001	3-15	4	(1)
68.9905.0.816	3-101	0	0	68.9911.0.812	3-103	0	0	S12441001	3-27	32	(1)
68.9905.0.816	3-101	0	0	68.9911.0.814	3-103	0	0	S13160001	3-5	15	1
68.9905.0.818	3-101	0	0	68.9911.0.816	3-103	0	0	S20681000	3-25	25	(2)
68.9905.0.818	3-101	0	0	68.9911.0.818	3-103	0	0	S20682105	3-25	26	(2)
68.9905.0.820	3-101	0	0	68.9911.0.820	3-103	0	0	S23418002	3-27	19	(1)
68.9905.0.820	3-101	0	0	68.9912.0.807	3-103	0	0	S23651001	3-5	10	2
68.9906.0.007	3-101	0	0	68.9912.0.810	3-103	0	0	S23651001	3-5	18	2
68.9906.0.008	3-101	0	0	68.9912.0.818	3-103	0	0	S23651001	3-11	9	4
68.9906.0.010	3-101	0	0	68.9914.0.610	3-104	0	0	S25234001	3-5	3	1
68.9906.0.012	3-101	0	0	68.9914.0.612	3-104	0	0	S25235001	3-5	11	1
68.9906.0.014	3-101	0	0	68.9914.0.614	3-104	0	0	S25236001	3-5	12	1
68.9906.0.016	3-101	0	0	68.9914.0.616	3-104	0	0	S25236001	3-9	13	1
68.9906.0.018	3-101	0	0	68.9914.0.618	3-104	0	0	S25236001	3-19	11	1
68.9906.0.020	3-101	0	0	68.9914.0.620	3-104	0	0	S25260001	3-5	8	2
68.9907.0.807	3-102	0	0	68.9915.0.610	3-105	0	0	S25260001	3-7	21	(4)
68.9907.0.807	3-102	0	0	68.9915.0.612	3-105	0	0	S25789000	3-27	9	(1)
68.9907.0.808	3-102	0	0	68.9915.0.614	3-105	0	0	S31032001	3-27	31	(1)
68.9907.0.808	3-102	0	0	68.9915.0.616	3-105	0	0	S34438051	3-3	10	4
68.9907.0.810	3-102	0	0	68.9915.0.618	3-105	0	0	S36663051	3-3	9	1

INDEX

PART NUMBER	PAGE	DET	QTY	PART NUMBER	PAGE	DET	QTY	PART NUMBER	PAGE	DET	QTY
S37060001	3-3	14	1	SA2485001	3-7	20	(2)	SA2568001	3-13	41	2
S38212001	3-13	16	(1)	SA2486101	3-7	22	1	SA2568001	3-15	41	2
S38212001	3-15	16	(1)	SA2489001	3-7	25	1	SA2571001	3-19	5	1
S38266000	3-21	9	1	SA2490101	3-7	28	1	SA2574001	3-13	21	((2))
S38274001	3-25	32	(1)	SA2493001	3-7	34	2	SA2574001	3-13	24	((3))
S38398001	3-5	5	1	SA2494001	3-7	35	1	SA2574001	3-15	20	((2))
S38422001	3-9	19	1	SA2511001	3-9	2	(2)	SA2574001	3-15	23	((3))
S38481000	3-19	2	1	SA2512001	3-9	4	(1)	SA2575001	3-13	22	((1))
S38481000	3-19	4	1	SA2515001	3-9	5	(3)	SA2575001	3-15	21	((1))
S38707001	3-5	4	1	SA2516001	3-9	6	1	SA2575001	3-19	7	(1)
S39830101	3-9	27	1	SA2518001	3-9	11	1	SA2576001	3-13	23	(1)
S48367000	3-9	41	2	SA2521001	3-9	14	1	SA2576001	3-15	22	(1)
S50098101	3-9	24	1	SA2523001	3-9	26	1	SA2579001	3-15	30	(1)
S51815001	3-21	2	(2)	SA2525001	3-9	28	1	SA2584001	3-19	8	1
SA1120001	3-5	9	1	SA2526001	3-9	30	1	SA2585001	3-9	12	1
SA1360001	3-27	26	1	SA2527001	3-9	31	1	SA2585001	3-19	10	1
SA1668111	3-17	1	1	SA2528101	3-9	33	1	SA2585001	3-19	14	1
SA1971101	3-27	1	1	SA2529101	3-9	34	1	SA2587001	3-19	12	1
SA1975001	3-27	3	(1)	SA2530001	3-9	37	1	SA2596001	3-21	36	1
SA1978001	3-27	4	(1)	SA2531001	3-9	39	1	SA2597001	3-21	37	1
SA1980001	3-27	7	(1)	SA2532001	3-9	46	1	SA2598001	3-21	38	1
SA1981101	3-27	10	(1)	SA2533001	3-9	50	1	SA2599001	3-21	20	1
SA1982101	3-27	11	((1))	SA2543001	3-11	4	1	SA2599001	3-21	24	1
SA1983001	3-27	12	((1))	SA2544001	3-11	6	1	SA2604001	3-23	49	1
SA1984001	3-27	16	(1)	SA2546001	3-11	8	2	SA2605001	3-23	50	1
SA1985001	3-27	18	(1)	SA2550001	3-11	25	1	SA2606101	3-23	54	1
SA1988001	3-27	20	(1)	SA2551001	3-11	26	2	SA2613001	3-25	4	(1)
SA1989001	3-27	21	(1)	SA2553001	3-11	17	1	SA2614001	3-25	5	(1)
SA1990101	3-27	22	(1)	SA2554001	3-11	18	1	SA2615001	3-25	6	(2)
SA1991001	3-27	23	(1)	SA2555001	3-11	28	1	SA2619001	3-25	7	(1)
SA1992101	3-27	25	3	SA2556001	3-13	35	2	SA2620001	3-25	9	(1)
SA1994001	3-27	28	1	SA2556001	3-13	37	2	SA2621001	3-25	10	(1)
SA2041001	3-3	15	1	SA2556001	3-15	35	2	SA2623001	3-25	8	(1)
SA2190001	3-27	24	(1)	SA2556001	3-15	39	2	SA2624001	3-25	13	(1)
SA2441001	3-3	3	1	SA2557001	3-13	7	(1)	SA2625001	3-25	14	(1)
SA2443001	3-3	5	1	SA2557001	3-15	7	(1)	SA2626001	3-25	12	(1)
SA2444001	3-3	7	1	SA2560001	3-13	10	(1)	SA2626001	3-25	15	(1)
SA2445001	3-3	8	1	SA2560001	3-15	10	(1)	SA2627001	3-25	16	(1)
SA2463001	3-5	24	1	SA2562101	3-13	18	(1)	SA2628001	3-25	17	(1)
SA2469001	3-5	26	1	SA2563101	3-15	29	(1)	SA2629001	3-25	18	(1)
SA2474101	3-7	3	(1)	SA2565001	3-13	34	2	SA2630001	3-25	21	(1)
SA2475001	3-7	5	(1)	SA2565001	3-15	38	2	SA2632001	3-25	30	(1)
SA2482001	3-7	11	(1)	SA2566001	3-11	15	1	SA2633001	3-25	33	(2)
SA2483001	3-7	12	(1)	SA2567001	3-13	38	2	SA2634001	3-25	36	(1)
SA2484001	3-7	13	(1)	SA2567001	3-15	40	2	SA2635001	3-25	38	(1)

INDEX

PART NUMBER	PAGE	DET	QTY	PART NUMBER	PAGE	DET	QTY	PART NUMBER	PAGE	DET	QTY
SA2636001	3-25	43	2	SA3059001	3-5	31	1	SA4009001	3-11	33	1
SA2638001	3-25	45	1	SA3060001	3-21	34	1	SA4011001	3-11	36	1
SA2639001	3-25	40	1	SA3061001	3-21	27	2	SA4012001	3-13	30	(1)
SA2640001	3-25	46	2	SA3062001	3-9	1	1	SA4012001	3-15	26	(1)
SA2720001	3-5	22	1	SA3065001	3-5	30	1	SA4014001	3-23	59	1
SA2722001	3-13	33	2	SA3067001	3-9	40	1	SA4025001	3-11	30	1
SA2722001	3-15	37	2	SA3147001	3-21	22	1	SA4026001	3-13	14	(1)
SA2723001	3-21	16	1	SA3147001	3-21	26	1	SA4026001	3-15	14	(1)
SA2724001	3-11	35	1	SA3147001	3-21	35	2	SA4028001	3-11	3	1
SA2724001	3-21	17	1	SA3415001	3-25	2	(2)	SA4029001	3-13	3	(1)
SA2727101	3-21	28	2	SA3417001	3-25	1	1	SA4029001	3-15	3	(1)
SA2746201	3-5	1	1	SA3710001	3-7	6	(1)	SA4033001	3-21	11	1
SA2748001	3-5	16	1	SA3711001	3-7	9	(1)	SA4038001	3-13	4	(1)
SA2750001	3-5	19	1	SA3712001	3-7	10	(1)	SA4038001	3-15	4	(1)
SA2755101	3-13	1	1	SA3840001	3-11	10	1	SA4042001	3-13	26	(1)
SA2757201	3-15	1	1	SA3848001	3-7	17	(1)	SA4043001	3-15	31	(1)
SA2759001	3-19	6	1	SA3852001	3-7	19	(1)	SA4044001	3-13	28	(1)
SA2768101	3-3	22	1	SA3854001	3-7	2	(1)	SA4045001	3-15	32	(1)
SA2806001	3-11	31	1	SA3855001	3-11	1	1	SA4089001	3-5	2	1
SA2824001	3-25	20	(1)	SA3856001	3-13	8	(1)	SA4117001	3-7	30	1
SA2825001	3-13	43	4	SA3856001	3-15	8	(1)	SA4118001	3-7	32	1
SA2825001	3-15	34	4	SA3859001	3-13	9	(1)	SA4124101	3-7	1	1
SA2861001	3-5	13	1	SA3859001	3-15	9	(1)	SA4205001	3-21	1	1
SA2927001	3-11	13	1	SA3864001	3-11	11	1	SA4212001	3-25	3	(1)
SA2928001	3-11	29	2	SA3886001	3-11	12	1	SA4213001	3-19	15	1
SA2929001	3-3	12	1	SA3887001	3-11	21	1	SA4214001	3-5	23	2
SA2929001	3-3	13	2	SA3888001	3-11	22	1	SA4215001	3-21	10	1
SA2929001	3-21	8	1	SA3889101	3-13	13	(1)	SA4335001	3-5	6	1
SA2929001	3-21	13	2	SA3889101	3-15	13	(1)	SA4444001	3-13	4	(1)
SA2935101	3-5	14	1	SA3890001	3-19	1	1	SA4444001	3-15	4	(1)
SA2956001	3-21	5	1	SA3891001	3-19	3	1	SA4506001	3-25	34	(1)
SA2957001	3-21	6	2	SA3894001	3-13	31	(1)	SA4507001	3-25	35	(1)
SA3037001	3-21	32	1	SA3894001	3-15	27	(1)	SA4549001	3-13	20	(1)
SA3040001	3-21	33	1	SA3896001	3-21	19	1	SA4549001	3-15	19	(1)
SA3044001	3-21	44	1	SA3898001	3-21	23	1	W01519001	3-11	32	(4)
SA3045101	3-21	41	1	SA3916001	3-15	33	1				
SA3046001	3-21	42	1	SA3923001	3-23	47	2				
SA3047001	3-23	46	1	SA3924001	3-3	2	1				
SA3048101	3-23	56	1	SA3946001	3-21	4	1				
SA3049001	3-23	57	1	SA3961001	3-13	2	(1)				
SA3054001	3-13	25	(1)	SA3961001	3-15	2	(1)				
SA3055101	3-21	45	4	SA3965001	3-11	2	1				
SA3056001	3-9	20	1	SA3988001	3-13	42	1				
SA3057001	3-5	28	1	SA3990001	3-11	20	1				
SA3058101	3-5	29	1	SA4007001	3-7	15	(1)				