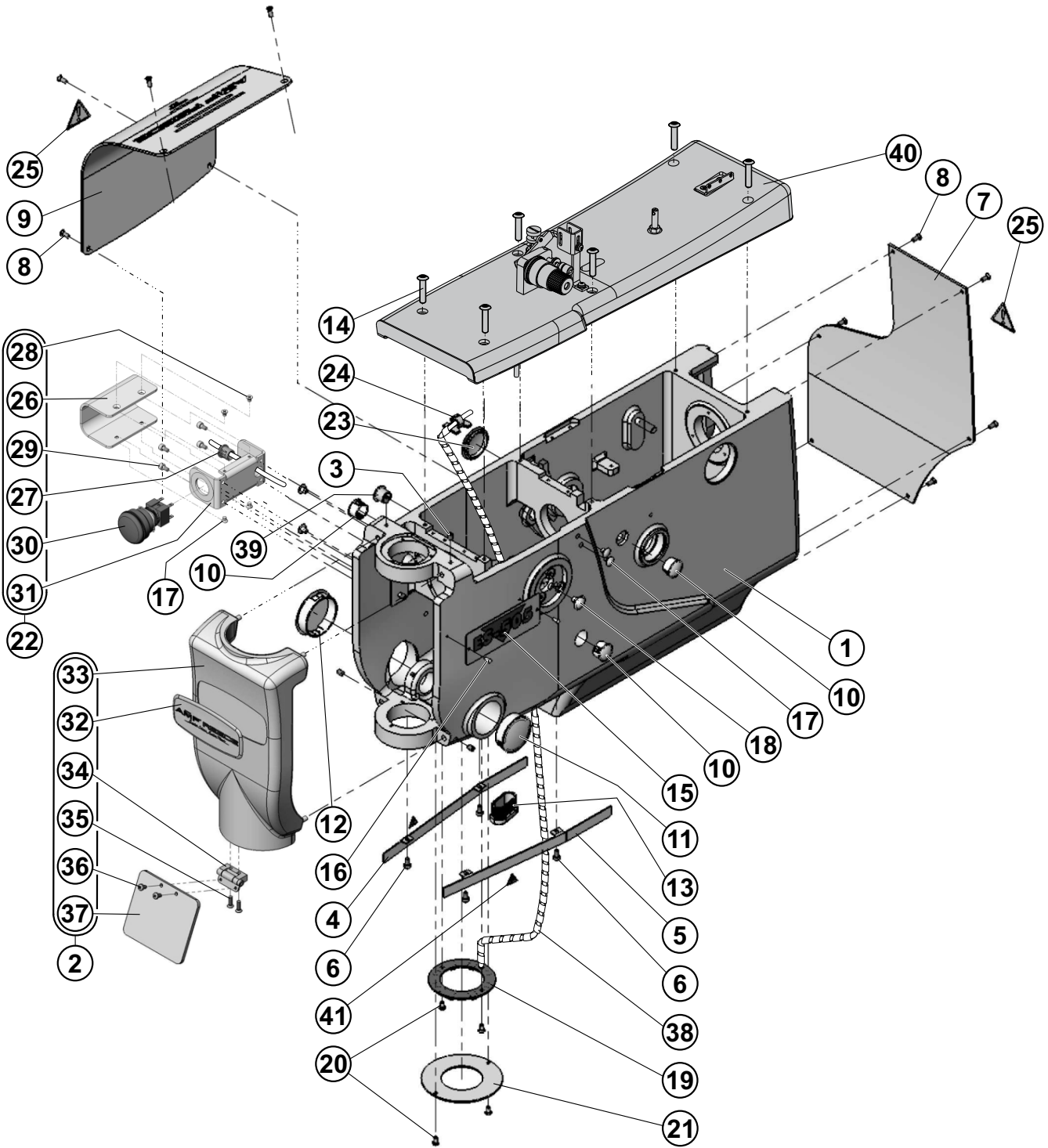


## TABLE OF CONTENTS

---

Covers Head.....	3-2
Cutting.....	3-4
Needle Bar and Top Bearing.....	3-6
Crank Mechanism.....	3-8
Bite Assembly.....	3-10
Top Thread Tension.....	3-14
Bedplate - Assembly.....	3-16
X-Axis Mechanism.....	3-20
Y-Axis Mechanism.....	3-22
R-Axis Mechanism.....	3-24
Race Assembly.....	3-26
Take-up Lower and Gimp.....	3-30
Trimming and Cutting - Base.....	3-32
Main Shaft - Base.....	3-34
Covers Base.....	3-36
Lubrication (Head + Base).....	3-38
Case - Assembly.....	3-40
Filter Regulator - Assembly.....	3-42
Valve Block.....	3-44
Electrobox.....	3-46
Embedded Assembly + Panel Kit Omron.....	3-48
Standard Accessories.....	3-50
Version AF ES-505.....	3-52
AF - Clamping - Assembly.....	3-54
Version CT ES-505.....	3-56
CT - Assembly.....	3-58
CT - Clamping - Assembly 10-22.....	3-60
CT - Clamping - Assembly.....	3-64
Version LTT.....	3-68
Version LTT + Ultraflex.....	3-70
Ultraflex - Assembly.....	3-72
LTT - Assembly.....	3-74
LTT + Extra parts.....	3-76
LTT + Ultraflex - Clamping.....	3-78
Version RDE.....	3-82
RDE - Clamping Assembly.....	3-84
Indexer Assembly.....	3-86
Angle Indexer - Indexer Assembly.....	3-90
Angle Indexer.....	3-92
Thread Catcher - Assembly.....	3-94
Pedal.....	3-96
Accessories.....	3-98

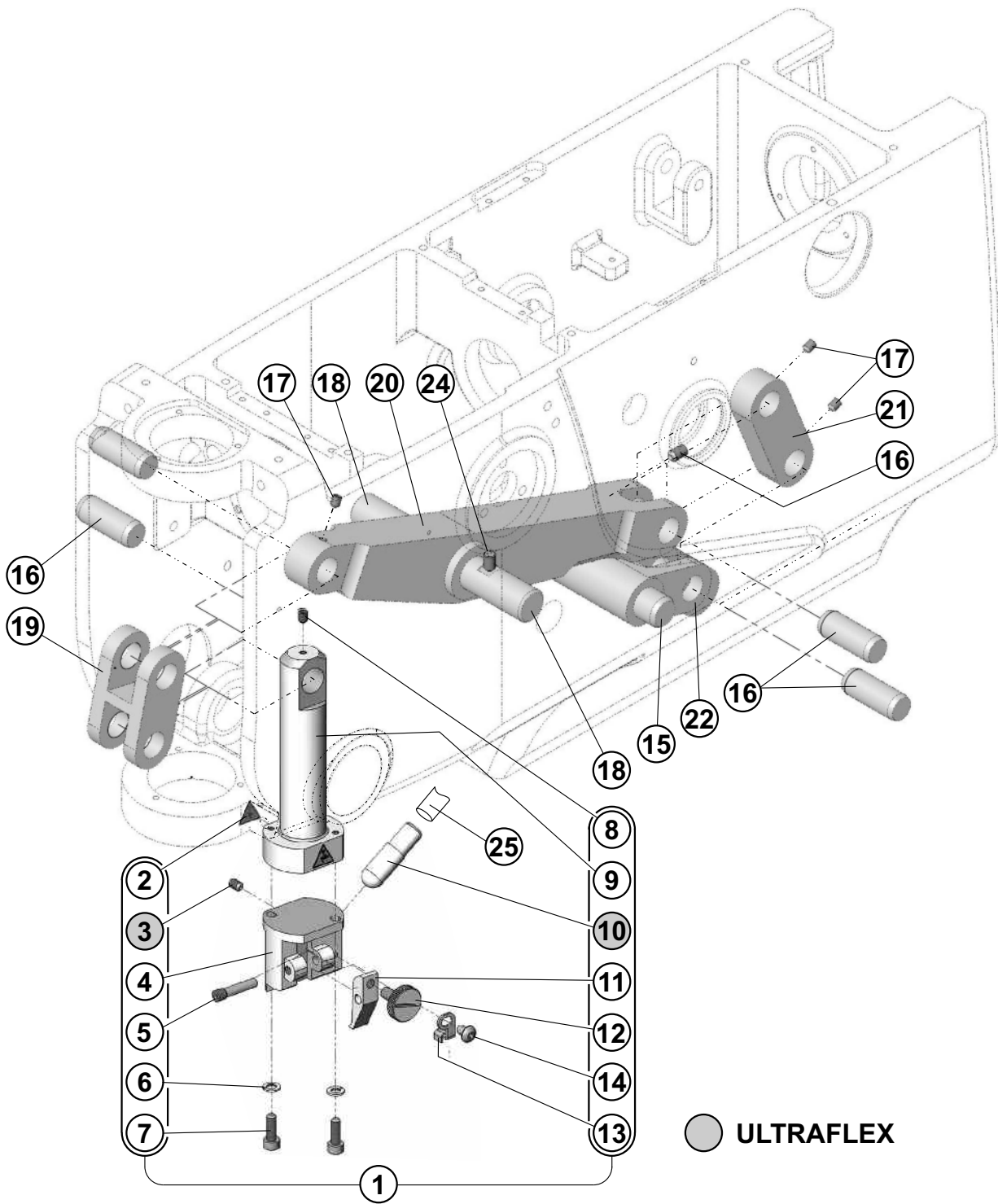
# COVERS HEAD



## COVERS HEAD

DET	PART NUMBER	DESCRIPTION	QTY.
01	15.1001.1.700	HEAD ES-505	1
02	15.1401.1.050	FRONT COVER - ASSEMBLY	1
03	08.6400.4.006	SCREW M4-6	2
04	15.1407.0.800	BELT COVER-LEFT	1
05	15.1408.0.800	BELT COVER-RIGHT	1
06	08.6000.3.006	SCREW M3-6	4
07	15.1403.0.800	REAR COVER	1
08	15.1420.0.100	SCREW M3-8	10
09	15.1404.0.800	SIDE COVER	1
10	12.0010.6.902	PLUG	3
11	12.0010.6.903	PLUG	1
12	12.0010.6.904	PLUG	1
13	12.0008.6.992	PLUG	1
14	15.1421.0.100	SCREW M4-25	6
15	12.8000.1.032	LABEL ES 505	1
16	12.1016.0.000	RIVET	2
17	12.0010.4.094	PLUG M5	5
18	12.0008.4.571	PLUG 6,5	1
19	12.0010.4.184	LIGHT RING	1
20	15.1422.0.100	SCREW M3-5	4
21	15.1414.0.992	LED COVER	1
22	15.1405.0.050	EMERGENCY STOP COVER - ASSEMBLY	1
23	12.0010.6.905	PLUG	1
24	12.0008.4.862	CLIPS-METAL	1
25	17.0097.5.174	LABEL- WARNING	2
26	15.1406.0.800	COVER EMERGENCY STOP	(1)
27	12.0008.4.214	BUSHING	(1)
28	15.1424.0.100	SCREW	(4)
29	08.6000.3.006	SCREW	(4)
30	12.0010.4.191	EMERGENCY STOP	(1)
31	15.1405.0.800	HOLDER EMERGENCY STOP	(1)
32	12.8000.0.436	LABEL (AMFREECE) ACRYL	(1)
33	15.1401.0.700	FRONT COVER	(1)
34	15.1416.0.000	HINGE	(1)
35	15.1423.0.100	SCREW M3-10	(2)
36	15.1422.0.100	SCREW	(2)
37	15.1410.0.992	COVER PLEXI	(1)
38	SEE PAGE...	SPIRAL HOSE	1
39	12.0010.6.907	PLUG	1
40	SEE PAGE 3-14	TOP THREAD TENSION	1
41	12.8000.0.437	LABEL - DANGER INJURY	2

# CUTTING

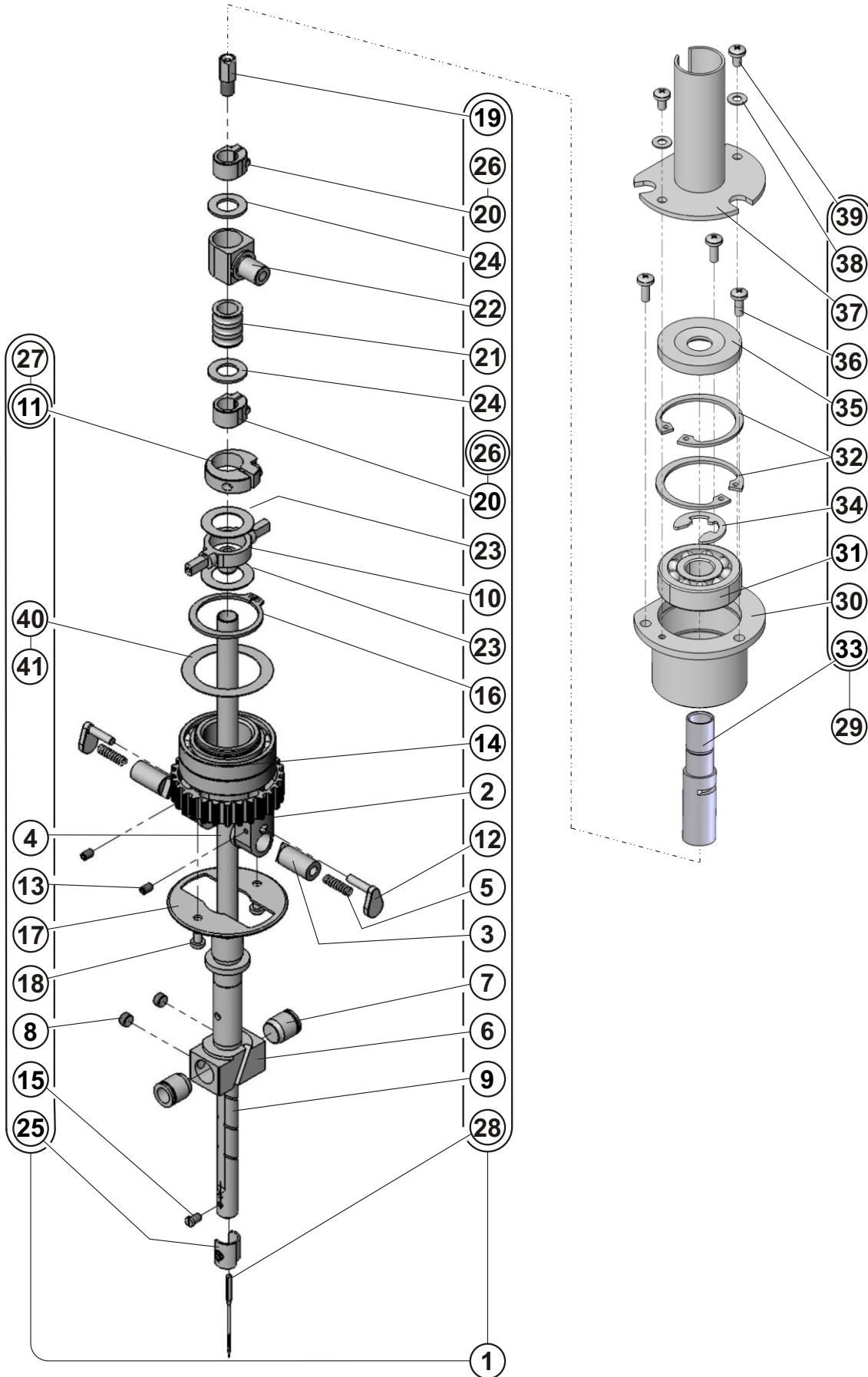


## CUTTING

DET	PART NUMBER	DESCRIPTION	QTY.
01	15.5009.0.050	CUTTER - ASSEMBLY	1
02	12.8000.0.437	LABEL-DANGER INJURY	(2)
03	08.6400.4.006	SCREW M4-6	(1)
04	15.5009.0.600	CUTTER DRIVING HOLDER	(1)
05	15.5013.0.100	STUD	(1)
06	08.6802.4.000	WASHER 4,1	(2)
07	08.6000.4.012	SCREW M4-12	(2)
08	08.6400.4.004	SCREW M4-4	(1)
09	15.5008.0.300	CUTTER DRIVING SHAFT	(1)
10	15.5011.0.400	INSERT	(1)
11	15.5012.0.600	KNIFE HOLDER	(1)
12	15.5020.0.100	SCREW	(1)
13	15.5014.0.800	STOP	(1)
14	15.5009.0.050	SCREW M4-5	(1)
15	15.5006.0.300	SHAFT	1
16	12.1010.0.030	PIN 12h8-30	4
17	08.6400.4.004	SCREW M4-4	3
18	15.5005.0.300	SHAFT	1
19	15.5004.0.600	DRAW BAR	1
20	15.5001.0.600	CUTTING LEVER	1
21	15.5003.0.600	DRAW BAR	1
22	15.5002.0.600	LEVER	1
23	15.5009.0.050	CUTTER - ASSEMBLY	1
24	08.6400.5.008	SCREW M5-8	2
25	15.5024.0.992	AIR TUBING-SUCTION	1

**ULTRAFLEX**

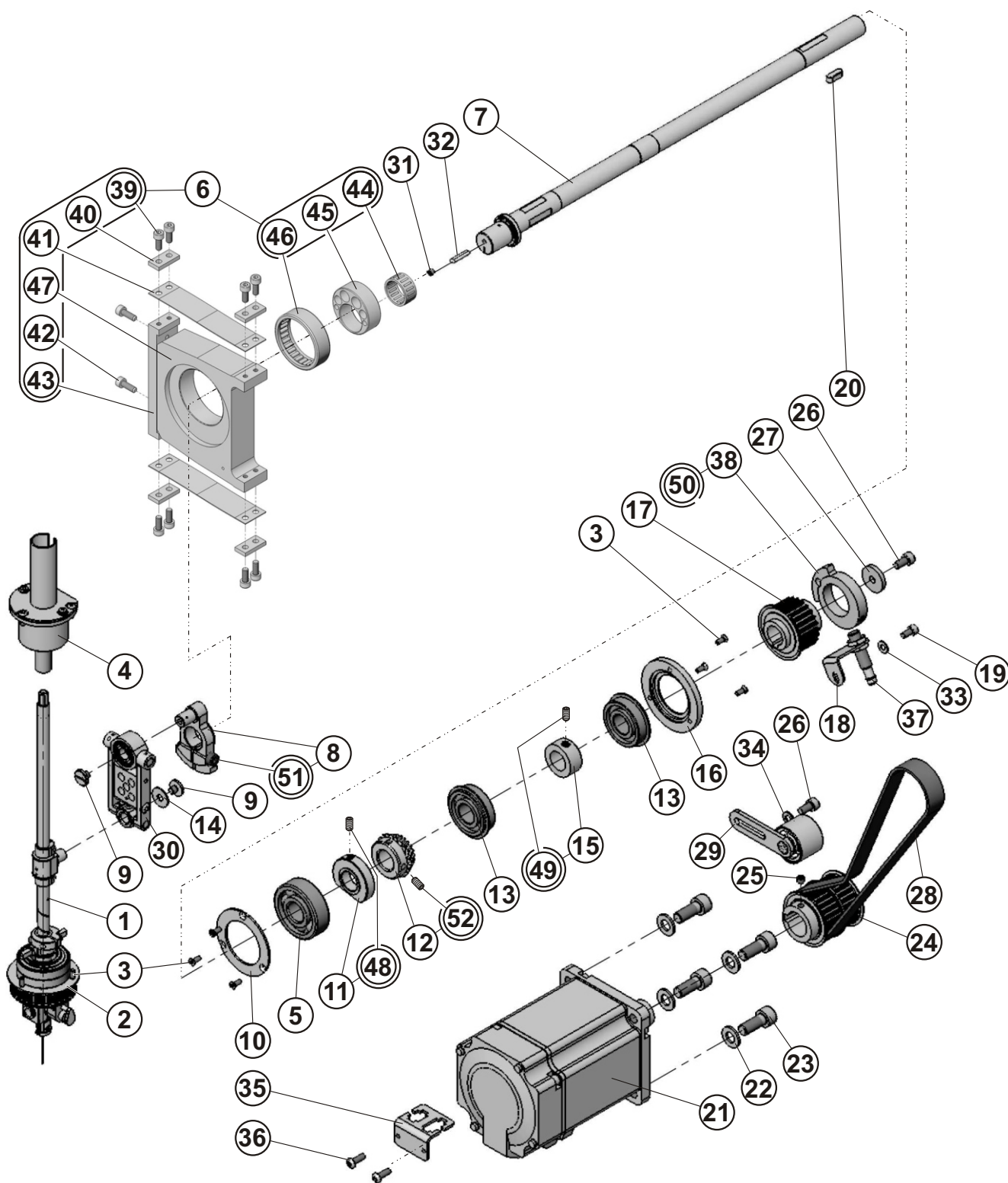
# NEEDLE BAR AND TOP BEARING



## NEEDLE BAR AND TOP BEARING

DET	PART NUMBER	DESCRIPTION	QTY.
01	15.4001.0.050	NEEDLE BAR - ASSEMBLY	1
02	15.4002.0.500	GEAR TIMING BELT	(1)
03	17.0031.3.027	PIN	(2)
04	15.4019.0.400	WASHER	(2)
05	17.0026.1.084	SPRING	(2)
06	15.4003.0.400	GUIDE, NEEDLE BAR	(1)
07	14.1025.3.000	BUTTON UNI	(2)
08	18.0011.2.400	SCREW M5-0,5-3	(2)
09	15.4001.0.000	NEEDLE BAR	(1)
10	15.4009.0.400	GIMBAL HEAD	(1)
11	17.0043.6.351	COLLAR	(1)
12	10.1021.2.000	RETAINER SPRING	(2)
13	08.6400.3.005	SCREW M3-5	(2)
14	12.2010.0.024	BEARING	(2)
15	19.0011.1.401	SCREW	(1)
16	15.1422.0.100	RETAINING RING	(1)
17	15.4007.0.800	WASHER	(1)
18	15.1422.0.100	SCREW M3-5	(2)
19	14.1032.3.000	BUSHING N.B. UNI	(1)
20	15.1116.0.400	CLAMP	(2)
21	15.1114.0.400	BUSHING	(1)
22	15.1115.0.600	EYE	(1)
23	15.4017.0.800	WASHER	(2)
24	15.4020.0.400	WASHER	(2)
25	19.0082.1.414	THREAD GUIDE	(1)
26	15.1137.0.100	SCREVV	((2))
27	17.0012.0.543	SCREW	((1))
28	02.0579.1.111	NEEDLE	(1)
29	15.4010.0.050	TOP BEARING - ASSEMBLY	1
30	15.4005.0.400	BUSHING	(1)
31	12.2010.1.004	BEARING	(1)
32	12.1040.1.011	CIRCLIP	(2)
33	15.4006.0.400	BUSHING	(1)
34	12.1045.0.009	E-CLIP	(1)
35	15.4008.0.400	WASHER	(1)
36	15.1425.0.000	SCREW M3-8	(3)
37	15.1409.0.000	NEEDLE BAR GUARD	(1)
38	08.6852.3.000	WASHER M3	(2)
39	15.1422.0.100	SCREW M3-5	(2)
40	15.4021.0.800	DISTANCE WASHER 25 x 35 x 0,1	(1)
41	15.4022.0.800	DISTANCE WASHER 25 x 35 x 0,2	(1)

# CRANK MECHANISM

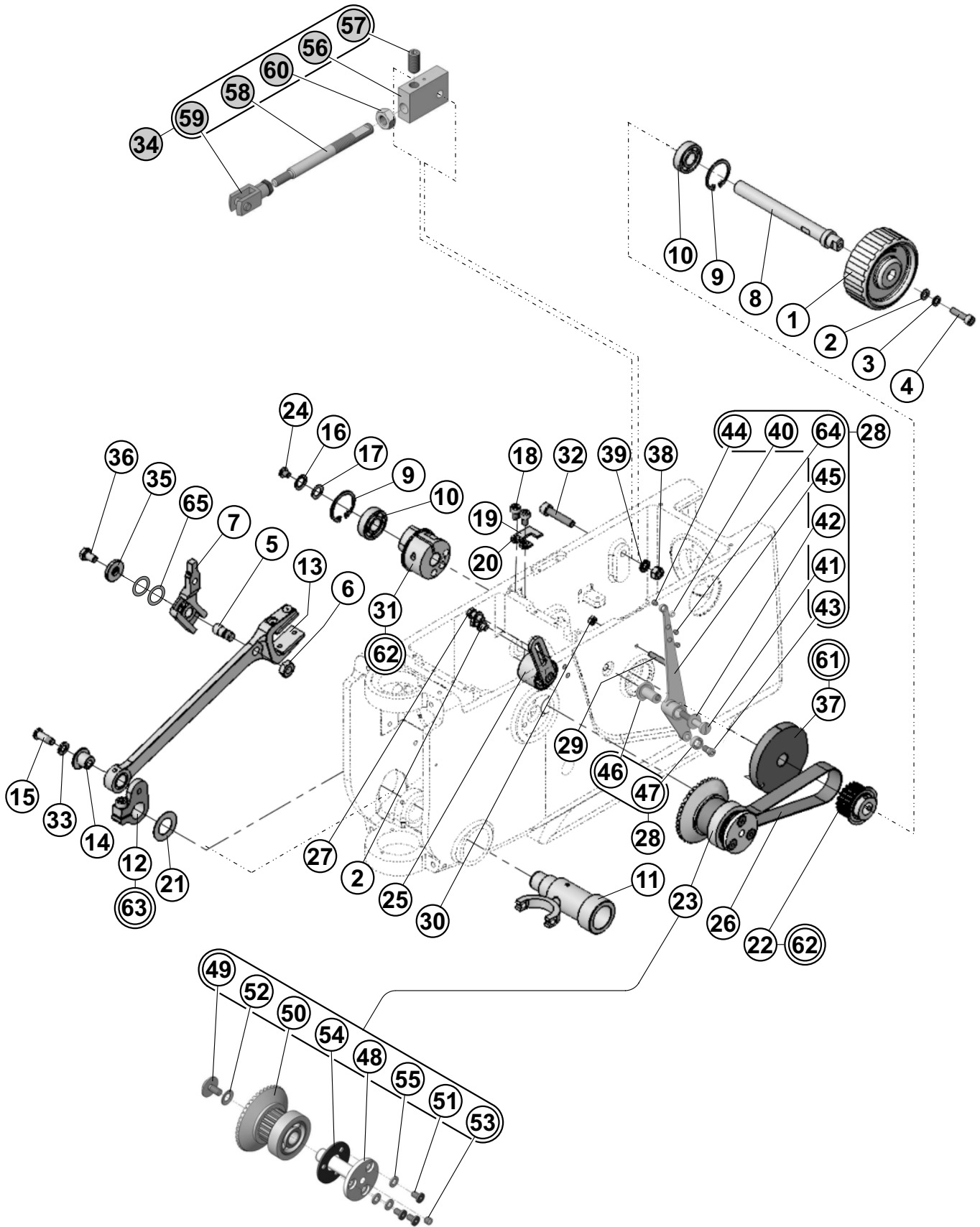




## CRANK MECHANISM

DET	PART NUMBER	DESCRIPTION	QTY.
01	15.4001.0.050	NEEDLE BAR	1
02	15.4004.0.800	WASHER	1
03	15.1420.0.100	SCREW	9
04	15.4010.0.050	TOP BEARING - ASSEMBLY	1
05	01.7804.0.000	BEARING	1
06	15.1201.0.050	BALANCING MECHANISM	1
07	15.1101.0.300	SHAFT	1
08	15.1102.0.600	UPPER SHAFT CRANK	1
09	15.1117.0.100	SCREW	2
10	15.1138.0.800	WASHER	1
11	15.1205.0.400	RING	1
12	15.4426.0.500	GEAR	1
13	01.7805.0.000	BEARING	2
14	15.1142.0.400	WASHER 5/15	1
15	12.1050.0.001	CLAMP COLLAR	1
16	15.1108.0.400	BEARING COVER	1
17	15.1139.0.500	NEEDLE BAR DRIVE PULLEY	1
18	15.1123.0.800	SENSOR BRACKET	1
19	08.6000.4.008	SCREW M4-8	1
20	12.4030.0.514	KEY 5e9x5x14	1
21	15.1144.0.000	SERVOMOTOR	1
22	08.6850.8.000	WASHER 8	4
23	08.6000.8.420	SCREW M8x1-20	4
24	15.1140.0.500	MOTOR PULLEY	1
25	08.6400.5.005	SCREW M5-5	1
26	08.6000.5.010	SCREW M5-10	2
27	15.1146.0.400	WASHER	1
28	12.5050.2.027	BELT	1
29	15.1128.0.050	TENSION PULLEY	1
30	15.1110.0.050	NEEDLE BAR CRANK ASSEMBLY	1
31	08.6400.4.004	SCREW M4-4	1
32	15.1134.0.991	OIL WICK	1
33	08.6850.4.000	WASHER M4	1
34	08.6850.5.000	WASHER 5,3	1
35	15.1145.0.800	SERVO CABLE HOLDER	1
36	08.6202.4.010	SCREW M4-10	2
37	12.0010.4.093	SENSOR BQ 10	1
38	15.1143.1.400	SENSOR RING	1
39	08.6000.4.010	SCREW M4-10	(8)
40	15.1207.0.800	CLAMP	(4)
41	15.1211.0.800	FLAT SPRING FRONT	(2)
42	08.6000.4.012	SCREW M4-12	(2)
43	15.1209.0.600	SPRING BEAM	(1)
44	12.2050.0.010	BEARING	(1)
45	15.2004.0.400	ECCENTRIC	(1)
46	12.2050.1.013	BEARING	(1)
47	15.1201.0.600	COUNTERWEIGHT - FRONT	(1)
48	08.6400.5.010	SCREW	(1)
49	08.6400.6.006	SCREW	(1)
50	08.6850.5.000	WASHER 5,3	(1)
51	08.6000.5.025	SCREW	(1)

# BITE ASSEMBLY



 **DRIVE BITE MECHANISM**

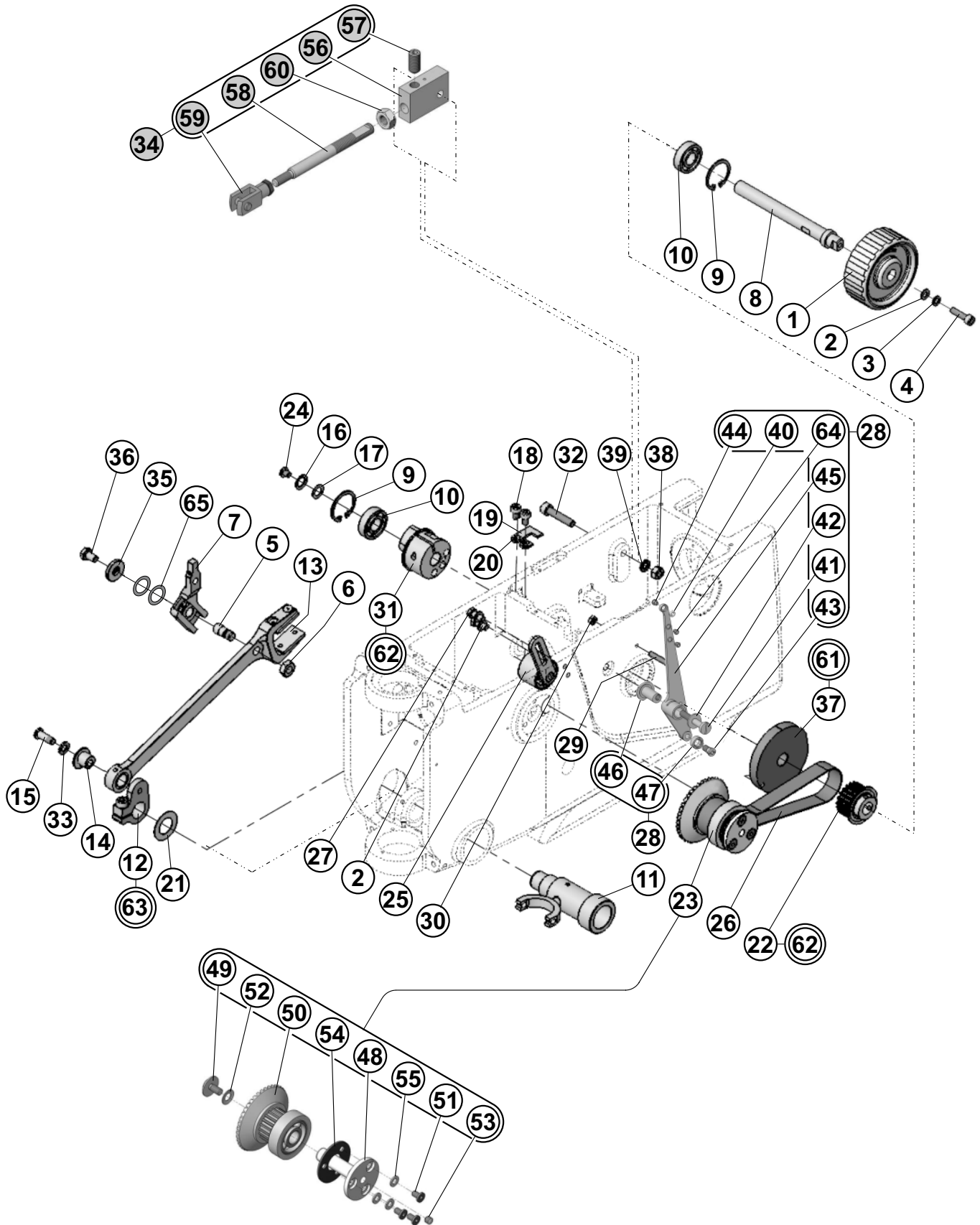
## BITE ASSEMBLY

DET	PART NUMBER	DESCRIPTION	QTY.
01	15.4409.0.400	HAND WHEEL	1
02	08.6850.5.000	WASHER 5,3	3
03	08.6802.5.000	SPRING WASHER M5	1
04	08.6000.5.020	SCREW M5-20	1
05	17.0033.1.109	SCREW	1
06	17.0016.1.190	NUT M8x1	1
07	15.4418.0.700	BRACKET	1
08	15.4404.0.300	SHAFT	1
09	12.1040.1.002	RETANING RING 28	2
10	12.2010.0.011	BEARING	2
11	15.4401.0.400	ZIGZAG DRIVING STUD	1
12	15.4402.0.600	ROCKING LEVER	1
13	15.4403.0.000	FORK LEVER	1
14	15.4439.0.400	ECCENTRIC	1
15	15.4440.0.100	CEP M6x0,75-12,5	1
16	08.6802.8.300	WASHER 8	1
17	24.4068.0.005	WASHER	1
18	08.6000.5.008	SCREW M5 x 8	2
19	15.4416.0.800	STOP	1
20	15.4417.0.800	STOP	1
21	08.6887.0.500	WASHER 0,5-16x28	1
22	15.4423.0.500	GEAR 20z	1
23	15.4427.0.050	GEAR ASSYEMBLY	1
24	08.6050.5.006	SCREW M5-6	1
25	15.1128.0.050	TENSION PULLEY	1
26	12.5050.2.026	BELT POLY CHAIN CARBON	1
27	08.6310.5.012	SCREW M5-12	2
28	15.4412.1.050	THREAD TAKE-UP LEVER ASSEMBLY	1
29	08.6420.4.030	SCREW M4x25	1
30	08.6700.4.000	NUT M4	1
31	15.4405.0.050	BITE CAM ASSEMBLY	1
32	08.6000.6.030	SCREW M6-30	1
33	08.6802.6.000	SPRING WASHER M6	1
34	03.5515.0.017	DRIVE BITE MECHANISM ASSEMBLY	1
35	15.4442.1.400	WASHER	1
36	08.6310.6.012	SCREW M6-12	1
37	15.4415.2.400	THREAD TAKE-UP CAM	1
38	08.6700.6.000	NUT M6	1
39	08.6800.6.000	WASHER 6	1
40	01.6551.0.000	O RING	(1)
41	15.4435.1.100	SCREW	(1)
42	17.0019.0.230	WASHER	(1)
43	15.4413.0.300	STUD	(1)
44	01.7447.1.000	GUIDE	(1)
45	15.4412.1.600	TAKÉ-UP LEVER	(1)
46	15.4421.0.400	BUSHING PIVOT	(1)

DRIVE BITE MECHANISM



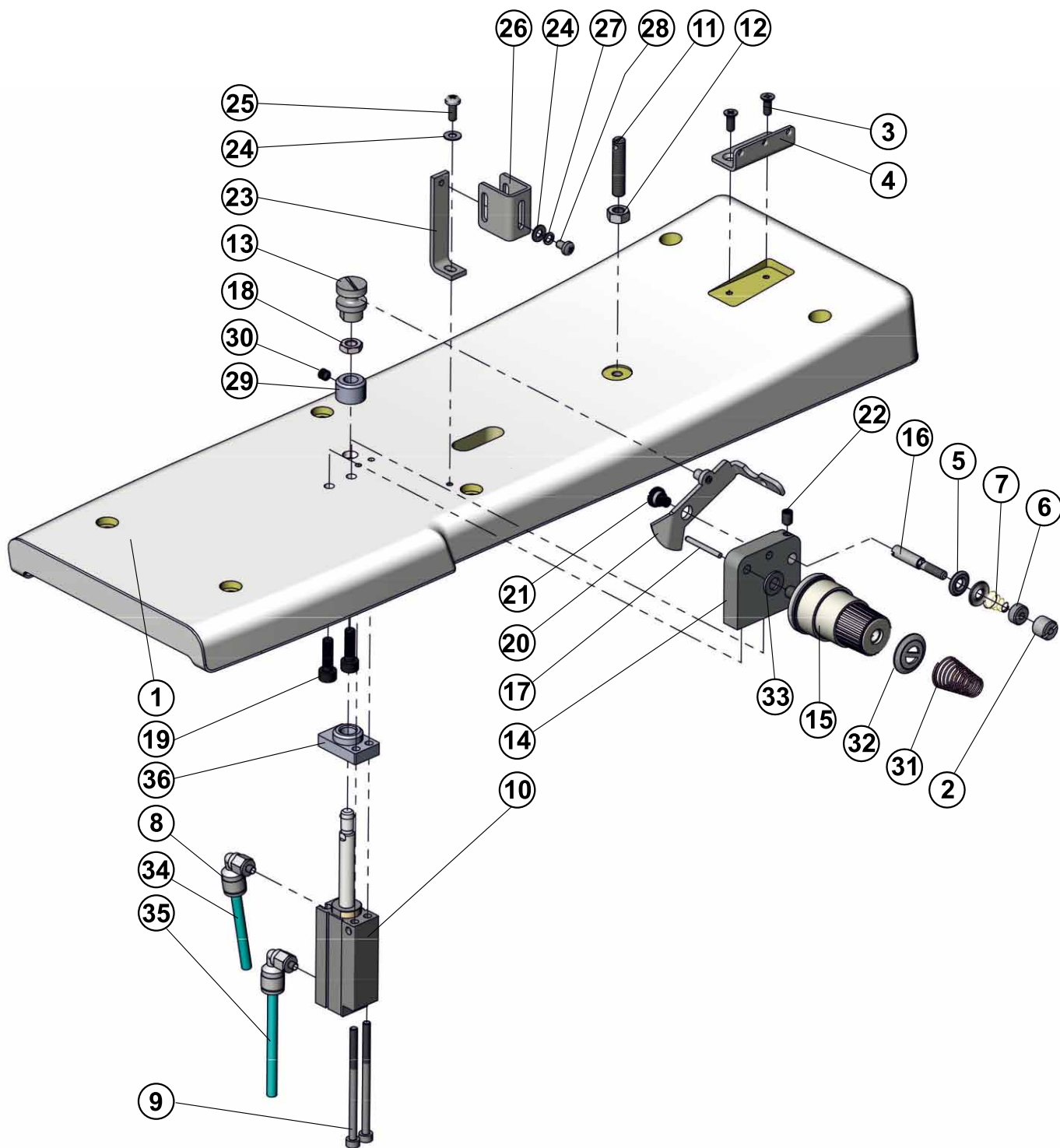
# BITE ASSEMBLY



● DRIVE BITE MECHANISM

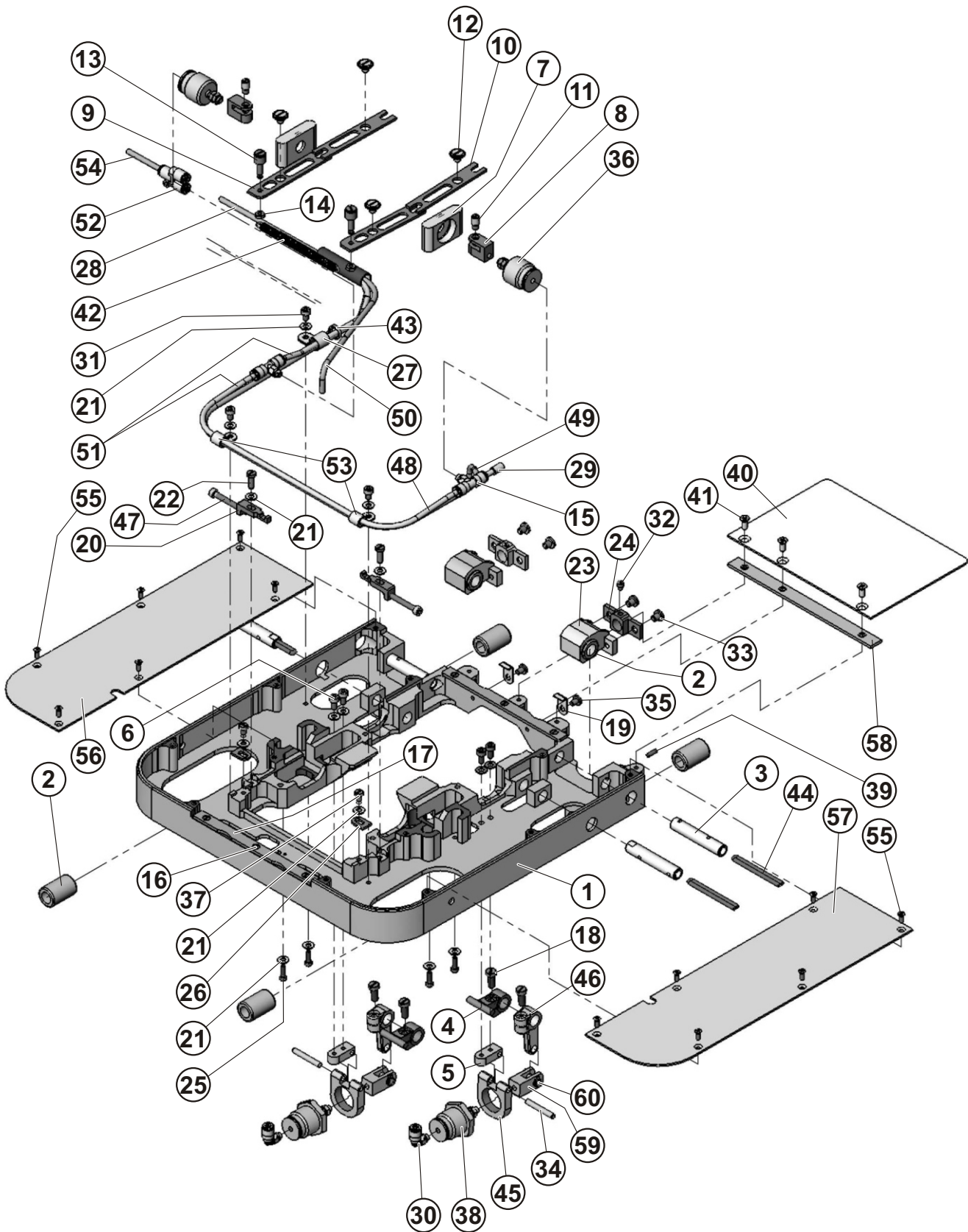


# TOP THREAD TENSION





# BEDPLATE ASSEMBLY

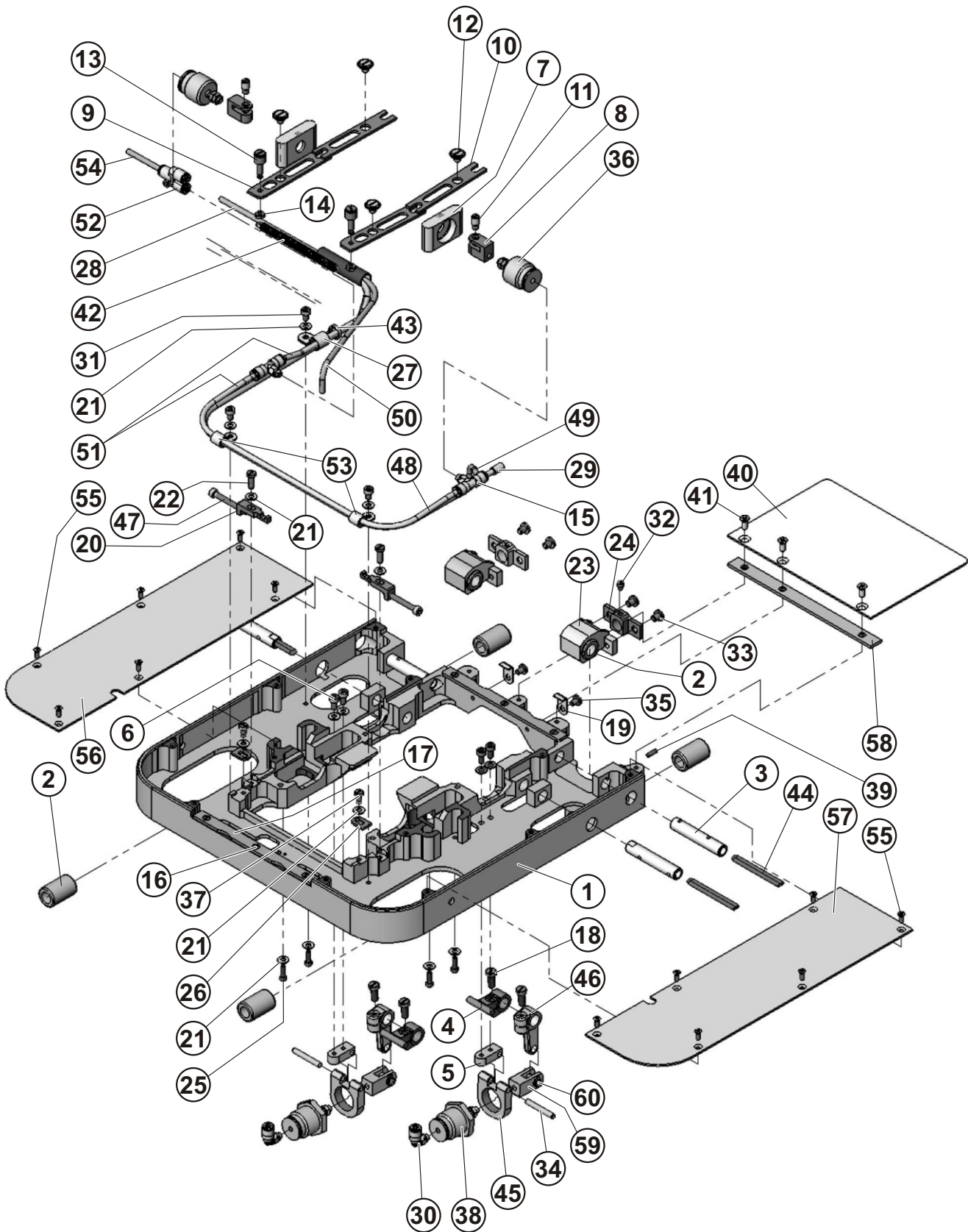




## BEDPLATE ASSEMBLY

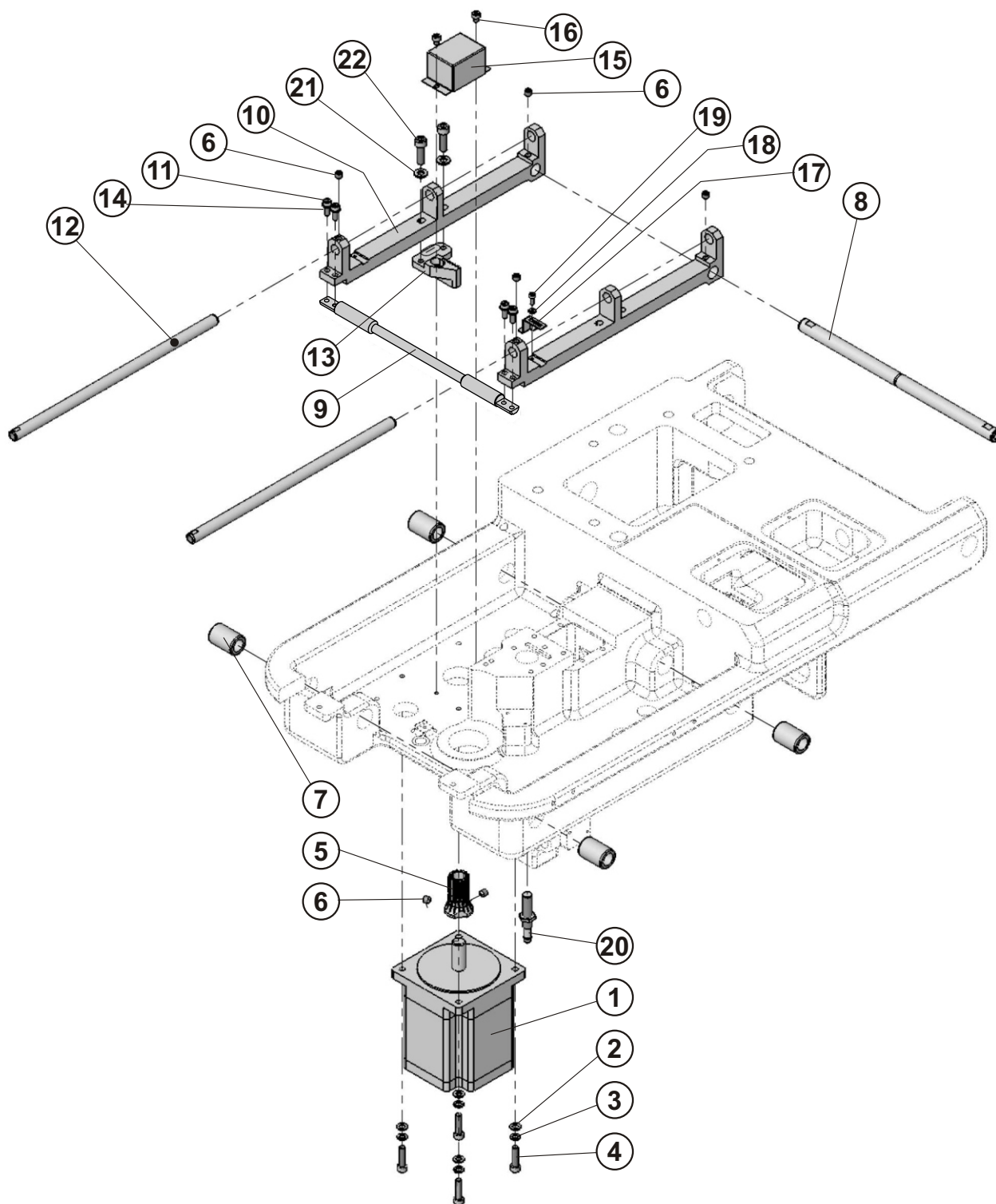
DET	PART NUMBER	DESCRIPTION	QTY.
01	15.2001.1.600	BEDPLATE ES-505	1
02	07.0000.0.024	BEARING	6
03	15.2010.0.300	SHAFT	4
04	19.0063.6.441	LEVER,CLAMP CONTROL	2
05	15.2019.0.600	CYLINDER BRACKET	2
06	08.6000.4.008	SCREW M4-8	4
07	15.2008.0.600	CYLINDER HOLDER	2
08	19.0064.8.409	KNUCKLE	2
09	15.2002.0.800	FORK LEVER , FRONT	2
10	15.2003.0.800	LEVER	2
11	19.0033.1.406	STUD	2
12	15.2022.0.100	SCREW	4
13	15.2004.0.300	SCREW SECURING	2
14	19.0016.1.402	NUT M4x0,5	2
15	12.0010.3.156	CONNECTOR	2
16	17.0012.6.110	SCREW M3-5	6
17	15.2005.0.800	CLAMP PLATE WASHER	2
18	08.6010.5.012	SCREW M5x12	4
19	15.2015.0.800	CLAMP PLATE HOLDER	2
20	15.2007.0.600	SLIDE ADJUST PLATE	2
21	08.6850.4.000	WASHER M4	15
22	17.0012.0.118	SCREW M4-12	2
23	15.2011.0.600	LINE PILLOW BLOCK	2
24	15.2012.0.600	SHAFT HOLDER	2
25	08.6000.3.010	SCREW M3-10	4
26	17.0081.5.047	STOP	2
27	07.6600.0.004	CLAMP CABLE	1
28	12.3011.0.010	SPRING	1
29	12.0008.3.426	PLUG	1
30	12.0010.3.028	CONNECTOR	2
31	08.6000.4.006	SCREW M4-6	3
32	17.0011.2.072	SCREW M5	2
33	08.6050.5.006	SCREW M5-6	4
34	12.1010.0.430	PIN 4x30	2
35	08.6050.4.006	SCREW M4-6	2
36	12.0008.3.841	CYLINDER	2
37	15.1428.0.100	SCREW M4-6	2
38	12.0008.3.841	CYLINDER	2
39	08.6400.4.010	SCREW M4-10	1
40	15.2016.1.800	COVER	1
41	15.1427.0.100	SCREW M4-10	3
42	15.2020.0.992	CABLE SLEEVE	1
43	12.0008.3.023	TY-WRAP	1
44	15.2021.0.991	OIL WICK	4
45	15.2013.0.600	CYLINDER HOLDER	2
46	15.2009.0.700	LEVER	2
47	08.6000.4.035	SCREW M4-35	2
48	12.0008.3.416	AIR TUBING- J2B1	1
49	12.0008.3.416	AIR TUBING- J1A1	1
50	12.0008.3.416	AIR TUBING- J1A2	1

# BEDPLATE ASSEMBLY





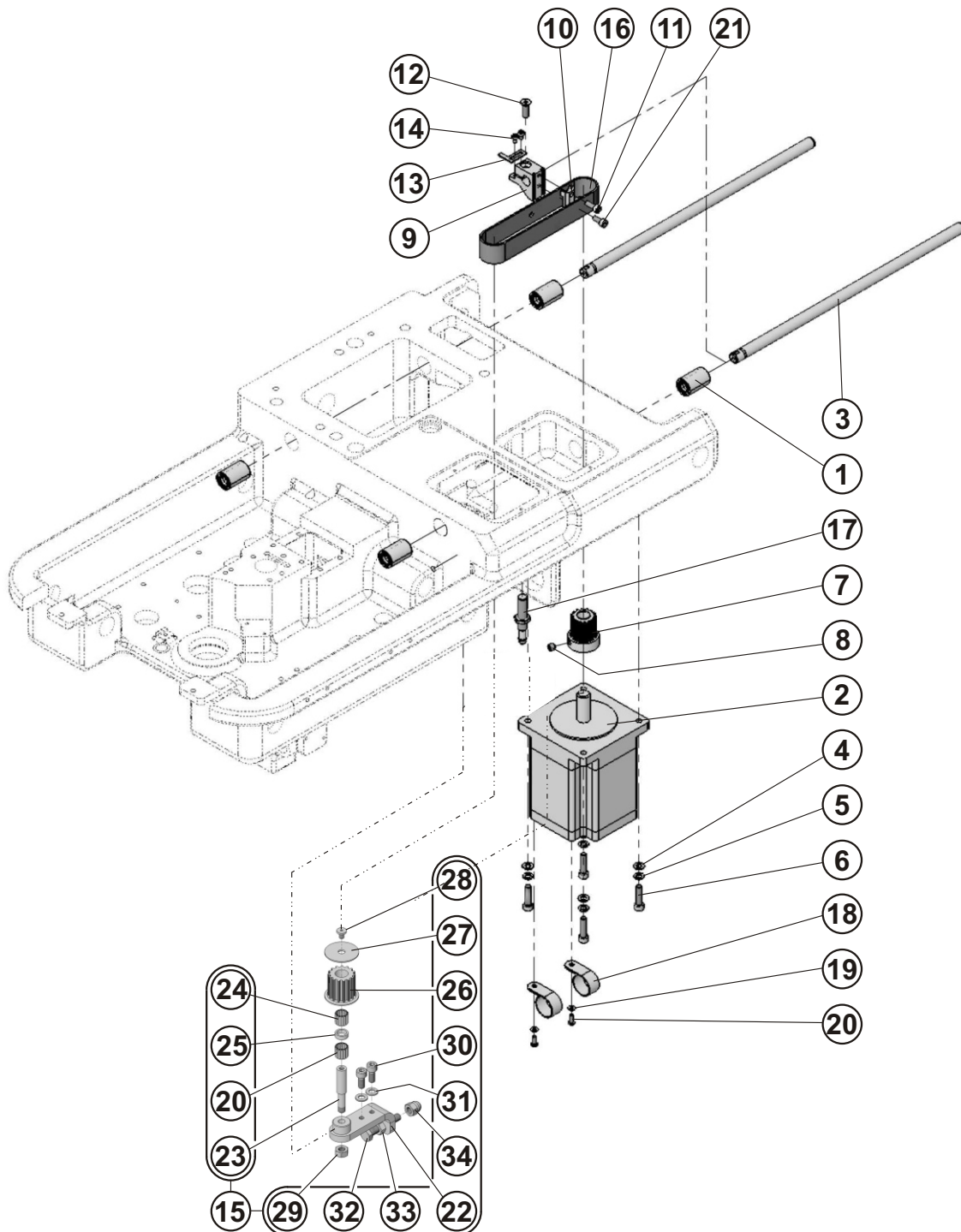
# X - AXIS MECHANISM



## X - AXIS MECHANISM

DET	PART NUMBER	DESCRIPTION	QTY.
01	19.0007.9.462	STEPPER MOTOR - ASSEMBLY	1
02	08.6850.5.000	WASHER 5,3	4
03	08.6800.5.000	SPRING WASHER M5	4
04	08.6000.5.020	SCREW M5-20	4
05	15.3031.0.500	GEAR	1
06	08.6400.6.006	SCREW M6-6	6
07	12.2070.0.004	BEARING	4
08	15.3030.0.300	SHAFT BACK - X AXIS	1
09	15.3002.0.300	SHAFT FRONT - X AXIS	1
10	15.3004.0.600	HOLDER SHAFT	2
11	08.6000.4.012	SCREW M4-12	4
12	15.3011.0.300	SHAFT - Y AXIS	2
13	15.3006.0.600	RACK	1
14	08.6850.4.000	WASHER M4	4
15	15.3017.0.800	COVER	1
16	08.6000.4.005	SCREW M4-5	2
17	15.3029.0.800	SENSOR PLATE - X AXIS	1
18	08.6850.3.000	WASHER 3,2	1
19	08.6000.3.008	SCREW M3-8	1
20	12.0010.4.025	SENSOR	1
21	08.6850.6.000	WASHER 6,4	2
22	08.6000.6.020	SCREW M6-20	2

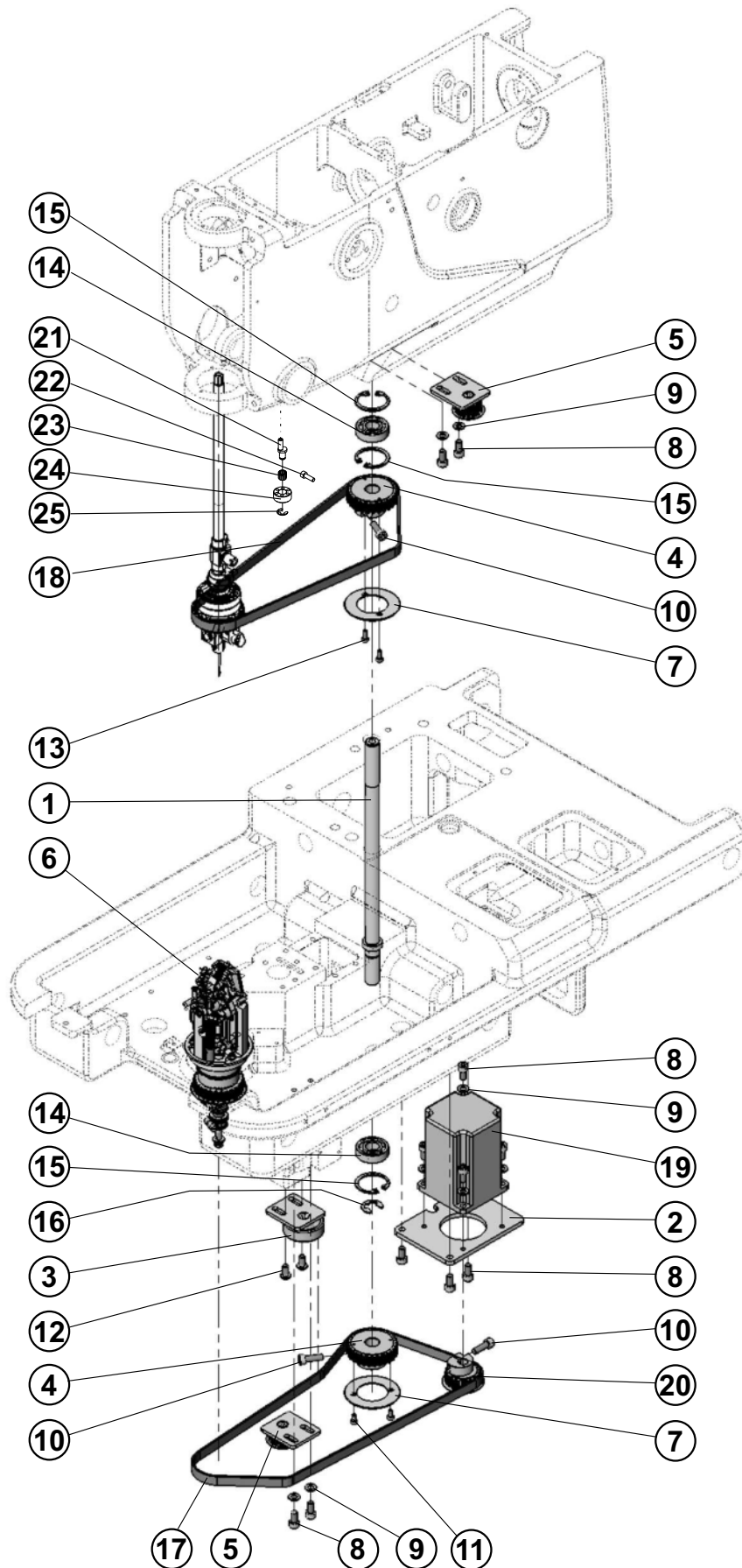
# Y - AXIS MECHANISM



## Y - AXIS MECHANISM

DET	PART NUMBER	DESCRIPTION	QTY.
01	07.0000.0.024	BEARING LBBR10-2LS	4
02	06.1500.0.022	STEPPER MOTOR ASSEMBLY- Y AXIS	1
03	15.3010.0.300	SHAFT 10h6	2
04	08.6850.5.000	WASHER 5,3	4
05	08.6800.5.000	SPRING WASHER M5	4
06	08.6000.5.020	SCREW M5-20	4
07	15.3034.0.500	MOTOR GEAR	1
08	08.6400.6.006	SCREW M6-6	2
09	15.3013.0.600	SHAFT HOLDER- Y AXIS	1
10	15.3014.0.600	BELT CLAMP-Y AXIS	1
11	08.6000.4.012	SCREW M4-12	1
12	08.6100.5.016	SCREW M5-16	1
13	15.3015.0.800	SENSOR PLATE- Y AXIS	1
14	08.6000.3.005	SCREW M3-5	2
15	15.3012.0.050	TENSION PULLEY-ASSEMBLY	1
16	15.3005.0.000	BELT	1
17	12.0010.4.025	SENSOR	1
18	12.0008.4.100	CLAMP	2
19	08.6852.3.000	WASHER M3	2
20	08.6032.3.008	SCREW M3-8	2
21	08.6000.4.010	SCREW M4-10	1
22	15.3012.0.800	TENSION PULLEY BRACKET	(1)
23	19.0033.5.403	SHAFT	(1)
24	12.2050.0.007	BEARING	(2)
25	19.0041.0.675	DISTANCE WASHER	(1)
26	15.3033.0.500	GEAR	(1)
27	19.0019.0.685	WASHER 4/24-1,5	(1)
28	08.6050.4.006	SCREW M4-6	(1)
29	08.6700.6.300	NUT M6x0,75	(1)
30	08.6000.5.012	SCREW M5-12	(2)
31	08.6850.5.000	WASHER 5,3	(2)
32	08.6310.6.035	SCREW M6-35	(1)
33	08.6700.6.000	NUT M6	(1)
34	08.6722.6.000	NUT M6	(1)

# R - AXIS MECHANISM

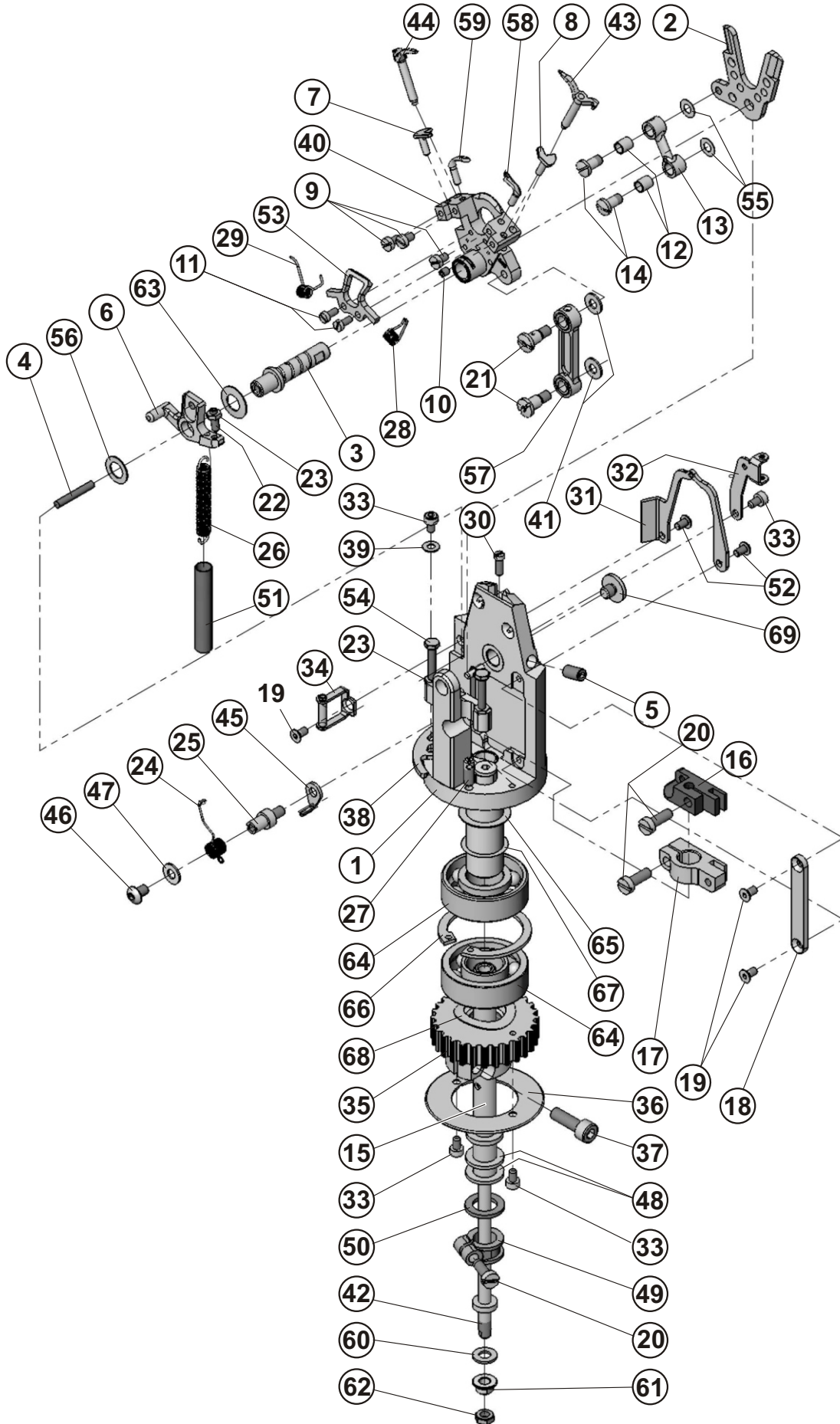




## R - AXIS MECHANISM

DET	PART NUMBER	DESCRIPTION	QTY.
01	15.3019.0.300	SHAFT - R AXIS	1
02	15.3021.0.800	MOTOR BRACKET	1
03	15.3022.0.050	TENSION PULLEY	1
04	15.3035.0.500	R-AXIS GEAR	2
05	15.4011.0.050	TIMING PULLEY	2
06	15.4500.0.050	RACE ASSEMBLY	1
07	19.0019.0.682	WASHER	2
08	08.6000.5.010	SCREW M5-10	11
09	08.6850.5.000	WASHER 5,3	8
10	08.6000.5.016	SCREW M5-16	3
11	08.6000.3.006	SCREW M3-6	2
12	08.6050.5.010	SCREW M5-10	2
13	08.6000.3.008	SCREW M3-8	2
14	12.2010.0.011	BEARING	2
15	12.1040.1.002	RETANING RING 28	3
16	12.1045.0.009	E-CLIP 9	1
17	12.5050.2.021	BELT 700-GT3 5MGT-09 OIL RESISTANT	1
18	12.5050.2.019	BELT 600-GT3 5MGT-09	1
19	06.1500.0.023	STEPPER MOTOR ASSEMBLY - R AXIS	1
20	15.3020.1.500	R-AXIS MOTOR GEAR	1
21	15.4023.0.300	SHAFT,TENSION PULLEY	1
22	08.6000.5.016	SCREW M5-16	3
23	12.2050.0.007	BEARING	1
24	19.0041.0.696	ROLL	1
25	17.0027.4.085	LOCK RING 7	1

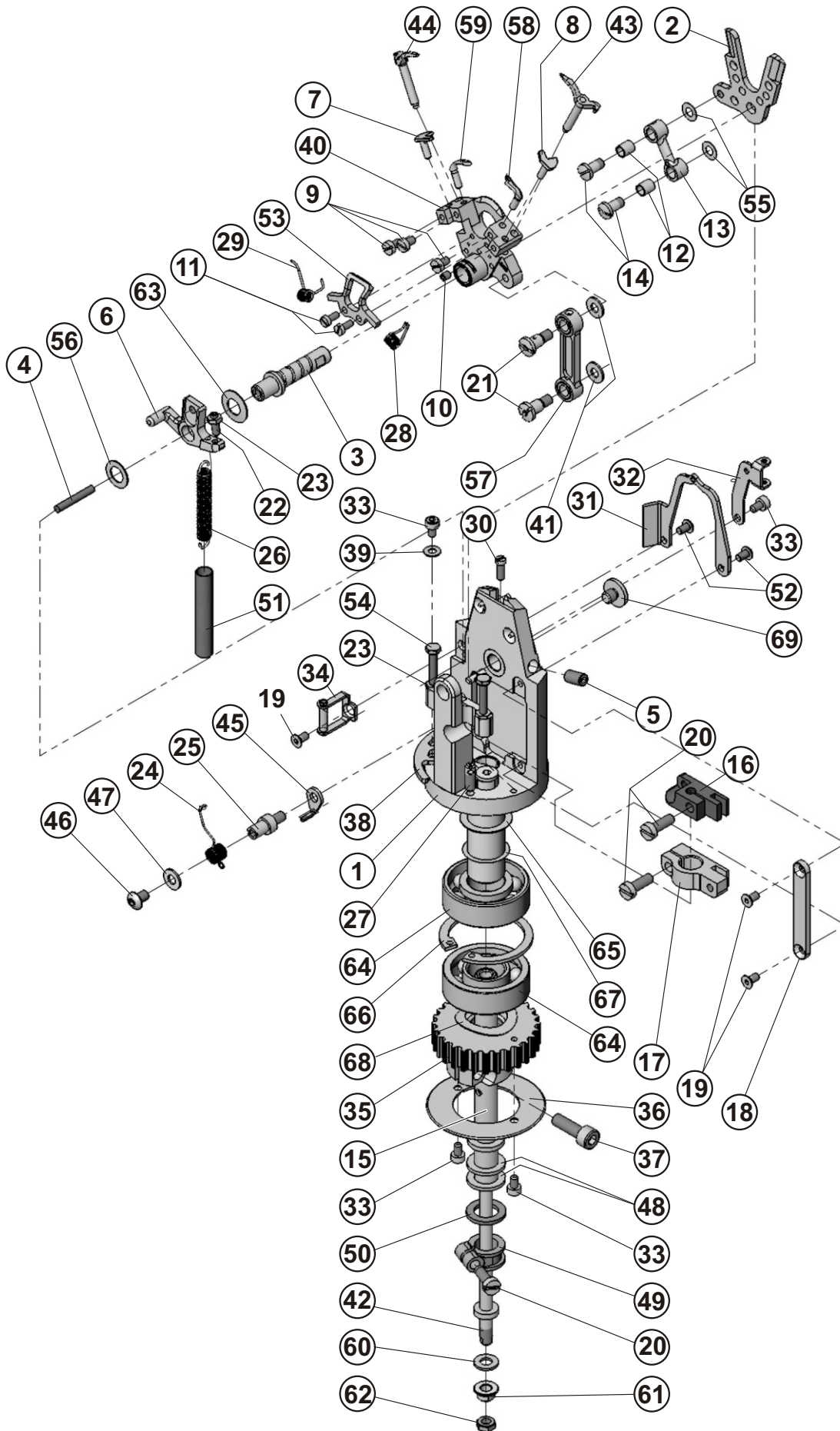
# RACE ASSEMBLY



## RACE ASSEMBLY

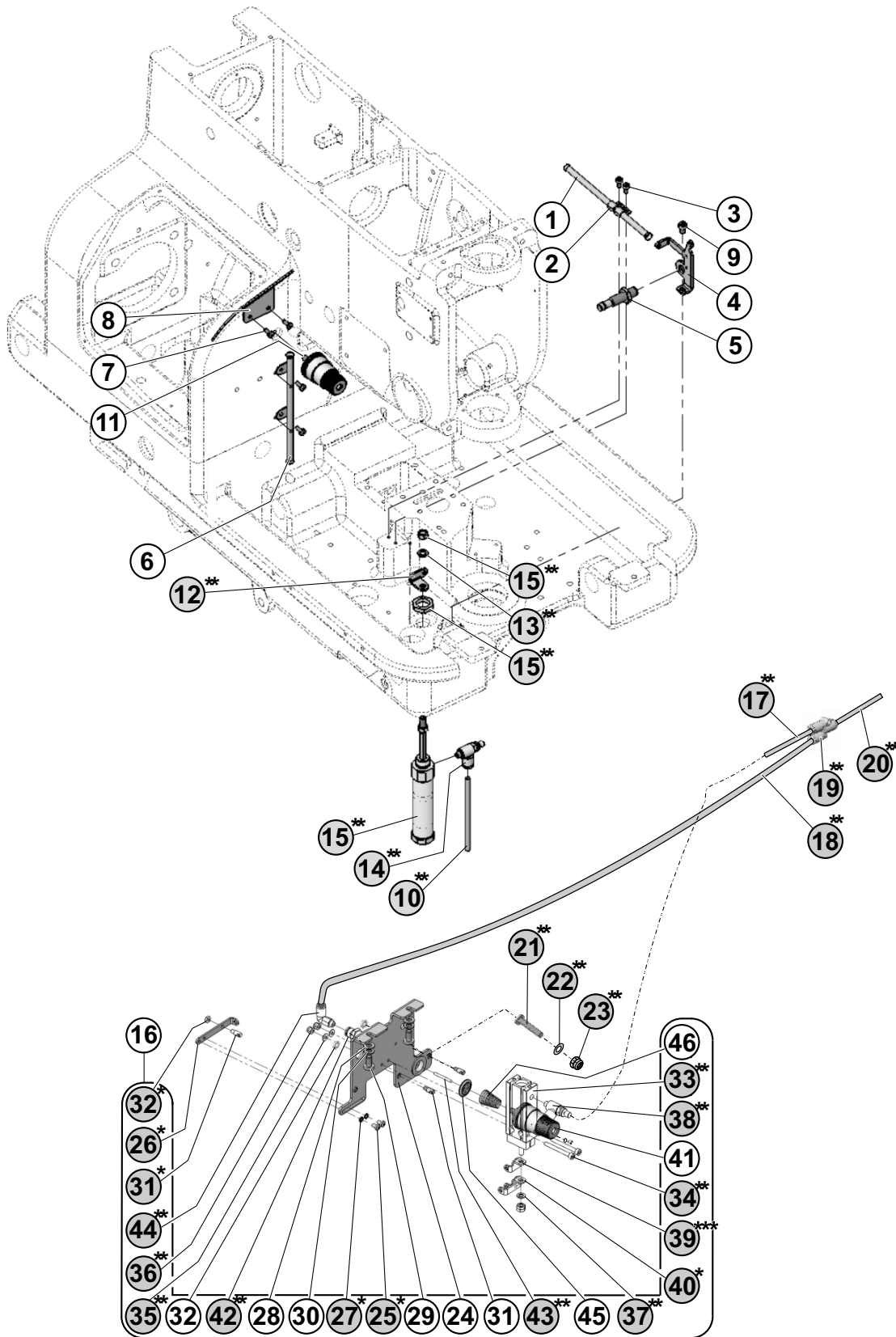
DET	PART NUMBER	DESCRIPTION	QTY.
01	15.4500.1.000	RACE ASSEMBLY	1
02	15.4501.3.800	SPREADER WEDGE	1
03	15.4502.0.400	LOOPER CARRIER STUD	1
04	15.4503.0.991	OIL WICK	1
05	08.6400.5.008	SCREW M5-8	1
06	15.4504.0.700	KNIFE HOLDER	1
07	19.0033.8.407	SPREADER STOP LH	1
08	19.0033.8.408	SPREADER STOP RH	1
09	17.0012.0.117	SCREW M3-5	3
10	15.4548.0.100	SCREW M3-4	1
11	17.0012.0.404	SCREW	2
12	15.4555.0.400	BUSHING	2
13	15.4506.0.700	SPREADER LINK	1
14	15.4549.0.100	SCREW	2
15	15.4507.0.400	SHAFT LOOPER DRIVE	1
16	15.4509.0.600	CLAMP	1
17	15.4510.0.600	LOOPER CLAMP SHAFT	1
18	15.4512.0.800	GUIDE	1
19	08.6100.3.006	SCREW M3-6	3
20	17.0012.0.118	SCREW M4-12	3
21	15.4514.0.050	LOOPER CARRIER STUD	2
22	08.6400.3.010	SCREW M3-10	1
23	08.6710.3.000	NUT M3	3
24	15.4519.0.200	SPRING	1
25	15.4520.0.300	STUD	1
26	12.3011.0.011	SPRING	1
27	15.4521.0.300	STUD	1
28	15.4530.0.200	SPRING TORSION - RH	1
29	15.4531.0.200	SPRING - TORSION LH	1
30	17.0012.2.400	SCREW	1
31	15.4522.0.800	GIMP THREAD GUIDE	1
32	15.4523.0.800	GIMP THREAD GUIDE	1
33	08.6000.3.005	SCREW M3-5	4
34	15.4525.0.000	LOWER THREAD GUIDE	1
35	15.3036.1.500	GEAR, TIMING BELT	1
36	19.0019.0.682	WASHER	1
37	08.6000.5.016	SCREW M5-16	1
38	15.4526.0.800	SENSOR PLATE - R AXIS	1
39	08.6852.3.000	WASHER M3	1
40	15.4505.0.600	CARRIER LOOPER	1
41	17.0019.1.088	WASHER	2
42	15.4508.0.400	SHAFT	1
43	17.0004.9.894	SPREADER RIGHT	1
44	17.0004.9.895	SPREADER LEFT	1
45	15.4532.0.800	PLATE	1
46	08.6200.4.006	SCREW M4-6	1
47	08.6850.4.000	WASHER M4	1
48	19.0019.0.686	WASHER	2
49	19.0043.6.441	CLAMP	1
50	15.4537.0.990	RUBBER WASHER	1

# RACE ASSEMBLY





# TAKE - UP LOWER AND GIMP



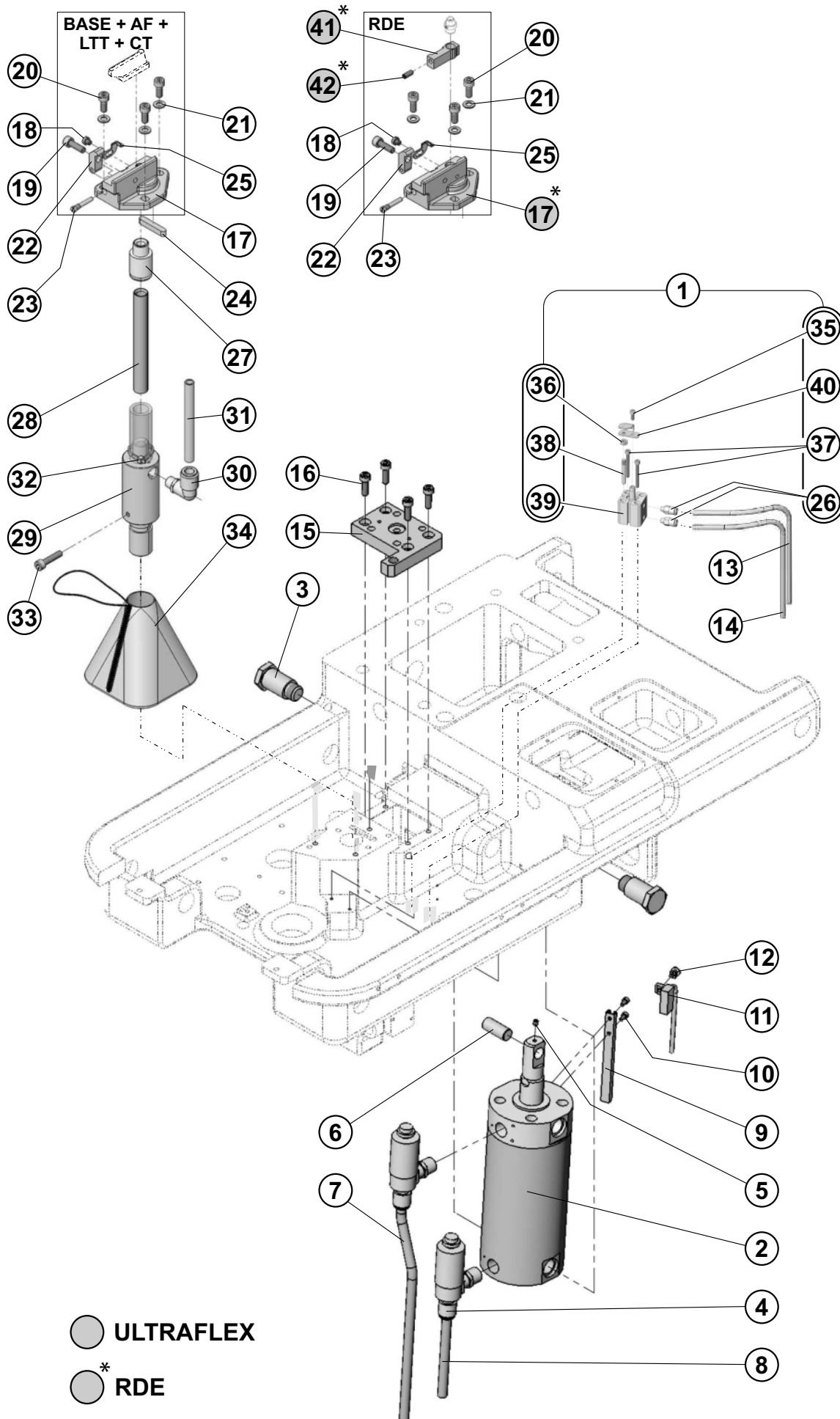
- AF
- \* LTT
- \*\* CT + LTT
- \*\*\* CT

## TAKE - UP LOWER AND GIMP

DET	PART NUMBER	DESCRIPTION	QTY.
1	15.3210.0.400	GIMP GUIDE	1
2	15.3205.0.800	CLAMP	2
3	08.6000.3.006	SCREW M3-6	2
4	15.3212.1.800	GIMP HOLDER	1
5	12.0010.4.093	SENSOR BQ 10	1
6	15.3210.0.000	GIMP THREAD GUIDE	1
7	15.1425.0.100	SCREW M3-8	4
8	15.1307.0.800	THREAD GUIDE	1
9	08.6000.4.006	SCREW M4-6	1
10**	12.0008.3.416	AIR TUBE - J6B	1
11	24.0119.0.050	TENSION DISC ASSEMBLY	1
12**	15.3230.1.800	GIMP GUIDE	1
13**	08.6800.5.000	SPRING WASHER M5	1
14**	12.0010.3.113	SPEED CONTROLLER	1
15**	12.0010.3.033	CYLINDER	1
16	15.3200.2.050	TAKÉ-UP LOWER THRD. ASSEMBLY	1
17**	12.0008.3.416	AIR TUBE - J5A2	1
18**	12.0008.3.416	AIR TUBE - J5A1	1
19**	12.0010.3.037	CONNECTOR	1
20**	12.0008.3.416	AIR TUBE - J5A	1
21**	08.6032.3.016	SCREW M3-16	1
22**	08.6852.3.000	WASHER M3	1
23**	08.6733.3.000	NUT M3	1
24	15.3200.2.000	HOLDER	(1)
25*	15.1422.0.100	SCREW M3-5	(2)
26*	15.3202.0.800	LOWER THREAD GUIDE	(1)
27*	08.6802.3.000	SPRING WASHER M3	(2)
28	08.6852.5.000	WASHER 5,3	(2)
29	15.1429.0.100	SCREW M5-10	(2)
30	08.6802.5.000	SPRING WASHER M5	(2)
31	15.3217.0.100	THREAD GUIDE	(2)
31*	15.3217.0.100	THREAD GUIDE	(3)
32	08.6712.3.000	NUT M3	(2)
32*	08.6712.3.000	NUT M3	(3)
33**	12.0010.3.001	CYLINDER	(1)
34**	08.6002.3.030	SCREW M3-30	(2)
35**	08.6852.3.000	WASHER M3	(2)
36**	08.6733.3.000	NUT M3	(2)
37**	08.6802.4.000	SPRING WASHER M4	(1)
38**	12.0010.3.113	SPEED CONTROLLER	(1)
39***	15.3201.1.800	TAKE-UP LEVER CT	(1)
40*	15.3220.0.000	TAKE-UP LEVER LTT	(1)
41	24.0119.0.050	TENSION DISC ASSEMBLY	(1)
42**	12.0008.3.413	CYLINDER	(1)
43**	15.3206.0.300	PIN 2x21	(1)
44**	12.0010.3.028	CONNECTOR	(1)
45	17.0082.8.082	TENSION DISC	(1)
46	17.0026.2.078	SPRING	(1)

	AF
*	LTT
**	CT+LTT
***	CT

# TRIMMING AND CUTTING - BASE





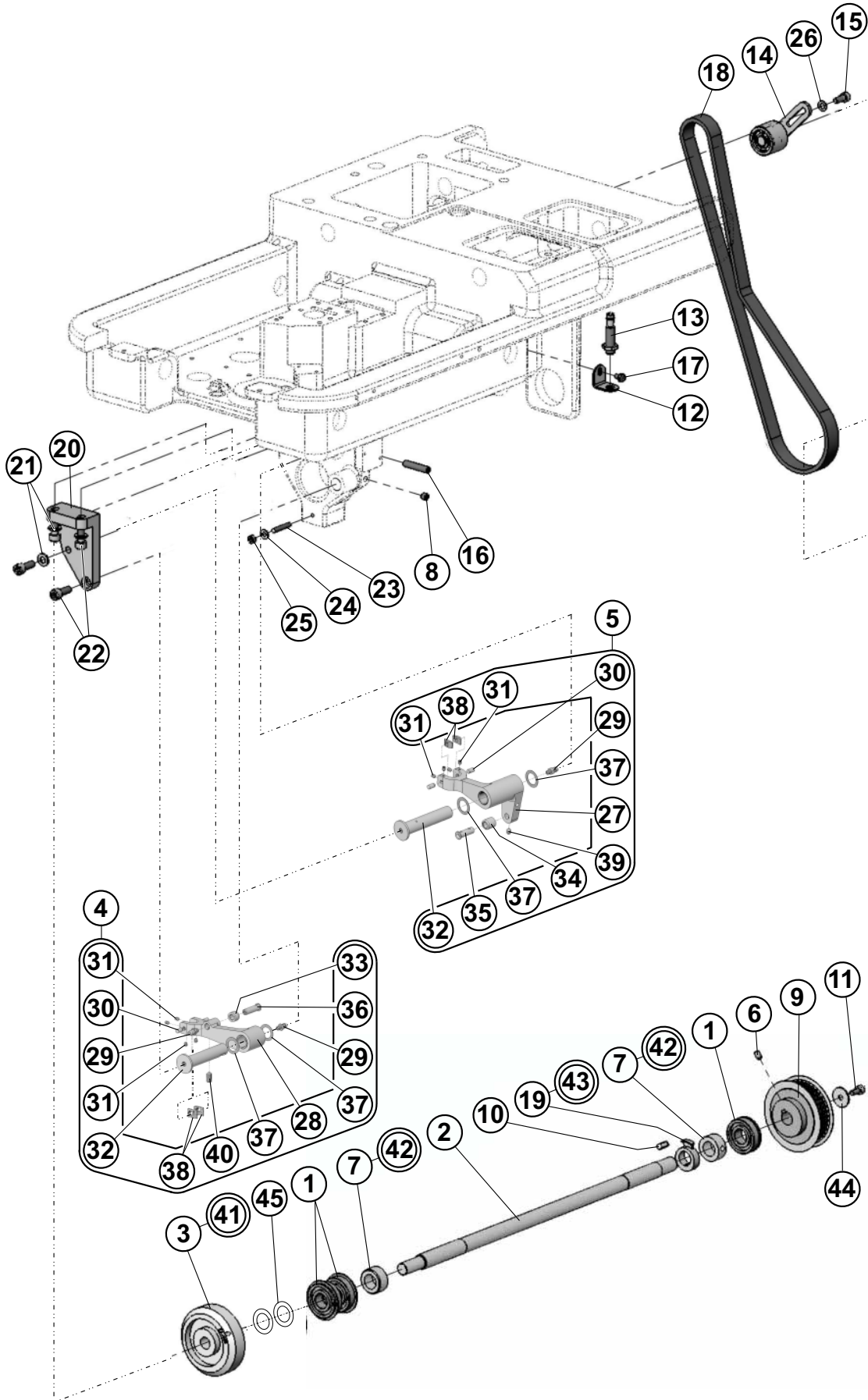
## TRIMMING AND CUTTING - BASE

DET	PART NUMBER	DESCRIPTION	QTY.
01	15.3016.0.050	UPPER THREAD TRIMM - ASSEMBLY	1
02	15.7001.0.000	CYLINDER	1
03	19.0014.3.405	PIVOT	2
04	12.0008.3.820	EXHAUST SPEED CONTR.	2
05	08.6400.4.004	SCREW M4-4	1
06	15.5021.0.300	STUD	1
07	12.0008.3.431	AIR TUBING- J15B	1
08	12.0008.3.431	AIR TUBING- J15A	1
09	15.7002.0.000	LATH	1
10	08.6000.3.006	SCREW M3-6	2
11	12.0008.3.745	SENSOR	1
12	12.0008.3.747	SCREW	1
13	12.0008.3.431	AIR TUBING- J8A	1
14	12.0008.3.431	AIR TUBING- J8B	1
15	15.3008.1.600	MOTOR BRACKET	1
16	08.6000.5.016	SCREW M5-16	4
17	15.5015.0.700	CUTTING BLOCK	1
17*	15.5023.0.700	CUTTING BLOCK RDE	1
18	17.0012.0.571	SCREW	1
19	08.6000.5.016	SCREW M5-16	1
20	08.6000.5.012	SCREW M5-12	3
21	08.6850.5.000	WASHER 5,3	3
22	19.0063.6.445	KNIFE CLAMP	1
23	17.0013.1.415	SCREW	1
24	17.0021.1.073	KEY	1
25	15.5019.0.800	CLAMP	1
26	12.0010.3.027	CONNECTOR	(2)
27	15.5027.0.300	CONNECTOR	(1)
28	19.0094.2.418	AIR TUBING - SUCTION	1
29	19.0008.3.415	VACUUM UNIT	1
30	12.0010.3.106	CONNECTOR	1
31	12.0008.3.431	AIR TUBING- J16A1	1
32	12.0008.3.023	TY-WRAP	1
33	08.6000.5.022	SCREW M5-22	1
34	12.0008.6.977	BAG	1
35	08.6000.3.008	SCREW M3-8	(1)
36	08.6700.4.000	NUT	(1)
37	08.6000.3.030	SCREW M3-30	(2)
38	15.3025.0.300	GUIDE PIN	(1)
39	12.0008.3.816	CYLINDER	(1)
40	15.3016.0.800	CLEVIS ACTUATOR	(1)
41*	15.5022.0.600	ADAPTER KNIFE RDE	1
42*	08.6400.4.010	SCREW TUBING 19x3	1

ULTRAFLEX

\* RDE

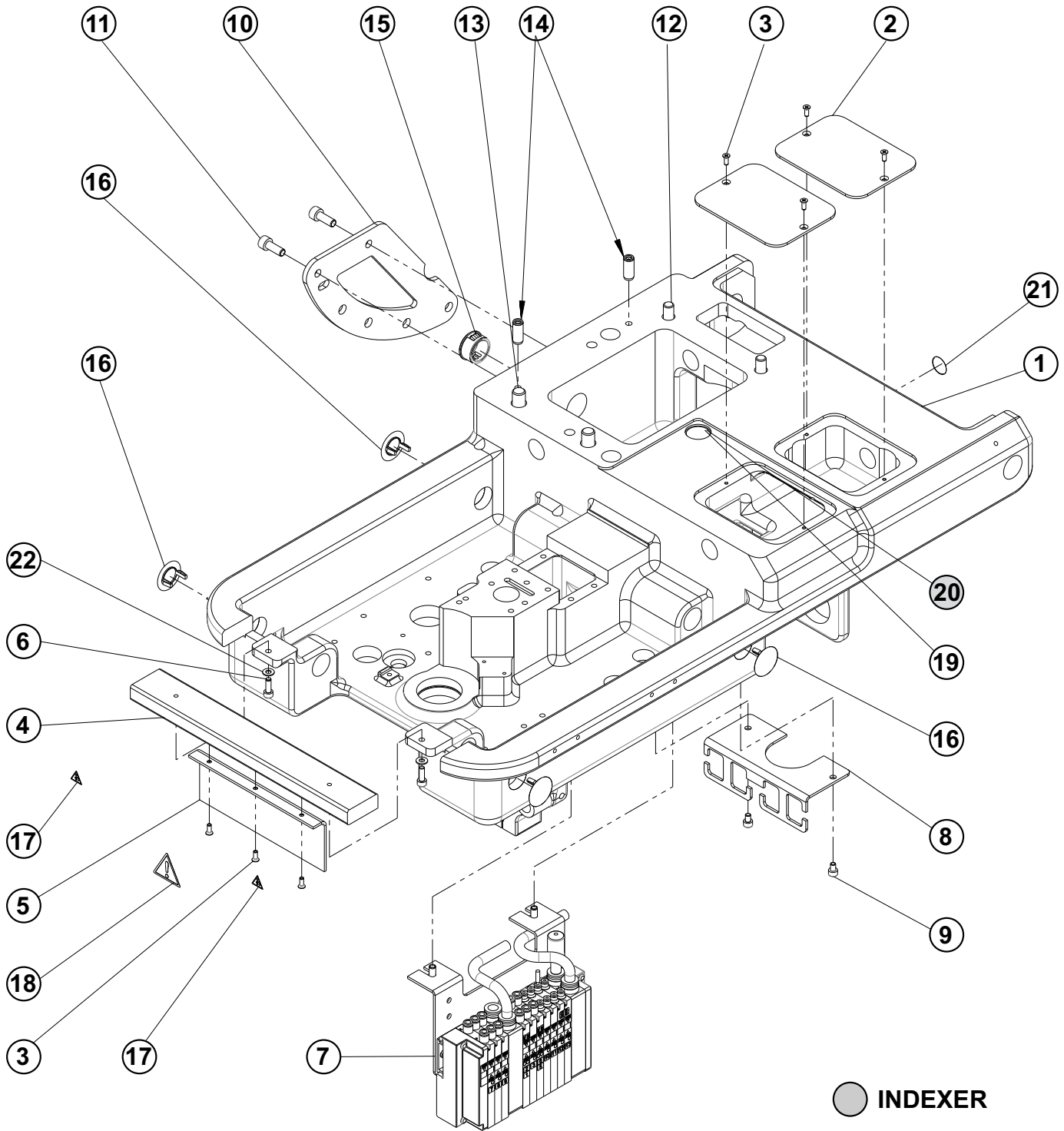
# MAIN SHAFT - BASE



## MAIN SHAFT - BASE

DET	PART NUMBER	DESCRIPTION	QTY.
01	01.7805.0.000	BEARING	3
02	15.4601.0.300	SHAFT	1
03	15.4602.3.400	STICH CAM	1
04	15.4605.0.050	LEVER SPREADER - ASSEMBLY	1
05	15.4606.0.050	LEVER LOOPER - ASSEMBLY	1
06	08.6400.5.008	SCREW M5-8	1
07	12.1050.0.001	CLAMP COLLAR 15	2
08	08.6400.6.006	SCREW M6-6	1
09	15.4604.0.500	MAIN SHAFT DRIVE PULLEY	1
10	12.4030.0.514	KEY 5e9x5x14	1
11	08.6000.5.010	SCREW M5-10	1
12	15.4615.0.800	SENSOR BRACKET	1
13	12.0010.4.093	SENSOR BQ 10	1
14	15.1128.0.050	TENSION PULLEY	1
15	08.6000.5.012	SCREW M5-10	1
16	08.6400.6.030	SSCREW M6-30	1
17	08.6310.4.006	SCREW M4-6	1
18	12.5050.2.028	BELT	1
19	15.4410.0.400	SENSOR RING	1
20	15.4614.0.600	BRACKET	1
21	08.6850.6.000	WASHER 6,4	3
22	08.6000.6.016	SCREW M6-16	4
23	08.6420.4.025	SCREW M4-25	1
24	08.6850.4.000	WASHER M4	1
25	08.6700.4.000	NUT M4	1
26	08.6850.5.000	WASHER 5,3	1
27	15.4606.0.600	LEVER LOOPER	(1)
28	15.4608.0.300	LEVER SPREADER	(1)
29	19.0044.1.623	NIPLE LUBRICATING M4	(1)+(2)
30	12.1010.2.027	PIN 4m6-8	(2)+(2)
31	08.6400.3.004	SCREW m3-4	(4)+(4)
32	15.4607.0.300	LEVER CAM STUD	(1)+(1)
33	15.4610.0.400	LOOPER ROLL 00	(1)
	Its Possible Order		
	15.4611.0.400	ROLL 05	
	15.4612.0.400	ROLL 10	
	15.4613.0.400	ROLL 15	
34	15.4616.0.400	LOOPER ROLL 00	(1)
	Its Possible Order		
	15.4617.0.400	LOOPER ROLL 05	
	15.4618.0.400	LOOPER ROLL 10	
	15.4619.0.400	LOOPER ROLL 15	
35	15.4609.0.300	LOOPER LEVER STUD	(1)
36	15.4608.0.300	SPREADER LEVER STUD	(1)
37	17.0019.0.602	WASHER	(2)+(2)
38	15.4543.0.600	SLIDE BLOCK	(2)+(2)
39	08.6400.4.005	SCREW	(1)
40	08.6400.5.008	SCREW	(1)
41	08.6000.5.016	SCREW M5-16	(1)
42	08.6400.6.006	SCREW M6-6	(1)+(1)
43	08.6400.5.305	SCREW M5-5	(1)
44	15.1146.0.400	WASHER	1
45	15.4017.0.800	WASHER	2

# COVERS BASE

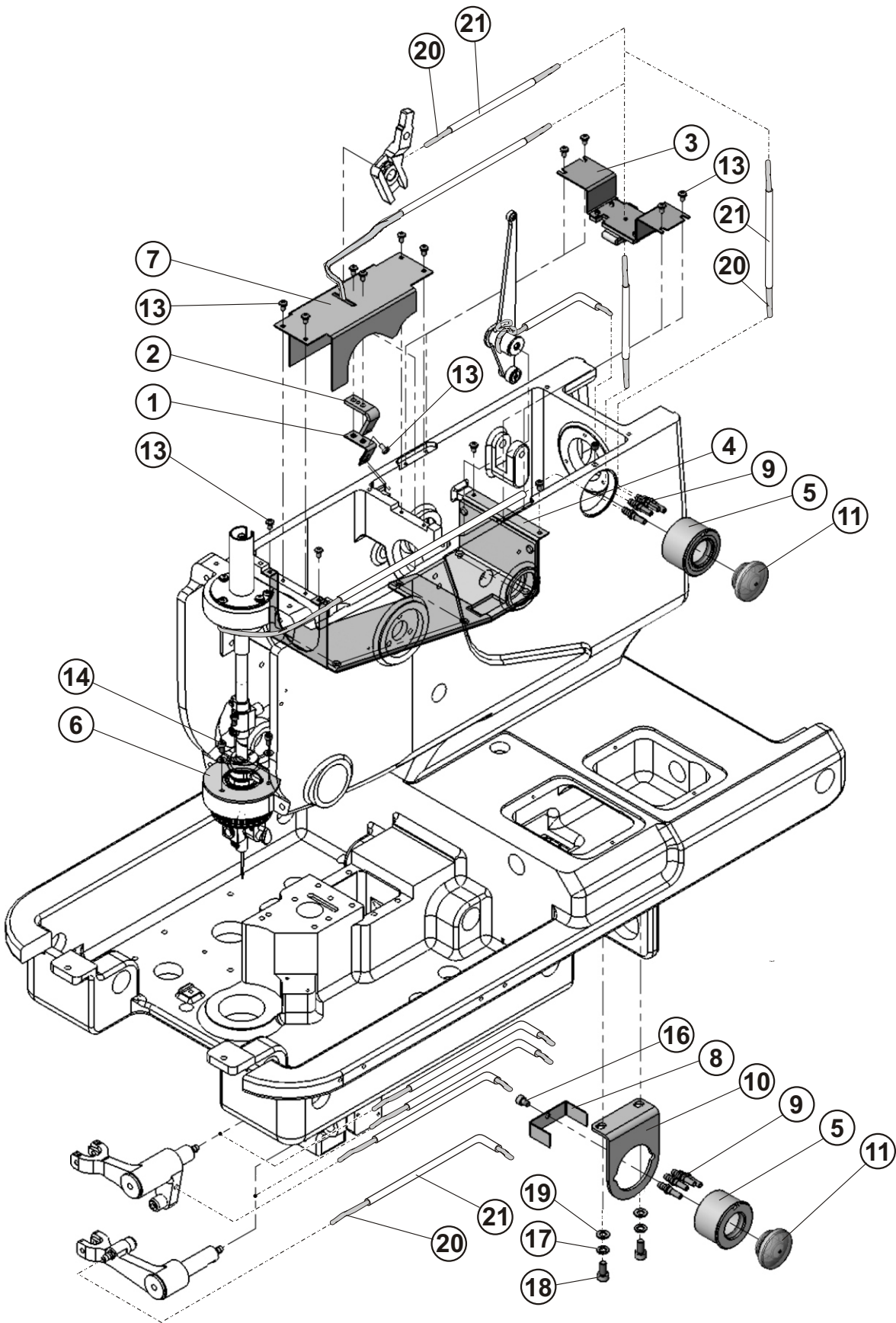


## COVERS BASE

DET	PART NUMBER	DESCRIPTION	QTY.
01	15.3001.1.700	BASE ES-505	1
02	15.3018.0.800	COVER - Y AXIS	2
03	15.1420.0.100	SCREW M3-8	7
04	15.3032.0.600	HOLDER COVER	1
05	15.3037.0.800	COVER	1
06	08.6002.4.012	SCREW M4-12	2
07	15.7001.0.052	VALVE BLOCK ASSY.	1
08	15.3040.0.800	HOLDER	1
09	08.6000.4.006	SCREW M4-6	2
10	15.3043.0.800	LOCK	1
11	08.6000.6.016	SCREW M6-16	2
12	08.6000.8.090	SCREW M8-90	2
13	08.6000.0.090	SCREW M10-90	2
14	12.1010.3.001	PIN 8m-20	2
15	12.0010.4.005	PLUG SNAP	1
16	12.0008.4.777	PLUG 18,4-20,6	4
17	12.8000.0.437	LABEL-DANGER INJURY	2
18	17.0097.5.174	LABEL- WARNING	1
19	12.0010.6.901	PLUG 15,9	1
20	12.0008.4.222	BUSHING SNAP	1
21	12.0008.4.052	LABEL GROUND	1
22	08.6852.4.000	WASHER M4	2

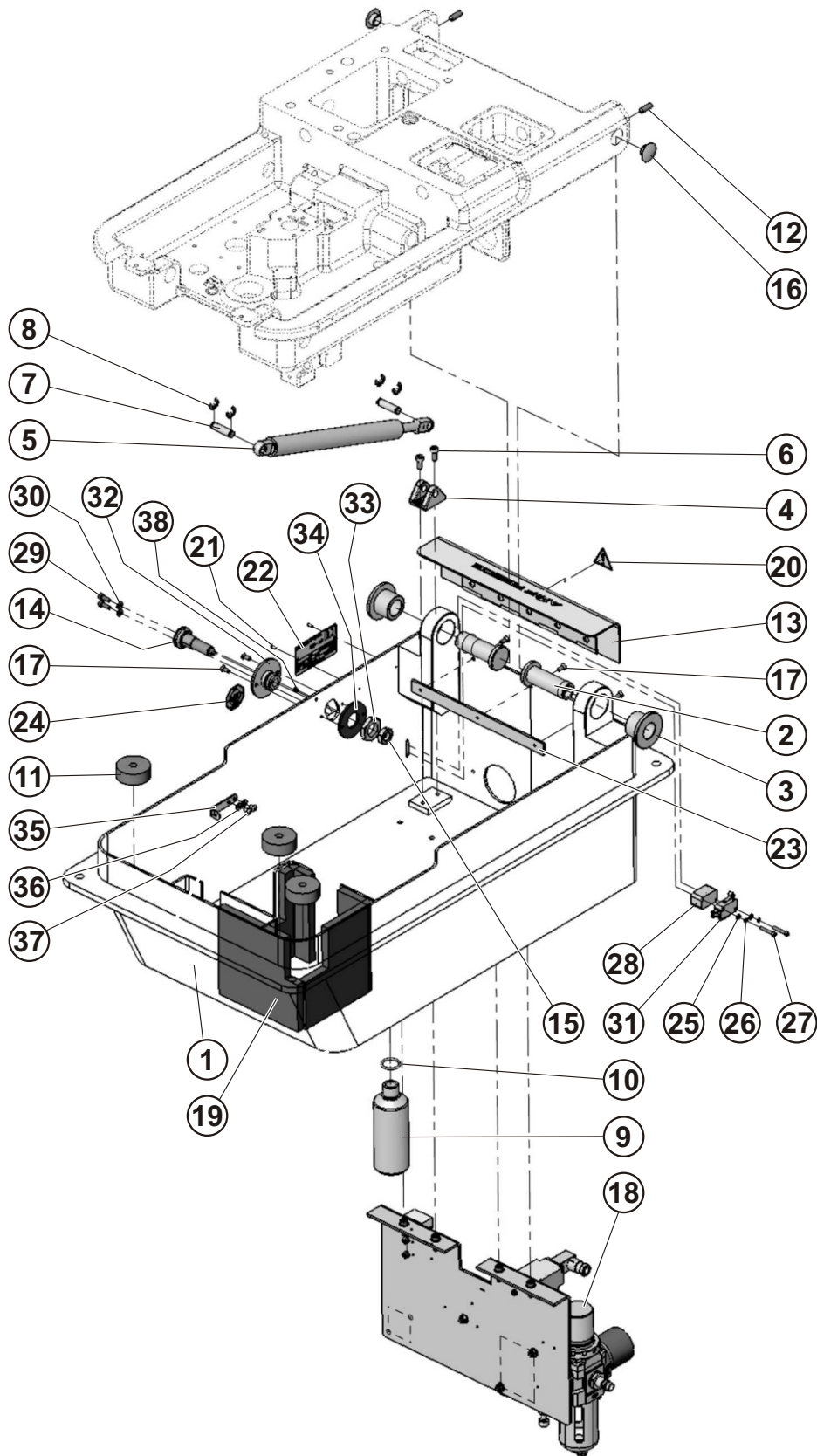
INDEXER

# LUBRICATION





# CASE - ASSEMBLY



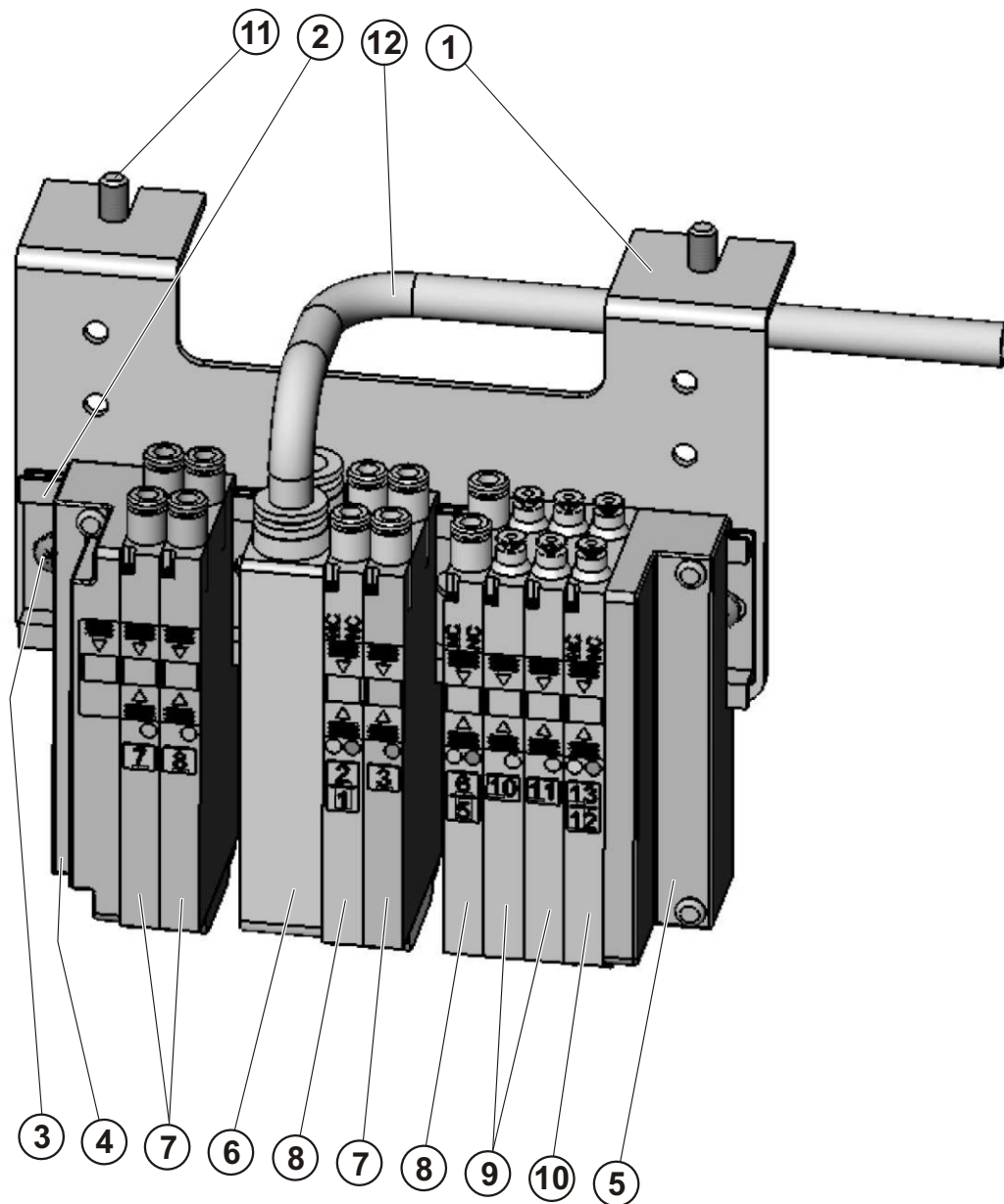






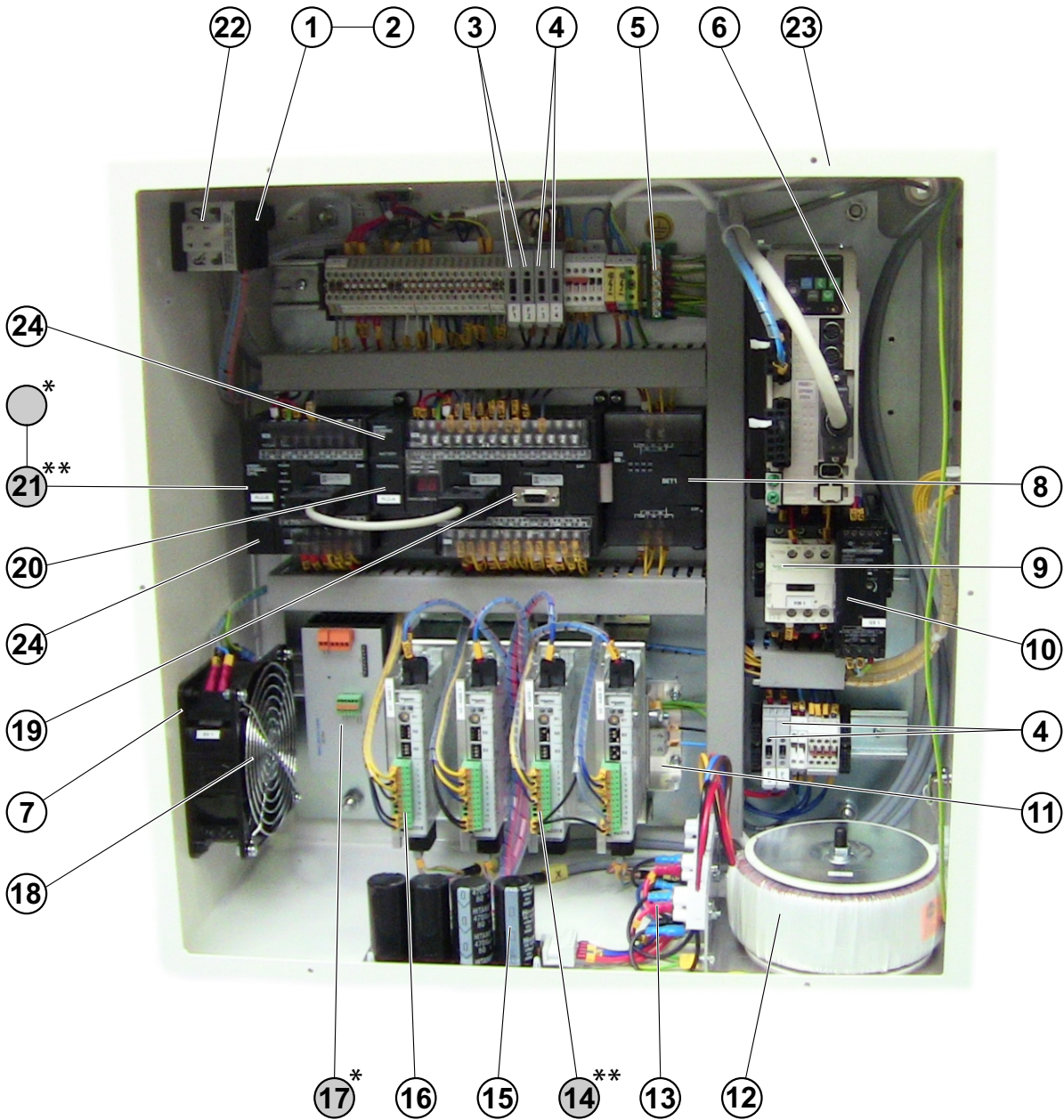


# VALVE BLOCK





# ELECTROBOX



- \* **ULTRAFLEX**
- \*\* **INDEXER**

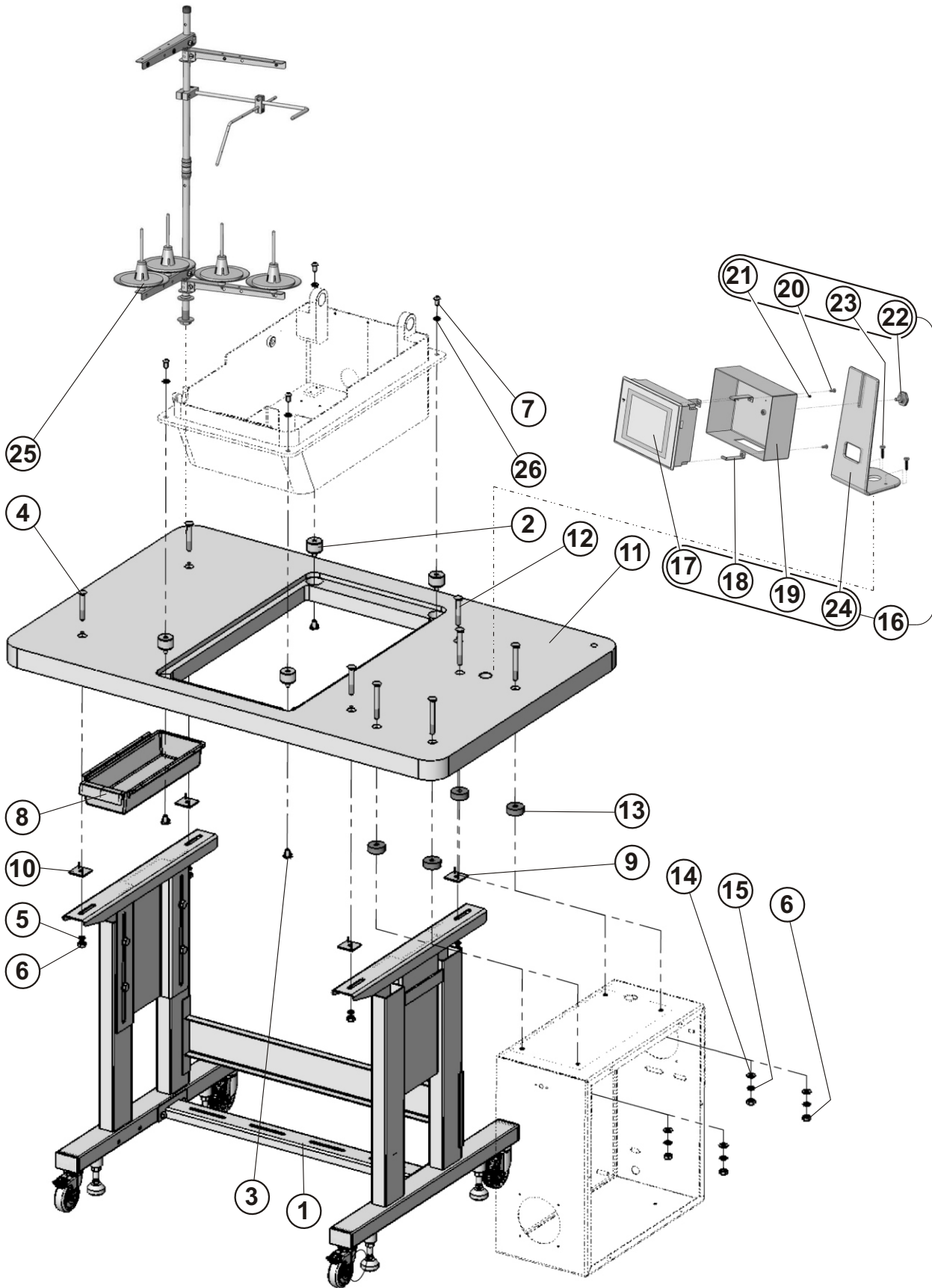
## ELECTROBOX

DET	PART NUMBER	DESCRIPTION	QTY.
01	12.0008.4.612	PUSHBUTTON (KNIFE)	1
02	12.0008.4.615	SWITCH BLOCK NO	1
03	12.0008.4.665	FUSE T2A - F1, F2	2
04	12.0008.4.664	FUSE T10A - F3, F4, F5, F6	4
05	12.0008.4.050	BRIDGE GND	1
06	06.8015.0.004	SERVODRIVER OMRON	1
07	12.0008.4.761	FAN FILTER	2
08	12.0010.4.071	EXP. BLOCK	1
09	12.0008.4.833	CONTACTOR	1
10	12.0010.4.168	POWER SUPPLY 24V	1
11	12.0010.4.078	FILTER	1
12	12.0010.4.162	TOROID TRANSFORMER	1
13	12.0008.4.770	RECTIFIER	2
14**	12.0010.4.161	DRIVER INDEXER	1
15*	12.0010.4.134	CAPACITOR BOARD CB1	1
16	12.0010.4.161	DRIVER STEPPER MOTOR	3
17*	12.0008.4.898	DRIVER ULTRAFLEX	1
18*	12.0008.4.682	FAN 230V	1
19	12.0010.4.067	PORT RS232	1
20	06.8015.0.001	PLC A	1
21*	06.8015.0.002	PLC B	1
21**	06.8015.0.002	PLC B	1
22	12.0010.4.200	POWER SWITCH	1
23	15.6004.0.000	ELECTROBOX	1
24	12.0010.4.163	BATTERY PLC	2

\* ULTRAFLEX

\*\* INDEXER

# EMBEDDED ASSEMBLY + PANEL KIT OMRON

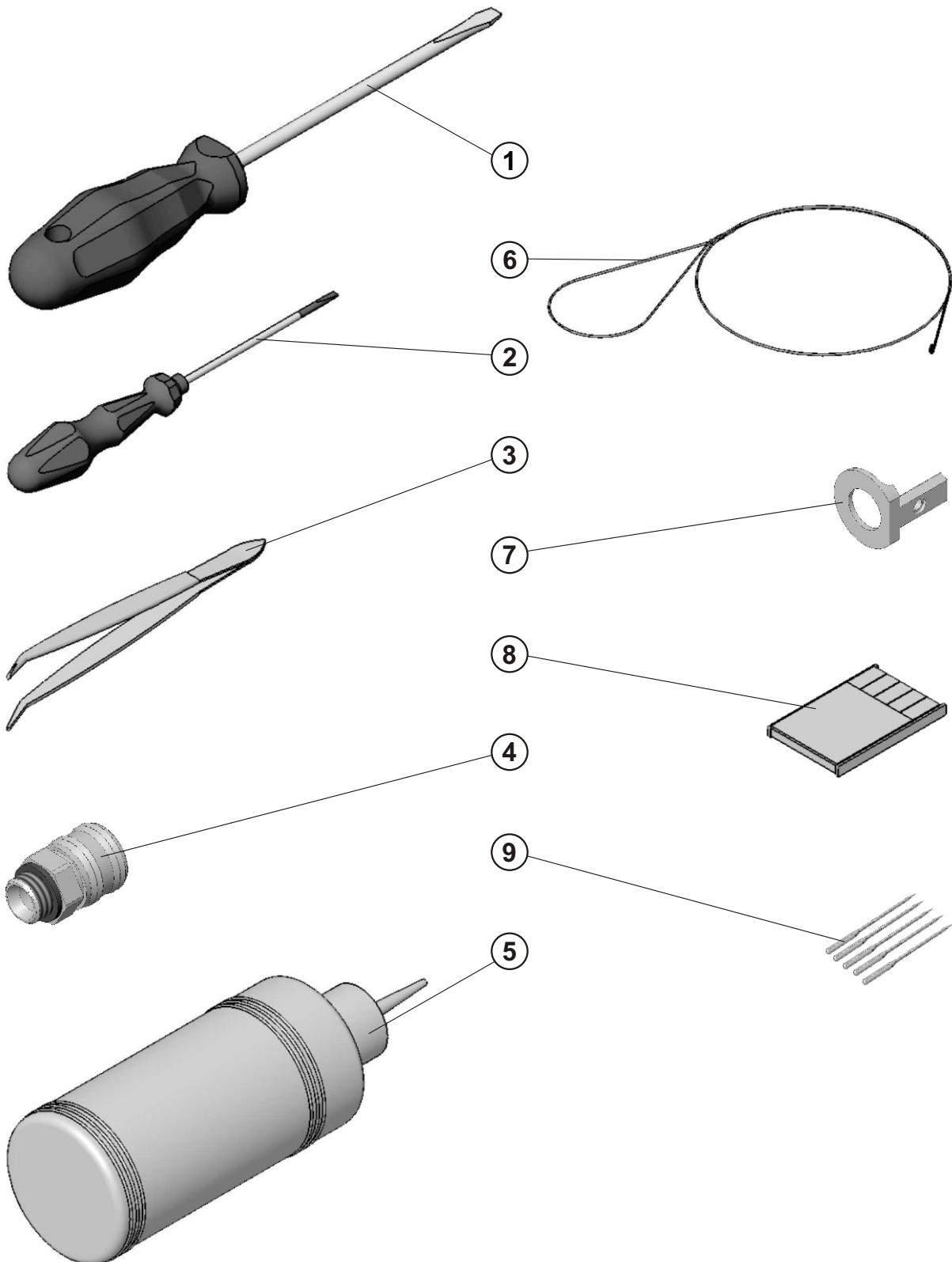




**EMBEDDED ASSEMBLY + PANEL KIT OMRON**

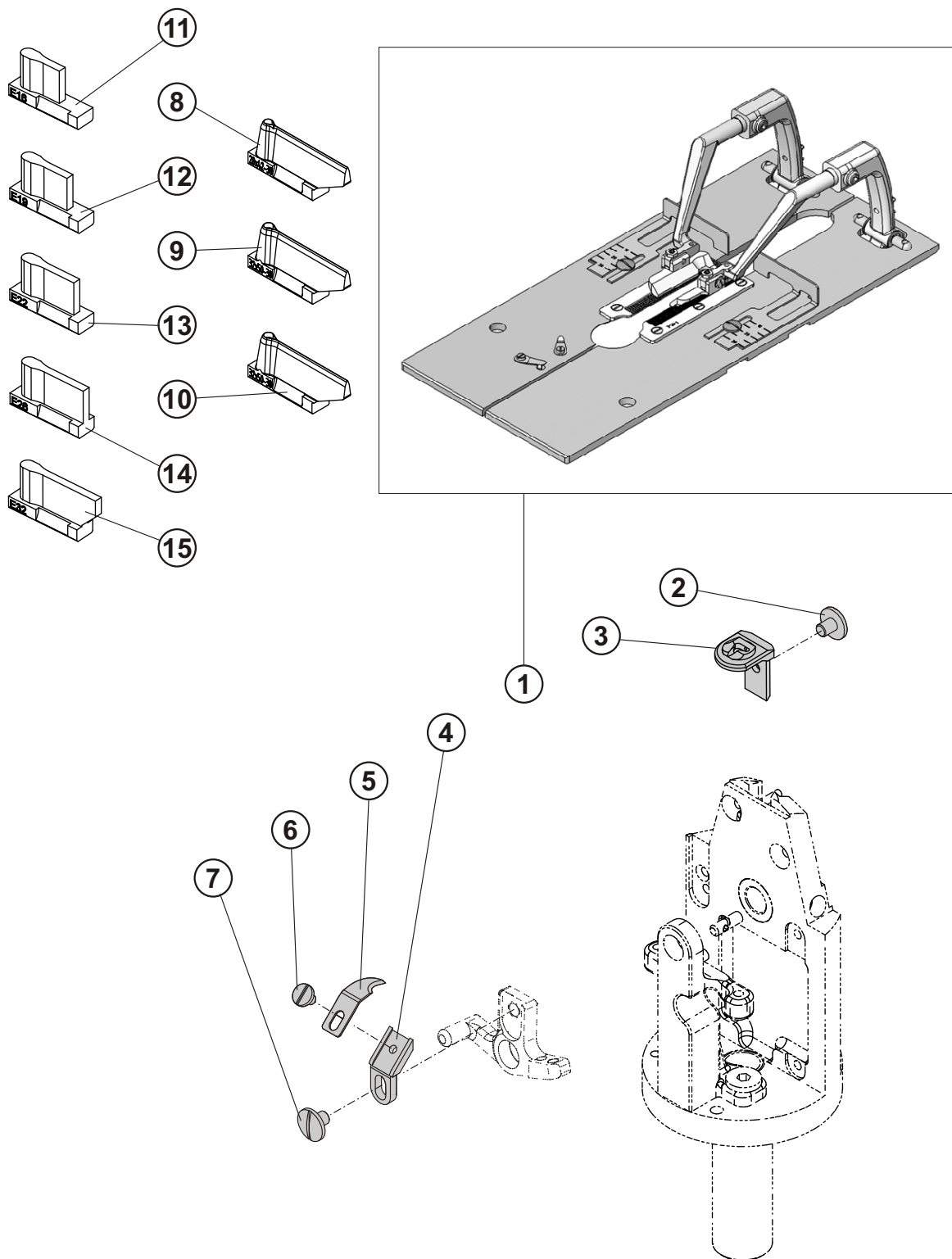
DET	PART NUMBER	DESCRIPTION	QTY.
01	04.9015.0.000	FRAME KIT	1
02	24.0084.0.000	UNIVERSAL TABLE SILENTBLOCK	4
03	08.6742.8.000	NUT M8	4
04	04.9015.0.362	SCREW M10-70	4
05	08.6852.0.000	WASHER 10,5	4
06	08.6702.0.000	NUT M10	8
07	08.6202.8.016	SCREW M8-16	4
08	12.0008.6.901	BOX	1
09	17.0094.0.200	WASHER	4
10	12.4010.0.004	NAIL 1,6-20	8
11	04.9015.0.900	TABLE TOP	1
12	04.9015.0.363	SCREW M10-90	4
13	15.6005.0.990	SHOCK MOUNT	4
14	08.6852.0.000	WASHER 10,5	4
15	08.6802.0.000	SPRING WASHER M10	8
16	15.6002.0.050	PANEL KIT - OMRON	1
17	12.0010.4.146	DISPLAY	(1)
18	24.0168.0.000	DISPLAY HOLDER - OMRON	(3)
19	24.0169.0.000	PANEL COVER - OMRON	(1)
20	15.1426.0.100	SCREW M4-10	(3)
21	08.6662.3.006	SCREW	(1)
22	19.0014.7.003	SCREW - PANEL	(1)
23	08.6663.5.025	SCREW 4,8-25	(2)
24	15.6002.0.800	DISPLAY STAND TABLE	(1)
25	12.9900.9.000	THREAD STAND - ASSEMBLY - 4-THREAD	1
26	08.6852.8.000	WASHER M8	4

# STANDARD ACCESSORIES



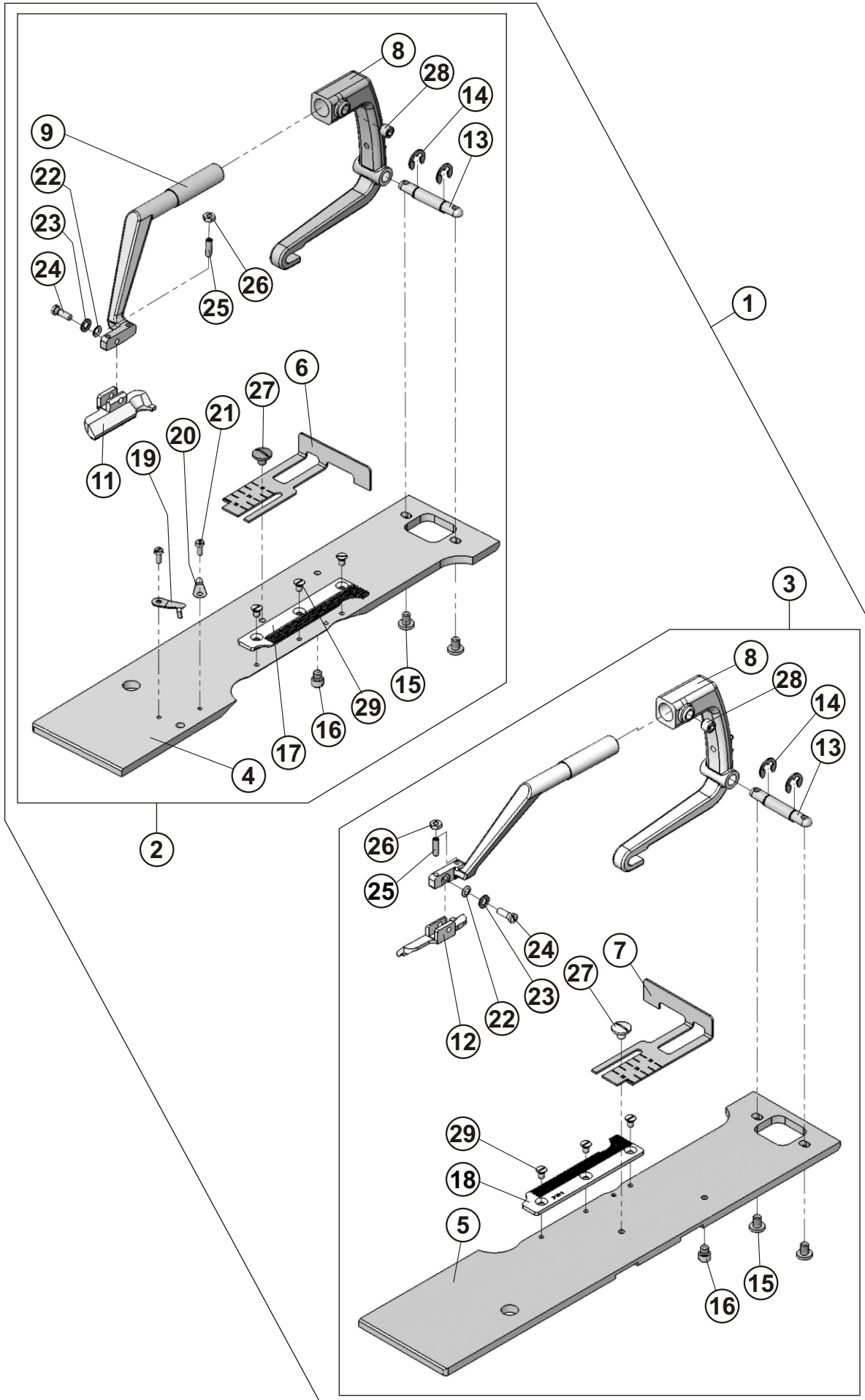


**VERSION AF ES-505**





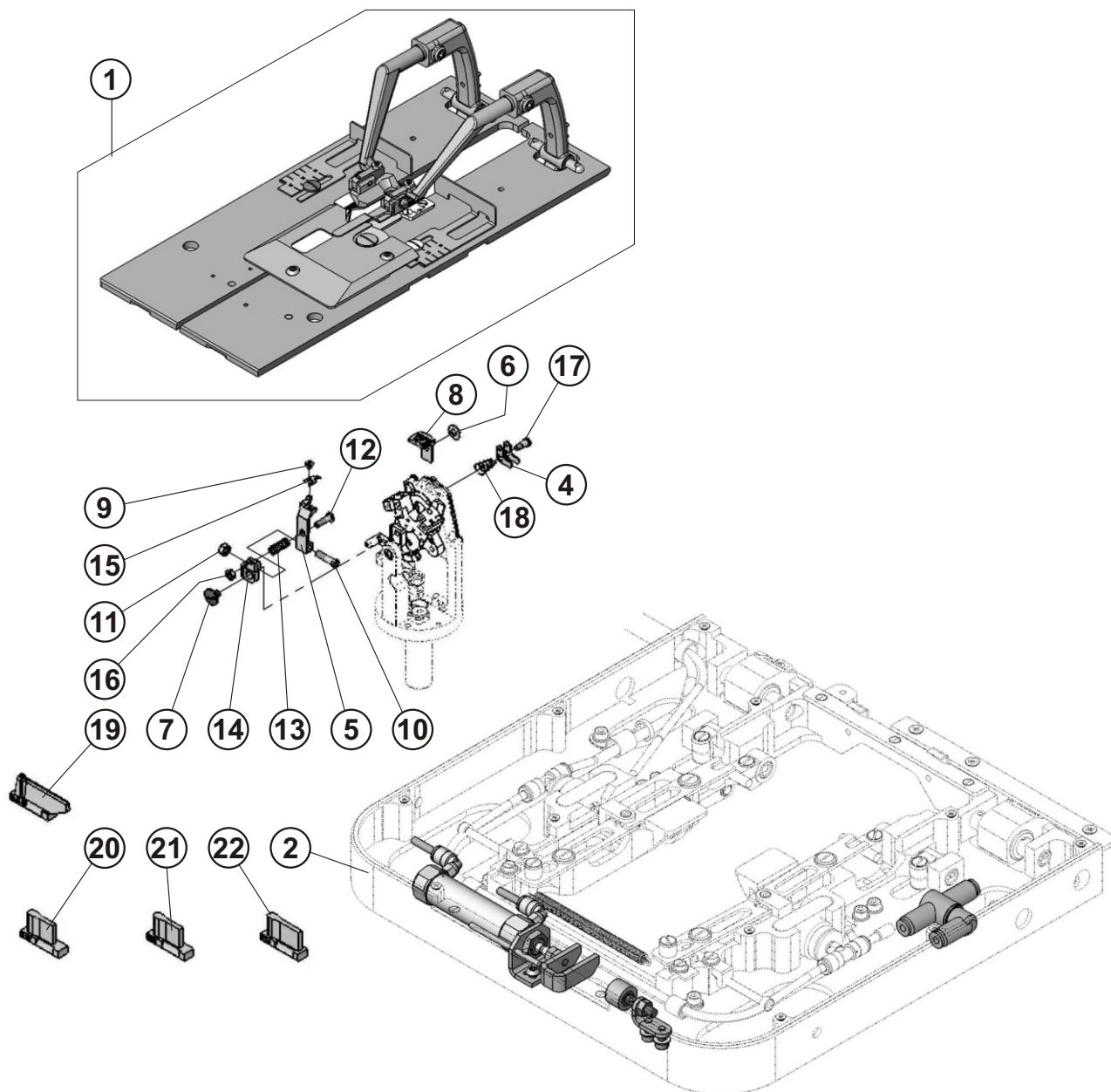
# AF - CLAMPING ASSEMBLY



## AF - CLAMPING ASSEMBLY

DET	PART NUMBER	DESCRIPTION	QTY.
01	15.2500.0.050	AF - CLAMPING - ASSEMBLY	1
02	15.2501.0.050	AF - CLAMPING L.H. - ASSEMBLY	(1)
03	15.2502.0.050	AF - CLAMPING R.H.- ASSEMBLY	(1)
04	15.2501.1.800	PLATE LEFT	((1))
05	15.2502.1.800	PLATE RIGHT	((1))
06	19.0082.6.421	L.H. CLOTH GAUGE	((1))
07	19.0082.6.422	R.H. CLOTH GAUGE	((1))
08	15.2504.0.700	CLAMP ARM BASE	((1)+(1))
09	15.2505.0.700	L.H. CLAMP ARM	((1))
10	15.2506.0.700	R.H. CLAMP ARM	((1))
11	17.0066.7.421	CLAMP FOOT LEFT	(1)
12	17.0066.7.420	CLAMP FOOT RIGHT	(1)
13	15.2503.0.300	CLAMP ARM STUD	((1)+(1))
14	12.1045.0.005	LOCK WASHER	((2)+(2))
15	08.6050.4.006	SCREW M4X6	((2)+(2))
16	15.2023.0.300	SCREW	((1)+(1))
17	03.7050.1.001	CLAMP MAT L.H.	((1))
18	03.7050.1.002	CLAMP MAT R.H.	((1))
19	17.0087.0.169	KNIFE	((1)+(1))
20	17.0082.5.884	CLIP	((1))
21	15.1430.0.100	SCREVV	((2))
22	17.0019.2.066	WASHER	((1)+(1))
23	17.0019.5.040	WASHER	((1)+(1))
24	17.0013.5.067	SCREW	((1)+(1))
25	08.6402.3.010	SCREW M3-10	((1)+(1))
26	08.6712.3.000	NUT M3	((1)+(1))
27	17.0012.4.106	SCREW M4	((1)+(1))
28	08.6402.6.006	SCREW M6-6	((1)+(1))
29	15.1436.0.100	SCREW M3-4	((3)+(3))

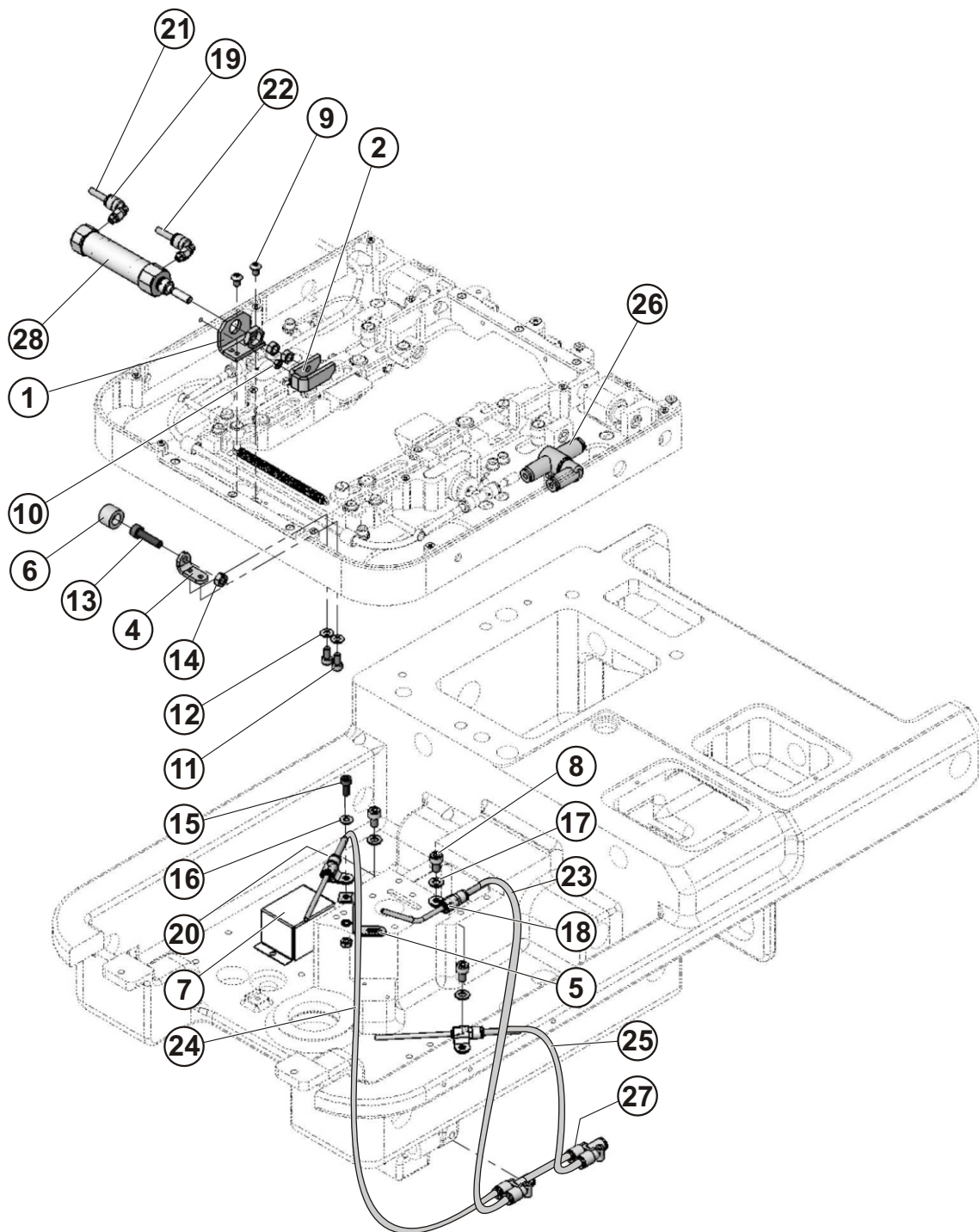
# VERSION CT ES-505







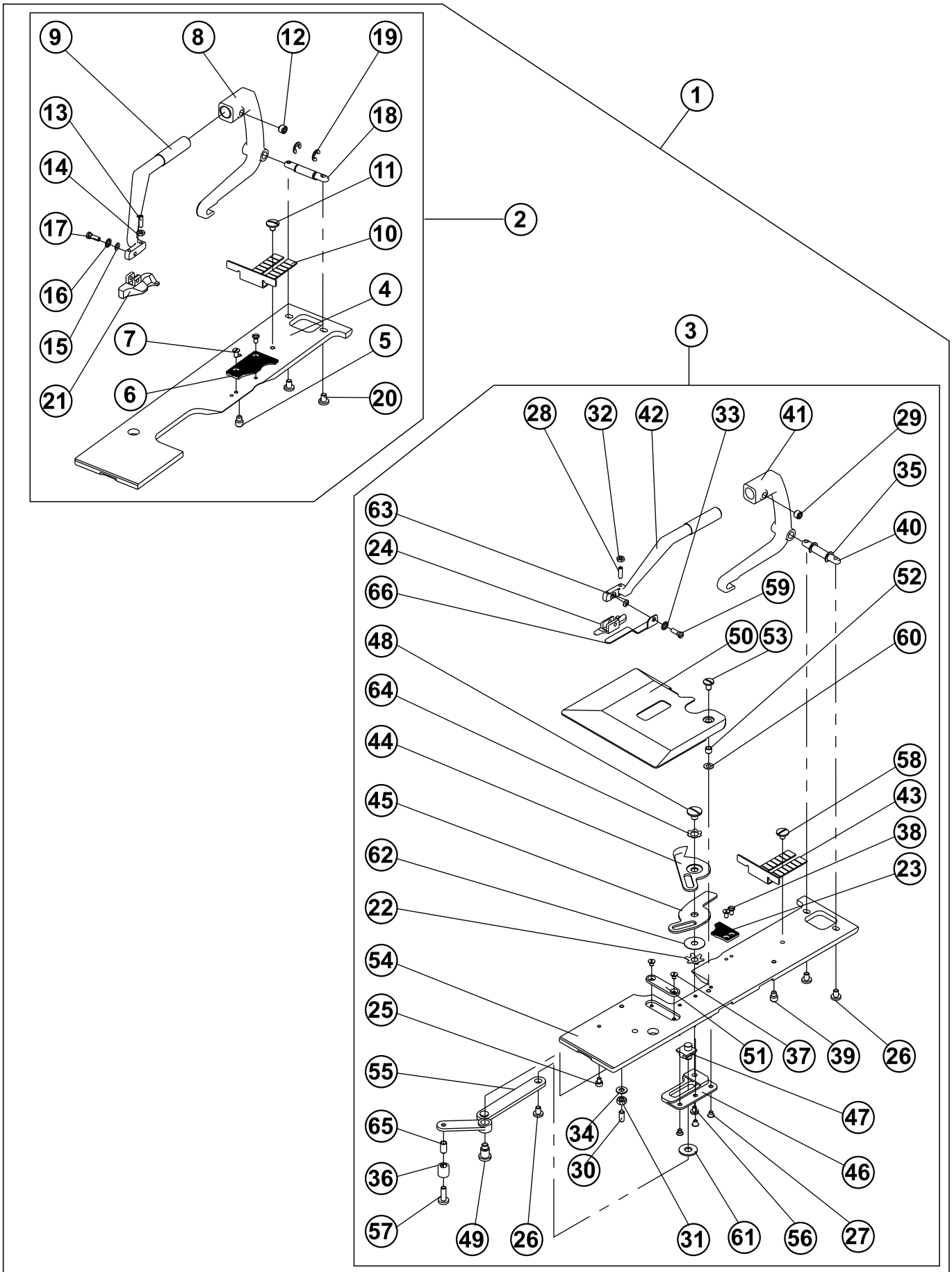
# CT - ASSEMBLY



**CT - ASSEMBLY**

DET	PART NUMBER	DESCRIPTION	QTY.
01	15.2617.1.800	HOLDER	1
02	15.2618.0.800	ACTUATOR	1
04	15.2620.0.800	BRACKET	1
05	15.2624.0.800	HOLDER	1
06	19.0095.1.406	REST	1
07	19.0005.2.218	TUBE	3
08	08.6000.5.008	SCREW M5 x 8	3
09	08.6200.4.006	SCREW M4-6	2
10	08.6700.3.000	NUT M3	1
11	08.6000.4.008	SCREW M4-8	2
12	08.6850.4.000	WASHER M4	2
13	08.6000.5.020	SCREW M5-20	1
14	08.6700.5.000	NUT M5	1
15	08.6000.3.005	SCREW M3-5	1
16	08.6850.3.000	WASHER 3,2	1
17	08.6850.5.000	WASHER 5,3	3
18	07.6600.0.004	CLAMP CABLE	3
19	12.0010.3.028	CONNECTOR	2
20	12.0010.3.027	CONNECTOR	3
21	12.0008.3.416	AIR TUBE- J7A	1
22	12.0008.3.416	AIR TUBE- J7B	1
23	12.0008.3.416	AIR TUBE- J16A5	1
24	12.0008.3.416	AIR TUBE- J16A3	1
25	12.0008.3.416	AIR TUBE- J16A4	1
26	12.0008.3.899	LOGIC VALVE	1
27	12.0010.3.037	CONNECTOR	2
28	12.0010.3.035	CYLINDER	1

# CT 10-22 - CLAMPING - ASSEMBLY

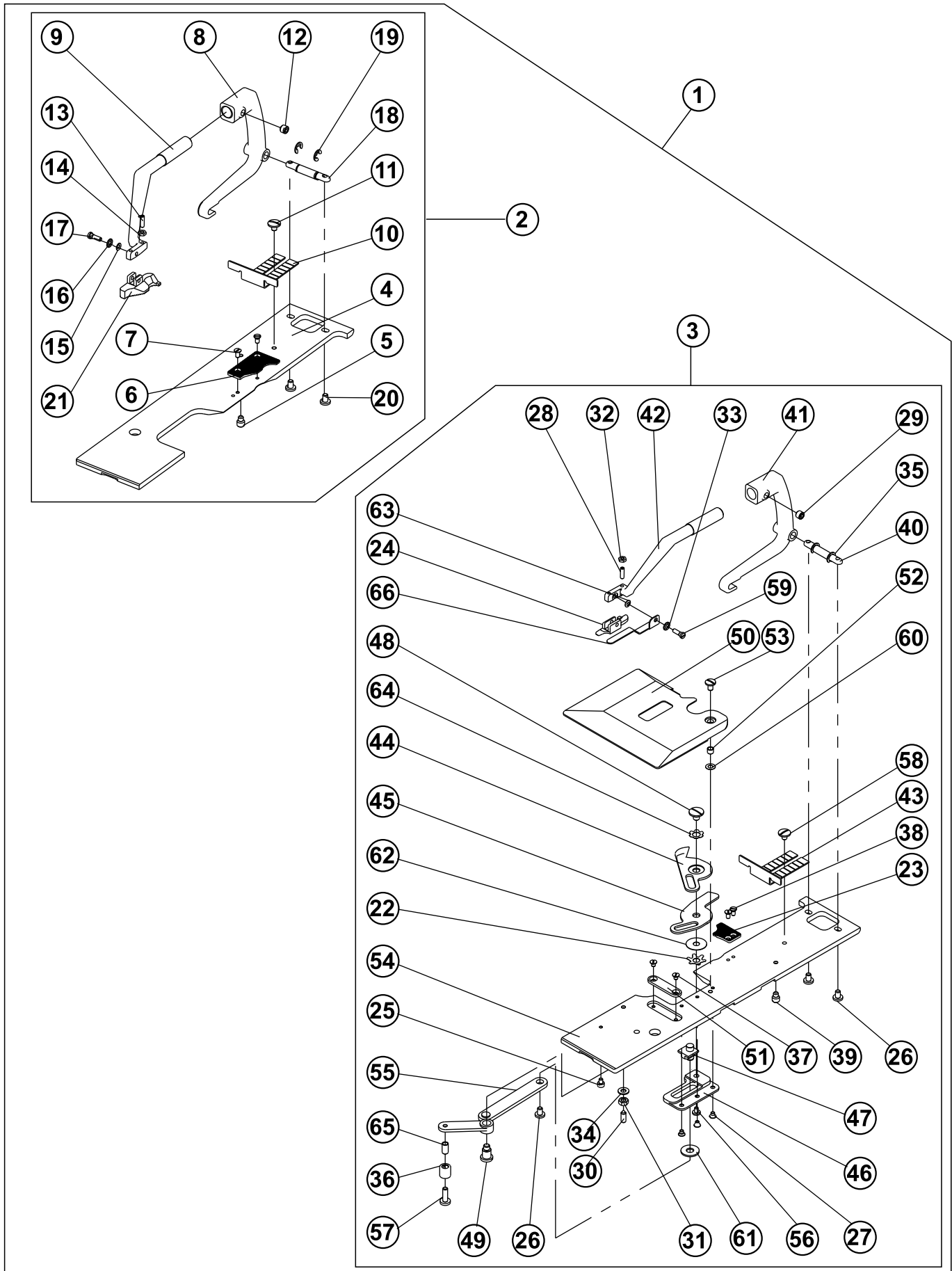


## CT 10-22 - CLAMPING - ASSEMBLY

DET	PART NUMBER	DESCRIPTION	QTY.
01	15.2600.0.053	CT 10-22 CLAMPING - ASSEMBLY	1
02	15.2631.0.050	CT - CLAMPING L.H. - ASSEMBLY (10-22)	(1)
03	15.2630.0.050	CT - CLAMPING R.H. - ASSEMBLY (10-22)	(1)
04	15.2631.0.800	PLATE LEFT - CT	((1))
05	15.2023.0.300	SCREW 6h6-4/M4x0.5-4.5	((1))
06	03.7050.0.025	CLAMP MAT LEFT 2-20	((1))
07	15.1436.0.100	SCREW M3-6 DIN 963	((2))
08	15.2504.0.700	CLAMP ARM BASE	((1))
09	15.2505.0.700	L.H.CLAMP ARM	((1))
10	15.2507.1.800	GAUGE	((1))
11	17.0012.4.106	SCREW M4x0,5	((1))
12	08.6412.6.005	SCREW M6-5 DIN 913	((1))
13	08.6412.3.010	SCREW M3-10 DIN 913	((1))
14	08.6712.3.000	NUT M3 ISO 4035-BN124	((1))
15	17.0019.2.066	WASHER	((1))
16	08.6832.3.000	WASHER 3 CSN 02 1745	((1))
17	17.0013.5.067	SCREW	((1))
18	15.2503.0.300	CLAMP ARM STUD	((1))
19	12.1045.0.004	RETAINING RING 4 DIN 6799	((2))
20	08.6050.4.006	SCREW M4-6 BN 1206	((2))
21	03.7069.0.120	CLAMP FOOT 20-3-1	((1))
22	01.5062.0.000	WASHER	(1)
23	03.7050.0.026	CLAMP MAT RIGHT 2-20	(1)
24	03.7069.0.020	CLAMP FOOT RIGHT 20-3-0	(1)
25	08.6000.3.004	SCREW M3-4 DIN912	(1)
26	08.6050.4.006	SCREW M4-6 BN 1206	(3)
27	08.6112.3.005	SCREW M3x5 ISO 2009	(3)
28	08.6412.3.010	SCREW M3-10 DIN 913	(1)
29	08.6412.6.005	SCREW M6-5 DIN 913	(1)
30	08.6490.4.009	PLUNGER M4-9	(1)
31	08.6702.4.000	NUT M4 DIN934 BN110	(1)
32	08.6712.3.000	NUT M3 ISO 4035-BN124	(1)
33	08.6832.3.000	WASHER 3 CSN 02 1745	(1)
34	08.6852.4.000	WASHER M4 DIN125	(1)
35	12.1045.0.004	RETAINING RING 4 DIN 6799	(2)
36	12.2050.1.005	BEARING	(1)
37	15.1431.0.100	SCREW M3-4	(2)
38	15.1436.0.100	SCREW M3-6 DIN 963	(2)
39	15.2023.0.300	SCREW 6h6-4/M4x0.5-4.5	(1)
40	15.2503.0.300	CLAMP ARM STUD	(1)
41	15.2504.0.700	CLAMP ARM BASE	(1)
42	15.2506.0.700	R.H.CLAMP ARM	(1)
43	15.2507.1.800	GAUGE	(1)
44	15.2603.0.800	UPPER SHEAR - CT	(1)
45	15.2604.0.800	LOWER SHEAR - CT	(1)
46	15.2605.0.600	HOLDER KNIFES	(1)
47	15.2606.0.600	RIDER	(1)
48	15.2609.0.100	SCREW	(1)
49	15.2610.0.100	SCREW	(1)
50	15.2611.1.600	COVER CT	(1)

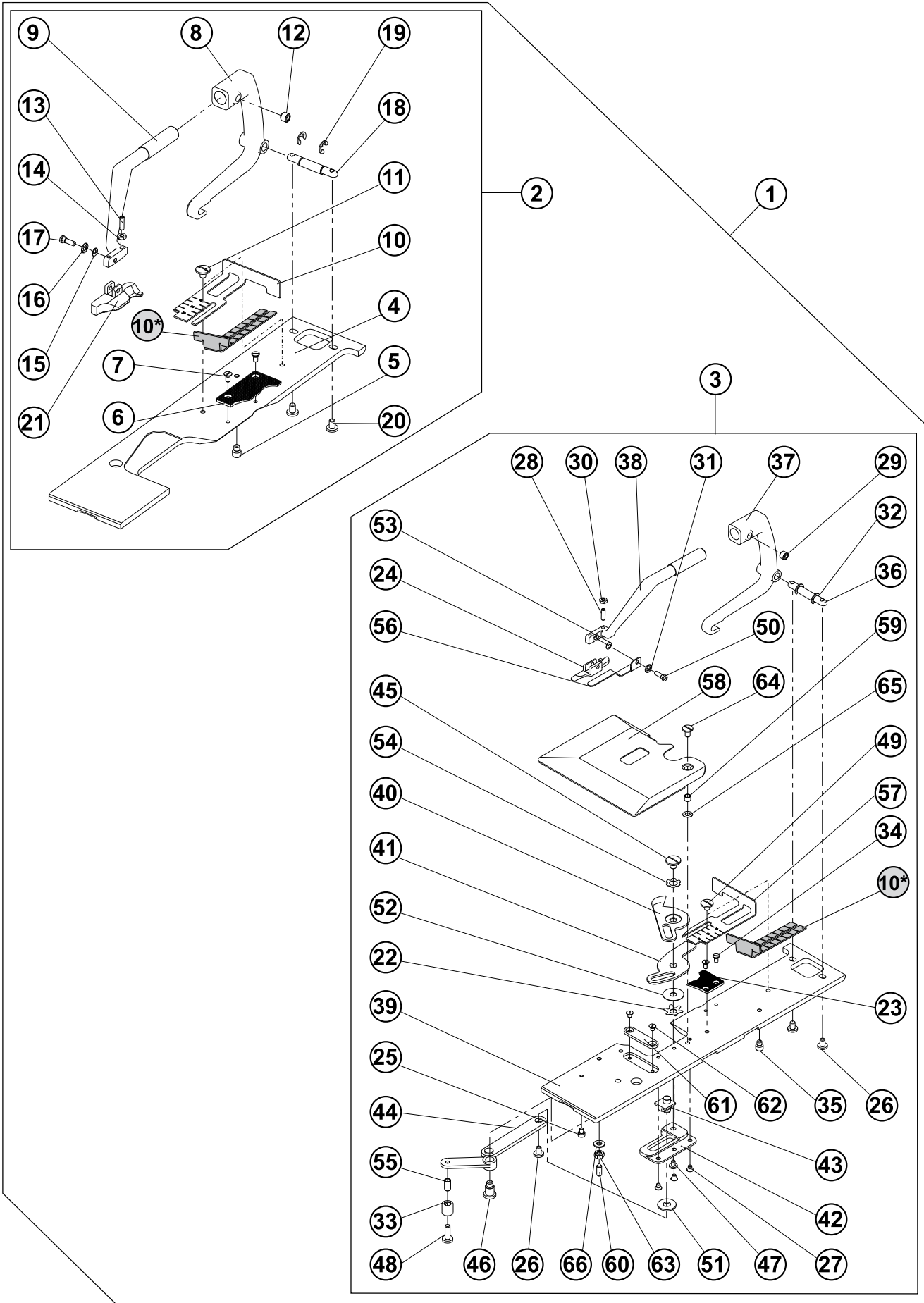


# CT 10-22 - CLAMPING - ASSEMBLY





# CT 14-26 - CLAMPING - ASSEMBLY



\* Indexer



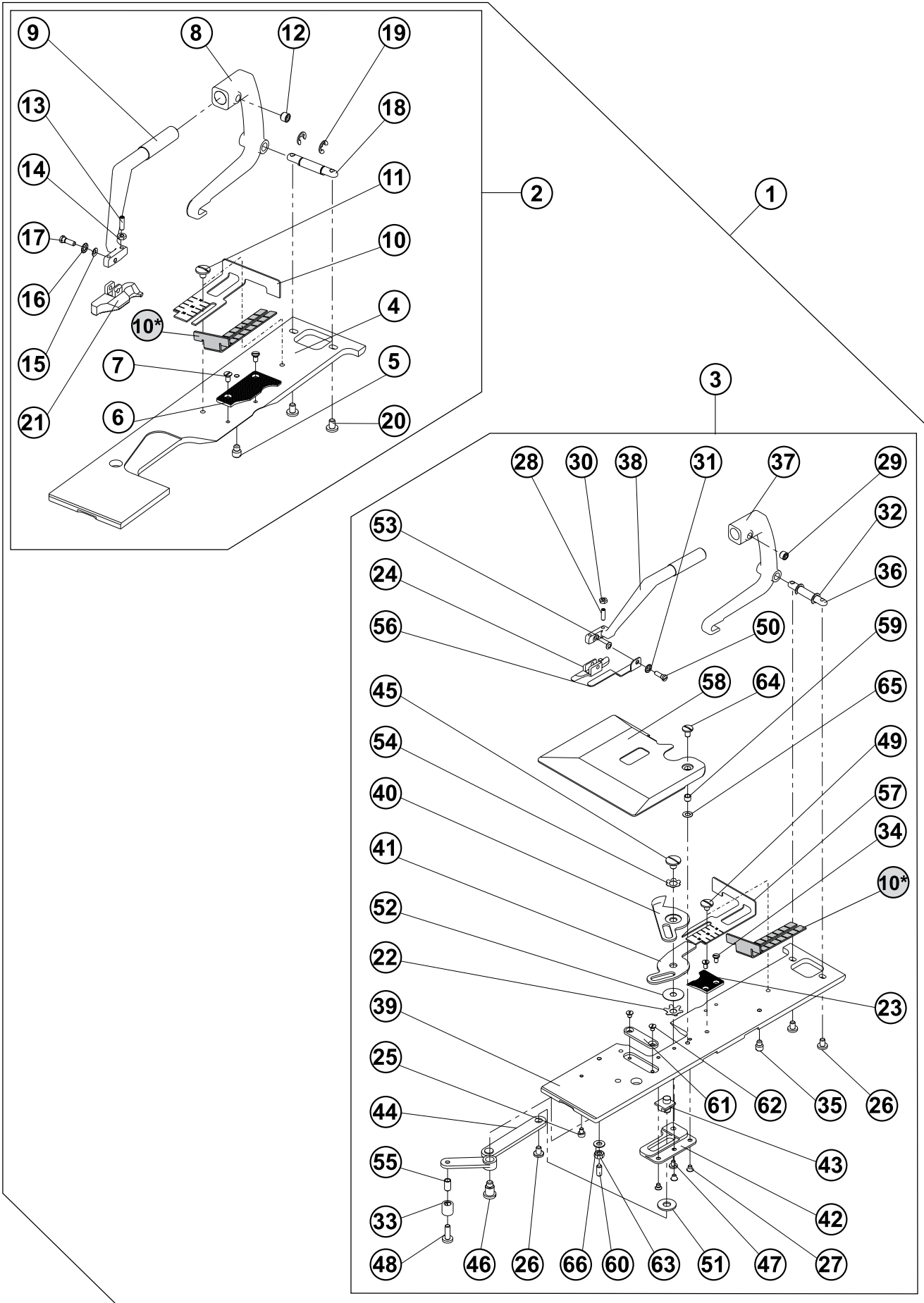
## CT 14-26 - CLAMPING - ASSEMBLY

DET	PART NUMBER	DESCRIPTION	QTY.
01	15.2600.0.050	CT 14-26 - CLAMPING - ASSEMBLY	1
02	15.2601.0.050	CT - CLAMPING L.H. - ASSEMBLY (14-26)	(1)
03	15.2602.0.050	CT - CLAMPING R.H. - ASSEMBLY (14-26)	(1)
04	15.2701.1.800	PLATE LEFT - LTT	((1))
05	15.2023.0.300	SCREW M4x0.5-4.5	((1))
06	03.7050.0.005	CLAMP MAT LEFT 2-26	((1))
07	15.1436.0.100	SCREW M3-6	((2))
08	15.2504.0.700	CLAMP ARM BASE	((1))
09	15.2505.0.700	L.H.CLAMP ARM	((1))
10	19.0082.6.421	L.H. CLOTH GAUGE	((1))
10*	15.2507.1.800	GAUGE	((1))+1)
11	17.0012.4.106	SCREW M4x0,5	((1))
12	08.6412.6.005	SCREW M6-5	((1))
13	08.6412.3.010	SCREW M3-10	((1))
14	08.6712.3.000	NUT M3	((1))
15	17.0019.2.066	WASHER	((1))
16	08.6832.3.000	WASHER 3	((1))
17	17.0013.5.067	SCREW	((1))
18	15.2503.0.300	CLAMP ARM STUD	((1))
19	12.1045.0.004	RETAINING RING 4	((2))
20	08.6050.4.006	SCREW M4-6	((2))
21	03.7069.0.126	CLAMP FOOT	((1))
22	01.5062.0.000	WASHER	(1)
23	03.7050.0.006	CLAMP MAT RIGHT 2-26	(1)
24	03.7069.0.026	CLAMP FOOT RIGHT 26-3-0	(1)
25	08.6000.3.004	SCREW M3-4	(1)
26	08.6050.4.006	SCREW M4-6	(3)
27	08.6112.3.005	SCREW M3x5	(3)
28	08.6412.3.010	SCREW M3-10	(1)
29	08.6412.6.005	SCREW M6-5	(1)
30	08.6712.3.000	NUT M3	(1)
31	08.6832.3.000	WASHER 3	(1)
32	12.1045.0.004	RETAINING RING 4	(2)
33	12.2050.1.005	BEARING	(1)
34	15.1436.0.100	SCREW M3-6	(2)
35	15.2023.0.300	SCREW M4x0.5-4.5	(1)
36	15.2503.0.300	CLAMP ARM STUD	(1)
37	15.2504.0.700	CLAMP ARM BASE	(1)
38	15.2506.0.700	R.H.CLAMP ARM	(1)
39	15.2602.0.800	PLATE RIGHT - CT	(1)
40	15.2603.0.800	UPPER SHEAR - CT	(1)
41	15.2604.0.800	LOWER SHEAR - CT	(1)
42	15.2605.0.600	HOLDER KNIFES	(1)
43	15.2606.0.600	RIDER	(1)
44	15.2607.0.050	TRIMMING LEVER CT 14-26	(1)
45	15.2609.0.100	SCREW	(1)
46	15.2610.0.100	SCREW	(1)
47	17.0012.0.605	SCREW	(1)
48	17.0012.1.142	SCREW	(1)

\* Indexer



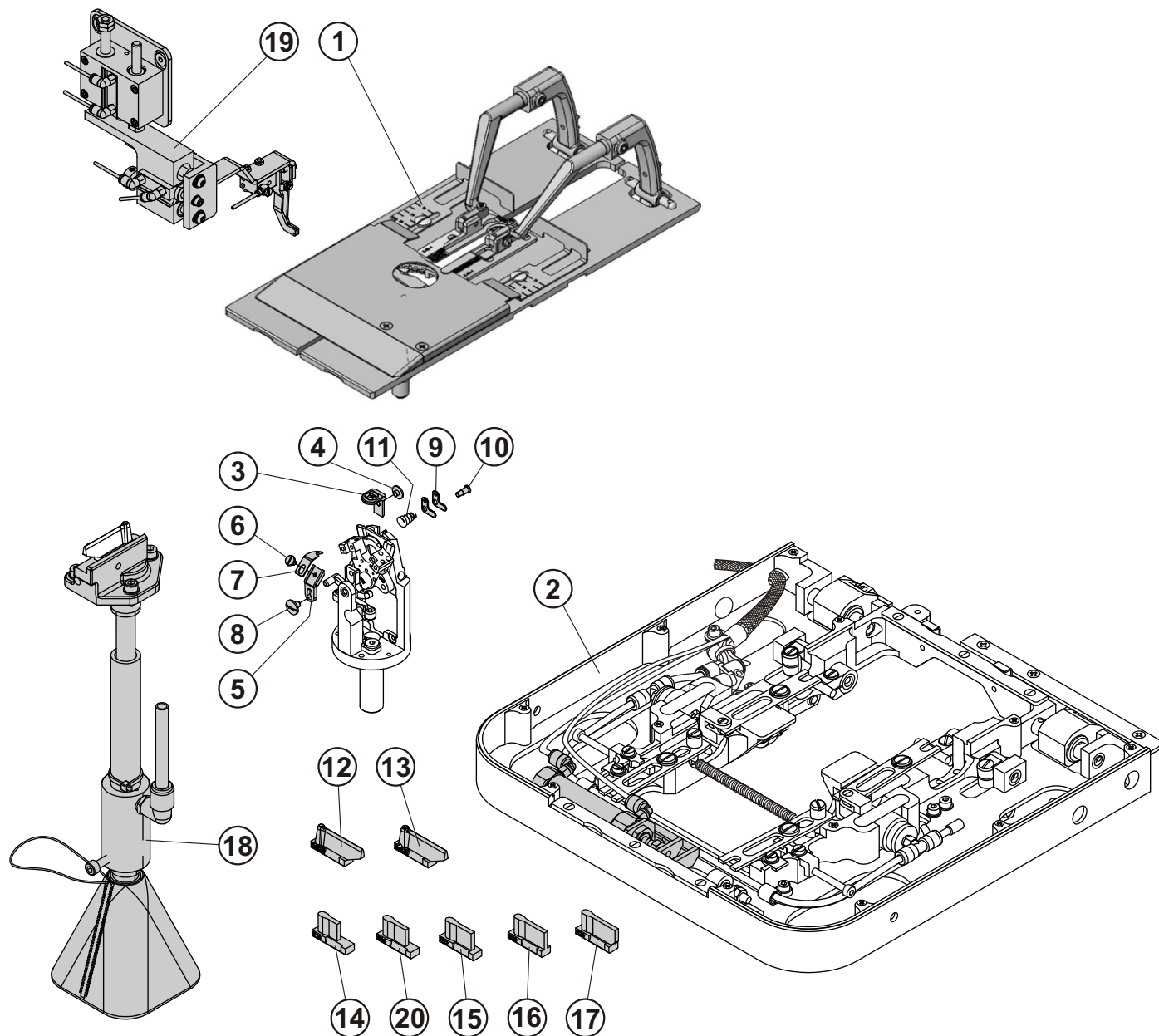
# CT 14-26 - CLAMPING - ASSEMBLY



\* Indexer

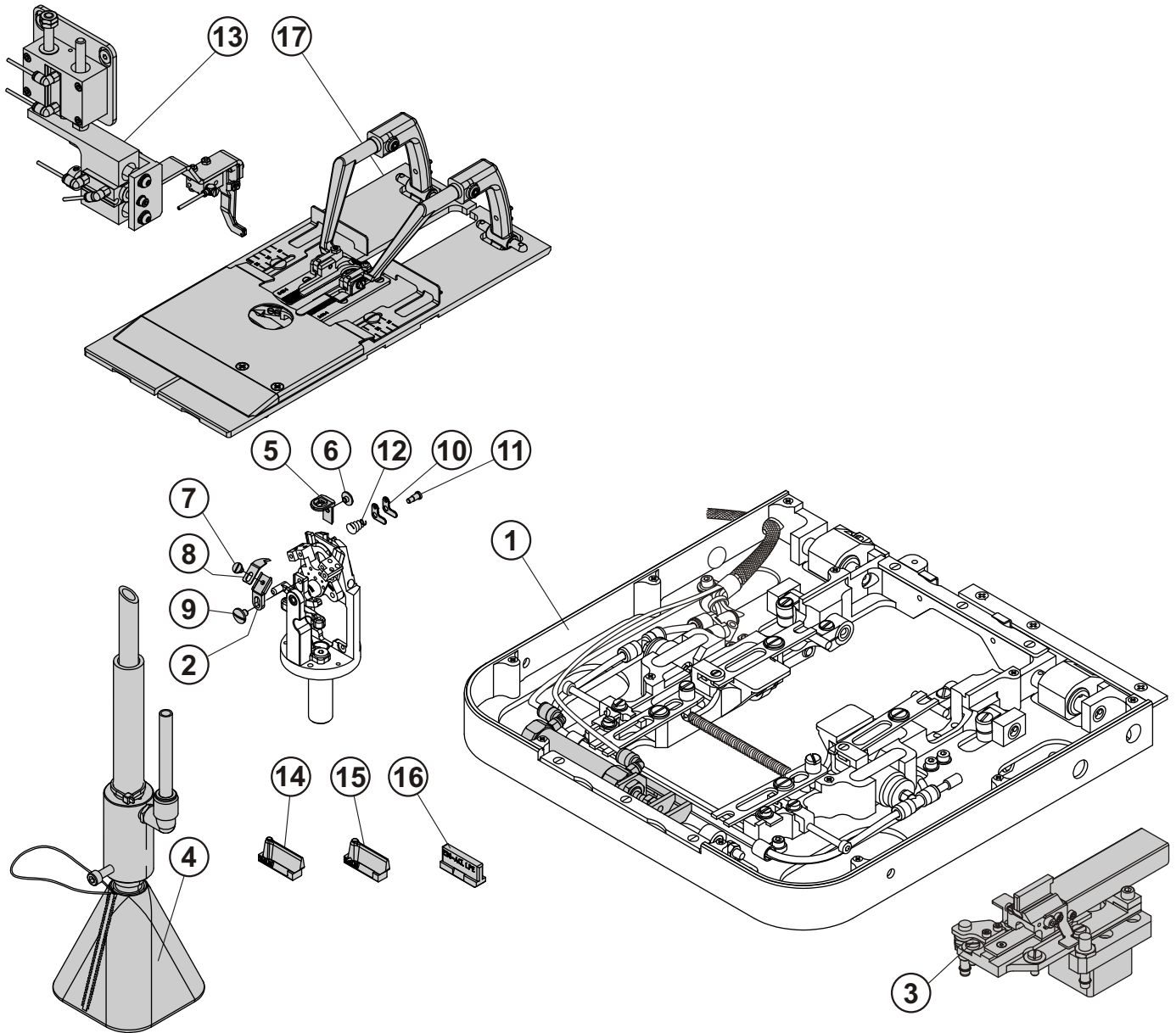


# VERSION LTT





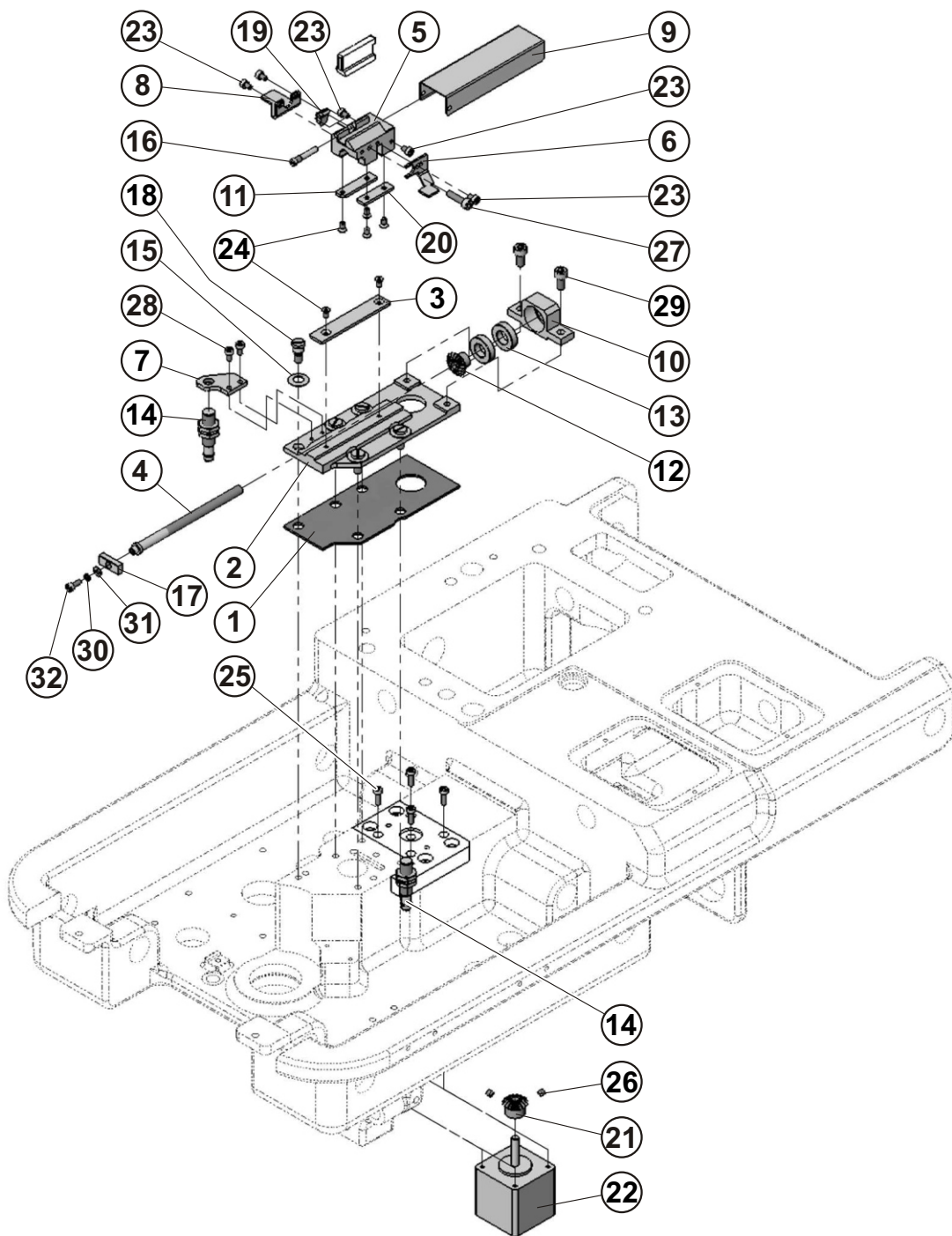
# VERSION LTT + ULTRAFLEX



**VERSION LTT + ULTRAFLEX**

DET	PART NUMBER	DESCRIPTION	QTY.
01	15.2700.0.051	LTT - ASSEMBLY	1
02	15.4516.0.800	KNIFE BRACKET	1
03	15.5206.0.050	ACL ES-505 - ASSEMBLY	1
04	15.5206.0.051	SUCTION ACL - ASSEMBLY	1
05	03.7020.0.317	THROAT PLATE	1
06	01.2056.1.000	SCREW-FULL THREADER	1
07	17.0012.0.605	SCREW	1
08	17.0087.0.204	KNIFE	1
09	17.0012.4.106	SCREW M4	1
10	15.4524.0.800	TENSION DISC	2
11	17.0013.1.259	SCREW	1
12	17.0026.2.020	SPRING	1
13	03.5515.0.009	ES-505 THREAD CATCHER	1
14	03.7032.0.030	KNIFE 28x42-30	1
15	03.7035.0.030	KNIFE 34x42-30	1
16	03.7042.0.030	CUTTING STEEL 30-ACL LPE	1
17	15.2700.1.052	LTT-CLAMPING ASSEMBLY	1

# ULTRAFLEX - ASSEMBLY

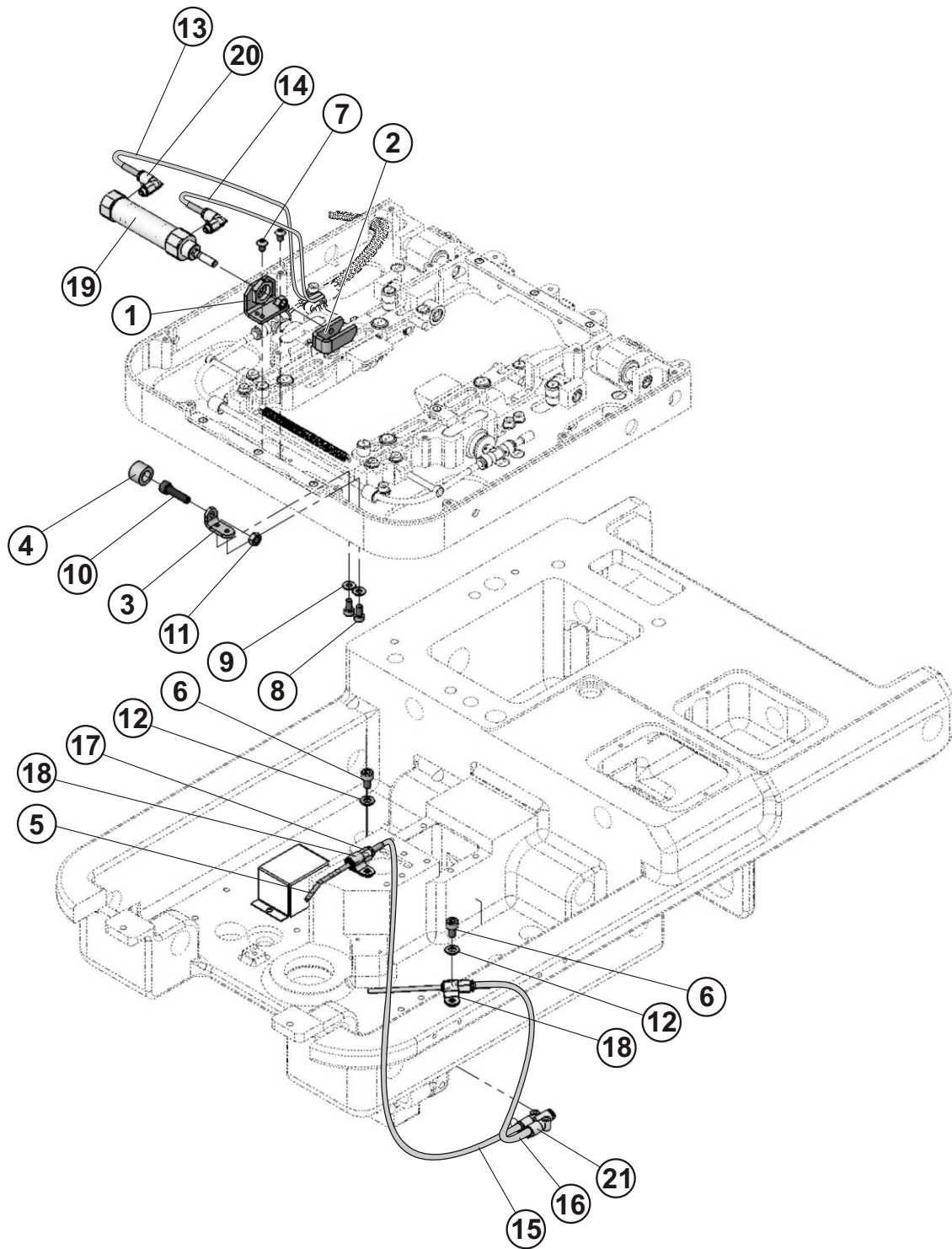




## ULTRAFLEX - ASSEMBLY

DET	PART NUMBER	DESCRIPTION	QTY.
01	15.5201.1.990	RUBBER WASHER ULTRAFLEX	1
02	15.5202.1.600	GUIDE ULTRAFLEX	1
03	15.5204.0.800	SHIM	1
04	15.5205.1.300	ENDLESS SCREW	1
05	15.5206.1.600	HOLDER ULTRAFLEX	1
06	15.5207.1.800	SENSOR PLATE ULTRAFLEX	1
07	15.5211.0.800	SENZOR HOLDER	1
08	15.5212.0.800	SENSOR PLATE	1
09	15.5213.0.800	COVER	1
10	15.5214.0.600	BEARING FLANGE	1
11	15.5215.0.800	GUIDE PLATE LEFT	1
12	15.5216.0.500	GEAR	1
13	01.7622.0.000	BEARING	2
14	12.0010.4.093	SENSOR BQ 10	2
15	12.3015.7.016	DISC SPRINGS 14x7,2x0,5	5
16	17.0013.1.415	SCREW	1
17	19.0016.3.410	NUT	1
18	19.0033.2.403	STUD 6.9/M5-5.5/8.8	5
19	19.0063.6.447	CLAMP ACL	1
20	19.0081.4.454	GUIDE PLATE RIGHT	1
21	22.0353.0.000	GEAR	1
22	06.1500.0.064	STEPPER MOTOR ULTRAFLEX - ASSEMBLY	1
23	08.6000.3.005	SCREW M3-5	5
24	08.6100.3.006	SCREW M3-6	6
25	08.6000.3.010	SCREW M3-10	4
26	08.6400.4.004	SCREW M4-4	2
27	08.6000.4.016	SCREW M4-16	1
28	08.6000.3.006	SCREW M3-6	2
29	08.6000.5.010	SCREW M5-10	2
30	08.6800.3.000	WASHER 3	1
31	08.6850.3.000	WASHER 3,2	1
32	08.6000.3.008	SCREW M3-8	1

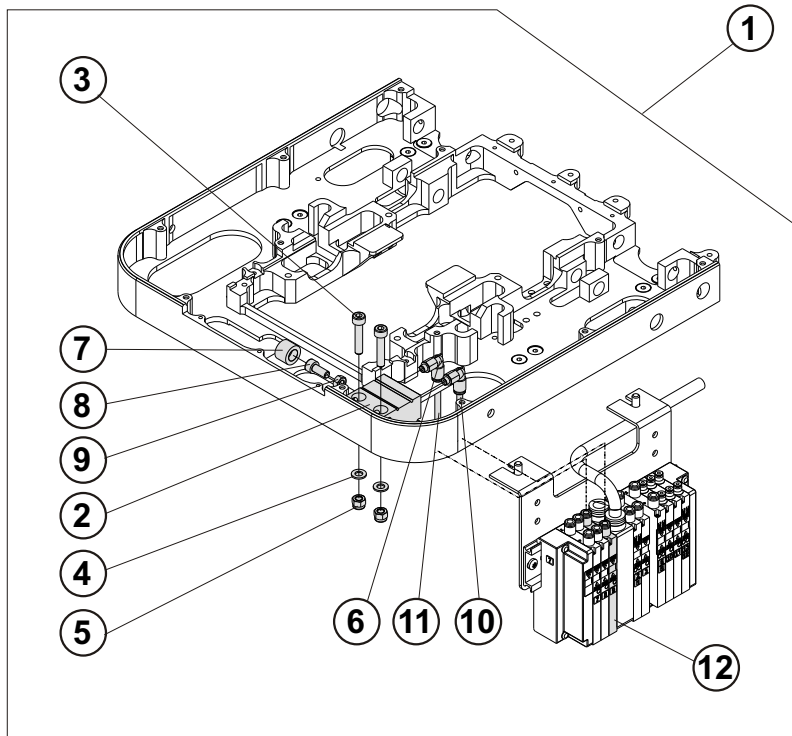
# LTT - ASSEMBLY



## LTT - ASSEMBLY

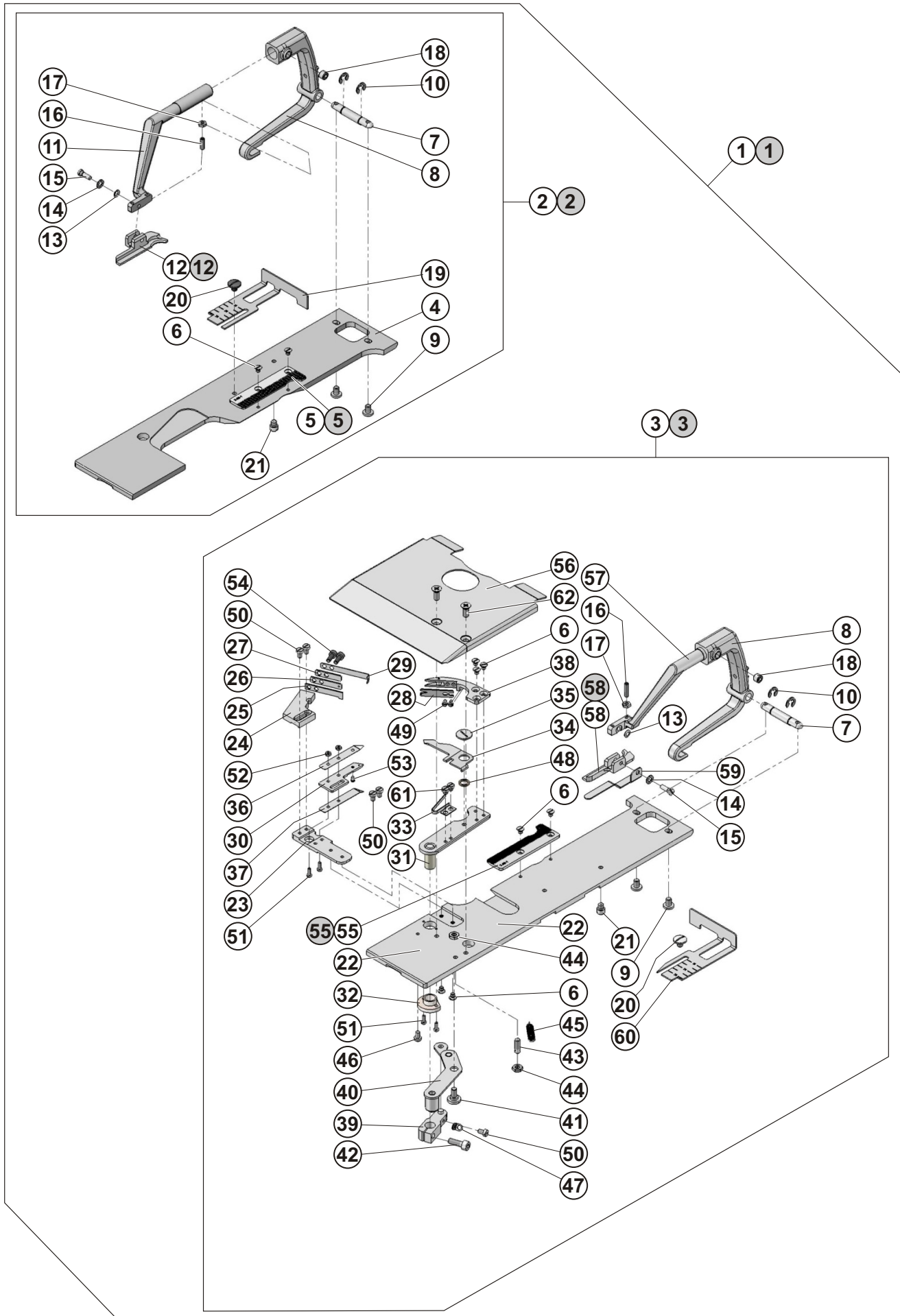
DET	PART NUMBER	DESCRIPTION	QTY.
01	15.2617.1.800	HOLDER	1
02	15.2618.0.800	ACTUATOR	1
03	15.2620.0.800	BRACKET	1
04	19.0095.1.406	REST	1
05	19.0005.2.218	TUBE	2
06	08.6000.5.008	SCREW M5 x 8	2
07	08.6200.4.006	SCREW M4-6	2
08	08.6000.4.008	SCREW M4-8	2
09	08.6850.4.000	WASHER M4	2
10	08.6000.5.020	SCREW M5-20	1
11	08.6700.5.000	NUT M5	1
12	08.6850.5.000	WASHER 5,3	2
13	12.0008.3.416	AIR TUBE- J7A	1
14	12.0008.3.416	AIR TUBE- J7B	1
15	12.0008.3.416	AIR TUBE- J16A3	1
16	12.0008.3.416	AIR TUBE- J16A4	1
17	12.0010.3.027	CONNECTOR	2
18	12.0008.4.280	CLAMP CABLE UCF-1,5	2
19	12.0010.3.035	CYLINDER	1
20	12.0010.3.028	CONNECTOR	2
21	12.0010.3.037	CONNETOR	1

# LTT - EXTRA PARTS





# LTT + ULTRAFLEX - CLAMPING



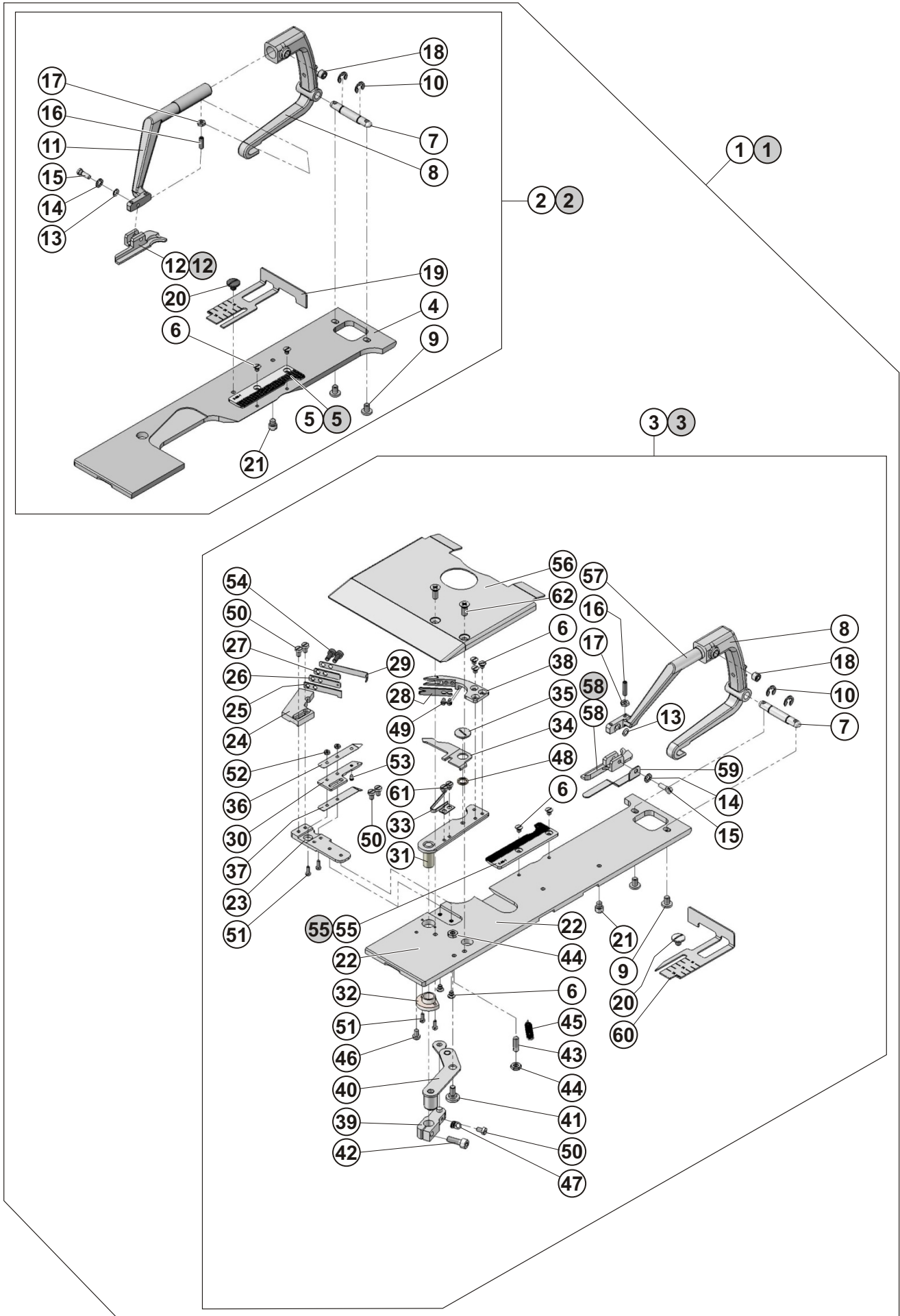
## LTT + ULTRAFLEX - CLAMPING

DET	PART NUMBER	DESCRIPTION	QTY.
01	15.2700.1.050	LTT CLAMPING ASSEMBLY	1
01	15.2700.1.052	LTT+ULTRAFLEX CLAMPING ASSEMBLY	1
02	15.2701.0.050	LTT CLAMPING L.H. ASSEMBLY	(1)
02	15.2701.0.051	LTT+ULTRAFLEX CLAMPING L.H. ASSEMBLY	(1)
03	15.2702.1.050	LTT CLAMPING R.H.ASSEMBLY	(1)
03	15.2702.1.051	LTT+ULTRAFLEX CLAMPING R.H.ASSEMBLY	(1)
04	15.2701.1.800	PLATE LEFT - LTT	((1))
05	03.7050.1.007	CLAMP MAT L.H. 2-50	((1))
05	03.7050.1.013	CLAMP MAT L.H. 2-50 U	((1))
06	15.1436.0.100	SCREW M3-4	((2)+(7))
07	15.2503.0.300	CLAMP ARM STUD	((1)+(1))
08	15.2504.0.700	CLAMP ARM BASE	((1)+(1))
09	08.6050.4.006	SCREW M4-6	((2)+(2))
10	12.1045.0.004	RETAINING RING 4	((2)+(2))
11	15.2505.0.700	L.H.CLAMP ARM	((1))
12	19.0066.7.423	CLAMP FOOT LEFT 40-6-423	((1))
12	03.7068.0.140	CLAMP FOOT LEFT 40-8-1	((1))
13	17.0019.2.066	WASHER	((1)+(1))
14	08.6832.3.000	WASHER 3	((1)+(1))
15	17.0013.5.067	SCREW	((1)+(1))
16	08.6412.3.012	SCREW M3-12	((1)+(1))
17	08.6710.3.000	NUT M3	((1)+(1))
18	08.6412.6.005	SCREW M6-5	((1)+(1))
19	19.0082.6.421	L.H. CLOTH GAUGE	((1))
20	17.0012.4.106	SCREW M4	((1)+(1))
21	15.2023.0.300	SCREW 6h6-4/M4x0.5-4.5	((1)+(1))
22	15.2702.2.800	PLATE RIGHT - LTT	((1))
23	15.2719.0.600	HOLDER	((1))
24	15.2718.0.600	HOLDER KNIFE	((1))
25	15.2723.0.800	FIXING KNIFE	((1))
26	15.2724.0.800	SPRING LOWER	((1))
27	15.2725.0.800	SPRING UPPER	((1))
28	19.0082.1.405	TREATING PLATE	((1))
29	15.2726.0.800	GUIDE PLATE	((1))
30	19.0082.6.432	GRASPING FIXING PLATE	((1))
31	15.2703.1.800	LEVER	((1))
32	15.2708.1.400	BUSHING	((1))
33	15.2717.0.800	SPRING	((1))
34	15.2706.1.800	LOWER THREAD OPENER	((1))
35	15.2715.0.100	SCREW	((1))
36	19.0081.5.452	GIMP GRASPING	((1))
37	19.0082.3.438	LOWER THREAD GRASPING	((1))
38	19.0087.0.424	MOVING KNIFE	((1))
39	15.2720.0.600	LEVER	((1))
40	15.2711.0.050	LEVER - ASSEMBLY	((1))

ULTRAFLEX



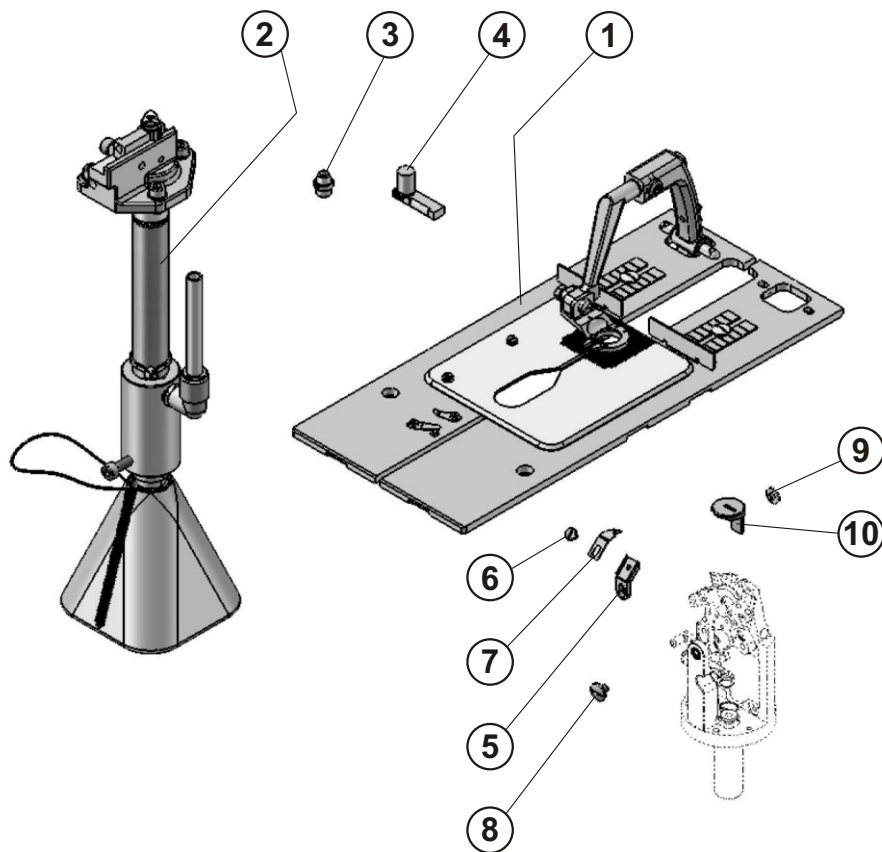
# LTT + ULTRAFLEX - CLAMPING





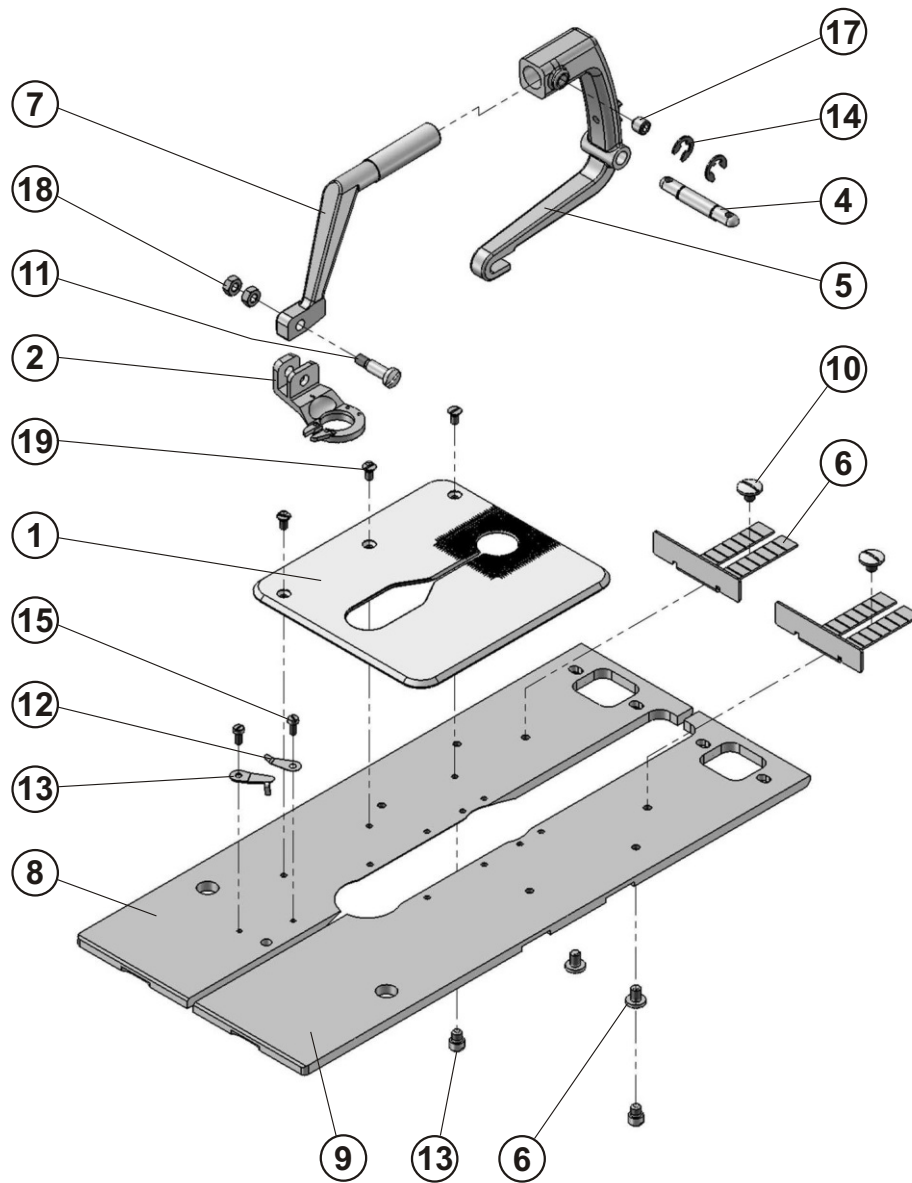


# VERSION RDE



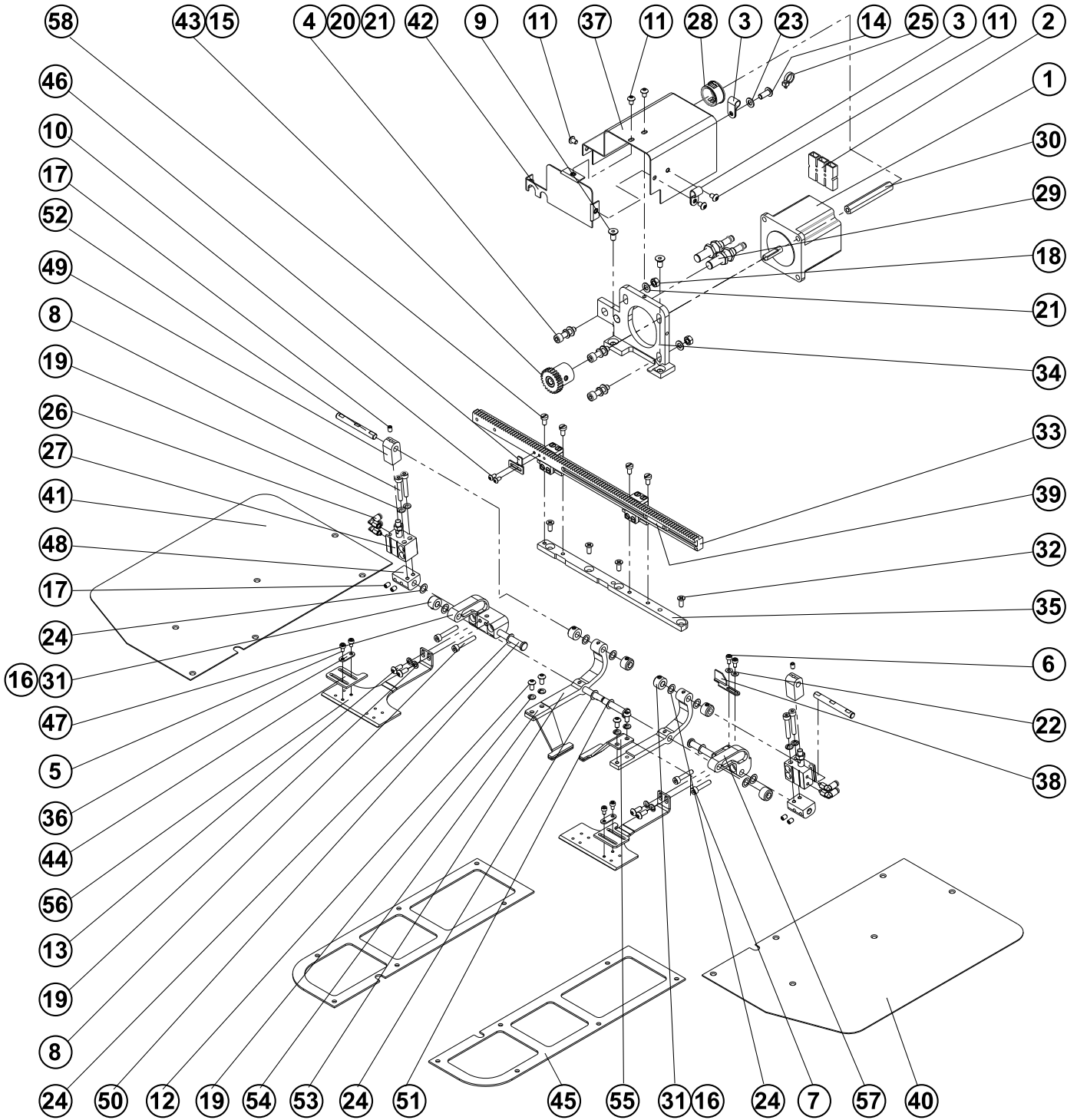


# RDE - CLAMPING - ASSEMBLY





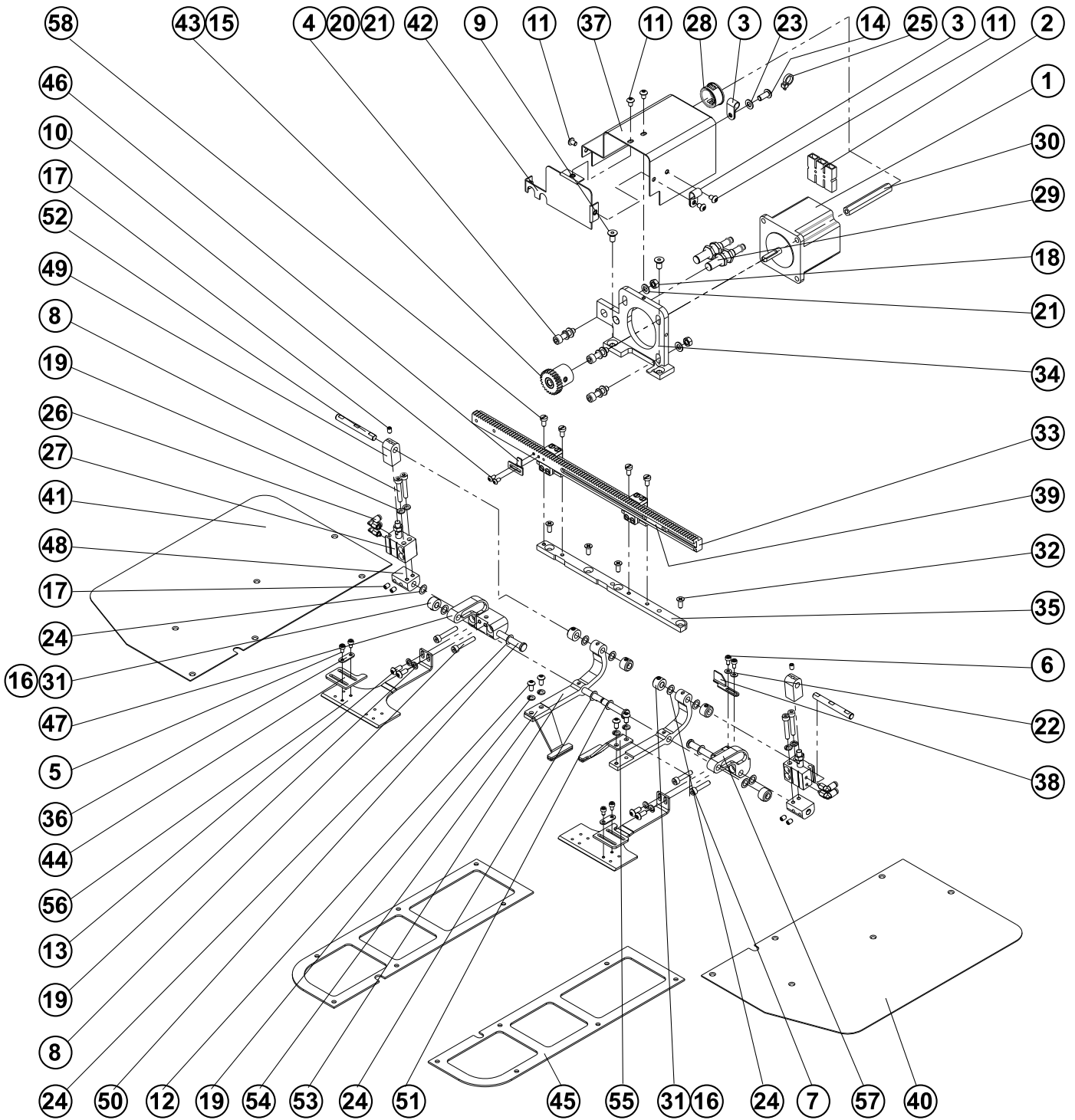
# INDEXER ASSEMBLY



## INDEXER ASSEMBLY

DET	PART NUMBER	DESCRIPTION	QTY.
01	06.1900.0.003	STEP I MOTOR ASSY.	1
02	06.1900.0.008	TERMINAL MOTOR I.	1
03	07.6600.0.004	CLAMP CABLE	2
04	08.6000.5.020	SCREW M5-20	3
05	08.6002.3.005	SCREW M3-5	4
06	08.6002.3.006	SCREW M3-6	2
07	08.6002.4.020	SCREW M4-20	2
08	08.6002.4.025	SCREW M4-25	6
09	08.6102.5.010	SCREW M5-10	2
10	08.6202.3.006	SCREW M3-6	2
11	08.6202.4.006	SCREW M4-6	5
12	08.6202.4.008	SCREW M4-8	4
13	08.6202.4.010	SCREW M4-10	4
14	08.6202.5.012	SCREW M5x12	1
15	08.6400.6.008	SCREW M6-8	1
16	08.6402.4.004	SCREW M4-4	6
17	08.6402.4.006	SCREW M4-6	6
18	08.6700.5.000	NUT M5	2
19	08.6802.4.000	SPRING WASHER M4	12
20	08.6802.5.000	SPRING WASHER M5	3
21	08.6850.5.000	WASHER 5,3	5
22	08.6852.3.000	WASHER M3	2
23	08.6852.5.000	WASHER 5,3	1
24	11.2090.0.000	WASHER	14
25	12.0008.3.023	TY-WRAP	1
26	12.0010.3.072	CONNECTOR	4
27	12.0010.3.178	CYLINDER	2
28	12.0010.4.005	PLUG SNAP	1
29	12.0010.4.025	SENSOR	2
30	12.0010.4.295	DISTANCE NUT M5-60	1
31	12.1050.0.002	CLAMP COLLAR 6	6
32	15.1427.0.100	SCREW M4-10	4
33	15.8001.0.050	CARRIAGE - ASSEMBLY	1
34	15.8005.0.600	MOTOR BRACKET	1
35	15.8006.0.800	HOLDER-BASE	1
36	15.8008.0.800	WASHER	2
37	15.8013.0.800	COVER MOTOR	1
38	15.8017.0.800	SENSOR SHADE	1
39	15.8018.0.600	RIDER	1
40	15.8022.0.800	PLATE - RIGHT	1
41	15.8023.0.800	PLATE - LEFT	1
42	15.8024.0.800	COVER MOTOR	1
43	15.8026.0.500	MOTOR GEAR	1
44	15.8033.0.800	GUIDE	2
45	15.8034.0.800	BEDPLATE SHIM	2
46	15.8035.0.800	SENSOR PLATE LEFT	1
47	15.8040.0.600	INDEXER BASE -LEFT	1
48	15.8041.0.600	CYLINDER HOLDER	2
49	15.8042.0.600	CYLINDER CLEVIS	2
50	15.8043.0.300	STUD	2

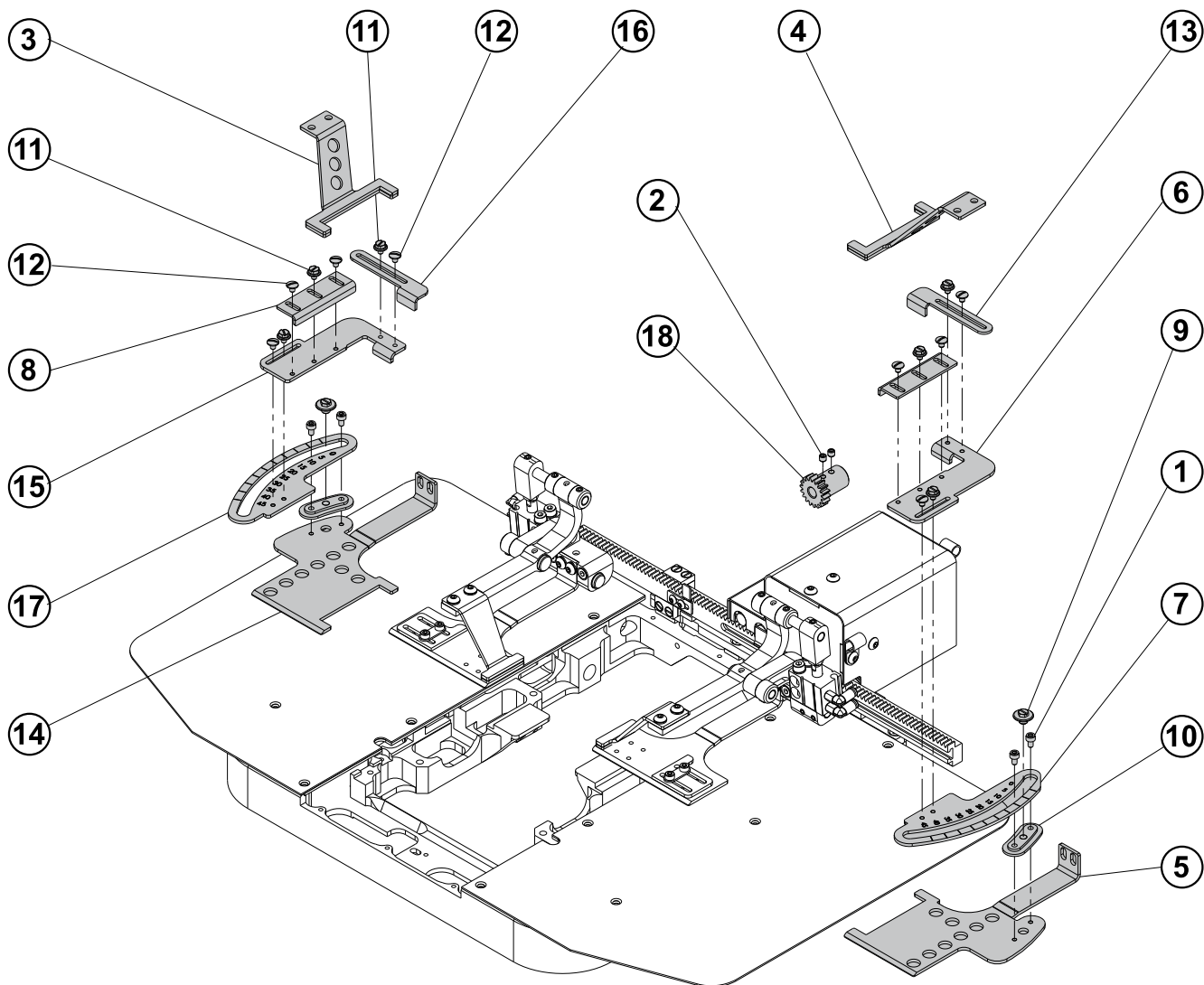
# INDEXER ASSEMBLY





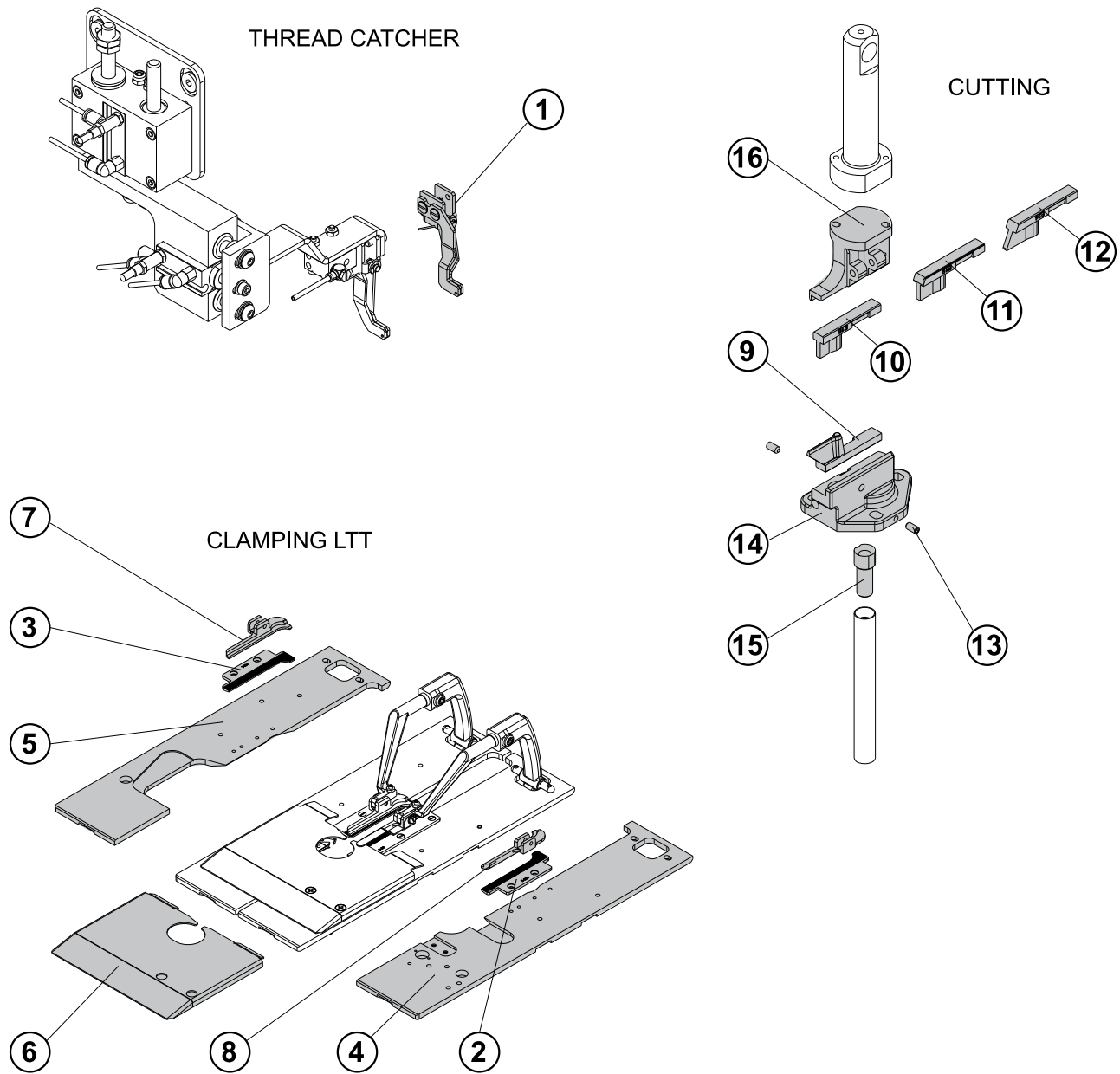


# ANGLE INDEXER - INDEXER ASSEMBLY



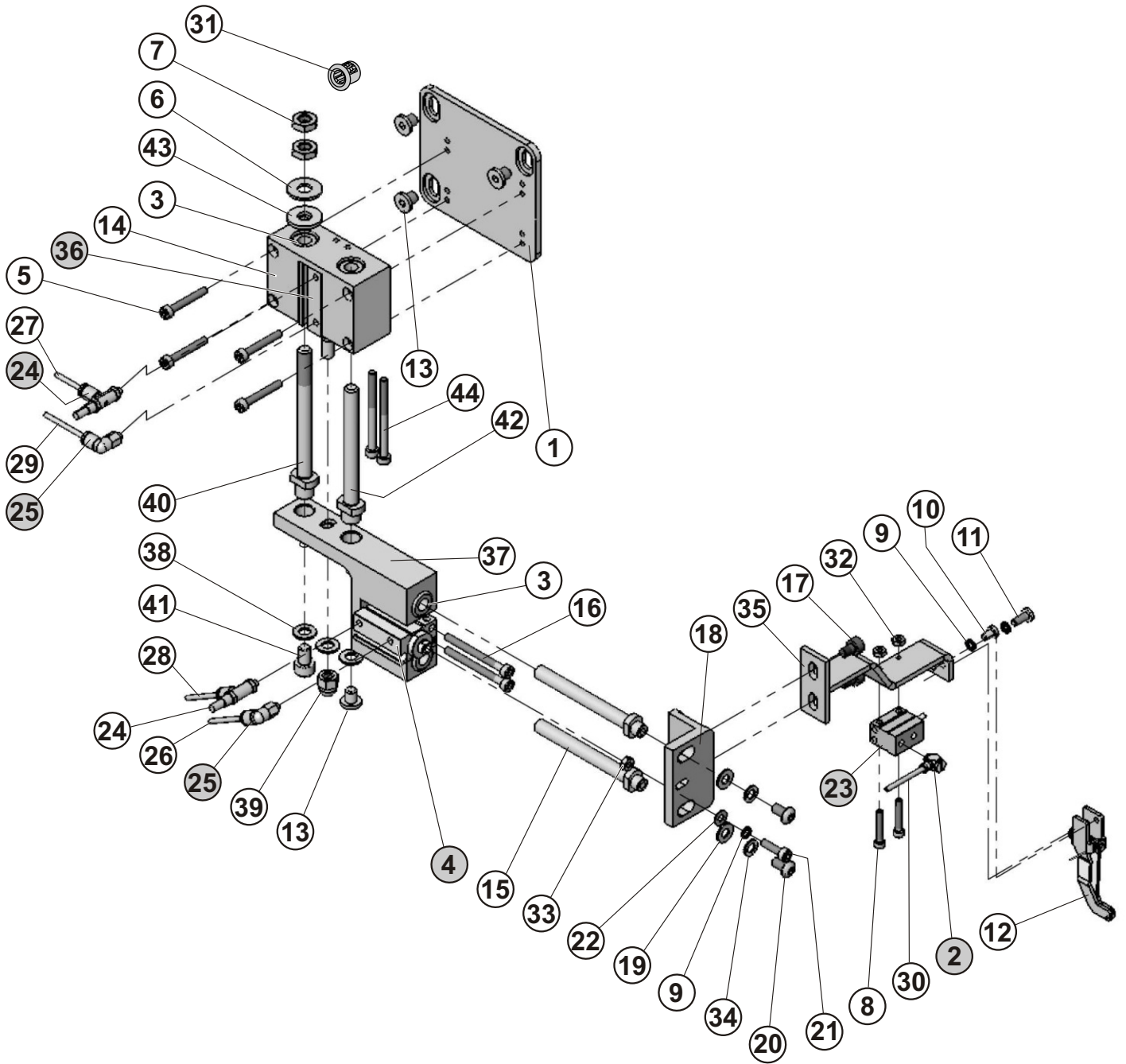


# ANGLE INDEXER





# THREAD CATCHER - ASSEMBLY

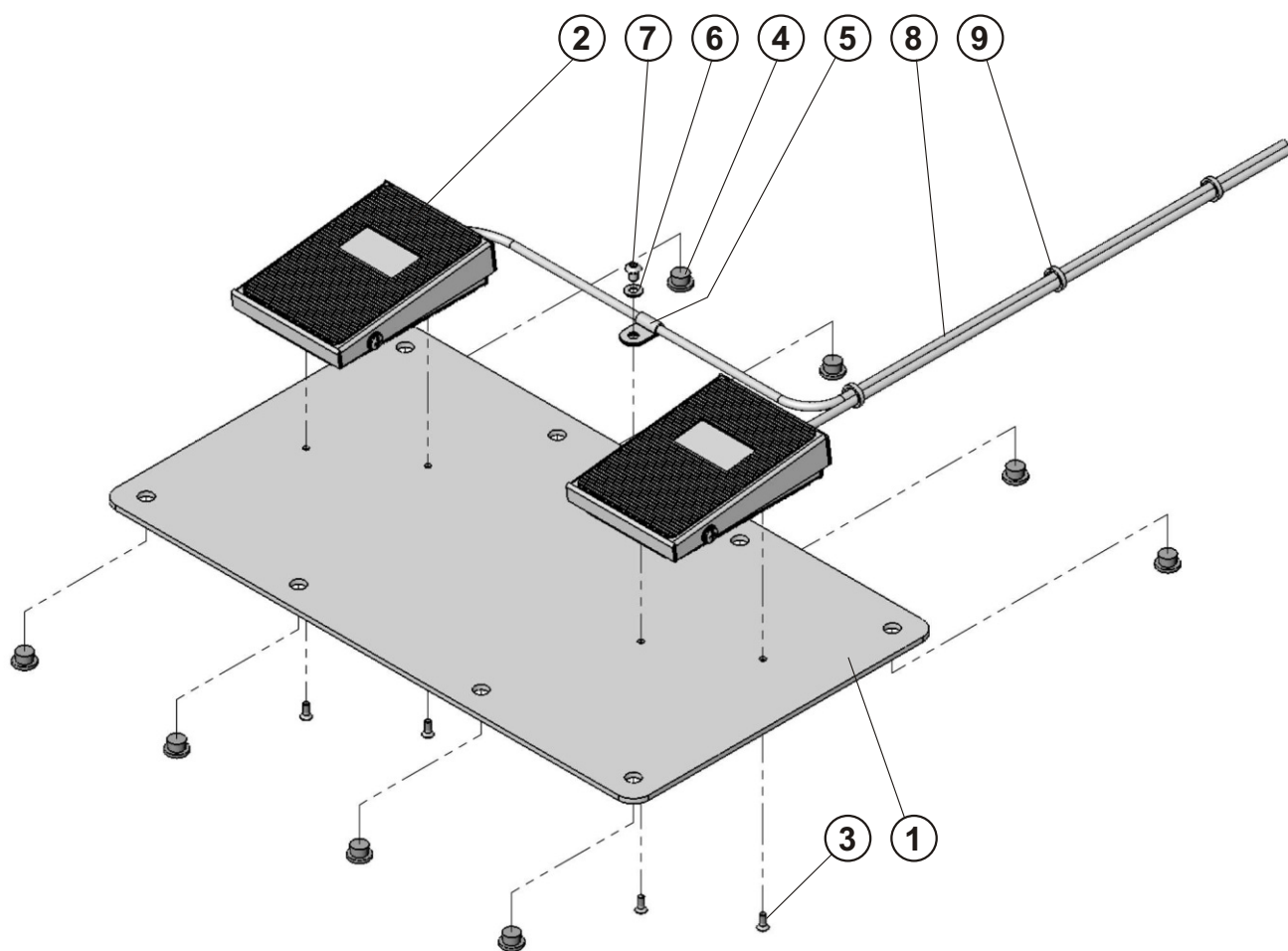


## THREAD CATCHER - ASSEMBLY

DET	PART NUMBER	DESCRIPTION	QTY.
01	15.1501.0.800	THREAD CATCHER BASE	1
02	12.0008.3.826	CONNECTOR	1
03	12.2070.0.020	BEARING	4
04	12.0008.3.631	CYLINDER	1
05	08.6000.3.022	SCREW M3-22	4
06	17.0019.0.230	WASHER	1
07	08.6710.6.000	NUT M6	2
08	08.6000.7.016	SCREW M2,5-16	2
09	08.6802.3.000	SPRING WASHER M3	3
10	15.1422.0.100	SCREW M3-5	1
11	15.1425.0.100	SCREW M3-8	1
12	15.1508.0.050	THREAD CLAMP	1
13	08.6050.5.006	SCREW M5-6	4
14	15.1502.0.600	BLOCK	1
15	15.1504.0.300	STUD	2
16	08.6000.3.035	SCREW M3-35	2
17	08.6000.4.006	SCREW M4-6	2
18	15.1506.0.600	HOLDER	1
19	08.6852.4.000	WASHER M4	2
20	08.6202.4.008	SCREW M4-8	2
21	08.6002.3.014	SCREW M3-14	1
22	08.6852.3.000	WASHER M3	1
23	12.0008.3.630	CYLINDER	1
24	12.0008.3.810	SPEED CONTROLER	2
25	12.0010.3.072	CONNECTOR	2
26	12.0008.3.749	AIR TUBING J11B	1
27	12.0008.3.749	AIR TUBING J10B	1
28	12.0008.3.749	AIR TUBING J11A	1
29	12.0008.3.749	AIR TUBING J10A	1
30	12.0008.3.749	AIR TUBING J12A	1
31	12.0008.4.214	BUSHING	1
32	08.6702.7.000	NUT M2,5	2
33	08.6702.3.000	NUT M3	1
34	08.6802.4.000	SPRING WASHER M4	2
35	15.1507.0.000	HOLDER	1
36	12.0010.3.034	CYLINDER	1
37	15.1505.1.600	BRACKET	1
38	08.6852.5.000	WASHER 5,3	3
39	08.6722.5.000	NUT M5	1
40	15.1503.1.300	STUD	1
41	08.6000.5.008	SCREW M5 x 8	1
42	15.1504.1.300	STUD	1
43	15.1513.0.900	WASHER	1
44	08.6000.3.040	SCREW M3-40	2

PART OF THE KIT PNEU

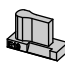
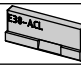
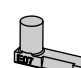
# PEDAL

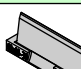
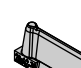







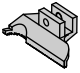
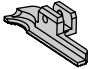
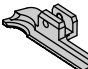

# ACCESSORIES



Cutting steel	Part Number	Length (mm)	AF	AF		CT/CT+I			CT + RDE	LTT	LTT + UFX	RDE	AF +UFX +RDE
				+ UFX	+ I	10 - 22	14 - 26	22 - 35					
	03.7040.0.010	10	○		○	○				○			
	03.7040.0.012	12	○		○	○				○			
	03.7040.0.013	13	○		○	○	○			○			
	03.7040.0.014	14	○		○	●	○			○			
	03.7040.0.016	16	●		●	✓	○			●			
	03.7040.0.018	18	○		○	○	○			○			
	03.7040.0.019	19	✓		✓	●	✓			✓			
	03.7040.0.020	20	○		○	○	●			○			
	03.7040.0.022	22	●		●	○	○	✓		●			
	03.7040.0.024	24	○		○		●	✓		○			
	03.7040.0.026	26	●		●		○	✓		●			
	03.7040.0.029	29	○		○				○	●			
	03.7040.0.032	32	●						○	○			
	03.7040.0.035	35	○		○				✓	○			
	03.7040.0.038	38	○		○					○			
03.7040.0.050	50	○		○					○				
	03.7042.0.030	30		✓							✓	✓	
	03.7042.0.038	38		○							○	○	
	03.7041.0.005	Ø 5							○		○		
	03.7041.0.007	Ø 7							✓		✓		
	03.7041.1.005	Ø 5										○	
	03.7041.1.007	Ø 7										●	

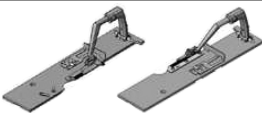
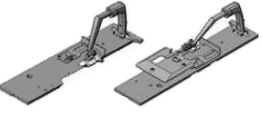
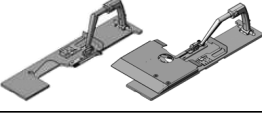

Cutting Knife	Part Number	Eye Stepe (mm)	Max. Cutting Length (mm)	AF	AF		CT			CT + RDE	LTT	LTT + UFX	RDE	AF +UFX +RDE
					+ UFX	+ I	10 - 22	14 - 26	22 - 35					
	03.7039.0.032	-	32	○	○	○	○	○	○		○	○		○
	03.7039.0.038	-	38	○	○	○					○	○		○
	03.7039.0.050	-	50	○	○	○					○	○		○
	03.7030.0.038	2,2 x 3,0	38	○	○	○					○	○		○
	03.7030.0.050	2,2 x 3,0	50	○	○	○					○	○		○
	03.7032.0.030	2,8 x 4,2	30	○	✓	○	○	○	○		○	✓		✓
	03.7032.0.032	2,8 x 4,2	32	○	○	○	○	○	○		○	○		○
	03.7032.0.038	2,8 x 4,2	38	✓	○	✓	✓	✓	✓		✓	○		○
	03.7032.0.050	2,8 x 4,2	50	○	○	○					○	○		○
	03.7033.0.032	3,0 x 4,6	32	○	○	○	○	○	○		○	○		○
	03.7033.0.038	3,0 x 4,6	38	○	○	○					○	○		○
	03.7033.0.050	3,0 x 4,6	50	○	○	○					○	○		○
	03.7034.0.026	3,2 x 5,0	26	○	○	○	○	○	○		○	○		○
	03.7034.0.030	3,2 x 5,0	30	○	○	○	○	○	○		○	○		○
	03.7034.0.038	3,2 x 5,0	38	●	○	●					○	○		○
	03.7034.0.050	3,2 x 5,0	50	○	○	○					○	○		○
	03.7035.0.030	3,4 x 4,2	30	○	●	○	○	○	○		○	●		●
	03.7035.0.038	3,4 x 4,2	38	●	○	●					●	○		○
03.7035.0.050	3,4 x 4,2	50	○	○	○					○	○		○	
	17.0042.6.087	Ø 1,5								○			○	○
	17.0042.6.088	Ø 2								●			●	●
	17.0042.6.089	Ø 2,5								○			○	○
	17.0042.6.090	Ø 3								●			●	●
	17.0042.6.086	Ø 3,5								○			○	○
	17.0042.6.082	Ø 4								○			○	○
	17.0042.6.083	Ø 5								✓			✓	●
	17.0042.6.084	Ø 6								●			●	●
17.0042.6.085	Ø 7								●			●	●	

✓	FACTORY SET UP
●	STANDARD ACCESSORY
○	OPTIONAL ACCESSORY

# ACCESSORIES

Clamp Foot	Part Number (Right / left)	Length (mm)	Width (mm)	AF	AF		CT			CT + I	CT + RDE	LTT	LTT + UFX	RDE	AF + UFX + RDE
					+ UFX	+ I	10 - 22	14 - 26	22 - 35	14 - 26					
	03.7061.0.028 / 128	28	1,5												
	19.0066.7.416 / 417	24	2,9												
	19.0066.7.418 / 419	32	2,9								✓				
	19.0066.7.420 / 421	36	2,9	✓	✓	✓						✓			
	19.0066.7.422 / 423	40	6,5									✓			
	03.7068.0.040 / 140	40	6,5										✓		
	03.7068.0.040 / 140	40	6,5										○		
	03.7069.0.040 / 140	40	6,5									○			
	03.7069.0.026 / 126	26						✓		✓					
	03.7069.0.020 / 120	20						✓							
	03.7067.0.105	∅5												○	○
	03.7067.0.108	∅8												✓	●

Clamp Mat	Part Number (Right / left)	Length (mm)	Width (mm)	AF	AF		CT			CT + I	CT + RDE	LTT	LTT + UFX	RDE	AF + UFX + RDE
					+ UFX	+ I	10 - 22	14 - 26	22 - 35	14 - 26					
	03.7050.1.002 / 001			✓	✓	✓									
	03.7050.0.004 / 003														
	03.7050.1.008 / 007											✓			
	03.7050.0.010 / 009										✓				
	03.7050.0.012 / 011								✓						
	03.7050.1.013 / 014												✓		
	03.7050.0.006 / 005								✓		✓				
	03.7050.0.017	∅5												○	○
	03.7050.0.018	∅8												✓	●

Clamping assembly	Part Number		AF	CT			LTT	LTT + UFX	RDE	AF + UFX + RDE
	Left	Right		10 - 22	14 - 26	22 - 35				
	15.2501.0.050	15.2502.0.050	✓							✓
	15.2601.0.050	15.2602.0.050			✓					
	15.2621.0.050	15.2622.0.050				✓				
	15.2631.0.050	15.2630.0.050		✓						
	15.2701.0.050	15.2702.0.050					✓			
	15.2701.0.051	15.2702.1.051						✓		
	15.2820.0.050								✓	●

✓	FACTORY SET UP
●	STANDARD ACCESSORY
○	OPTIONAL ACCESSORY



**INDEX**

PART NUMBER	PAGE	DET	QTY	PART NUMBER	PAGE	DET	QTY	PART NUMBER	PAGE	DET	QTY
01.2056.1.000	3-53	2	1	03.7040.0.026	3-53	14	1	07.0000.0.024	3-17	2	6
01.2056.1.000	3-57	6	1	03.7040.0.029	3-69	17	1	07.6600.0.004	3-17	27	1
01.2056.1.000	3-69	4	1	03.7040.0.032	3-53	15	1	07.6600.0.004	3-87	3	2
01.2056.1.000	3-71	6	1	03.7040.1.016	3-93	10	1	07.6600.0.004	3-59	18	3
01.2056.1.000	3-83	9	1	03.7040.1.019	3-93	11	1	08.6000.0.090	3-37	13	2
01.4549.0.000	3-13	55	(3)	03.7040.1.024	3-93	12	1	08.6000.3.004	3-61	25	(1)
01.5062.0.000	3-61	22	(1)	03.7041.0.007	3-83	4	1	08.6000.3.004	3-65	25	(1)
01.5062.0.000	3-65	22	(1)	03.7042.0.030	3-71	16	1	08.6000.3.005	3-59	15	1
01.5683.0.000	3-29	68	1	03.7050.0.005	3-65	6	((1))	08.6000.3.005	3-23	14	2
01.6551.0.000	3-11	40	(1)	03.7050.0.006	3-65	23	(1)	08.6000.3.005	3-27	33	4
01.7447.1.000	3-11	44	(1)	03.7050.0.017	3-85	1	1	08.6000.3.005	3-73	23	5
01.7622.0.000	3-73	13	2	03.7050.0.025	3-61	6	((1))	08.6000.3.006	3-25	11	2
01.7804.0.000	3-9	5	1	03.7050.0.026	3-61	23	(1)	08.6000.3.006	3-31	3	2
01.7805.0.000	3-9	13	2	03.7050.1.001	3-55	17	((1))	08.6000.3.006	3-33	10	2
01.7805.0.000	3-35	1	3	03.7050.1.002	3-55	18	((1))	08.6000.3.006	3-73	28	2
02.0579.1.111	3-7	28	(1)	03.7050.1.007	3-79	5	((1))	08.6000.3.006	3-39	14	3
02.0579.1.111	3-51	9	5	03.7050.1.008	3-81	55	((1))	08.6000.3.006	3-3	6	4
03.5515.0.009	3-69	19	1	03.7050.1.013	3-79	5	((1))	08.6000.3.006	3-3	29	(4)
03.5515.0.009	3-71	13	1	03.7050.1.014	3-81	55	((1))	08.6000.3.008	3-21	19	1
03.5515.0.017	3-11	34	1	03.7067.0.105	3-85	2	1	08.6000.3.008	3-73	32	1
03.5515.0.037	3-77	1	1	03.7068.0.040	3-81	58	((1))	08.6000.3.008	3-25	13	2
03.7011.0.000	3-29	58	1	03.7068.0.140	3-79	12	((1))	08.6000.3.008	3-81	54	((2))
03.7011.0.100	3-29	59	1	03.7069.0.020	3-61	24	(1)	08.6000.3.008	3-33	35	(1)
03.7020.0.317	3-53	3	1	03.7069.0.026	3-65	24	(1)	08.6000.3.010	3-17	25	4
03.7020.0.317	3-69	3	1	03.7069.0.120	3-61	21	((1))	08.6000.3.010	3-73	25	4
03.7020.0.317	3-71	5	1	03.7069.0.126	3-65	21	((1))	08.6000.3.020	3-41	27	2
03.7021.0.319	3-57	8	1	04.9015.0.000	3-49	1	1	08.6000.3.022	3-95	5	4
03.7032.0.030	3-71	14	1	04.9015.0.361	3-97	1	1	08.6000.3.030	3-33	37	(2)
03.7032.0.038	3-69	12	1	04.9015.0.362	3-49	4	4	08.6000.3.035	3-95	16	2
03.7032.0.038	3-53	8	1	04.9015.0.363	3-49	12	4	08.6000.3.040	3-95	44	2
03.7032.0.038	3-57	19	1	04.9015.0.900	3-49	11	1	08.6000.3.050	3-15	9	2
03.7034.0.038	3-53	9	1	05.0043.1.000	3-41	35	1	08.6000.3.050	3-43	16	2
03.7034.1.024	3-93	9	1	05.1322.0.000	3-41	9	1	08.6000.4.005	3-21	16	2
03.7035.0.030	3-71	15	1	05.1322.0.000	3-51	5	1	08.6000.4.006	3-31	9	1
03.7035.0.038	3-69	13	1	06.0120.0.000	3-41	31	1	08.6000.4.006	3-39	16	1
03.7035.0.038	3-53	10	1	06.1500.0.022	3-23	2	1	08.6000.4.006	3-37	9	2
03.7040.0.016	3-69	14	1	06.1500.0.023	3-25	19	1	08.6000.4.006	3-95	17	2
03.7040.0.016	3-53	11	1	06.1500.0.025	3-97	8	1	08.6000.4.006	3-17	31	3
03.7040.0.019	3-69	20	1	06.1500.0.064	3-73	22	1	08.6000.4.008	3-9	19	1
03.7040.0.019	3-53	12	1	06.1900.0.003	3-87	1	1	08.6000.4.008	3-43	20	2
03.7040.0.019	3-57	20	1	06.1900.0.008	3-87	2	1	08.6000.4.008	3-59	11	2
03.7040.0.020	3-57	21	1	06.8015.0.001	3-47	20	1	08.6000.4.008	3-75	8	2
03.7040.0.022	3-69	15	1	06.8015.0.002	3-47	21*	1	08.6000.4.008	3-17	6	4
03.7040.0.022	3-53	13	1	06.8015.0.002	3-47	21**	1	08.6000.4.010	3-23	21	1
03.7040.0.024	3-57	22	1	06.8015.0.004	3-47	6	1	08.6000.4.010	3-9	39	(8)
03.7040.0.026	3-69	16	1	07.0000.0.024	3-23	1	4	08.6000.4.012	3-23	11	1

**INDEX**

PART NUMBER	PAGE	DET	QTY	PART NUMBER	PAGE	DET	QTY	PART NUMBER	PAGE	DET	QTY
08.6000.4.012	3-41	29	2	08.6000.8.090	3-37	12	2	08.6202.4.006	3-87	11	5
08.6000.4.012	3-21	11	4	08.6000.8.420	3-9	23	4	08.6202.4.008	3-95	20	2
08.6000.4.012	3-5	7	(2)	08.6002.3.005	3-87	5	4	08.6202.4.008	3-87	12	4
08.6000.4.012	3-9	42	(2)	08.6002.3.005	3-91	1	4	08.6202.4.010	3-9	36	2
08.6000.4.014	3-15	19	2	08.6002.3.006	3-87	6	2	08.6202.4.010	3-87	13	4
08.6000.4.016	3-73	27	1	08.6002.3.014	3-95	21	1	08.6202.5.012	3-87	14	1
08.6000.4.035	3-17	47	2	08.6002.3.030	3-31	34**	(2)	08.6202.8.016	3-49	7	4
08.6000.5.008	3-95	41	1	08.6002.4.012	3-37	6	2	08.6310.3.016	3-29	54	2
08.6000.5.008	3-11	18	2	08.6002.4.012	3-81	42	((1))	08.6310.4.006	3-35	17	1
08.6000.5.008	3-75	6	2	08.6002.4.020	3-87	7	2	08.6310.5.012	3-11	27	2
08.6000.5.008	3-59	8	3	08.6002.4.025	3-87	8	6	08.6310.6.012	3-11	36	1
08.6000.5.010	3-35	11	1	08.6010.3.005	3-81	46	((1))	08.6310.6.035	3-23	32	(1)
08.6000.5.010	3-9	26	2	08.6010.5.012	3-17	18	4	08.6400.3.004	3-35	31	(4)+(4)
08.6000.5.010	3-39	18	2	08.6012.7.006	3-85	15	2	08.6400.3.005	3-7	13	(2)
08.6000.5.010	3-73	29	2	08.6017.3.003	3-81	61	((2))	08.6400.3.010	3-27	22	1
08.6000.5.010	3-25	08	11	08.6032.3.008	3-23	20	2	08.6400.4.004	3-9	31	1
08.6000.5.012	3-35	15	1	08.6032.3.016	3-31	21**	1	08.6400.4.004	3-15	30	1
08.6000.5.012	3-43	13*	1	08.6050.4.006	3-17	35	2	08.6400.4.004	3-33	5	1
08.6000.5.012	3-41	6	2	08.6050.4.006	3-85	16	2	08.6400.4.004	3-73	26	2
08.6000.5.012	3-43	13	3	08.6050.4.006	3-61	20	((2))	08.6400.4.004	3-91	2	2
08.6000.5.012	3-77	8	(1)	08.6050.4.006	3-65	20	((2))	08.6400.4.004	3-5	17	3
08.6000.5.012	3-23	30	(2)	08.6050.4.006	3-55	15	((2)+(2))	08.6400.4.004	3-5	8	(1)
08.6000.5.012	3-33	20	3	08.6050.4.006	3-79	9	((2)+(2))	08.6400.4.005	3-35	39	(1)
08.6000.5.016	3-27	37	1	08.6050.4.006	3-23	28	(1)	08.6400.4.006	3-15	22	1
08.6000.5.016	3-25	10	3	08.6050.4.006	3-61	26	(3)	08.6400.4.006	3-3	3	2
08.6000.5.016	3-25	22	3	08.6050.4.006	3-65	26	(3)	08.6400.4.006	3-5	3	(1)
08.6000.5.016	3-33	16	4	08.6050.5.006	3-11	24	1	08.6400.4.008	3-93	13	2
08.6000.5.016	3-43	28	4	08.6050.5.006	3-17	33	4	08.6400.4.010	3-17	39	1
08.6000.5.016	3-35	41	(1)	08.6050.5.006	3-95	13	4	08.6400.4.010	3-33	42*	1
08.6000.5.016	3-33	19	1	08.6050.5.008	3-13	51	(3)	08.6400.5.005	3-9	25	1
08.6000.5.020	3-11	4	1	08.6050.5.010	3-25	12	2	08.6400.5.005	3-39	12	1
08.6000.5.020	3-59	13	1	08.6100.3.006	3-27	19	3	08.6400.5.005	3-13	61	(2)+(3)
08.6000.5.020	3-75	10	1	08.6100.3.006	3-73	24	6	08.6400.5.008	3-27	5	1
08.6000.5.020	3-87	4	3	08.6100.3.008	3-97	3	4	08.6400.5.008	3-35	6	1
08.6000.5.020	3-21	4	4	08.6100.5.016	3-23	12	1	08.6400.5.008	3-5	24	2
08.6000.5.020	3-23	6	4	08.6102.5.010	3-87	9	2	08.6400.5.008	3-35	40	(1)
08.6000.5.022	3-33	33	1	08.6112.3.005	3-61	27	(3)	08.6400.5.010	3-9	48	(1)
08.6000.5.025	3-9	51	(1)	08.6112.3.005	3-65	27	(3)	08.6400.5.305	3-35	43	(1)
08.6000.5.025	3-77	3	(2)	08.6112.3.006	3-85	19	3	08.6400.6.006	3-35	8	1
08.6000.6.016	3-37	11	2	08.6200.3.005	3-29	52	2	08.6400.6.006	3-23	8	2
08.6000.6.016	3-35	22	4	08.6200.4.006	3-29	46	1	08.6400.6.006	3-21	6	6
08.6000.6.016	3-13	63	(1)	08.6200.4.006	3-59	9	2	08.6400.6.006	3-9	49	(1)
08.6000.6.020	3-21	22	2	08.6200.4.006	3-75	7	2	08.6400.6.006	3-35	42	(1)+(1)
08.6000.6.020	3-13	62	(3)	08.6202.3.006	3-87	10	2	08.6400.6.008	3-87	15	1
08.6000.6.030	3-11	32	1	08.6202.4.006	3-97	7	1	08.6400.6.018	3-41	12	2
08.6000.7.016	3-95	8	2	08.6202.4.006	3-41	37	2	08.6400.6.030	3-35	16	1

**INDEX**

PART NUMBER	PAGE	DET	QTY	PART NUMBER	PAGE	DET	QTY	PART NUMBER	PAGE	DET	QTY
08.6400.8.416	3-13	57	(1)	08.6702.7.000	3-95	32	2	08.6832.4.000	3-43	19	2
08.6402.3.010	3-55	25	((1)+(1))	08.6710.3.000	3-27	23	3	08.6832.5.000	3-43	14*	1
08.6402.4.004	3-87	16	6	08.6710.3.000	3-79	17	((1)+(1))	08.6832.5.000	3-43	14	11
08.6402.4.006	3-87	17	6	08.6710.6.000	3-95	7	2	08.6850.3.000	3-21	18	1
08.6402.6.006	3-85	17	1	08.6710.9.500	3-41	15	1	08.6850.3.000	3-59	16	1
08.6402.6.006	3-55	28	((1)+(1))	08.6712.3.000	3-61	14	((1))	08.6850.3.000	3-73	31	1
08.6412.3.010	3-61	13	((1))	08.6712.3.000	3-65	14	((1))	08.6850.3.000	3-41	25	2
08.6412.3.010	3-65	13	((1))	08.6712.3.000	3-55	26	((1)+(1))	08.6850.3.000	3-39	15	3
08.6412.3.010	3-61	28	(1)	08.6712.3.000	3-61	32	(1)	08.6850.4.000	3-9	33	1
08.6412.3.010	3-65	28	(1)	08.6712.3.000	3-65	30	(1)	08.6850.4.000	3-29	47	1
08.6412.3.012	3-79	16	((1)+(1))	08.6712.3.000	3-31	32	(2)	08.6850.4.000	3-35	24	1
08.6412.6.005	3-61	12	((1))	08.6712.3.000	3-31	32*	(3)	08.6850.4.000	3-41	30	2
08.6412.6.005	3-65	12	((1))	08.6712.4.000	3-81	44	((2))	08.6850.4.000	3-59	12	2
08.6412.6.005	3-79	18	((1)+(1))	08.6712.5.000	3-15	18	1	08.6850.4.000	3-75	9	2
08.6412.6.005	3-61	29	(1)	08.6722.5.000	3-95	39	1	08.6850.4.000	3-21	14	4
08.6412.6.005	3-65	29	(1)	08.6722.6.000	3-23	34	(1)	08.6850.4.000	3-17	21	15
08.6420.4.025	3-35	23	1	08.6732.5.000	3-77	5	(2)	08.6850.5.000	3-9	34	1
08.6420.4.030	3-11	29	1	08.6733.3.000	3-31	36**	(2)	08.6850.5.000	3-35	26	1
08.6490.4.009	3-61	30	(1)	08.6733.3.000	3-31	23**	1	08.6850.5.000	3-39	19	2
08.6490.4.009	3-67	60	(1)	08.6742.8.000	3-49	3	4	08.6850.5.000	3-75	12	2
08.6662.3.006	3-49	21	(1)	08.6800.3.000	3-73	30	1	08.6850.5.000	3-11	2	3
08.6663.5.025	3-49	23	(2)	08.6800.3.000	3-41	26	2	08.6850.5.000	3-59	17	3
08.6683.4.007	3-45	3	2	08.6800.5.000	3-31	13**	1	08.6850.5.000	3-21	2	4
08.6700.3.000	3-57	16	1	08.6800.5.000	3-39	17	2	08.6850.5.000	3-23	4	4
08.6700.3.000	3-59	10	1	08.6800.5.000	3-21	3	4	08.6850.5.000	3-87	21	5
08.6700.3.000	3-43	18	2	08.6800.5.000	3-23	5	4	08.6850.5.000	3-25	09	8
08.6700.4.000	3-11	30	1	08.6800.6.000	3-11	39	1	08.6850.5.000	3-9	50	(1)
08.6700.4.000	3-35	25	1	08.6802.0.000	3-49	15	8	08.6850.5.000	3-23	31	(2)
08.6700.4.000	3-33	36	(1)	08.6802.3.000	3-15	27	1	08.6850.5.000	3-33	21	3
08.6700.5.000	3-43	15*	1	08.6802.3.000	3-95	9	3	08.6850.6.000	3-21	21	2
08.6700.5.000	3-59	14	1	08.6802.3.000	3-31	27*	(2)	08.6850.6.000	3-35	21	3
08.6700.5.000	3-75	11	1	08.6802.4.000	3-95	34	2	08.6850.8.000	3-9	22	4
08.6700.5.000	3-87	18	2	08.6802.4.000	3-87	19	12	08.6852.0.000	3-49	5	4
08.6700.5.000	3-43	15	7	08.6802.4.000	3-31	37**	(1)	08.6852.0.000	3-49	14	4
08.6700.5.000	3-77	9	(1)	08.6802.4.000	3-5	6	(2)	08.6852.3.000	3-27	39	1
08.6700.6.000	3-11	38	1	08.6802.5.000	3-11	3	1	08.6852.3.000	3-95	22	1
08.6700.6.000	3-23	33	(1)	08.6802.5.000	3-87	20	3	08.6852.3.000	3-15	24	2
08.6700.6.300	3-23	29	(1)	08.6802.5.000	3-31	30	(2)	08.6852.3.000	3-23	19	2
08.6700.8.000	3-13	60	(1)	08.6802.6.000	3-11	33	1	08.6852.3.000	3-87	22	2
08.6702.0.000	3-49	6	8	08.6802.8.300	3-11	16	1	08.6852.3.000	3-7	38	(2)
08.6702.2.000	3-81	52	((2))	08.6832.3.000	3-43	17	2	08.6852.3.000	3-31	35**	(2)
08.6702.3.000	3-95	33	1	08.6832.3.000	3-61	16	((1))	08.6852.3.000	3-31	22**	1
08.6702.4.000	3-85	18	2	08.6832.3.000	3-65	16	((1))	08.6852.4.000	3-97	6	1
08.6702.4.000	3-61	31	(1)	08.6832.3.000	3-79	14	((1)+(1))	08.6852.4.000	3-37	22	2
08.6702.4.000	3-67	63	(1)	08.6832.3.000	3-61	33	(1)	08.6852.4.000	3-41	36	2
08.6702.5.000	3-15	12	1	08.6832.3.000	3-65	31	(1)	08.6852.4.000	3-95	19	2

## INDEX

PART NUMBER	PAGE	DET	QTY	PART NUMBER	PAGE	DET	QTY	PART NUMBER	PAGE	DET	QTY
08.6852.4.000	3-61	34	(1)	12.0008.3.431	3-33	7	1	12.0008.3.895	3-43	7	1
08.6852.4.000	3-67	66	(1)	12.0008.3.431	3-33	8	1	12.0008.3.897	3-43	29*	1
08.6852.5.000	3-15	33	1	12.0008.3.431	3-33	13	1	12.0008.3.899	3-59	26	1
08.6852.5.000	3-87	23	1	12.0008.3.431	3-33	14	1	12.0008.4.050	3-47	5	1
08.6852.5.000	3-95	38	3	12.0008.3.431	3-33	31	1	12.0008.4.052	3-37	21	1
08.6852.5.000	3-31	28	(2)	12.0008.3.431	3-45	12	1	12.0008.4.100	3-23	18	2
08.6852.5.000	3-77	4	(2)	12.0008.3.445	3-43	33	1	12.0008.4.214	3-95	31	1
08.6852.8.000	3-49	26	4	12.0008.3.563	3-57	3	1	12.0008.4.214	3-3	27	(1)
08.6887.0.500	3-11	21	1	12.0008.3.615	3-43	23*	1	12.0008.4.222	3-37	20	1
08.6887.0.501	3-29	65	1	12.0008.3.630	3-95	23	1	12.0008.4.277	3-97	5	1
08.6887.5.000	3-29	60	1	12.0008.3.631	3-95	4	1	12.0008.4.280	3-19	53	2
10.1010.3.000	3-15	17	1	12.0008.3.661	3-45	2	1	12.0008.4.280	3-75	18	2
10.1021.2.000	3-7	12	(2)	12.0008.3.739	3-19	60	2	12.0008.4.290	3-97	9	3
10.4012.2.019	3-83	10	1	12.0008.3.741	3-43	08*	2	12.0008.4.571	3-3	18	1
11.2090.0.000	3-87	24	14	12.0008.3.745	3-33	11	1	12.0008.4.612	3-47	1	1
12.0008.3.023	3-17	43	1	12.0008.3.747	3-33	12	1	12.0008.4.615	3-47	2	1
12.0008.3.023	3-87	25	1	12.0008.3.749	3-95	26	1	12.0008.4.664	3-47	4	4
12.0008.3.023	3-33	32	1	12.0008.3.749	3-95	27	1	12.0008.4.665	3-47	3	2
12.0008.3.413	3-31	42**	(1)	12.0008.3.749	3-95	28	1	12.0008.4.682	3-47	18*	1
12.0008.3.416	3-15	34	1	12.0008.3.749	3-95	29	1	12.0008.4.761	3-47	7	2
12.0008.3.416	3-15	35	1	12.0008.3.749	3-95	30	1	12.0008.4.770	3-47	13	2
12.0008.3.416	3-17	48	1	12.0008.3.785	3-43	24*	1	12.0008.4.777	3-37	16	4
12.0008.3.416	3-17	49	1	12.0008.3.792	3-43	6	1	12.0008.4.833	3-47	9	1
12.0008.3.416	3-17	50	1	12.0008.3.806	3-13	59	(1)	12.0008.4.898	3-47	17*	1
12.0008.3.416	3-19	51	1	12.0008.3.810	3-95	24	2	12.0008.4.862	3-3	24	1
12.0008.3.416	3-19	54	1	12.0008.3.816	3-33	39	(1)	12.0008.6.001	3-51	2	1
12.0008.3.416	3-31	10**	1	12.0008.3.820	3-33	4	2	12.0008.6.005	3-51	1	1
12.0008.3.416	3-31	17**	1	12.0008.3.826	3-95	2	1	12.0008.6.215	3-51	3	1
12.0008.3.416	3-31	18**	1	12.0008.3.828	3-77	12	1	12.0008.6.230	3-41	14	1
12.0008.3.416	3-31	20**	1	12.0008.3.828	3-45	7	3	12.0008.6.812	3-41	10	1
12.0008.3.416	3-59	21	1	12.0008.3.829	3-45	6	1	12.0008.6.901	3-49	8	1
12.0008.3.416	3-59	22	1	12.0008.3.830	3-45	5	1	12.0008.6.968	3-51	8	1
12.0008.3.416	3-59	23	1	12.0008.3.831	3-45	4	1	12.0008.6.977	3-33	34	1
12.0008.3.416	3-59	24	1	12.0008.3.841	3-17	36	2	12.0008.6.992	3-3	13	1
12.0008.3.416	3-59	25	1	12.0008.3.841	3-17	38	2	12.0008.6.998	3-41	5	1
12.0008.3.416	3-75	13	1	12.0008.3.844	3-39	10	1	12.0010.3.001	3-31	33**	(1)
12.0008.3.416	3-75	14	1	12.0008.3.845	3-51	4	1	12.0010.3.027	3-75	17	2
12.0008.3.416	3-75	15	1	12.0008.3.846	3-43	21	1	12.0010.3.027	3-59	20	3
12.0008.3.416	3-75	16	1	12.0008.3.849	3-43	22*	1	12.0010.3.027	3-33	26	(2)
12.0008.3.416	3-77	10	—	12.0008.3.852	3-43	02*	1	12.0010.3.028	3-17	30	2
12.0008.3.416	3-77	11	—	12.0008.3.854	3-43	9	1	12.0010.3.028	3-59	19	2
12.0008.3.418	3-43	12	1	12.0008.3.855	3-43	25*	1	12.0010.3.028	3-75	20	2
12.0008.3.426	3-17	29	1	12.0008.3.856	3-45	8	2	12.0010.3.028	3-31	44**	(1)
12.0008.3.431	3-43	30	1	12.0008.3.857	3-45	9	2	12.0010.3.028	3-77	6	(2)
12.0008.3.431	3-43	31	1	12.0008.3.858	3-45	10	1	12.0010.3.033	3-31	15**	1
12.0008.3.431	3-43	32*	1	12.0008.3.859	3-43	27*	1	12.0010.3.034	3-95	36	1



**INDEX**

PART NUMBER	PAGE	DET	QTY	PART NUMBER	PAGE	DET	QTY	PART NUMBER	PAGE	DET	QTY
12.0010.3.035	3-59	28	1	12.0010.4.200	3-47	22	1	12.3011.0.011	3-27	26	1
12.0010.3.035	3-75	19	1	12.0010.4.295	3-87	30	1	12.3015.7.016	3-29	63	1
12.0010.3.036	3-15	8	2	12.0010.6.901	3-37	19	1	12.3015.7.016	3-73	15	5
12.0010.3.037	3-19	52	1	12.0010.6.902	3-3	10	3	12.3015.7.016	3-13	52	(1)
12.0010.3.037	3-31	19**	1	12.0010.6.903	3-3	11	1	12.4010.0.004	3-49	10	8
12.0010.3.037	3-75	21	1	12.0010.6.904	3-3	12	1	12.4030.0.514	3-9	20	1
12.0010.3.037	3-59	27	2	12.0010.6.905	3-3	23	1	12.4030.0.514	3-35	10	1
12.0010.3.039	3-77	2	(1)	12.0010.6.906	3-41	16	2	12.5050.2.019	3-25	18	1
12.0010.3.072	3-95	25	2	12.0010.6.907	3-3	39	1	12.5050.2.021	3-25	17	1
12.0010.3.072	3-87	26	4	12.1010.0.030	3-5	16	4	12.5050.2.026	3-11	26	1
12.0010.3.099	3-43	11	2	12.1010.0.430	3-17	34	2	12.5050.2.027	3-9	28	1
12.0010.3.106	3-43	26*	1	12.1010.2.027	3-35	30	(2)+(2)	12.5050.2.028	3-35	18	1
12.0010.3.106	3-33	30	1	12.1010.3.001	3-37	14	2	12.8000.0.436	3-3	32	(1)
12.0010.3.113	3-31	14**	1	12.1016.0.000	3-3	16	2	12.8000.0.437	3-37	17	2
12.0010.3.113	3-31	38**	(1)	12.1016.0.000	3-41	21	2	12.8000.0.437	3-5	2	(2)
12.0010.3.116	3-43	10	3	12.1040.1.002	3-11	9	2	12.8000.0.437	3-3	41	2
12.0010.3.142	3-43	8	5	12.1040.1.002	3-25	15	3	12.8000.0.438	3-41	24	1
12.0010.3.151	3-43	3	1	12.1040.1.011	3-7	32	(2)	12.8000.1.032	3-3	15	1
12.0010.3.153	3-43	2	3	12.1040.1.012	3-29	66	1	12.8000.1.037	3-41	22	1
12.0010.3.154	3-43	5	1	12.1045.0.004	3-61	19	((2))	12.9900.9.000	3-49	25	1
12.0010.3.155	3-43	4	1	12.1045.0.004	3-65	19	((2))	14.1025.3.000	3-7	7	(2)
12.0010.3.156	3-17	15	2	12.1045.0.004	3-79	10	((2)+(2))	14.1032.3.000	3-7	19	(1)
12.0010.3.178	3-87	27	2	12.1045.0.004	3-61	35	(2)	15.1001.1.700	3-3	1	1
12.0010.4.005	3-37	15	1	12.1045.0.004	3-65	32	(2)	15.1101.0.300	3-9	7	1
12.0010.4.005	3-87	28	1	12.1045.0.005	3-85	14	2	15.1102.0.600	3-9	8	1
12.0010.4.025	3-21	20	1	12.1045.0.005	3-55	14	((2)+(2))	15.1103.0.800	3-39	1	1
12.0010.4.025	3-23	17	1	12.1045.0.009	3-25	16	1	15.1104.0.991	3-39	2	1
12.0010.4.025	3-87	29	2	12.1045.0.009	3-7	34	(1)	15.1108.0.400	3-9	16	1
12.0010.4.067	3-47	19	1	12.1050.0.001	3-9	15	1	15.1110.0.050	3-9	30	1
12.0010.4.071	3-47	8	1	12.1050.0.001	3-35	7	2	15.1114.0.400	3-7	21	(1)
12.0010.4.078	3-47	11	1	12.1050.0.002	3-15	29	1	15.1115.0.600	3-7	22	(1)
12.0010.4.093	3-9	37	1	12.1050.0.002	3-87	31	6	15.1116.0.400	3-7	20	(2)
12.0010.4.093	3-31	5	1	12.2010.0.011	3-11	10	2	15.1117.0.100	3-29	69	1
12.0010.4.093	3-35	13	1	12.2010.0.011	3-25	14	2	15.1117.0.100	3-9	9	2
12.0010.4.093	3-73	14	2	12.2010.0.024	3-7	14	(2)	15.1123.0.800	3-9	18	1
12.0010.4.094	3-3	17	5	12.2010.0.032	3-29	64	2	15.1124.0.050	3-39	3	1
12.0010.4.134	3-47	15*	1	12.2010.1.004	3-7	31	(1)	15.1125.0.050	3-39	4	1
12.0010.4.146	3-49	17	(1)	12.2050.0.007	3-25	23	1	15.1128.0.050	3-9	29	1
12.0010.4.161	3-47	14**	1	12.2050.0.007	3-23	24	(2)	15.1128.0.050	3-11	25	1
12.0010.4.161	3-47	16	3	12.2050.0.010	3-9	44	(1)	15.1128.0.050	3-35	14	1
12.0010.4.162	3-47	12	1	12.2050.1.005	3-61	36	(1)	15.1130.0.400	3-39	5	2
12.0010.4.163	3-47	24	2	12.2050.1.005	3-65	33	(1)	15.1131.0.991	3-39	6	1
12.0010.4.168	3-47	10	1	12.2050.1.013	3-9	46	(1)	15.1134.0.991	3-9	32	1
12.0010.4.174	3-97	2	2	12.2070.0.004	3-21	7	4	15.1136.1.800	3-39	7	1
12.0010.4.184	3-3	19	1	12.2070.0.020	3-95	3	4	15.1137.0.100	3-7	26	((2))
12.0010.4.191	3-3	30	(1)	12.3011.0.010	3-17	28	1	15.1138.0.800	3-9	10	1

**INDEX**

PART NUMBER	PAGE	DET	QTY	PART NUMBER	PAGE	DET	QTY	PART NUMBER	PAGE	DET	QTY
15.1139.0.500	3-9	17	1	15.1422.0.100	3-3	20	4	15.2004.0.300	3-17	13	2
15.1140.0.500	3-9	24	1	15.1422.0.100	3-39	13	15	15.2004.0.400	3-9	45	(1)
15.1142.0.400	3-9	14	1	15.1422.0.100	3-7	16	(1)	15.2005.0.800	3-17	17	2
15.1143.1.400	3-9	38	1	15.1422.0.100	3-3	36	(2)	15.2007.0.600	3-17	20	2
15.1144.0.000	3-9	21	1	15.1422.0.100	3-7	18	(2)	15.2008.0.600	3-17	7	2
15.1145.0.800	3-9	35	1	15.1422.0.100	3-7	39	(2)	15.2009.0.700	3-17	46	2
15.1146.0.400	3-9	27	1	15.1422.0.100	3-31	25*	(2)	15.2010.0.300	3-17	3	4
15.1146.0.400	3-36	44	1	15.1423.0.100	3-3	35	(2)	15.2011.0.600	3-17	23	2
15.1201.0.050	3-9	6	1	15.1424.0.100	3-3	28	(4)	15.2012.0.600	3-17	24	2
15.1201.0.600	3-9	47	(1)	15.1425.0.000	3-7	36	(3)	15.2013.0.600	3-17	45	2
15.1205.0.400	3-9	11	1	15.1425.0.100	3-15	25	1	15.2015.0.800	3-17	19	2
15.1207.0.800	3-9	40	(4)	15.1425.0.100	3-95	11	1	15.2016.1.800	3-17	40	1
15.1209.0.600	3-9	43	(1)	15.1425.0.100	3-31	7	4	15.2017.1.800	3-19	56	1
15.1211.0.800	3-9	41	(2)	15.1426.0.100	3-49	20	(3)	15.2018.1.800	3-19	57	1
15.1305.1.800	3-15	4	1	15.1427.0.100	3-17	41	3	15.2019.0.600	3-17	5	2
15.1307.0.800	3-31	8	1	15.1427.0.100	3-87	32	4	15.2020.0.992	3-17	42	1
15.1317.0.300	3-15	11	1	15.1427.0.100	3-81	62	((2))	15.2021.0.991	3-17	44	4
15.1323.0.600	3-15	14	1	15.1427.0.100	3-41	17	3+2	15.2022.0.100	3-17	12	4
15.1324.0.800	3-15	20	1	15.1428.0.100	3-17	37	2	15.2023.0.300	3-85	3	2
15.1325.0.800	3-15	23	1	15.1429.0.100	3-45	11	2	15.2023.0.300	3-61	5	((1))
15.1326.0.800	3-15	26	1	15.1429.0.100	3-31	29	(2)	15.2023.0.300	3-65	05	((1))
15.1327.0.000	3-15	10	1	15.1430.0.100	3-55	21	((2))	15.2023.0.300	3-55	16	((1)+(1))
15.1328.0.300	3-15	13	1	15.1431.0.100	3-61	37	(2)	15.2023.0.300	3-79	21	((1)+(1))
15.1329.0.600	3-15	36	1	15.1431.0.100	3-67	62	(2)	15.2023.0.300	3-61	39	(1)
15.1401.0.700	3-3	33	(1)	15.1432.0.100	3-81	50	((5))	15.2023.0.300	3-65	35	(1)
15.1401.1.050	3-3	2	1	15.1433.0.100	3-81	51	((4))	15.2024.0.800	3-19	58	1
15.1402.2.700	3-15	1	1	15.1434.0.100	3-81	49	((2))	15.2026.0.600	3-19	59	2
15.1403.0.800	3-3	7	1	15.1436.0.100	3-61	7	((2))	15.2500.0.050	3-53	1	1
15.1404.0.800	3-3	9	1	15.1436.0.100	3-65	7	((2))	15.2500.0.050	3-55	1	1
15.1405.0.050	3-3	22	1	15.1436.0.100	3-79	6	((2)+(7))	15.2501.0.050	3-55	2	(1)
15.1405.0.800	3-3	31	(1)	15.1436.0.100	3-55	29	((3)+(3))	15.2501.1.800	3-55	4	((1))
15.1406.0.800	3-3	26	(1)	15.1436.0.100	3-61	38	(2)	15.2502.0.050	3-55	3	(1)
15.1407.0.800	3-3	4	1	15.1436.0.100	3-65	34	(2)	15.2502.1.800	3-55	5	((1))
15.1408.0.800	3-3	5	1	15.1501.0.800	3-95	1	1	15.2503.0.300	3-85	4	1
15.1409.0.000	3-7	37	(1)	15.1502.0.600	3-95	14	1	15.2503.0.300	3-61	18	((1))
15.1410.0.992	3-3	37	(1)	15.1503.1.300	3-95	40	1	15.2503.0.300	3-65	18	((1))
15.1414.0.992	3-3	21	1	15.1504.0.300	3-95	15	2	15.2503.0.300	3-55	13	((1)+(1))
15.1416.0.000	3-3	34	(1)	15.1504.1.300	3-95	42	1	15.2503.0.300	3-79	7	((1)+(1))
15.1420.0.100	3-15	3	2	15.1505.1.600	3-95	37	1	15.2503.0.300	3-61	40	(1)
15.1420.0.100	3-37	3	7	15.1506.0.600	3-95	18	1	15.2503.0.300	3-65	36	(1)
15.1420.0.100	3-9	3	9	15.1507.0.000	3-95	35	1	15.2504.0.700	3-85	5	1
15.1420.0.100	3-3	8	10	15.1508.0.050	3-95	12	1	15.2504.0.700	3-61	8	((1))
15.1420.0.100	3-19	55	12	15.1513.0.900	3-95	43	1	15.2504.0.700	3-65	8	((1))
15.1421.0.100	3-3	14	6	15.2001.1.600	3-17	1	1	15.2504.0.700	3-55	8	((1)+(1))
15.1422.0.100	3-15	28	1	15.2002.0.800	3-17	9	2	15.2504.0.700	3-79	8	((1)+(1))
15.1422.0.100	3-95	10	1	15.2003.0.800	3-17	10	2	15.2504.0.700	3-61	41	(1)

**INDEX**

PART NUMBER	PAGE	DET	QTY	PART NUMBER	PAGE	DET	QTY	PART NUMBER	PAGE	DET	QTY
15.2504.0.700	3-65	37	(1)	15.2629.0.300	3-63	53	(1)	15.3008.1.600	3-33	15	1
15.2505.0.700	3-55	9	((1))	15.2629.0.300	3-67	64	(1)	15.3010.0.300	3-23	3	2
15.2505.0.700	3-61	9	((1))	15.2630.0.050	3-61	3	(1)	15.3011.0.300	3-21	12	2
15.2505.0.700	3-65	9	((1))	15.2630.0.800	3-63	54	(1)	15.3012.0.050	3-23	15	1
15.2505.0.700	3-79	11	((1))	15.2631.0.050	3-61	2	(1)	15.3012.0.800	3-23	22	(1)
15.2506.0.700	3-55	10	((1))	15.2631.0.800	3-61	4	((1))	15.3013.0.600	3-23	9	1
15.2506.0.700	3-81	57	((1))	15.2633.0.050	3-63	55	(1)	15.3014.0.600	3-23	10	1
15.2506.0.700	3-61	42	(1)	15.2700.0.051	3-69	2	1	15.3015.0.800	3-23	13	1
15.2506.0.700	3-65	38	(1)	15.2700.0.051	3-71	1	1	15.3016.0.050	3-33	1	1
15.2507.0.800	3-85	6	2	15.2700.1.050	3-69	1	1	15.3016.0.800	3-33	40	(1)
15.2507.1.800	3-61	10	((1))	15.2700.1.050	3-79	1	1	15.3017.0.800	3-21	15	1
15.2507.1.800	3-65	10*	((1))+ (1)	15.2700.1.052	3-71	17	1	15.3018.0.800	3-37	2	2
15.2507.1.800	3-61	43	(1)	15.2700.1.052	3-79	1	1	15.3019.0.300	3-25	01	1
15.2600.0.050	3-57	1	1	15.2701.0.050	3-79	2	(1)	15.3020.1.500	3-25	20	1
15.2600.0.050	3-65	1	1	15.2701.0.051	3-79	2	(1)	15.3021.0.800	3-25	02	1
15.2600.0.051	3-57	2	1	15.2701.1.800	3-65	4	((1))	15.3022.0.050	3-25	03	1
15.2600.0.053	3-61	1	1	15.2701.1.800	3-79	4	((1))	15.3024.0.800	3-45	1	1
15.2601.0.050	3-65	2	(1)	15.2702.1.050	3-79	3	(1)	15.3025.0.300	3-33	38	(1)
15.2602.0.050	3-65	3	(1)	15.2702.1.051	3-79	3	(1)	15.3026.0.050	3-41	13	1
15.2602.0.800	3-65	39	(1)	15.2702.2.800	3-79	22	((1))	15.3029.0.800	3-21	17	1
15.2603.0.800	3-61	44	(1)	15.2703.1.800	3-79	31	((1))	15.3030.0.300	3-21	8	1
15.2603.0.800	3-65	40	(1)	15.2706.1.800	3-79	34	((1))	15.3031.0.500	3-21	5	1
15.2604.0.800	3-61	45	(1)	15.2708.1.400	3-79	32	((1))	15.3032.0.600	3-37	4	1
15.2604.0.800	3-65	41	(1)	15.2711.0.050	3-79	40	((1))	15.3033.0.500	3-23	26	(1)
15.2605.0.600	3-61	46	(1)	15.2715.0.100	3-79	35	((1))	15.3034.0.500	3-23	7	1
15.2605.0.600	3-65	42	(1)	15.2716.0.100	3-81	41	((1))	15.3035.0.500	3-25	04	2
15.2606.0.600	3-61	47	(1)	15.2717.0.800	3-79	33	((1))	15.3036.1.500	3-27	35	1
15.2606.0.600	3-65	43	(1)	15.2718.0.600	3-79	24	((1))	15.3037.0.800	3-37	5	1
15.2607.0.050	3-65	44	(1)	15.2719.0.600	3-79	23	((1))	15.3039.0.800	3-39	8	1
15.2609.0.100	3-61	48	(1)	15.2720.0.600	3-79	39	((1))	15.3040.0.800	3-37	8	1
15.2609.0.100	3-65	45	(1)	15.2721.0.800	3-81	47	((1))	15.3043.0.800	3-37	10	1
15.2610.0.100	3-61	49	(1)	15.2722.0.400	3-81	48	((1))	15.3200.2.000	3-31	24	(1)
15.2610.0.100	3-65	46	(1)	15.2723.0.800	3-79	25	((1))	15.3200.2.050	3-31	16	1
15.2611.0.600	3-67	58	(1)	15.2724.0.800	3-79	26	((1))	15.3201.1.800	3-31	39***	(1)
15.2611.1.600	3-61	50	(1)	15.2725.0.800	3-79	27	((1))	15.3202.0.800	3-31	26*	(1)
15.2617.1.800	3-59	1	1	15.2726.0.800	3-79	29	((1))	15.3205.0.800	3-31	2	2
15.2617.1.800	3-75	1	1	15.2728.0.300	3-81	53	((1))	15.3206.0.300	3-31	43**	(1)
15.2618.0.800	3-59	2	1	15.2812.0.700	3-85	7	1	15.3210.0.000	3-31	6	1
15.2618.0.800	3-75	2	1	15.2820.0.050	3-83	1	1	15.3210.0.400	3-31	1	1
15.2620.0.800	3-59	4	1	15.2821.0.800	3-85	8	1	15.3212.1.800	3-31	4	1
15.2620.0.800	3-75	3	1	15.2822.0.800	3-85	9	1	15.3217.0.100	3-31	31	(2)
15.2624.0.800	3-59	5	1	15.3001.1.700	3-37	1	1	15.3217.0.100	3-31	31*	(3)
15.2627.0.800	3-63	51	(1)	15.3002.0.300	3-21	9	1	15.3220.0.000	3-31	40*	(1)
15.2627.0.800	3-67	61	(1)	15.3004.0.600	3-21	10	2	15.3230.1.800	3-31	12**	1
15.2628.0.400	3-63	52	(1)	15.3005.0.000	3-23	16	1	15.3801.1.000	3-41	1	1
15.2628.0.400	3-67	59	(1)	15.3006.0.600	3-21	13	1	15.3802.0.400	3-41	32	1

**INDEX**

PART NUMBER	PAGE	DET	QTY	PART NUMBER	PAGE	DET	QTY	PART NUMBER	PAGE	DET	QTY
15.3804.0.800	3-43	1	1	15.4419.0.300	3-13	58	(1)	15.4525.0.000	3-27	34	1
15.3805.0.700	3-41	4	1	15.4420.0.600	3-13	56	(1)	15.4526.0.800	3-27	38	1
15.3806.0.300	3-41	7	2	15.4421.0.400	3-11	46	(1)	15.4530.0.200	3-27	28	1
15.3807.0.300	3-41	2	2	15.4423.0.400	3-13	0	(1)	15.4531.0.200	3-27	29	1
15.3809.0.400	3-41	3	2	15.4423.0.500	3-11	22	1	15.4532.0.800	3-27	45	1
15.3810.0.990	3-41	11	3	15.4426.0.500	3-9	12	1	15.4537.0.990	3-29	50	1
15.3811.0.993	3-41	19	1	15.4427.0.000	3-13	50	(1)	15.4539.0.990	3-29	51	1
15.3812.0.800	3-41	23	1	15.4427.0.050	3-11	23	1	15.4541.0.800	3-29	56	1
15.3813.0.600	3-41	28	1	15.4428.0.100	3-13	49	(1)	15.4543.0.600	3-35	38	(2)+(2)
15.3814.0.400	3-41	34	1	15.4429.0.300	3-13	48	(1)	15.4545.0.400	3-29	61	1
15.4001.0.000	3-7	9	(1)	15.4431.0.400	3-13	47	(1)	15.4546.0.600	3-57	5	1
15.4001.0.050	3-9	1	1	15.4433.0.400	3-13	0	(1)	15.4548.0.100	3-27	10	1
15.4001.0.050	3-7	1	1	15.4434.0.400	3-13	0	(1)	15.4549.0.100	3-27	14	2
15.4002.0.500	3-7	2	(1)	15.4435.1.100	3-11	41	(1)	15.4555.0.400	3-27	12	2
15.4003.0.400	3-7	6	(1)	15.4437.0.990	3-13	54	(1)	15.4556.0.800	3-53	5	1
15.4004.0.800	3-9	2	1	15.4439.0.400	3-11	14	1	15.4601.0.300	3-35	2	1
15.4005.0.400	3-7	30	(1)	15.4440.0.100	3-11	15	1	15.4602.3.400	3-35	3	1
15.4006.0.400	3-7	33	(1)	15.4442.1.400	3-11	35	1	15.4604.0.500	3-35	9	1
15.4007.0.800	3-7	17	(1)	15.4500.0.050	3-25	06	1	15.4605.0.050	3-35	4	1
15.4008.0.400	3-7	35	(1)	15.4500.1.000	3-27	1	1	15.4606.0.050	3-35	5	1
15.4009.0.400	3-7	10	(1)	15.4501.3.800	3-27	2	1	15.4606.0.600	3-35	27	(1)
15.4010.0.050	3-9	4	1	15.4502.0.400	3-27	3	1	15.4607.0.300	3-35	32	(1)+(1)
15.4010.0.050	3-7	29	1	15.4503.0.991	3-27	4	1	15.4608.0.300	3-35	28	(1)
15.4011.0.050	3-25	5	2	15.4504.0.700	3-27	6	1	15.4608.0.300	3-35	36	(1)
15.4017.0.800	3-13	65	2	15.4505.0.600	3-27	40	1	15.4609.0.300	3-35	35	(1)
15.4017.0.800	3-35	45	2	15.4506.0.700	3-27	13	1	15.4610.0.400	3-35	33	(1)
15.4017.0.800	3-7	23	(2)	15.4507.0.400	3-27	15	1	15.4614.0.600	3-35	20	1
15.4019.0.400	3-7	4	(2)	15.4508.0.400	3-27	42	1	15.4615.0.800	3-35	12	1
15.4020.0.400	3-7	24	(2)	15.4509.0.600	3-27	16	1	15.4616.0.400	3-35	34	(1)
15.4021.0.800	3-7	40	(1)	15.4510.0.600	3-27	17	1	15.5001.0.600	3-5	20	1
15.4022.0.800	3-7	41	(1)	15.4511.0.600	3-29	57	1	15.5002.0.600	3-5	22	1
15.4023.0.300	3-25	21	1	15.4512.0.800	3-27	18	1	15.5003.0.600	3-5	21	1
15.4401.0.400	3-11	11	1	15.4514.0.050	3-27	21	2	15.5004.0.600	3-5	19	1
15.4402.0.600	3-11	12	1	15.4516.0.800	3-53	4	1	15.5005.0.300	3-5	18	1
15.4403.0.000	3-11	13	1	15.4516.0.800	3-69	5	1	15.5006.0.300	3-5	15	1
15.4404.0.300	3-11	8	1	15.4516.0.800	3-71	2	1	15.5008.0.300	3-5	9	(1)
15.4405.0.050	3-11	31	1	15.4516.0.800	3-83	5	1	15.5009.0.050	3-5	23	1
15.4409.0.400	3-11	1	1	15.4519.0.200	3-27	24	1	15.5009.0.050	3-5	14	(1)
15.4410.0.400	3-35	19	1	15.4520.0.300	3-27	25	1	15.5009.0.050	3-5	1	1
15.4412.1.050	3-11	28	1	15.4521.0.300	3-27	27	1	15.5009.0.600	3-5	4	(1)
15.4412.1.600	3-11	45	(1)	15.4521.0.300	3-81	43	((1))	15.5011.0.400	3-5	10	(1)
15.4413.0.300	3-11	43	(1)	15.4522.0.800	3-27	31	1	15.5012.0.600	3-5	11	(1)
15.4415.2.400	3-11	37	1	15.4523.0.800	3-27	32	1	15.5013.0.100	3-5	5	(1)
15.4416.0.800	3-11	19	1	15.4524.0.800	3-57	4	1	15.5014.0.800	3-5	13	(1)
15.4417.0.800	3-11	20	1	15.4524.0.800	3-69	9	2	15.5015.0.050	3-69	18	1
15.4418.0.700	3-11	7	1	15.4524.0.800	3-71	10	2	15.5015.0.700	3-33	17	1

**INDEX**

PART NUMBER	PAGE	DET	QTY	PART NUMBER	PAGE	DET	QTY	PART NUMBER	PAGE	DET	QTY
15.5015.1.700	3-93	14	1	15.8040.0.600	3-87	47	1	17.0013.1.259	3-69	10	1
15.5019.0.800	3-33	25	1	15.8041.0.600	3-87	48	2	17.0013.1.259	3-71	11	1
15.5020.0.100	3-5	12	(1)	15.8042.0.600	3-87	49	2	17.0013.1.415	3-73	16	1
15.5021.0.300	3-33	6	1	15.8043.0.300	3-87	50	2	17.0013.1.415	3-33	23	1
15.5022.0.600	3-33	41*	1	15.8044.0.300	3-89	51	2	17.0013.1.482	3-57	10	1
15.5023.0.050	3-83	2	1	15.8045.0.300	3-89	52	2	17.0013.1.485	3-85	11	1
15.5023.0.700	3-33	17*	1	15.8046.0.600	3-89	53	2	17.0013.5.067	3-61	17	((1))
15.5024.0.992	3-5	25	1	15.8047.0.800	3-89	54	1	17.0013.5.067	3-65	17	((1))
15.5025.0.300	3-93	15	1	15.8048.0.800	3-89	55	1	17.0013.5.067	3-55	24	((1)+(1))
15.5027.0.300	3-33	27	(1)	15.8049.0.800	3-89	56	2	17.0013.5.067	3-79	15	((1)+(1))
15.5201.1.990	3-73	1	1	15.8050.0.600	3-89	57	1	17.0013.5.067	3-63	59	(1)
15.5202.1.600	3-73	2	1	17.0004.9.894	3-27	43	1	17.0013.5.067	3-67	50	(1)
15.5204.0.800	3-73	3	1	17.0004.9.895	3-27	44	1	17.0014.1.178	3-57	12	1
15.5205.1.300	3-73	4	1	17.0011.1.148	3-13	53	(1)	17.0016.1.054	3-29	62	1
15.5206.0.050	3-71	3	1	17.0011.2.072	3-17	32	2	17.0016.1.190	3-11	6	1
15.5206.0.051	3-71	4	1	17.0012.0.117	3-27	9	3	17.0016.1.401	3-57	11	1
15.5206.1.600	3-73	5	1	17.0012.0.118	3-17	22	2	17.0019.0.226	3-29	67	3
15.5207.1.800	3-73	6	1	17.0012.0.118	3-27	20	3	17.0019.0.228	3-29	55	2
15.5211.0.800	3-73	7	1	17.0012.0.246	3-89	58	4	17.0019.0.228	3-63	60	(1)
15.5212.0.800	3-73	8	1	17.0012.0.404	3-27	11	2	17.0019.0.228	3-67	65	(1)
15.5213.0.800	3-73	9	1	17.0012.0.543	3-7	27	((1))	17.0019.0.230	3-95	6	1
15.5214.0.600	3-73	10	1	17.0012.0.571	3-33	18	1	17.0019.0.230	3-11	42	(1)
15.5215.0.800	3-73	11	1	17.0012.0.605	3-53	6	1	17.0019.0.230	3-63	61	(1)
15.5216.0.500	3-73	12	1	17.0012.0.605	3-69	6	1	17.0019.0.230	3-67	51	(1)
15.6002.0.050	3-49	16	1	17.0012.0.605	3-71	7	1	17.0019.0.602	3-35	37	(2)+(2)
15.6002.0.800	3-49	24	(1)	17.0012.0.605	3-83	6	1	17.0019.0.680	3-63	62	(1)
15.6004.0.000	3-47	23	1	17.0012.0.605	3-63	56	(1)	17.0019.0.680	3-67	52	(1)
15.6005.0.990	3-49	13	4	17.0012.0.605	3-65	47	(1)	17.0019.1.088	3-27	41	2
15.7001.0.000	3-33	2	1	17.0012.0.688	3-57	9	1	17.0019.2.066	3-61	15	((1))
15.7001.0.051	3-41	18	1	17.0012.1.142	3-63	57	(1)	17.0019.2.066	3-65	15	((1))
15.7001.0.052	3-37	7	1	17.0012.1.142	3-65	48	(1)	17.0019.2.066	3-55	22	((1)+(1))
15.7002.0.000	3-33	9	1	17.0012.2.400	3-27	30	1	17.0019.2.066	3-79	13	((1)+(1))
15.8001.0.050	3-87	33	1	17.0012.4.106	3-53	7	1	17.0019.2.066	3-63	63	(1)
15.8005.0.600	3-87	34	1	17.0012.4.106	3-57	7	1	17.0019.2.066	3-67	53	(1)
15.8006.0.800	3-87	35	1	17.0012.4.106	3-69	8	1	17.0019.5.040	3-55	23	((1)+(1))
15.8008.0.800	3-87	36	2	17.0012.4.106	3-71	9	1	17.0021.1.073	3-33	24	1
15.8013.0.800	3-87	37	1	17.0012.4.106	3-83	8	1	17.0026.0.218	3-57	13	1
15.8017.0.800	3-87	38	1	17.0012.4.106	3-85	10	2	17.0026.1.084	3-7	5	(2)
15.8018.0.600	3-87	39	1	17.0012.4.106	3-61	11	((1))	17.0026.2.020	3-57	18	1
15.8022.0.800	3-87	40	1	17.0012.4.106	3-65	11	((1))	17.0026.2.020	3-69	11	1
15.8023.0.800	3-87	41	1	17.0012.4.106	3-55	27	((1)+(1))	17.0026.2.020	3-71	12	1
15.8024.0.800	3-87	42	1	17.0012.4.106	3-79	20	((1)+(1))	17.0026.2.054	3-15	7	1
15.8026.0.500	3-87	43	1	17.0012.4.106	3-63	58	(1)	17.0026.2.078	3-15	31	1
15.8033.0.800	3-87	44	2	17.0012.4.106	3-67	49	(1)	17.0026.2.078	3-31	46	(1)
15.8034.0.800	3-87	45	2	17.0012.6.110	3-17	16	6	17.0026.3.173	3-81	45	((1))
15.8035.0.800	3-87	46	1	17.0013.1.259	3-57	17	1	17.0027.1.223	3-51	6	1

## INDEX

PART NUMBER	PAGE	DET	QTY	PART NUMBER	PAGE	DET	QTY	PART NUMBER	PAGE	DET	QTY
17.0027.4.085	3-25	25	1	19.0019.6.402	3-63	64	(1)	24.0084.0.000	3-49	2	4
17.0027.4.085	3-41	8	4	19.0019.6.402	3-67	54	(1)	24.0119.0.050	3-15	15	1
17.0031.3.027	3-7	3	(2)	19.0033.1.406	3-17	11	2	24.0119.0.050	3-31	11	1
17.0033.1.109	3-11	5	1	19.0033.2.403	3-73	18	5	24.0119.0.050	3-31	41	(1)
17.0042.1.332	3-41	38	1	19.0033.5.403	3-23	23	(1)	24.0168.0.000	3-49	18	(3)
17.0042.1.332	3-13	64	(2)	19.0033.8.407	3-27	7	1	24.0169.0.000	3-49	19	(1)
17.0042.6.083	3-83	3	1	19.0033.8.408	3-27	8	1	24.4068.0.005	3-11	17	1
17.0043.6.351	3-7	11	(1)	19.0041.0.675	3-23	25	(1)	84.0002.9.030	3-41	33	1
17.0066.7.420	3-55	12	(1)	19.0041.0.696	3-25	24	1	P150475	3-91	3	1
17.0066.7.421	3-55	11	(1)	19.0041.1.400	3-63	65	(1)	P150477	3-91	4	1
17.0081.5.047	3-17	26	2	19.0041.1.400	3-67	55	(1)	P150479	3-93	2	1
17.0082.5.884	3-85	12	1	19.0043.6.441	3-29	49	1	P150480	3-93	3	1
17.0082.5.884	3-55	20	((1))	19.0044.1.623	3-35	29	(1)+(2)	P150481	3-93	4	1
17.0082.5.898	3-29	53	1	19.0063.6.441	3-17	4	2	P150482	3-93	5	1
17.0082.8.017	3-15	5	2	19.0063.6.445	3-33	22	1	P150484	3-93	6	1
17.0082.8.082	3-15	32	1	19.0063.6.447	3-73	19	1	P150485	3-93	7	1
17.0082.8.082	3-31	45	(1)	19.0064.7.420	3-51	7	1	P150486	3-93	8	1
17.0087.0.169	3-85	13	1	19.0064.8.409	3-17	8	2	P160026	3-93	1	1
17.0087.0.169	3-55	19	((1)+(1))	19.0066.7.422	3-81	58	((1))	P160029	3-93	16	1
17.0087.0.204	3-69	7	1	19.0066.7.423	3-79	12	((1))	P160077	3-91	5	1
17.0087.0.204	3-71	8	1	19.0081.4.454	3-73	20	1	P160078	3-91	6	1
17.0087.0.204	3-83	7	1	19.0081.5.452	3-79	36	((1))	P160079	3-91	7	1
17.0094.0.029	3-97	4	8	19.0082.1.405	3-79	28	((1))	P160080	3-91	8	2
17.0094.0.200	3-49	9	4	19.0082.1.414	3-7	25	(1)	P160081	3-91	9	2
17.0095.1.329	3-39	11	2	19.0082.3.438	3-79	37	((1))	P160082	3-91	10	2
17.0097.5.174	3-37	18	1	19.0082.3.439	3-81	59	((1))	P160083	3-91	11	6
17.0097.5.174	3-41	20	1	19.0082.3.439	3-63	66	(1)	P160084	3-91	12	8
17.0097.5.174	3-3	25	2	19.0082.3.439	3-67	56	(1)	P160085	3-91	13	1
18.0011.2.400	3-7	8	(2)	19.0082.6.420	3-57	14	1	P160086	3-91	14	1
19.0004.1.402	3-81	56	((1))	19.0082.6.421	3-55	6	((1))	P160088	3-91	15	1
19.0005.2.218	3-75	5	2	19.0082.6.421	3-65	10	((1))	P160090	3-91	16	1
19.0005.2.218	3-59	7	3	19.0082.6.421	3-79	19	((1))	P160091	3-91	17	1
19.0007.9.462	3-21	1	1	19.0082.6.422	3-55	7	((1))	P160153	3-91	18	1
19.0008.3.415	3-33	29	1	19.0082.6.422	3-81	60	((1))				
19.0011.1.401	3-7	15	(1)	19.0082.6.422	3-67	57	(1)				
19.0011.8.404	3-15	16	1	19.0082.6.432	3-79	30	((1))				
19.0014.3.405	3-33	3	2	19.0087.0.420	3-57	15	2				
19.0014.7.003	3-49	22	(1)	19.0087.0.424	3-79	38	((1))				
19.0016.1.402	3-17	14	2	19.0094.2.418	3-33	28	1				
19.0016.3.410	3-73	17	1	19.0095.1.406	3-59	6	1				
19.0017.2.403	3-15	2	1	19.0095.1.406	3-75	4	1				
19.0017.2.404	3-15	6	1	19.0095.1.406	3-77	7	(1)				
19.0019.0.682	3-27	36	1	22.0229.0.000	3-39	9	8				
19.0019.0.682	3-25	07	2	22.0353.0.000	3-73	21	1				
19.0019.0.685	3-23	27	(1)	24.0061.0.000	3-15	21	1				
19.0019.0.686	3-29	48	2	24.0084.0.000	3-49	2	4				