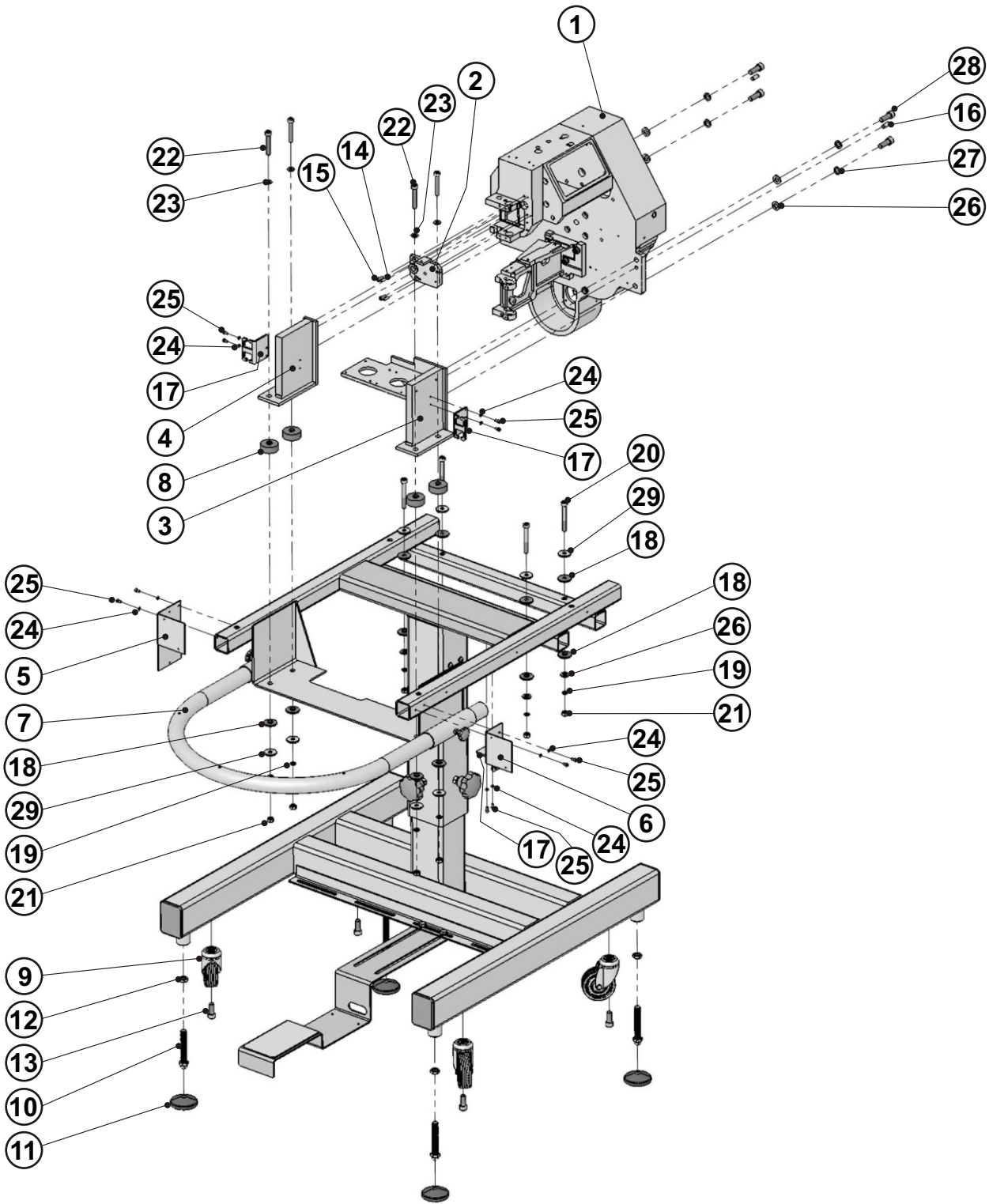


TABLE OF CONTENTS

FRAME ASSEMBLY	3-2
NEEDLE BAR LIFTER	3-4
THREADER, NEEDLE COVER.....	3-6
UPPER AND LOWER LOOPER.....	3-10
THREAD TENSION.....	3-12
BUTTON CHUCK JAW.....	3-14
NEEDLE BAR MECHANISM LOWER AND UPPER.....	3-16
NEEDLE BAR ASSEMBLY	3-18
GEAR TRAIN AND MOTOR ASSEMBLY	3-20
ADJUSTABLE LIFT TONGUE	3-24
RETAINER ASSEMBLY.....	3-28
NEEDLE BAR MECHANISM LOWER AND UPPER.....	3-30
BUTTON CHUCK MECHANISM	3-32
“V” ASSEMBLY.....	3-34
FIVE THREADS SYSTEM.....	3-36
LOCK ASSEMBLY	3-40
THREAD TENSION UPPER ASSEMBLY.....	3-42
LUBRICATION BOX ASSEMBLY	3-44
TABLE MECHANISM	3-46
AIR THREADING	3-48
LIGHT ASSEMBLY	3-50
COVERS AND GUARDS ASSEMBLY.....	3-52
COVERS HEAD ASSEMBLY	3-54
STAND THREAD.....	3-56
PANEL KIT GOT 1000.....	3-58
ELECTROBOX	3-60
KIT PNEU	3-62
STANDARD ACCESSORIES - TOOLS.....	3-66
STANDARD ACCESSORIES	3-68
STANDARD ACCESSORIES - OVERVIEW.....	3-70

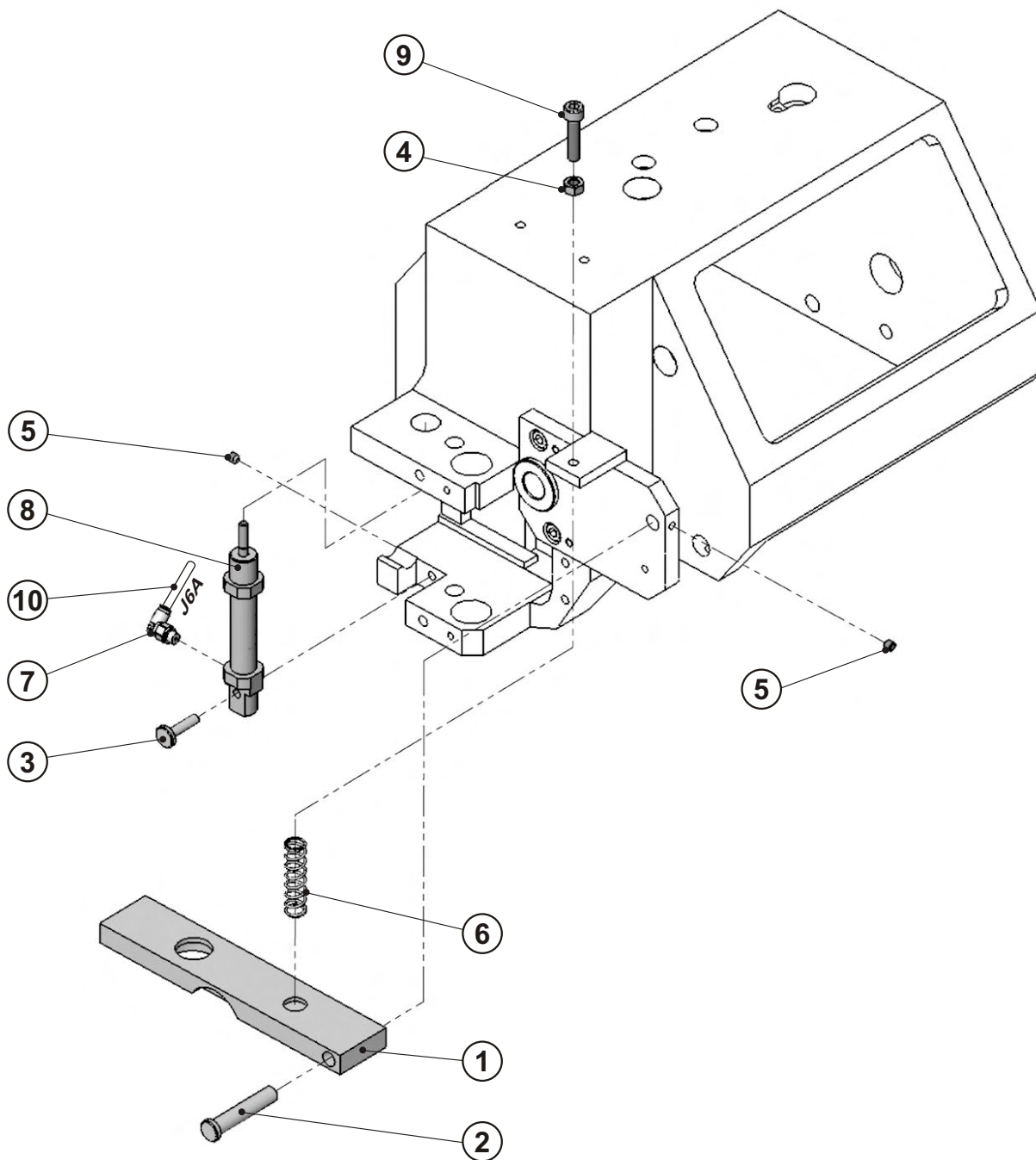
FRAME ASSEMBLY



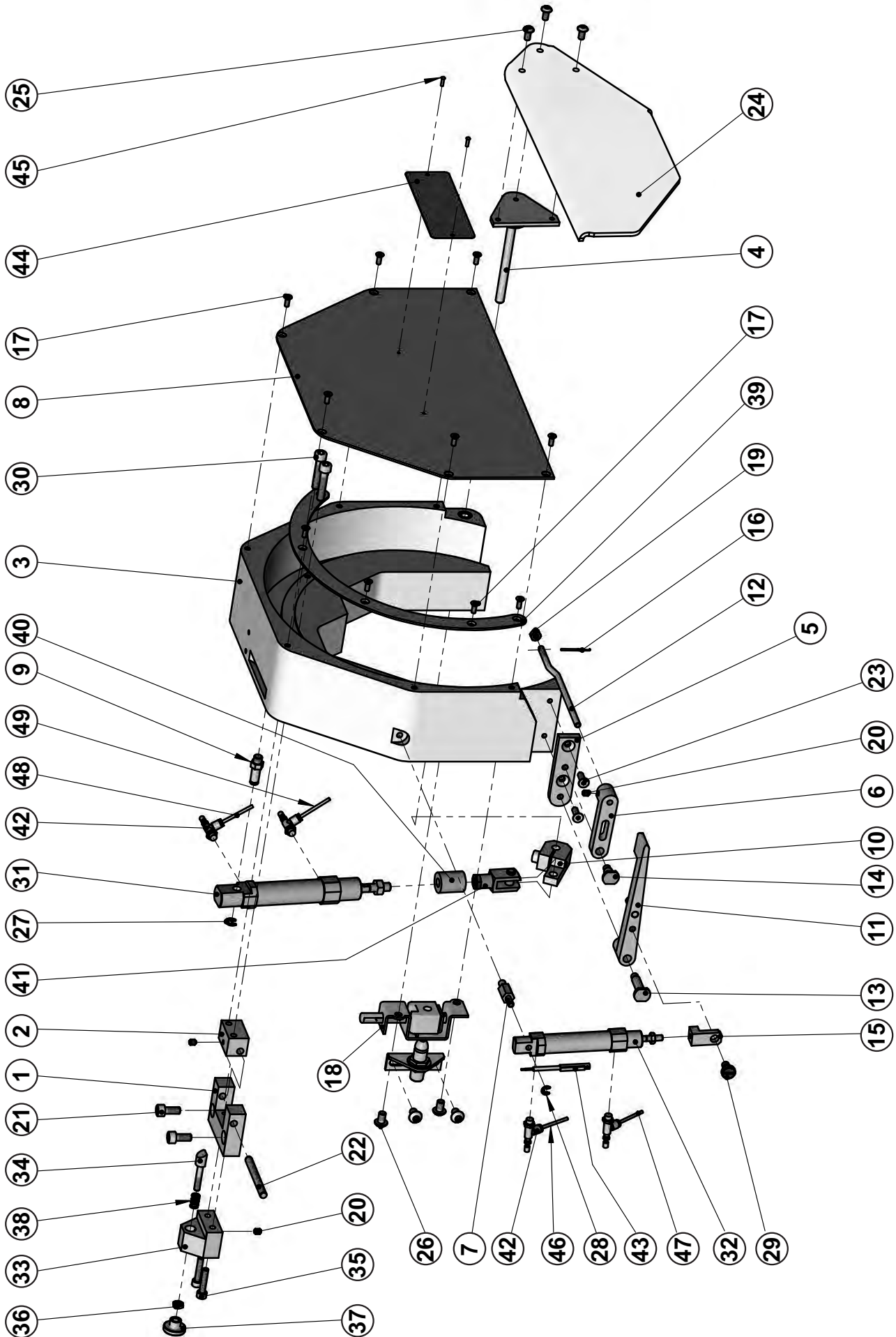
FRAME ASSEMBLY

DET	PART NUMBER	DESCRIPTION	QTY.
01	71.6132.1.017	ARM ASSEMBLY	1
02	71.1253.8.027	UPPER LOOPER SUPPORT	1
03	71.1223.6.100	MOUNTING BRACKET MACHINE - RIGHT	1
04	71.1223.6.101	MOUNTING BRACKET MACHINE - LEFT	1
05	71.1565.3.031	HOLDER	1
06	71.1565.3.032	HOLDER	1
07	04.9071.0.000	STAND	1
08	17.0095.1.273	SHOCK MOUNT	4
09	12.0008.6.520	ROLLER LRA-TPA 75K-FK	4
10	12.0008.6.523	SCREW M12x100	4
11	12.0008.6.524	BASE PLATE	4
12	08.6712.9.000	NUT M12	4
13	08.6000.0.025	SCREW M10-25	4
14	12.1010.0.004	PIN 4m6x16	2
15	08.6000.5.012	SCREW M5-12	2
16	12.1010.0.820	PIN 8-20	2
17	19.0082.3.433	HOLDER	3
18	17.0095.1.272	SHOCK MOUNT	12
19	08.6800.8.000	SPRING WASHER M8	8
20	08.6000.8.065	SCREW M8-65	4
21	08.6702.8.000	NUT M8	8
22	08.6000.8.050	SCREW M8-50	4
23	08.6852.8.000	WASHER M8	4
24	08.6802.4.000	SPRING WASHER M4	10
25	08.6000.4.008	SCREW M4-8	10
26	08.6852.0.000	WASHER 10,5	8
27	08.6802.0.000	SPRING WASHER M10	4
28	08.6000.0.030	SCREW M10-30	4
29	17.0019.0.441	WASHER	8

NEEDLE BAR LIFTER



THREADER, NEEDLE COVER

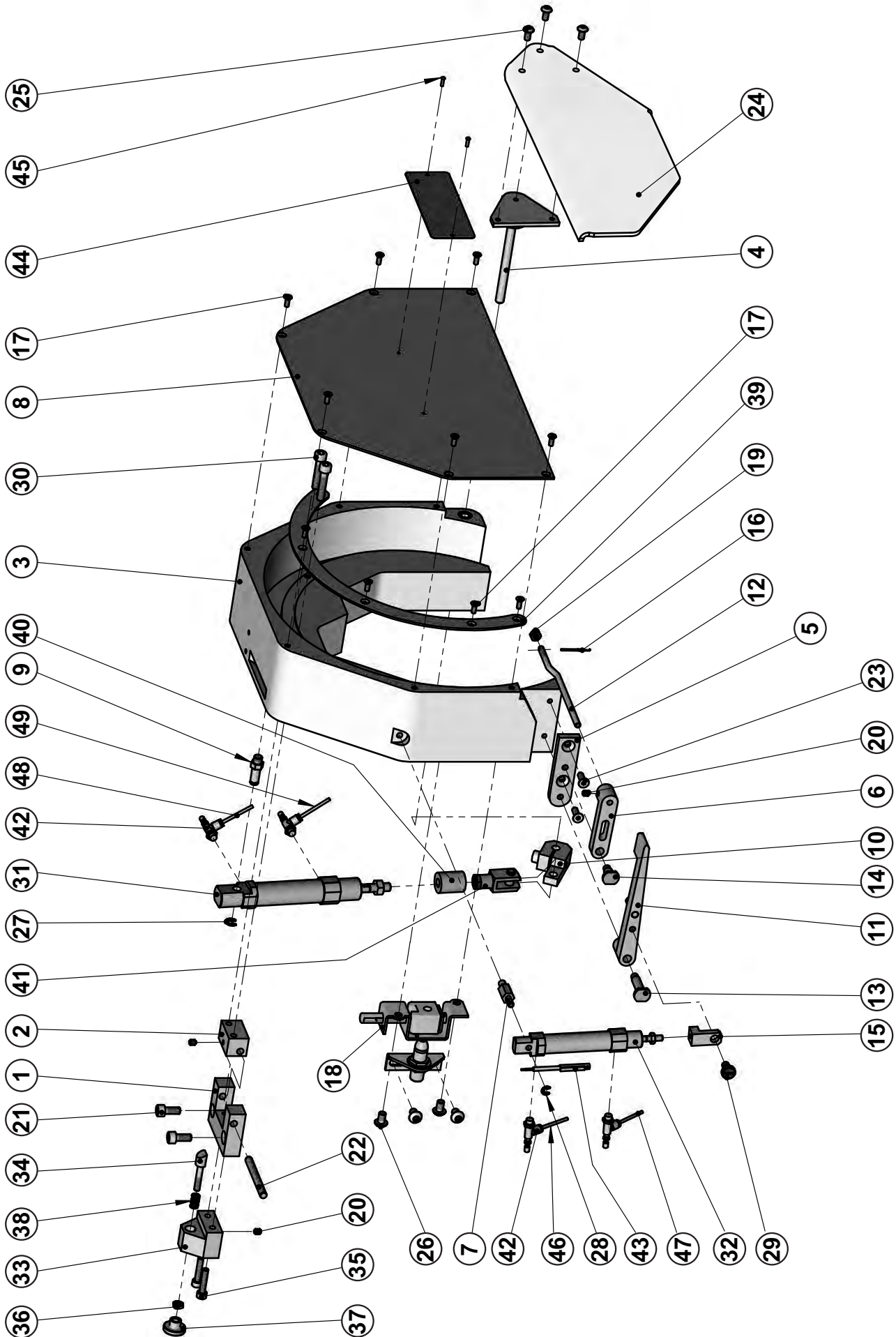


THREADER, NEEDLE COVER

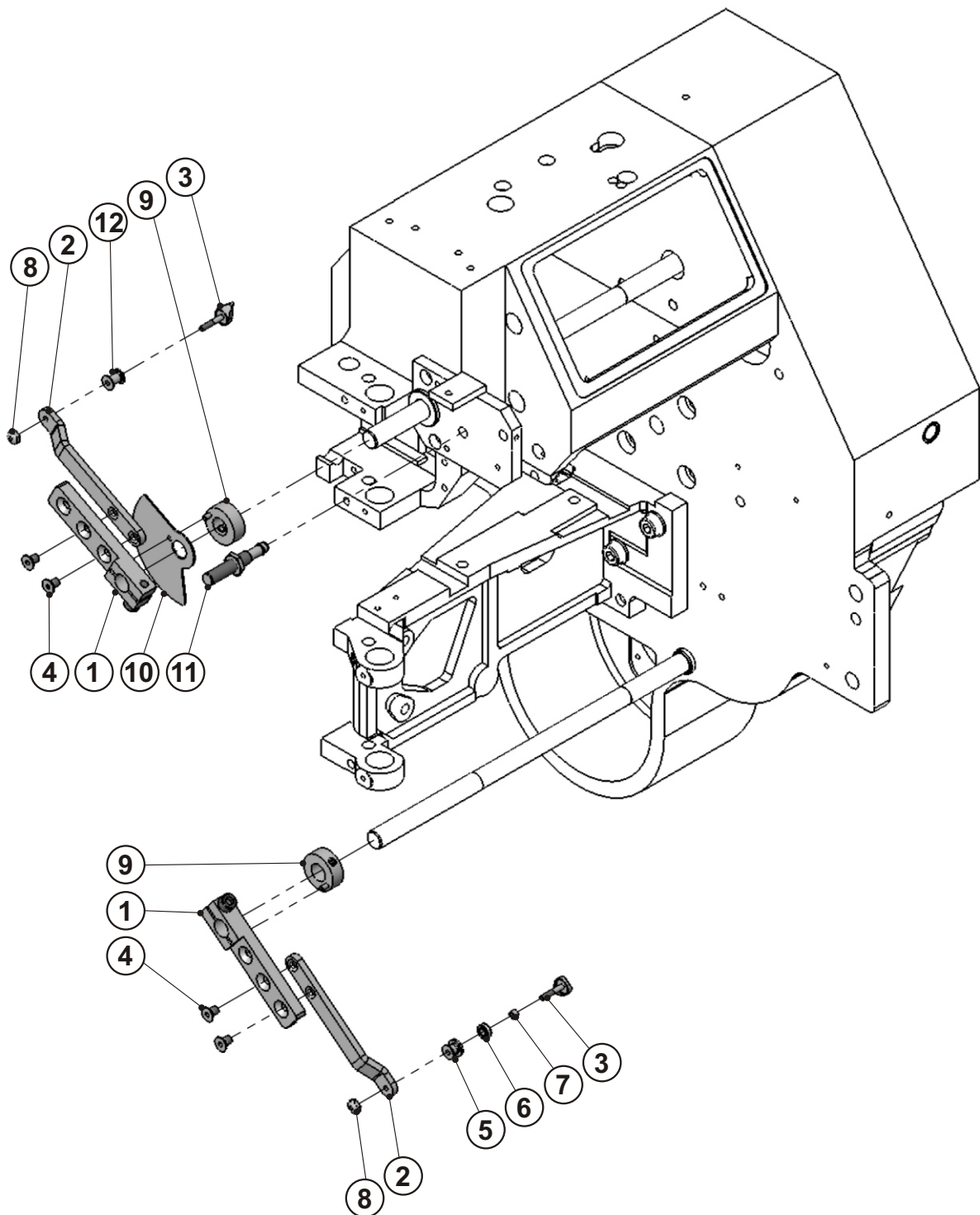


DED	PART NUMBER	DESCRIPTION	QTY.
01	71.1241.8.083	HINGE	1
02	71.1242.8.036	HINGE	1
03	71.1587.6.007	GUARD	1
04	71.1557.4.044	MOUNTING SHAFT GUARD FLAP	1
05	71.1663.1.027	PLATE	1
06	71.1663.1.029	THREADER ARM	1
07	71.1664.1.018	STUD	1
08	71.1586.1.017	COVER	1
09	71.1273.9.139	STUD	1
10	71.1661.8.041	LEVER	1
11	71.1664.1.014	LEVER EXTENSION	1
12	71.1195.5.015	THREADER ROD	1
13	71.1174.1.015	STUD	1
14	71.1174.1.012	STUD	1
15	71.1664.1.017	PISTON ROD	1
16	37213001	NEEDLE THREADER	1
17	08.6102.3.008	SCREW M3-8	11
18	12.0008.6.228	LATCH	1
19	08.6702.4.000	NUT M4	1
20	08.6400.4.005	SCREW M4-5	3
21	08.6002.5.012	SCREW M5-12	2
22	12.1010.2.020	PIN 5h-50	1
23	08.6102.4.012	SCREW M4-12	2
24	71.1570.0.032	GUARD FLAP	1
25	08.6202.4.008	SCREW M4-8	3
26	08.6202.5.008	SCREW M5-8	4
27	12.1045.0.004	RETAINING RING 4	1
28	12.1045.0.003	RETAINING RING 3,2	1
29	22.0182.0.000	SCREW n6/M5x4	1
30	08.6002.5.025	SCREW M5-25	2
31	12.0008.3.609	CYLINDER	1
32	12.0008.3.735	CYLINDER	1
33	71.1241.8.084	HOLDER	1
34	71.1241.8.085	STUD	1
35	08.6002.4.020	SCREW M4-20	2
36	08.6712.4.000	NUT M4	1
37	17.0017.2.041	NUT M4	1
38	12.3010.0.009	SPRING LC	1
39	71.1488.1.006	PLATE	1
40	71.1661.8.044	SPACER	1
41	12.0008.3.806	KNUCKLE GKM6-12	1
42	12.0008.3.815	SPEED CONTR. AS1201-M5-02	4
43	06.7100.0.029	SENSOR BQ11	1
44	12.8000.1.034	LABEL EBS MARK II	1
45	12.1016.0.002	NAIL 1.86x6.35 (1/4)	2

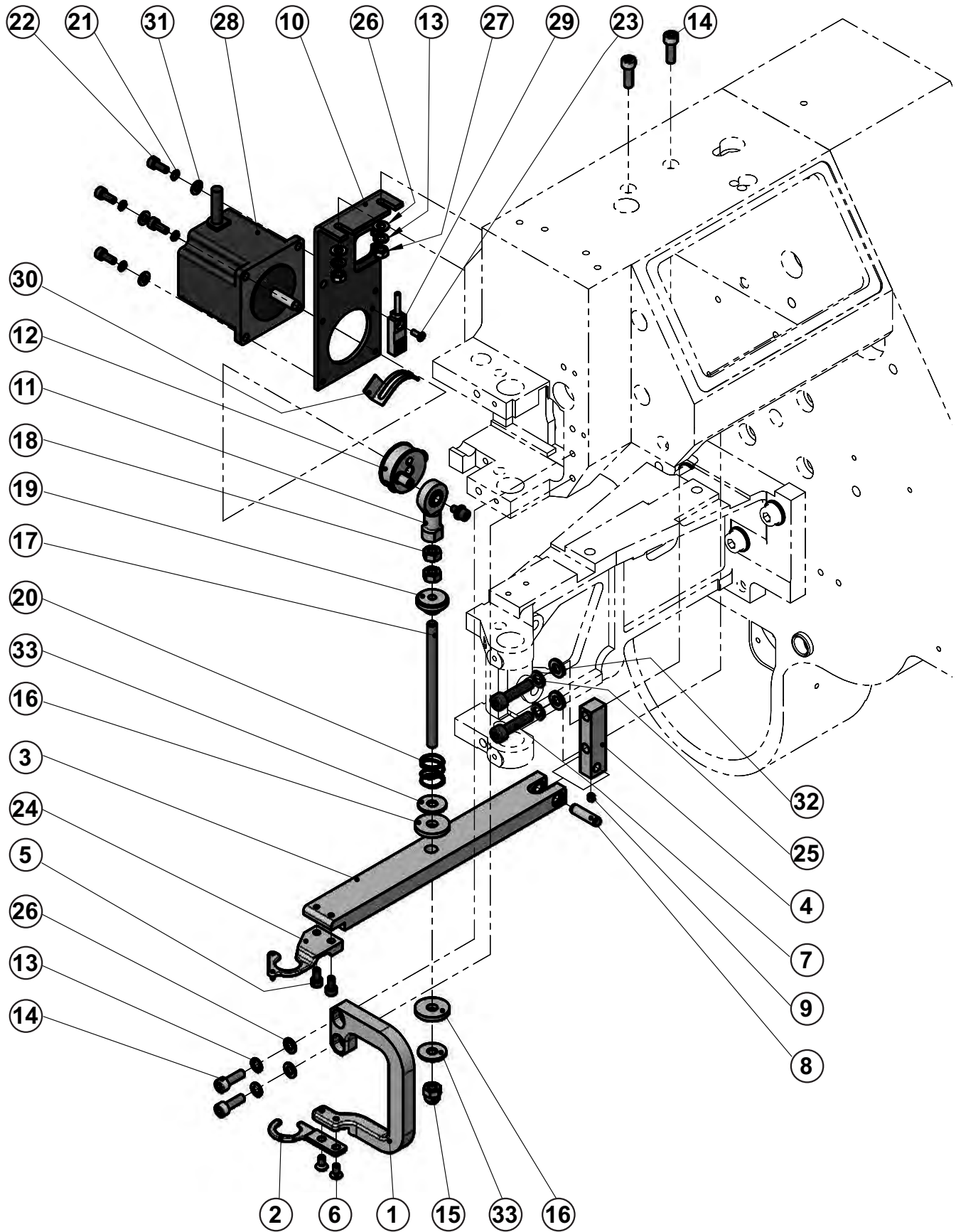
THREADER, NEEDLE COVER



UPPER AND LOWER LOOPER



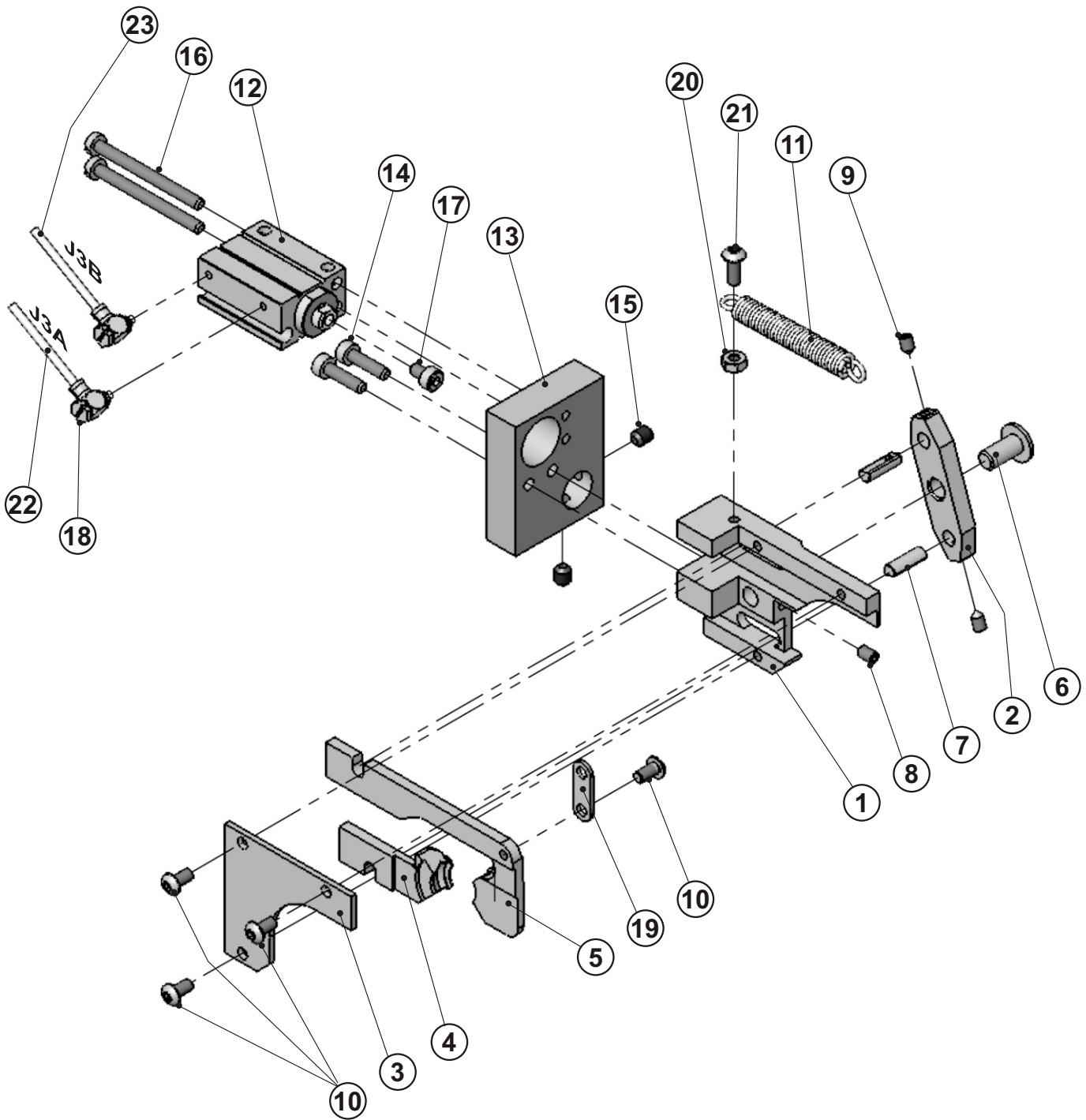
THREAD TENSION



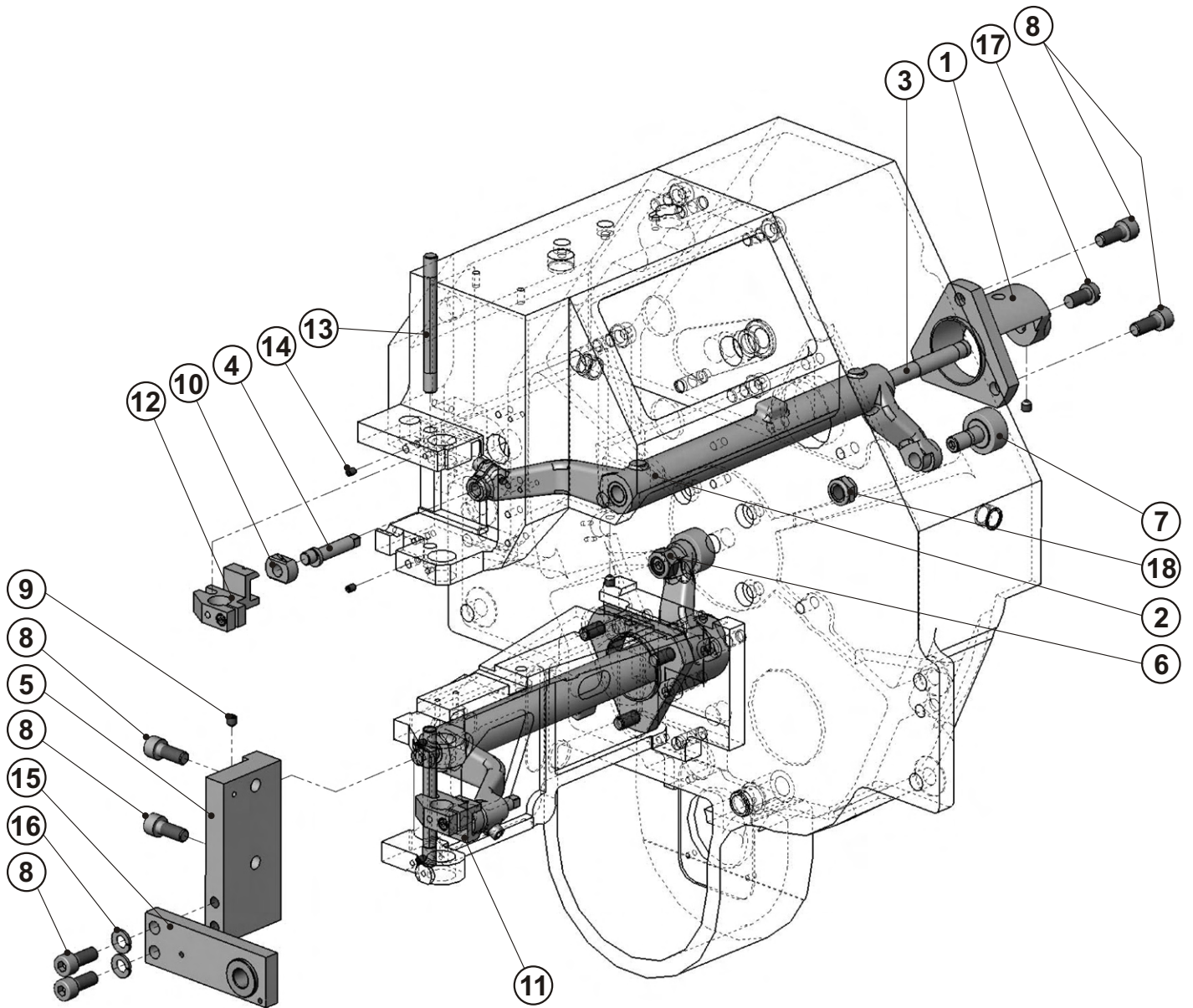
THREAD TENSION

DET	PART NUMBER	DESCRIPTION	QTY.
01	71.1325.2.056	TENSION PLATE MOUNT	1
02	71.1661.1.101	TENSION PLATE	1
03	71.1332.4.001	BAR	1
04	71.1222.3.057	PIVOT MOUNT	1
05	08.6000.4.008	SCREW M4-8	2
06	08.6100.4.008	SCREW M4-8	2
07	08.6000.6.025	SCREW M6-25	2
08	12.1010.2.019	PIN 6h6-22	1
09	08.6400.4.005	SCREW M4-5	1
10	71.1451.5.097	MOTOR HOLDER	1
11	12.0008.3.700	BEARING ROD END	1
12	71.1135.2.006	ECCENTRIC	1
13	08.6802.5.000	SPRING WASHER M5	4
14	08.6002.5.016	SCREW M5-16	4
15	08.6722.6.000	NUT M6	1
16	71.1677.0.005	WASHER	2
17	71.1129.1.029	SCREW	1
18	08.6702.6.000	NUT M6	2
19	71.1159.3.013	ADJUSTABLE NUT	1
20	24971495	SPRING LC 045-01	1
21	08.6800.4.000	WASHER 4	4
22	08.6000.4.010	SCREW M4-10	4
23	08.6100.3.008	SCREW M3-8	1
24	71.1721.1.134	TENSION FINGER	1
25	08.6800.6.000	WASHER 6	2
26	08.6852.5.000	WASHER 5,3	4
27	08.6700.5.000	NUT M5	2
28	06.7100.1.011	MOTOR U3	1
29	06.7100.0.016	SENSOR FLAT BQ3	1
30	71.1325.5.048	SENSOR PLATE	1
31	08.6850.4.000	WASHER M4	4
32	08.6850.6.000	WASHER 6,4	2
33	08.6842.6.000	WASHER M6	2

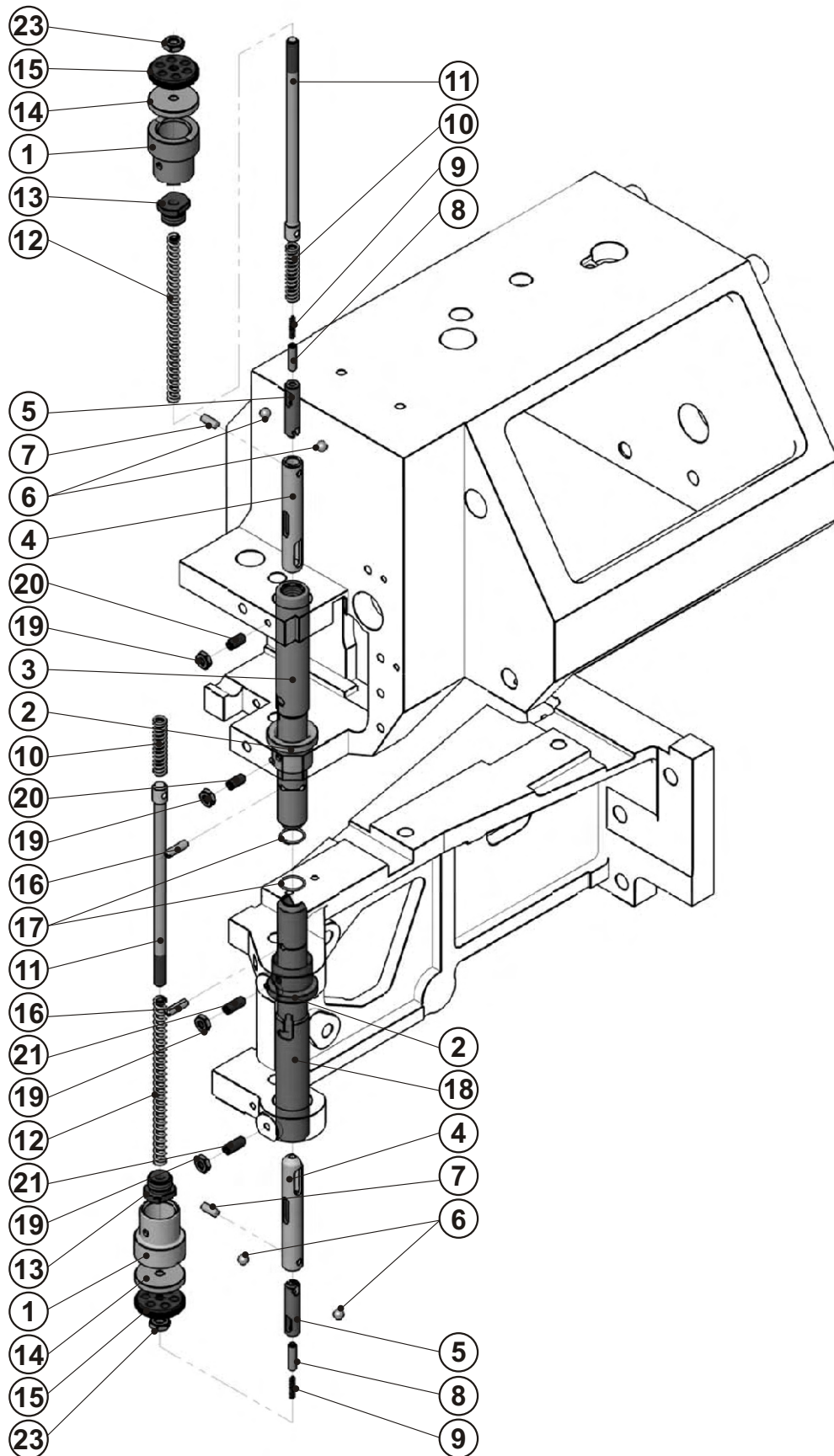
BUTTON CHUCK JAW



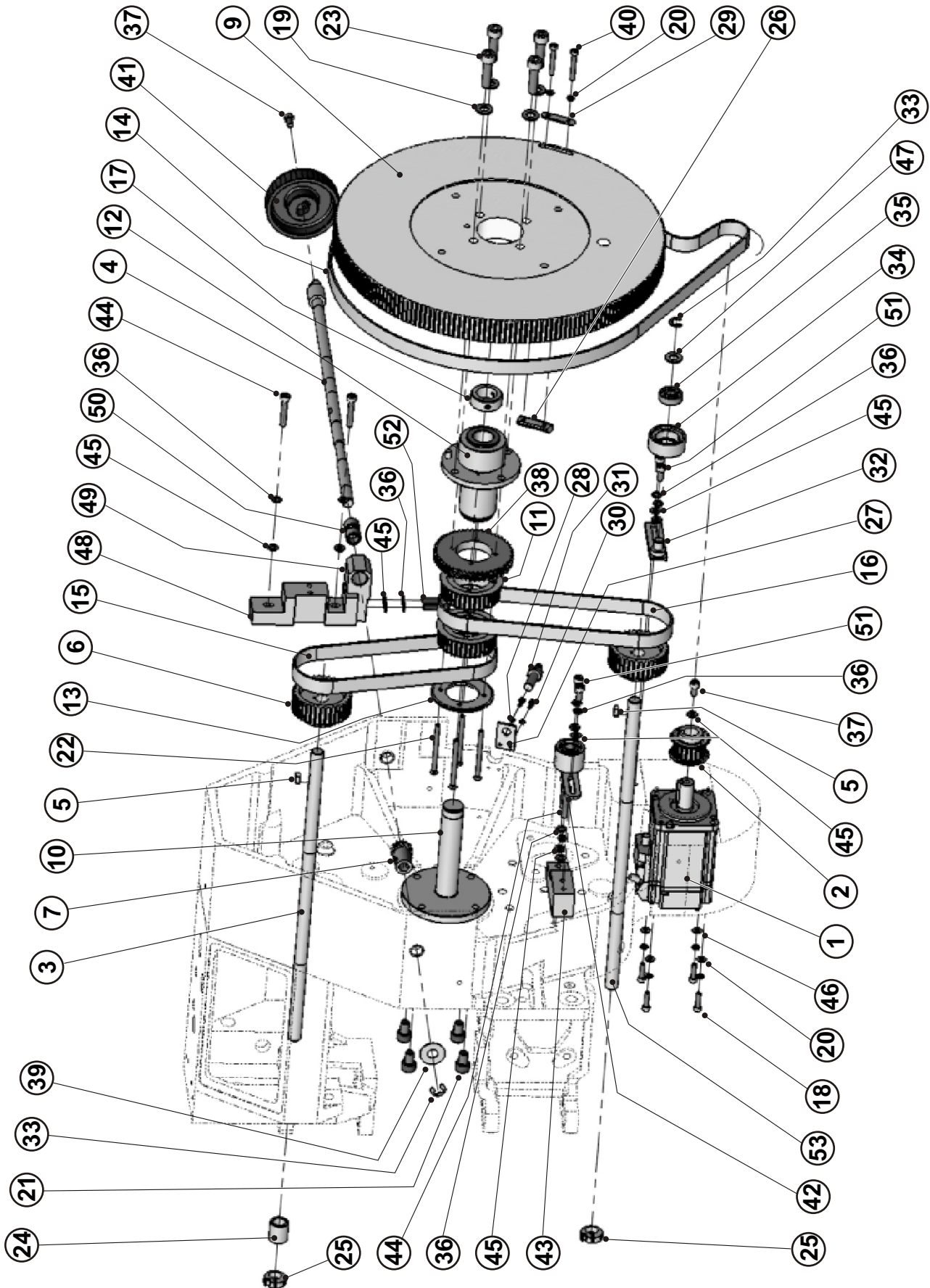
NEEDLE BAR MECHANISM LOWER AND UPPER



NEEDLE BAR ASSEMBLY



GEAR TRAIN AND MOTOR ASSEMBLY

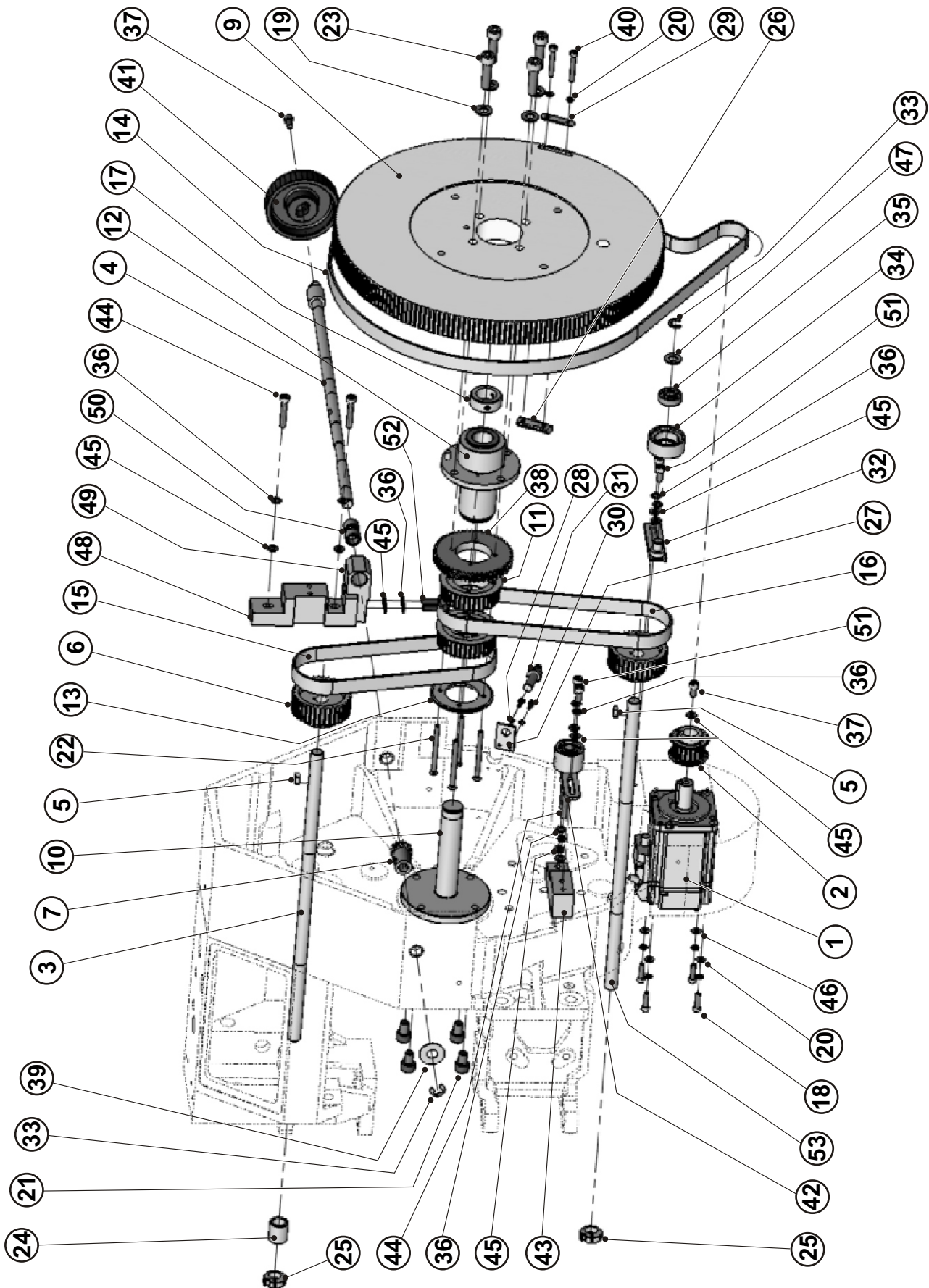


GEAR TRAIN AND MOTOR ASSEMBLY

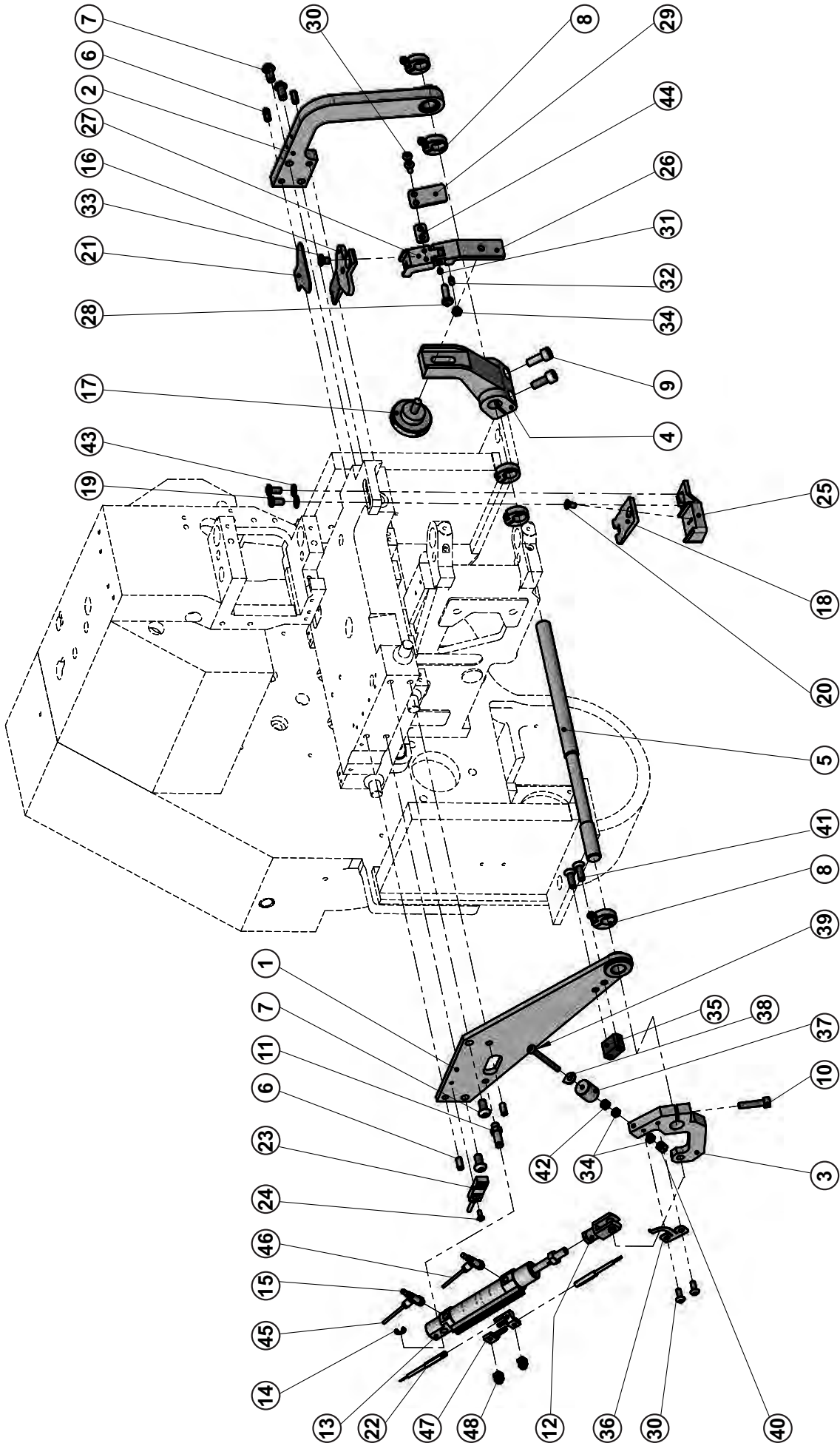


DET	PART NUMBER	DESCRIPTION	QTY.	
01	12.0010.4.177	SERVO MOTOR	1	
02	71.1634.1.146	PULLEY	1	
03	71.1172.8.011	LOOPER SHAFT	1	
04	71.1173.7.040	SHAFT	1	
05	12.4030.0.412	KEY	2	
06	71.1622.5.012	PULLEY	2	
07	71.1622.5.025	GEAR	1	
08	12.4030.0.001	KEY	1	
09	71.1651.6.019	CAM - NEEDLE BAR	•••	1
10	71.1184.6.001	DRIVE GEAR STUD		1
11	71.1179.3.001	PULLEY		2
12	71.1178.4.003	HOLDER		1
13	71.1178.4.006	WASHER		1
14	12.5050.2.017	BELT 1150 5M GT15	•••	1
15	12.5050.2.016	BELT 460 5M GT15		1
16	12.5050.2.015	BELT 510 5M GT15		1
17	71.1178.4.007	COLLAR 20H8		1
18	08.6000.4.016	SCREW M4-16		4
19	08.6852.8.000	WASHER M8		4
20	08.6802.4.000	SPRING WASHER M4		6
21	08.6000.8.012	SCREW M8-12		4
22	08.6112.4.055	SCREW M4-55		4
23	08.6000.8.030	SCREW M8-30		4
24	71.1313.2.211	BUSHING	•••	1
25	17.0043.6.351	COLLAR 12		2
26	71.1325.5.047	SENSOR SEGMENT		1
27	71.1223.6.103	HOLDER		1
28	08.6802.3.000	SPRING WASHER M3		2
29	71.1223.6.104	PLATE		1
30	08.6000.3.008	SCREW M3-8		2
31	12.0010.4.093	SENSOR		1
32	71.1178.4.010	TIGHTENER ROLLER		1
33	17.0027.4.085	LOCK RING 7		2
34	71.1178.4.008	ROLL		1
35	07.6321.0.020	BEARING		1
36	08.6802.5.000	SPRING WASHER M5		6
37	08.6000.5.010	SCREW M5-10		5
38	71.1178.4.004	GEAR		1
39	07.6321.0.001	BEARING PLATE		1
40	08.6000.4.030	SCREW M4-25		2
41	71.1671.2.025	HAND WHEEL	•	1
42	15.1128.0.050	TENSION PULLEY		1
43	71.1223.6.105	SPACER		1
44	08.6000.5.030	SCREW M5-30		2
45	08.6852.5.000	WASHER 5,3		2

GEAR TRAIN AND MOTOR ASSEMBLY



ADJUSTABLE LIFT TONGUE

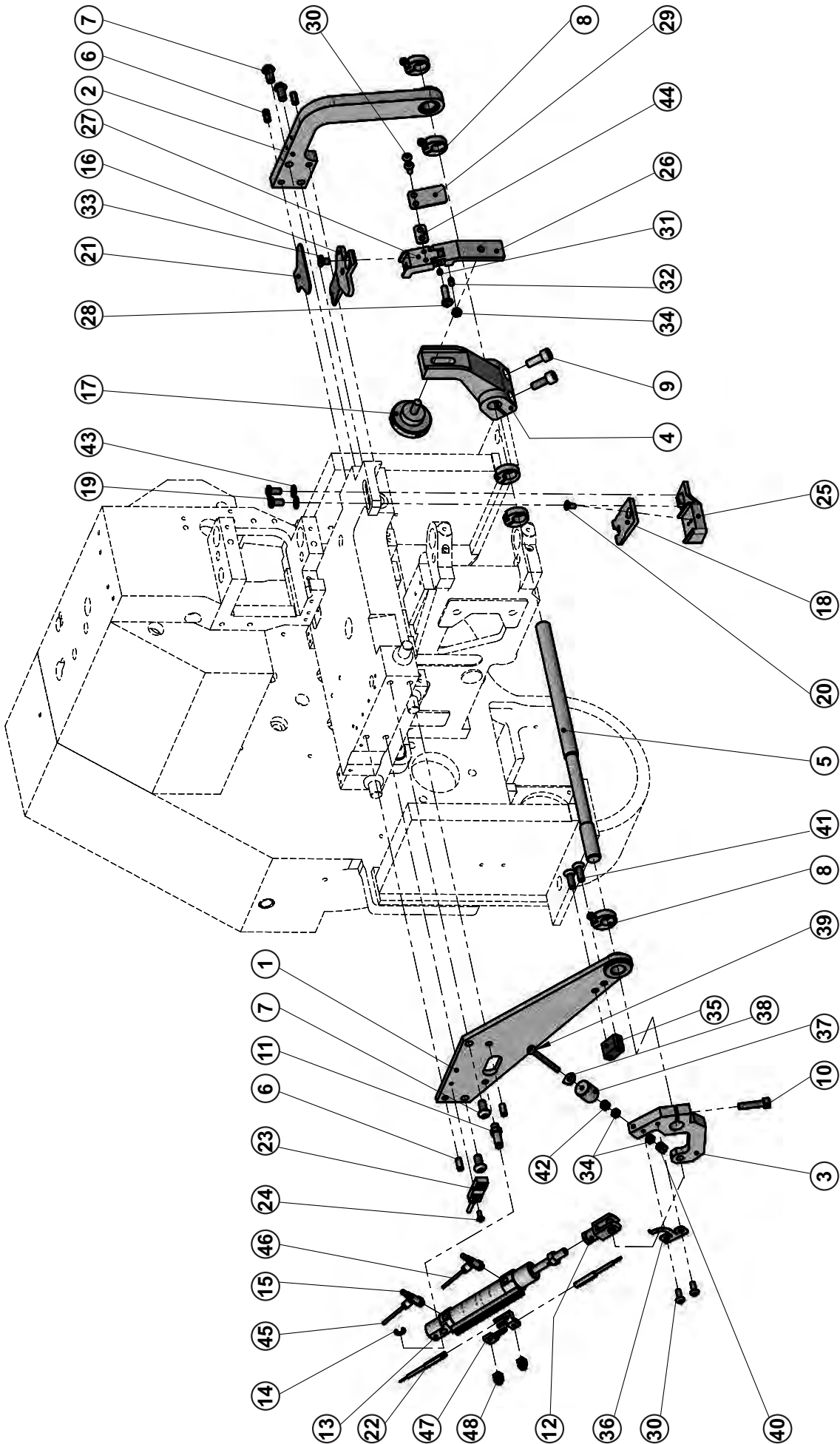


ADJUSTABLE LIFT TONGUE



DET	PART NUMBER	DESCRIPTION	QTY.
01	71.1664.1.201	PLATE-LEFT •	1
02	71.1664.1.202	PLATE-RIGHT •	1
03	71.1665.1.018	LEVER	1
04	71.1664.1.079	LEVER •	1
05	71.1129.1.026	TONGUE BAR	1
06	12.1014.0.510	SPRING	4
07	08.6202.6.012	SCREW M6-12	4
08	17.0043.6.351	COLLAR 12	5
09	08.6002.6.016	SCREW M6-16	2
10	08.6002.5.022	SCREW M5-22	1
11	71.1273.9.139	STUD	1
12	12.0008.3.806	KNUCKLE	1
13	12.0008.3.808	CYLINDER	1
14	12.1045.0.004	RETAINING RING 4	1
15	12.0008.3.815	SPEED CONTR. AS	2
16	71.1664.1.081	TONGUE (4-HOLE)	1
17	71.1169.6.006	TANG KNOB	1
18	71.1453.8.032	PUCKER PIN	1
19	08.6050.5.010	SCREW M5-10	2
20	08.6100.4.008	SCREW M4-8	1
21	71.1001.4.460	ANTI-SLIP MAT •••	1
22	06.7100.0.030	SENSOR BQ7	2
23	06.7100.0.024	SENSOR FLAT BQ6	1
24	08.6100.3.008	SCREW M3-8	1
25	71.1664.1.090	HOLDER	1
26	71.1664.1.085	ARM	1
27	71.1664.1.086	HOLDER	1
28	71.1664.1.087	STUD	1
29	71.1664.1.088	FLAT SPRING 1mm	1
30	08.6202.4.010	SCREW M4-10	4
31	08.6400.4.004	SCREW M4-4	1
32	08.6400.4.008	SCREW M4-8	1
33	08.6102.5.008	SCREW M5-8	1
34	08.6710.4.000	NUT M4	3
35	71.1665.1.017	ENDSTOP	1
36	71.1665.1.019	SPRING	1
37	71.1665.1.020	NUT M4	1
38	71.1665.1.021	ARROW	1
39	71.1665.1.022	SCREW M4x43	1
40	19.0016.3.406	NUT M4-6,5 CLOSED	1
41	08.6102.5.016	SCREW M5-16	2
42	08.6700.4.000	NUT M4	1
43	08.6850.5.000	WASHER 5,3	2
44	71.1664.1.093	WASHER	1
45	12.0008.3.749	AIR TUBING - J5A •••	1

ADJUSTABLE LIFT TONGUE

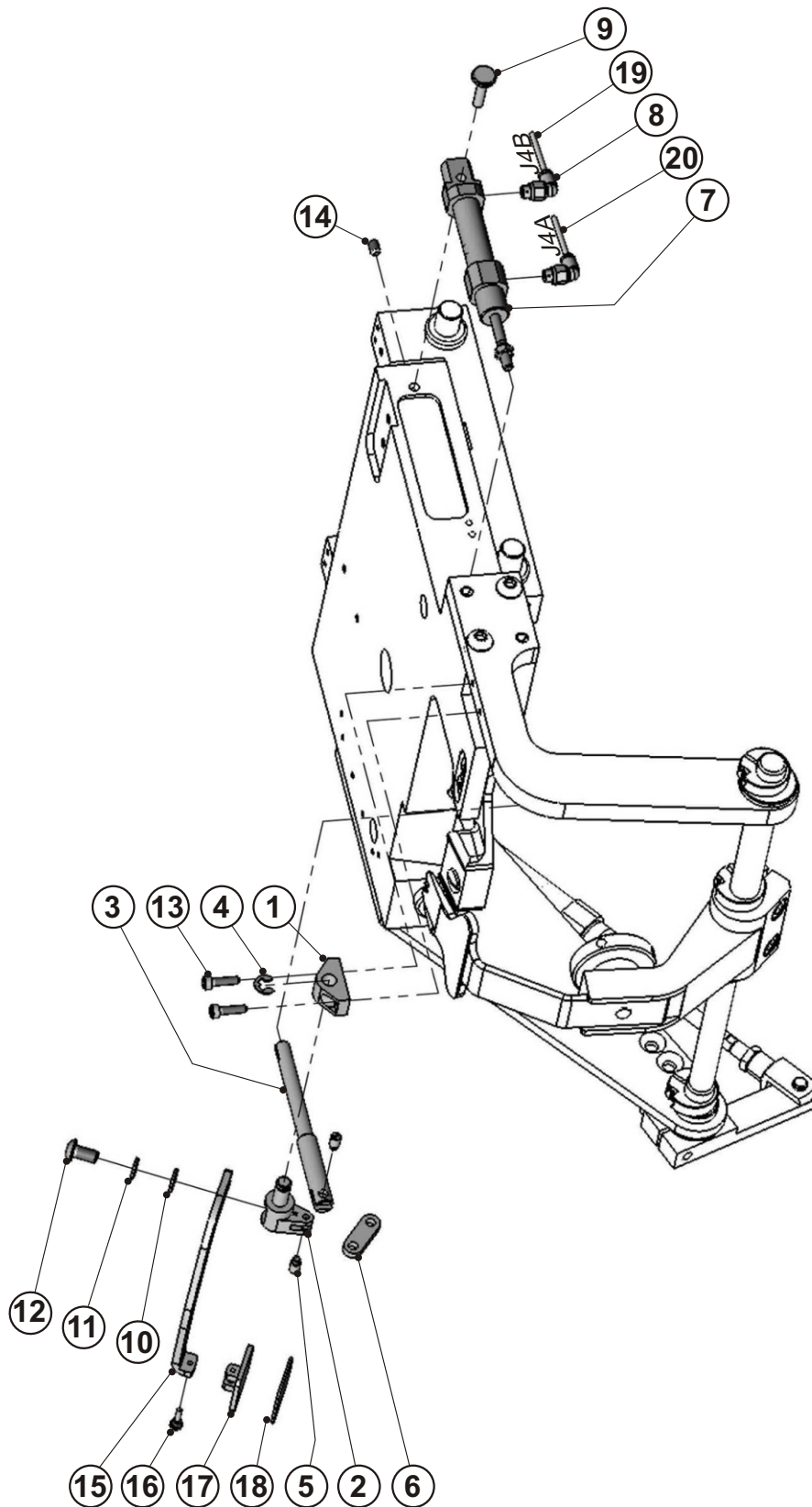


ADJUSTABLE LIFT TONGUE

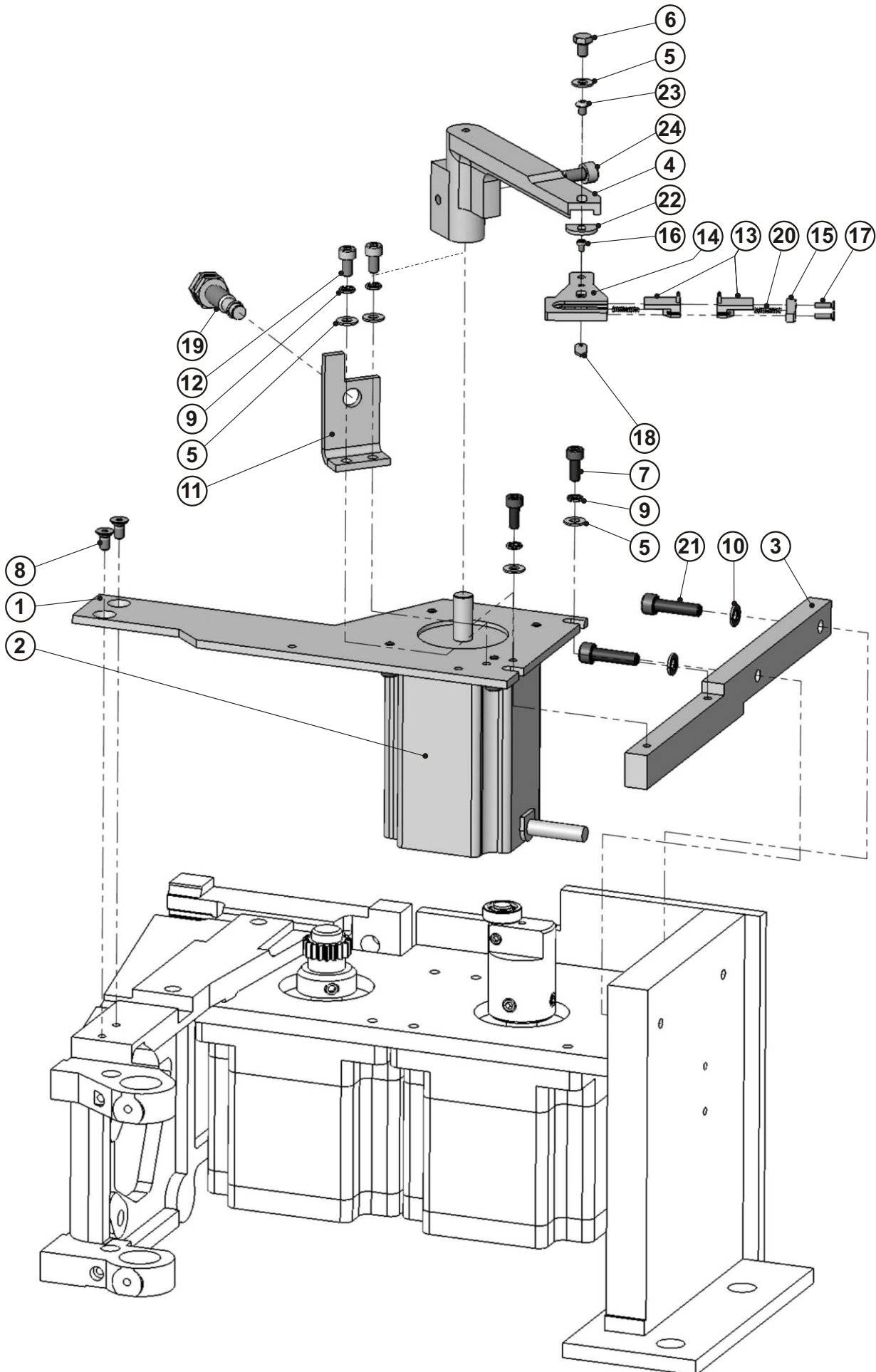


DET	PART NUMBER	DESCRIPTION	QTY.
46	12.0008.3.749	AIR TUBING - J8A	1
47	12.0010.3.008	SENSOR HOLDER - BQ2-012	2
48	12.0010.3.007	SCREW AND NUT - BQ-1	2

RETAINER ASSEMBLY



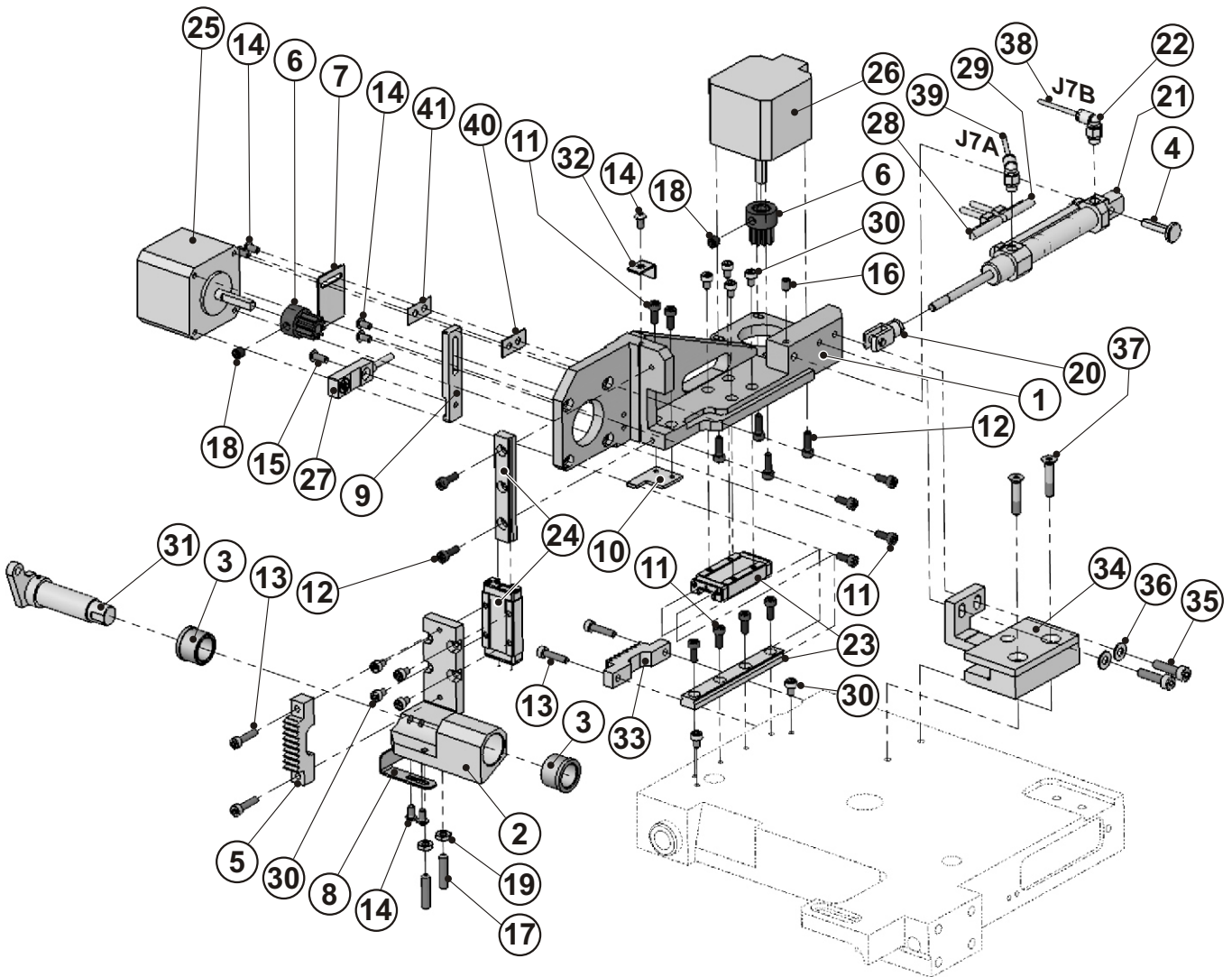
NEEDLE BAR MECHANISM LOWER AND UPPER



NEEDLE BAR MECHANISM LOWER AND UPPER

DET	PART NUMBER	DESCRIPTION	QTY.
01	71.1276.9.191	PLATE	1
02	06.7100.0.013	MOTOR	1
03	71.1652.0.004	HOLDER	1
04	71.1187.2.018	ARM	1
05	08.6850.4.000	WASHER M4	5
06	08.6310.4.006	SCREW M4-6	1
07	08.6000.4.010	SCREW M4-10	6
08	08.6100.4.008	SCREW M4-8	2
09	08.6800.4.000	SPRING WASHER 4	8
10	08.6800.5.000	SPRING WASHER M5	2
11	71.1652.0.006	SENSOR HOLDER	1
12	08.6000.4.008	SCREW M4-8	2
13	71.1171.4.017	BLOCK 2/3,5	2
14	71.1325.1.076	PLATE	1
15	71.1325.1.077	STOP	1
16	08.6012.2.003	SCREW M2-3	1
17	08.6102.2.008	SCREW M2-8	2
18	71.1325.1.078	STOP	1
19	12.0010.4.093	SENSOR BQ 5	1
20	17.0026.0.219	SPRING	2
21	08.6000.5.020	SCREW M5-20	2
22	71.1325.1.082	STOP	1
23	08.6200.3.004	SCREW M3-4	1
24	08.6000.5.010	SCREW M5-10	1

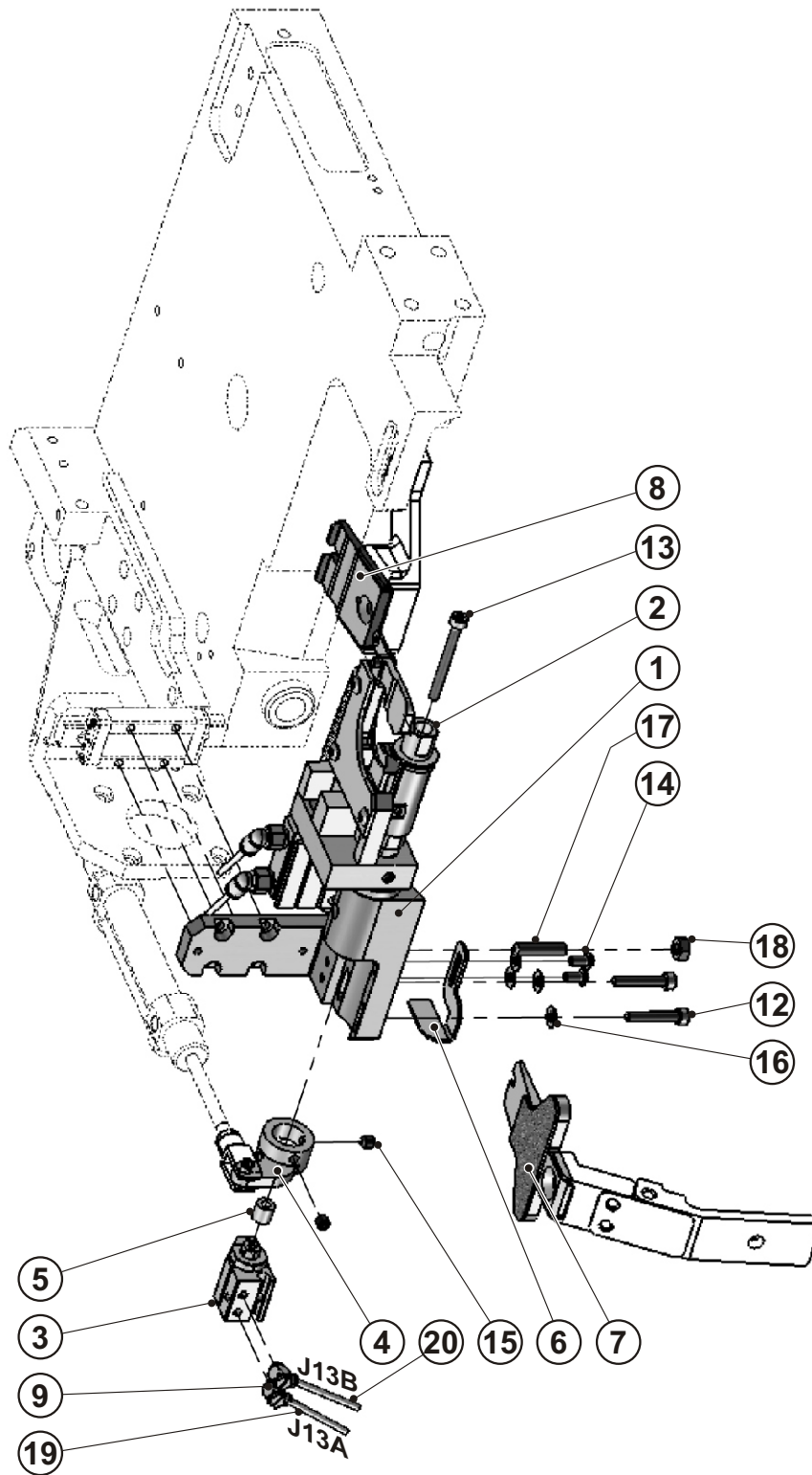
BUTTON CHUCK MECHANISM



BUTTON CHUCK MECHANISM

DET	PART NUMBER	DESCRIPTION	QTY.
01	71.1237.2.075	CONSOLE •	1
02	71.1552.8.008	BRACKET •	1
03	71.1651.8.074	BUSHING •••	2
04	71.1225.5.042	STUD	1
05	71.1651.8.070	RACK	1
06	71.1634.0.012	PINION	2
07	71.1325.5.049	SENSOR PLATE	1
08	71.1325.5.050	SENSOR PLATE	1
09	71.1325.5.051	HOLDER	1
10	71.1325.5.052	ENDSTOP	1
11	08.6000.3.008	SCREW M3-8	11
12	08.6000.3.010	SCREW M3-10	6
13	08.6000.3.014	SCREW M3-14	4
14	08.6200.3.006	SCREW M3-6	7
15	08.6200.3.008	SCREW M3-8	1
16	08.6400.4.006	SCREW M4-6	1
17	08.6400.4.018	SCREW M4-18	2
18	08.6400.5.005	SCREW M5-5	2
19	08.6712.4.000	NUT M4	2
20	12.0008.3.738	KNUCKLE	1
21	12.0008.3.881	CYLINDER	1
22	12.0008.3.809	CONNECTOR	2
23	71.1651.8.095	LINEAR GIUDE 70	1
24	71.1651.8.096	LINEAR GUIDE 57	1
25	06.7100.0.012	MOTOR U4	1
26	06.7100.0.014	MOTOR U6	1
27	06.7100.0.023	SENSOR BQ4	1
28	06.7100.0.031	SENSOR BQ8	1
29	06.7100.0.032	SENSOR BQ9	1
30	08.6000.3.005	SCREW M3-5	10
31	71.1651.8.076	LEVER - ASSEMBLY	1
32	71.1325.5.054	ENDSTOP	1
33	71.1651.8.092	RACK	1
34	71.6482.0.005	GUIDING	1
35	08.6000.4.016	SCREW M4-16	2
36	08.6850.4.000	WASHER M4	2
37	08.6100.4.020	SCREW M4-20	2
38	12.0008.3.749	AIR TUBING - J7B •••	1
39	12.0008.3.749	AIR TUBING - J7A •••	1
40	71.1325.5.058	WASHER	2
41	71.1325.5.059	WASHER	2

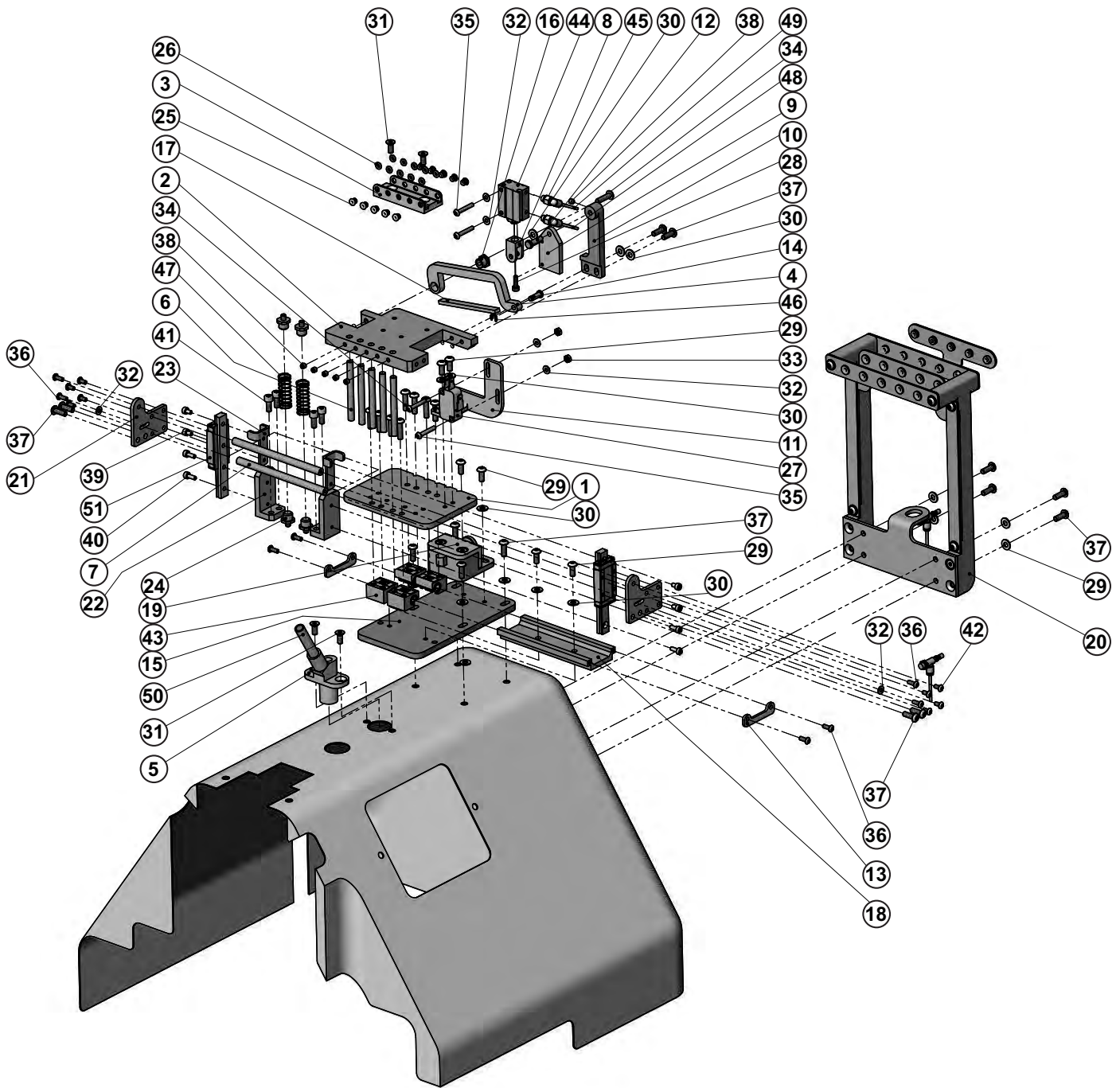
“V” ASSEMBLY



“V” ASSEMBLY

DET	PART NUMBER	DESCRIPTION	QTY.
01	71.1552.8.011	BRACKET - ASSEMBLY •	1
02	71.1651.8.091	STUD ASSEMBLY	1
03	71.1651.8.088	CUJB10-4D - ADAPTATION	1
04	71.1237.2.078	LEVER	1
05	71.1651.8.090	SPACER	1
06	71.1325.5.056	SENSOR PLATE	1
07	03.5571.0.023	TONGUE “V”	1
08	71.1453.8.033	PUCKER PIN “V”	1
09	12.0008.3.826	CONNECTOR M-3ALU-2	2
10	12.0008.3.482	PN. VALVE	1
11	06.7100.0.050	CABLE V-SHIFT ASSEMBLY	1
12	08.6000.3.018	SCREW M3-18	2
13	71.1651.8.093	SCREW M3-32	1
14	08.6200.3.006	SCREW M3-6	2
15	08.6400.4.004	SCREW M4-4	2
16	08.6850.3.000	WASHER 3,2	4
17	08.6400.4.018	SCREW M4-18	1
18	08.6700.4.000	NUT M4	1
19	12.0008.3.749	AIR TUBING - J13A •••	1
20	12.0008.3.749	AIR TUBING - J13B •••	1

FIVE THREADS SYSTEM

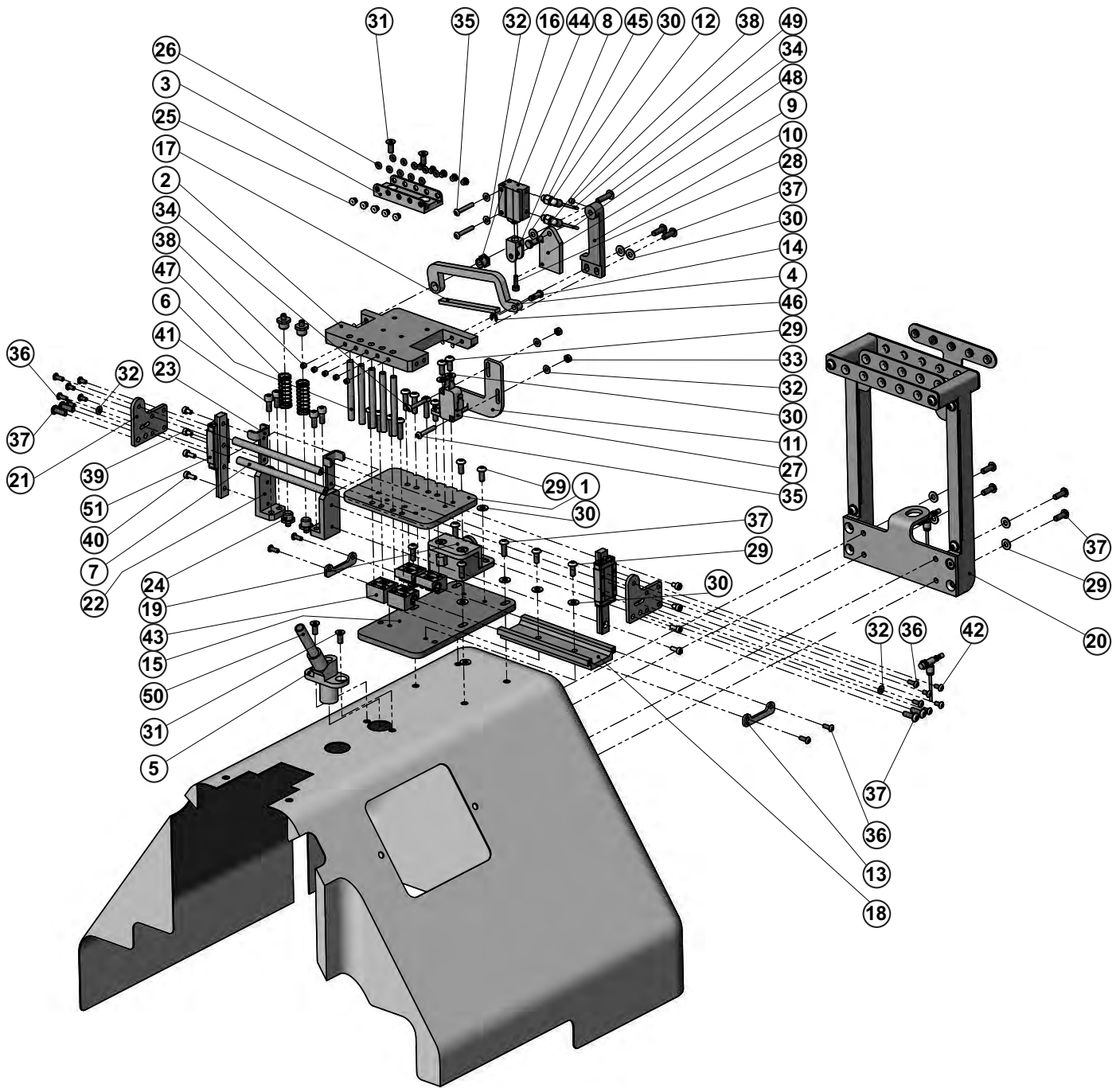


FIVE THREADS SYSTEM

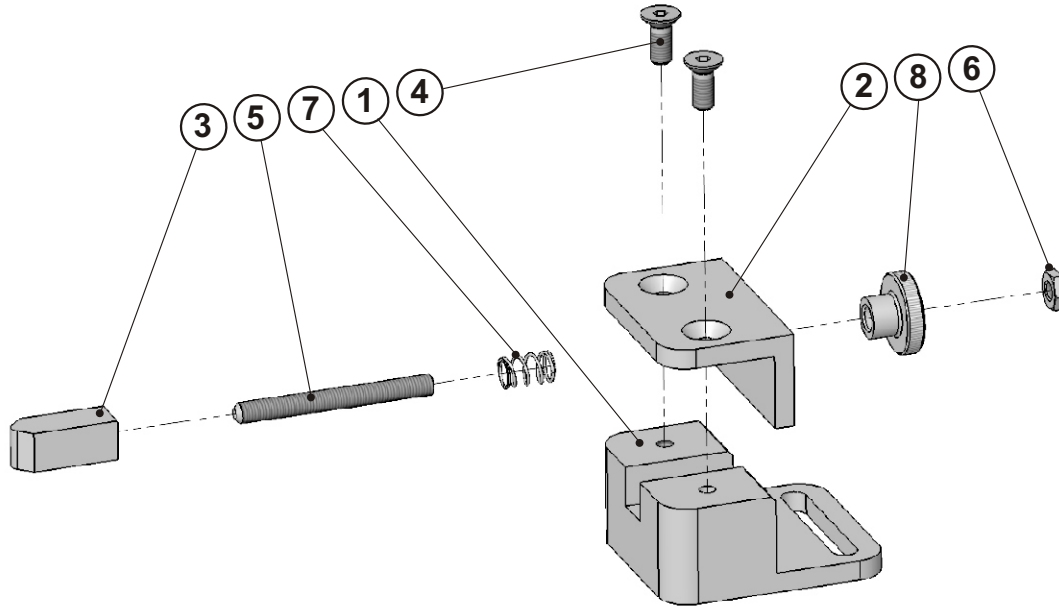


DET	PART NUMBER	DESCRIPTION	QTY.
01	71.1546.1.160	BASE PLATE	1
02	71.1546.1.161	PLATE	1
03	71.1546.1.103	LEADER	1
04	71.1546.1.104	BAR	1
05	71.1546.1.107	DIFFUSER	1
06	71.1546.1.108	TUBE	5
07	71.1546.1.109	CROSS-BAR	2
08	71.1546.1.111	KNUCKLE	1
09	71.1546.1.112	CYLINDER HOLDER	1
10	71.1546.1.113	BRACKET	1
11	71.1546.1.114	MICRO SWITCH HOLDER	1
12	71.1546.1.115	STUD	1
13	71.1546.1.116	END STOP	2
14	71.1546.1.118	STUD	1
15	71.1546.1.120	BASE PLATE	1
16	71.1546.1.121	ECCENTRIC	1
17	71.1546.1.122	PRESSURE PAD	1
18	71.1546.1.123	RAIL	1
19	71.6546.1.130	LOCK ASM.	1
20	71.6546.1.140	THREAD TENSION ASM.	1
21	71.1546.1.163	SIDEBOARD	2
22	71.1546.1.167	HOLDER	2
23	71.1546.1.168	END STOP	2
24	71.1546.1.169	PIN	4
25	01.7447.1.000	GUIDE	10
26	01.6551.0.000	O-RING 1,78x2.57	10
27	06.0120.0.000	SWITCH-MICRO	1
28	08.6202.4.010	SCREW M4-10	6
29	08.6852.4.000	WASHER M4	17
30	08.6102.4.010	SCREW M4-10	4
31	08.6852.3.000	WASHER M3	6
32	08.6702.3.000	NUT M3	2
33	08.6202.4.016	SCREW M4-16	9
34	08.6202.3.020	SCREW M3-20	4
35	08.6202.3.008	SCREW M3-8	8
36	08.6202.4.010	SCREW M4-10	14
37	08.6400.4.004	SCREW M4-4	6
38	08.6002.3.005	SCREW M3-5	4
39	08.6002.3.008	SCREW M3-8	4
40	08.6002.4.010	SCREW M4-10	4
41	08.6202.3.006	SCREW M3-6	8
42	12.2070.1.004	CARRIAGE	4
43	12.0008.3.631	CYLINDER	1
44	12.0008.3.809	CONNECTOR	2
45	12.1045.0.003	RETAINING RING 3,2	1

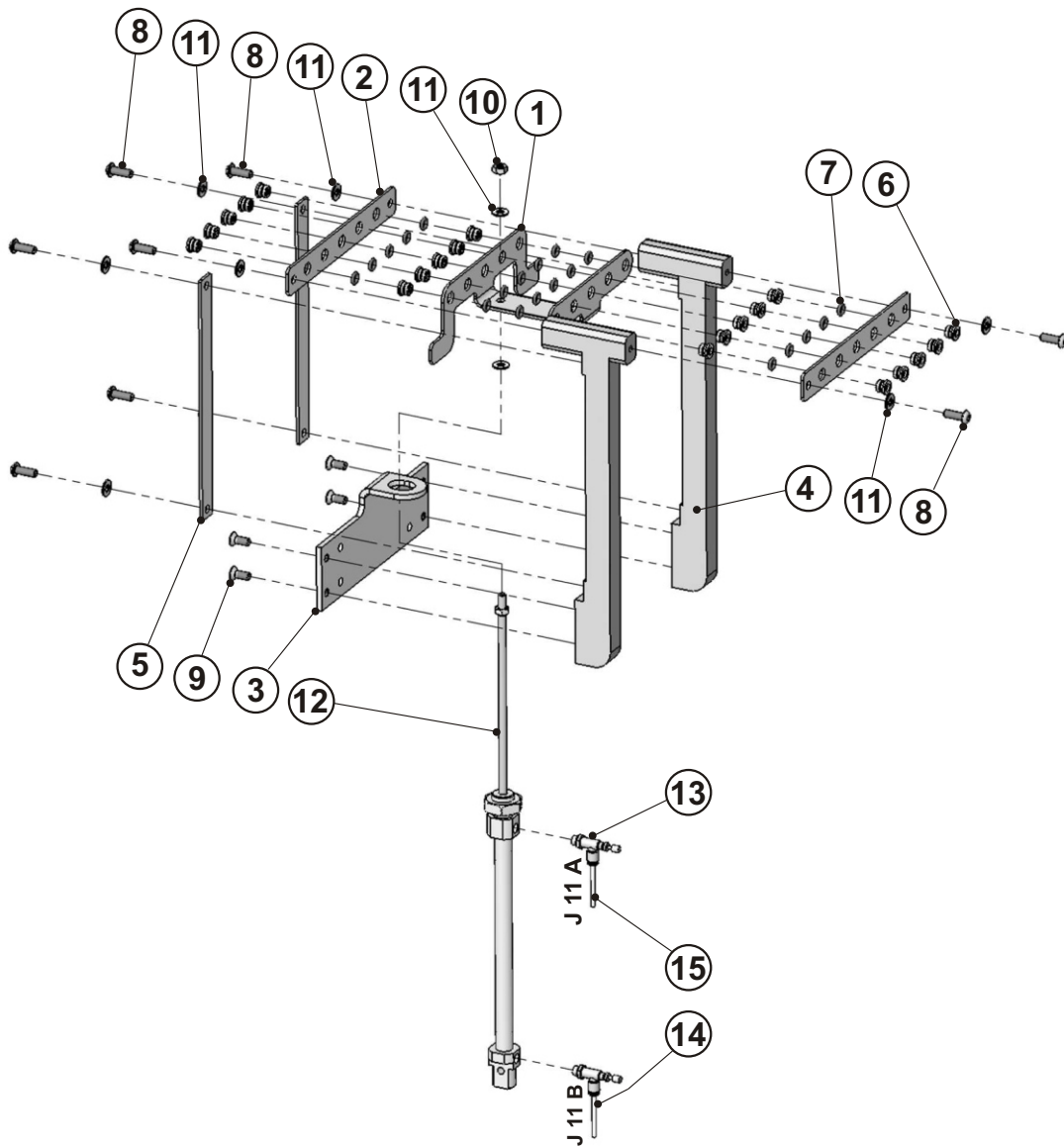
FIVE THREADS SYSTEM



LOCK ASSEMBLY



THREAD TENSION UPPER ASSEMBLY



LUBRICATION BOX ASSEMBLY

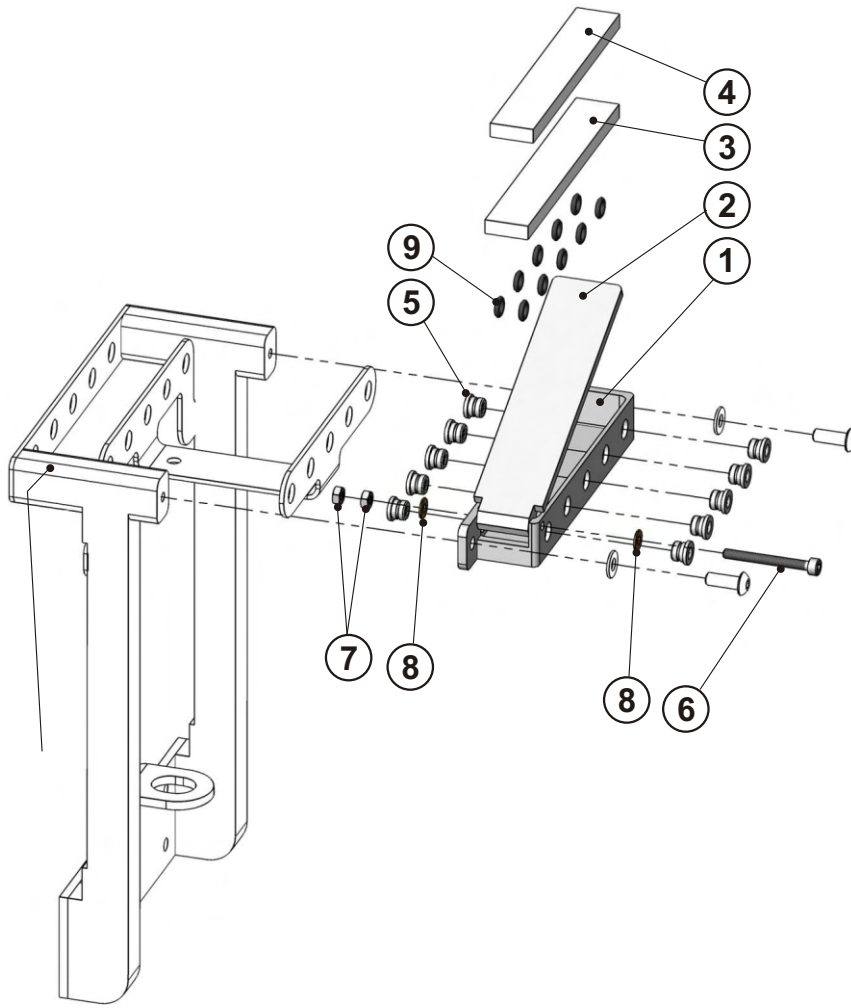
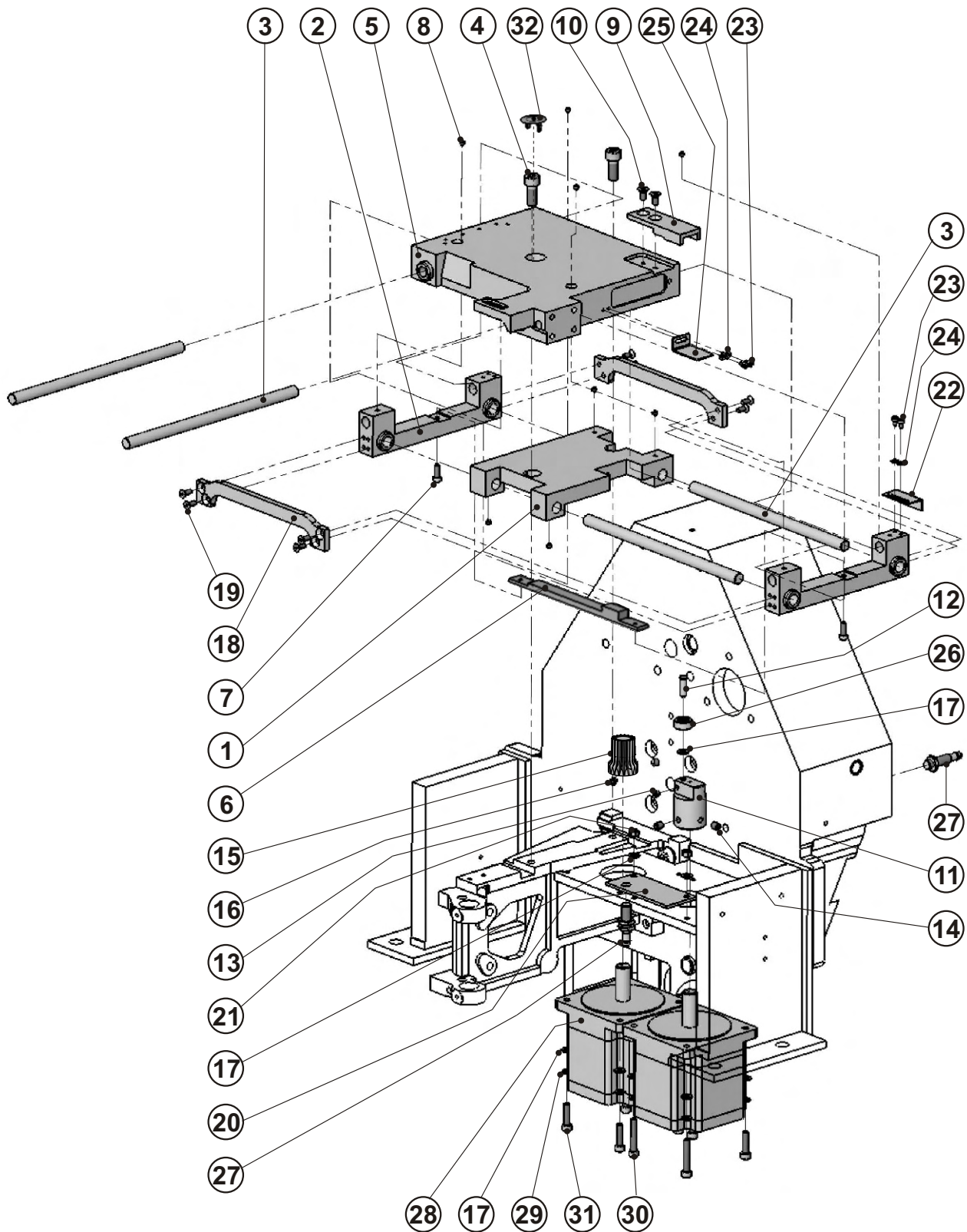
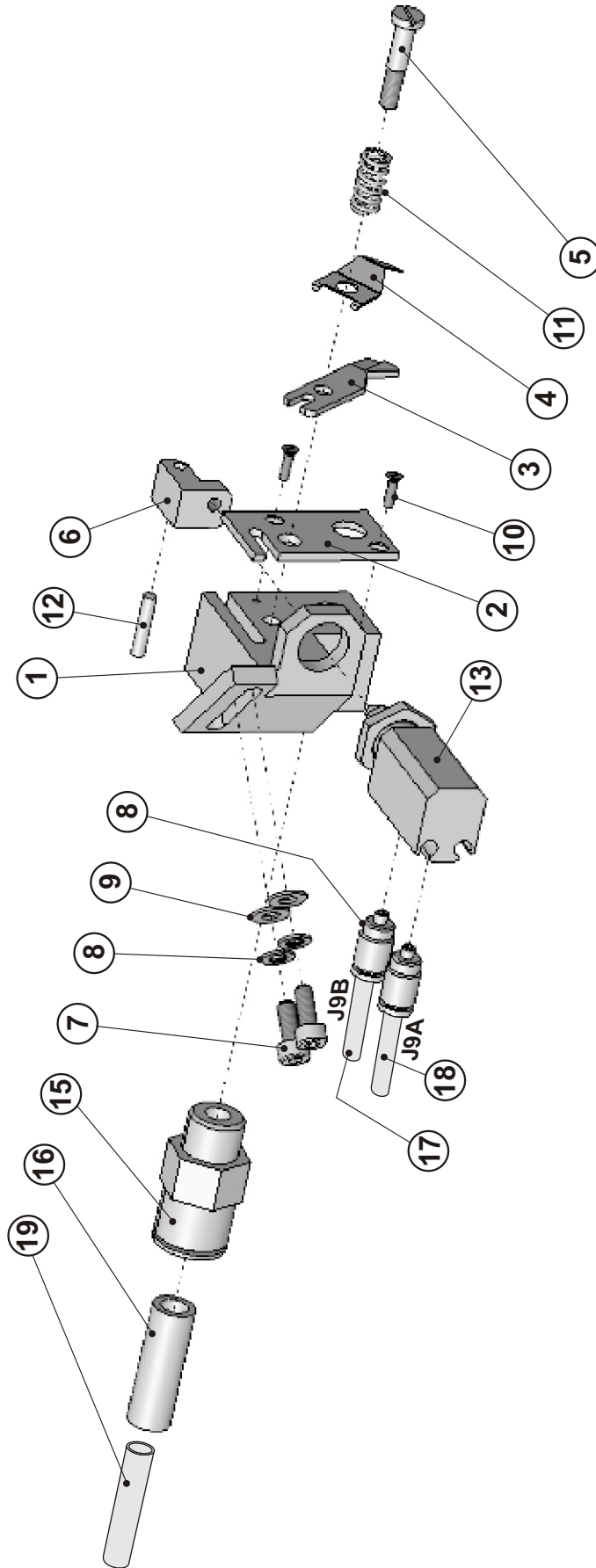


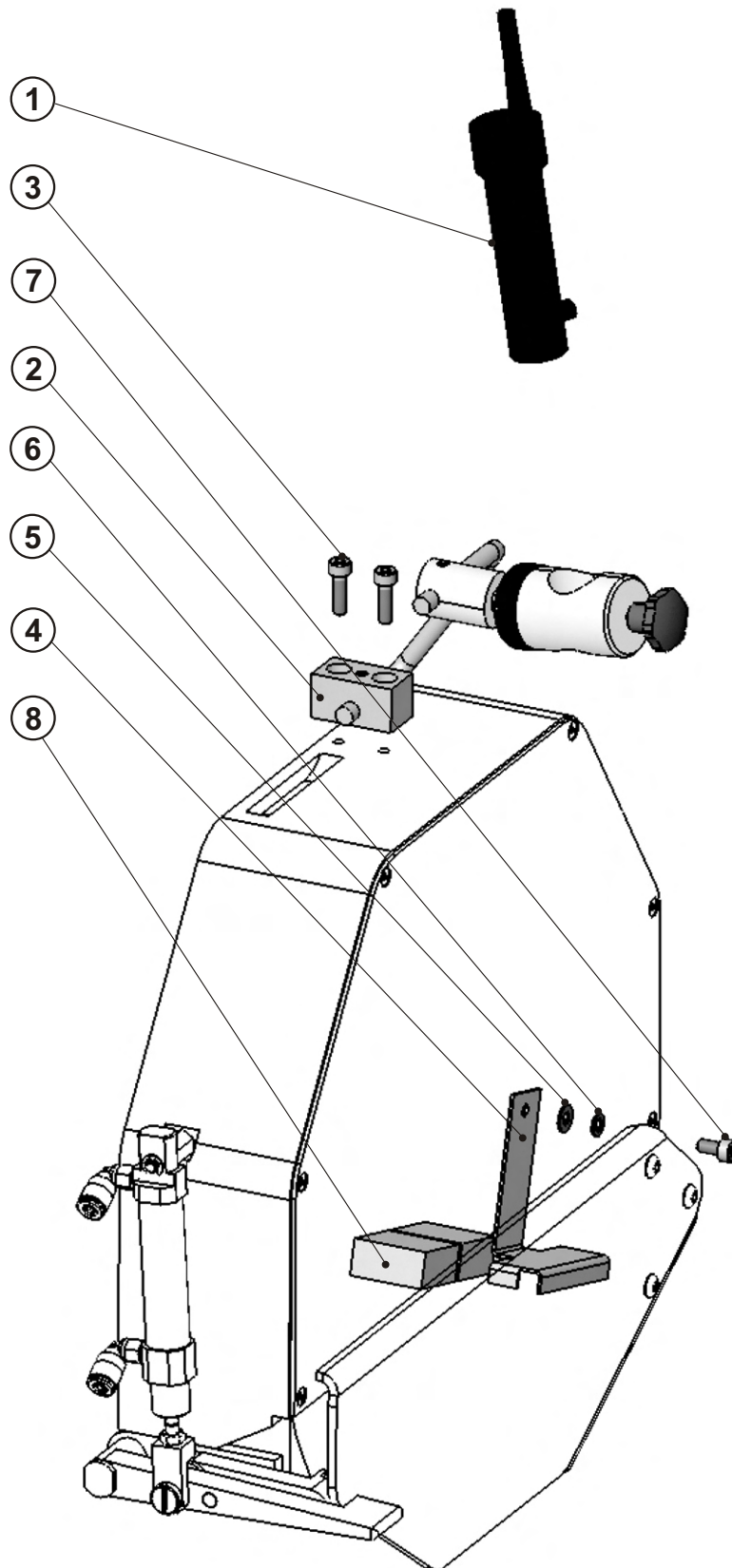
TABLE MECHANISM



AIR THREADING



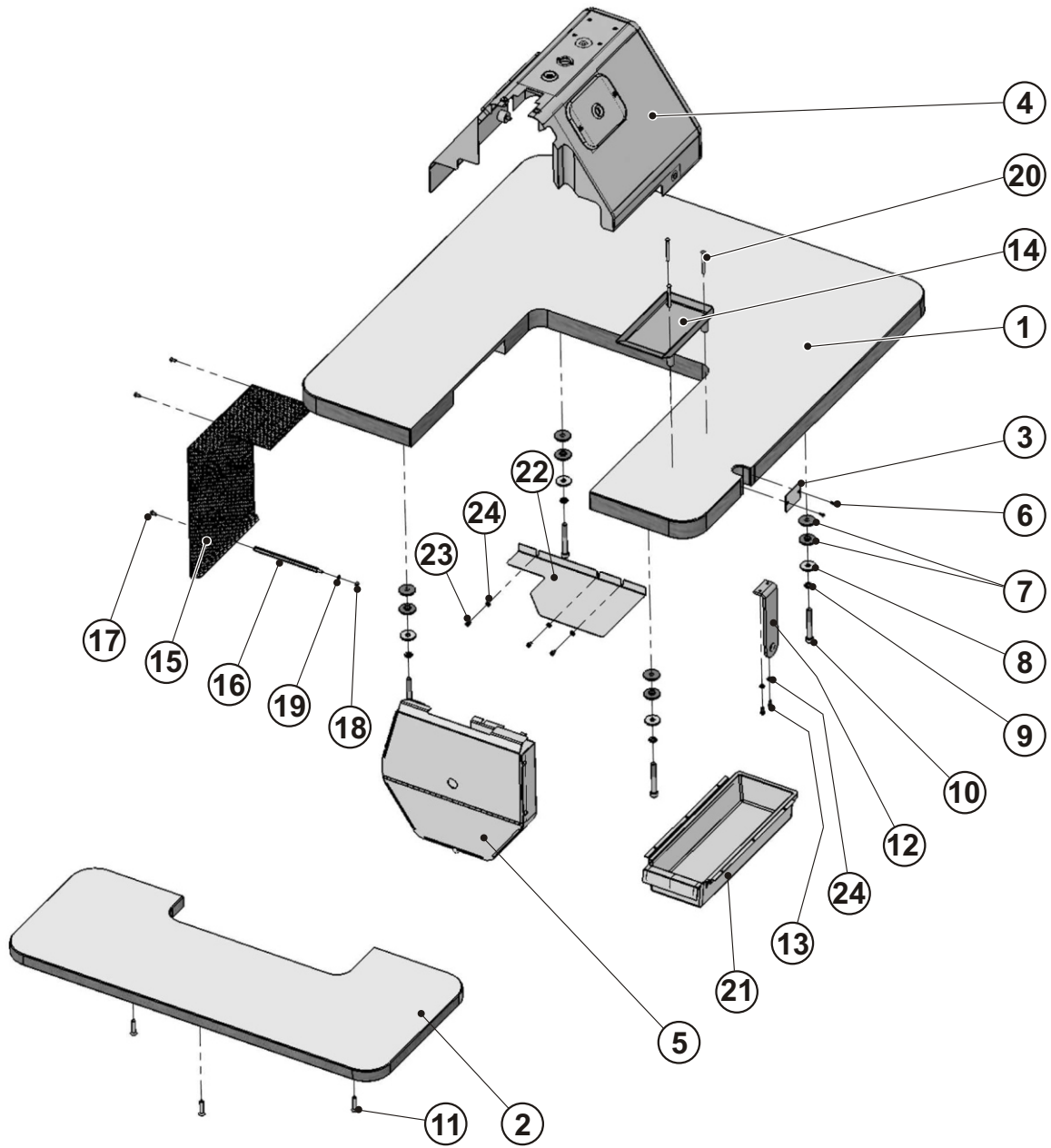
LIGHT ASSEMBLY



LIGHT ASSEMBLY

DET	PART NUMBER	DESCRIPTION	QTY.
01	12.0010.4.115	LED POINTER CROSS - RED	1
	12.0010.4.116	POINTER POWER SUPPLY MOUNTED ON EL.BOX BACKSIDE	1
02	12.0010.4.051	BRACKET 34 BALLJOINT	1
03	08.6000.4.015	SCREW M4-14	2
04	71.1451.5.108	LED LIGHT HOLDER	1
05	08.6852.4.000	WASHER M4	1
06	08.6802.4.000	SPRING WASHER M4	1
07	08.6000.4.008	SCREW M4-8	1
08	12.0010.4.036	LED KIT	1
		LED POWER SUPPLY MOUNTED EL.BOX BACKSIDE	

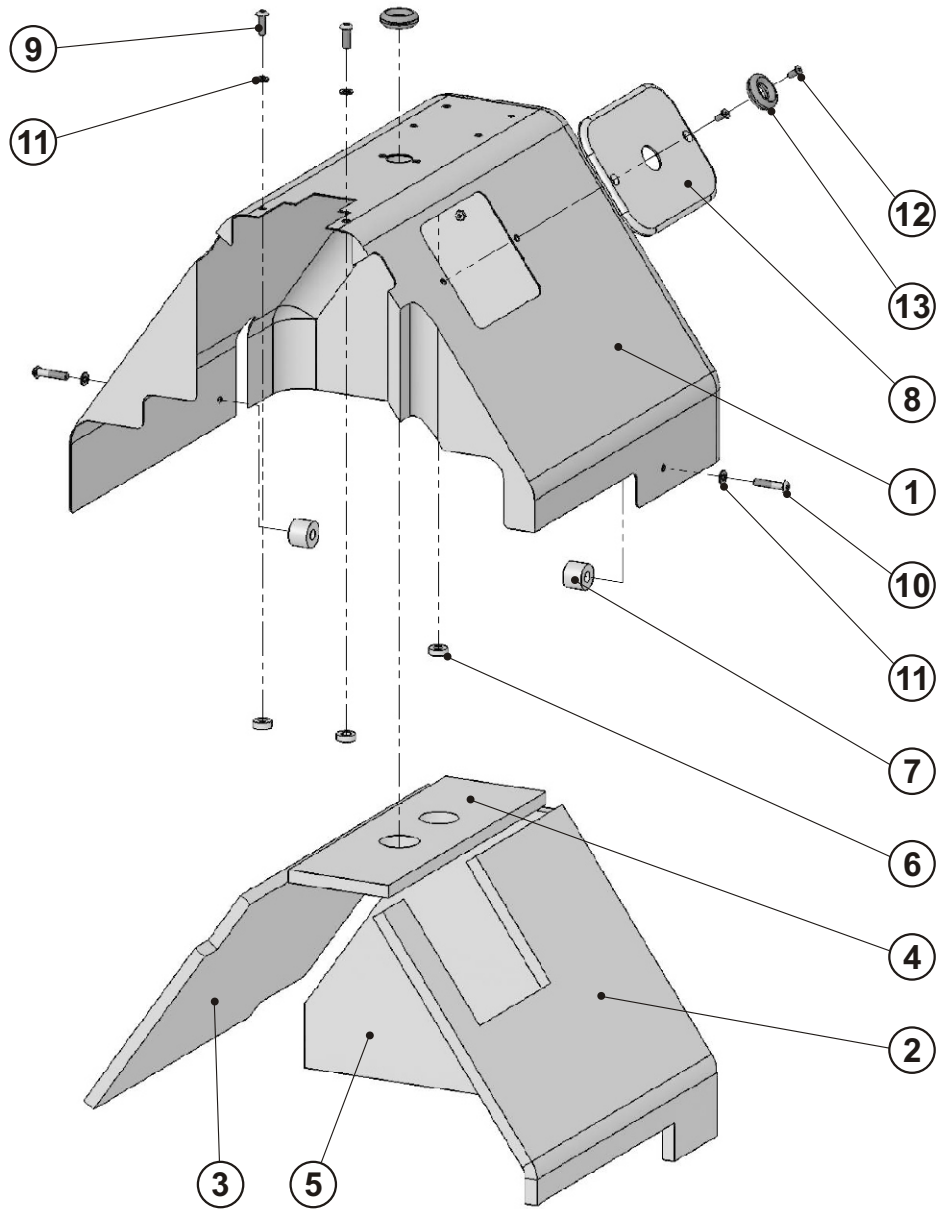
COVERS AND GUARDS ASSEMBLY



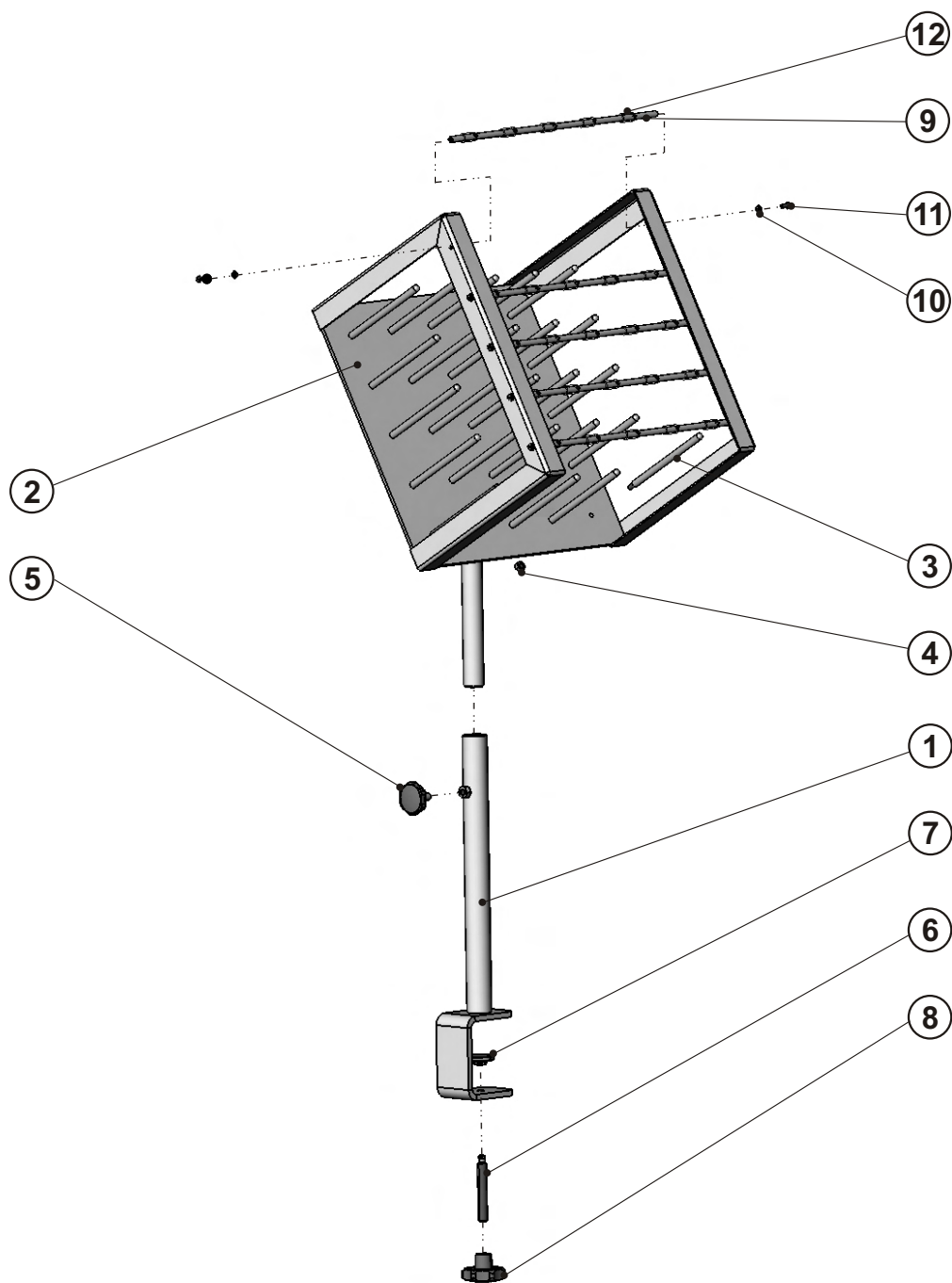
COVERS AND GUARDS ASSEMBLY

DET	PART NUMBER	DESCRIPTION	QTY.
01	04.9071.0.902	TABLE TOP ASSEMBLY ●●●	1
02	04.9071.0.903	TABLE ●●●	1
03	71.1261.3.035	PLATE	1
04	71.1570.0.033	COVER - HEAD - ASSEMBLY	1
05	71.1570.0.023	COVER - LOWER LOOPER	1
06	08.6646.3.016	SCREW 3-16	2
07	17.0095.1.272	RUBBER WASHER ●●●	8
08	17.0019.0.441	WASHER	4
09	08.6802.8.000	SPRING WASHER M8	4
10	08.6000.8.065	SCREW M8-65	4
11	08.6100.6.030	SCREW M6-30	3
12	71.1451.5.050	HOLDER	1
13	08.6000.4.010	SCREW M4-10	2
14	71.1570.0.037	RESERVOIR	1
15	71.1570.0.034	COVER	1
16	19.0014.6.412	DISTANCE NUT	1
17	08.6010.4.008	SCREW M4-8	3
18	08.6702.4.000	NUT M4	1
19	08.6832.4.000	WASHER M4	1
20	08.6646.4.050	SCREW 4x50	3
21	12.0008.6.901	BOX ●●●	1
22	71.1586.1.018	COVER	1
23	08.6000.4.006	SCREW M4-6	3
24	08.6850.4.000	WASHER M4	5

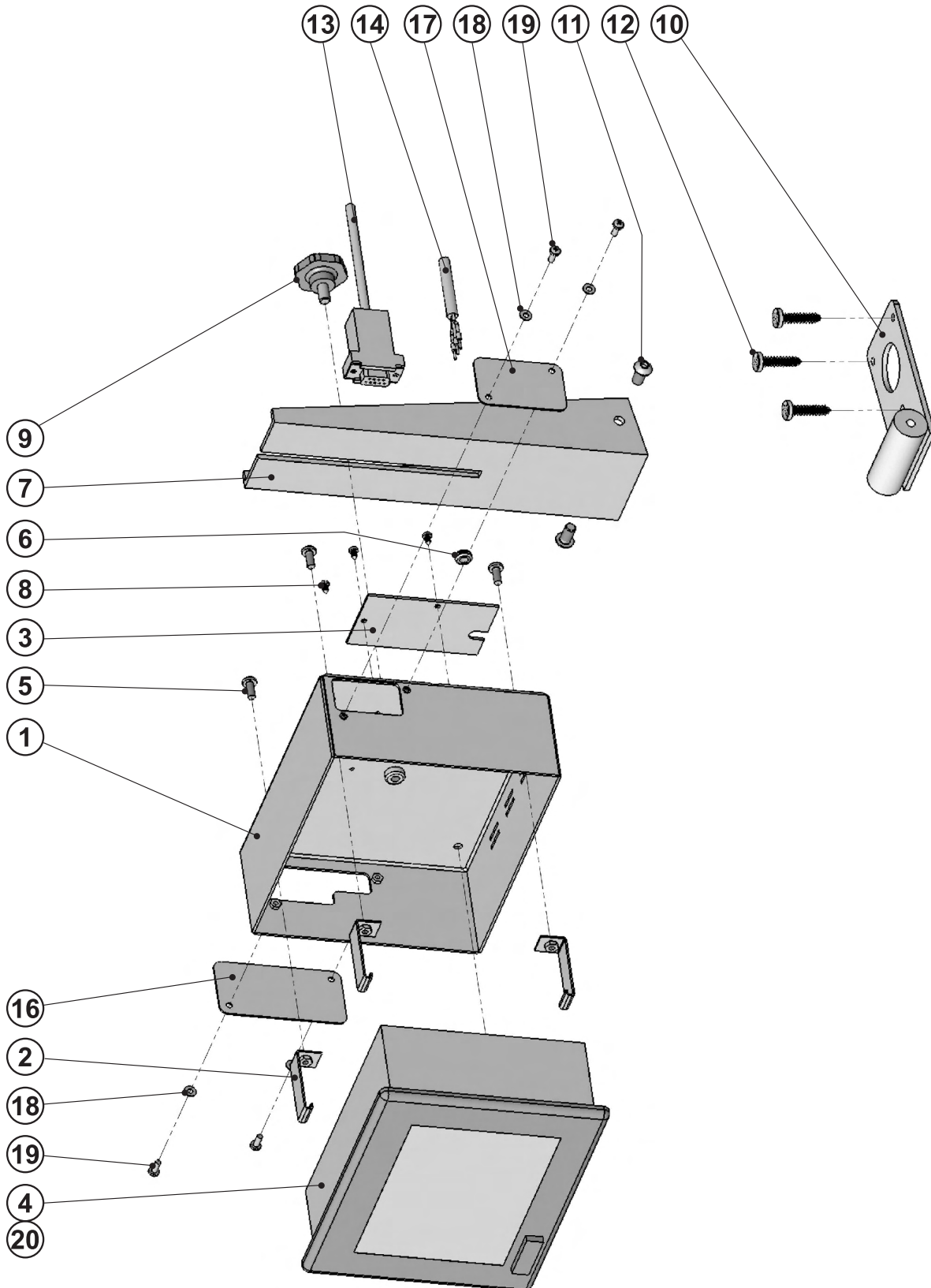
COVERS HEAD ASSEMBLY



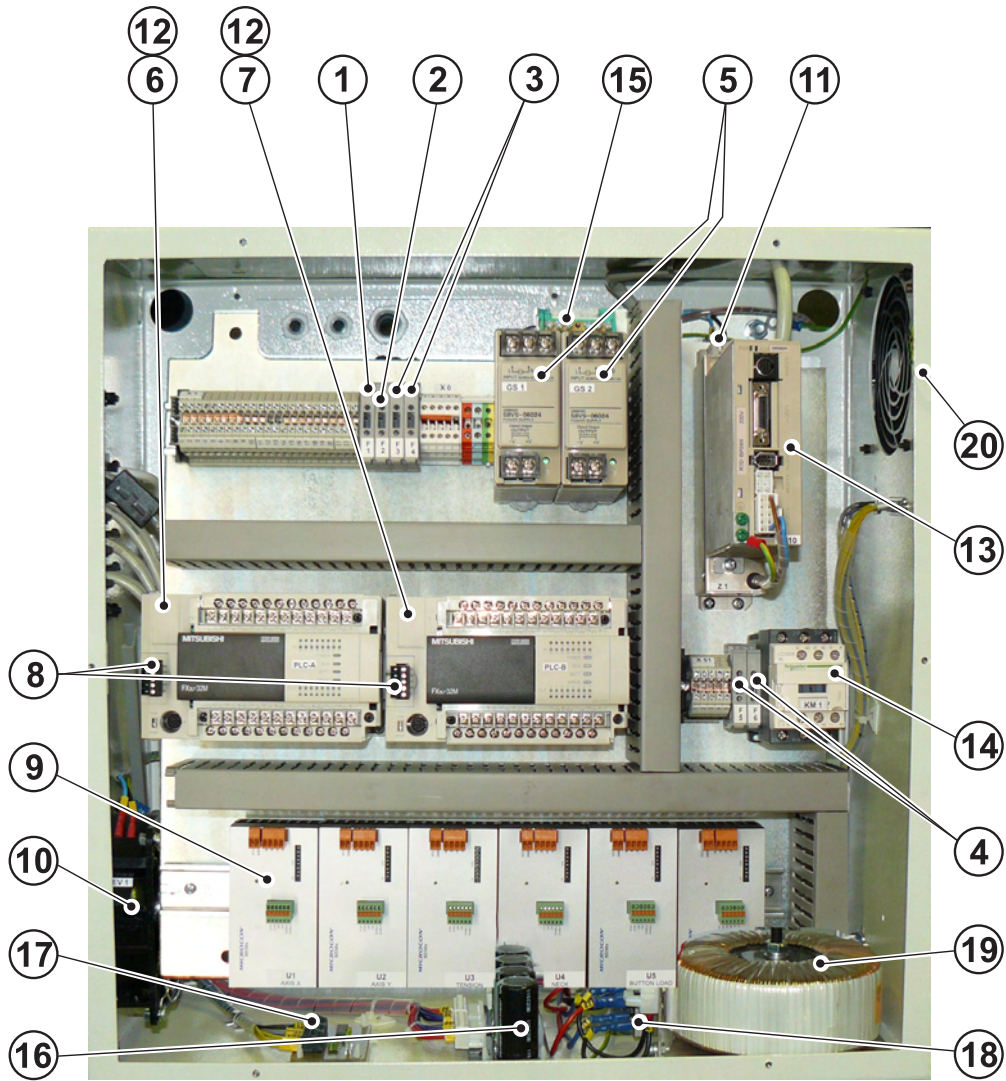
STAND THREAD



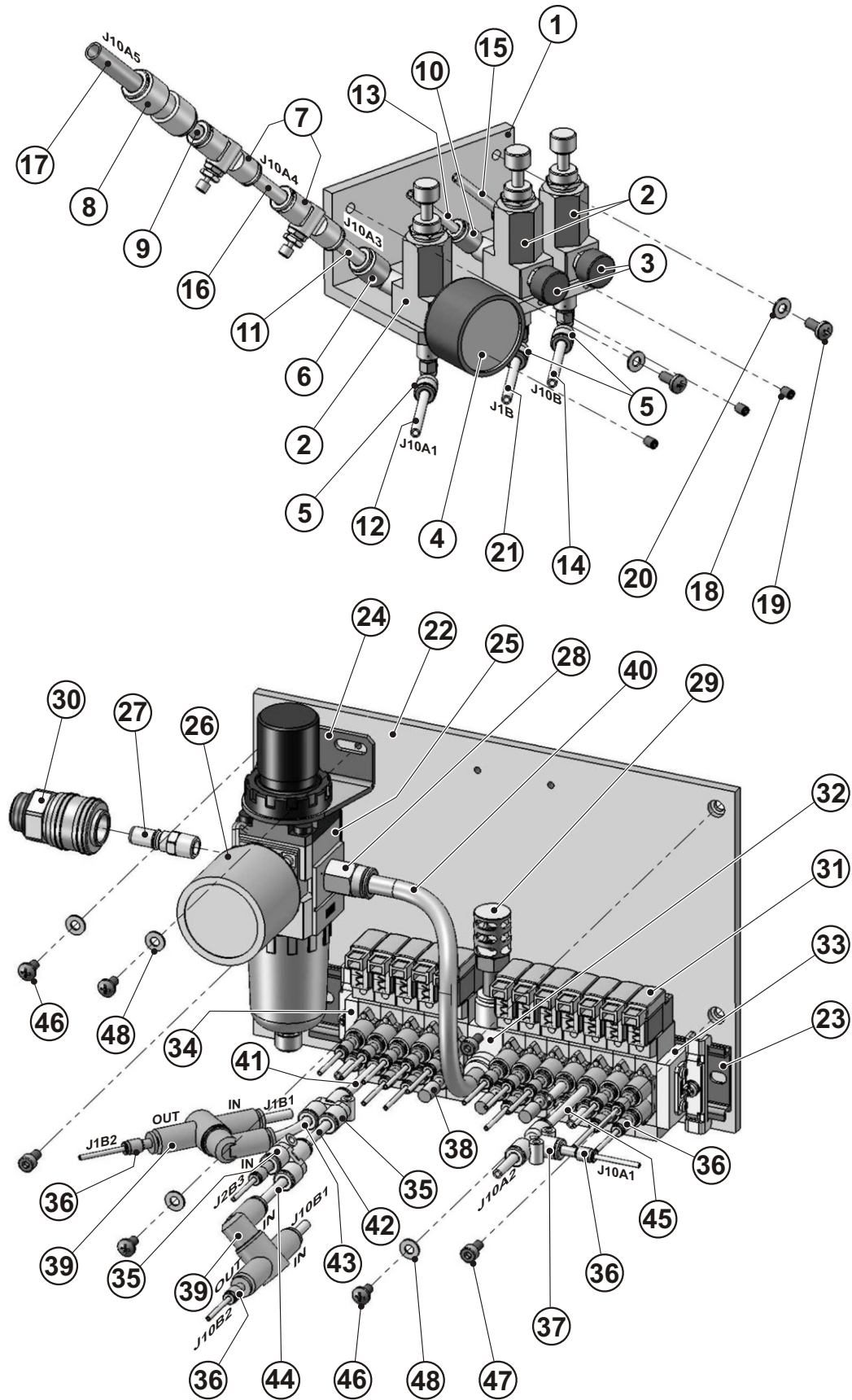
PANEL KIT GOT 1000



ELECTROBOX



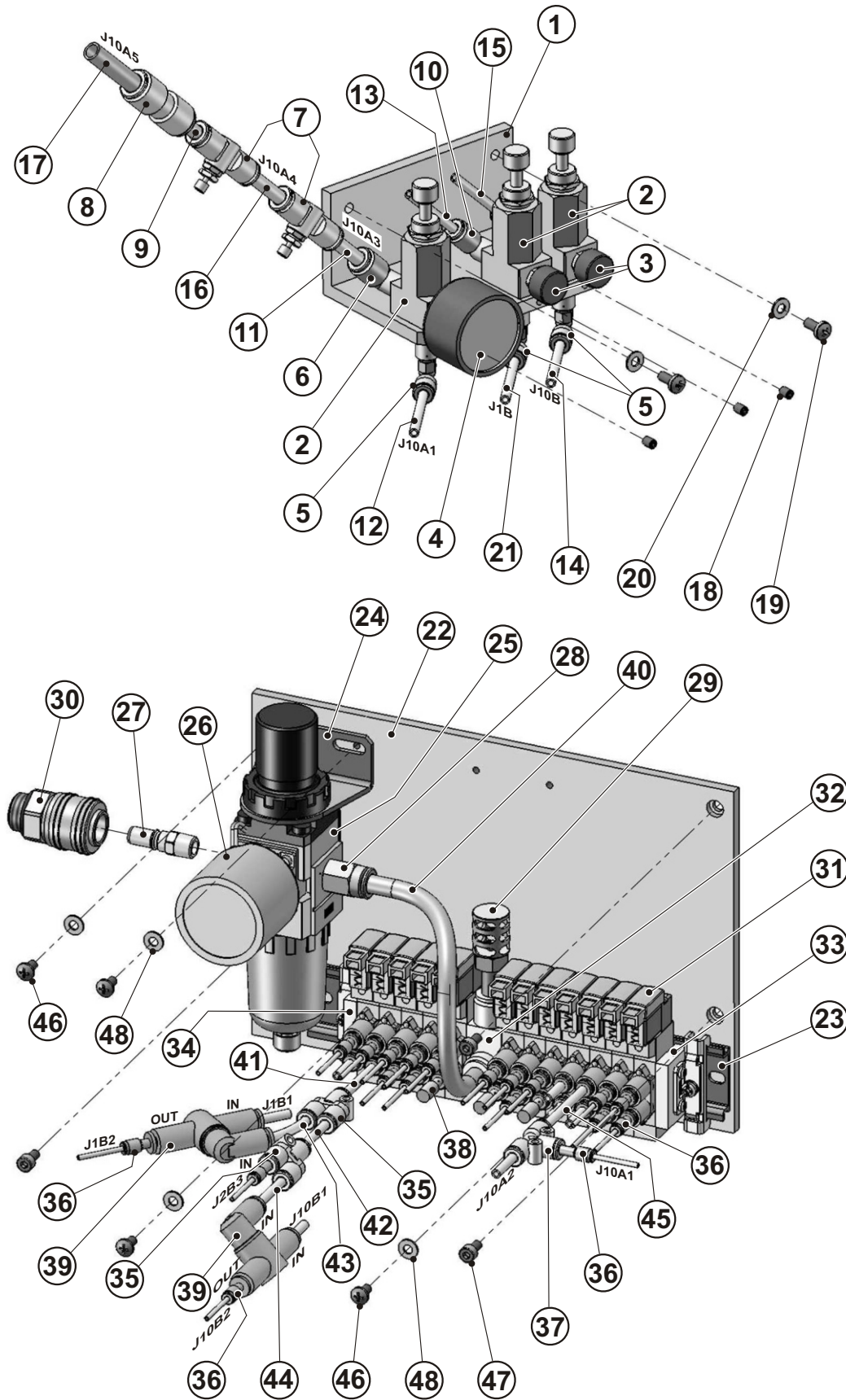
KIT PNEU



KIT PNEU

DET	PART NUMBER	DESCRIPTION	QTY.
01	71.1570.0.039	HOLDER	1
02	12.0008.3.615	REGULATOR	3
03	12.0008.3.785	GAUGE	2
04	12.0008.3.435	GAUGE	1
05	12.0008.3.411	CONNECTOR	3
06	12.0008.3.459	CONNECTOR	1
07	12.0010.3.010	THROTTLE VALVE	2
08	12.0010.3.011	CONNECTOR	1
09	12.0008.3.487	REDUCTION	1
10	12.0008.3.640	CONNECTOR	2
11	12.0008.3.415	AIR TUBING - J10A3	1
12	12.0008.3.416	AIR TUBING - J10A1	1
13	12.0008.3.416	AIR TUBING - J1B1	1
14	12.0008.3.416	AIR TUBING - J10B	1
15	12.0008.3.416	AIR TUBING - J10B1	1
16	12.0008.3.415	AIR TUBING - J10A4	1
17	12.0008.3.998	AIR TUBING - J10A5	1
18	08.6400.4.006	SCREW M4-6	3
19	08.6032.4.010	SCREW M4-10	2
20	08.6852.4.000	WASHER M4	2
21	12.0008.3.416	AIR TUBING - J1B	1
22	71.1570.0.040	PLATE	1
23	12.0010.3.002	DIN BAR	1
24	12.0008.3.659	HOLDER	1
25	12.0008.3.753	REGULATOR	1
26	12.0008.3.776	GAUGE	1
27	12.0008.3.420	CONNECTOR	1
28	12.0008.3.421	CONNECTOR	1
29	12.0008.3.484	SILENCER	1
30	12.0008.3.608	CONNECTOR	1
31	12.0008.3.482	VALVE	12
32	12.0008.3.479	BLOCK	1
33	12.0008.3.476	END PLATE	1
34	12.0008.3.478	END PLATE	1
35	12.0008.3.724	CONNECTOR	2
36	12.0008.3.861	CONNECTOR	19
37	12.0010.3.009	CONNECTOR	1
38	12.0008.3.426	PLUG	3
39	12.0008.3.899	LOGIC VALVE	2
40	12.0008.3.431	AIR TUBING - J0	1
41	12.0008.3.416	AIR TUBING - J2B	1
42	12.0008.3.416	AIR TUBING - J2B1	1
43	12.0008.3.416	AIR TUBING - J2B2	1
44	12.0008.3.416	AIR TUBING - J2B4	1
45	12.0008.3.416	AIR TUBING - J10A	1

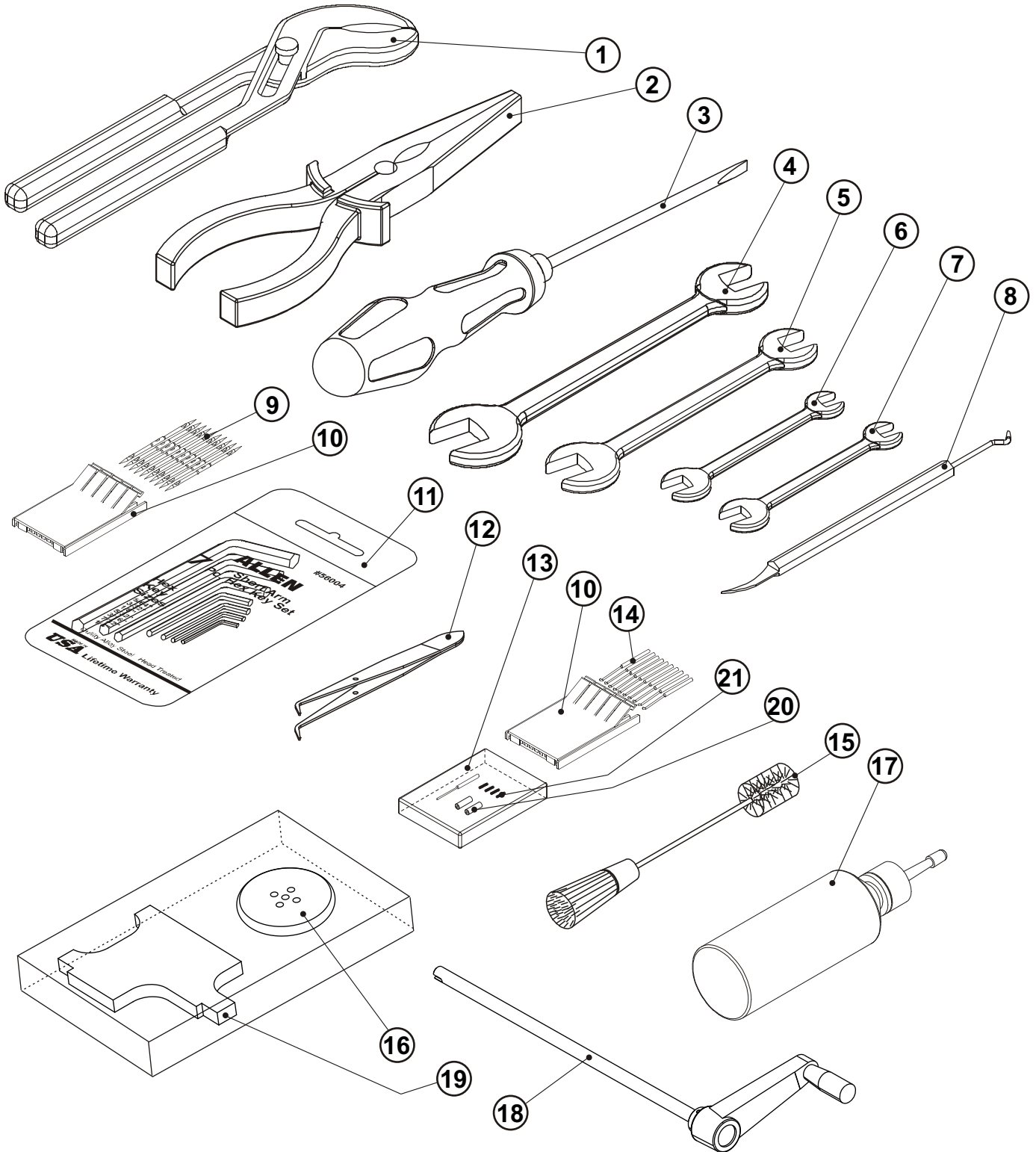
KIT PNEU



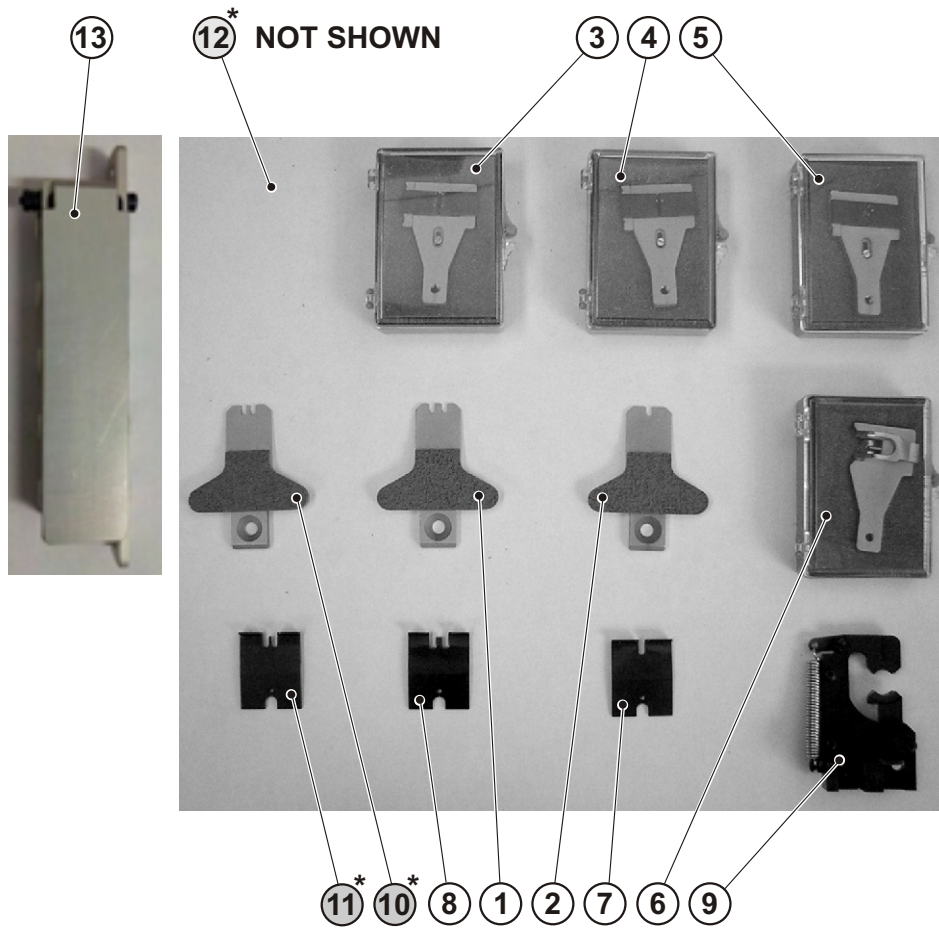
KIT PNEU

DET	PART NUMBER	DESCRIPTION	QTY.
46	08.6032.4.008	SCREW M4-8	4
47	08.6000.4.008	SCREW M4-8	3
48	08.6852.4.000	WASHER M4	4

STANDARD ACCESSORIES - TOOLS



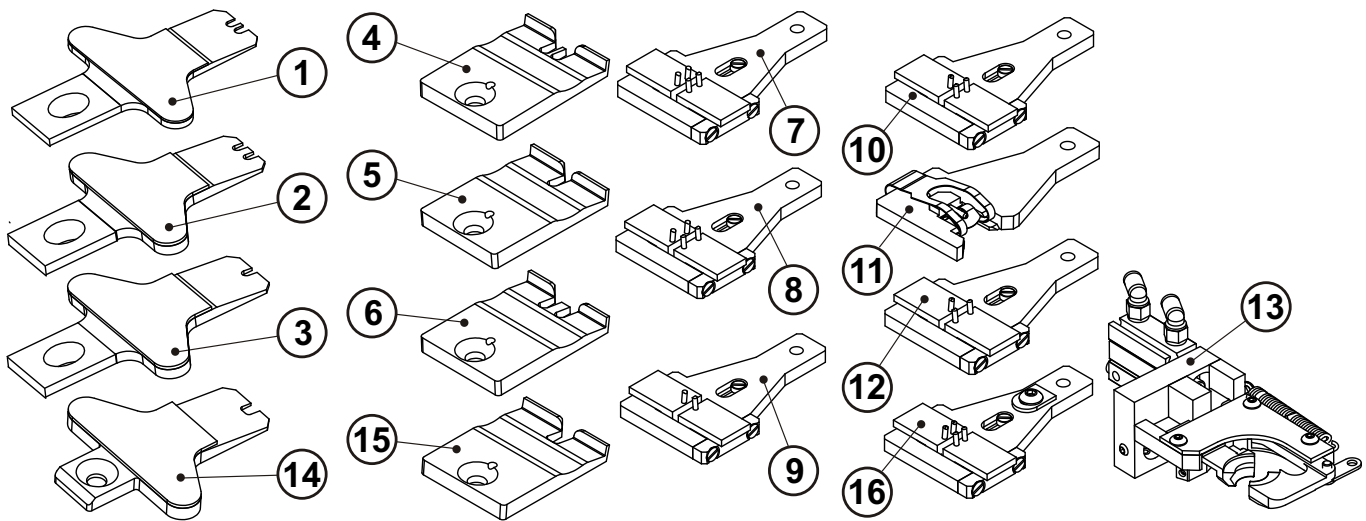
STANDARD ACCESSORIES



○* INCLUDED ONLY IN 03.3571.0.019

NUMBER OF MACHINES O EBS0005

STANDARD ACCESSORIES - OVERVIEW



Button Type	Hole/ Stitch Spacing (mm)	Button Holder	Tongue	Pucker Pin
	3,0-6,0 mm	03.5571.0.015	03.5571.0.012	71.1453.8.030
	3,0-4,5 mm	03.5571.0.016	03.5571.0.010	71.1453.8.032
	4,5-6,0 mm	03.5571.0.018	03.5571.0.011	71.1453.8.031
	2,6-3,3 mm	03.5571.0.024	03.5571.0.010	71.1453.8.032
	3,0-4,5 mm	03.5571.0.013	03.5571.0.010	71.1453.8.032
	4,5-6,0 mm	03.5571.0.014	03.5571.0.011	71.1453.8.031
	0 mm	03.5571.0.017	03.5571.0.012	71.1453.8.030
	3,0-4,5 mm		03.5571.0.010	71.1453.8.032
	4,5-6,0 mm		03.5571.0.011	71.1453.8.031
	3,0-4,5 mm	03.5571.0.013	03.5571.0.023	71.1453.8.033

INDEX

PART NUMBER	PAGE	DET	QTY	PART NUMBER	PAGE	DET	QTY	PART NUMBER	PAGE	DET	QTY
22965006	3-19	6	4	03.5571.0.015	3-71	9	1	08.6000.3.008	3-33	11	11
24971069	3-5	6	1	03.5571.0.016	3-69	5	1	08.6000.3.010	3-39	51	1
24971495	3-13	20	1	03.5571.0.016	3-71	10	1	08.6000.3.010	3-33	12	6
24973041	3-15	11	1	03.5571.0.017	3-69	6	1	08.6000.3.012	3-15	14	2
26913004	3-67	2	1	03.5571.0.017	3-71	11	1	08.6000.3.012	3-29	13	2
31111009	3-19	7	2	03.5571.0.018	3-71	12	1	08.6000.3.014	3-33	13	4
31264001	3-19	16	2	03.5571.0.019	3-69	0	1	08.6000.3.018	3-35	12	2
31412001	3-19	14	2	03.5571.0.020	3-69	10*	1	08.6000.3.030	3-45	6	1
31413002	3-11	7	2	03.5571.0.020	3-71	1	1	08.6000.4.006	3-53	23	3
31566008	3-19	5	2	03.5571.0.021	3-69	1	1	08.6000.4.008	3-51	7	1
31593007	3-19	15	2	03.5571.0.021	3-71	2	1	08.6000.4.008	3-13	5	2
31674025	3-19	11	2	03.5571.0.022	3-69	2	1	08.6000.4.008	3-31	12	2
				03.5571.0.022	3-71	3	1	08.6000.4.008	3-65	47	3
31697002	3-19	18	1	03.5571.0.023	3-35	7	1	08.6000.4.008	3-3	25	10
31697003	3-19	3	1	03.5571.0.023	3-71	14	1	08.6000.4.010	3-49	7	2
31815017	3-11	8	2	03.5571.0.024	3-71	16	1	08.6000.4.010	3-53	13	2
35131002	3-19	17	2	03.5571.0.026	3-69	13	1	08.6000.4.010	3-13	22	4
35511071	3-19	4	2	04.9071.0.000	3-3	7	1	08.6000.4.010	3-31	7	6
36341035	3-11	6	1	04.9071.0.902	3-53	1	1	08.6000.4.012	3-47	7	2
36523021	3-19	1	2	04.9071.0.903	3-53	2	1	08.6000.4.015	3-51	3	2
36523022	3-19	2	2	05.0090.1.000	3-67	17	1	08.6000.4.016	3-33	35	2
36531010	3-19	9	2	06.0120.0.000	3-37	27	1	08.6000.4.016	3-21	18	4
36531010	3-67	21	4	06.7100.0.010	3-47	28	2	08.6000.4.030	3-21	40	2
36532021	3-19	12	2	06.7100.0.012	3-33	25	1	08.6000.5.002	3-5	9	1
36532022	3-19	10	2	06.7100.0.013	3-31	2	1	08.6000.5.010	3-31	24	1
36771021	3-19	8	2	06.7100.0.014	3-33	26	1	08.6000.5.010	3-21	37	5
36771021	3-67	20	2	06.7100.0.016	3-13	29	1	08.6000.5.012	3-3	15	2
37213001	3-7	16	1	06.7100.0.023	3-33	27	1	08.6000.5.012	3-23	51	4
37771023	3-67	19	1	06.7100.0.024	3-25	23	1	08.6000.5.020	3-47	31	6
49910018	3-67	8	1	06.7100.0.029	3-7	43	1	08.6000.5.020	3-23	52	2
49910019	3-67	13	1	06.7100.0.030	3-25	22	2	08.6000.5.020	3-31	21	2
00200038	3-19	22	1	06.7100.0.031	3-33	28	1	08.6000.5.030	3-47	30	2
00200038	3-67	9	10	06.7100.0.032	3-33	29	1	08.6000.5.030	3-21	44	2
01.6551.0.000	3-37	26	10	06.7100.0.041	3-59	14	1	08.6000.6.025	3-13	7	2
01.7447.0.001	3-45	5	10	06.7100.0.045	3-61	15	1	08.6000.8.012	3-21	21	4
01.7447.0.001	3-43	6	20	06.7100.0.050	3-35	11	1	08.6000.8.020	3-47	4	2
01.7447.1.000	3-37	25	10	06.7100.1.011	3-13	28	1	08.6000.8.020	3-17	8	11
03.0018.0.000	3-67	4	1	07.6321.0.001	3-21	39	1	08.6000.8.030	3-21	23	4
03.5571.0.004	3-69	0	1	07.6321.0.020	3-21	35	1	08.6000.8.050	3-3	22	4
03.5571.0.005	3-69	9	1	08.6000.0.025	3-3	13	4	08.6000.8.065	3-3	20	4
03.5571.0.005	3-71	13	1	08.6000.0.030	3-3	28	4	08.6000.8.065	3-53	10	4
03.5571.0.013	3-71	7	1	08.6000.3.005	3-15	17	1	08.6002.3.005	3-37	38	4
03.5571.0.014	3-69	3	1	08.6000.3.005	3-47	23	4	08.6002.3.008	3-37	39	4
03.5571.0.014	3-71	8	1	08.6000.3.005	3-33	30	10	08.6002.4.010	3-37	40	4
03.5571.0.015	3-69	4	1	08.6000.3.008	3-21	30	2	08.6002.4.020	3-7	35	2

INDEX

PART NUMBER	PAGE	DET	QTY	PART NUMBER	PAGE	DET	QTY	PART NUMBER	PAGE	DET	QTY
08.6002.5.012	3-7	21	2	08.6202.3.020	3-37	34	4	08.6700.4.000	3-25	42	1
08.6002.5.016	3-13	14	4	08.6202.4.008	3-7	25	3	08.6700.4.000	3-35	18	1
08.6002.5.022	3-25	10	1	08.6202.4.010	3-25	30	4	08.6700.5.000	3-13	27	2
08.6002.5.025	3-7	30	2	08.6202.4.010	3-37	28	6	08.6700.5.000	3-47	21	2
08.6002.6.016	3-25	09	2	08.6202.4.010	3-43	8	8	08.6702.3.000	3-15	20	1
08.6010.4.008	3-53	17	3	08.6202.4.010	3-37	36	14	08.6702.3.000	3-37	32	2
08.6012.2.003	3-31	16	1	08.6202.4.016	3-37	33	9	08.6702.4.000	3-7	19	1
08.6012.3.008	3-57	11	10	08.6202.5.008	3-7	26	4	08.6702.4.000	3-43	10	1
08.6017.8.016	3-17	17	1	08.6202.5.016	3-55	9	2	08.6702.4.000	3-53	18	1
08.6032.3.008	3-59	19	4	08.6202.5.025	3-55	10	2	08.6702.4.000	3-57	4	25
08.6032.3.035	3-15	16	2	08.6202.6.012	3-59	11	2	08.6702.5.000	3-5	4	1
08.6032.4.008	3-65	46	4	08.6202.6.012	3-25	07	4	08.6702.6.000	3-13	18	2
08.6032.4.010	3-63	19	2	08.6310.4.006	3-31	6	1	08.6702.8.000	3-3	21	8
08.6032.4.010	3-59	5	4	08.6400.3.005	3-15	8	1	08.6710.4.000	3-41	6	1
08.6050.5.010	3-25	19	2	08.6400.4.004	3-25	31	1	08.6710.4.000	3-25	34	3
08.6100.3.008	3-13	23	1	08.6400.4.004	3-35	15	2	08.6710.5.000	3-19	23	2
08.6100.3.008	3-25	24	1	08.6400.4.004	3-37	37	6	08.6712.4.000	3-7	36	1
08.6100.4.008	3-25	20	1	08.6400.4.004	3-47	8	8	08.6712.4.000	3-33	19	2
08.6100.4.008	3-13	6	2	08.6400.4.004	3-5	5	2	08.6712.4.000	3-19	19	4
08.6100.4.008	3-31	8	2	08.6400.4.005	3-13	9	1	08.6712.9.000	3-3	12	4
08.6100.4.010	3-41	4	2	08.6400.4.005	3-15	15	2	08.6722.6.000	3-13	15	1
08.6100.4.010	3-55	12	2	08.6400.4.005	3-7	20	3	08.6800.4.000	3-13	21	4
08.6100.4.010	3-43	9	4	08.6400.4.006	3-29	14	1	08.6800.4.000	3-31	9	8
08.6100.4.010	3-47	19	8	08.6400.4.006	3-33	16	1	08.6800.5.000	3-31	10	2
08.6100.4.020	3-33	37	2	08.6400.4.006	3-63	18	3	08.6800.5.000	3-47	29	8
08.6100.5.008	3-11	4	4	08.6400.4.006	3-17	14	4	08.6800.6.000	3-13	25	2
08.6100.5.010	3-47	10	2	08.6400.4.008	3-25	32	1	08.6800.8.000	3-3	19	8
08.6100.6.030	3-53	11	3	08.6400.4.018	3-35	17	1	08.6802.0.000	3-3	27	4
08.6102.2.008	3-31	17	2	08.6400.4.018	3-33	17	2	08.6802.3.000	3-57	10	10
08.6102.2.008	3-49	10	2	08.6400.4.040	3-41	5	1	08.6802.3.000	3-21	28	2
08.6102.3.008	3-7	17	11	08.6400.5.005	3-47	13	1	08.6802.4.000	3-51	6	1
08.6102.4.010	3-37	30	4	08.6400.5.005	3-33	18	2	08.6802.4.000	3-49	8	2
08.6102.4.012	3-7	23	2	08.6400.6.006	3-47	16	3	08.6802.4.000	3-3	24	10
08.6102.5.008	3-25	33	1	08.6400.6.006	3-17	9	4	08.6802.4.000	3-21	20	6
08.6102.5.016	3-25	41	2	08.6400.6.008	3-47	14	2	08.6802.5.000	3-29	11	1
08.6112.4.055	3-21	22	4	08.6420.3.005	3-15	9	2	08.6802.5.000	3-13	13	4
08.6200.3.004	3-31	23	1	08.6420.4.010	3-19	20	2	08.6802.5.000	3-21	36	6
08.6200.3.006	3-35	14	2	08.6420.4.012	3-19	21	2	08.6802.8.000	3-17	16	4
08.6200.3.006	3-15	10	4	08.6432.0.200	3-17	6	1	08.6802.8.000	3-53	9	4
08.6200.3.006	3-33	14	7	08.6490.8.060	3-57	6	1	08.6832.4.000	3-53	19	1
08.6200.3.008	3-15	21	1	08.6646.3.016	3-53	6	2	08.6842.6.000	3-13	33	2
08.6200.3.008	3-33	15	1	08.6646.4.050	3-53	20	3	08.6850.3.000	3-45	8	2
08.6200.5.010	3-29	12	1	08.6662.3.006	3-59	8	3	08.6850.3.000	3-35	16	4
08.6202.3.006	3-37	41	8	08.6663.5.025	3-59	12	3	08.6850.3.000	3-47	24	4
08.6202.3.008	3-37	35	8	08.6700.3.000	3-45	7	2	08.6850.4.000	3-33	36	2

INDEX

PART NUMBER	PAGE	DET	QTY	PART NUMBER	PAGE	DET	QTY	PART NUMBER	PAGE	DET	QTY
08.6850.4.000	3-13	31	4	12.0008.3.459	3-63	6	1	12.0008.3.806	3-25	12	1
08.6850.4.000	3-31	5	5	12.0008.3.476	3-63	33	1	12.0008.3.808	3-25	13	1
08.6850.4.000	3-53	24	5	12.0008.3.478	3-63	34	1	12.0008.3.809	3-29	8	2
08.6850.5.000	3-25	43	2	12.0008.3.479	3-63	32	1	12.0008.3.809	3-33	22	2
08.6850.5.000	3-47	17	11	12.0008.3.482	3-35	10	1	12.0008.3.809	3-37	44	2
08.6850.6.000	3-13	32	2	12.0008.3.482	3-63	31	12	12.0008.3.809	3-5	7	1
08.6850.8.000	3-23	47	1	12.0008.3.484	3-63	29	1	12.0008.3.815	3-25	15	2
08.6852.0.000	3-3	26	8	12.0008.3.487	3-63	9	1	12.0008.3.815	3-43	13	2
08.6852.3.000	3-59	18	4	12.0008.3.573	3-69	12*	1	12.0008.3.815	3-7	42	4
08.6852.3.000	3-37	31	6	12.0008.3.608	3-63	30	1	12.0008.3.826	3-15	18	2
08.6852.4.000	3-51	5	1	12.0008.3.609	3-7	31	1	12.0008.3.826	3-35	9	2
08.6852.4.000	3-49	9	2	12.0008.3.615	3-63	2	3	12.0008.3.861	3-63	36	19
08.6852.4.000	3-63	20	2	12.0008.3.628	3-49	14	2	12.0008.3.862	3-49	13	1
08.6852.4.000	3-65	48	4	12.0008.3.631	3-15	12	1	12.0008.3.863	3-49	15	1
08.6852.4.000	3-43	11	10	12.0008.3.631	3-37	43	1	12.0008.3.865	3-43	12	1
08.6852.4.000	3-37	29	17	12.0008.3.640	3-63	10	2	12.0008.3.876	3-49	16	1
08.6852.4.000	3-23	46	4	12.0008.3.659	3-63	24	1	12.0008.3.881	3-33	21	1
08.6852.5.000	3-29	10	1	12.0008.3.700	3-13	11	1	12.0008.3.899	3-63	39	2
08.6852.5.000	3-13	26	4	12.0008.3.724	3-63	35	2	12.0008.3.998	3-39	49	1
08.6852.5.000	3-55	11	4	12.0008.3.735	3-7	32	1	12.0008.3.998	3-63	17	1
08.6852.5.000	3-21	45	2	12.0008.3.738	3-33	20	1	12.0008.4.063	3-61	1	1
08.6852.8.000	3-3	23	4	12.0008.3.749	3-9	46	1	12.0008.4.109	3-61	2	1
08.6852.8.000	3-21	19	4	12.0008.3.749	3-9	47	1	12.0008.4.140	3-59	15	
12.0008.3.410	3-29	7	1	12.0008.3.749	3-9	48	1	12.0008.4.581	3-59	6	1
12.0008.3.411	3-63	5	3	12.0008.3.749	3-9	49	1	12.0008.4.664	3-61	3	2
12.0008.3.415	3-63	11	1	12.0008.3.749	3-15	22	1	12.0008.4.664	3-61	4	2
12.0008.3.415	3-63	16	1	12.0008.3.749	3-15	23	1	12.0008.4.682	3-61	10	1
12.0008.3.415	3-49	19	1	12.0008.3.749	3-25	45	1	12.0008.4.737	3-55	13	2
12.0008.3.416	3-63	12	1	12.0008.3.749	3-27	46	1	12.0008.4.770	3-61	18	2
12.0008.3.416	3-63	13	1	12.0008.3.749	3-29	19	1	12.0008.4.777	3-47	32	1
12.0008.3.416	3-63	14	1	12.0008.3.749	3-29	20	1	12.0008.4.821	3-59	13	1
12.0008.3.416	3-63	15	1	12.0008.3.749	3-33	38	1	12.0008.4.833	3-61	14	1
12.0008.3.416	3-63	21	1	12.0008.3.749	3-33	39	1	12.0008.4.898	3-61	9	6
12.0008.3.416	3-63	41	1	12.0008.3.749	3-35	19	1	12.0008.6.005	3-67	3	1
12.0008.3.416	3-63	42	1	12.0008.3.749	3-35	20	1	12.0008.6.108	3-67	5	1
12.0008.3.416	3-63	43	1	12.0008.3.749	3-39	47	1	12.0008.6.109	3-67	6	1
12.0008.3.416	3-63	44	1	12.0008.3.749	3-39	48	1	12.0008.6.111	3-67	7	1
12.0008.3.416	3-63	45	1	12.0008.3.749	3-43	14	1	12.0008.6.119	3-67	1	1
12.0008.3.416	3-49	17	1	12.0008.3.749	3-43	15	1	12.0008.6.215	3-67	12	1
12.0008.3.416	3-49	18	1	12.0008.3.749	3-5	10	1	12.0008.6.228	3-7	18	1
12.0008.3.420	3-63	27	1	12.0008.3.753	3-63	25	1	12.0008.6.229	3-57	7	1
12.0008.3.421	3-63	28	1	12.0008.3.765	3-5	8	1	12.0008.6.520	3-3	9	4
12.0008.3.426	3-63	38	3	12.0008.3.776	3-63	26	1	12.0008.6.523	3-3	10	4
12.0008.3.431	3-63	40	1	12.0008.3.785	3-63	3	2	12.0008.6.524	3-3	11	4
12.0008.3.435	3-63	4	1	12.0008.3.806	3-7	41	1	12.0008.6.817	3-45	9	10

INDEX

PART NUMBER	PAGE	DET	QTY	PART NUMBER	PAGE	DET	QTY	PART NUMBER	PAGE	DET	QTY
								71.1161.1.071	3-29	5	2
12.0008.6.817	3-43	7	20	12.3010.0.009	3-7	38	1	71.1161.1.072	3-29	6	1
12.0008.6.901	3-53	21	1	12.3010.0.009	3-41	7	1	71.1164.1.041	3-15	6	1
12.0008.6.968	3-67	10	2	12.3010.0.018	3-39	46	2	71.1164.2.016	3-29	2	1
12.0008.6.975	3-67	15	1	12.3010.0.019	3-49	11	1	71.1169.5.011	3-19	13	2
12.0008.6.993	3-57	8	1	12.4030.0.001	3-21	8	1	71.1169.6.006	3-25	17	1
12.0010.3.002	3-63	23	1	12.4030.0.412	3-21	5	2	71.1171.4.017	3-31	13	2
12.0010.3.007	3-27	48	2	12.5050.2.015	3-21	16	1	71.1172.2.026	3-11	12	1
12.0010.3.008	3-27	47	2	12.5050.2.016	3-21	15	1	71.1172.3.007	3-17	3	2
12.0010.3.009	3-63	37	1	12.5050.2.017	3-21	14	1	71.1172.8.011	3-21	3	1
12.0010.3.010	3-63	7	2	12.8000.1.034	3-7	44	1	71.1172.8.012	3-23	53	1
12.0010.3.011	3-63	8	1	15.1128.0.050	3-21	42	1	71.1173.7.040	3-21	4	1
12.0010.4.007	3-61	19	1	17.0017.2.041	3-7	37	1	71.1174.1.012	3-7	14	1
12.0010.4.025	3-11	11	1	17.0017.2.041	3-41	8	1	71.1174.1.015	3-7	13	1
12.0010.4.036	3-51	8	1	17.0019.0.441	3-53	8	4	71.1174.3.004	3-11	5	1
12.0010.4.051	3-51	2	1	17.0019.0.441	3-3	29	8	71.1175.4.011	3-15	19	1
12.0010.4.093	3-31	19	1	17.0026.0.219	3-31	20	2	71.1177.2.035	3-17	13	2
12.0010.4.093	3-47	27	2	17.0027.4.085	3-21	33	2	71.1178.4.003	3-21	12	1
12.0010.4.093	3-21	31	1	17.0043.6.351	3-21	25	2	71.1178.4.004	3-21	38	1
12.0010.4.113	3-59	20	1	17.0043.6.351	3-25	08	5	71.1178.4.006	3-21	13	1
12.0010.4.115	3-51	1	1	17.0045.1.062	3-17	10	2	71.1178.4.007	3-21	17	1
12.0010.4.116	3-51	0	1	17.0095.1.272	3-53	7	8	71.1178.4.008	3-21	34	1
12.0010.4.118	3-59	4	1	17.0095.1.272	3-3	18	12	71.1178.4.010	3-21	32	1
12.0010.4.119	3-61	8	2	17.0095.1.273	3-3	8	4	71.1179.3.001	3-21	11	2
12.0010.4.134	3-61	16	1	19.0005.0.013	3-59	10	1	71.1182.3.002	3-47	15	1
12.0010.4.136	3-61	17	1	19.0014.6.412	3-53	16	1	71.1182.3.003	3-47	6	1
12.0010.4.164	3-61	12	2	19.0014.7.003	3-59	9	1	71.1184.6.001	3-21	10	1
12.0010.4.168	3-61	5	2	19.0014.7.003	3-57	5	1	71.1184.8.019	3-47	3	4
12.0010.4.177	3-21	1	1	19.0016.3.406	3-25	40	1	71.1187.2.018	3-31	4	1
12.0010.4.251	3-61	11	1	19.0082.3.433	3-3	17	3	71.1187.4.023	3-5	2	1
12.1010.0.004	3-3	14	2	19.0083.7.002	3-59	7	1	71.1195.5.015	3-7	12	1
12.1010.0.316	3-49	12	1	22.0182.0.000	3-7	29	1	71.1222.3.057	3-13	4	1
12.1010.0.820	3-3	16	2	24.0161.0.000	3-59	3	1	71.1222.6.011	3-47	1	1
12.1010.2.019	3-13	8	1	24.2076.0.000	3-29	16	1	71.1223.6.100	3-3	3	1
12.1010.2.020	3-7	22	1	70.3721.3.002	3-67	14	10	71.1223.6.101	3-3	4	1
12.1014.0.510	3-25	06	4	71.1001.4.460	3-25	21	1	71.1223.6.102	3-47	20	1
12.1016.0.002	3-7	45	2	71.1001.4.461	3-29	18	1	71.1223.6.103	3-21	27	1
12.1045.0.003	3-7	28	1	71.1121.1.011	3-15	7	2	71.1223.6.104	3-21	29	1
12.1045.0.003	3-37	45	1	71.1129.1.026	3-25	5	1	71.1223.6.105	3-21	43	1
12.1045.0.004	3-7	27	1	71.1129.1.029	3-13	17	1	71.1223.6.106	3-23	48	1
12.1045.0.004	3-25	14	1	71.1135.2.006	3-13	12	1	71.1223.6.107	3-23	49	1
12.1045.0.004	3-29	4	1	71.1142.2.047	3-47	12	1	71.1225.5.042	3-5	3	1
12.2070.1.004	3-37	42	4	71.1143.1.086	3-67	16	1	71.1225.5.042	3-29	9	1
12.2070.1.017	3-39	50	2	71.1151.1.054	3-57	3	25	71.1225.5.042	3-33	4	1
12.2080.0.012	3-23	50	2	71.1151.1.055	3-49	5	1	71.1237.2.075	3-33	1	1
12.2099.2.000	3-17	7	2	71.1159.3.013	3-13	19	1	71.1237.2.076	3-29	1	1

INDEX

PART NUMBER	PAGE	DET	QTY	PART NUMBER	PAGE	DET	QTY	PART NUMBER	PAGE	DET	QTY
71.1237.2.078	3-35	4	1	71.1451.7.083	3-59	17	1	71.1546.1.163	3-37	21	2
71.1241.8.083	3-7	1	1	71.1453.8.030	3-69	7	1	71.1546.1.167	3-37	22	2
71.1241.8.084	3-7	33	1	71.1453.8.030	3-71	5	1	71.1546.1.168	3-37	23	2
71.1241.8.085	3-7	34	1	71.1453.8.031	3-69	8	1	71.1546.1.169	3-37	24	4
71.1242.8.036	3-7	2	1	71.1453.8.031	3-71	6	1	71.1552.1.048	3-17	1	2
71.1253.8.027	3-3	2	1	71.1453.8.032	3-25	18	1	71.1552.1.049	3-17	5	1
71.1261.3.035	3-53	3	1	71.1453.8.032	3-69	11*	1	71.1552.1.070	3-17	15	1
71.1273.5.093	3-47	18	2	71.1453.8.032	3-71	4	1	71.1552.8.008	3-33	2	1
71.1273.9.139	3-7	9	1	71.1453.8.033	3-35	8	1	71.1552.8.011	3-35	1	1
71.1273.9.139	3-25	11	1	71.1453.8.033	3-71	15	1	71.1554.1.065	3-15	1	1
71.1276.6.056	3-47	9	1	71.1458.7.002	3-57	1	1	71.1557.4.044	3-7	4	1
71.1276.9.191	3-31	1	1	71.1458.7.003	3-57	2	1	71.1565.0.001	3-61	20	1
71.1313.2.211	3-21	24	1	71.1463.5.017	3-11	2	2	71.1565.3.031	3-3	5	1
71.1319.2.002	3-67	18	1	71.1488.1.006	3-7	39	1	71.1565.3.032	3-3	6	1
71.1321.1.038	3-5	1	1	71.1515.1.043	3-11	9	2	71.1570.0.020	3-55	1	1
71.1325.1.016	3-47	5	1	71.1546.1.103	3-37	3	1	71.1570.0.023	3-53	5	1
71.1325.1.076	3-31	14	1	71.1546.1.104	3-37	4	1	71.1570.0.026	3-55	2	1
71.1325.1.077	3-31	15	1	71.1546.1.107	3-37	5	1	71.1570.0.027	3-55	3	1
71.1325.1.078	3-31	18	1	71.1546.1.108	3-37	6	5	71.1570.0.028	3-55	4	1
71.1325.1.082	3-31	22	1	71.1546.1.109	3-37	7	2	71.1570.0.029	3-55	5	1
71.1325.2.045	3-11	1	2	71.1546.1.111	3-37	8	1	71.1570.0.030	3-55	7	2
71.1325.2.056	3-13	1	1	71.1546.1.112	3-37	9	1	71.1570.0.031	3-55	6	3
71.1325.5.045	3-47	22	1	71.1546.1.113	3-37	10	1	71.1570.0.032	3-7	24	1
71.1325.5.046	3-47	25	1	71.1546.1.114	3-37	11	1	71.1570.0.033	3-53	4	1
71.1325.5.047	3-21	26	1	71.1546.1.115	3-37	12	1	71.1570.0.034	3-53	15	1
71.1325.5.048	3-13	30	1	71.1546.1.116	3-37	13	2	71.1570.0.037	3-53	14	1
71.1325.5.049	3-33	7	1	71.1546.1.118	3-37	14	1	71.1570.0.038	3-55	8	1
71.1325.5.050	3-33	8	1	71.1546.1.120	3-37	15	1	71.1570.0.039	3-63	1	1
71.1325.5.051	3-33	9	1	71.1546.1.121	3-37	16	1	71.1570.0.040	3-63	22	1
71.1325.5.052	3-33	10	1	71.1546.1.122	3-37	17	1	71.1577.8.058	3-15	3	1
71.1325.5.053	3-11	10	1	71.1546.1.123	3-37	18	1	71.1586.1.017	3-7	8	1
71.1325.5.054	3-33	32	1	71.1546.1.131	3-41	1	1	71.1586.1.018	3-53	22	1
71.1325.5.056	3-35	6	1	71.1546.1.132	3-41	2	1	71.1587.6.007	3-7	3	1
71.1325.5.058	3-33	40	2	71.1546.1.133	3-41	3	1	71.1622.5.012	3-21	6	2
71.1325.5.059	3-33	41	2	71.1546.1.143	3-43	2	2	71.1622.5.025	3-21	7	1
71.1332.4.001	3-13	3	1	71.1546.1.144	3-43	3	1	71.1634.0.012	3-33	6	2
71.1344.1.002	3-17	11	1	71.1546.1.145	3-43	4	2	71.1634.1.146	3-21	2	1
71.1344.1.003	3-17	12	1	71.1546.1.146	3-43	5	2	71.1651.6.019	3-21	9	1
71.1345.5.006	3-29	3	1	71.1546.1.148	3-43	1	2	71.1651.8.030	3-17	4	2
71.1451.5.050	3-53	12	1	71.1546.1.150	3-45	1	1	71.1651.8.068	3-15	13	1
71.1451.5.097	3-13	10	1	71.1546.1.151	3-45	2	1	71.1651.8.070	3-33	5	1
71.1451.5.108	3-51	4	1	71.1546.1.152	3-45	3	1	71.1651.8.074	3-33	3	2
71.1451.7.080	3-59	1	1	71.1546.1.153	3-45	4	1	71.1651.8.076	3-33	31	1
71.1451.7.081	3-59	2	4	71.1546.1.160	3-37	1	1	71.1651.8.084	3-17	18	1
71.1451.7.082	3-59	16	1	71.1546.1.161	3-37	2	1	71.1651.8.088	3-35	3	1

INDEX

PART NUMBER	PAGE	DET	QTY	PART NUMBER	PAGE	DET	QTY	PART NUMBER	PAGE	DET	QTY
71.1651.8.090	3-35	5	1	71.1721.1.111	3-29	17	1				
71.1651.8.091	3-35	2	1	71.1721.1.117	3-29	15	1				
71.1651.8.092	3-33	33	1	71.1721.1.134	3-13	24	1				
71.1651.8.093	3-35	13	1	71.1723.1.024	3-11	3	2				
71.1651.8.095	3-33	23	1	71.1784.1.038	3-15	4	1				
71.1651.8.096	3-33	24	1	71.1784.1.039	3-15	5	1				
71.1652.0.004	3-31	3	1	71.1784.1.040	3-49	6	1				
71.1652.0.006	3-31	11	1	71.6132.1.017	3-3	1	1				
71.1661.1.101	3-13	2	1	71.6482.0.005	3-33	34	1				
71.1661.1.104	3-49	2	1	71.6546.1.130	3-37	19	1				
71.1661.1.105	3-49	3	1	71.6546.1.140	3-37	20	1				
71.1661.1.106	3-49	4	1	71.8001.0.001	3-61	6	1				
71.1661.1.107	3-57	9	5	71.8001.0.002	3-61	7	1				
71.1661.1.108	3-57	12	25	71.8001.0.005	3-61	13	1				
71.1661.8.041	3-7	10	1	84.0003.0.390	3-67	11	1				
71.1661.8.044	3-7	40	1								
71.1663.1.027	3-7	5	1								
71.1663.1.029	3-7	6	1								
71.1664.1.014	3-7	11	1								
71.1664.1.017	3-7	15	1								
71.1664.1.018	3-7	7	1								
71.1664.1.079	3-25	04	1								
71.1664.1.081	3-25	16	1								
71.1664.1.085	3-25	26	1								
71.1664.1.086	3-25	27	1								
71.1664.1.087	3-25	28	1								
71.1664.1.088	3-25	29	1								
71.1664.1.090	3-25	25	1								
71.1664.1.093	3-25	44	1								
71.1664.1.201	3-25	01	1								
71.1664.1.202	3-25	02	1								
71.1665.1.017	3-25	35	1								
71.1665.1.018	3-25	03	1								
71.1665.1.019	3-25	36	1								
71.1665.1.020	3-25	37	1								
71.1665.1.021	3-25	38	1								
71.1665.1.022	3-25	39	1								
71.1666.1.026	3-15	2	1								
71.1666.6.006	3-47	2	2								
71.1666.6.007	3-47	11	1								
71.1666.6.008	3-47	26	1								
71.1669.1.014	3-17	2	2								
71.1671.2.025	3-21	41	1								
71.1677.0.005	3-13	16	2								
71.1712.4.212	3-49	1	1								