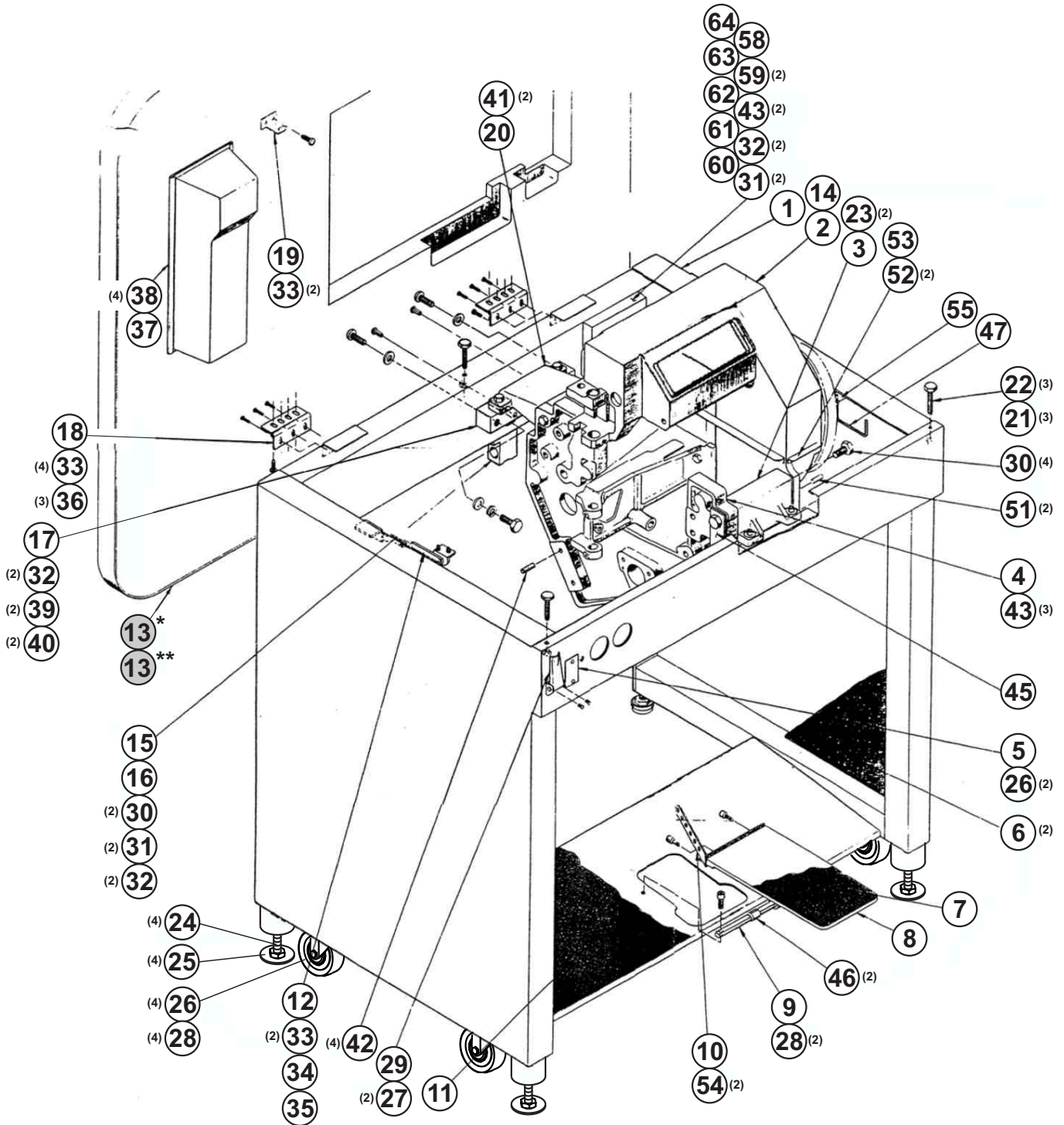


TABLE OF CONTENTS

Main Frame Assembly.....	3-2
Cam and Gears.....	3-6
Upper Needle Bar Mechanism.....	3-8
Presser Foot Mechanism.....	3-12
Lower Needle Bar Mechanism.....	3-16
Lower Looper and Thread Drum Mechanism.....	3-18
Main Cam Shaft Assembly.....	3-22
Thread Gripper & Elevator Mechanism.....	3-24
Pick Stitch & Tension Finger.....	3-26
Tension Finger Assembly.....	3-30
Material Feed.....	3-32
Angle Stitch Mechanism.....	3-36
Upper Looper.....	3-38
Work Plate Assembly.....	3-42
Presser Foot & Swivel Toe Assembly.....	3-44
Presser Foot.....	3-46
ELECTRICAL - I.....	3-48
ELECTRICAL - II.....	3-50
ELECTRICAL - III.....	3-52
Accessories.....	3-54
Thread Trim.....	3-56
Foot Pedal.....	3-58
Condensed Stitch Kit.....	3-60
ELECTRICAL diagram.....	3-62
Material Gauge.....	3-64

MAIN FRAME ASSEMBLY



MAIN FRAME ASSEMBLY

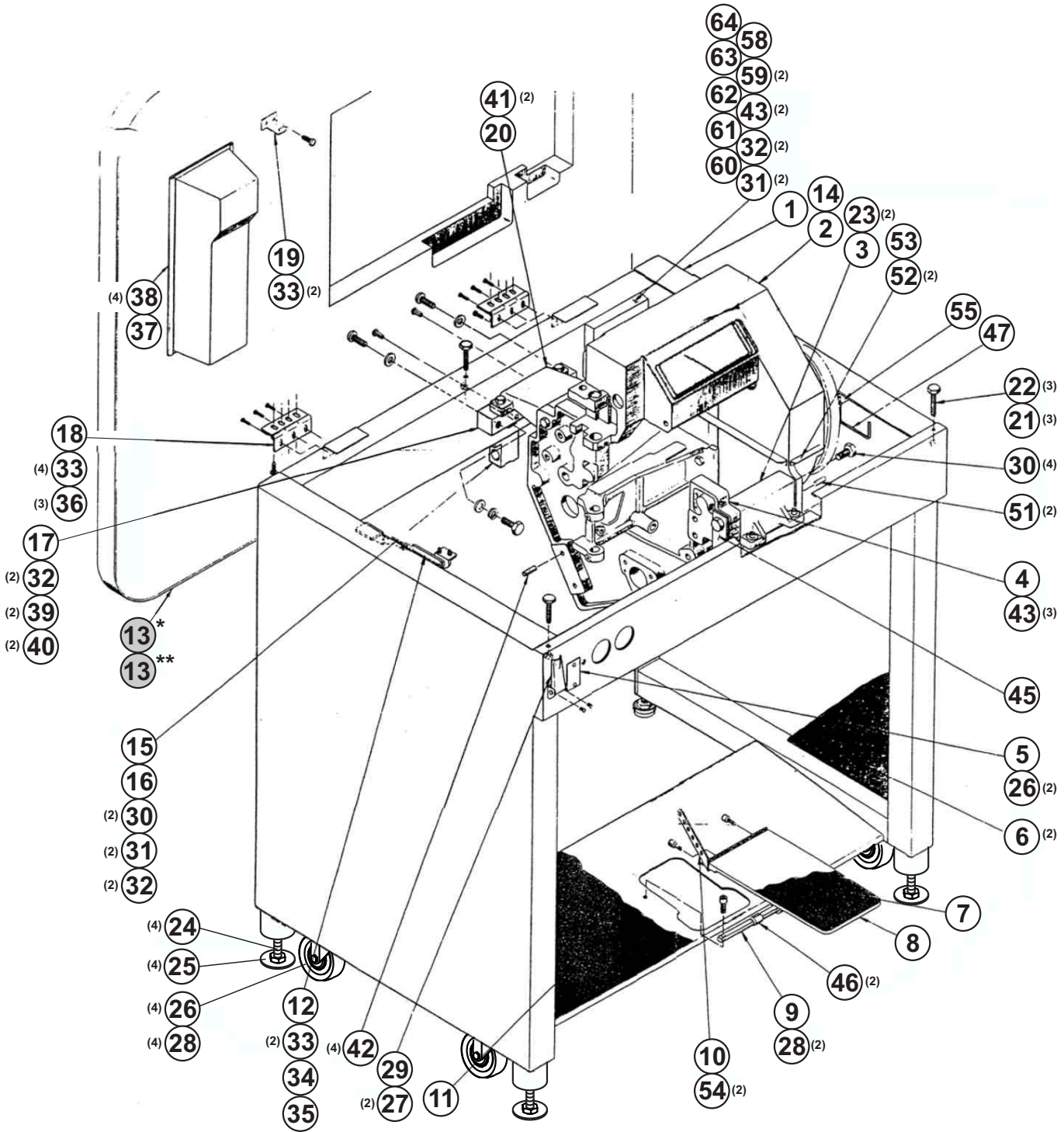
DET	PART NUMBER	DESCRIPTION	QTY
01	04.9070.0.000	Main Frame	1
02	41321019	Needle Bar Hd. Assembly	1
03	35371003	Front Spacer	1
04	35315013	Tie Frame	1
05	37711017	Name Plate	1
06	70.3271.1.020	Sound Suppressor ●●●	2
07	70.3325.1.108	Holder	1
08	08.6200.4.010	Screw M4-10	4
09	08.6700.4.000	Nut M4	2
10	08.6850.4.000	Washer M4	6
11	32216086	Foot Plate Tread ●●●	1
12	41441060	Table Support	1
13*	70.3535.1.181	Table Top ●●●	1*
13**	35351180	Table Top ●●●	1**
16	70.3325.1.109	Motor Holder	1
18	41214006	Hinge	2
19	70.3535.1.182	Hook	1
20	35472011	Spacer, Rear, Tie Frame	1
21	01200024	Screw #3/8 - 16x1	3
22	06020015	Nut, Hex.Jam # 3/8 -16	3
23	01000047	Scr., Hex. Soc. Hd. Cap # 5/16 - 18 x1	2
24	12.0008.6.523	Screw M12	4
25	12.0008.6.524	Leveling Pad	4
26	12.0008.6.520	Castor Wheels	4
26		Rivet	2
27		Scr., Rd.Hd. Mach. # 6 - 32 x 1/4	2
28	08.6000.0.025	Screw	4
29	22972010	Latch 'Camloc' # 51 L1-1- 1 AB -	1
30	04200003	Scr. Hex.Hd. # 3/8 - 16 x 1	6
31	07100009	Washer, Spring Lock # 3/8	4
32	08.6852.0.000	Washer, Flat # 3/8	6
33	08.6663.5.025	Scr. Pan Hd. (Type A) # 10 x 5/8	12
34	22911038	Scr., Asa Lock #1 A	1
35		Nut, Lock "ESNA"#21 NTE- 058-	1
36	04140040	Scr., Truss Hd. # 10 - 32 x 5/16	6
37	12.0008.6.901	Drawer,Stl."Superior" # 333 Grey ●●●	1
38		Scr.. Fl.Hd. Wood # 8 x 3/4-	4
39	01200024	Scr. Hex .Soc .But.Hd.# 3/8 - 16 x 1	2
40	08200024	Spring Pin 1/4" x 1	2
41	04200027	Scr., Hex.Hd. # 5/16 - 18 x 1	2
42	08000019	Pin, Dowel # 1/4 x 1 1/4	4
43	04200004	Scr.Hex. Hd. # 3/8 - 16 x 1 1/2	5

* — Modificatioin ATT

** — Modificatioin BP (Bender Plate)



MAIN FRAME ASSEMBLY

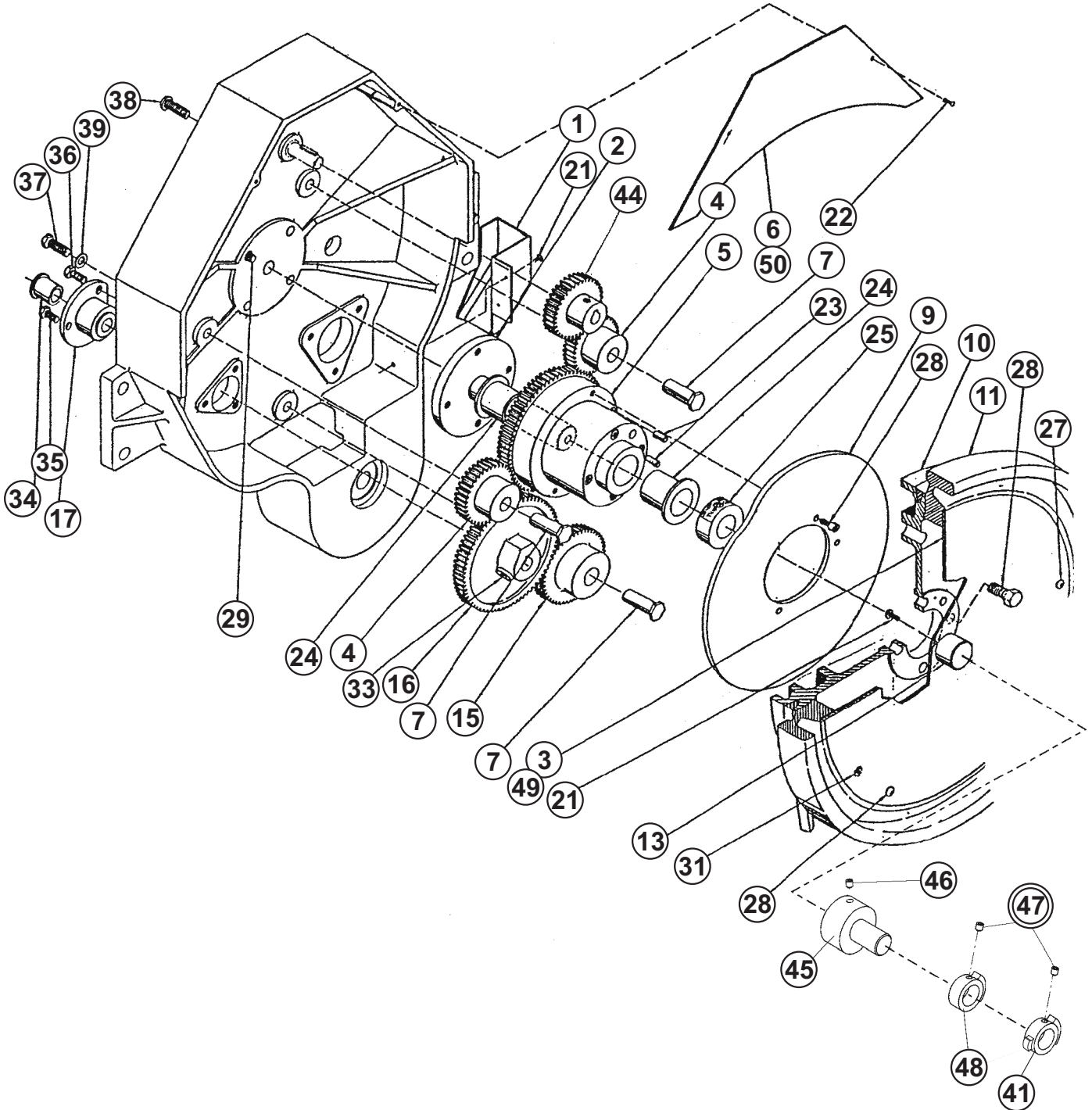


MAIN FRAME ASSEMBLY



DET	PART NUMBER	DESCRIPTION	QTY
51		Pin , Dowel # 5/16 x 3/4	4
52	04100052	Scr. Bind. Hd.# 8 - 32 x 1/4	2
53	34268125	Angle, Filler	1
58	70.3162.5.003	Pulley assembly	1
59	06000014	Nut. Hex.# 3/8 -16	2
60	23522009	Counter Shaft Bearing	1
61	34125140	Box Cover	1
63	24323130	“V” Belt ●●●	1
64	24423030	Pulley, “V” Belt ●	1
65	35523026	Counter Shaft Bracket	1
66	70.3100.0.042	Facia Plate	1
67	70.3265.2.016	Cover	1
69			
70	70.3165.2.002	Sensor Holder	1
72	24473076	Pulley	1
73	24383030	Belt 285L075	1
74	12.8000.1.010	Label (DECO)	1
75	12.1016.0.001	Nail 2,6x6	2
76	70.3577.7.047	Cover Rear	1
77	70.3577.7.044	Cover Pulley	1
79	08.6000.4.008	Screw	4
90	31852010	Alex Light Holder	1
101	31000030	Hook Facia Plate	1
102	31000031	Lock Facia Plate	1

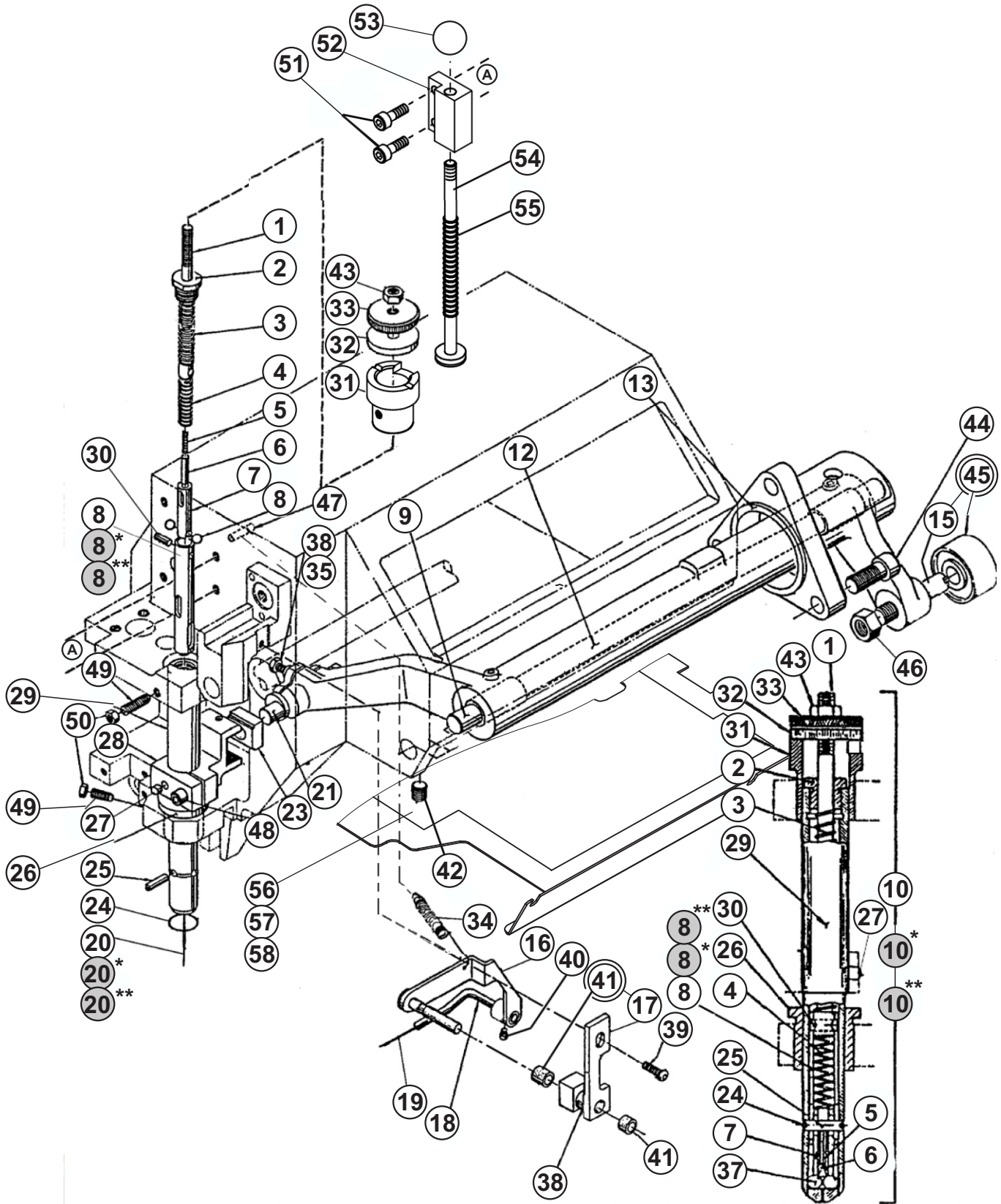
CAM AND GEARS



CAM AND GEARS

DET	PART NUMBER	DESCRIPTION	QTY
01	35812049	Cover, Rear Drum	1
02	31766009	Drive Gear Stud	1
03	31523037	Cover, Handwheel	1
04	36224010	Small Intermediate Gear ●●●	2
05	36228020	Drive Gear	1
06	32652015	Guard, Belt	1
07	31838030	Gear Stud	3
09	70.3651.3.048	Left Upper Looper Cam	1
10	36516040	Needle Bar Cam	1
11	36713007	Needle Bar Hand Wheel ●●●	1
13	31652001	Sensor Drive Shaft	1
15	36226017	Large Intermediate Gear ●●●	1
16	36228009	Cam Shaft Drive Gear	1
17	36515032	Cam Shaft Bearing	1
21	04100054	Scr. Binding # Hd. 8- 32 x 3/8	2
22	01200005	Scr. , Hex. Soc. But. Hd.# 8 - 32 x 3/8	2
23	08200031	Pin, Roll # 3/16 x 3/8	1
24	23161140	Bearing, "Oilite" # FF - 1213-4 ●●	2
25	24116150	Collar, Set SC 100 1" I.D	1
26	01000025	Scr. Hex. Soc. Cap # 10 - 32 x 1/2	1
27	04200003	Scr.,.Hex.Hd.# 3/ 8 - 16 x 1	4
28	01200001	Scr. Hex. Soc. But. Hd. # 140- 32 x 1/2	2
29	01000099	Scr. Hex. Soc.Cap # 5/16 - 18 x 5/8	1
31	01002040	Scr. Hex. Soc.Cap # 5/16 - 18 x 3/4	1
33	03200023	Scr. Hex. Soc.Hd. Cup PT.# 1/4 - 20 x 1/2	1
34	23161063	Bushing, "Oilite" # FF - 707 - 2 ●●	1
35	04200013	Scr., Hex. Hd. # 1/4 - 20 x 5/8	1
36	04200012	Scr., Hex. Hd. # 1/4 - 20 x 1/2	1
37	04200267	Scr., Hex. Hd. # 3/8 - 24 x 1	1
38	01200083	Scr., But. Hex.Soc.# 3/8 - 24 x 1	1
39	07100009	Washer, Lock # 3/8	1
40	70.3165.2.002	Sensor Holder	1
41	19.0044.1.625	Ring Sensor	2
42	17.0011.2.013	Screw M6x0, 75 x 6	2
43	08.6400.4.008	Screw M4 - 8	1
44	36271013	Gear	1
45	70.3165.2.003	Adaptor	1
46	08.6400.4.006	Screw M4x6	1
47	17.0011.2.013	Screw	(2)
48	19.0044.1.624	Ring Sensor	2
49	70.3271.1.023	Sound Isolation	1
50	70.3271.1.024	Sound Isolation	1

UPPER NEEDLE BAR MECHANISM



UPPER NEEDLE BAR MECHANISM

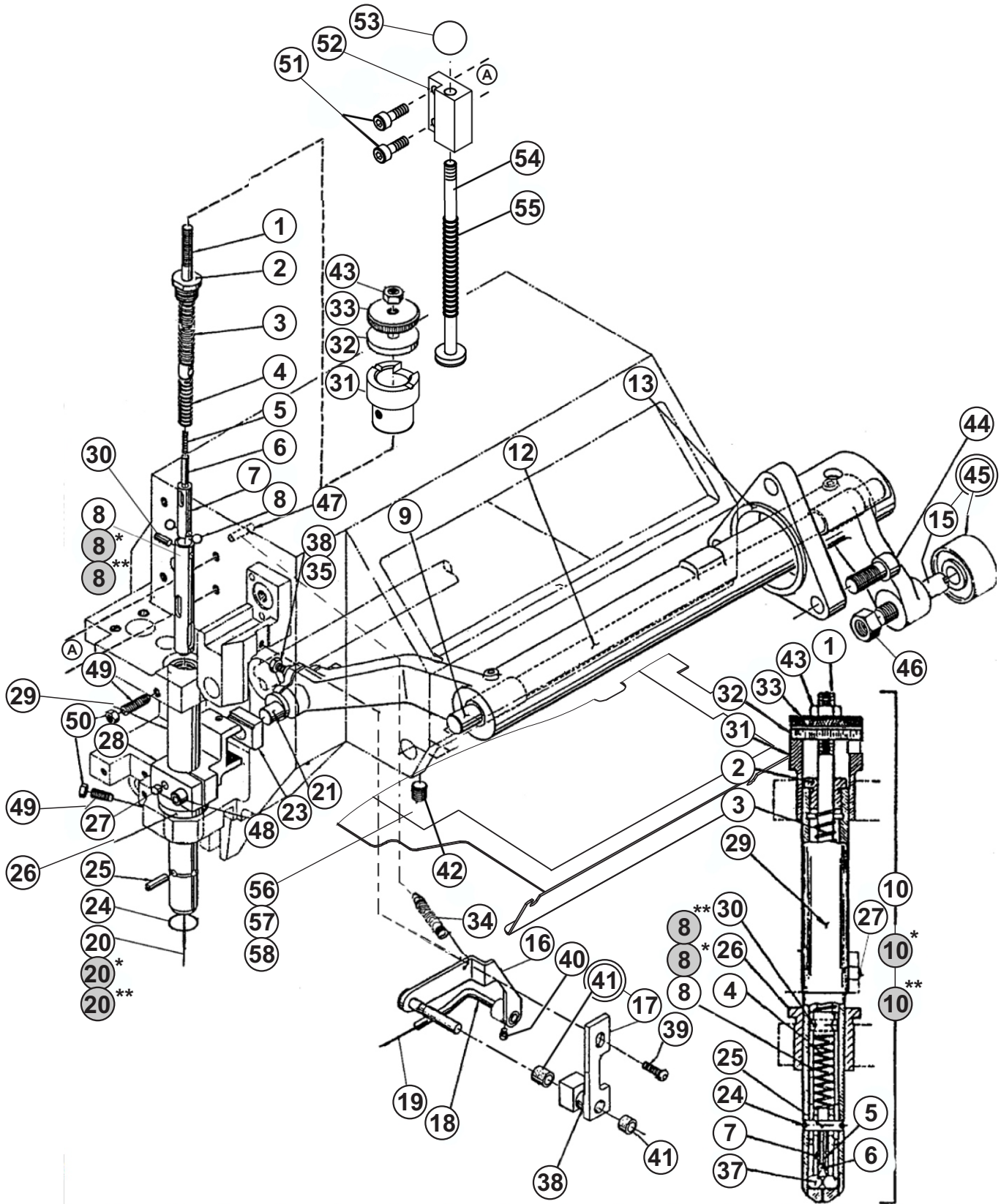
DET	PART NUMBER	DESCRIPTION	QTY
01	31674025	Sleeve Extension	1
02	31695011	Needle bar Spring Cap	1
03	36532021	Needle Bar Spring	1
04	36532022	Needle Lock Spring	1
05	36531010	Needle Stop Spring	1
06	36771021	Needle Stop	1
07	31566008	Needle Clamp Sleeve	1
08	35511021	Needle Support Sleeve	1
08*	35511081	Needle Support Sleeve	1*
08**	35511048	Needle Support Sleeve	1**
09	31723007	Rocker Arm Pivot	1
10	42531081	Needle Bar Assembly	1
10*	70.4253.1.078	Needle Bar Assembly	1*
10**	70.4253.1.079	Needle Bar Assembly	1**
12	36691014	Needle Bar Rocker Arm	1
13	35521048	Rocker Arm Bearing	1
15	31773015	Rocker Arm Bearing Stud	1
16	36631031	Assembly- Threader Lever	1
17	33215069	Threader Bearing	1
18	31996006	Threader Arm	1
19	37213001	Threader Needle	1
20	00103238	Round Needle	1
20*	00103228	Round Needle	1*
20**	00103249	Round Needle	1**
21	36518030	Bearing Block Stud	1
23	33182005	Needle Bar Bearing Block	1
24	35131002	Pin Retainer	1
25	31264001	Stop Pin	1
26	36523022	Needle Bar Small Bush	1
27	31151001	(Locating Pin) = part of Assembly 33441003	1
28	33441003	Needle Bar Clamp Upper	1
29	31697003	Needle Bar	1
30	31111009	Sleeve Ext. Conn. Pin	1
31	70.3652.3.023	Large Bushing	1
32	31412001	Spring Plunger Washer ●●●	1
33	31593007	Sleeve Adjust.Nut	1
34	36546023	Spring , Threader	1
35	04200011	Scr.,Mach. Hex. Hd #10 - 32 x 5/8	1
36	08.6852.5.000	Washer. Lock. Hi - Collar # 10	1
37	22965006	Ball. Stl." New Depart"# 11{64 Dia	2
38	24117520	Collar	1
39	01200007	Scr. Hex. Soc. But. Hd.# 10 - 32 x 3/8	1
40	01000298	Scr. Hex. Soc. Hd. Cap.# 5 - 40 x 1/8	1
41	23132030	Bushing Oilite #AA 309 ●●	(2)
42	03100008	Scr. Set Hex. Soc. Cap Pt.# 1/4 - 20 x 1/4	1
43	06002001	Nut. Hex. S. Stl. # 10 - 32	1
44	01000039	Scr. Hex. Soc. Hd. Cap # 5/16 - 18 x 3/4	3

* — Extra Parts Needle size 28

** — Extra Parts Needle size 48



UPPER NEEDLE BAR MECHANISM



UPPER NEEDLE BAR MECHANISM



DET	PART NUMBER	DESCRIPTION	QTY
45	23231030	Bearing , Ball	(1)
46	06104001	Locknut, " ESNA" 29 NTE- 54-	1
47	31721039	Pin Groove "Drive Loc"#1/4 x 1 (Type G)	1
48	01000013	Scr. Hex.Soc.Hd.Cap# 8 - 32 x 1/2	1
49	03130001	Scr., Hex. Soc. Cone Pt.. # 8 - 32 x 1/2	2
50	06020019	Nut. Jam Hex. # 8 - 32	2
51	08.6000.4.012	Screw	2
52	70.3652.3.026	Block ●●●	1
53	12.0008.6.979	Ball	1
54	70.3652.3.025	Bar	1
55	12.3010.0.014	Spring	1
56	70.3265.2.017	Cover	1
57	70.3271.1.025	Sound Isolation	1
58	08.6200.3.005	Screw M3x5	4

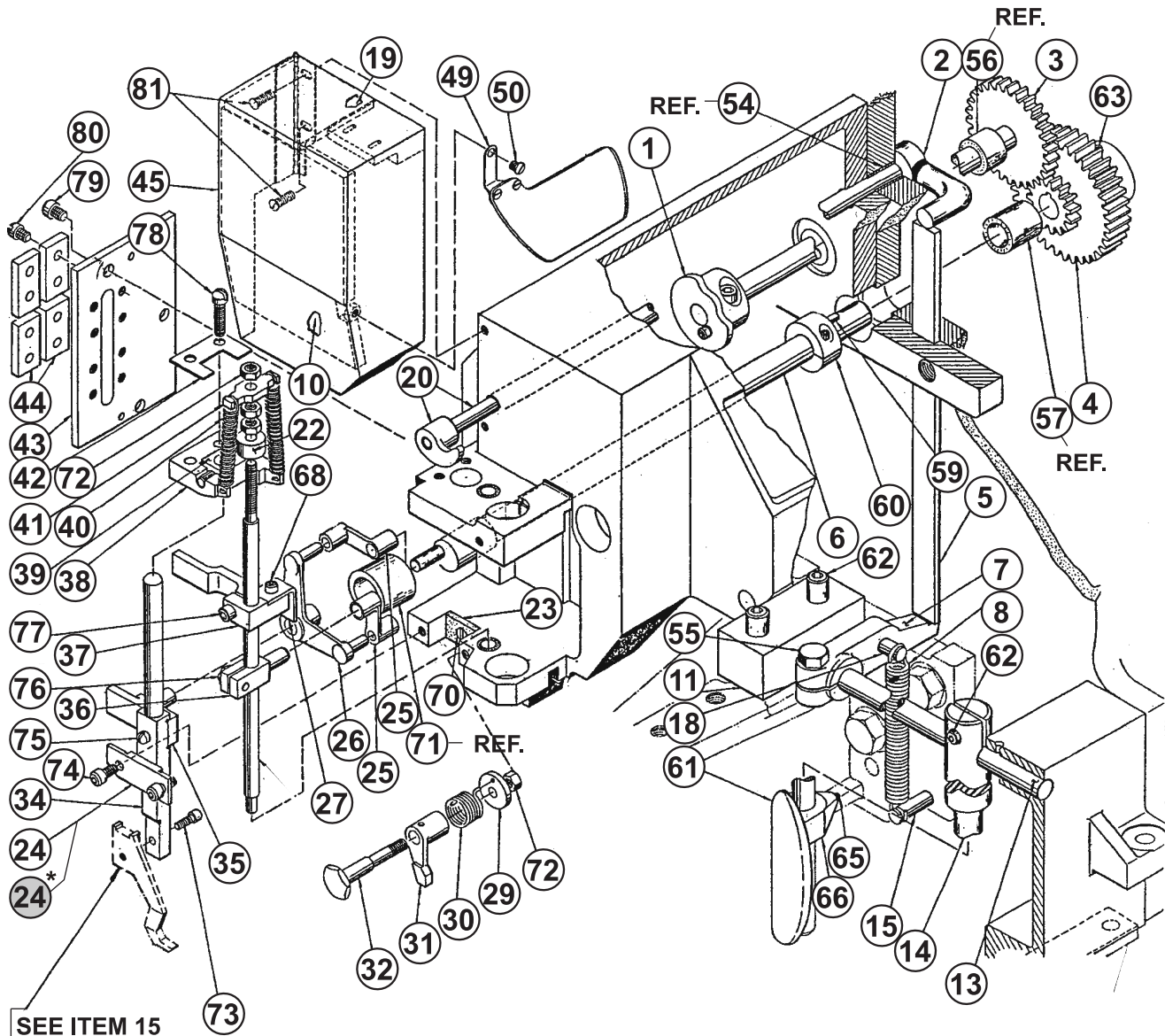
*

— Extra Parts

**

— Extra Parts

PRESSER FOOT MECHANISM

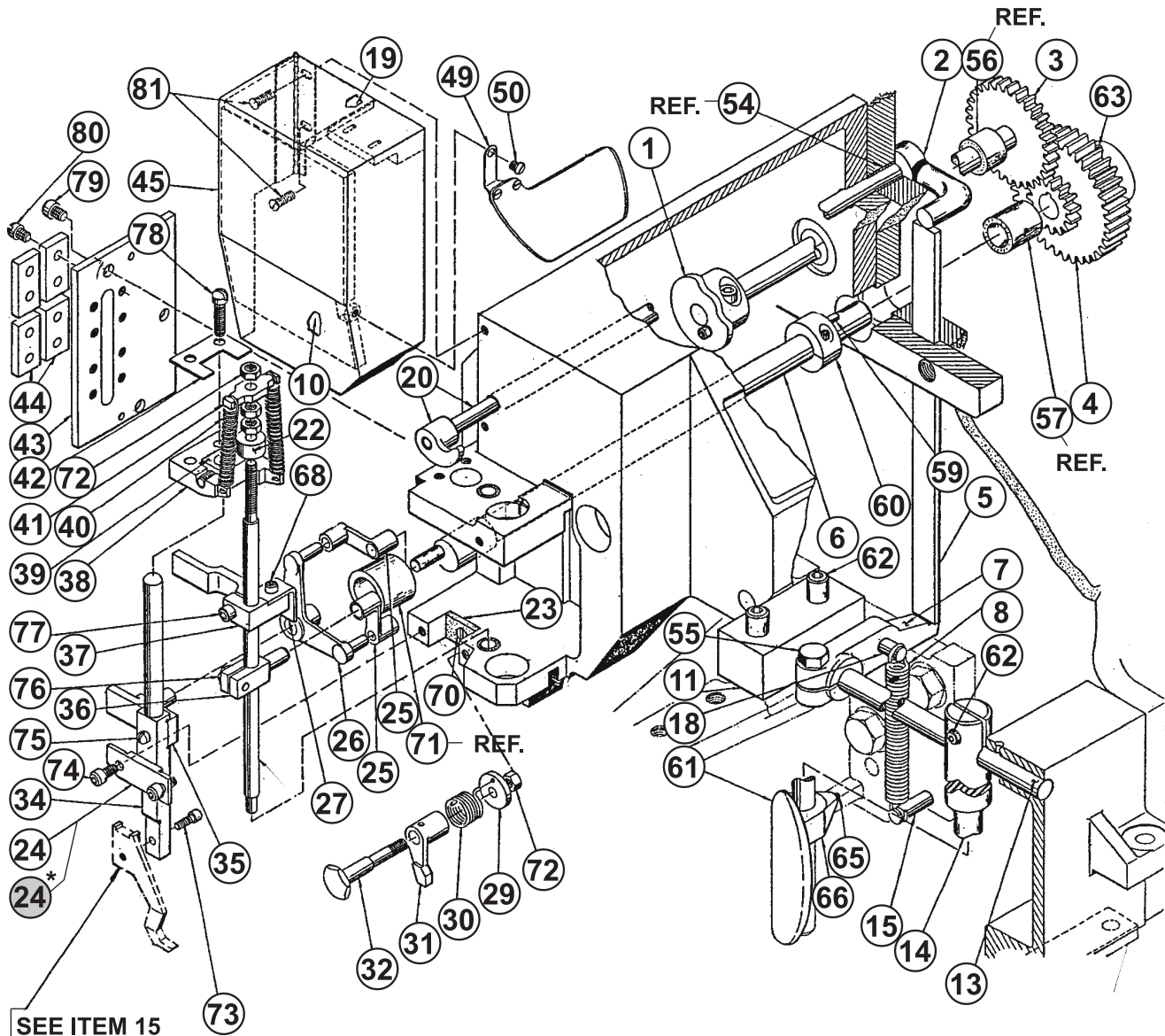


SEE ITEM 15
Page 3-42
SEE ITEM 6
Page 3-44

PRESSER FOOT MECHANISM

DET	PART NUMBER	DESCRIPTION	QTY
01	70.4223.3.029	Ass'y, Rt. Upper Looper Cam	1
02	36651001	Lifrer Lever. P. F.	1
03	36227019	Ass'y, Shaft Rt. Looper Cam	1
04	36271013	Ass'y, Presser Ft. Drive Gr.	1
05	32111012	Lifter Rod	1
06	36518077	Operation Shaft	1
07	36651002	Lifter Lever	1
08	36543018	Lever Spring	1
10			
11	35521055	Presser Foot Bearing	1
13	31133018	Presser FT. Oper. Shaft	1
14	70.3172.1.024	Knee Oper. Shaft	1
15	31721040	Spring Post	1
18	31721038	Spring Post	1
19			
20	36619044	Shaft/ Press. Ft. Lifter	1
22	31571002	Stationary Press. Foot Cap	1
23	32217002	Follower Side Guide Plate	1
24	33242002	Retainer Strap	1
24*	70.3324.2.003	Retainer Strap (Back-Tack)	1
25	36621001	Connector Link	2
26	36672047	Lifting Bell Crank	1
27	34221010	Conn. Link Retainer	1
28	31772035	Stationary Press. Foot Shaft	1
29	31521001	Adjusting Collar	1
30	36543020	Torsion Spring	1
31	36613036	Spring Lever	1
32	31718027	Lever Stud	1
34	31642007	Follow. Press. Ft. Shaft	1
35	35571021	Bell Crank Stud	1
36	31873013	Presser Foot Stud	1
37	33422001	Connector Link Block	1
38	33256011	Swivel Seat	1
39	31876011	Foot Swivel	1
40	36541005	Sprg. Tens. Follow. Ft	2
41	32729001	Clip Spring	1
42	32732001	Swivel Seat Cover	1
43	34732023	Rear Cover	1
44	32221007	Bell Crank Stud Guide	4
45	35771051	Ass'y Front Cover	1
49	70.2691.1.188	Eye Guard	1
		●●●	
			➔

PRESSER FOOT MECHANISM



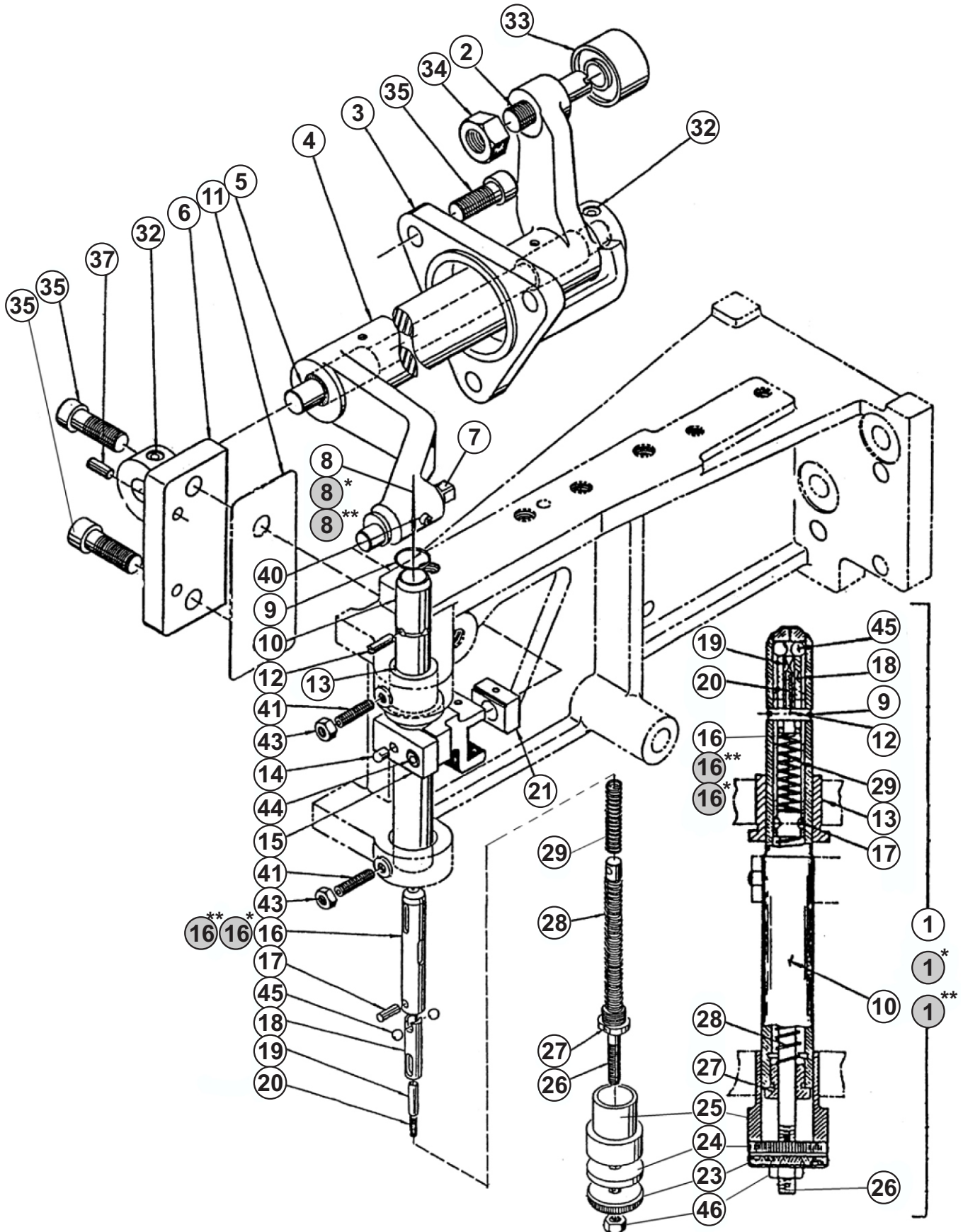
SEE ITEM 15
Page 3-42
SEE ITEM 6
Page 3-44

PRESSER FOOT MECHANISM



DET	PART NUMBER	DESCRIPTION	QTY
50	04100070	Scr. Bind. Hd. # 1/4 - 20 x 3/8	1
54	23132123	Bearing "Oilite" # AA 520 - 3 ●●	2
55	04200007	Scr. Hex. Hd. # 1/4 - 20 x 3/4	1
56	23132178	Bearing "Oilite" # AA 630 - 1 ●●	1
57	23132199	Bearing "Oilite" # AA 627 - 4 ●●	1
59	09020001	Key "Hi - Pro" 504 (1/8 x 5/8)	1
60	24117014	Collar	1
61	36773008	Nee Plate Pad ●●●	1
62	01000008	Scr. Hex. Soc. Hd. Cap. # 1/4 - 20 x 3/4	3
63	03100012	Scr. Set Hex. Soc. Cup Pt.#10 - 32 x 1/4	1
65	03100017	Scr. Set. Hex. Soc. Cup Pt.# 5/16 - 18 x 3/8	1
66	26913025	Knee Plate Retainer ●●●	1
68	01000059	Scr. Hex. Soc. Cap # 6 - 40 x 1/4	1
70	04000053	Scr. Flat Hd. # 5 - 40 x 3/8	1
71	23132297	Bushing "Oilite"# AA 807 / 3 ●●	1
72	06000002	Nut, Hex. # 10- 32	4
73	01000301	Scr. Hex. Soc. Cap # 6 - 40 x 5/16	1
74	01000004	Scr. Hex. Soc. Cap # 5 - 40 x 1/4	2
75	04120001	Scr. Fil. Hd. # 8 - 32 x 1/2	1
76	04200039	Scr. Hexl. Hd. # 10 - 32 x 3/8	1
77	01000013	Scr. Hex. Soc.Hd. Cap # 8 - 32 x 1/2	1
78	04120009	Scr. Fil. Hd. # 8 - 32 x 5/8	1
79	01000032	Scr. Hex. Soc.Hd. Cap # 10 - 32 x 3/8	3
80	04122093	Scr. Fil. Hd. # 8 - 32 x 1/4	8
81	04100054	Scr. Binding Hd. # 8 - 32 x 3/8	2
82	36773007	Knee Lever	1
83	31423006	Bushing	2

LOWER NEEDLE BAR MECHANISM



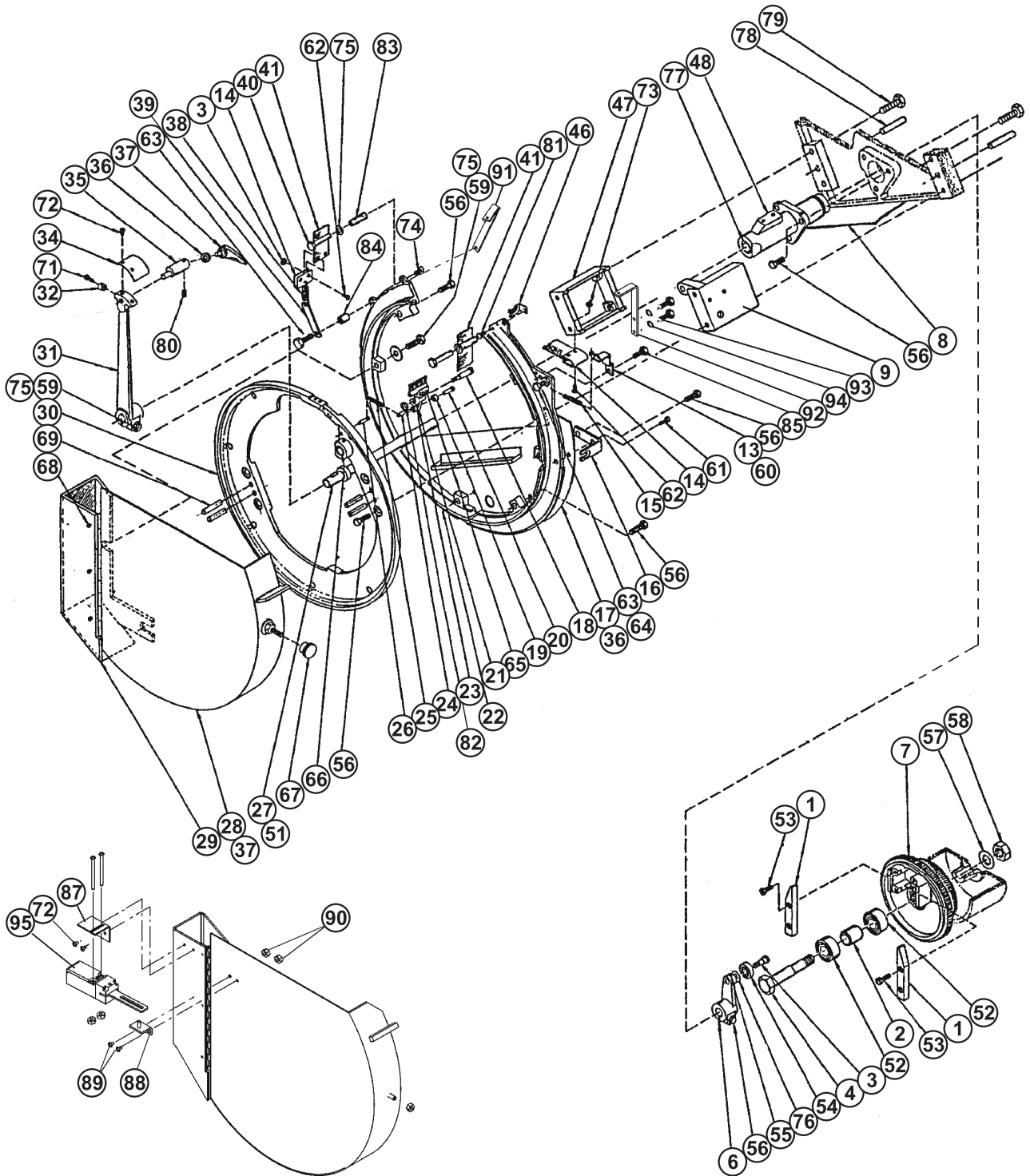
LOWER NEEDLE BAR MECHANISM

DET	PART NUMBER	DESCRIPTION	QTY
01	42531081	Needle Bar Assembly Size 38	1
01*	70.4253.1.078	Needle Bar Assembly Size 29	1*
01**	70.4253.1.079	Needle Bar Assembly Size 49	1**
02	31773015	Rocker Arm Bearing Stud	1
03	35521048	Rocker Arm Bearing	1
04	36691014	Rocker Arm	1
05	31723007	Rocker Arm Pivot	1
06	35521049	Rocker Arm Bearing	1
07	36518030	Bearing Block Stud	1
08	00103238	Round Needle 38	1
08*	00103228	Round Needle 28	1
08**	00103249	Round Needle 49	1
09	35131002	Pin Retainer	1
10	31697003	Needle Bar	1
11	32223045	Shim	1
12	31264001	Stop Pin	3
13	36523022	Small Bushing	1
14	31151001	(Locating Pin) Part of Assem.33441002	1
15	33441002	Lower Clamp, Needle Bar	1
16	35511021	Needle Support Sleeve 38	1
16*	35511081	Needle Support Sleeve 28	1*
16**	35511048	Needle Support Sleeve 49	1**
17	31111009	Sleeve Ext. Conn. Pin	1
18	31566008	Needle Clamp Sleeve	1
19	36771021	Needle Stop	1
20	36531010	Needle Stop Spring	1
21	33182005	Needle Bar Bearing Block	1
23	31593007	Sleeve Adj. Nut	1
24	31412001	Spring Plunger Washer ●●●	1
25	36523021	Large Bushing	1
26	31674025	Sleeve Extension	1
27	31695011	Spring Cap	1
28	36532021	Needle Bar Spring	1
29	36532022	Needle Lock Spring	1
32	03100066	Scr. Set Hex.Soc. Cup Pt.# 1/4 - 20 x 5/16	2
33	23231030	Bearing , Ball Part of A 31773015.	1
34	06104001	Nut, Lock "ESNA" # 29 NTE - 54	1
35	01000039	Scr., Hex. Soc. Hd. Cap # 5/16 - 18 x 3/4	5
37	08002028	Pin, Dowel # 3/16 x 7/8	1
40	01000021	Scr., Hex. Soc. Hd. Cap # 10 - 32 x 5/8	1
41	03130001	Scr. Set Hex. Soc. Cone Pt # 8 - 32 x 1/2	2
43	06020019	Nut, Jam Hex.# 8 - 32	2
44	01000013	Scr ., Cap. Hex. Soc.# 8 - 32 x 1/2	1
45	22965006	Ball. Stl. "New Departure" # 11/64	2
46	06002001	Nut, Hex. S. Stl. # 10 - 32	1

* — used on Size 28

** — used on Size 49

LOWER LOOPER AND THREAD DRUM MECHANISM

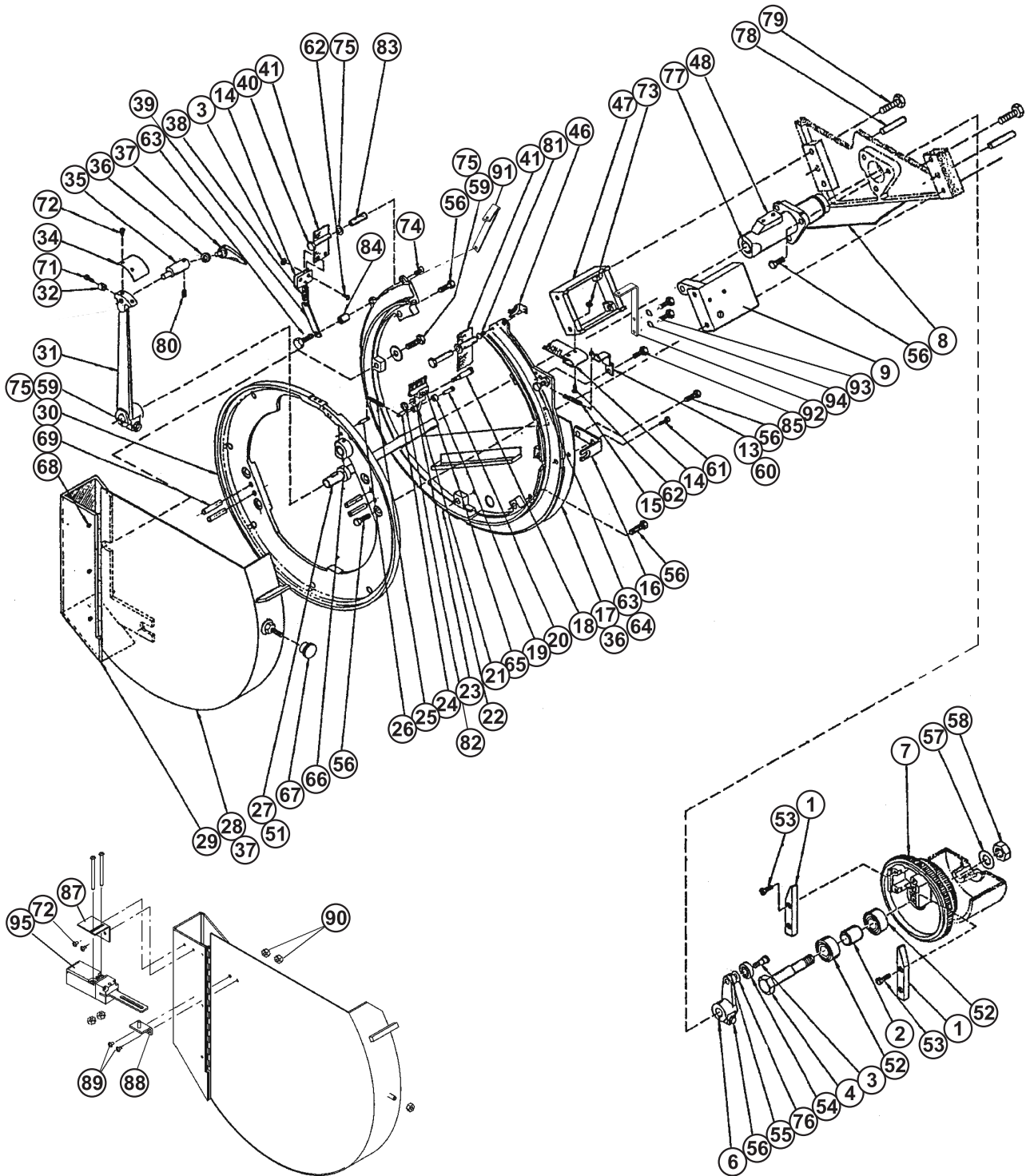


LOWER LOOPER AND THREAD DRUM MECHANISM

DET	PART NUMBER	DESCRIPTION	QTY
01	32533076	Drive Gib	2
02	31464002	Bearing Spacer	1
03	31715005	Bearing Stud	1
04	31845002	Gear Stud	1
06	36651008	Arm Crank	1
07	36271006	Arm Crank Drive Gear	1
08	70.3577.7.042	Crank Guard	1
09	35561001	Tie Bracket (only for DECO 2000 BP)	1
13	34647001	Belt Tightener Arm	1
14	34111085	Belt Spring Fastener	2
15	36542017	Thread Tightener Spring	1
16	34372004	Lock Clip	1
17	35778014	R. S. Drum Cover	1
18	31718025	Brush Cam Lever Stud	1
19	31413030	Cam Roller	1
20	31612051	Roll Stud	1
21	70.3669.1.008	Brush Holder Cam Lever	1
22	35633040	Thread Separator ●●	1
23	70.3727.4.013	Thread Brush	1
24	31721053	Spring Post	1
25	07.6440.0.050	Lever Spring	1
26	31721054	Spring Post	1
27	31781006	Loop Arm Shaft	1
28	41831082	Drum Cover Assembly	1
29	35812048	Rear Drum Guard	1
30	35633041	Drum ●●	1
31	36653010	Lower Looper Arm ●	1
32	31572004	Locking Wedge	1
34	34585001	Belt Support	1
35	36518029	Lower Looper Hook Extn.	1
36	36341050	Lower Looper Hook Spacer	1
37	37211018	Lower Hook Assembly	1
38	36543019	Take - Up Spring	1
39	32241004	Take - Up Spring Lever	1
40	31838013	Belt Pulley Stud	2
41	70.3657.2.009	Thread Belt ●●●	1
46	37112030	Ass`y., Separator Guide (only for DECO 2000 ATT)	(2)
47	35371004	Drum Rear Tie Bracket	1
48	35541070	Hook Arm Bearing	1



LOWER LOOPER AND THREAD DRUM MECHANISM



LOWER LOOPER AND THREAD DRUM MECHANISM

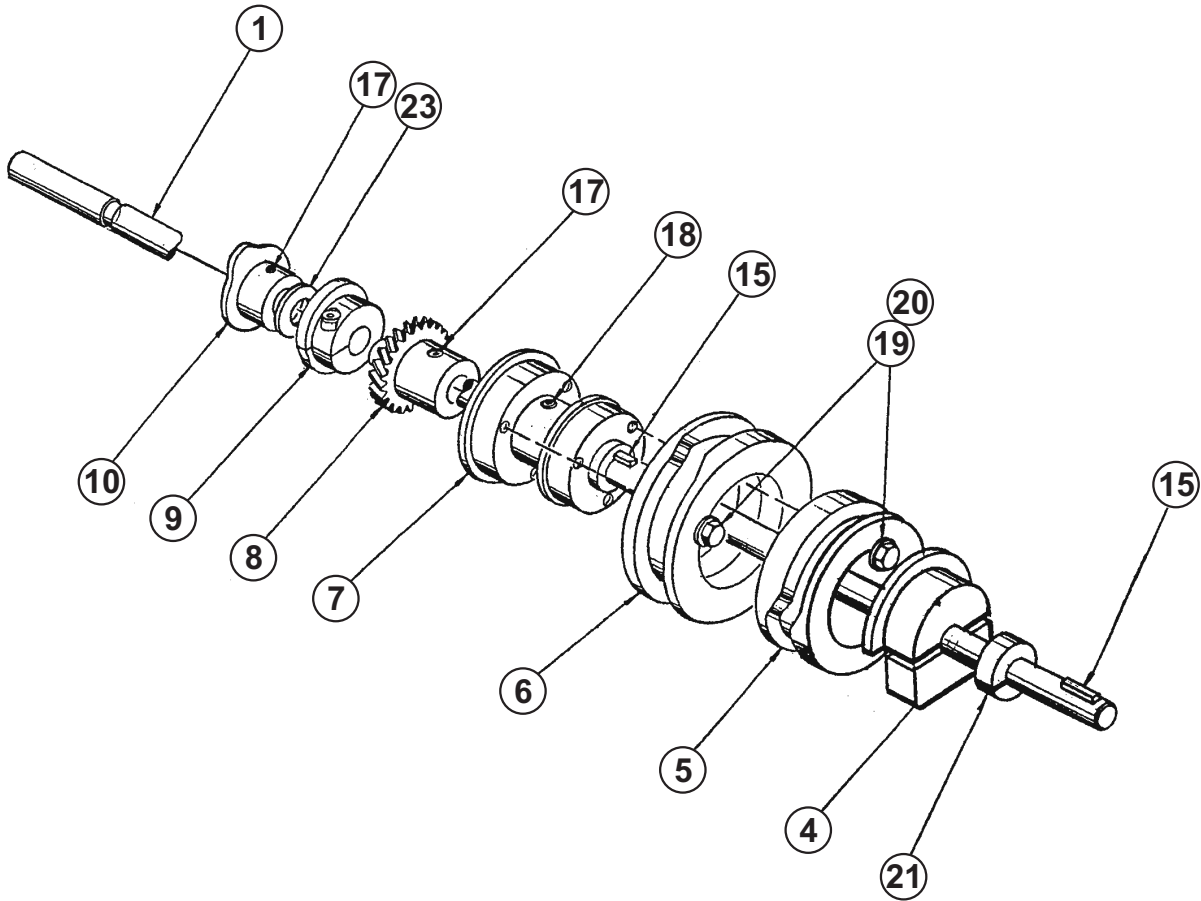
DET	PART NUMBER	DESCRIPTION	QTY
51	09020001	Key, Hi - Pro # 1/8 x 5/8	1
52	23231217	Bearing, Ball, " New Depart"# Z 99503	2
53	01000026	Scr., Hex. Soc. Hd. Cap # 1/4 - 20 x 5/8	4
54	23231210	Bearing, Ball, " New Depart"# 77039	1
55	03100013	Scr., Set Hex. Soc. Hd. Cup Pt. # 1/4 - 20 x 3/8	1
56	04200027	Scr., Hex. Hd. # 5/16 - 18 x 1.0	11+(1)
57	07002009	Washer, Flat # 5/8	1
58	06030014	Nut, Hex. # 5/8 - 11	1
59	04200031	Scr. Hex. Hd. # 5/16 - 18 x 1 1/4	3
60	23914009	Hook "S" - Gerwin Corp.# 55 - 3/4	1
61	04100011	Scr. Binding Hd.# 10 - 32 x 3/8	1
62	04100053	Scr. Binding Hd.# 8 - 32 x 5/16	4
63	04202013	Scr.Hex Hd.# 1/4 - 20 x 1 1/4	2
64	06000004	Nut, Hex # 1/4 - 20	3
65	01000010	Scr. Fil.Hd.# 5 - 40 x 3/8	2
66	23161073	Bearing ,"Oilite" # FF - 707 - 3	1
67	22967003	Knob w/1/4 - 20 Insert "Reid"# DK - 17	1
68			
69	08000016	Pin, Dowel # 3/16 x 3/4	4
71	01002015	Scr. Hex Soc.Hd. Cap # 8 / 32 x 5/8	1
72	01200011	Scr. Hex Soc.But. Hd. Cap # 8 / 32 x 1/4	2
73	06020019	Nut Hex.Jam # 8 - 32	4
74	04000020	Scr.,Flat Hd.# 10 - 32 x 1/2	2
75	07012010	Washer, Flat # 5/16	3+(1)
76			
77	23161095	Bushing,"Oilite" # FF 843 - 2	●● (2)
78	08000022	Pin, Dowel # 5/16 x 1 1/4	2
79	04200051	Scr., Hex. Soc.Cap # 5/16 - 18 x 1 1/2	4
80	03100012	Scr.,Set Hex. Soc.Cup # 10 - 32 x 1/4	1
81	01200019	Scr.,But.Hd. Hex. Soc. # 6 - 32 x 1/2	1
82	06000002	Nut, Hex. # 10 - 32	1
83	31838014	Bushing Diameter 8 x 35	2
84	31423032	Spacer."RAF"# 1223 - 25 - SS - O -	1
85	04200012	Scr. Hex.Hd. # 1/4 - 20 x 1/2	1
86	17.0004.7.253	Oiler	(1)
87	70.3441.6.045	Switch Holder	1
88	70.3441.6.046	Controller	1
89	01200011	Screw	2
90	06020019	Nut	2
91	70.3288.3.605	Holder	1
92	70.3288.3.604	Holder	1
93	01000002	Screw # 8-32x3/8	2
94	07102007	Spring Washer	2
95	12.0008.4.595	Limit Switch	2
96	71.3271.1.022	Sound Isolation	●●● 1
97	71.3271.1.021	Sound Isolation	●●● 1

Revised: 06/2018

E-mail: service@amfreece.cz; webside: www.amfreece.com

Phone: +420 582 309 146; Fax: +420 582 360 606

MAIN CAM SHAFT ASSEMBLY

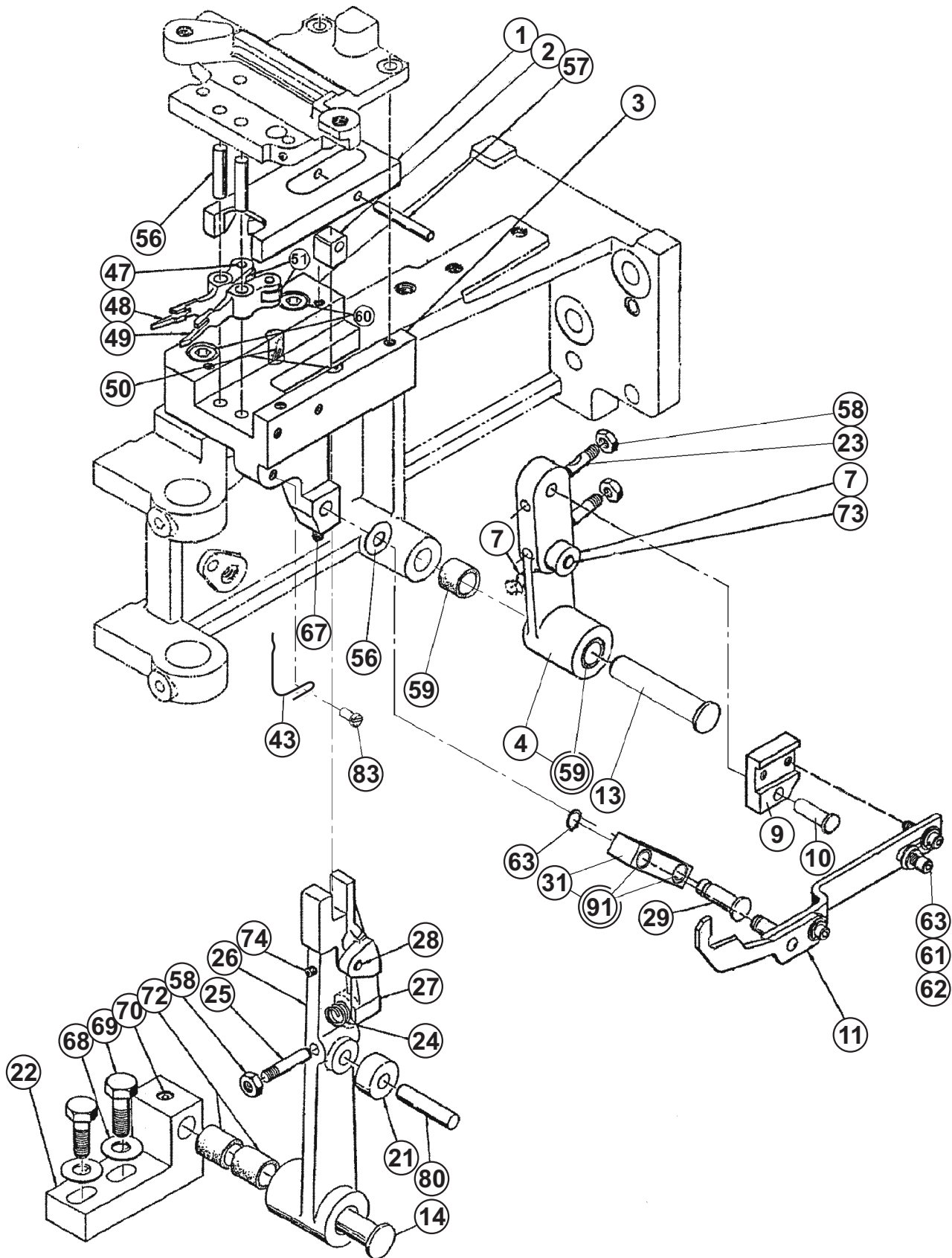


MAIN CAM SHAFT ASSEMBLY

DET	PART NUMBER	DESCRIPTION	QTY
01	31734013	Cam Shaft	1
04	31000008	Flag Assembly	1
05	36513046	Thread Lifter Hook Cam	1
06	36516014	Thread Clamp Cam	1
07	31751004	Clamp Finger Cam Hub	1
08	36223009	Tension Finger Drive Gear	1
09	36514046	Angle Plate Cam (only for DECO 2000 BP)	1
10	36515013	Brush Operating Cam	1
15	09020001	Key, Hi - Pro # 1/8 x 5/8	2
17	03100012	Scr.,Set Hex. Soc.Cup Pt. # 10 - 32 x 1/4	2
18	01.2548.0.000	Scr. Hex. Soc.Cup Pt. # 1/4 - 20 x 1/4	1
19	22911037	Scr.Mach..Cap Pt. # 10 - 32 x 3/8 AN 3 - 3A	2
20	07012001	Washer, Flat # 10	2
21	24117012	Collar, Clamp "Maxwell" # 1/2 I.D. (8 L)	1
23**	22912058	Shim, Arbor "SDP" # 7C8 - E 16062	1

** — Modificatioin Deco 2000 Bender Plate

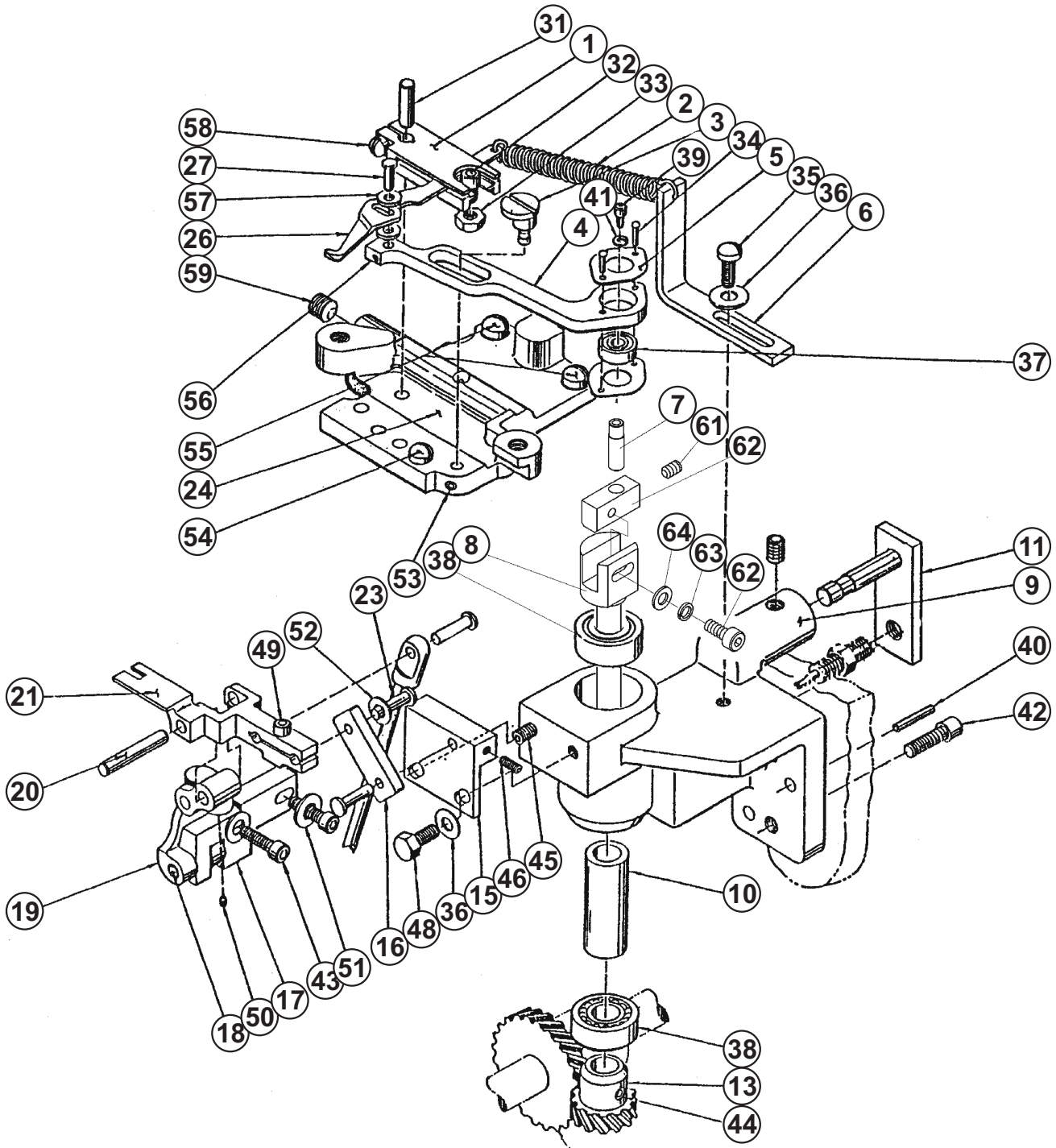
THREAD GRIPPER & ELEVATOR MECHANISM



THREAD GRIPPER & ELEVATOR MECHANISM

DET	PART NUMBER	DESCRIPTION	QTY
01	33257001	Clamp Finger Cam Slide	1
02	32434001	Thread Clamp Pivot Block	1
03	35551002	Thread Clamp Finger Brkt.	1
04	36661001	Thread Lifter Hook Cam Lever	1
07	31413031	Cam Roller	1
09	33244009	Hook Adjust Block	1
10	31611010	Cam Lever Stud	1
11	70.3721.1.153	Lifter Hook Assembly	1
13	31641015	Cam Lever Stud	1
14	31641019	Cam Lever Stud	1
21	31423068	Cam Roller	1
22	36613038	Clamp Pivot Bracket	1
24	36532025	Clamp Finger Lever Spring	1
25	31288023	Clamp Stud	3
26	36673028	Clamp Finger Lever	1
27	36647001	Spring Piece	1
28	31215008	Piece Pin	1
29	31641010	Thread Hook Lifter Lever Stud	1
31	33334012	Thread Hook Lifter Lever	1
43	70.3282.7.103	Divider	1
47	31112002	Roller Pin	2
48	70.3664.5.007	Rear Finger	1
49	70.3664.5.006	Front Finger	1
50	32121004	Slide Wick Oiler	2
51	31413029	Cam Roller	2
56	08000044	Pin Dowel # 3/16 Dia x 1	2
57	08000109	Pin Dowel # 5/32 x 1	1
58	06000002	Nut # 10 - 32	2
59	01.7305.0.900	Bearing ●●	(2)
60	01000047	Scr. Hex. Soc. Hd. Cap # 5/16 - 18 x 1	2
61	07012005	Washer, Flat # 8	2
62	07102007	Washer, Lock Spring # 8	2
63	25379218	Ring Retainer # 5100 - 25 (1/4)	1
65	01000002	Scr. Hex. Soc. Hd. Cap # 8 - 32 x 3/8	2
67	03100012	Scr.Set Hex. Soc. Cup Pt. # 10 - 32 x 1/4	1
68	07012002	Washer Flat # 1/4	2
69	01000037	Scr. Hex. Hd. # 1/4 - 20 x 1.0	2
70	03100066	Scr.Set Hex. Soc. Cup Pt. # 1/4 - 20 x 5/16	2
72	23132142	Bearing " Oilite " # AA - 521 - 1	2
73	08000110	Pin, Dowel # 7/32 Dia x 5/8	1
74	03140003	Scr.Set Hex. Soc. Oval Pt. # 8 - 32 x 3/8	1
80	08000007	Pin, Dowel # 1/4 Dia x 1.0	1
83	04100054	Screw #8-32	1
91	23132056	Bearing	(2)

PICK STITCH & TENSION FINGER

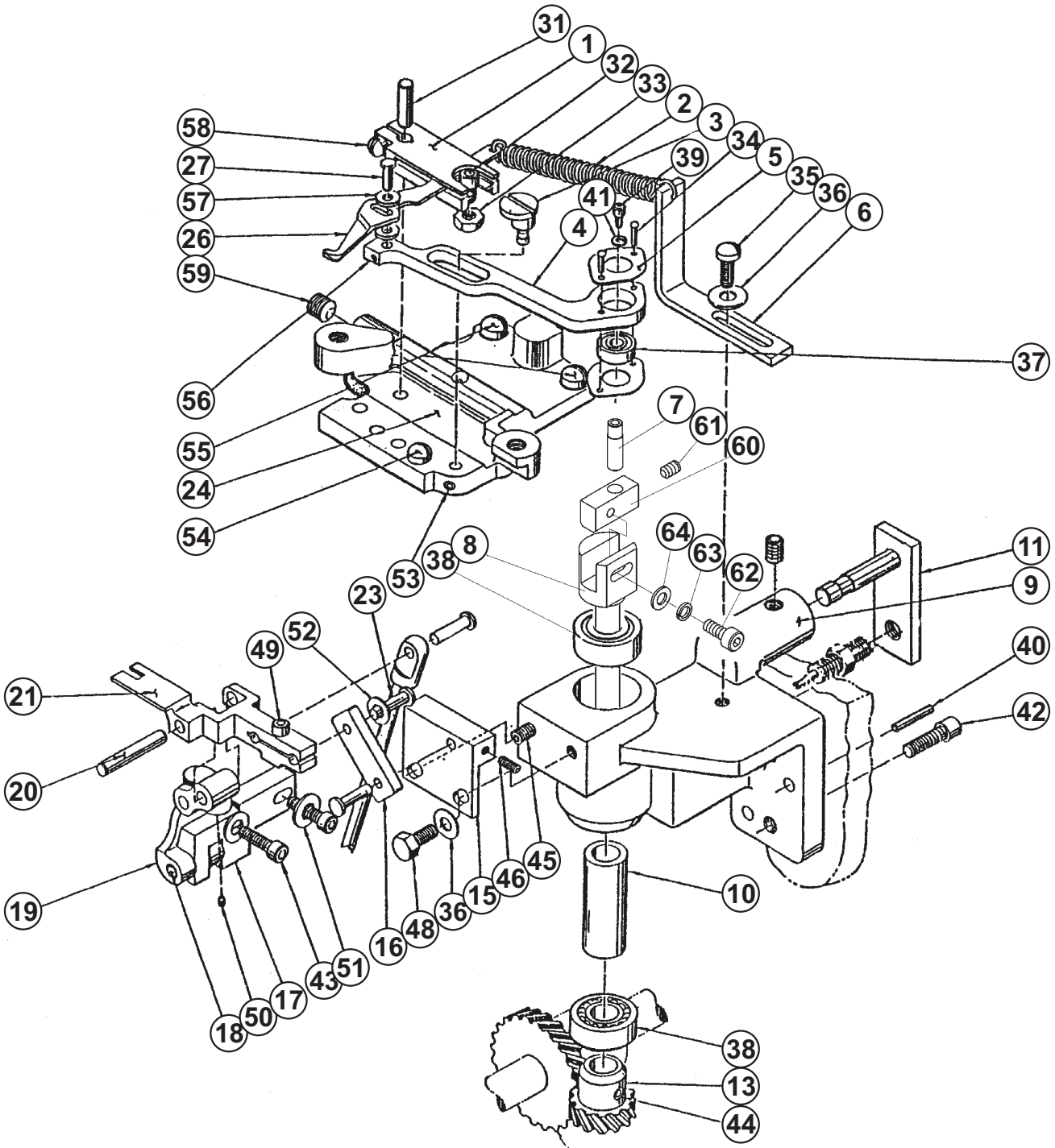


PICK STITCH & TENSION FINGER

DET	PART NUMBER	DESCRIPTION	QTY
01	35511045	Support Block	1
02	36542018	Finger Spring	1
03	36518027	Stud Eccentric	1
04	35526005	Slide Support	1
05	32691001	Ball Bearing Retainer	2
06	34372042	Finger Spring Tension Holder	1
07	70.3651.8.022	Support Stud	1
08	70.3651.8.020	Eccentric Shaft	1
09	35542007	Tension Finger Ball Bearing Bracket	1
10	31426015	Bearing Spacer	1
11	31000009	Sensor Holding Assembly	1
13	36221009	Driven Gear	1
15	33252029	Pusher Plate	1
16	32643073	Link (Pick Stitch)	1
17	33258075	Plate Bracket Pivot Arm Support	1
18	31721022	Lower Finger	1
19	36677016	Pivot, Arm	1
20	31215012	Bracket Pin	1
21	36691021	Bender Plate	1
23	31612045	10 - 6 Cam Roller Stud	3
24	35815007	Bracket Cover	1
26	37211131	Thread Tension Finger	1
27	31611064	10 - 1 Plain Stud	1
31	08000015	Pin, Dowel #3/16 Dia x 5/8 Lg	1
32	01000058	Scr., Hex. Soc. Hd. Cap # 8 - 32 x 3/16	1
33		Nut, Square # 8 - 32	1
34	08504001	Rivet, Rd. Hd. (Alum.) # 1/16 x 5/16	2
35	04120002	Scr., Fill. Hd. # 10 - 32 x 3/8	1
36	07012001	Washer, Flat # 10	2
37	23231040	Bearing , Ball "New Depart" # 77 R 3	1
38	23231226	Bearing	2
39	01000005	Scr., Hex. Soc. Hd. Cap # 6 - 32 x 1/4	1
40	08000044	Pin, Dowel # 3/16 x 1.0	2
41	07102001	Washer, Lock # 8	1
42	01000047	Scr., Hex. Soc. Hd. Cap # 5/16 - 18 x 1.0	1
43	01002015	Scr., Hex. Soc. Hd. Cap # 8 - 32 x 5/8	2
44	03100154	Scr., Hex. Soc. Hd. Cup Pt. # 10 - 32 x 3/16	2
45	03102026	Scr., Hex. Soc. Hd. Cup Pt. # 10 - 32 x 1/2	1
46		Scr., Hex. Soc. Flat Pt. # 8 - 32 x 1/4	1
48	04200039	Scr., Hex. Hd. # 10 - 32 x 3/8	1
49	01000027	Scr., Cap Hex. Soc. # 6 - 40 x 3/8	1
50	03101038	Scr., Set Self lock Knurl. Cup # 6- 40 x 1/4	1



BENDER PLATE & TENSION FINGER

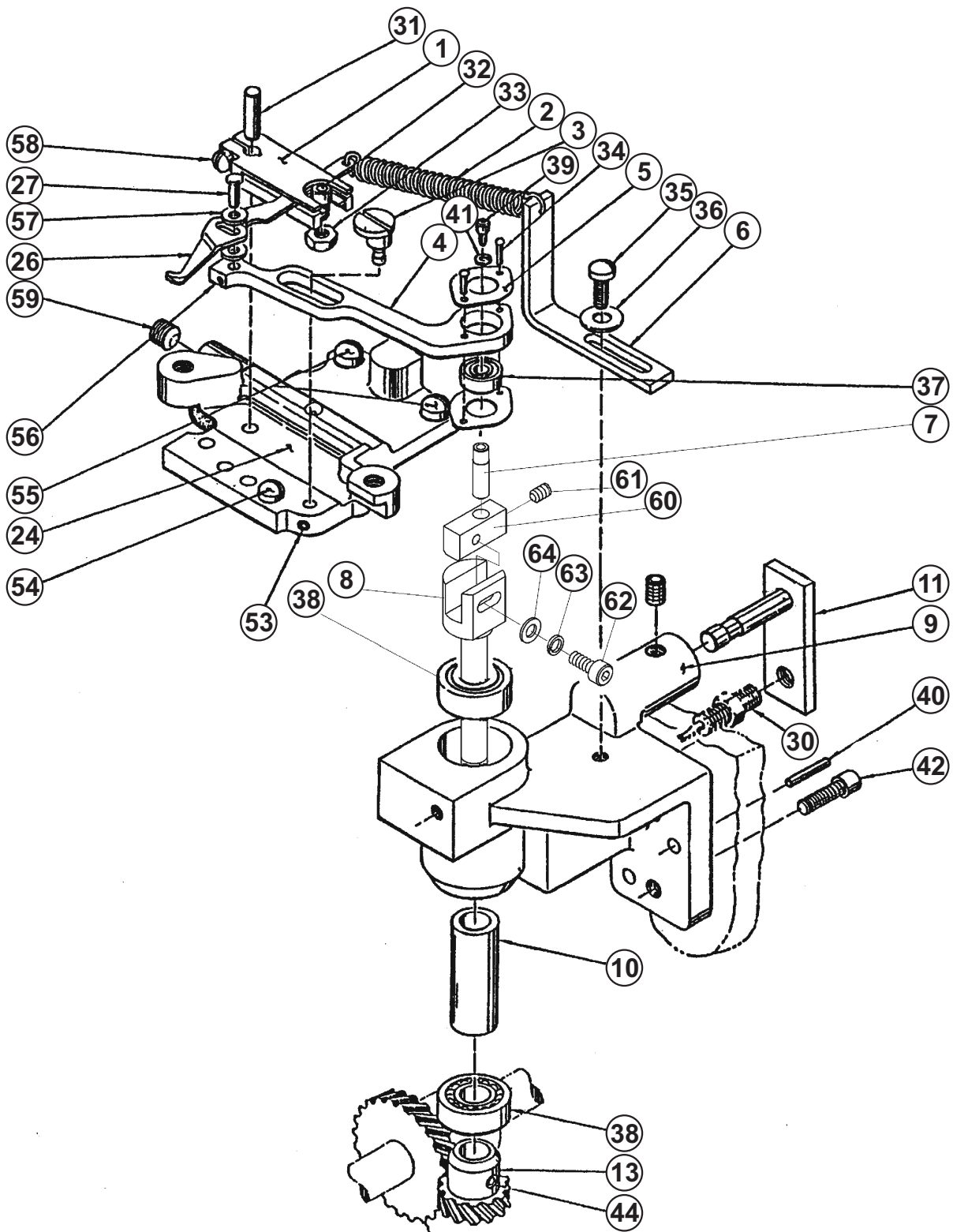


BENDER PLATE & TENSION FINGER



DET	PART NUMBER	DESCRIPTION	QTY
51	07002002	Washer , Flat # 8	2
52	07012004	Washer , Flat # 6	1
53	03100038	Scr., Set Hex. Soc. Cap # 5 - 40 x 3/16	1
54	04120012	Scr., Fill. Hd. # 8 - 32 x 5/16	1
55	04120001	Scr., Fill. Hd. # 8 - 32 x 1/2	2
56	03100147	Scr., Set Hex. Soc. Cup Pt. # 6 - 40 x 3/16	1
57	07016002	Washer, Flat (Brass) # 5	2
58	04120004	Scr., Fill. Hd. # 8 - 32 x 3/8	1
59	03100008	Scr., Hex. Soc.Cup. Pt. # 1/4 - 20 x 1/4	1
60	70.3651.8.021	Holder	1
61	08.6400.4.005	Screw M4x5	1
62	08.6000.4.010	Screw M4x10	1
63	08.6802.4.000	Spring Washer 4,1	1
64	08.6852.4.000	Washer 4,3	1

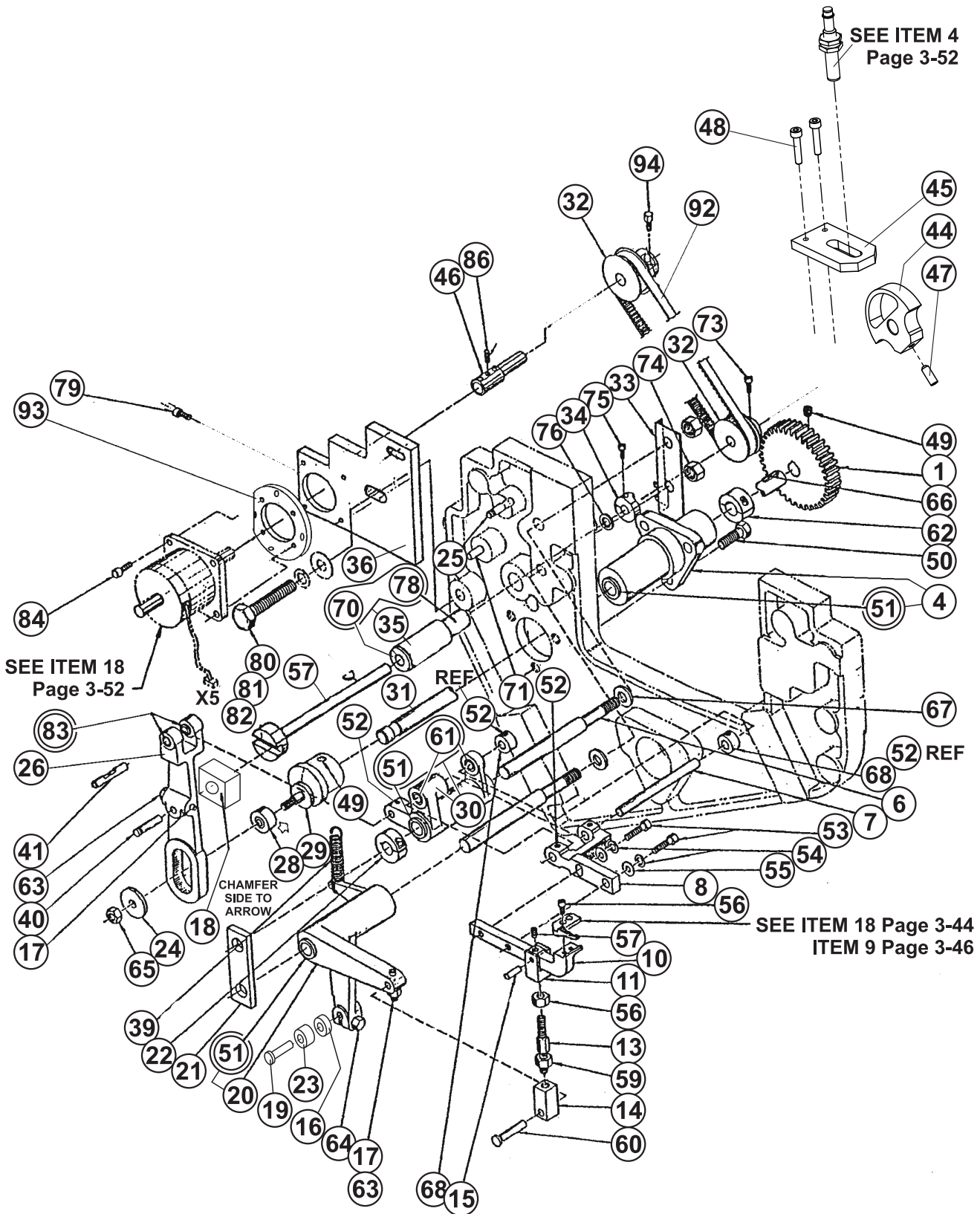
TENSION FINGER ASSEMBLY



TENSION FINGER ASSEMBLY

DET	PART NUMBER	DESCRIPTION	QTY
01	35511045	Support Block	1
02	36542018	Finger Spring	1
03	36518027	Stud Eccentric	1
04	35526005	Slide Support	1
05	32691001	Ball Bearing Retainer	2
06	34372042	Finger Spring Tension Holder	1
07	70.3651.8.022	Support Stud	1
08	70.3651.8.020	Eccentric Shaft	1
09	35542007	Tension Finger Ball Bearing Bracket	1
10	31426015	Bearing Spacer	1
11	31000009	Sensor Holding Assembly	1
13	36221009	Driven Gear	1
24	35815007	Bracket Cover	1
26	37211131	Thread Tension Finger	1
27	31611064	10 - 1 Plain Stud	1
30	12.0008.3.244	Sensor	1
31	08000015	Pin, Dowel # 3/16 Dia. X 5/8 Lg.	1
32	01000058	Scr., Hex. Soc.Hd. Cap. # 8 - 32 x 3/16	1
33	06000003	Nut. Mach. Scr. Hex. # 8 - 32	1
34	08504001	Rivet, Rd. Hd. (Alum.) # 1/16 x 5/16	2
35	04120002	Scr., Fil. Hd. # 10 - 32 x 3/8	1
36	07012001	Washer, Flat # 10	1
37	23231040	Bearing, Ball "New Depart" # 77 R 3	1
38	23231226	Bearing	2
39	01000005	Scr., Hex. Soc.Hd. Cap. # 8 - 32 x 1/4	1
40	08000044	Pin, Dowel # 3/16 x 1.0	1
41	07102007	Washer, Lock # 8	1
42	01000047	Scr., Hex. Soc.Hd. Cap. # 5/16 - 18 x 1.0	1
44	03100154	Scr., Set Hex. Soc.Cup Pt. # 10 - 32 x 3/16	1
53	03100038	Scr., Set Hex. Soc.Cup. # 5 - 40 x 3/16	1
54	04120012	Scr., Fil. Hd. # 8 - 32 x 5/16	1
55	04120001	Scr., Fil. Hd. # 8 - 32 x 1/2	2
56	03100147	Scr., Set Hex. Soc.Cup.Pt. # 6 - 40 x 3/16	1
57	07016002	Washer, Flat (Brass) # 5	2
58	04120004	Scr., Fil. Hd. # 8 - 32 x 3/8	1
59	03100008	Scr., Set Hex. Soc.Cup.Pt. # 1/4 - 20 x 1/4	1
60	70.3651.8.021	Holder	1
61	08.6400.4.005	Screw M4x5	
62	08.6000.4.010	Screw M4x10	
63	08.6802.4.000	Spring Washer 4,1	
64	08.6852.4.000	Washer 4,3	

MATERIAL FEED

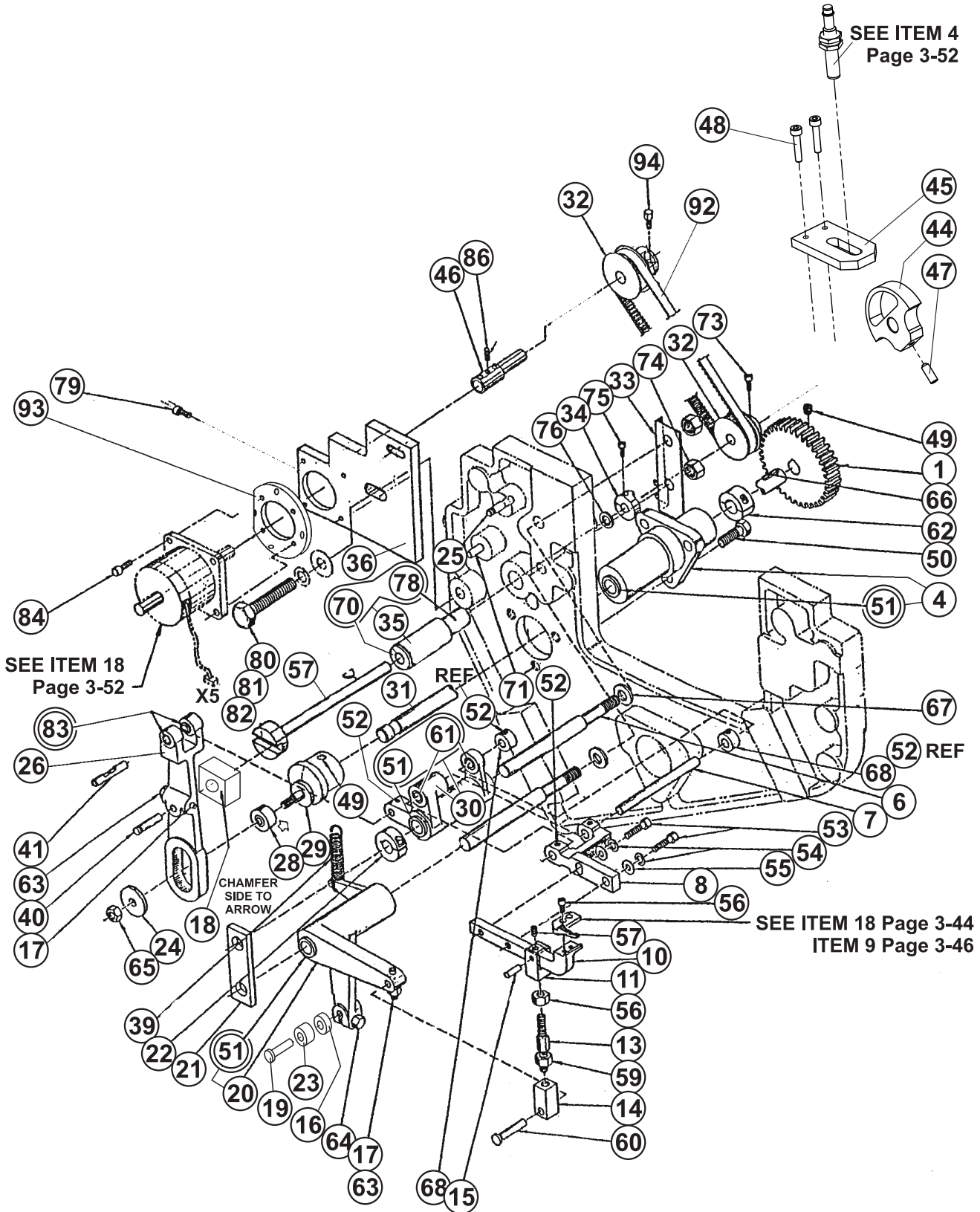


MATERIAL FEED

DET	PART NUMBER	DESCRIPTION	QTY
01	36226011	Material Feed Drive Gear ●●●	1
04	31881004	Material Feed Drive Shaft Bearing	1
06	31773013	Feed Motion Brkt. Shaft	2
07	31217001	Material Feeder Arm Support Bracket Shaft	1
08	35523018	Material Feeder Support Bracket	1
10	36613034	Material Feeder Arm	1
11	32739004	Material Feeder Arm Fift, Fork	1
13	31852015	Feeder Lifter Rod	1
14	32428002	Feeder Lifter Rod Hd.	1
15	31215002	Lifter Fork Pin	1
16	08.6852.6.000	Washer	1
17	31288023	Clamp Stud	2
18	70.3142.3.070	Guide Block	1
19	31612052	Cam Roller Stud	1
20	36691022	Feeder Lifter Bell Crank	1
21	32225017	Shaft Support Plate	1
22	31511015	Feed Mtn. Bracket Shaft Collar	1
23	23231045	Bearing	1
24	31421005	Feed Mtn. Ecc. Stud Washer	1
25	31721039	Post, Spring	1
26	36667012	Feed Eccentric Arm	1
28	36344057	Feed Motion Cam roller	1
29	36515020	Material Feed Cam	1
30	36678019	Feed Motion Bracket	1
31	31728003	Material Feed Drive Shaft	1
32	70.3634.3.063	Pulley Stitch Adj. Shaft Drive	2
33	70.3462.7.067	Limit Stop Plate	1
34	36771079	Slide Block Limit Stop	1
35	35225010	Slide Bearing Block	1
36	31000006	Motor Mounting Bracket ●	1
37	31644004	Stitch Adj. Slide Block	1
39	36546024	Ext. Spring	1
40	08000007	Pin Dowel #1/4 x 1	1
41	31215079	Feed Motion Bracket Pin	1
44	31000018	Home Sensor Cam	1
45	70.3100.0.020	Sensor Mtg. Plate	1
46	70.3100.0.043	Extension Shaft	1
47	03102026	Screw	1
48	08.6000.4.020	Screw	2
49	03100013	Scr., Set Hex. Soc.Cup.Pt. # 1/4 - 20 x 3/8	2
50	04200030	Scr., Hex.Hd.Cap # 5/16 - 18 x 3/4	1



MATERIAL FEED

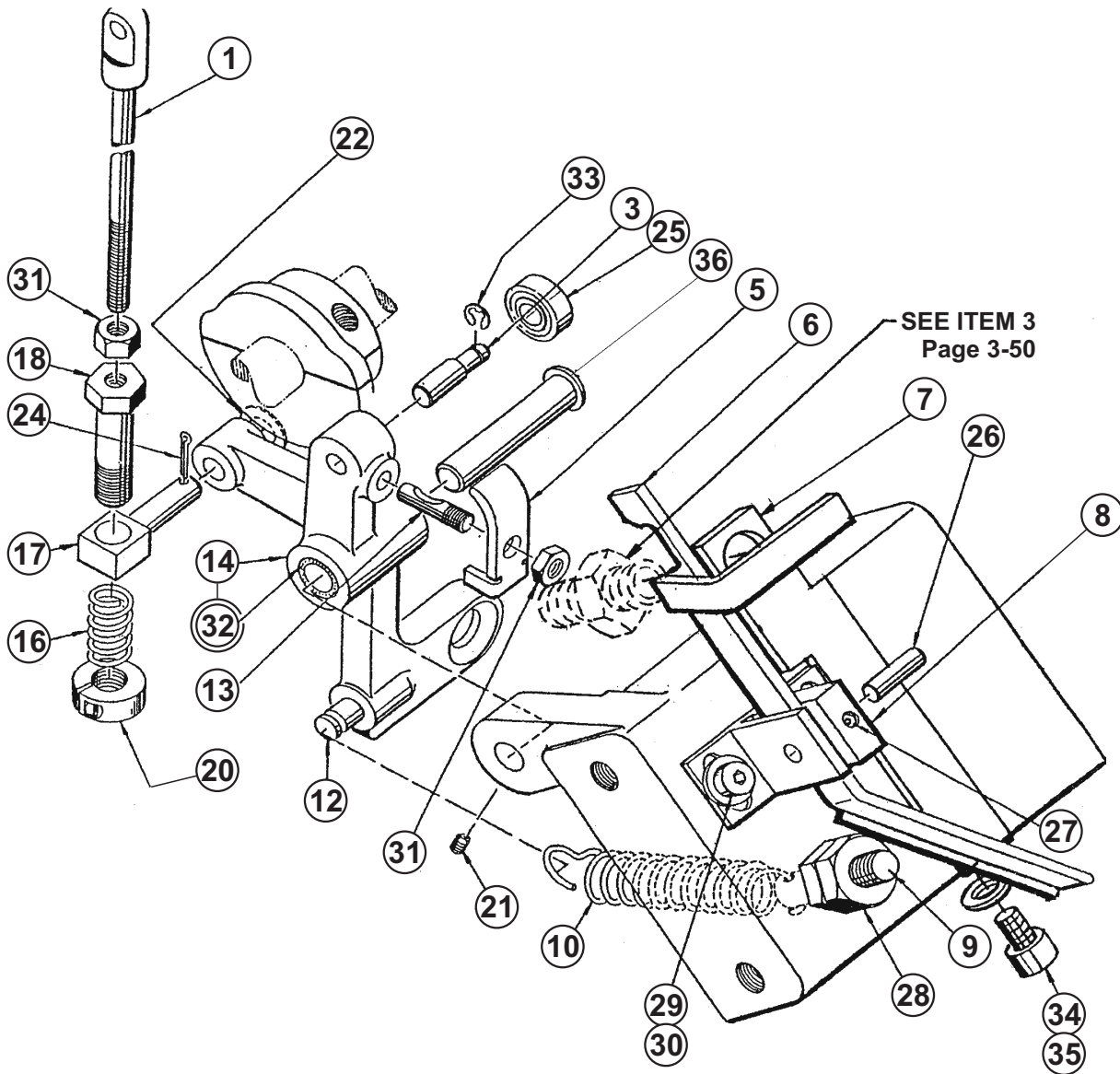


MATERIAL FEED



DET	PART NUMBER	DESCRIPTION	QTY
51	23161073	Bushing "Oilite" #FF - 707 - 3 ●●	(6)
52	03100051	Scr., Set Hex. Soc.Cup.Pt. # 8 32 x 1/8	3
53	01000019	Scr., Hex. Soc. Hd.Cap. # 10 - 32 x 3/4	1
54	07100011	Washer, Lock #10	2
55	07012001	Washer, Flat # 10	2
56	01000059	Scr., Hex. Soc. Hd.Cap. # 6 - 40 x 1/4	1
57	03100012	Scr., Hex. Soc.Cup.Pt. # 10 - 32 x 1/4	1
58	06020004	Nut.Hex.Jam # 1/4 - 20	1
59	06020021	Nut.Hex.Jam L. H. # 1/4 - 20	1
60	31612054	Stud, Cam Roller # 10 - 6 - 1A1 - 67	1
61	23132122	Bearing "Oilite" # AA - 520 - 8 ●●	3
62	24117012	Collar "Holokrome" # 15014	1
63	06000002	Nut. Hex # 10 - 32	1
64	04200011	Scr., Hex. Hd. # 10 - 32 x 5/8	1
65	06000005	Nut. Hex # 1/4 - 28	1
66	09020001	Key, Hi - Pro # 1/8 x x 5 /8	1
67	22912090	Washer "Reid`s " H. Duty # FW - 3	2
68	01.7435.1.000	Collar	2
70	23161048	Bushing "Oilite" # FF - 607 - 3 ●●	(1)
71	08000044	Pin. Dowel # 3/16 x 1	1
73	01000013	Scr., Hex. Soc. Hd. Cap # 8 - 32 x 1/2	2
74	06000014	Nut. Hex # 3/8 - 16	2
75	01000017	Scr., Hex. Soc. Hd. Cap # 6 - 32 x 3/8	1
76	23181235	Bearing, Thrust "Rulon" # DRT 0612 - 2	1
78	23132155	Bushing "Oilite" # AA - 507 - 2 ●●	(1)
79	01000026	Scr. H. S. H. C. # 1/4 - 20 x 5/8	1
80	04200046	Scr., Hex. Hd. # 3/8 - 16 x 2	1
81	07100009	Washer, Spring Lock # 3/8	1
82	07012003	Washer, Flat # 3/8	1
83	23161008	Bearing "Oilite" # FF - 303 ●●	(2)
84	01000056	Scr., Hex. Hd.Cap # 10 - 24 x 1/2	4
85	03102026	Scr.,Set Hex.Soc.Cup Pt. # 10 - 32 x 1/2	1
86	08.6400.4.008	Screw M 4 - 8	3
92	24381054	Belt Timming "SDP" # 6 B 3085025 ●●●	1
93	70.3100.0.040	Motor Flange	1
94	08.6000.4.010	Screw M 4 - 10	4

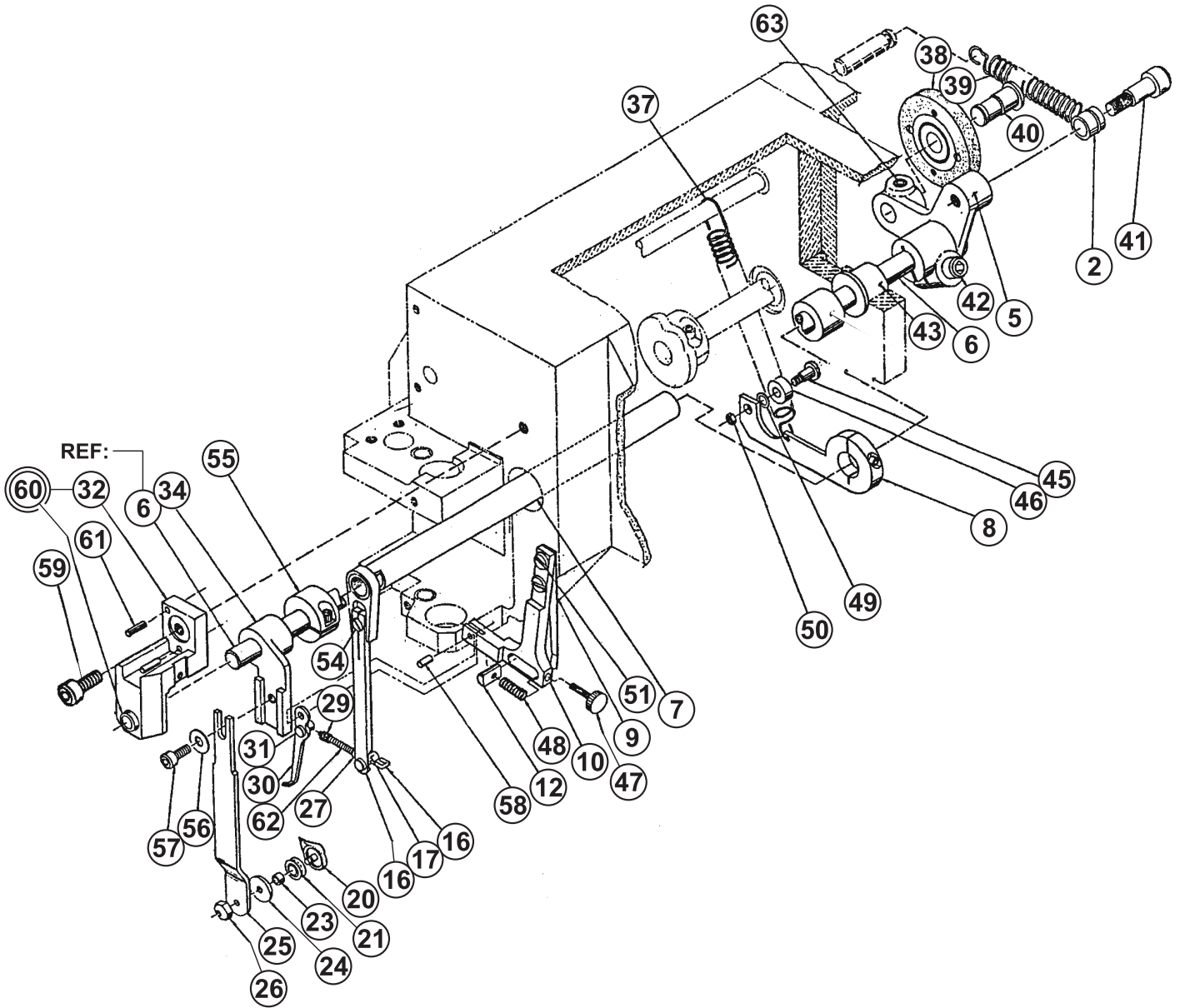
ANGLE STITCH MECHANISM



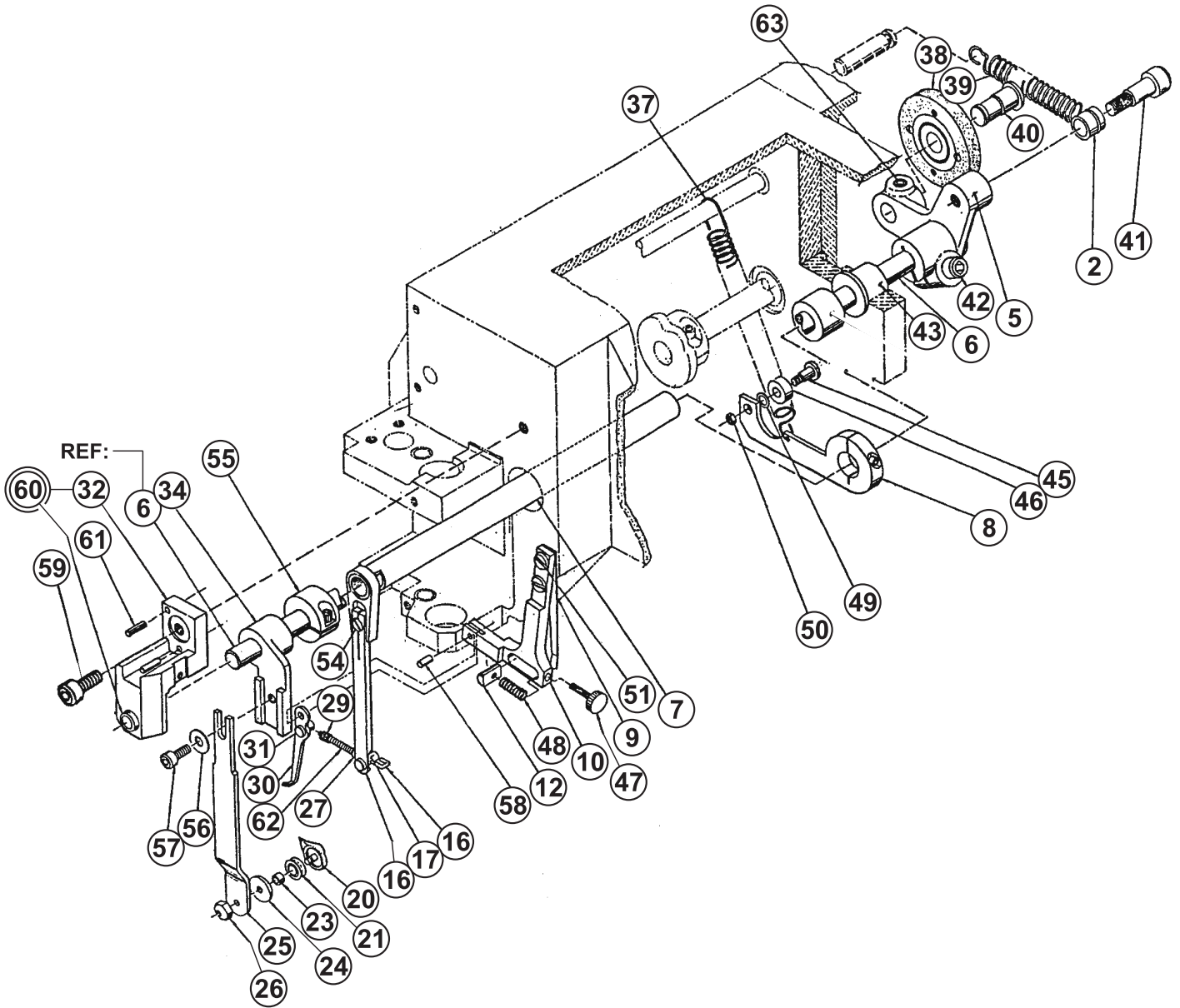
ANGLE STITCH MECHANISM

DET	PART NUMBER	DESCRIPTION	QTY
01	35111007	Bracket Rod	1
03	31613007	Roller Stud	1
05	34758001	Locking Latch Clip	1
06	31000032	Angle Plate Lock. Latch	1
07	31000033	Sensor Mount	1
08	32769003	Locking Latch Bearing	1
09	31283001	Plate Cam Lever Spring Stud	1
10	36543022	Stitch Adj. Cam Lever Spring	1
12	31721038	Spring Post	1
13	31288023	Clamp Stud	1
14	36674012	Cam Lever	1
16	36533015	Rod Spring	1
17	31873011	Pusher Block	1
18	31839020	Adjusting Bushing	1
20	24117216	Collar, Clamp, Stl.# 5/16 - 24 Threaded	1
21	03100002	Scr.,Set Hex.Soc.Cup. # 8 - 32 x 3/16	1
22	07012002	Washer, Flat # 1/4	1
24	08322001	Pin. Cotter # 1/16 x 1/2	1
25	23231040	Bearing, Ball "New Depart" # 77 R 3	1
26	08000015	Pin, Dowel # 3/16 x 5/8	1
27	03140005	Scr.,Set Hex.Soc. Oval Pt.. # 10 - 32 x 5/16	1
28	06130002	Nut, Hex. Lock # 5/16 - 18	2
29	01000032	Scr.,Set Hex.Soc.Cap. # 10 - 32 x 3/8	2
30	07012001	Washer, Flat # 10	2
31	06124010	Nut, Hex. Lock # 10 - 32	2
32	23132115	Bushing "Oilite" # AA - 401 - 1	(1)
33	25379273	E - Ring "Truarc" # 5133 - 18	1
34	01000025	Scr., Hex.Soc. Hd. Cap.. # 10 - 32 x 1/2	1
35	07102006	Washer, Spring Lock # 10	1
36	31641017	Support Bracket Shaft	1

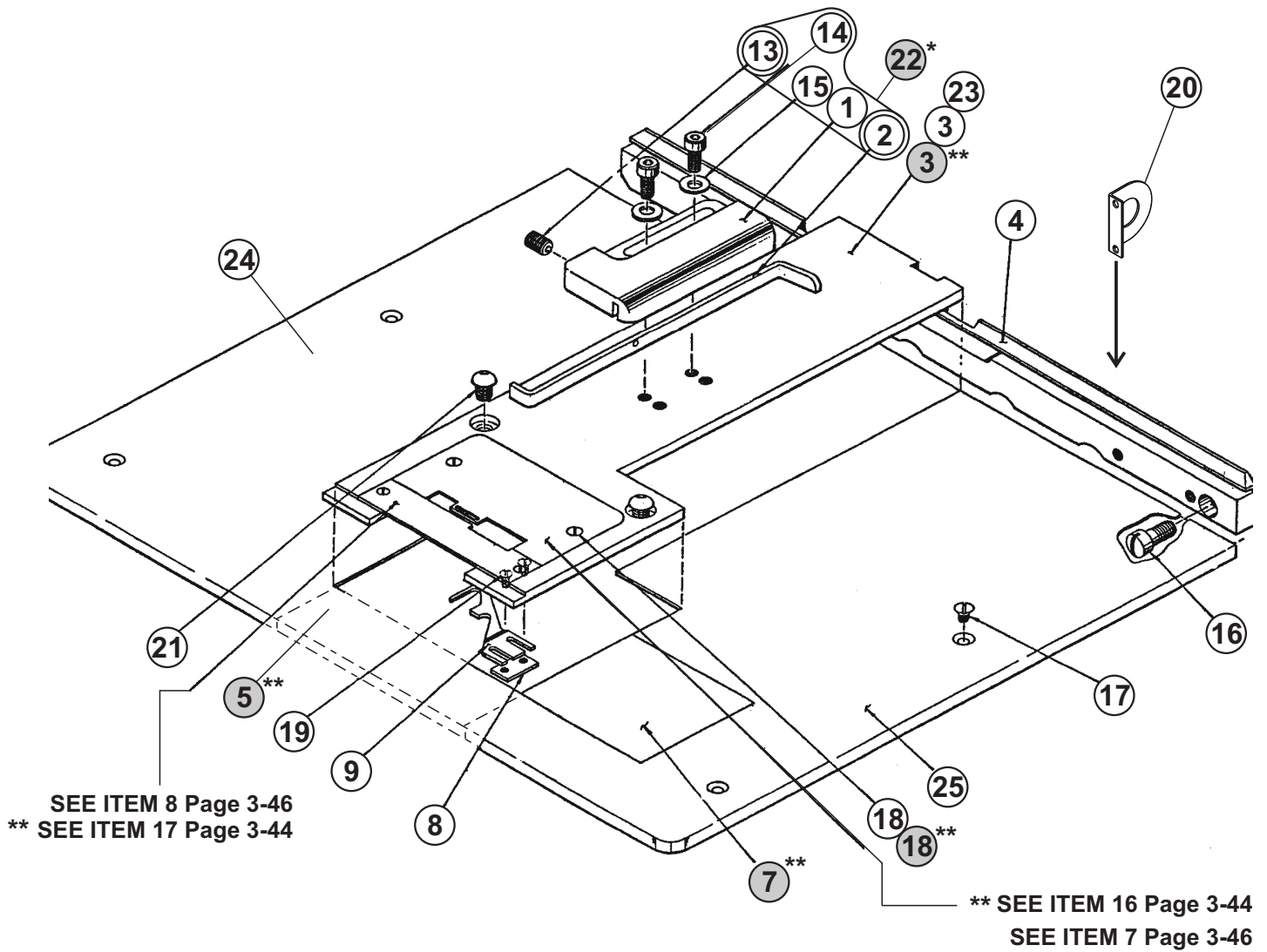
UPPER LOOPER



UPPER LOOPER



WORK PLATE ASSEMBLY



* EXTRA PARTS

** PICK STITCH

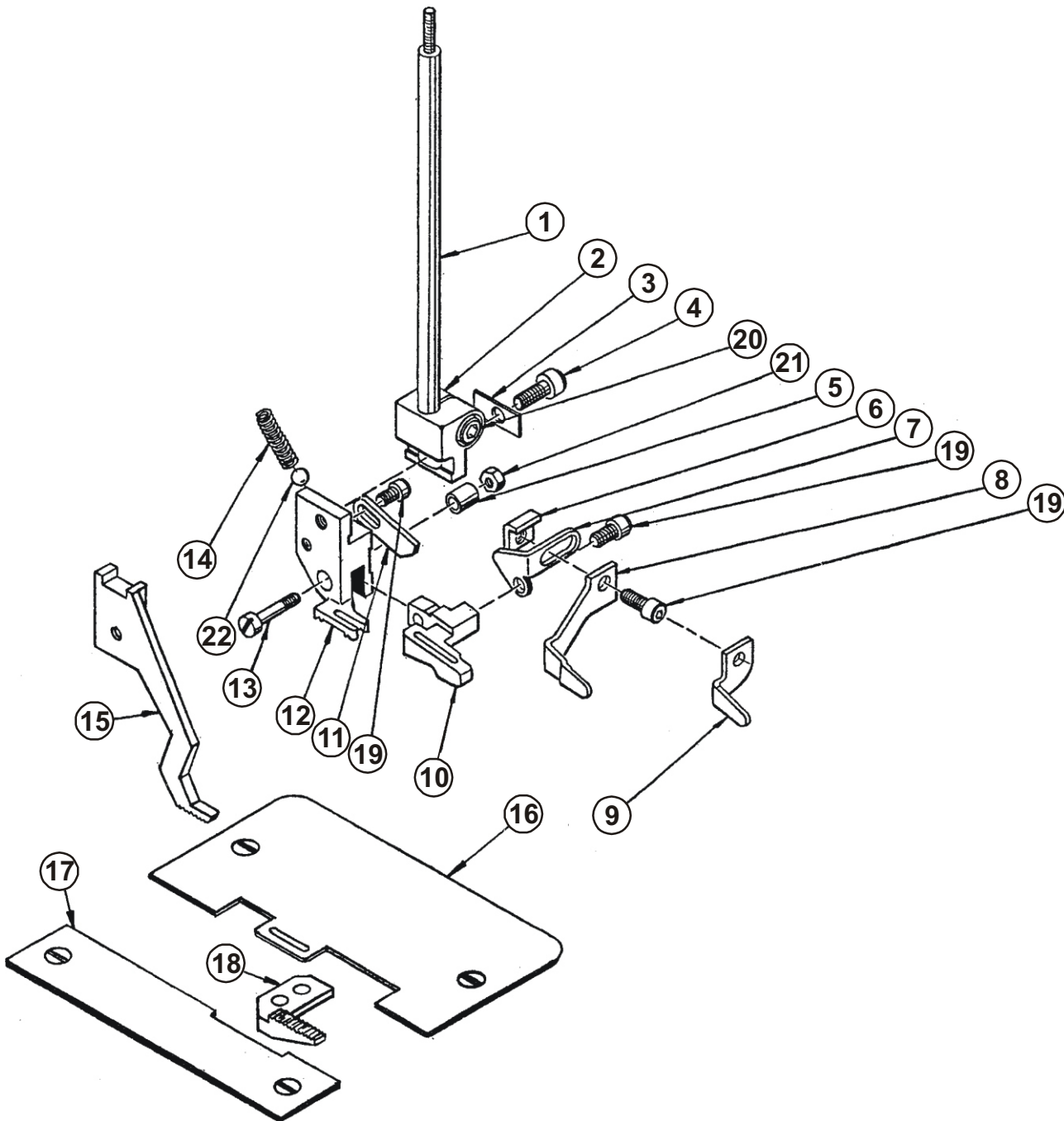
WORK PLATE ASSEMBLY

DET	PART NUMBER	DESCRIPTION	QTY
01	36741109	Slide Material Gauge	(1)
02	37771022	Rod Material Gauge - Assembly	(1)
03**	33258076	Throat Plate Holder	1
03	70.3325.8.077	Throat Plate Holder	
04	70.3542.1.065	Table Rest	1
05**	70.3541.1.112	Metal Table	1
07**	35411121	Acces Plate - Assembly	1
08	32233001	Clamp Strip	1
09	37211133	Thread Guide Finger	1
13	22966116	Plunger, Ball "Vlier" # BL - 54 N	(1)
14	01000032	Scr., Hex. Soc.HD. Cap # 10 - 32 x 3/8	(2)
15	07012001	Washer, Flat # 10	(2)
16	04120070	Scr., Fol. Hd. # 1/4 - 20 x 1/2	2
17	04002109	Scr., Flat. Hd.(S. Stl.) # 8 - 32 x1/4	4
18	04002086	Scr., Flat. Hd.(S. Stl.) # 5 - 40 x 1/4	2
18**	04002086	Scr., Flat. Hd.(S. Stl.) # 5 - 40 x 1/4	4
19	04002087	Scr., Flat. Hd.(S. Stl.) # 5 - 40 x 5/16	2
20	31000052	Bracket	1
21	01200031	Scr., Hex. Soc.But. Hd. # 1/4 - 20 x 3/8	2
22*	03.5570.0.017	Material Gauge Slide - Assembly	1
23	12.0010.6.200	Magnet	4
24	70.3474.3.093	Metal Plate - Right	1
25	70.3474.3.094	Metal Plate - Left	1

* EXTRA PARTS

** PICK STITCH

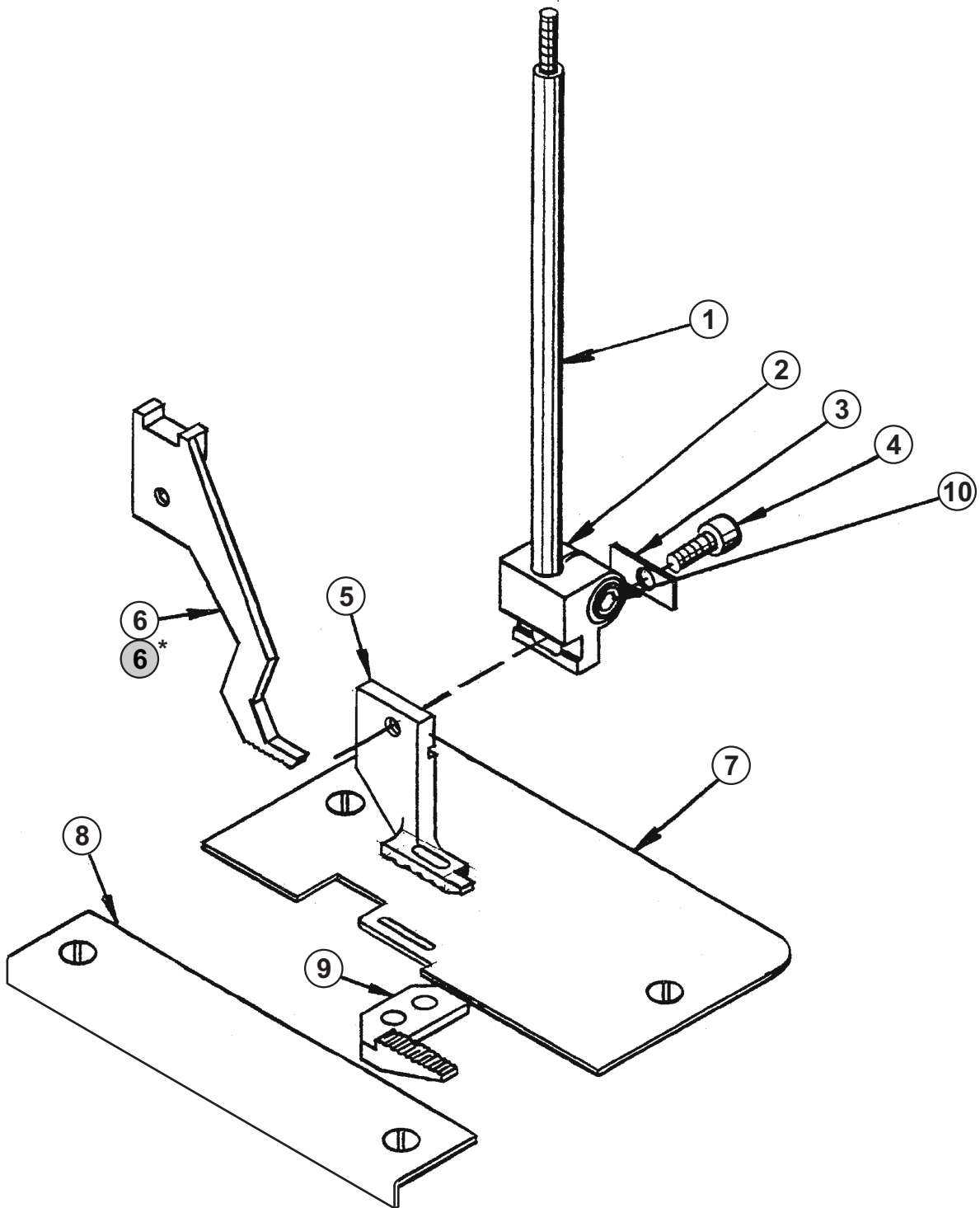
PRESSER FOOT & SWIVEL TOE ASSEMBLY - BENDER PLATE



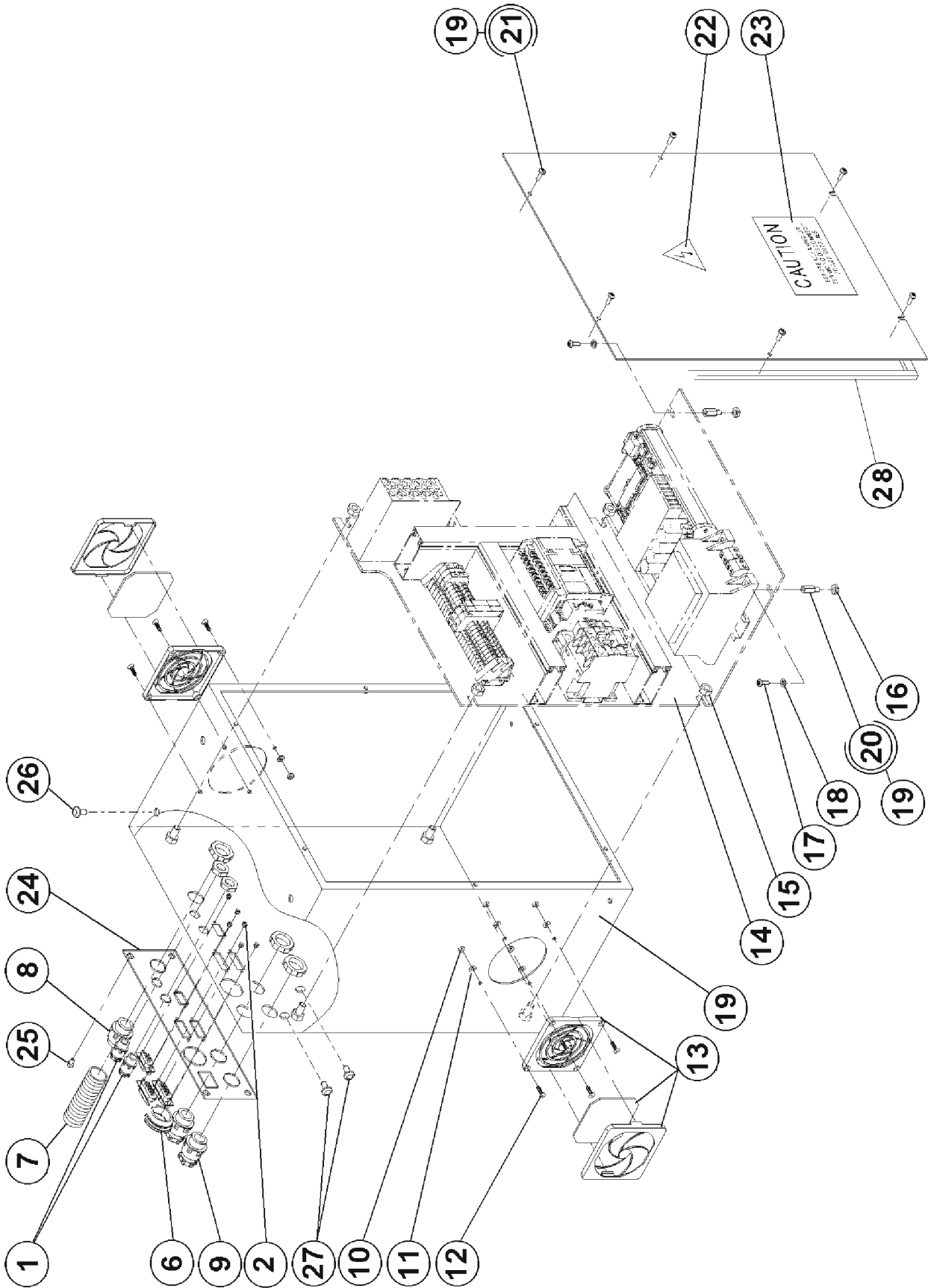
PRESSER FOOT & SWIVEL TOE ASSEMBLY - BENDER PLATE

DET	PART NUMBER	DESCRIPTION	QTY
01	31772035	Stationary Presser Foot Shaft	1
02	35511080	Toe Holder	1
03	32215003	Holder Washer	1
04	01000301	Screw #6-40 x 5/16	1
05	31413003	Pin Sleeve	1
06	34264012	Material Guide Nut	1
07	35414016	Material Guide Brackett	1
08	34658001	Material Guide	1
09	34458002	Material Guide	1
10	35511079	Swievel Toe	1
11	32631001	Swievel Toe Stop	1
12	36615007	Presser Foot	1
13	31685012	Hinge Pin	1
14	36531018	Plunger Spring	1
15	70.3661.1.042	Follower Presser Foot	1
16	32764006	Throat Plate	1
17	32732021	Throat Plate Left	1
18	70.3661.1.037	Material Feeder	1
19	01000004	Scr., Hex. Soc.Hd. Cap # 5 - 40 x 1/4	3
20	01000002	Scr., Hex. Soc.Hd. Cap # 8 - 32 x 3/8	1
21	06000020	Nut. Hex # 4 - 48	1
22	22965005	Ball, Steel # 5/32 Dia.	1

PRESSER FOOT



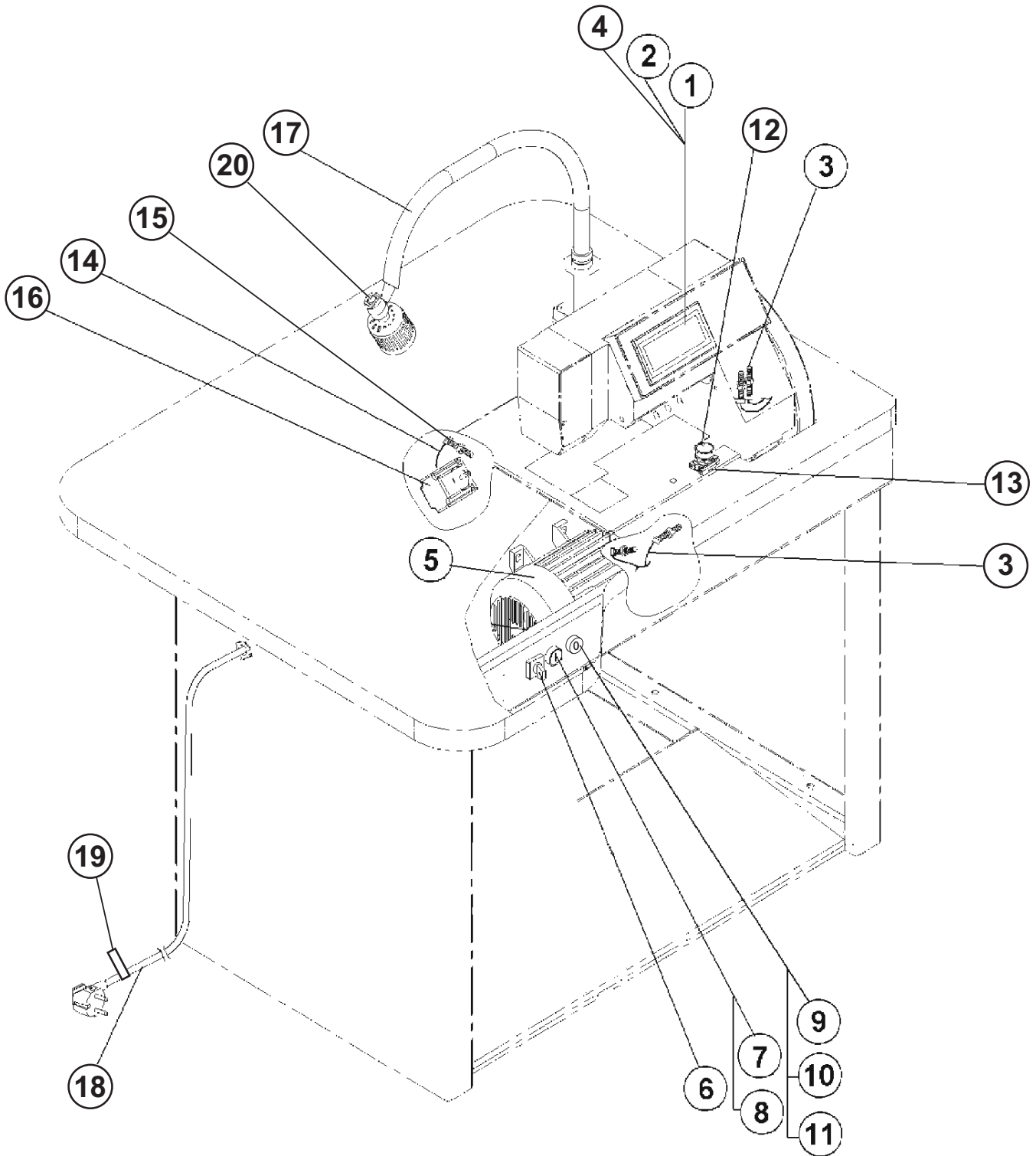
ELECTRICAL - I



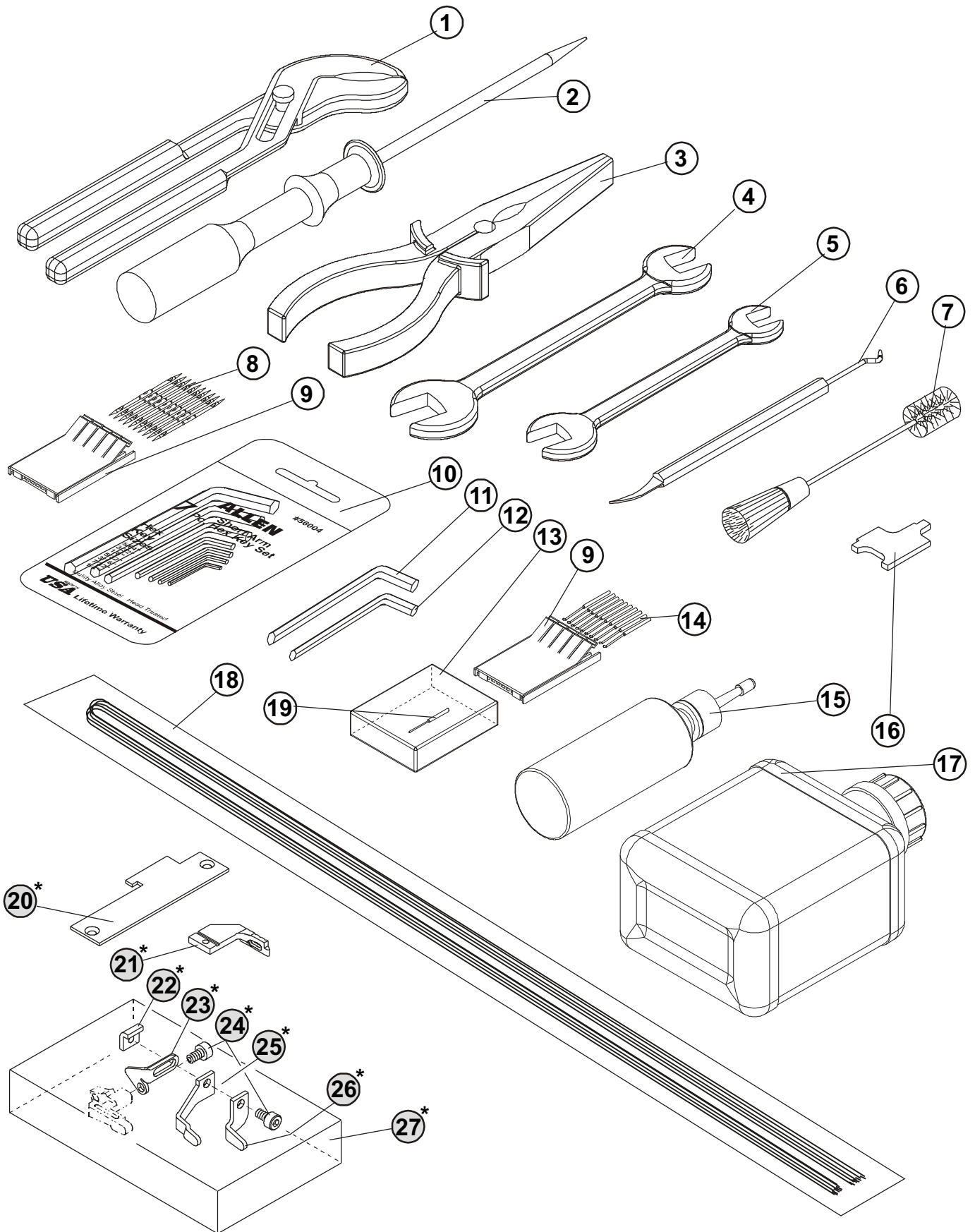
ELECTRICAL - I

DET	PART NUMBER	DESCRIPTION	QTY
01	12.0008.4.207	Bushing ●●●	2
02	12.0008.4.710	Screw	6
06	12.0008.4.366	Plug ●●●	1
07	12.0008.4.783	Tube ●●●	1
08	12.0008.4.795	Bushing ●●●	1
09	12.0008.4.231	Bushing ●●●	2
10	08.6700.4.000	Nut	8
11	08.6800.4.000	Washer	8
12	08.6100.4.014	Screw	8
13	12.0008.4.472	Fan ●●●	2
14	70.4165.1.097	Plate	1
15	08.6702.8.000	Nut	4
16	08.6702.5.000	Nut	2
17	08.6032.5.010	Screw	2
18	08.6852.5.000	Washer	2
19	70.4165.1.125	Control Box	1
20	-	Part of Assembly 70.4165.1.096	(2)
21	-	Part of Assembly 70.4165.1.096	(6)
22	12.0008.4.378	Label	1
23	00.2751.3.602	Label Caution	1
24	70.4165.1.124	Connectors Plate	1
25	08.6100.4.008	Screw	4
26	12.0008.4.215	Plug	2
27	12.0008.4.216	Plug	2
28	70.4165.1.126	Gasket	1

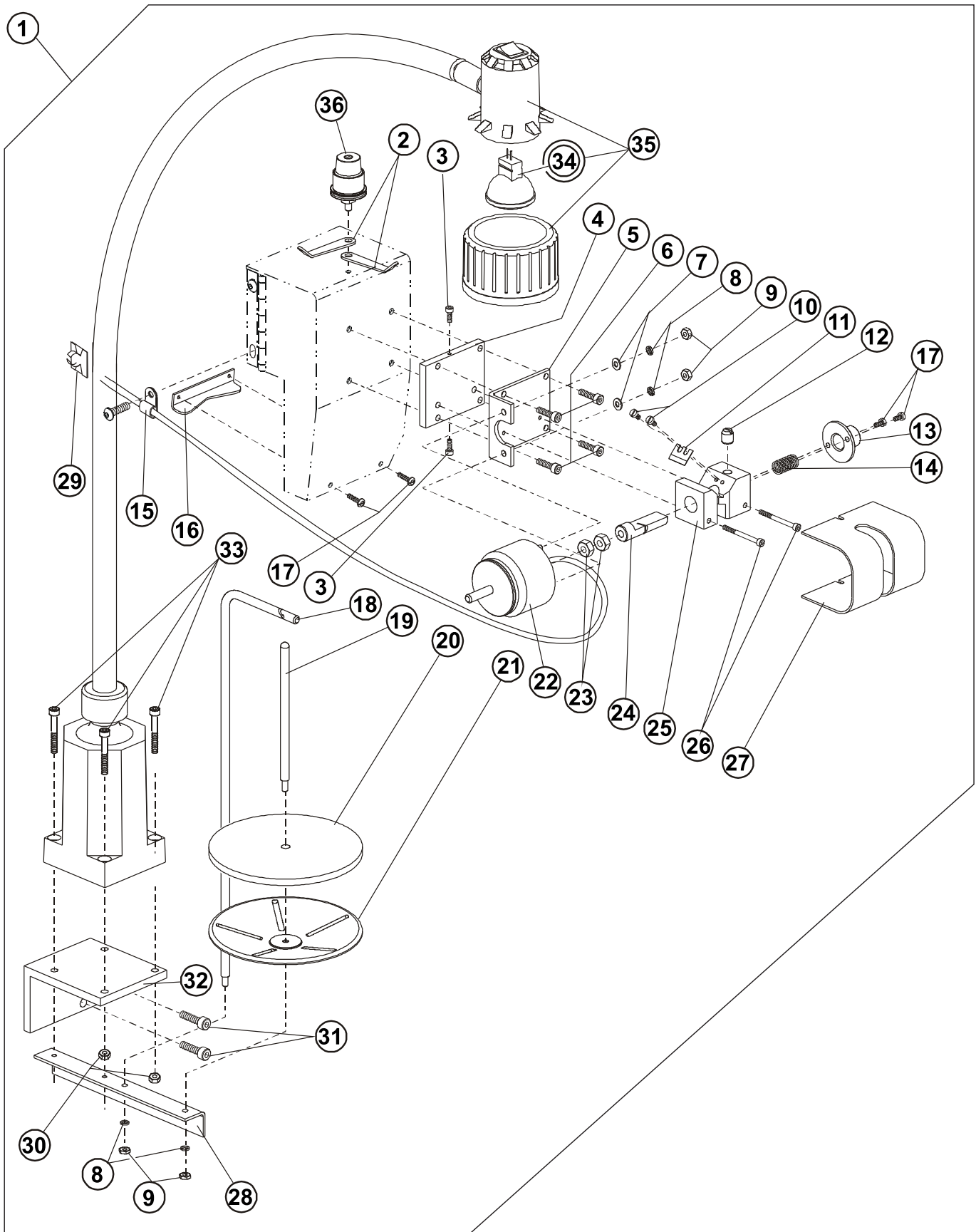
ELECTRICAL - III



ACCESSORIES



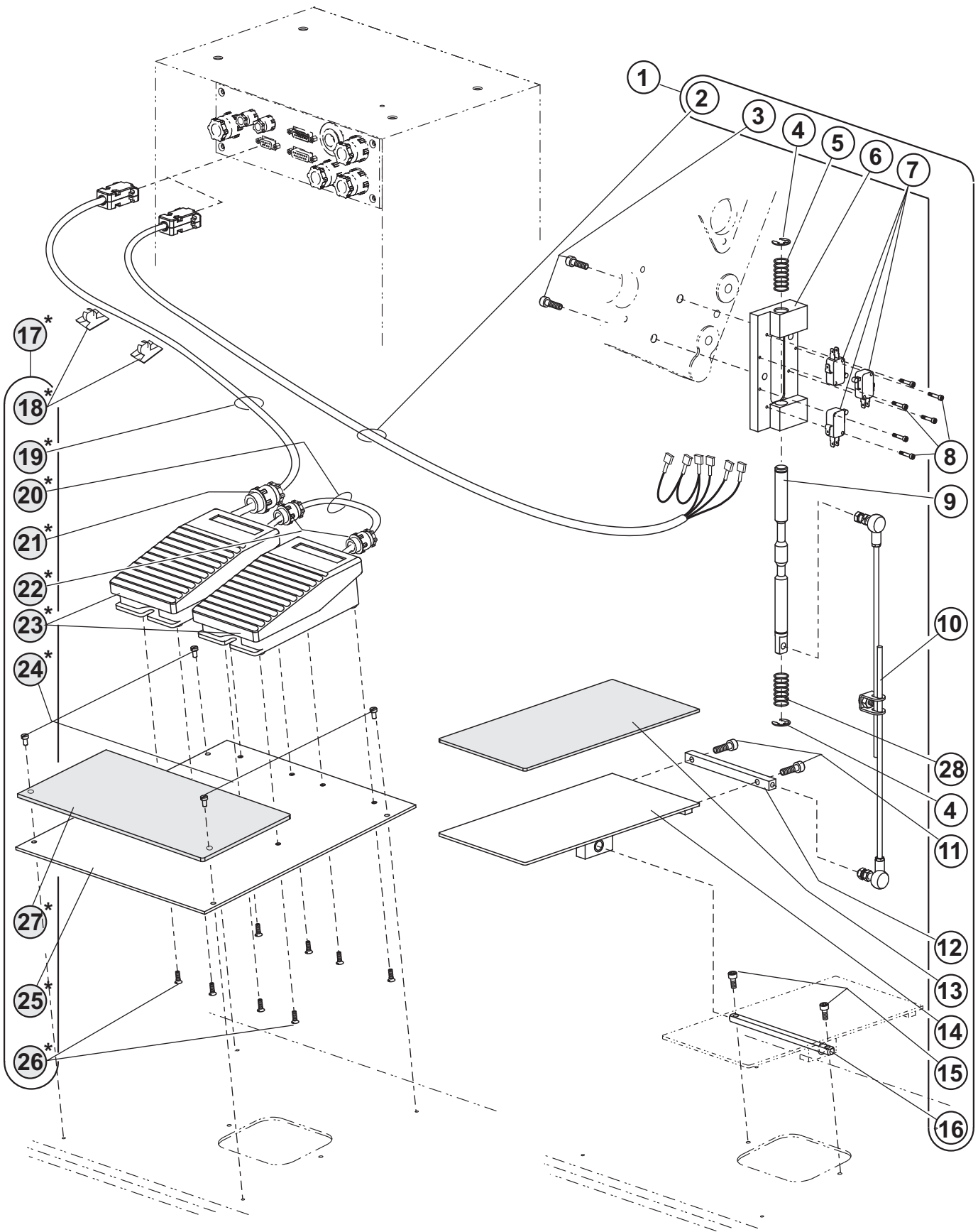
THREAD TRIM



THREAD TRIM

DET	PART NUMBER	DESCRIPTION	QTY
01	03.5570.0.012	Thread Trim ATT	1
02	70.3288.2.101	Thread Guide	(2)
03	08.6000.3.008	Screw M3x8	(2)
04	70.3288.2.401	Plate	(1)
05	70.3288.3.601	Solenoid Holder	(1)
06	08.6000.4.015	Screw M4x15	(4)
07	08.6852.4.000	Washer 4,3	(2)
08	08.6802.4.000	Spring Washer 4,1	(4)
09	08.6702.4.000	Nut M4	(4)
10	08.6012.3.006	Screw	(2)
11	39.0087.0.000	Blade	(1)
12	19.0011.1.400	Screw M8x1-10	(1)
13	70.3284.4.101	Flange	(1)
14	12.3010.0.013	Spring	(1)
15	12.0008.4.280	Plasting Cable Fitting	(1)
16	70.3288.2.102	Thread Guide	(1)
17	08.6200.3.008	Screw M3x8	(4)
18	70.3288.2.103	Thread Guide	(1)
19	17.0031.3.277	Pin ●●●	(1)
20	17.0095.3.042	Washer Pad	(1)
21	17.0083.9.031	Plate	(1)
22	70.4165.1.129	Solenoid DC	(1)
23	08.6710.6.000	Nut M6	(2)
24	70.3283.2.601	Cutting Bar	(1)
25	70.3286.4.501	Block	(1)
26	08.6000.3.025	Screw M3x25	(2)
27	70.3288.2.104	Cover	(1)
28	70.3288.3.602	Holder	(1)
29	12.0008.4.862	Clips - Metal	(3)
30	08.6702.4.000	Nut M4	(2)
31	01200028	Screw 1/4 - 20 x 3/4 ●	(2)
32	31852010	Alex Light Holder	(1)
33	08.6000.4.025	Screw M4x25	(4)
34	12.0008.4.403	Halogen Lamp Kit	(1)
35	12.0008.4.679	Bulb 12V/12W	(1)
36	24.0119.0.050	Tension Disk Assembly	(1)

FOOT PEDAL



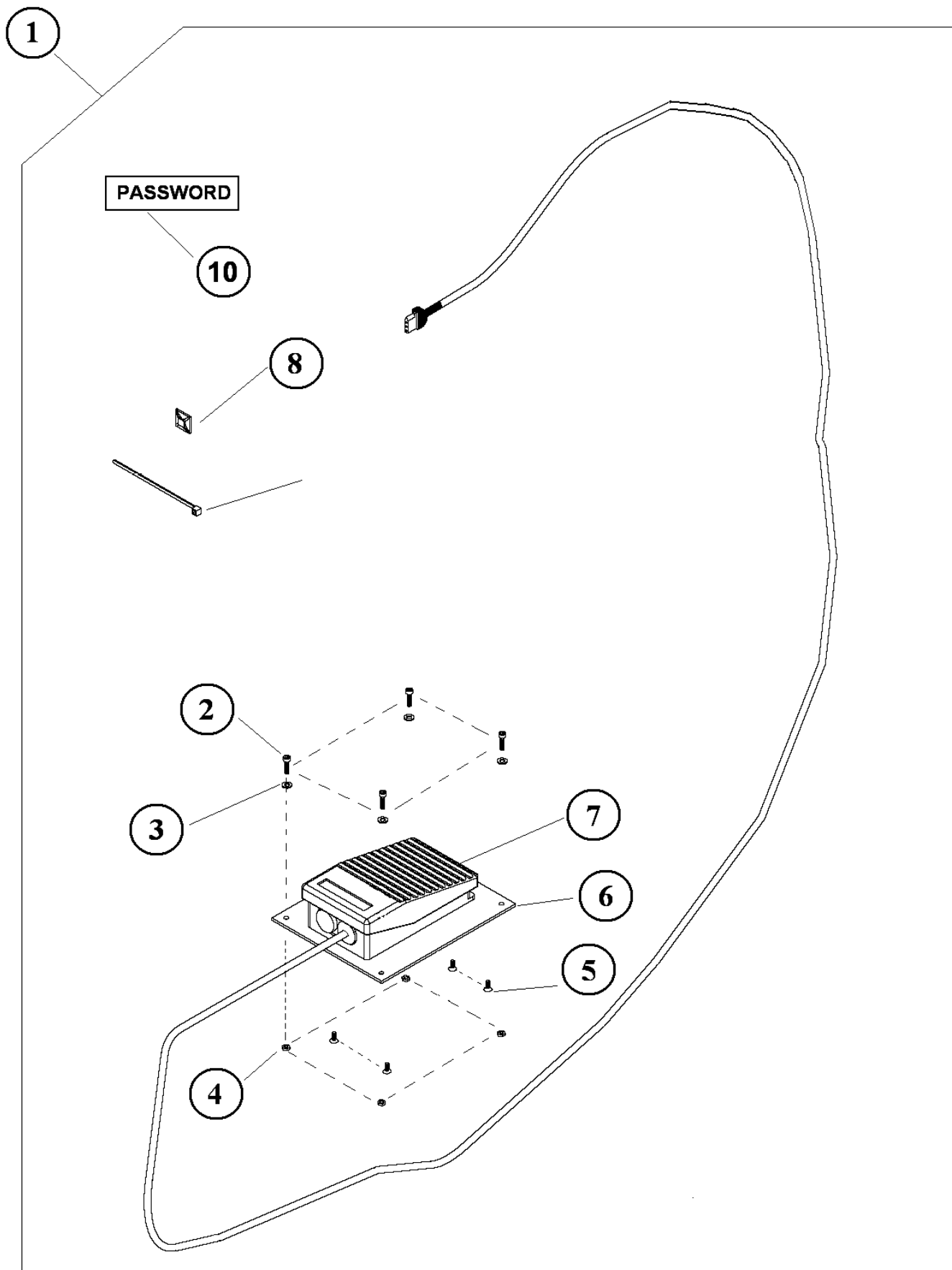
FOOT PEDAL

DET	PART NUMBER	DESCRIPTION	QTY
01	03.5570.0.011	Foot Switch Assembly	1
02	70.4165.1.114	Cable	(1)
03	08.6000.6.018	Screw M6x18	(2)
04	07.6760.0.000	Retaining Ring	(2)
05	07.6440.0.014	Spring	(1)
06	70.3532.8.075	Mount ●●●	(1)
07	06.0120.0.000	Switch	(1)
08	08.6000.3.016	Screw M3x16	(6)
09	70.3532.8.076	Actuator ●	(1)
10	04.1956.1.000	Pitman Rod Bal	(1)
11	01000019	Screw	(2)
12	70.3532.8.077	Lever	(1)
13	32115005	Foot Pedal Tread ●●●	(1)
14	36617003	Pedal	(1)
15	08.6000.5.012	Screw M5x12	(2)
16	31225015	Shaft	(1)
17*	03.5570.0.014	Foot Switch Assembly	1*
18*	12.0008.4.862	Clips - Metal	(2)*
19*	70.4165.1.115	Cable	(1)*
20*	70.4165.1.116	Cable	(1)*
21*	12.0008.4.240	Bushing	(1)*
22*	12.0008.4.231	Bushing	(2)*
23*	12.0008.4.204	Pedal	(2)*
24*	08.6012.4.010	Screw M4x10	(4)*
25*	70.3532.8.073	Plate	(1)*
26*	08.6100.4.014	Screw M4x14	(8)*
27*	—	Foot Pedal Tread ●●●	(1)*
28	12.3010.0.034	Spring	(1)

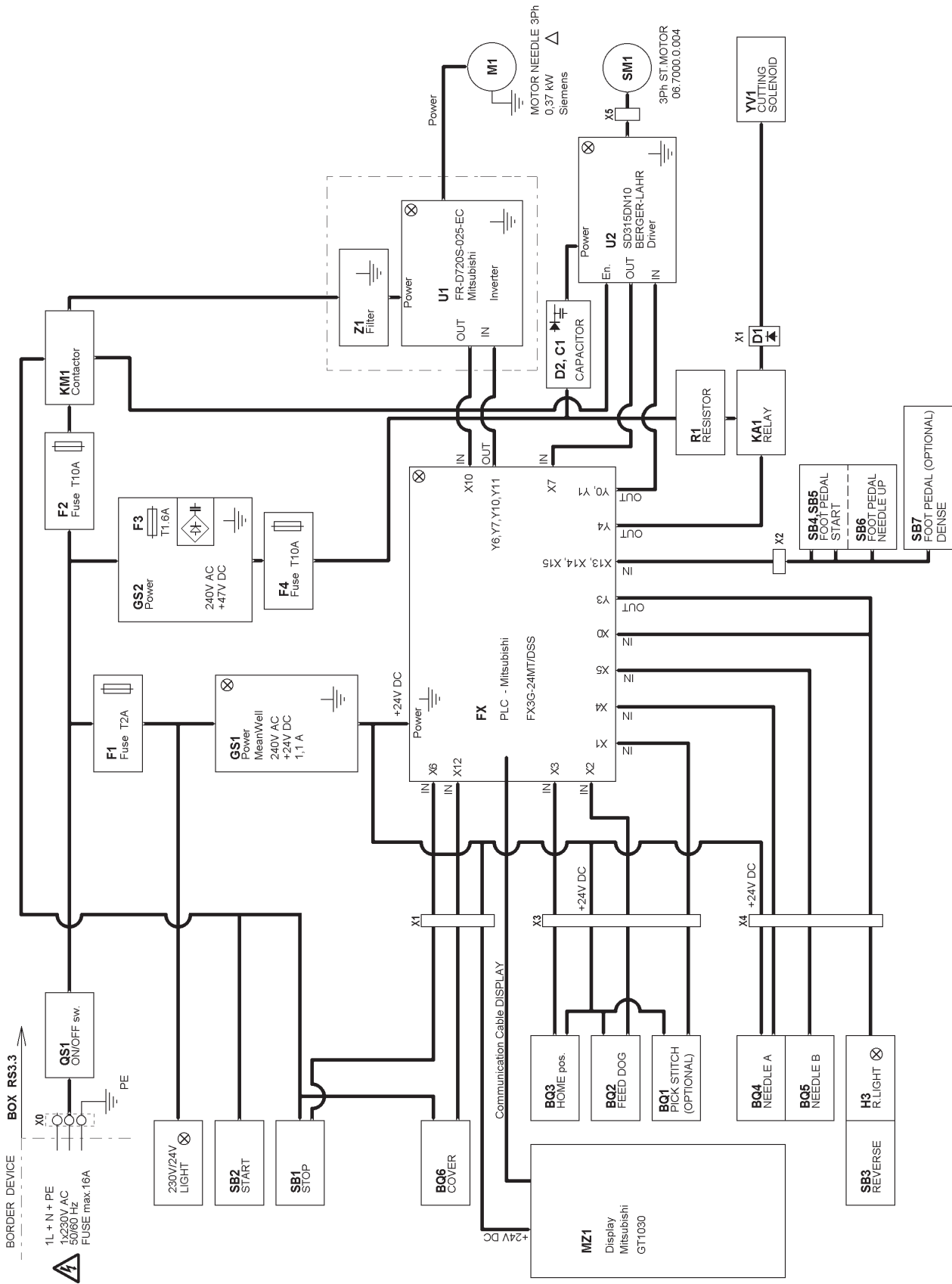
*

— Extra Parts

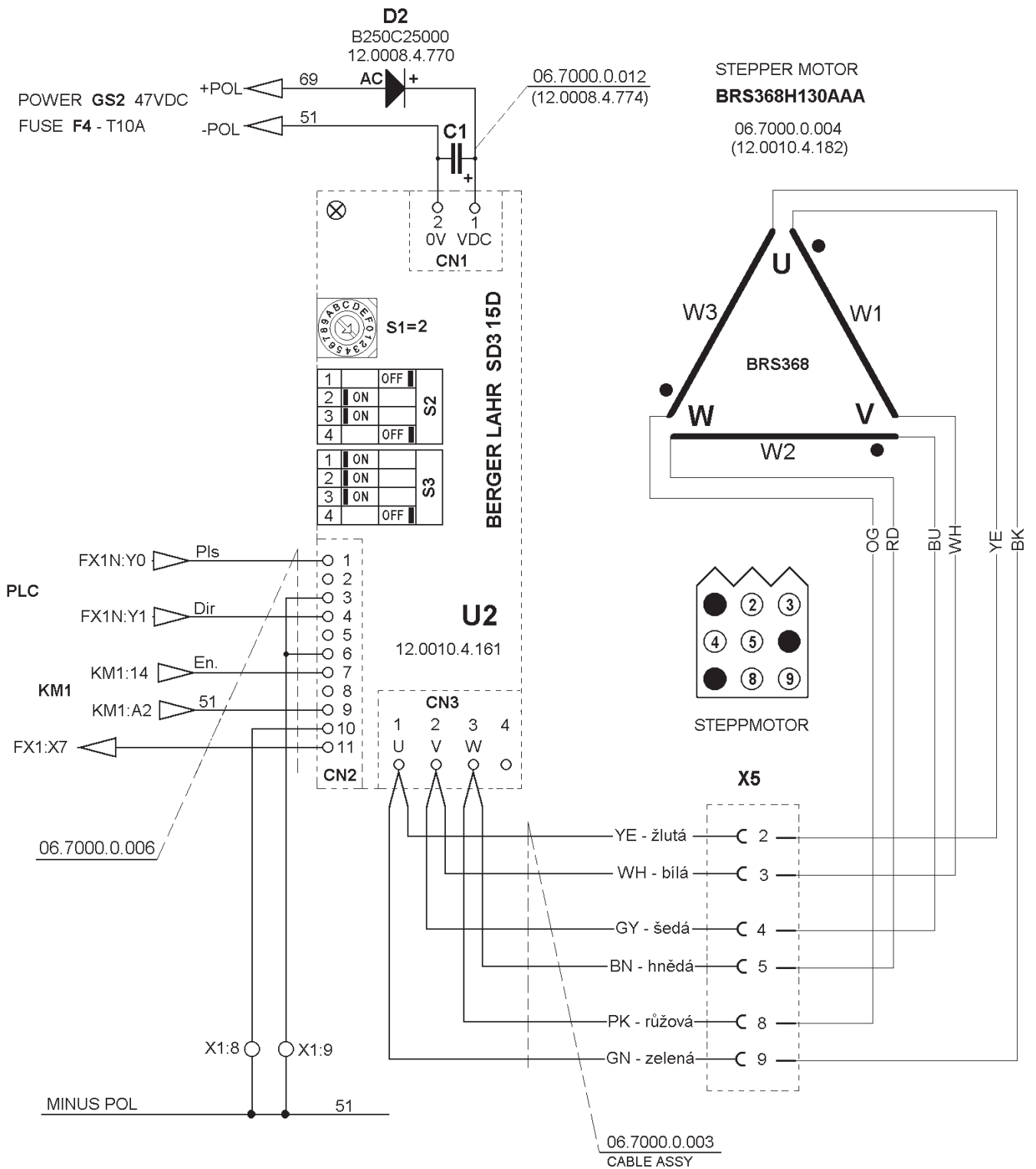
CONDENSED STITCH KIT



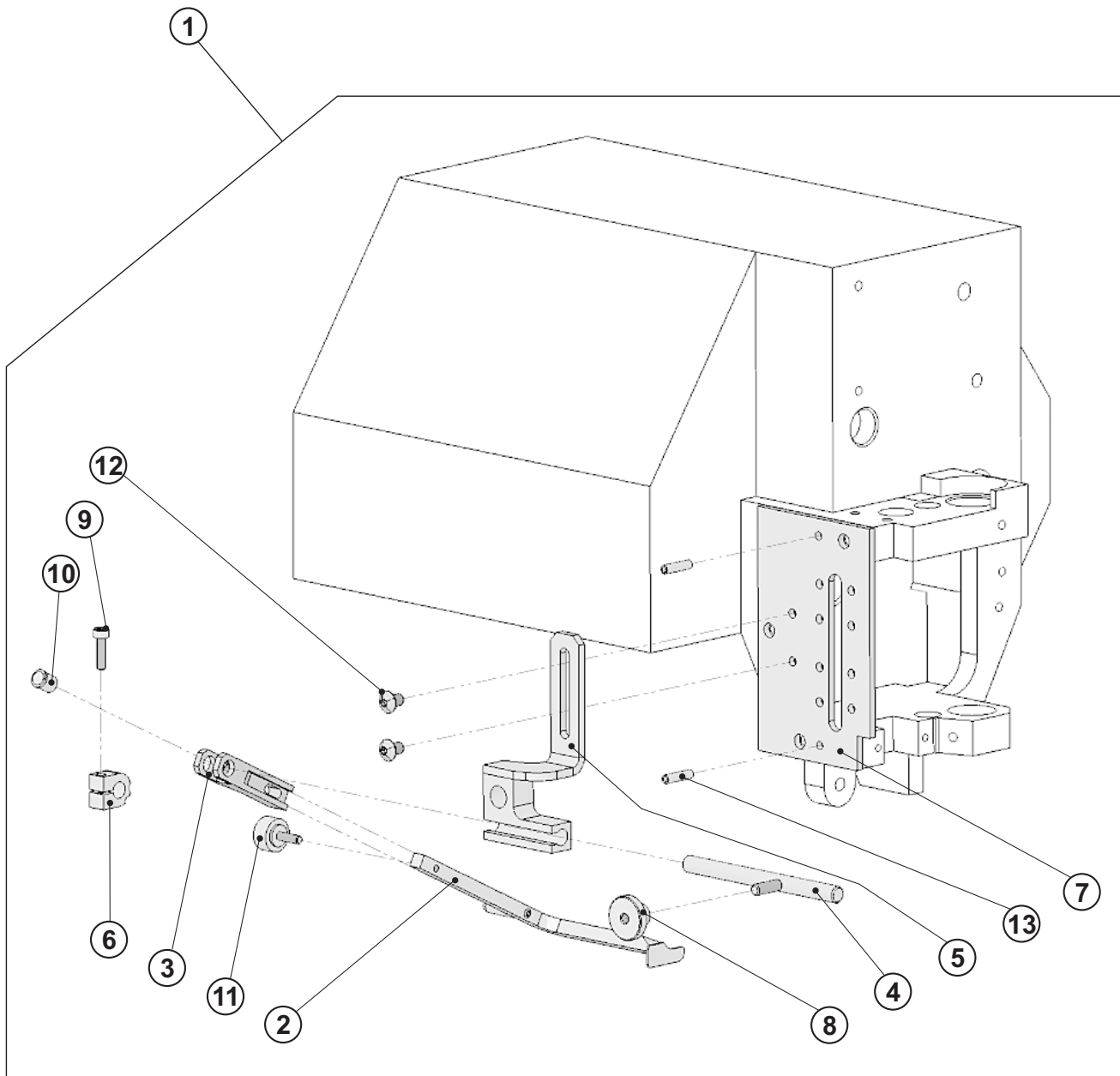
ELECTRICAL DIAGRAM



ELECTRICAL DIAGRAM



MATERIAL GAUGE



INDEX

PART NUMBER	PAGE	DET	QTY	PART NUMBER	PAGE	DET	QTY	PART NUMBER	PAGE	DET	QTY
8200025	3-65	13	(2)	31264001	3-9	25	1	31766009	3-7	2	1
22911037	3-23	19	2	31264001	3-17	12	3	31772035	3-13	28	1
22911038	3-3	34	1	31288023	3-25	25	3	31773015	3-9	15	1
22912058	3-23	23	2	31412001	3-9	32	1	31773015	3-17	2	1
22965006	3-9	37	2	31412001	3-17	24	1	31781006	3-19	27	1
22965006	3-17	45	2	31413029	3-25	51	2	31838013	3-19	40	2
22967003	3-21	67	1	31413030	3-19	19	1	31838014	3-21	83	2
22972010	3-3	29	1	31413031	3-25	7	1	31838030	3-7	7	3
23132056	3-25	91	(2)	31423006	3-15	83	2	31845002	3-19	4	1
23132123	3-15	54	2	31423032	3-21	84	1	31852010	3-5	90	1
23132142	3-25	72	2	31423068	3-25	21	1	31852010	3-57	32	(1)
23132178	3-15	56	1	31426015	3-27	10	1	31873013	3-13	36	1
23132199	3-15	57	1	31464002	3-19	2	1	31876011	3-13	39	1
23132297	3-15	71	1	31521001	3-13	29	1	31996006	3-9	18	1
23161063	3-7	34	1	31523037	3-7	3	1	32111012	3-13	5	1
23161073	3-21	66	1	31566008	3-9	7	1	32115005	3-59	13	(1)
23161095	3-21	77	(2)	31566008	3-17	18	1	32121004	3-25	50	2
23161140	3-7	24	2	31571002	3-13	22	1	32216086	3-3	11	1
23231030	3-17	33	1	31572004	3-19	32	1	32217002	3-13	23	1
23231040	3-27	37	1	31593007	3-9	33	1	32221007	3-13	44	4
23231040	3-31	37	1	31593007	3-17	23	1	32223045	3-17	11	1
23231210	3-21	54	1	31611010	3-25	10	1	32241004	3-19	39	1
23231217	3-21	52	2	31611064	3-27	27	1	32434001	3-25	2	1
23231226	3-27	38	2	31611064	3-31	27	1	32533076	3-19	1	2
23231226	3-31	38	2	31612045	3-27	23	3	32643073	3-27	16	1
23522009	3-5	60	1	31612051	3-19	20	1	32652015	3-7	6	1
23914009	3-21	60	1	31641010	3-25	29	1	32691001	3-27	5	2
24116150	3-7	25	1	31641015	3-25	13	1	32729001	3-13	41	1
24117012	3-23	21	1	31641017	3-37	36	1	32732001	3-13	42	1
24117014	3-15	60	1	31641019	3-25	14	1	33182005	3-9	23	1
24117520	3-9	38	1	31642007	3-13	34	1	33182005	3-17	21	1
24323130	3-5	63	1	31652001	3-7	13	1	33215069	3-9	17	1
24383030	3-5	73	1	31674025	3-9	1	1	33242002	3-13	24	1
24423030	3-5	64	1	31674025	3-17	26	1	33244009	3-25	9	1
24473076	3-5	72	1	31695011	3-9	2	1	33252029	3-27	15	1
25379218	3-25	63	1	31695011	3-17	27	1	33256011	3-13	38	1
26913025	3-15	66	1	31697003	3-9	29	1	33257001	3-25	1	1
31000008	3-23	4	1	31697003	3-17	10	1	33258075	3-27	17	1
31000009	3-27	11	1	31715005	3-19	3	1	33334012	3-25	31	1
31000030	3-5	101	1	31718025	3-19	18	1	33422001	3-13	37	1
31000031	3-5	102	1	31718027	3-13	32	1	33441002	3-17	15	1
31111009	3-9	30	1	31721022	3-27	18	1	33441003	3-9	28	1
31111009	3-17	17	1	31721038	3-13	18	1	34111085	3-19	14	2
31112002	3-25	47	2	31721040	3-13	15	1	34125140	3-5	61	1
31133018	3-13	13	1	31721053	3-19	24	1	34221010	3-13	27	1
31151001	3-9	27	1	31721054	3-19	26	1	34264012	3-55	22*	1
31151001	3-17	14	1	31723007	3-9	9	1	34268125	3-5	53	1
31215008	3-25	28	1	31723007	3-17	5	1	34372004	3-19	16	1
31215012	3-27	20	1	31734013	3-23	1	1	34372042	3-27	6	1
31225015	3-59	16	(1)	31751004	3-23	7	1	34585001	3-19	34	1

INDEX

PART NUMBER	PAGE	DET	QTY	PART NUMBER	PAGE	DET	QTY	PART NUMBER	PAGE	DET	QTY
34647001	3-19	13	1	36515013	3-23	10	1	37211018	3-19	37	1
34732023	3-13	43	1	36515032	3-7	17	1	37211131	3-27	26	1
34732023	3-65	7	(1)	36516014	3-23	6	1	37211131	3-31	26	1
35131002	3-9	24	1	36516040	3-7	10	1	37213001	3-9	19	1
35131002	3-17	9	1	36518027	3-27	3	1	37711017	3-3	5	1
35315013	3-3	4	1	36518029	3-19	35	1	41214006	3-3	18	2
35351180	3-3	13**	1**	36518030	3-9	21	1	41321019	3-3	2	1
35371003	3-3	3	1	36518030	3-17	7	1	41441060	3-3	12	1
35371004	3-19	47	1	36518077	3-13	6	1	41831082	3-19	28	1
35472011	3-3	20	1	36523021	3-17	25	1	42531081	3-9	10	1
35511021	3-9	8	1	36523022	3-9	26	1	42531081	3-17	1	1
35511021	3-17	16	1	36523022	3-17	13	1	00.2751.3.602	3-49	23	1
35511045	3-27	1	1	36531010	3-9	5	1	00103228	3-9	20*	1*
35511048	3-9	08**	1**	36531010	3-17	20	1	00103228	3-17	08*	1
35511048	3-17	16**	1**	36532021	3-9	3	1	00103238	3-9	20	1
35511081	3-9	08*	1*	36532021	3-17	28	1	00103238	3-17	8	1
35511081	3-17	16*	1*	36532022	3-9	4	1	00103238	3-55	8	11
35521048	3-9	13	1	36532022	3-17	29	1	00103249	3-9	20**	1**
35521048	3-17	3	1	36532025	3-25	24	1	00103249	3-17	08**	1
35521049	3-17	6	1	36541005	3-13	40	2	01.2548.0.000	3-23	18	1
35521055	3-13	11	1	36542017	3-19	15	1	01.7305.0.900	3-25	59	(2)
35523026	3-5	65	1	36542018	3-27	2	1	01.7435.1.000	3-35	68	2
35526005	3-27	4	1	36543018	3-13	8	1	01000002	3-21	93	2
35541070	3-19	48	1	36543019	3-19	38	1	01000002	3-25	65	2
35542007	3-27	9	1	36543020	3-13	30	1	01000002	3-45	20	1
35551002	3-25	3	1	36546023	3-9	34	1	01000002	3-47	10	1
35561001	3-19	9	1	36613036	3-13	31	1	01000004	3-15	74	2
35571021	3-13	35	1	36613038	3-25	22	1	01000004	3-45	19	3
35633040	3-19	22	1	36617003	3-59	14	(1)	01000005	3-27	39	1
35633041	3-19	30	1	36619044	3-13	20	1	01000005	3-31	39	1
35771051	3-13	45	1	36621001	3-13	25	2	01000008	3-15	62	3
35778014	3-19	17	1	36631031	3-9	16	1	01000010	3-21	65	2
35812048	3-19	29	1	36647001	3-25	27	1	01000013	3-11	48	1
35812049	3-7	1	1	36651001	3-13	2	1	01000013	3-15	77	1
35815007	3-27	24	1	36651002	3-13	7	1	01000013	3-17	44	1
35815007	3-31	24	1	36651008	3-19	6	1	01000013	3-35	73	2
36221009	3-27	13	1	36653010	3-19	31	1	01000017	3-35	75	1
36221009	3-31	13	1	36661001	3-25	4	1	01000019	3-35	53	1
36223009	3-23	8	1	36672047	3-13	26	1	01000019	3-59	11	(2)
36224010	3-7	4	2	36673028	3-25	26	1	01000021	3-17	40	1
36226017	3-7	15	1	36677016	3-27	19	1	01000025	3-7	26	1
36227019	3-13	3	1	36691014	3-9	12	1	01000025	3-37	34	1
36228009	3-7	16	1	36691014	3-17	4	1	01000026	3-21	53	4
36228020	3-7	5	1	36691021	3-27	21	1	01000026	3-35	79	1
36271006	3-19	7	1	36713007	3-7	11	1	01000027	3-27	49	1
36271013	3-7	44	1	36771021	3-9	6	1	01000032	3-15	79	3
36271013	3-13	4	1	36771021	3-17	19	1	01000032	3-37	29	2
36341050	3-19	36	1	36773007	3-15	82	1	01000032	3-43	14	(2)
36513046	3-23	5	1	36773008	3-15	61	1	01000037	3-25	69	2
36514046	3-23	9	1	37112030	3-19	46	(2)	01000037	3-41	59	1

INDEX

PART NUMBER	PAGE	DET	QTY	PART NUMBER	PAGE	DET	QTY	PART NUMBER	PAGE	DET	QTY
0100039	3-9	44	3	03100012	3-25	67	1	04120012	3-31	54	1
0100039	3-17	35	5	03100012	3-35	57	1	04120070	3-43	16	2
0100047	3-3	23	2	03100013	3-21	55	1	04122093	3-15	80	8
0100047	3-25	60	2	03100013	3-33	49	2	04140040	3-3	36	6
0100047	3-27	42	1	03100017	3-15	65	1	04200003	3-3	30	6
0100047	3-31	42	1	03100038	3-29	53	1	04200003	3-7	27	4
0100056	3-35	84	4	03100038	3-31	53	1	04200004	3-3	43	5
0100058	3-27	32	1	03100051	3-35	52	3	04200007	3-15	55	1
0100058	3-31	32	1	03100066	3-17	32	2	04200011	3-9	35	1
0100059	3-15	68	1	03100066	3-25	70	2	04200011	3-35	64	1
0100059	3-35	56	1	03100147	3-29	56	1	04200012	3-7	36	1
0100059	3-55	24*	2	03100147	3-31	56	1	04200012	3-21	85	1
0100093	3-39	42	1	03100154	3-27	44	2	04200013	3-7	35	1
0100099	3-7	29	1	03100154	3-31	44	1	04200027	3-3	41	2
01000298	3-9	40	1	03101038	3-27	50	1	04200027	3-21	56	11+(1)
01000301	3-15	73	1	03102026	3-27	45	1	04200030	3-33	50	1
01000301	3-45	4	1	03102026	3-33	47	1	04200031	3-21	59	3
01000301	3-47	4	1	03102026	3-35	85	1	04200039	3-15	76	1
01002014	3-41	57	1	03130001	3-11	49	2	04200039	3-27	48	1
01002015	3-21	71	1	03130001	3-17	41	2	04200046	3-35	80	1
01002015	3-27	43	2	03140003	3-25	74	1	04200051	3-21	79	4
01002040	3-7	31	1	03140005	3-37	27	1	04200267	3-7	37	1
01200001	3-7	28	2	03140006	3-41	63	1	04202013	3-21	63	2
01200005	3-7	22	2	03200023	3-7	33	1	05.0090.1.000	3-55	17	1
01200007	3-9	39	1	04.1956.1.000	3-59	10	(1)	05.1322.0.000	3-55	15	1
01200011	3-21	72	2	04.9070.0.000	3-3	1	1	06.0120.0.000	3-59	7	(1)
01200011	3-21	89	2	04000020	3-21	74	2	06.7000.0.000	3-53	14	1
01200011	3-65	12	(2)	04000053	3-15	70	1	06.7000.0.004	3-53	16	1
01200019	3-21	81	1	04000190	3-41	54	1	06.7000.0.005	3-51	13	1
01200024	3-3	21	3	04002086	3-43	18	2	06.7000.0.010	3-53	4	1
01200024	3-3	39	2	04002086	3-43	18**	4	06.7000.0.012	3-51	22	1
01200028	3-57	31	(2)	04002087	3-43	19	2	06000002	3-15	72	4
01200031	3-43	21	2	04002109	3-43	17	4	06000002	3-21	82	1
01200083	3-7	38	1	04100011	3-21	61	1	06000002	3-25	58	2
01300029	3-39	45	1	04100052	3-5	52	2	06000002	3-35	63	1
01300037	3-39	41	1	04100053	3-21	62	4	06000003	3-31	33	1
03.0018.0.000	3-55	5	1	04100054	3-7	21	2	06000004	3-21	64	3
03.5570.0.011	3-59	1	1	04100054	3-15	81	2	06000005	3-35	65	1
03.5570.0.012	3-57	1	1	04100054	3-25	83	1	06000014	3-5	59	2
03.5570.0.013	3-61	1	1	04100054	3-41	51	2	06000014	3-35	74	2
03.5570.0.014	3-59	17*	1*	04100070	3-15	50	1	06000020	3-45	21	1
03.5570.0.016	3-65	1	1	04120001	3-15	75	1	06002001	3-9	43	1
03.5570.0.017	3-43	22*	1	04120001	3-29	55	2	06002001	3-17	46	1
03100002	3-37	21	1	04120001	3-31	55	2	06020004	3-35	58	1
03100008	3-9	42	1	04120002	3-27	35	1	06020015	3-3	22	3
03100008	3-29	59	1	04120002	3-31	35	1	06020019	3-11	50	2
03100008	3-31	59	1	04120004	3-29	58	1	06020019	3-17	43	2
03100012	3-15	63	1	04120004	3-31	58	1	06020019	3-21	73	4
03100012	3-21	80	1	04120009	3-15	78	1	06020019	3-21	90	2
03100012	3-23	17	2	04120012	3-29	54	1	06020021	3-35	59	1

INDEX

PART NUMBER	PAGE	DET	QTY	PART NUMBER	PAGE	DET	QTY	PART NUMBER	PAGE	DET	QTY
06030014	3-21	58	1	08.6000.5.012	3-59	15	(2)	08000044	3-27	40	2
06104001	3-11	46	1	08.6000.6.018	3-59	3	(2)	08000044	3-31	40	1
06104001	3-17	34	1	08.6012.3.006	3-57	10	(2)	08000044	3-35	71	1
06124010	3-37	31	2	08.6012.4.010	3-59	24*	(4)*	08000109	3-25	57	1
06130002	3-37	28	2	08.6032.5.010	3-49	17	2	08000110	3-25	73	1
06220001	3-39	50	1	08.6100.4.008	3-49	25	4	08002028	3-17	37	1
07.6440.0.014	3-59	5	(1)	08.6100.4.014	3-49	12	8	08200024	3-3	40	2
07.6440.0.050	3-19	25	1	08.6100.4.014	3-59	26*	(8)*	08200025	3-41	61	2
07.6760.0.000	3-59	4	(2)	08.6132.4.010	3-61	5	(4)	08200031	3-7	23	1
07002002	3-29	51	2	08.6200.3.005	3-11	58	4	08322001	3-37	24	1
07002009	3-21	57	1	08.6200.3.008	3-57	17	(4)	08504001	3-27	34	2
07012001	3-23	20	2	08.6200.4.010	3-3	8	4	08504001	3-31	34	2
07012001	3-27	36	2	08.6400.4.005	3-29	61	1	09020001	3-15	59	1
07012001	3-31	36	1	08.6400.4.005	3-31	61	0	09020001	3-21	51	1
07012001	3-35	55	2	08.6400.4.005	3-39	4	1	09020001	3-23	15	2
07012001	3-37	30	2	08.6400.4.006	3-7	46	1	09020001	3-35	66	1
07012001	3-43	15	(2)	08.6400.4.008	3-7	43	1	12.0008.3.244	3-31	30	1
07012002	3-25	68	2	08.6400.4.008	3-35	86	3	12.0008.4.050	3-51	10	1
07012002	3-37	22	1	08.6663.5.025	3-3	33	12	12.0008.4.058	3-61	8	(8)
07012003	3-35	82	1	08.6700.4.000	3-3	9	2	12.0008.4.064	3-51	5	1
07012004	3-29	52	1	08.6700.4.000	3-49	10	8	12.0008.4.072	3-61	9	(8)
07012005	3-25	61	2	08.6702.4.000	3-57	9	(4)	12.0008.4.204	3-59	23*	(2)*
07012005	3-41	56	1	08.6702.4.000	3-57	30	(2)	12.0008.4.207	3-49	1	2
07012010	3-21	75	3+(1)	08.6702.4.000	3-61	4	(4)	12.0008.4.215	3-49	26	2
07016002	3-29	57	2	08.6702.5.000	3-49	16	2	12.0008.4.216	3-49	27	2
07016002	3-31	57	2	08.6702.8.000	3-49	15	4	12.0008.4.231	3-49	9	2
07100009	3-3	31	4	08.6710.6.000	3-57	23	(2)	12.0008.4.231	3-59	22*	(2)*
07100009	3-7	39	1	08.6800.4.000	3-49	11	8	12.0008.4.240	3-59	21*	(1)*
07100009	3-35	81	1	08.6802.4.000	3-29	63	1	12.0008.4.280	3-57	15	(1)
07100011	3-35	54	2	08.6802.4.000	3-31	63	0	12.0008.4.366	3-49	6	1
07102001	3-27	41	1	08.6802.4.000	3-57	8	(4)	12.0008.4.378	3-49	22	1
07102006	3-37	35	1	08.6850.4.000	3-3	10	6	12.0008.4.403	3-53	17	1
07102007	3-21	94	2	08.6852.0.000	3-3	32	6	12.0008.4.403	3-57	34	(1)
07102007	3-25	62	2	08.6852.4.000	3-29	64	1	12.0008.4.472	3-49	13	2
07102007	3-31	41	1	08.6852.4.000	3-31	64	0	12.0008.4.488	3-51	16	1
07106001	3-39	49	1	08.6852.4.000	3-57	7	(2)	12.0008.4.590	3-53	9	1
08.6000.0.025	3-3	28	4	08.6852.4.000	3-61	3	(4)	12.0008.4.591	3-53	12	1
08.6000.3.008	3-57	3	(2)	08.6852.5.000	3-9	36	1	12.0008.4.592	3-53	13	1
08.6000.3.012	3-65	9	(1)	08.6852.5.000	3-49	18	2	12.0008.4.595	3-21	95	2
08.6000.3.016	3-59	8	(6)	08.6852.6.000	3-33	16	1	12.0008.4.664	3-51	4	2
08.6000.3.025	3-57	26	(2)	08000007	3-25	80	1	12.0008.4.665	3-51	3	1
08.6000.4.008	3-5	79	4	08000007	3-33	40	1	12.0008.4.679	3-53	20	1
08.6000.4.010	3-29	62	1	08000015	3-27	31	1	12.0008.4.679	3-57	35	(1)
08.6000.4.010	3-31	62	0	08000015	3-31	31	1	12.0008.4.709	3-51	9	1
08.6000.4.010	3-35	94	4	08000015	3-37	26	1	12.0008.4.710	3-49	2	6
08.6000.4.012	3-11	51	2	08000016	3-21	69	4	12.0008.4.720	3-51	15	1
08.6000.4.015	3-57	6	(4)	08000017	3-41	58	1	12.0008.4.721	3-51	15	1
08.6000.4.016	3-61	2	(4)	08000019	3-3	42	4	12.0008.4.722	3-51	15	1
08.6000.4.020	3-33	48	2	08000022	3-21	78	2	12.0008.4.723	3-51	15	1
08.6000.4.025	3-57	33	(4)	08000044	3-25	56	2	12.0008.4.751	3-51	11	1

INDEX

PART NUMBER	PAGE	DET	QTY	PART NUMBER	PAGE	DET	QTY	PART NUMBER	PAGE	DET	QTY
12.0008.4.757	3-53	5	1	22966116	3-43	13	(1)	31612052	3-33	19	1
12.0008.4.770	3-51	21	1	22979047	3-55	12	1	31612054	3-35	60	1
12.0008.4.783	3-49	7	1	22979048	3-55	11	1	31613007	3-37	3	1
12.0008.4.795	3-49	8	1	22979050	3-55	10	1	31613035	3-39	31	1
12.0008.4.836	3-53	7	1	23132030	3-9	41	(2)	31644003	3-39	17	1
12.0008.4.837	3-53	8	1	23132115	3-37	32	(1)	31644004	3-33	37	1
12.0008.4.839	3-53	10	1	23132122	3-35	61	3	31685012	3-45	13	1
12.0008.4.842	3-53	11	1	23132155	3-35	78	(1)	31721038	3-37	12	1
12.0008.4.862	3-57	29	(3)	23132165	3-41	60	(1)	31721039	3-11	47	1
12.0008.4.862	3-59	18*	(2)*	23132178	3-39	43	1	31721039	3-33	25	1
12.0008.4.885	3-53	18	1	23161008	3-35	83	(2)	31721041	3-41	64	1
12.0008.6.118	3-55	4	1	23161048	3-35	70	(1)	31722031	3-39	2	1
12.0008.6.119	3-55	3	1	23161073	3-35	51	(6)	31728003	3-33	31	1
12.0008.6.520	3-3	26	4	23181235	3-35	76	1	31741013	3-39	40	1
12.0008.6.523	3-3	24	4	23231030	3-11	45	(1)	31772035	3-45	1	1
12.0008.6.524	3-3	25	4	23231040	3-37	25	1	31772035	3-47	1	1
12.0008.6.901	3-3	37	1	23231045	3-33	23	1	31773013	3-33	6	2
12.0008.6.968	3-55	9	2	23231045	3-39	46	1	31815017	3-39	26	1
12.0008.6.975	3-55	7	1	24.0119.0.050	3-57	36	(1)	31839020	3-37	18	1
12.0008.6.979	3-11	53	1	24117010	3-41	55	1	31852015	3-33	13	1
12.0008.6.xxx	3-55	18	1	24117012	3-35	62	1	31873011	3-37	17	1
12.0010.4.025	3-53	3	4	24117216	3-37	20	1	31881004	3-33	4	1
12.0010.4.093	3-53	15	1	24381054	3-35	92	1	31955003	3-39	16	1
12.0010.4.112	3-53	2	1	24971021	3-41	62	1	32215003	3-45	3	1
12.0010.4.113	3-53	0	1	24971056	3-39	48	1	32215003	3-47	3	1
12.0010.4.161	3-51	20	1	25379273	3-37	33	1	32225017	3-33	21	1
12.0010.4.195	3-51	19	1	26913004	3-55	1	1	32233001	3-43	8	1
12.0010.4.200	3-53	6	1	26913020	3-55	2	1	32428002	3-33	14	1
12.0010.6.200	3-43	23	4	31000006	3-33	36	1	32542111	3-39	18	1
12.1016.0.001	3-5	75	2	31000009	3-31	11	1	32631001	3-45	11	1
12.3010.0.013	3-57	14	(1)	31000018	3-33	44	1	32691001	3-31	5	2
12.3010.0.014	3-11	55	1	31000032	3-37	6	1	32732021	3-45	17	1
12.3010.0.034	3-59	28	(1)	31000033	3-37	7	1	32739004	3-33	11	1
12.3011.0.006	3-39	39	1	31000052	3-43	20	1	32764006	3-45	16	1
12.3013.0.005	3-65	10	(1)	31100035	3-55	21*	1	32769003	3-37	8	1
12.8000.0.112	3-53	19	1	31211015	3-39	12	1	33251105	3-39	10	1
12.8000.0.144	3-61	10	(1)	31215002	3-33	15	1	33258076	3-43	03**	1
12.8000.1.010	3-5	74	1	31215079	3-33	41	1	34264012	3-45	6	1
17.0004.7.253	3-21	86	(1)	31217001	3-33	7	1	34372042	3-31	6	1
17.0011.2.013	3-7	42	2	31268001	3-39	6	1	34378066	3-39	9	1
17.0011.2.013	3-7	47	(2)	31283001	3-37	9	1	34458002	3-45	9	1
17.0017.2.041	3-65	8	(1)	31288023	3-33	17	2	34458002	3-55	26*	1
17.0031.3.277	3-57	19	(1)	31288023	3-37	13	1	34658001	3-45	8	1
17.0083.9.031	3-57	21	(1)	31413001	3-39	27	1	34658001	3-55	25*	1
17.0095.3.042	3-57	20	(1)	31413002	3-39	23	1	34758001	3-37	5	1
19.0011.1.400	3-57	12	(1)	31413003	3-45	5	1	35111007	3-37	1	1
19.0044.1.624	3-7	48	2	31421005	3-33	24	1	35225010	3-33	35	1
19.0044.1.625	3-7	41	2	31426015	3-31	10	1	35411121	3-43	07**	1
22912090	3-35	67	2	31511015	3-33	22	1	35414016	3-45	7	1
22965005	3-45	22	1	31593001	3-39	29	1	35414016	3-55	23*	1

INDEX

PART NUMBER	PAGE	DET	QTY	PART NUMBER	PAGE	DET	QTY	PART NUMBER	PAGE	DET	QTY
35511040	3-39	34	1	70.3165.1.019	3-39	11	0	70.3577.7.042	3-19	8	1
35511045	3-31	1	1	70.3165.2.002	3-5	70	1	70.3577.7.044	3-5	77	1
35511079	3-45	10	1	70.3165.2.002	3-7	40	1	70.3577.7.047	3-5	76	1
35511080	3-45	2	1	70.3165.2.003	3-7	45	1	70.3634.3.063	3-33	32	2
35511080	3-47	2	1	70.3172.1.024	3-13	14	1	70.3651.3.048	3-7	9	1
35521118	3-39	32	1	70.3265.2.016	3-5	67	1	70.3651.8.020	3-27	8	1
35523018	3-33	8	1	70.3265.2.017	3-11	56	1	70.3651.8.020	3-31	8	1
35526005	3-31	4	1	70.3271.1.020	3-3	6	2	70.3651.8.021	3-29	60	1
35542007	3-31	9	1	70.3271.1.023	3-7	49	1	70.3651.8.021	3-31	60	1
36226011	3-33	1	1	70.3271.1.024	3-7	50	1	70.3651.8.022	3-27	7	1
36341035	3-39	21	1	70.3271.1.025	3-11	57	1	70.3651.8.022	3-31	7	1
36344057	3-33	28	1	70.3273.2.023	3-55	20*	1	70.3652.3.023	3-9	31	1
36515020	3-33	29	1	70.3276.4.008	3-47	8	1	70.3652.3.025	3-11	54	1
36518027	3-31	3	1	70.3276.4.009	3-47	7	1	70.3652.3.026	3-11	52	1
36531018	3-45	14	1	70.3282.7.103	3-25	43	1	70.3657.2.009	3-19	41	1
36533015	3-37	16	1	70.3283.2.601	3-57	24	(1)	70.3661.1.037	3-45	18	1
36542018	3-31	2	1	70.3284.4.101	3-57	13	(1)	70.3661.1.041	3-47	9	1
36543022	3-37	10	1	70.3286.4.501	3-57	25	(1)	70.3661.1.042	3-45	15	1
36546022	3-39	37	1	70.3288.2.101	3-57	2	(2)	70.3661.1.043	3-47	06*	1
36546024	3-33	39	1	70.3288.2.102	3-57	16	(1)	70.3661.1.045	3-47	6	1
36613034	3-33	10	1	70.3288.2.103	3-57	18	(1)	70.3661.3.100	3-39	8	1
36615007	3-45	12	1	70.3288.2.104	3-57	27	(1)	70.3662.5.002	3-39	25	1
36667012	3-33	26	1	70.3288.2.401	3-57	4	(1)	70.3664.5.006	3-25	49	1
36674012	3-37	14	1	70.3288.3.601	3-57	5	(1)	70.3664.5.007	3-25	48	1
36678019	3-33	30	1	70.3288.3.602	3-57	28	(1)	70.3669.1.008	3-19	21	1
36691022	3-33	20	1	70.3288.3.604	3-21	92	1	70.3676.1.032	3-39	7	1
36691024	3-39	5	1	70.3288.3.605	3-21	91	1	70.3721.1.153	3-25	11	1
36741109	3-43	1	(1)	70.3324.2.003	3-13	24*	1	70.3723.1.029	3-39	20	1
36771079	3-33	34	1	70.3325.1.108	3-3	7	1	70.3727.4.013	3-19	23	1
37211045	3-39	30	1	70.3325.1.109	3-3	16	1	70.4165.1.097	3-49	14	1
37211133	3-43	9	1	70.3325.8.077	3-43	3	0	70.4165.1.112	3-61	7	(1)
37213001	3-55	14	10	70.3325.8.091	3-65	2	(1)	70.4165.1.114	3-59	2	(1)
37771022	3-43	2	(1)	70.3325.8.092	3-65	3	(1)	70.4165.1.115	3-59	19*	(1)*
37771023	3-55	16	1	70.3325.8.093	3-65	6	(1)	70.4165.1.116	3-59	20*	(1)*
39.0013.3.000	3-65	11	(1)	70.3325.8.094	3-65	4	(1)	70.4165.1.124	3-49	24	1
39.0087.0.000	3-57	11	(1)	70.3325.8.095	3-65	5	(1)	70.4165.1.125	3-49	19	1
42241009	3-39	38	1	70.3441.6.045	3-21	87	1	70.4165.1.126	3-49	28	1
49910018	3-55	6	1	70.3441.6.046	3-21	88	1	70.4165.1.129	3-57	22	(1)
49910019	3-55	19	1	70.3462.7.067	3-33	33	1	70.4223.3.029	3-13	1	1
70.2691.1.188	3-13	49	1	70.3474.3.093	3-43	24	1	70.4253.1.078	3-9	10*	1*
70.3100.0.020	3-33	45	1	70.3474.3.094	3-43	25	1	70.4253.1.078	3-17	01*	1*
70.3100.0.040	3-35	93	1	70.3532.8.073	3-59	25*	(1)*	70.4253.1.079	3-9	10**	1**
70.3100.0.042	3-5	66	1	70.3532.8.075	3-59	6	(1)	70.4253.1.079	3-17	01**	1**
70.3100.0.043	3-33	46	1	70.3532.8.076	3-59	9	(1)	70.8001.1.002	3-51	12	1
70.3110.0.038	3-47	5	1	70.3532.8.077	3-59	12	(1)	70.8001.1.011	3-51	14	1
70.3121.1.016	3-39	47	1	70.3532.8.078	3-61	6	(1)	70.8001.1.013	3-51	12*	1
70.3126.8.002	3-39	3	1	70.3535.1.181	3-3	13*	1*	70.8001.1.014	3-53	1	1
70.3142.3.070	3-33	18	1	70.3535.1.182	3-3	19	1	71.3271.1.021	3-21	97	1
70.3149.1.001	3-39	24	1	70.3541.1.112	3-43	05**	1	71.3271.1.022	3-21	96	1
70.3162.5.003	3-5	58	1	70.3542.1.065	3-43	4	1				