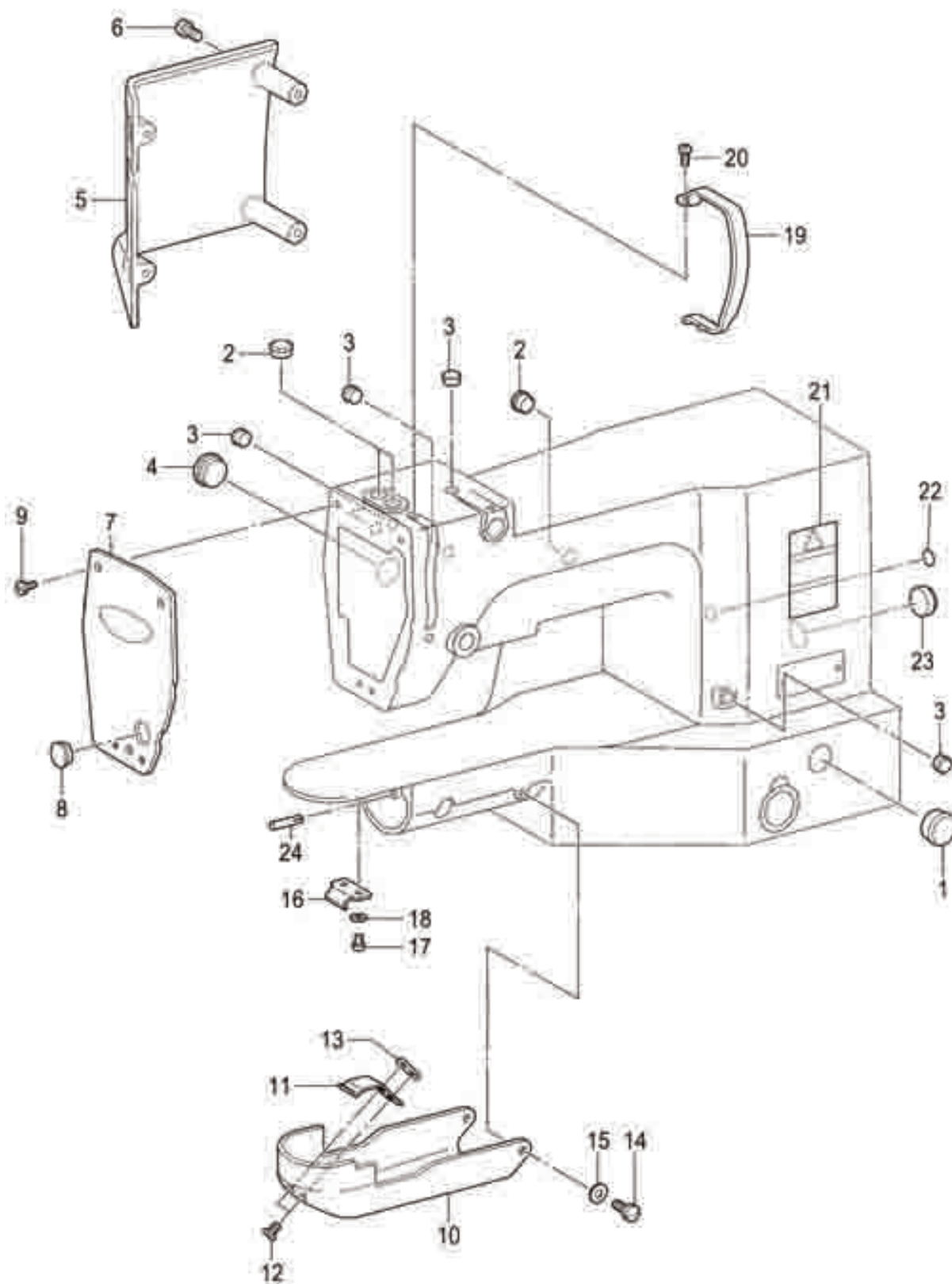


TABLE OF CONTENTS

Machine body.....	3-2
Upper shaft and needle bar mechanism.....	3-4
Feed mechanism.....	3-6
Work clamp lifter mechanism.....	3-10
Button clamp mechanism.....	3-12
Lower shaft mechanism.....	3-14
Lubrication.....	3-16
Threading mechanism.....	3-18
Bobbin winder mechanism.....	3-20
Thread trimmer mechanism.....	3-22
Thread wiper mechanism.....	3-26
Tension release mechanism.....	3-28
Thread nipper mechanism.....	3-30
Control box mechanism.....	3-32
Control box (PCB) mechanism.....	3-34
Power switch mechanism.....	3-36
Power supply equipment mechanism.....	3-38
Operation panel mechanism.....	3-40
Motor mechanism.....	3-42
Foot switch pedal mechanism.....	3-44
Auxiliary device (option parts for BT-2700).....	3-46
Accessories.....	3-48
Different parts list.....	3-52
Gaugepartslist Index.....	3-54

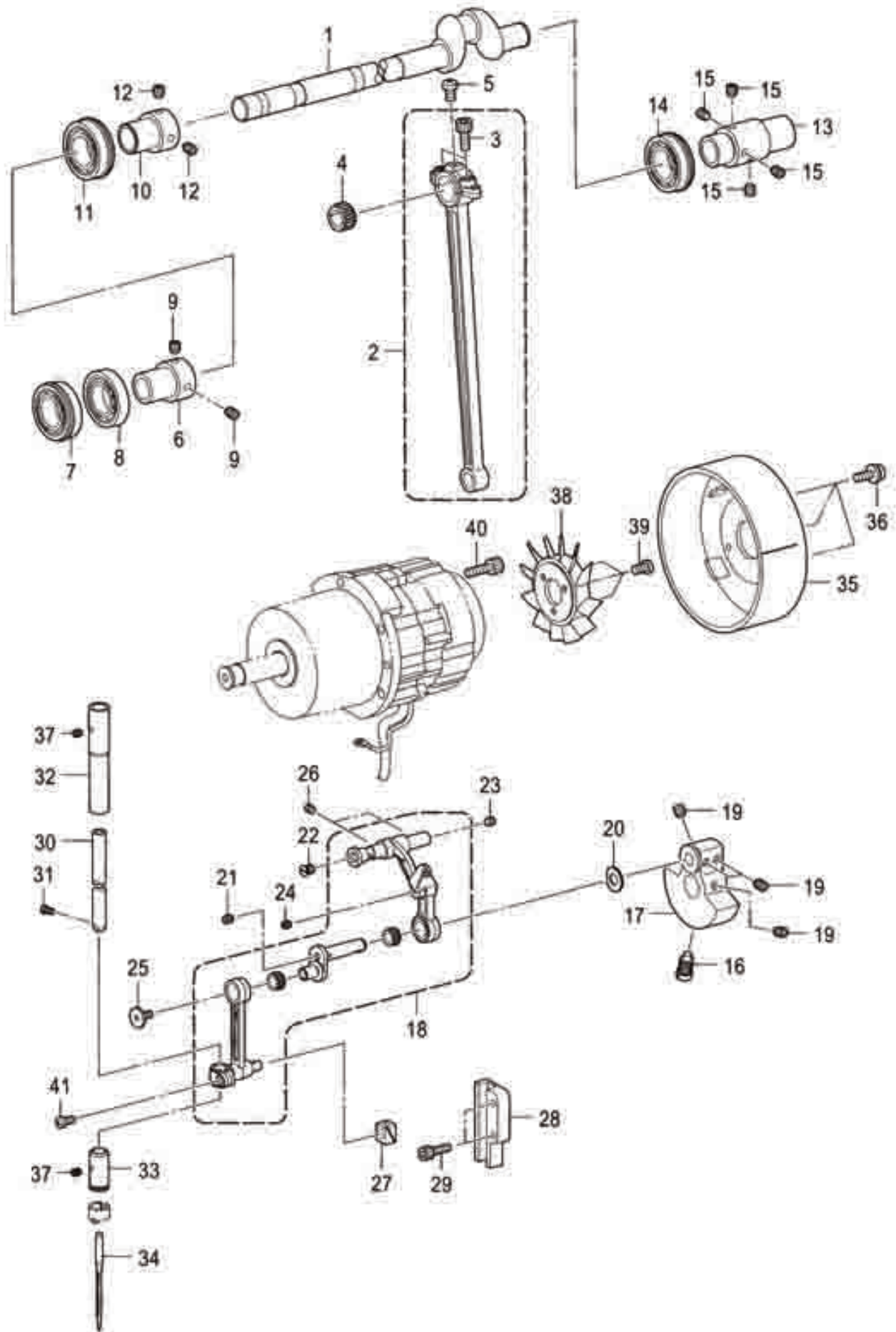
MACHINE BODY



MACHINE BODY

DET	PART NUMBER	QTY.	DESCRIPTION
1	C140392009	1	OIL CAP
2	C117934001	3	RUBBER CAP, 13.5
3	C104821001	5	RUBBER CAP, 10.5
4	C140392009	1	OIL CAP
5	CSA3260001	1	FRAME SIDE COVER
6	C062061016	4	SCREW, PAN M6X10
7	CSA3199001	1	FACE PLATE
8	C104449001	1	RUBBER CAP, 15.5
9	C062501016	3	SCREW, PAN M5X10
10	CSA3262101	1	SHUTTLE RACE COVER
11	CSA3263001	1	SHUTTLE RACE COVER HOOK D
12	C004300513	2	SCREW, FLAT M3X5
13	CSA3264001	1	NUT PLATE
14	CSA3265001	2	SHOULDER SCREW, 8-2
15	C109239002	2	WASHER, WAVE SPRING
16	CSA3266001	1	SHUTTLE RACE COVER HOOK U
17	C062300416	2	SCREW, PAN M3X4
18	C025030236	2	WASHER, PLAIN M 3
19	CSA3200101	1	THREAD TAKE-UP COVER
20	C062401006	1	SCREW, PAN M4X10
21	CSA2040001	1	LABEL, CAUTION CHWENG
22	CS37060001	1	LABEL, GROUNDING
23	CS28044001	1	RUBBER CAP, 20.8
24	C117608001	1	DOWEL PIN

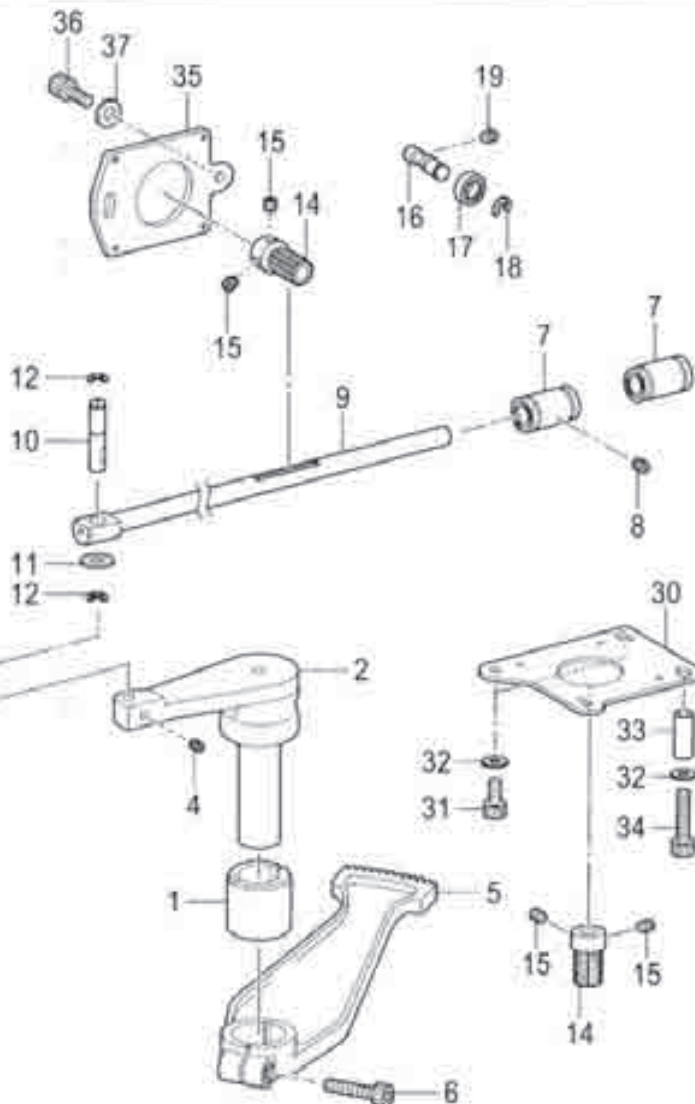
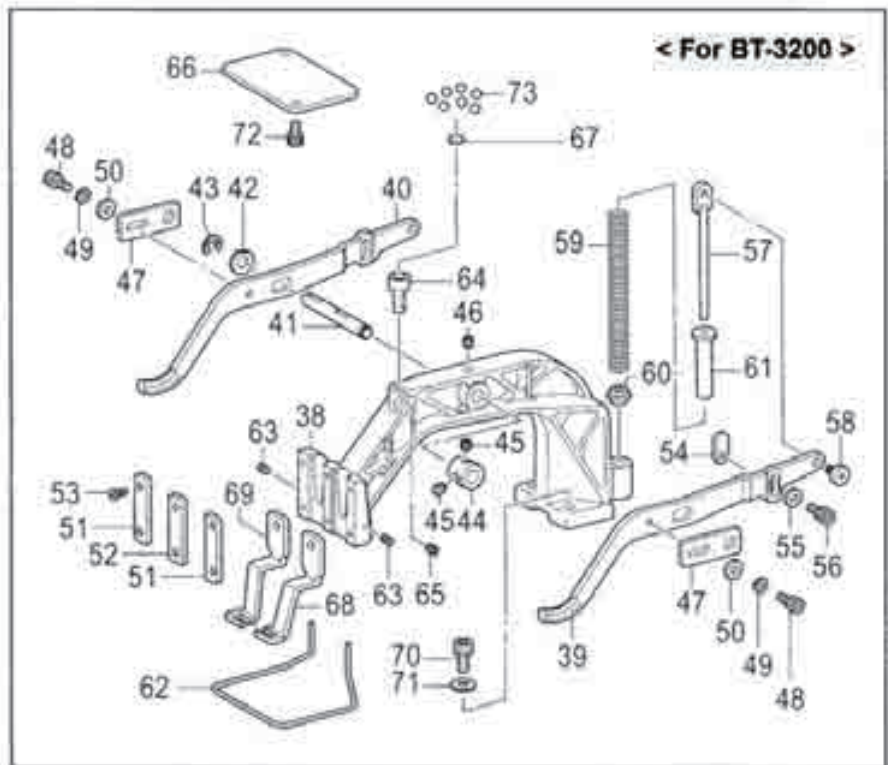
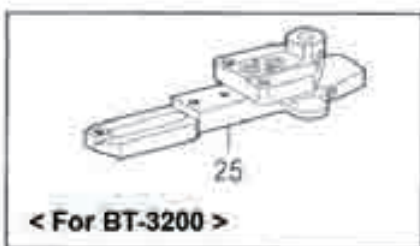
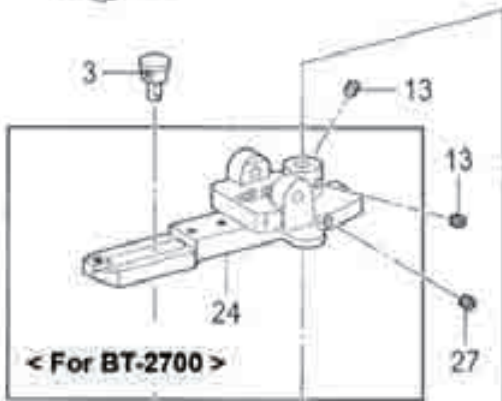
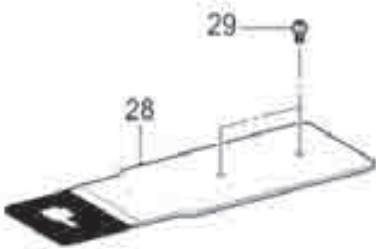
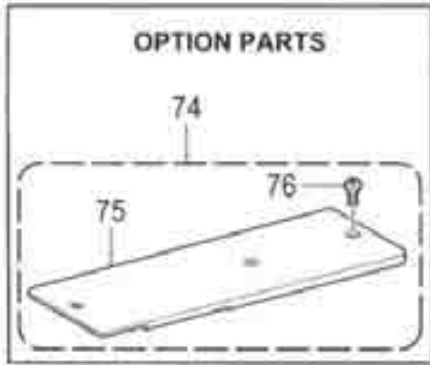
UPPER SHAFT AND NEEDLE BAR MECHANISM



UPPER SHAFT AND NEEDLE BAR MECHANISM

DET	PART NUMBER	QTY.	DESCRIPTION
1	CSA3201001	1	UPPER SHUFT
2	CSA3499001	1	CRANK ROD ASSY
3	C018501636	2	BOLT, SOCKET M5X16
4	CSA4172001	1	NEEDLE BEARING
4	CSA4173001	1	NEEDLE BEARING
4	CSA4174001	1	NEEDLE BEARING
4	CSA4175001	1	NEEDLE BEARING
5	C062300416	1	SCREW, PAN M3X4
6	CSA3206001	1	BALL BEARING BUSH
7	CSA4179001	1	BALL BEARINH,6904DDUNR
8	CSA4180001	1	BALL BEARING, RADIAL 6904DDU
9	CS23651001	2	SET SCREW, SOCKET (FT) M6X6
10	CSA3206001	1	BALL BEARING BUSH
11	CSA4177001	1	BALL BEARING, 6004DDUNR
12	CS23651001	2	SET SCREW, SOCKET (FT) M6X6
			< For BT-3200 >
13	CSA3210001	1	JOINT A
			< For BT-2700 >
13	CSA3589001	1	JOINT,B
14	CSA4178001	1	BALL BEARING 6204DDUNR
15	CS23651001	4	SET SCREW, SOCKET (FT) M6X6
16	CS25235001	1	SCREW, M8
			< For BT-3200 >
17	CSA3497001	1	THREAD TAKE-UP CRANK,C
18	CSA6563001	1	THREAD TAKE-UP LEVER,A SET
			< For BT-2700 >
17	CSA3591001	1	THREAD TAKE-UP CRANK,B
18	CSA4327001	1	THREAD TAKE-UP REVER,B SET
19	CS23651001	4	SET SCREW, SOCKET (FT) M6X6
20	C110367001	1	WASHER, PLAIN SPECIAL 8
21	C012300336	1	SET SCREW, SOCKET (FT) M3X3
22	CSA2958001	1	SCREW, FLAT M5X6
23	C012500536	1	SET SCREW, SOCKET (FT) M5X5
24	C012300336	1	SET SCREW, SOCKET (FT) M3X3
25	C145465001	1	SCREW, SM3,57-40X6 L
26	C012060636	2	SET SCREW, SOCKET (FT) M6X6
27	CSA3488001	1	SLIDE BLOCK
28	CSA3528001	1	SLIDE BLOCK GUIDE
29	C018401636	2	BOLT, SOCKET M4X16
30	CSA3222001	1	NEEDLE BAR,A
31	C144458001	1	SET SCREW, SM3,57-40X4,5
32	CSA3223001	1	NEEDLE BAR BUSH,U
33	CSA3224001	1	NEEDLE BAR BUSH,D
34	C* P. 54	1	NEEDLE
35	CSA3225101	1	PULLEY
36	CSA3025001	3	SCREW,PAN(SiP WASHER)M4X10
37	C012500536	2	SET SCREW, SOCKET (FT) M5X5
38	CS38713100	1	FAN
39	C062400806	3	SCREW, PAN M4X8
40	C018501636	4	BOLT, SOCKET M5X16
41	C062400816	1	SCREW,PAN M4X8

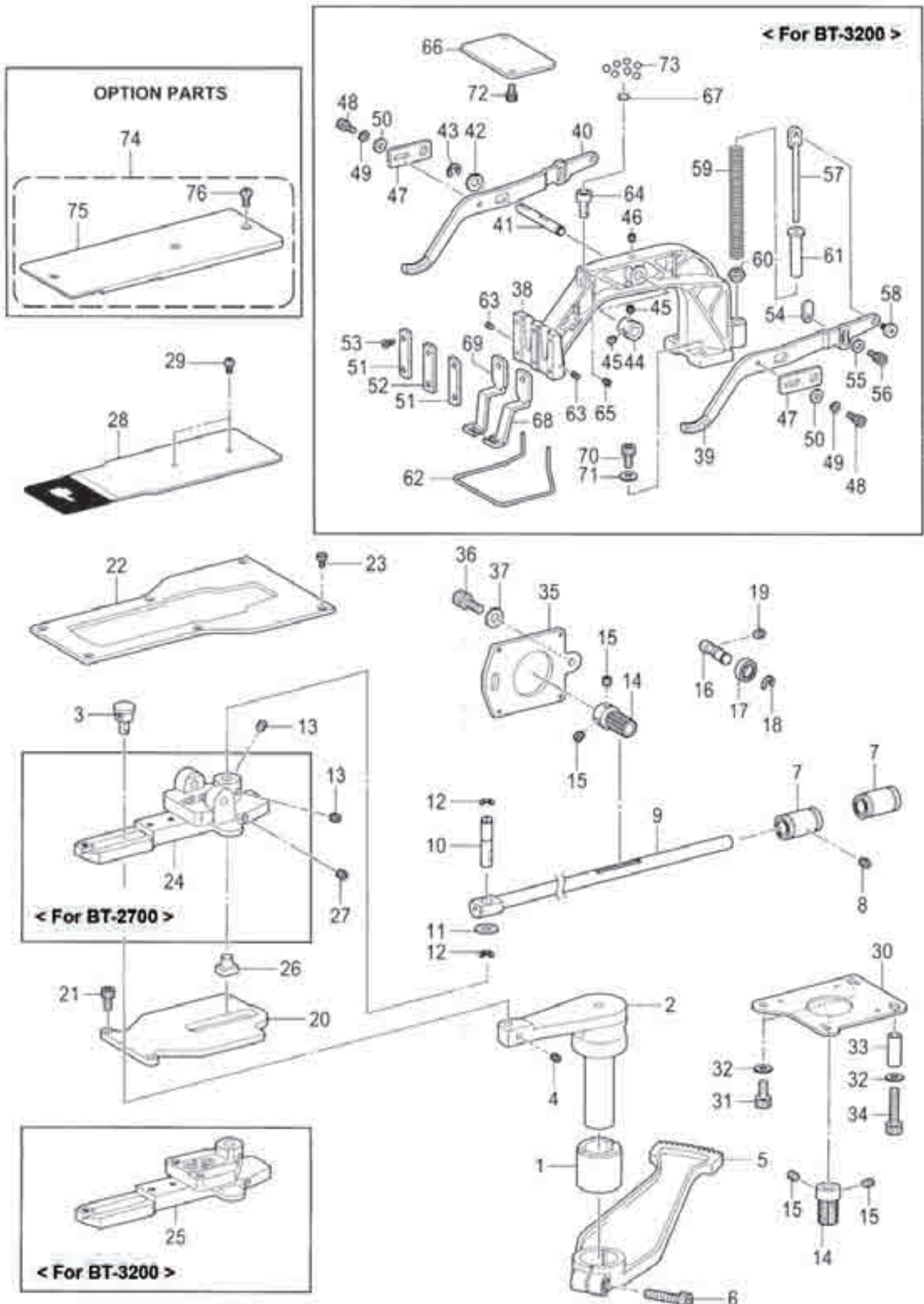
FEED MECHANISM



FEED MECHANISM

DET	PART NUMBER	QTY.	DESCRIPTION
1	CSA3363001	1	X-FEED LEVER BUSH
2	CSA3364001	1	X-FEED LEVER
3	CSA3533001	1	T-LENGTH REGURATOR BLOCK ASSY
4	C012500536	1	SET SCREW, SOCKET (FT) M5X5
5	CSA3366001	1	X-FEED GEAR
6	C018063036	1	BOLT, SOCKET M6X30
7	CXC5780001	2	BEARING 10 LINER
8	C012060636	2	SET SCREW, SOCKET (FT) M6X6
9	CSA3367001	1	Y-FEED RACK SHAFT
10	CSA3368001	1	Y-CONNECTING PIN
11	C153113001	1	THRUST WASHER
12	C048060342	2	RETAINING RING, E6
13	C012060636	2	SET SCREW, SOCKET (FT) M6X6
14	CSA4197001	2	FEED GEAR
15	C012060636	4	SET SCREW, SOCKET (FT) M6X6
16	CSA3370001	1	ECCENTRIC SHAFT
17	C070608800	2	BALL BEARING, ARDIAL 608ZZ
18	C048080142	1	RETAINING RING, EXTERNAL C8
19	C012060636	1	SET SCREW, SOCKET (FT) M6X6
20	CSA3371001	1	FEED BAR SUPPORT PLATE
21	C018401036	3	BOLT, SOCKET M4X10
22	CSA3372001	1	FEED BAR COVER
23	CSA3538001	6	SCREW, M4X8
			< For BT-2700 >
24	CSA3604001	1	FEED BAR SUB ASSY B
			< For BT-3200 >
25	CSA3373001	1	FEED BAR SUB ASSY A
26	CSA3534001	1	T-WIDTH REGURATOR BROCK ASSY
27	C012060636	1	SET SCREW, SOCKET (FT) M6X6
28	C* P. 54	1	FEED PLATE
29	C153057101	2	SCREW, ROUND W/SOCKET SM4.37
30	CSA3381001	1	X-MOTOR SETTING PLATE
31	C018061236	2	BOLT, SOCKET M6X12
32	C025060236	3	WASHER, PLAIN M 6
33	CSA3708001	1	COLLAR
34	C018063536	1	BOLT, SOCKET M6X35
35	CSA3382001	1	Y-MOTOR SETTING PLATE
36	C018061236	2	BOLT, SOCKET M6X12
37	C025060236	2	WASHER, PLAIN M 6
			< For BT-3200 >
38	CSA3419001	1	WORK CLAMP ARM
39	CSA3420001	1	WORK CLAMP ARM LEVER,R
40	CSA3421001	1	WORK CLAMP ARM LEVER,L
41	CSA3422001	1	WORK CLAMP ARM LEVER SHAFT
42	C110367001	1	WASHER, PLAIN SPECIAL 8
43	C048060346	1	RETAINING RING, E6
44	CSA3231001	1	SET SCREW COLLAR,B
45	C012060536	2	SET SCREW, SOCKET (FT) M6X5
46	C012500536	1	SET SCREW, SOCKET (FT) M5X5
47	CSA3423001	2	WORK CLAMP LEVER SUPPORT
48	C018500836	2	BOLT, SOCKET M5X8
49	C028050246	2	WASHER, SPRING 2-5
50	C025050236	2	WASHER, PLAIN M 5
51	CSA3424001	2	WORK CLAMP GUIDE BRACKET,A
52	CSA3425001	1	WORK CLAMP GUIDE BRACKET,B
53	CSA3426001	6	SCREW,FLAT M3.5
54	CSA3208201	2	WORK CLAMP ARM LEVER PLATE
55	C146354002	2	WASHER, PLAIN 5
56	C018500836	2	BOLT, SOCKET M5X8
57	CSA3427101	2	SPRING GUIDE ROD

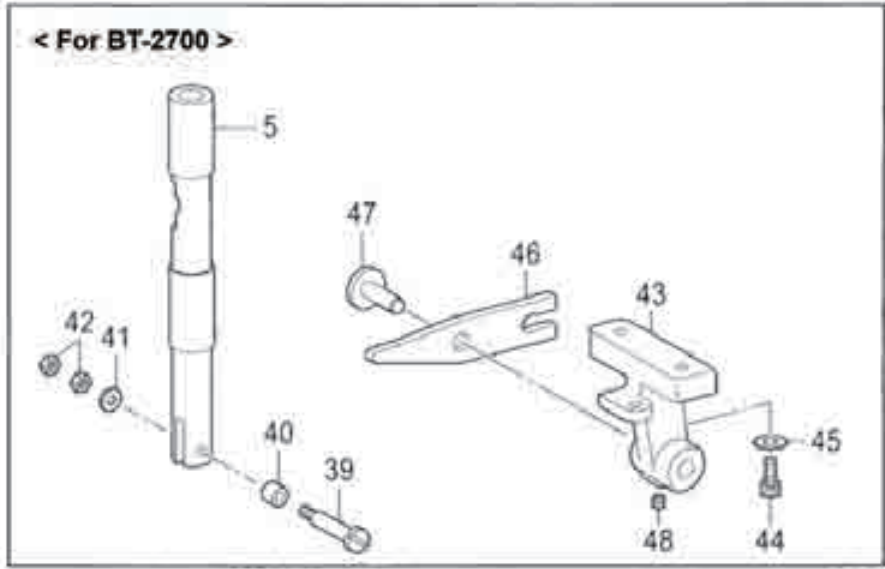
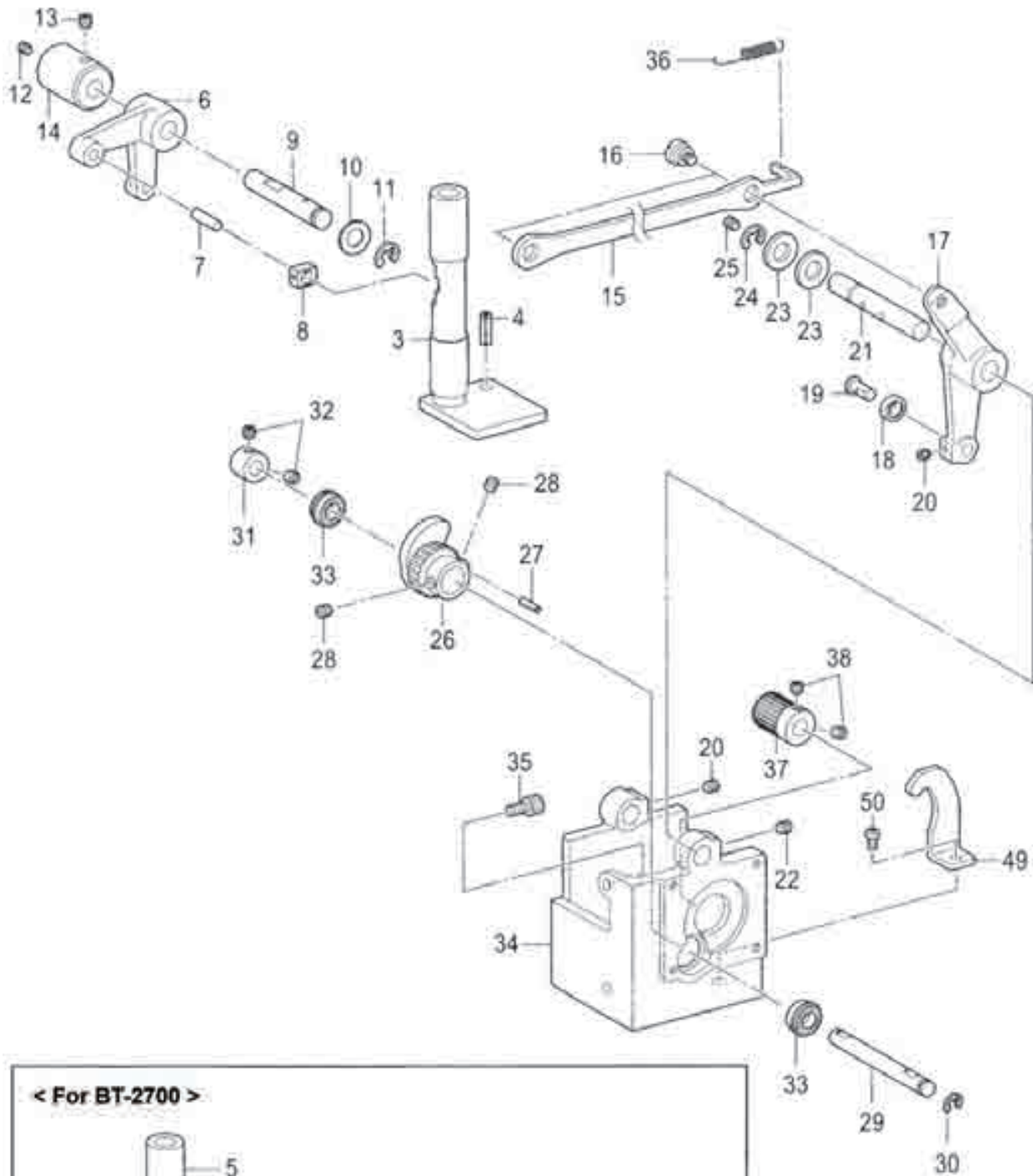
FEED MECHANISM



FEED MECHANISM

DET	PART NUMBER	QTY.	DESCRIPTION
			< For BT-3200 >
58	CSA1179002	2	SHOULDER SCREW, M5
59	C153568001	2	PRESSER SPRING, A
60	C152788000	2	PRESSER SPRING SPACER
61	C153567000	2	PRESSER SPRING COLLAR
62	CSA4130001	1	FINGER GUARD
63	CSA2626001	2	SET SCREW, (CP) M3.5
64	CSA3428001	1	SUPPORT SHAFT, W-CLAMP
65	C012500536	1	SET SCREW, SOCKET (FT) M5X5
66	CSA3487001	1	WORK CLAMP ARM SUPPORT PLATE
67	CSA4145001	1	SPACER, W-CLAMP
68	C* P 54	1	WORK CLAMP, RIGHT
69	C* P 54	1	WORK CLAMP, LEFT
70	C018061636	2	BOLT, SOCKET M6X16
71	C025060236	2	WASHER, PLAIN M 6
72	C018400836	2	BOLT, SOCKET M4X8
73	C071031840	7	BEARING BALL, 1/8
			<Option parts>
74	CSA4198001	1	H-POSITION STSNDARD PLATE, ASSY
75	CS42903001	1	H-POSITION STSNDARD PLATE
76	CS49955101	2	SCREW, W/ SOCKET SM4.37

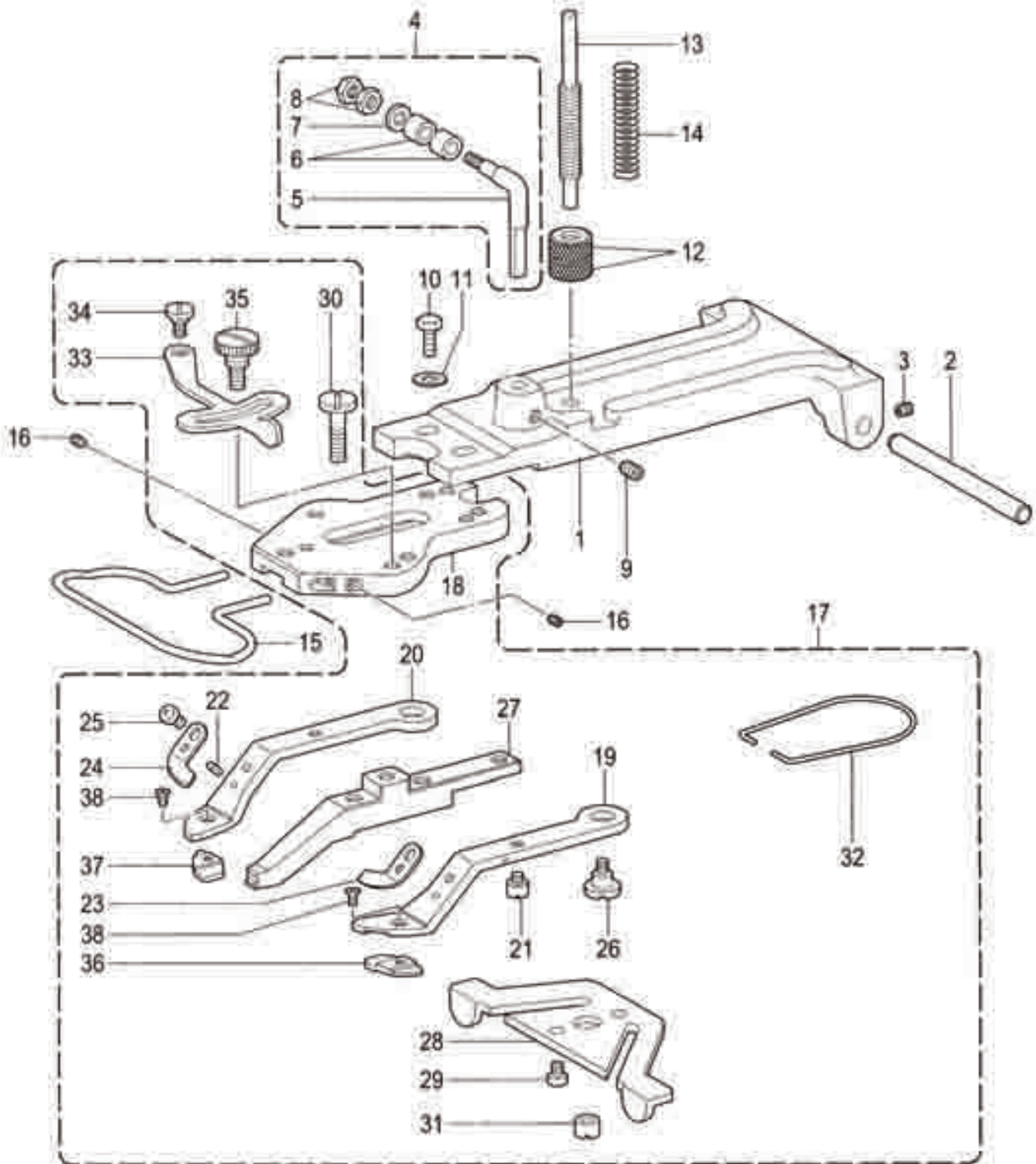
WORK CLAMP LIFTER MECHANISM



WORK CLAMP LIFTER MECHANISM

DET	PART NUMBER	QTY.	DESCRIPTION
			< For BT-3200 >
3	CSA3432001	1	WORK CLAMP LIFTER PLATE
4	C047602042	1	PIN, SPRING ROLL AW6
			< For BT-2700 >
5	CSA3628001	1	BUTTON CLAMP ROD
6	CSA3434001	1	LIFTER LEVER
7	C152744001	1	PIN
8	C102630001	1	NEEDLE BAR GUIDE SLIDE BLOCK
9	CSA3435001	1	LEVER SHAFT
10	CS20356001	1	WASHER, PLAIN 10
11	C048080342	1	RETAINING RING, E8
12	C012500536	1	SET SCREW, SOCKET (FT) M5X5
13	C012060636	1	SET SCREW, SOCKET (FT) M6X6
14	CSA3436001	1	W-CLAMP LIFTER LEVER BUSH
15	CSA3437001	1	LINK
16	CSA3438001	2	LINK SHOULDER SCREW
17	CSA3439001	1	DRIVE LEVER W-CLAMP LIFTER
18	C070696800	1	BALL BEARING, RADIAL 696ZZ
19	CSA3441001	1	W-CLAMP LIFTER ROLLER SHAFT
20	C012500536	1	SET SCREW, SOCKET (FT) M5X5
21	CSA3442001	1	CAM LEVER SHAFT
22	C012060636	2	SET SCREW, SOCKET (FT) M6X6
23	CS20356001	2	WASHER, PLAIN 10
24	C048080342	1	RETAINING RING, E8
25	C012500536	1	SET SCREW, SOCKET (FT) M5X5
26	CSA3443101	1	CAM GEAR
27	C047301042	1	PIN, SPRING ROLL AW3
28	C012060636	2	SET SCREW, SOCKET (FT) M6X6
29	CSA3444001	1	CAM SHAFT
30	C048060346	1	RETAINING RING, E6
31	CSA3231001	1	SET SCREW COLLAR, B
32	C012060536	2	SET SCREW, SOCKET (FT) M6X5
33	C070688850	2	BALL BEARING, RADIAL 688ZZ
34	CSA3445001	1	MOTOR BRACKET
35	C018061236	2	BOLT, SOCKET M6X12
36	CSA3446001	1	SPRING
37	CSA3707001	1	GEAR 16
38	C012060536	2	SET SCREW, SOCKET (FT) M6X5
			< For BT-2700 >
39	CSA3629001	1	BUTTON CLAMP ROLLER SHAFT
40	C107744001	1	ROLLER
41	C025040236	1	WASHER, PLAIN M 4
42	C021400216	2	NUT, 2 M4
43	CSA3630001	1	BUTTON CLAMP LEVER HOLDER
44	C018061636	2	BOLT, SOCKET M6X16
45	C025060236	2	WASHER, PLAIN M 6
46	CSA3631001	1	BUTTON CLAMP LEVER
47	C153838001	1	BUTTON CLAMP LEVER SHAFT
48	C012060636	1	SET SCREW, SOCKET (FT) M6X6
49	CSA4072001	1	STOPPER
50	C062061016	1	SCREW, PAN M6X10

BUTTON CLAMP MECHANISM



OPTION PARTS



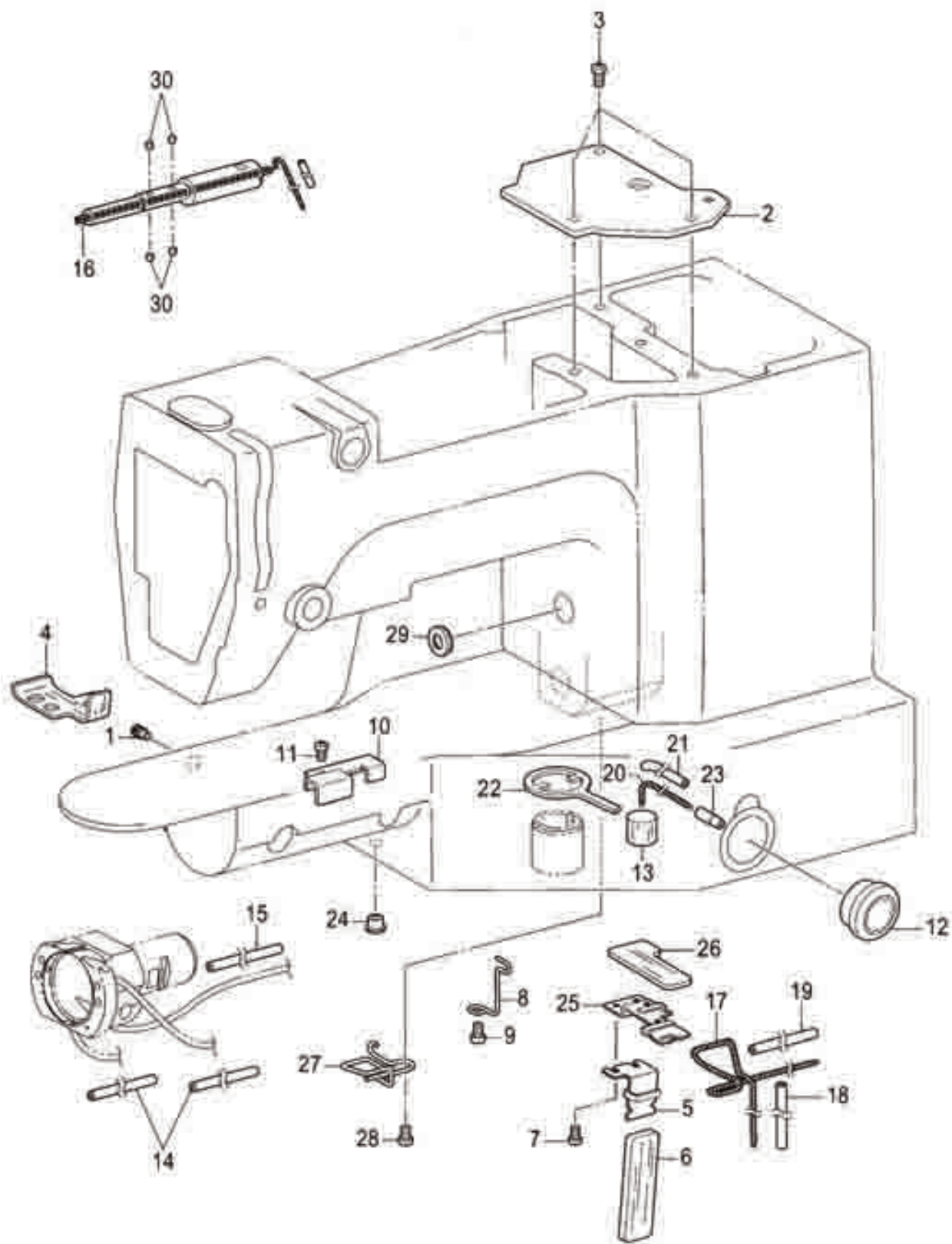
BUTTON CLAMP MECHANISM

DET	PART NUMBER	QTY.	DESCRIPTION
			< For BT-2700 >
1	C153830000	1	BUTTON CLAMP HOLDER
2	C153827001	1	BUTTON CLAMP HOLDER SHAFT
3	C014680632	2	SET SCREW, SOCKET SM4.37-40X6
4	C151968001	1	BUTTON CLAMP HOLDER HOOK ASSY
5	C151969001	1	B-CLAMP HOLDER HOOK
6	C107744001	2	ROLLER
7	C153484001	1	WASHER, PLAIN 4.76
8	C105234003	2	NUT SM4.37
9	C014760632	1	SET SCREW, SOCKET SM5.95-28X6
10	C017711412	2	BOLT, SM4.76-32X14
11	C146354001	2	WASHER, PLAIN 5
12	C146994001	2	NUT, ROUND SM6.35-40
13	C115148201	1	ADJUSTING SCREW, SM6.35-40
14	C115147001	1	COMPRESSION SPRING
15	CS49998001	1	FINGER GUARD
16	C011679312	2	SET SCREW, (FT) SM3.57
17	CS59315001	1	BUTTON CLAMP ASSY, 2A
18	CS52093001	1	BUTTON CLAMP BASE
19	CS59316001	1	BUTTON CLAMP, 2AL
20	CS59317001	1	BUTTON CLAMP, 2AR
21	C115156001	2	BUTTON CLAMP GUIDE PIN
22	C047250642	2	PIN, SPRING ROLL AW2.5
23	CS59318001	1	BUTTON CLAMP 2AL PLATE SPRING
24	CS59319001	1	BUTTON CLAMP 2AR PLATE SPRING
25	C062680512	2	SCREW, PAN SM4.37-40X5
26	C115158001	2	SHOULDER SCREW, SM4.76
27	CS59320001	1	BUTTON CLAMP, 2AM
28	CS03659001	1	BUTTON CLAMP PLATE CAM
29	C062680812	2	SCREW, PAN SM4.37-40X8
30	CS03468101	1	SCREW, SM4.37
31	CS03657001	1	NUT, ROUND SM4.37
32	CS59321001	1	SPRING
33	C115164101	1	BUTTON CLAMP ADJUSTING PLATE
34	C115165001	1	SHOULDER SCREW, SM4.37
35	C115166001	1	SHOULDER SCREW, SM4.37
36	CS52072001	1	BUTTON CLAMP SPACER, BL
37	CS52076001	1	BUTTON CLAMP SPACER, BR
38	CS01694001	2	SCREW, FLAT SM2.38X4
			"OPTION PARTS"
39	CS52071001	1	BUTTON CLAMP SPACER, AL
40	CS52075001	1	BUTTON CLAMP SPACER, AR
41	CS52072001	1	BUTTON CLAMP SPACER, BL
42	CS52076001	1	BUTTON CLAMP SPACER, BR
43	CS52073001	1	BUTTON CLAMP SPACER, CL
44	CS52077001	1	BUTTON CLAMP SPACER, CR
45	CS52074001	1	BUTTON CLAMP SPACER, DL
46	CS52078001	1	BUTTON CLAMP SPACER, DR

LOWER SHAFT MECHANISM

DET	PART NUMBER	QTY.	DESCRIPTION
1	CSA3226001	1	SHOULDER SCREW
2	CSA3227001	1	NUT(FT),M6
3	CSA3228101	1	ROCK GEAR
4	CSA4068101	1	ROCK GEAR SHAFT,A
5	CSA3231001	1	SET SCREW COLLAR,B
6	C012060536	2	SET SCREW, SOCKET (FT) M6X5
7	CSA3233001	1	SET SCREW COLLAR
8	CS23651001	2	SET SCREW, SOCKET (FT) M6X6
9	C012060636	2	SET SCREW, SOCKET (FT) M6X6
10	CSA3234101	1	LOWER SHAFT ASSY
11	C012500536	1	SET SCREW, SOCKET (FT) M5X5
12	C012400436	2	SET SCREW, SOCKET (FT) M4X4
13	CSA3237001	1	LOWER SHAFT BUSH
14	CSA4187001	4	NEEDLE BEARING
14	CSA4188001	4	NEEDLE BEARING
14	CSA4189001	4	NEEDLE BEARING
14	CSA4190001	4	NEEDLE BEARING
15	CSA3273001	1	LOWER SHAFT COLLAR
16	C012060636	1	SET SCREW, SOCKET (FT) M6X6
17	CSA3238101	2	ADJUSTING STUD
18	C081003670	2	O RING, PW3
19	CSA3239101	1	SHUTTLE RACE BASE ASSY
20	CS02429201	1	SHUTTLE RACE THREAD GUIDE
21	CSA4199001	2	SCREW, M3X4
22	CSA3241001	2	S-RACE BASE SETTING CLAW
23	C152684101	2	COMPRESSION SPRING
24	C026030136	2	WASHER, PLAIN S 3
25	C062300616	2	SCREW, PAN M3X6
26	C153050000	2	S-RACE BASE FELT
27	CSA3242001	1	FELT HOLDER
28	CS44924001	2	SCREW, M3X5.5
29	CSA3274101	1	FELT HOLDER
30	CS47307001	2	SCREW, M3X4
31	CSA3275001	1	FELT,T
32	CS59886001	3	FELT, L=360
33	CSA3276001	2	SPACER,A
34	CSA3277001	2	RETAINING RING
35	C012060636	1	SET SCREW, SOCKET (FT) M6X6
36	CSA3278001	1	COLLAR
37	C048070342	1	RETAINING RING, E7
38	CSA3284001	1	DRIVER,D
39	C018501232	1	BOLT, SOCKET M5X12
40	C* P. 53	1	SHUTTLE RACE BASE
41	C* P. 53	1	BOBBIN CASE ASSY
42	C* P. 53	1	TENSION SPRING
43	C* P. 53	1	SCREW
44	C* P. 53	1	ANTI-SPIN SPRING
45	C* P. 53	1	BOBBIN
46	CSA3283101	1	SET SCREW COLLAR,R
47	C012500536	1	SET SCREW, SOCKET (FT) M5X5
48	C* P. 53	1	SHUTTLE HOOK ASSY,W/BOX
101	CSA6128001	1	SHUTTLE RACE BASE SET
102	CSA6129001	1	LOWER SHAFT BUSH ASSY

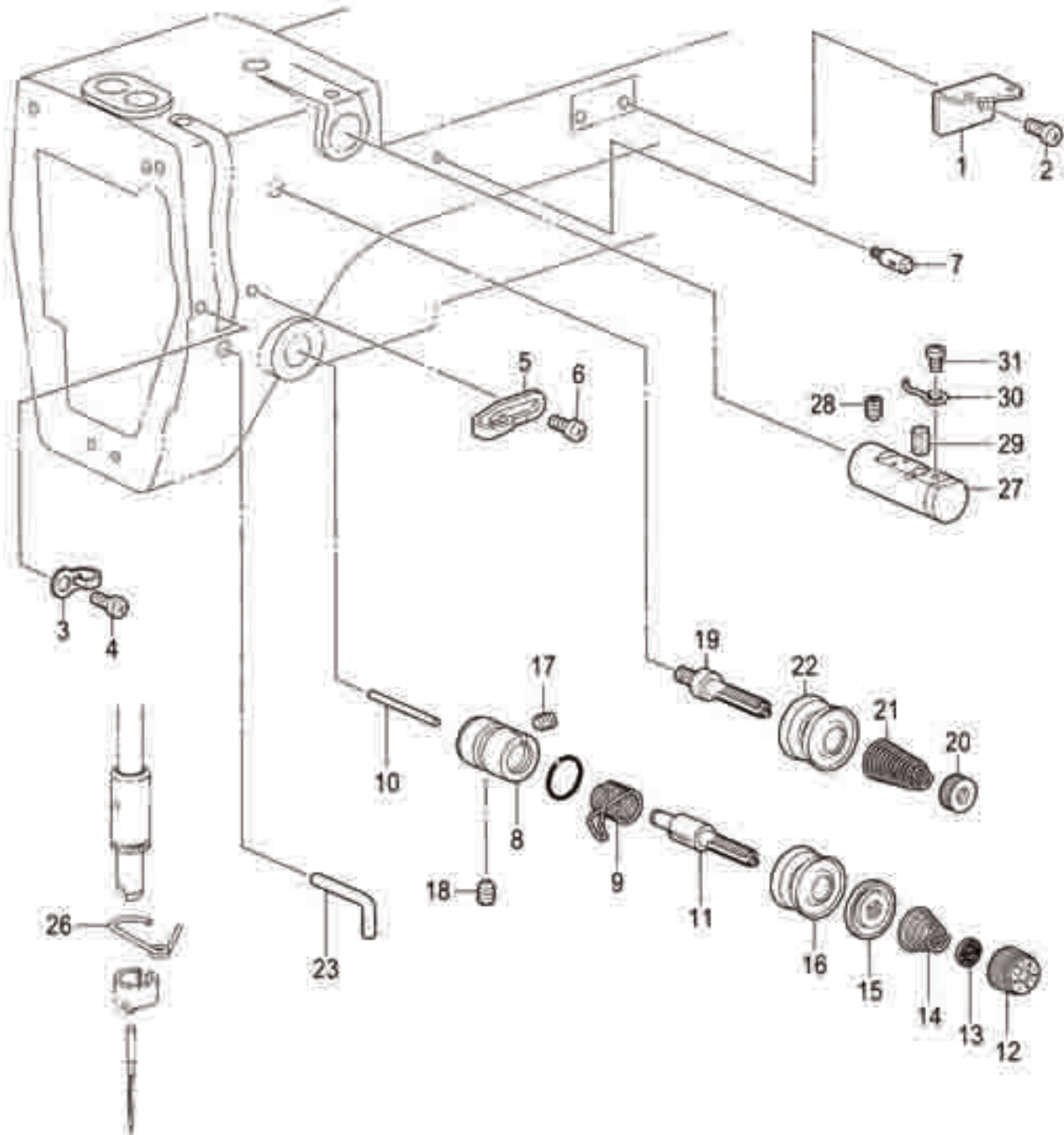
LUBRICATION



LUBRICATION

DET	PART NUMBER	QTY.	DESCRIPTION
1	CSA3244001	1	SET SCREW
2	CSA3245001	1	CRANK COVER
3	C062061016	3	SCREW, PAN M6X10
4	CSA3279001	1	FELT
5	CSA3503201	1	LOWER SHAFT WICK SUPPORT
6	CSA3504201	1	LOWER SHAFT GEAR FELT
7	C062400616	2	SCREW, PAN M4X6
8	CSA3282001	1	CORD HOLDER A
9	C062060816	1	SCREW, PAN M6X8
10	CSA3249001	1	OIL TUBE SUPPORT
11	C062400616	1	SCREW, PAN M4X6
12	CS49992000	1	OIL GAUGE WINDOW
13	CSA3379001	1	FELT
14	CS50529000	2	OIL TUBE, L=320
15	CS28415000	1	OIL TUBE (L=225)
16	CS45849000	1	WICK, L=300
17	C153922001	1	WICK, L=500
18	CSA1302001	1	VINYL TUBE
19	CS56877000	1	OIL TUBE
20	CS59886001	1	FELT, L=360
21	C143671000	1	OIL TUBE
22	CSA3287001	1	X-FEED LEVER FELT
23	CS07333001	1	OIL FEEDING PIPE, S
24	C146080000	1	CORD BUSH
25	CSA3246001	1	GEAR WICK SUPPORT
26	CSA3280001	1	GEAR FELT
27	CSA4221001	1	CORD HOLDER B
28	C062060816	1	SCREW, PAN M6X8
29	CSA4222001	1	FELT
30	C153050000	4	S-RACE BASE FELT

THREADING MECHANISM



For BT-3200 Denim



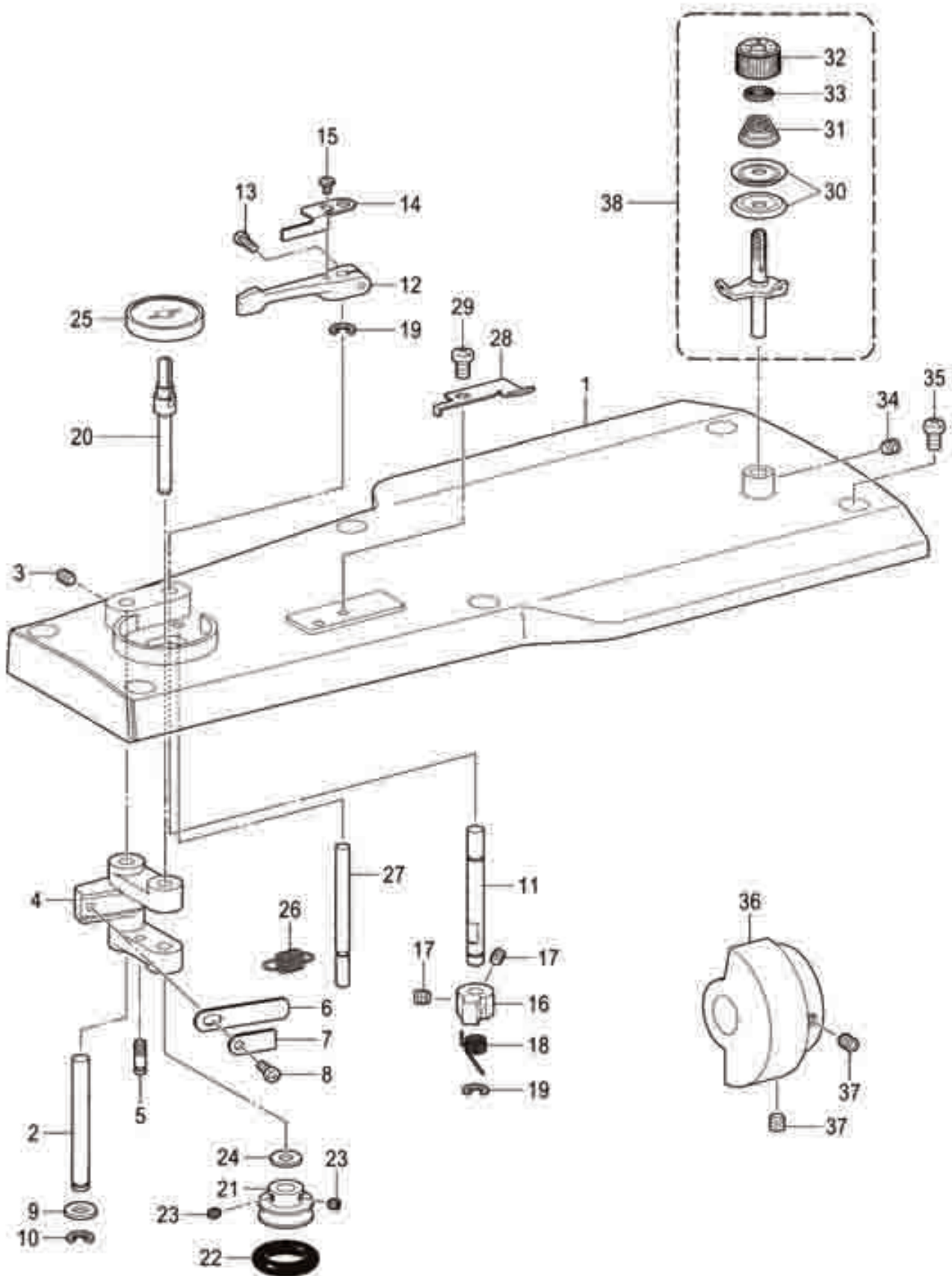
**< For BT-3200 Ordinary materials,
Knitted materials & Foundation garments >
< For BT-2700 >**



THREADING MECHANISM

DET	PART NUMBER	QTY.	DESCRIPTION
1	CSA3250001	1	ARM THREAD GUIDE A
2	C062500616	1	SCREW, PAN M5X6
3	CSA4333001	1	ARM THREAD GUIDE B
4	C062500616	1	SCREW, PAN M5X6
5	CSA3252001	1	ARM THREAD GUIDE C
6	C062500616	1	SCREW, PAN M5X6
7	C153049001	1	UPPER THREAD GUIDE STUD
8	CSA3254001	1	TENSION BRACKET
9	C* P. 53	1	THREAD TAKE-UP SPRING
10	CS12699000	1	TENSION RELEASE PIN
11	CSA3255001	1	TENSION STUD
12	CS31032001	1	TENSION NUT
13	CS12441001	1	WASHER
14	C* P. 53	1	TENSION SPRING
15	C159805001	1	TENSION DISC PRESSER
16	C145446001	2	DISC, TENSION
17	C100402004	1	SET SCREW, SM3.57
18	CSA4143001	1	SET SCREW, (FT) M6X6
19	CSA3256001	1	TENSION STUD A
20	C100136001	1	TENSION NUT
21	CSA4146001	1	SUB TENSION SPRING
22	C145446001	2	DISC, TENSION
23	C159224001	1	THREAD GUIDE, ARM
			< For BT-3200
			Ordinary materials, Knitted materials &
			Foundation garments>
			< For BT-2700 >
24	CSA3835101	1	NEEDLE BAR THREAD GUIDE, B
			< For BT-3200 Denim >
25	CSA3257101	1	NEEDLE BAR THREAD GUIDE, A
26	CSA3258001	1	N-BAR BUSH THREAD GUIDE, D
27	C152881001	1	NEEDLE COOLER ASSY
28	C012060636	1	SET SCREW, SOCKET (FT) M6X6
29	C152883000	1	FELT, 8X15,5
30	C152884001	1	NEEDLE COOLER THREAD GUIDE
31	C062670412	1	SCREW PAN SM3.57-40X4

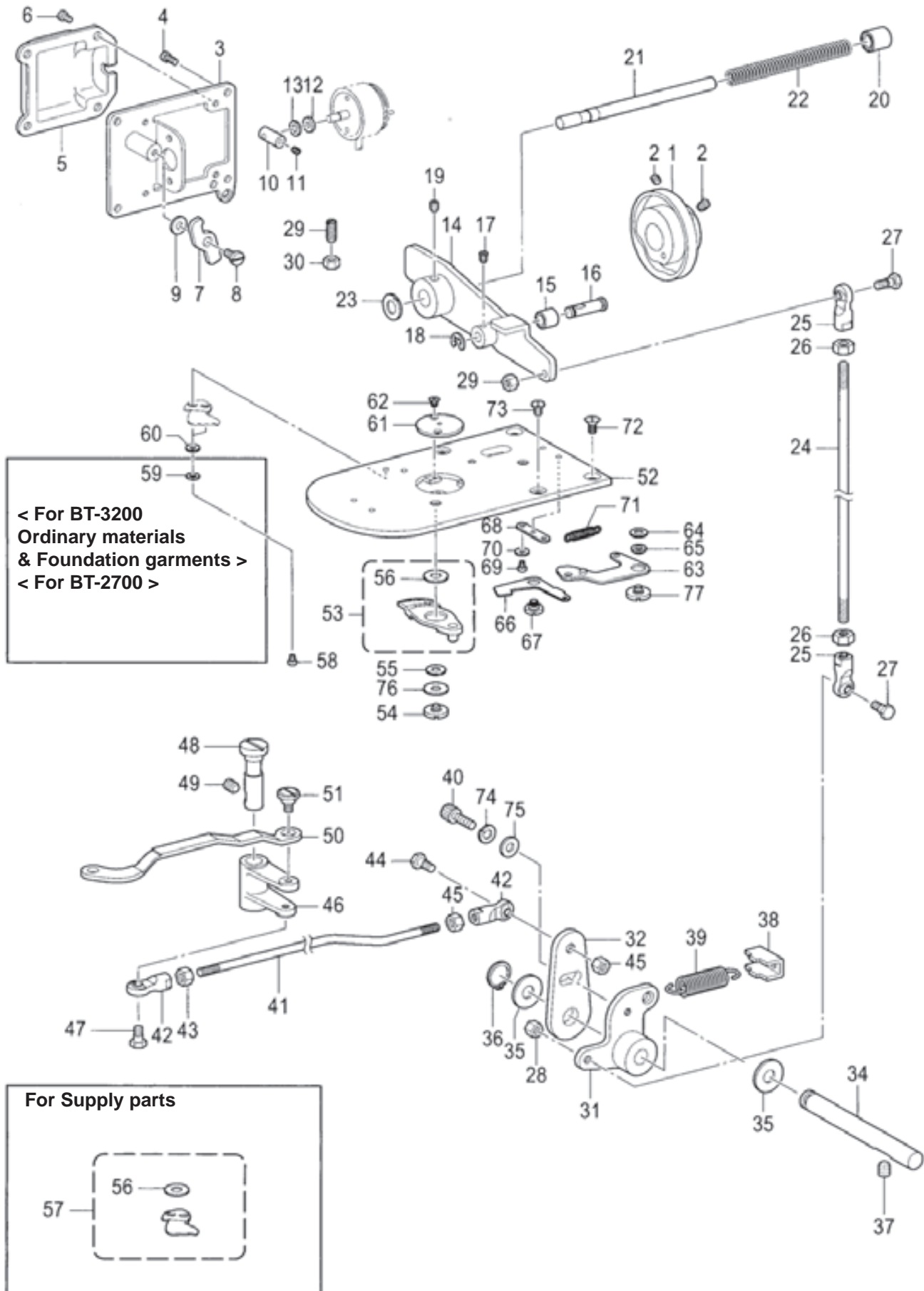
BOBBIN WINDER MECHANISM



BOBBIN WINDER MECHANISM

DET	PART NUMBER	QTY.	DESCRIPTION
1	CSA3289001	1	TOP COVER, BT-3200
2	CSA3290001	1	SHAFT, BW-LEVER
3	C012500536	1	SET SCREW, SOCKET (FT) M5X5
4	CSA3291001	1	BOBBIN WINDER LEVER
5	CSA4171001	1	SPRING HOOK
6	C152936001	1	PLATE SPRING
7	C152937001	1	WASHER
8	C062350616	1	SCREW, PAN M3.5X6
9	C159486001	1	WASHER
10	C048050342	1	RETAINING RING, E5
11	CSA3293001	1	STUD, B-WINDER CLAW
12	CSA1984001	1	BOBBIN PRESSER ARM
13	C062401216	1	SCREW, PAN M4X12
14	CSA3294001	1	BOBBIN PRESSER
15	CS23418002	1	SCREW, M4X5
16	CSA3295001	1	CLAW, B-WINDER
17	C012400436	2	SET SCREW, SOCKET (FT) M4X4
18	CS10438001	1	SPRING, TWIST
19	C048050342	2	RETAINING RING, E5
20	CSA3296001	1	BOBBIN WINDER SHAFT
21	CSA3297001	1	WHEEL, B-WINDER
22	C120448001	1	BOBBIN WINDER RUBBER BAND
23	C012400436	2	SET SCREW, SOCKET (FT) M4X4
24	C159486001	2	WASHER
25	CSA1988001	1	BOBBIN SUPPORT
26	CS10268001	1	SPRING
27	CSA3298001	1	STPPER SHAFT, B-WINDER
28	CSA3299001	1	KNIFE
29	C062500616	1	SCREW, PAN M5X6
30	C145446001	2	DISC, TENSION
31	C100401021	1	TENSION SPRING
32	CS31032001	1	TENSION NUT
33	CS12441001	1	WASHER
34	C012500536	1	SET SCREW, SOCKET (FT) M5X5
35	C062061016	6	SCREW, PAN M6X10
36	CSA3300001	1	DRIVINNG WHEEL, B-WINDER
37	CS23651001	2	SET SCREW, SOCKET (FT) M6X6
38	CSA1994101	1	BOBBIN WINDER TENSION ASSY

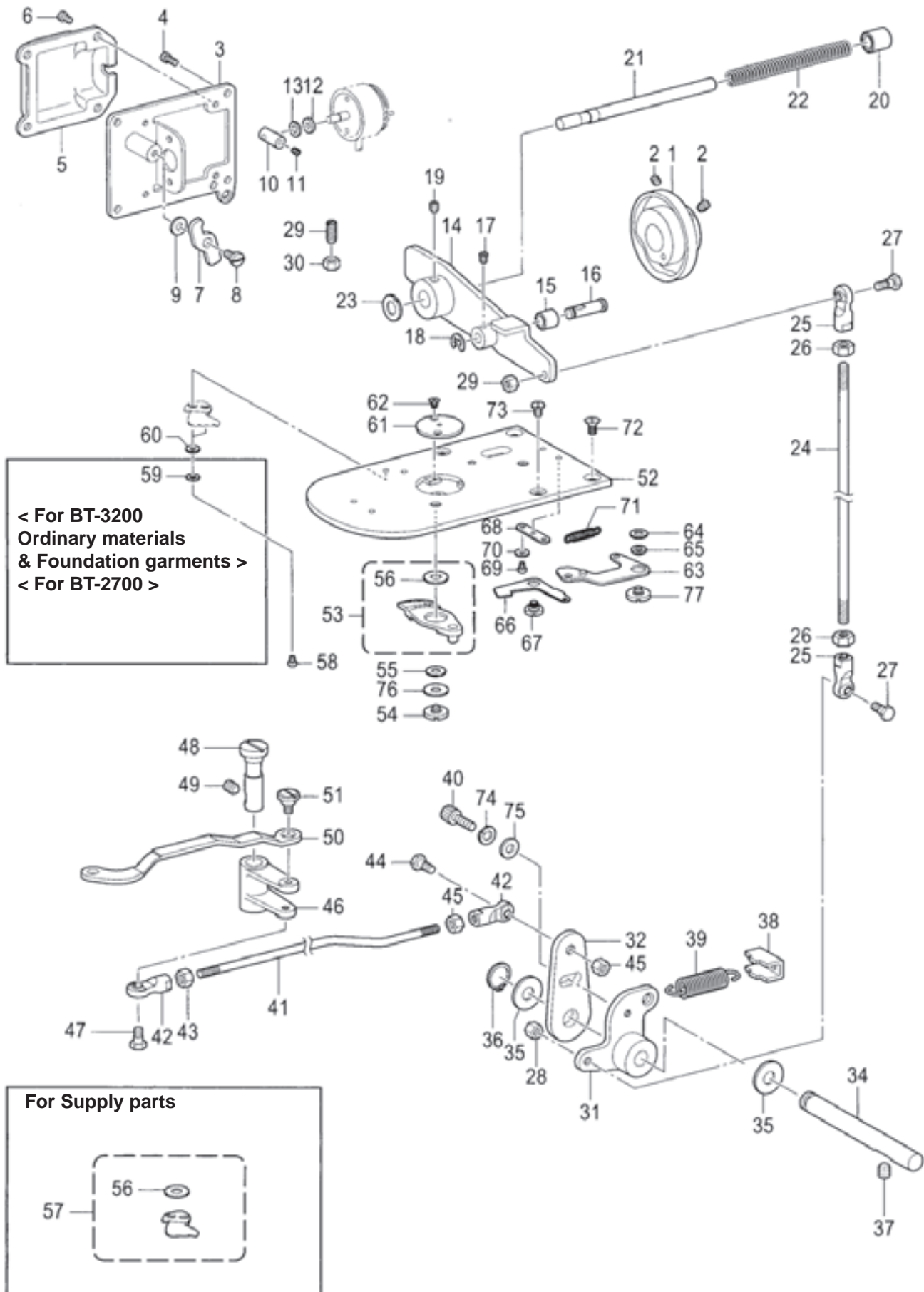
THREAD TRIMMER MECHANISM



THREAD TRIMMER MECHANISM

DET	PART NUMBER	QTY.	DESCRIPTION
1	CSA3301101	1	THREAD TRIMMER CAM
2	CS23651001	2	SET SCREW, SOCKET (FT) M6X6
3	CSA3304101	1	SETTING PLATE, SOLENOID
4	C062400816	4	SCREW, PAN M4X8
5	CSA3303001	1	TR-SOLENOID COVER
6	C060400516	4	SCREW, BIND M4X5
7	CSA3305001	1	PUSHING LEVER, DRIVING LEVER
8	CSA3306001	1	SHOULDER SCREW, 7-3
9	CS39690021	1	WASHER
10	CSA3307001	1	SOLENOID LEVER
11	C012400436	1	SET SCREW, SOCKET (FT) M4X4
12	C154599000	1	SOLENOID CUSHION
13	CS02652001	1	WASHER
14	CSA3309001	1	TR-DRIVING LEVER
15	CSA3310001	1	COLLAR, TR-TRIMMER
16	CSA3311001	1	COLLAR SHAFT
17	C012400436	1	SET SCREW, SOCKET (FT) M4X4
18	C048040342	1	RETAINING RING, E4
19	CS23651001	1	SET SCREW, SOCKET (FT) M6X6
20	C231071001	1	BUSH, 8X15
21	CSA3312001	1	GUIDE SHAFT
22	CSA3313101	1	SPRING, COMPRESSION
23	C154596000	1	CUSHION
24	CSA3315001	1	THREAD TRIMMER ROD V
25	CS32465001	2	BALL JOINT ASSY
26	C021060106	2	NUT, 1 M6
27	CS32462001	2	SHOULDER SCREW, B, M6
28	C021060306	2	NUT, 3 M6
29	CS25475001	1	SET SCREW, M6X19
30	C021060106	1	NUT, 1 M6
31	CSA4546001	1	THREAD TRIMMER LEVER V
32	CSA3317001	1	THREAD TRIMMER LEVER H
34	CSA3319101	1	SHAFT, TR-TRIMMER LEVER
35	CSA4545001	2	SPECER
36	C048080142	1	RETAINING RING EXTERNAL C8
37	C012060636	2	SET SCREW, SOCKET (FT) M6X6
38	CSA3320101	1	SPRING HOOK
39	CSA3321001	1	SPRING, EXTENSION
40	C018501232	1	BOLT, SOCKET M5X12
74	C028050246	1	WASHER SPRING 2-5
75	C146352002	1	WASHER, PLAIN 5
41	CSA3323001	1	THREAD TRIMMER ROD H
42	CS32465001	2	BALL JOINT ASSY
43	C021060106	2	NUT, 1 M6
44	CS32462001	1	SHOULDER SCREW, B, M6
45	C021060306	1	NUT, 3 M6
46	CSA3324001	1	MOVING KNIFE LEVER
47	CSA3325001	1	SHOULDER SCREW, 6.35-8
48	CSA3326001	1	SHAFT, M-KNIFE LEVER
49	C012060636	1	SET SCREW, SOCKET (FT) M6X6
50	CSA3327101	1	M-KNIFE CONNECTING PLATE
51	CSA4354001	1	SHOULDER SCREW, 6-1.8
52	CSA3655001	1	NEEDLE PLATE, SC

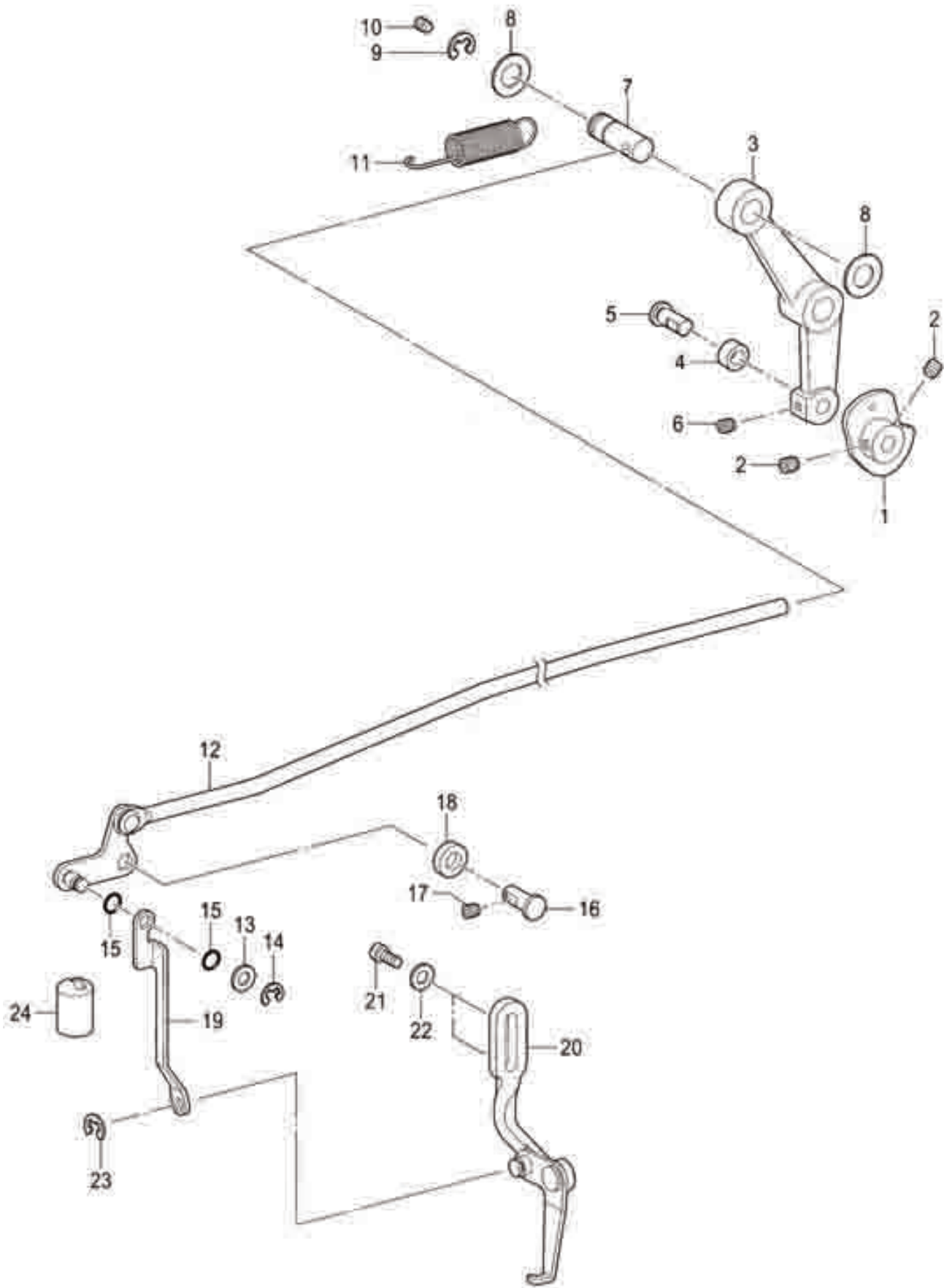
THREAD TRIMMER MECHANISM



THREAD TRIMMER MECHANISM

DET	PART NUMBER	QTY.	DESCRIPTION
			< For BT-3200
			Ordinary materials, Knitted materials & Foundation garments>
53	CSA6429001	1	MOVABLE KNIFE SET F-SC
56	CSA6397001	1	M-KNIFE SPACER T0.2
56	CSA3334001	1	M-KNIFE SPACER T0.3
56	CSA6398001	1	M-KNIFE SPACER T0.4
			< For BT-3200 Denim >
53	CSA6596001	1	MOVABLE KNIFE SET F
56	CSA6397001	1	M-KNIFE SPACER T0.2
56	CSA3334001	1	M-KNIFE SPACER T0.3
56	CSA6398001	1	M-KNIFE SPACER T0.4
			< For BT-2700 >
53	CSA6432001	1	MOVABLE KNIFE SET F-SCS
56	CSA6397001	1	M-KNIFE SPACER T0.2
56	CSA3334001	1	M-KNIFE SPACER T0.3
56	CSA6398001	1	M-KNIFE SPACER T0.4
54	CSA4518001	1	MOVABLE KNIFE SHOULDER SCREW
76	CSA4519001	1	THRUST WASHER
55	CS00705001	1	MOVABLE KNIFE COLLAR
			< For BT-3200
			Ordinary materials, Knitted materials & Foundation garments>
			< For BT-2700 >
57	CSA6431001	1	FIXED KNIFE SET F-SC
56	CSA6397001	1	M-KNIFE SPACER T0.2
56	CSA3334001	1	M-KNIFE SPACER T0.3
56	CSA6398001	1	M-KNIFE SPACER T0.4
			< For BT-3200 Denim >
57	CSA6597001	1	FIXED KNIFE SET F
56	CSA6397001	1	M-KNIFE SPACER T0.2
56	CSA3334001	1	M-KNIFE SPACER T0.3
56	CSA6398001	1	M-KNIFE SPACER T0.4
58	C062300416	2	SCREW, PAN M3X4
			< For BT-3200
			Ordinary materials, Knitted materials & Foundation garments>
			< For BT-2700 >
59	C028030246	2	WASHER, SPRING 2-3
60	C025030236	2	WASHER, PLAIN M 3
61	C* P. 53	1	NEEDLE HOLE PLATE
62	C100360003	2	SCREW
63	CSA3337001	1	THREAD NIPPER ASSY D
64	CSA4330001	1	SPACER, THREAD NIPPER
65	CSA4329001	1	COLLAR, THREAD NIPPER
66	CSA3341001	1	THREAD NIPPER U
77	CSA3333001	1	THREAD NIPPER SHOULDER SCREW
67	CSA3342001	1	SHOULDER SCREW, 6-0.9
68	CSA3343001	1	PLATE, SPRING HOOK
69	C062300416	2	SCREW, PAN M3X4
70	C025030236	2	WASHER, PLAIN M 3
71	CSA3344001	1	SPRING, EXTENSION
72	CS25310101	2	SCREW, FLAT M4
73	CSA3538001	2	SCREW, M4X8

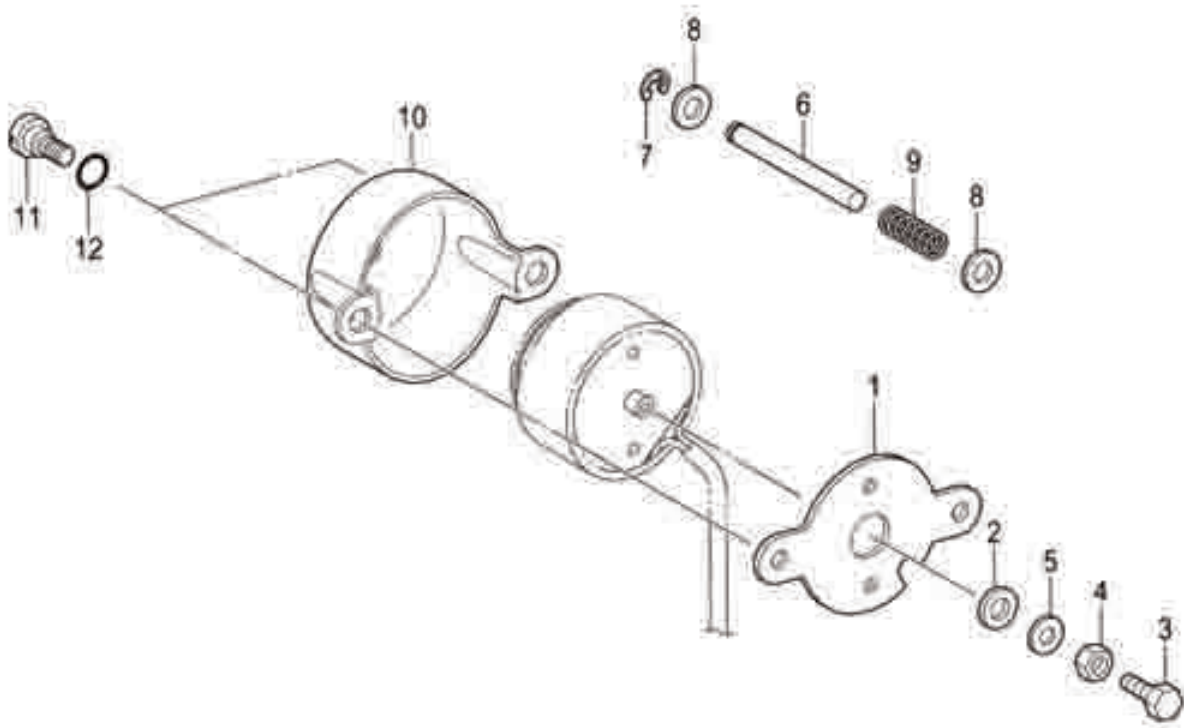
THREAD WIPER MECHANISM



THREAD WIPER MECHANISM

DET	PART NUMBER	QTY.	DESCRIPTION
1	CSA3447001	1	THREAD WIPER CAM
2	C012060636	2	SET SCREW, SOCKET (FT) M6X6
3	CSA3448001	1	DRIVING LEVER, THREAD WIPER
4	CSA3449001	1	THREAD WIPER ROLLER
5	CSA3441001	1	W-CLAMP LIFTER ROLLER SHAFT
6	C012500536	1	SET SCREW, SOCKET (FT) M5X5
7	CSA3451001	1	THREAD WIPER ROD SHAFT
8	CS20356001	2	WASHER, PLAIN 10
9	C048080342	1	RETAINING RING, E8
10	C012500536	1	SET SCREW, SOCKET (FT) M5X5
11	CSA3446001	1	SPRING
12	CSA3452001	1	THREAD WIPER ROD ASSY
13	C025050134	1	WASHER, PLAIN S 5
14	C048040342	1	RETAINING RING, E4
15	C081005070	2	O RING, P5
16	CSA3441001	1	W-CLAMP LIFTER ROLLER SHAFT
17	C012500536	1	SET SCREW, SOCKET (FT) M5X5
18	CS38033002	1	COLLAR, 13
19	CSA3458001	1	CONNECTING PLATE
20	CSA3459101	1	THREAD WIPER ARM ASSY
21	C062401006	2	SCREW, PAN M4X10
22	C025040236	2	WASHER, PLAIN M 4
23	C048040342	1	RETAINING RING, E4
24	CSA3464001	1	OIL CAP

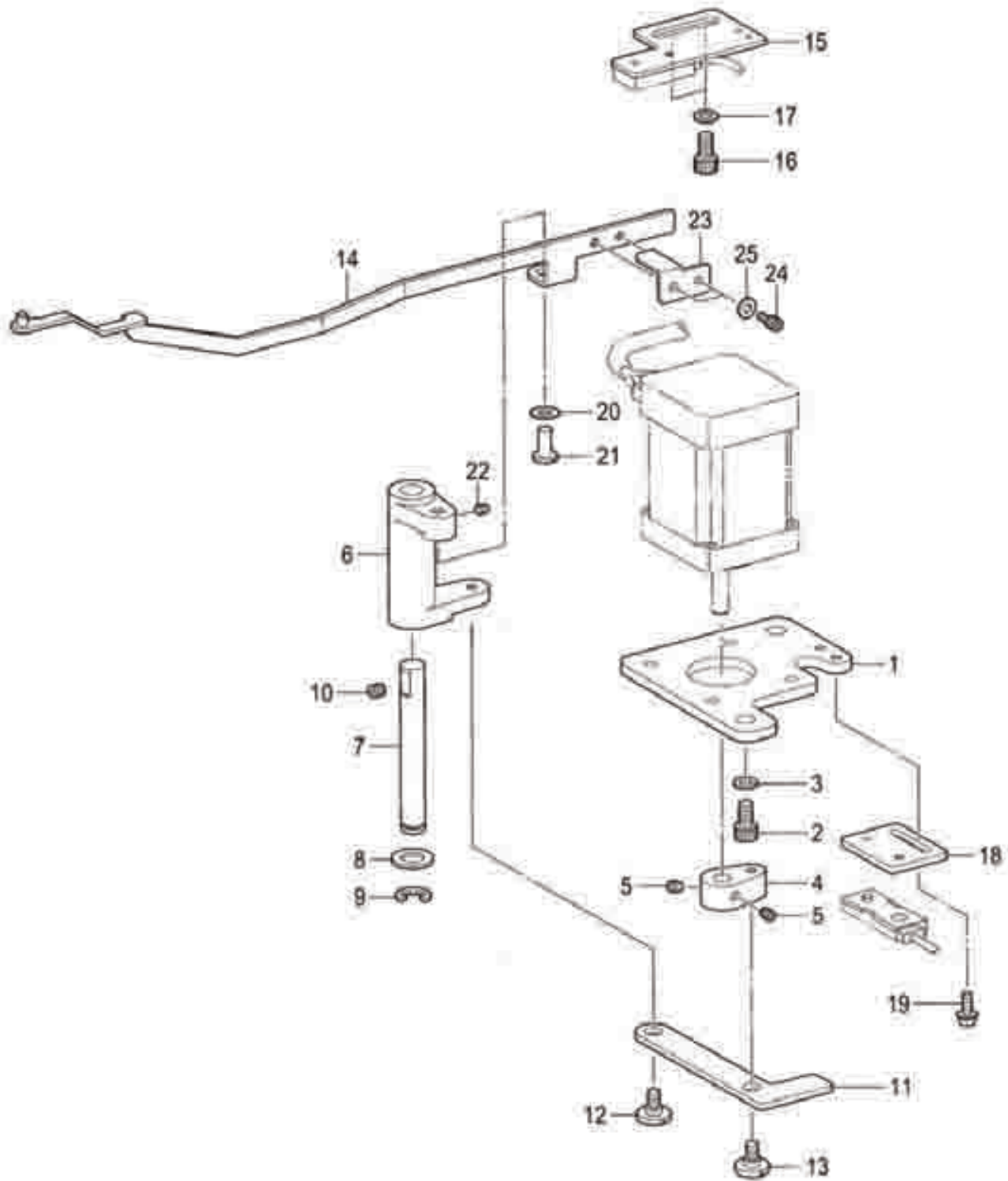
TENSION RELEASE MECHANISM



TENSION RELEASE MECHANISM

DET	PART NUMBER	QTY.	DESCRIPTION
1	CSA3345001	1	SETTING PLATE, SOLENOID
2	C154599000	1	SOLENOID CUSHION
3	C017401015	1	BOLT, M4X10
4	C021400306	1	NUT, 3 M4
5	C102707002	1	WASHER
6	CSA3347001	1	TENSION RELEASE BAR
7	C048040342	1	RETAINING RING, E4
8	C025050236	2	WASHER, PLAIN M 5
9	CSA3348001	1	SPRING, COMPRESSION
10	CSA3349001	1	SOLENOID COVER
11	CSA3306001	2	SHOULDER SCREW, 7-3
12	C081007070	2	O RING P7

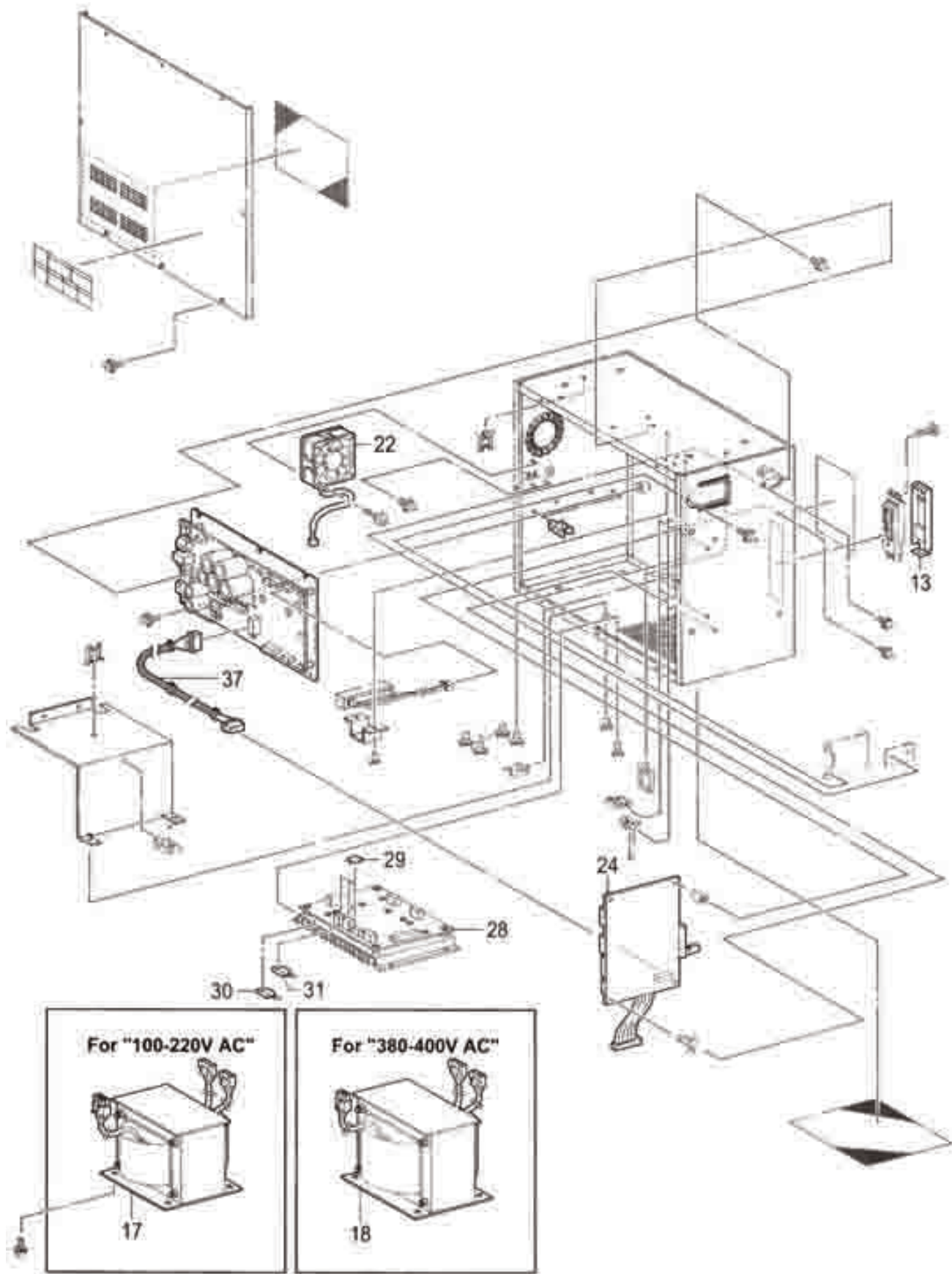
THREAD NIPPER MECHANISM



THREAD NIPPER MECHANISM

DET	PART NUMBER	QTY.	DESCRIPTION
1	CSA3351001	1	SETTING PLATE, TN-MOTOR
2	C018061236	2	BOLT, SOCKET M6X12
3	C155559001	2	WASHER, PLAIN M 6
4	CSA3352101	1	TN-MOTOR LEVER
5	C012400436	2	SET SCREW, SOCKET (FT) M4X4
6	CSA3353201	1	TN-LEVER
7	CSA3354001	1	TN-LEVER SHAFT
8	C153596001	1	WASHER
9	C048070342	1	RETAINING RING, E7
10	C012060636	1	SET SCREW, SOCKET (FT) M6X6
11	CSA3355001	1	TN-CONNECTING PLATE B
12	CSA4461001	1	SHOULDER SCREW, 6-3.5
13	CSA4354001	1	SHOULDER SCREW, 6-1.8
14	CSA3357101	1	TN-CONNECTING PLATE ASSY F
23	CSA5137001	1	TN-SENSOR DOG
24	C018300636	2	BOLT SOCKET M3X6
25	C025030236	2	WASHER PLAIN M 3
15	CSA5138001	1	SETTING PLATE B, TN-SENSOR
16	C018061236	2	BOLT, SOCKET M6X12
17	C155559001	2	WASHER, PLAIN
18	CSA3361001	1	SETTING PLATE F, TN-SENSOR
19	C0A4300805	2	SCREW, PAN (S/P WASHER) M3X8
20	C155559001	1	WASHER, PLAIN
21	CS10202201	1	LEVER SHAFT
22	C012400436	1	SET SCREW SOCKET (FT) M4X4

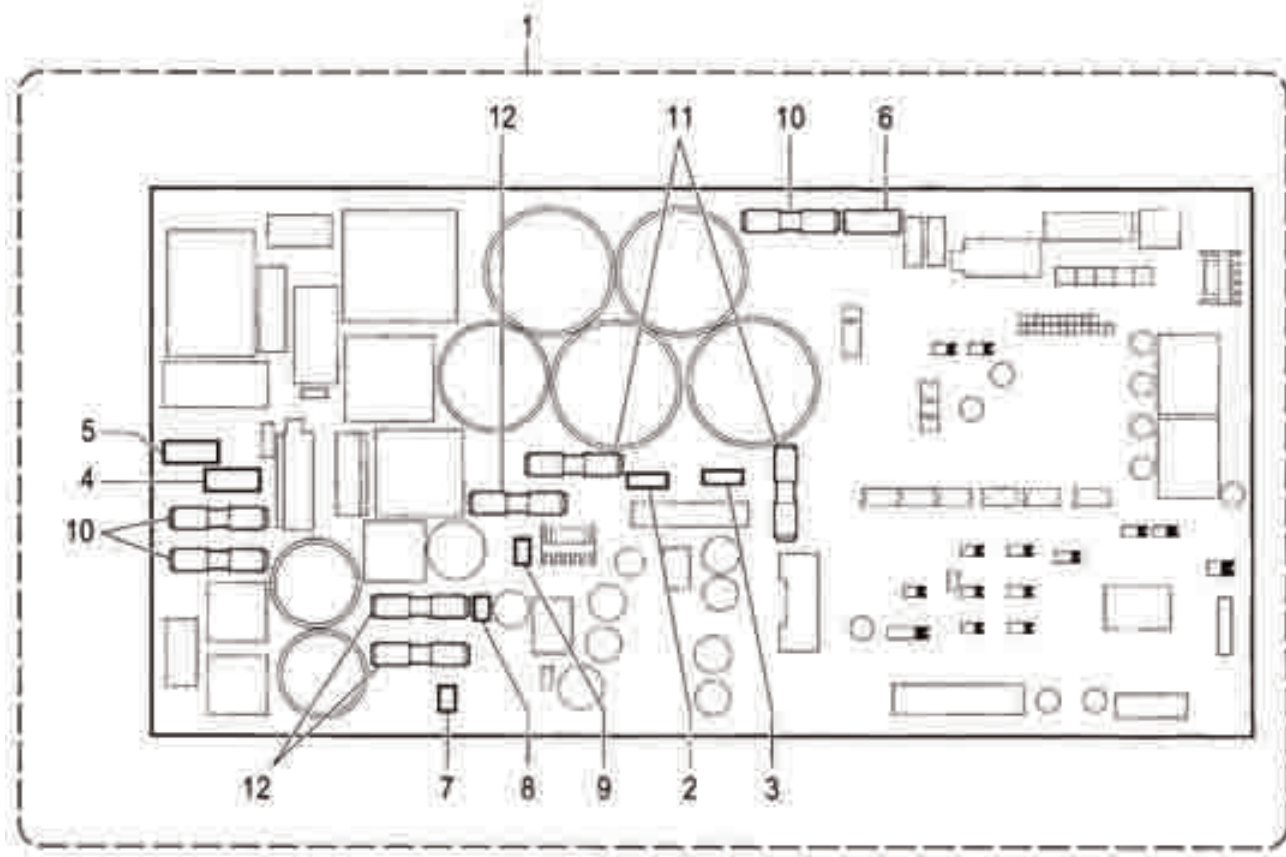
CONTROL BOX MECHANISM



CONTROL BOX MECHANISM

DET	PART NUMBER	QTY.	DESCRIPTION
13	CSA6364001	1	CF CAP ASSY < For "100-220V AC">
17	CSA3720001	1	TRANSFORMER LOW VOLTAGE < For "380-400V AC">
18	CSA3808001	1	TRANSFORMER HIGH VOLTAGE
22	CSA3797001	1	DC-FAN MOTOR ASSY
24	CSA3724101	1	PCB ASSY MAIN
28	CSA3739301	1	PCB ASSY PMD
29	CSA3744001	3	TRANSISTOR, FET:FS10ASJ-2
30	CSA3722001	1	TRANSISTOR, FET:FX20KMJ-2
31	C-S49484000	1	TRANSISTOR, FET:FS10KMJ-2
37	CSA3806001	1	HARNESS, MAIN POWER SUPPLY

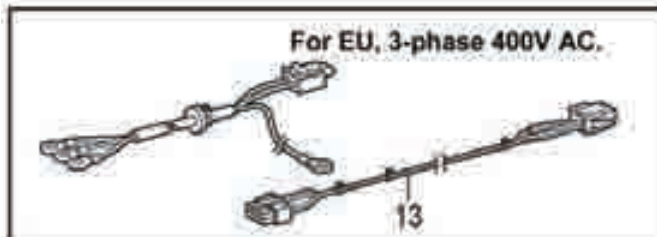
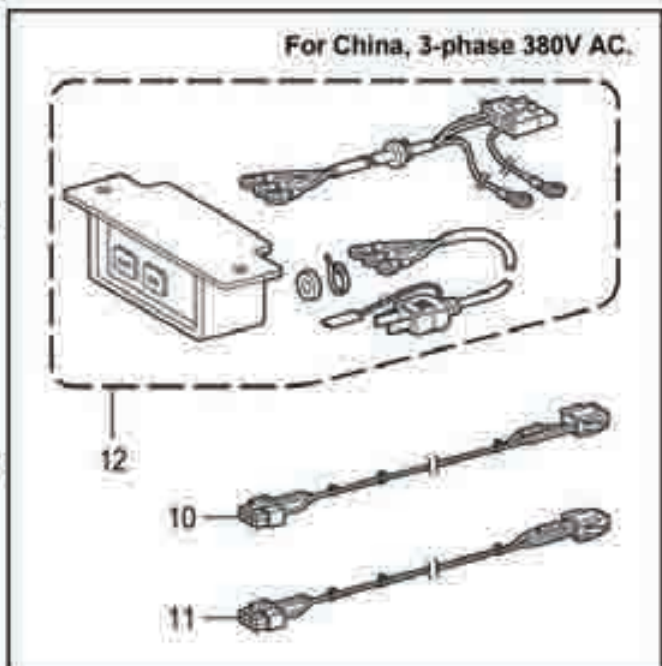
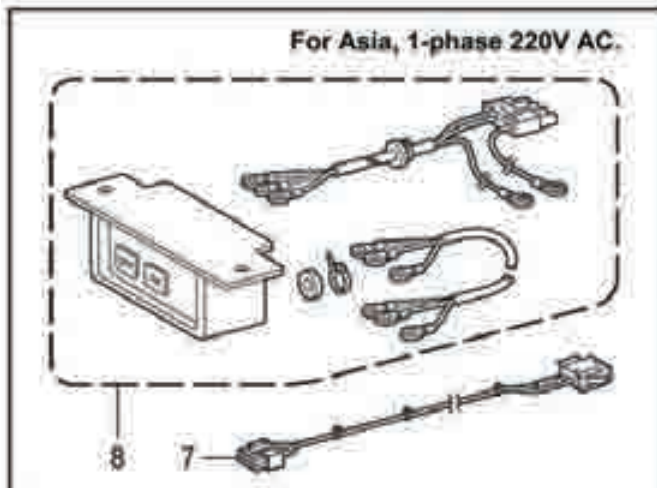
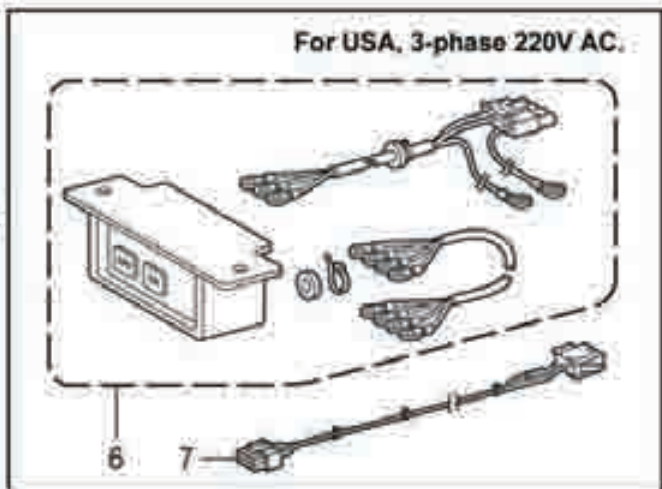
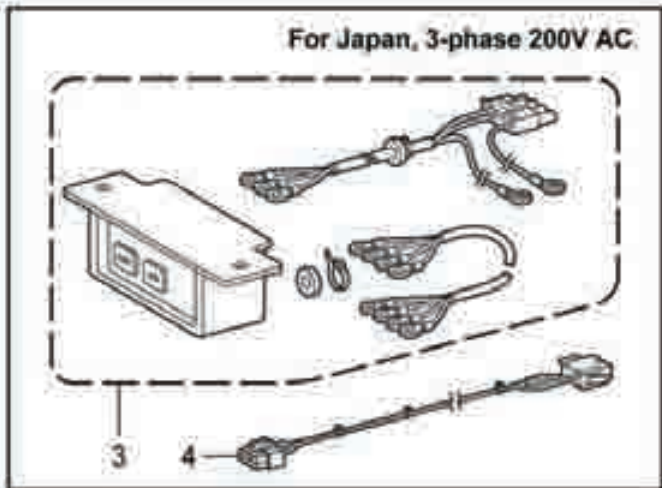
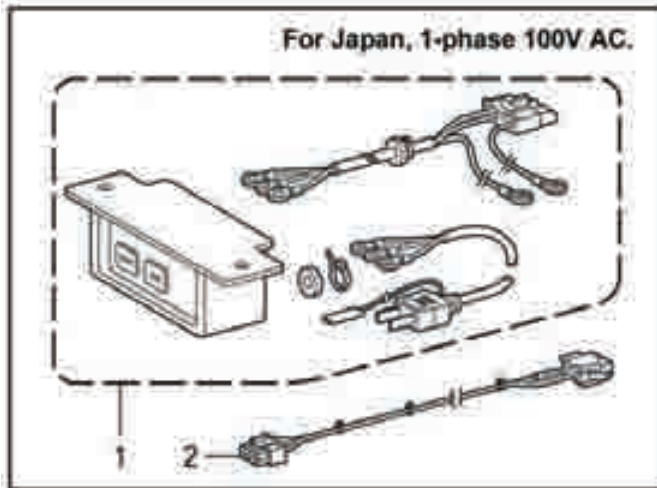
CONTROL BOX (PCB) MECHANISM



CONTROL BOX (PCB) MECHANISM

DET	PART NUMBER	QTY.	DESCRIPTION
1	CSA3755201	1	PCB ASSY POWER SUPPLY MOTOR
2	CSA3765001	1	VARISTOR V10D101
3	CSA3786001	1	VARISTOR V10D241
4	CSA3767001	1	VARISTOR V14D511
5	CSA3762001	1	VARISTOR V14D911
6	CSA3768001	1	VARISTOR V14D561
7	CSA3769001	1	VARISTOR V5D121
8	CSA3770001	1	VARISTOR V5D330
9	CSA3771001	1	VARISTOR V5D820
10	CSA3794001	3	G FUSE S 15A
11	CSA3795001	2	G FUSE S 6A
12	C616167001	3	G FUSE S 3A

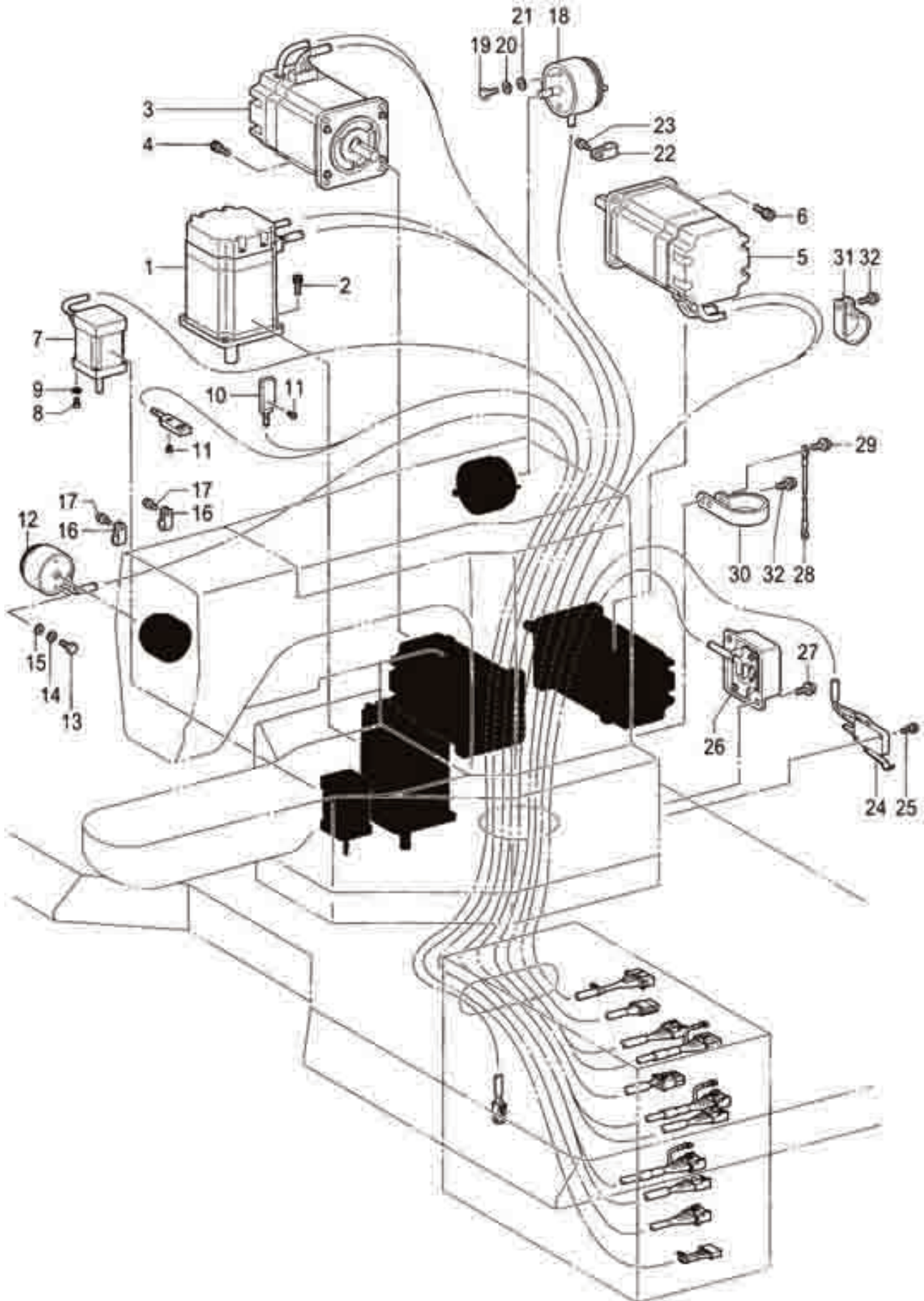
POWER SWITCH MECHANISM



POWER SWITCH MECHANISM

DET	PART NUMBER	QTY.	DESCRIPTION
1	CSA3813001	1	< For Japan, 1-phase 100V AC.> POWER SUPPLY SWITCH ASSY, 1P-JP
2	CSA3822001	1	VOLTAGE SELECT HARNESS 100V
3	CSA3819001	1	< For Japan, 3-phase 200V AC.> POWER SUPPLY SWITCH ASSY, 3P-JP
4	CSA3825001	1	VOLTAGE SELECT HARNESS 200V
5	CSA3823001	1	< For USA, 1-phase 110V AC.> VOLTAGE SELECT HARNESS 110V
6	CSA3816001	1	< For USA, 3-phase 220V AC.> POWER SUPPLY SWITCH ASSY, 3P-L
7	CSA3812001	1	VOLTAGE SELECT HARNESS 220V
8	CSA3809001	1	< For Asia, 1-phase 220V AC.> POWER SUPPLY SWITCH ASSY, 1P
7	CSA3812001	1	VOLTAGE SELECT HARNESS 220V
9	CSA3826001	1	< For Asia, 1-phase 240V AC.> VOLTAGE SELECT HARNESS 240V
7	CSA3812001	1	< For China, 1-phase 220V AC.> VOLTAGE SELECT HARNESS 220V
10	CSA3827001	1	< For China, 3-phase 380V AC.> VOLTAGE SELECT HARNESS 380V
11	CSA3789101	1	VOLTAGE SELECT HARNESS H220V
12	CSA4510001	1	POWER SUPPLY SWITCH ASSY, 3P-H
13	CSA3828001	1	< For Europe, 3-phase 400V AC.> VOLTAGE SELECT HARNESS 400V
14	CSA3824001	1	< For Canada, 1-phase 120V AC.> VOLTAGE SELECT HARNESS 120V

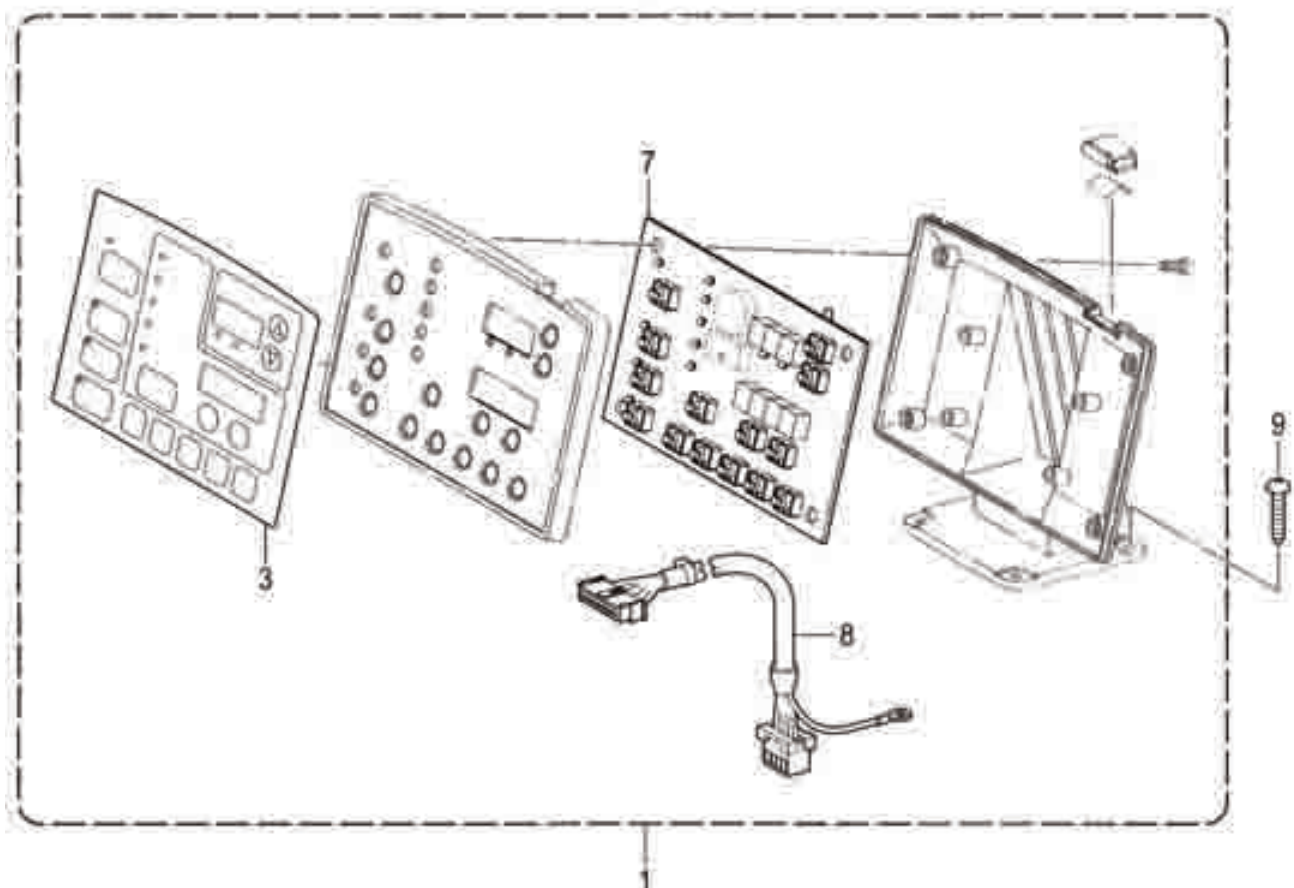
POWER SUPPLY EQUIPMENT MECHANISM



POWER SUPPLY EQUIPMENT MECHANISM

DET	PART NUMBER	QTY.	DESCRIPTION
1	CSA3465101	1	PULSE MOTOR ASSY.X
2	C018401036	4	BOLT, SOCKET M4X10
3	CSA3469101	1	PULSE MOTOR ASSY.Y
4	C018400836	4	BOLT, SOCKET M4X8
5	CSA3472101	1	PULSE MOTOR ASSY.P
6	C018401036	4	BOLT, SOCKET M4X10
7	CSA4127001	1	PULSE MOTOR ASSY.THREAD CATCH
8	C062300816	4	SCREW, PAN M3X8
9	C028030246	4	WASHER, SPRING 2-3
10	CSA3477001	1	HOME POSITION SENSOR THREAD-C
11	C062300816	2	SCREW, PAN M3X8
12	CSA4347001	1	TENSION RELEASE SOLENOID,ASSY
13	C017400802	2	BOLT, M4X8
14	C028040246	2	WASHER, SPRING 2-4
15	C025040236	2	WASHER, PLAIN M4
16	C149547000	2	CORD HOLDER, 4N
17	C0A5401006	2	SCREW, PAN (S/P WASHER) M4X10
18	CSA4348001	1	THREAD TRIMMER SOLENOID,ASSY
19	C017400802	2	BOLT, M4X8
20	C028040246	2	WASHER, SPRING 2-4
21	C025040236	2	WASHER, PLAIN M4
22	C146202000	1	CORD HOLDER, 6N
23	C0A5401006	2	SCREW, PAN (S/P WASHER) M4X10
24	CSA3481001	1	SWITCH ASSY, MACHINE HEAD
25	C0A5301605	2	SCREW, PAN (S/P WASHE) M3X16
26	CSA3523101	1	HEAD DETECTOR UNIT, ASSY
27	C0A5401006	2	SCREW, PAN (S/P WASHER) M4X10
28	CSA3488001	1	GROUND WIRE, 350
29	C0A5401006	2	SCREW, PAN (S/P WASHER) M4X10
30	CS11817000	1	CLAMP, NK-18N
31	C554482000	1	CORD HOLDER, #12
32	C0A5401006	2	SCREW, PAN (S/P WASHER) M4X10

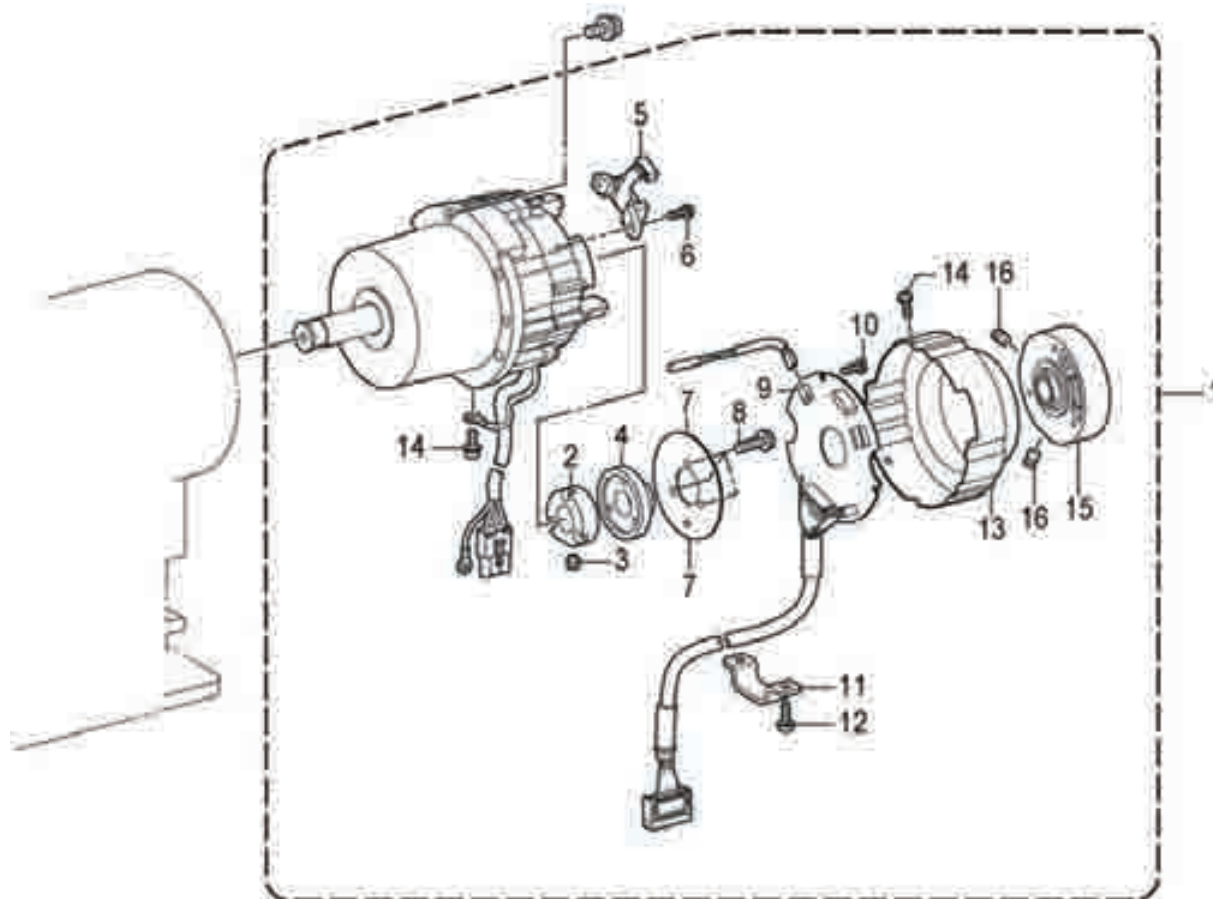
OPERATION PANEL MECHANISM



OPERATION PANEL MECHANISM

DET	PART NUMBER	QTY.	DESCRIPTION
1	CSA3829001	1	OPERATION PANEL ASSY
3	CSA3831001	1	PANEL SHEET
7	CSA3833101	1	PANEL PCB ASSY
8	CSA3839001	1	PANEL HARNESS
9	C0B0452006	4	WOOD SCREW ROUND M4.5X20

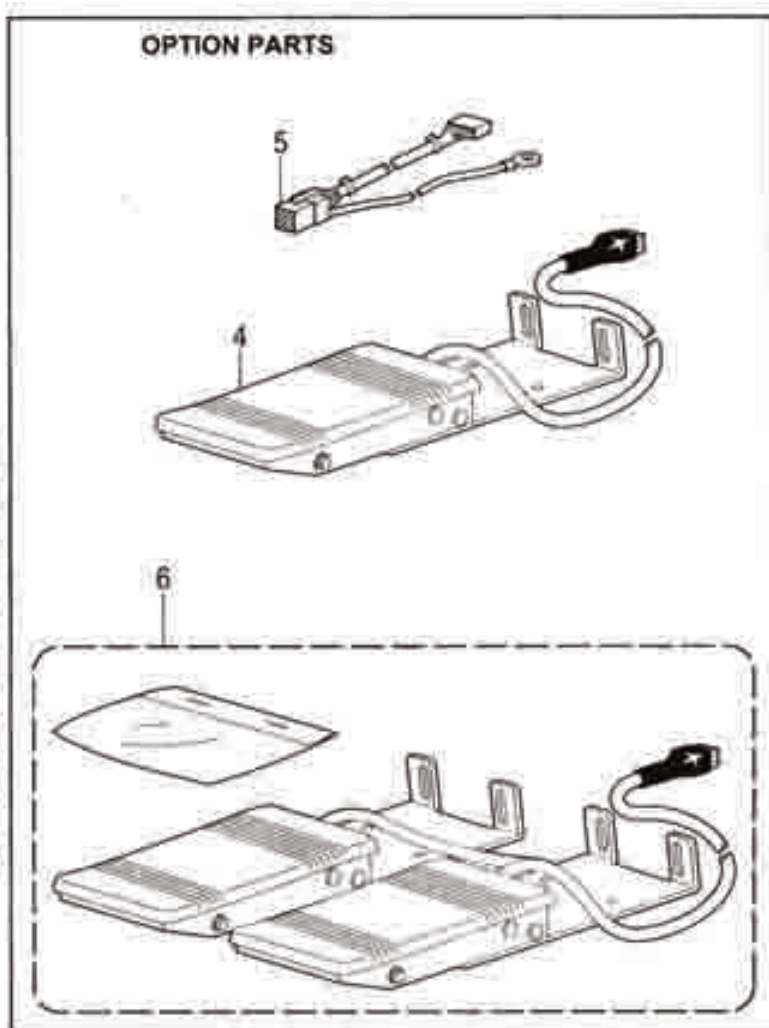
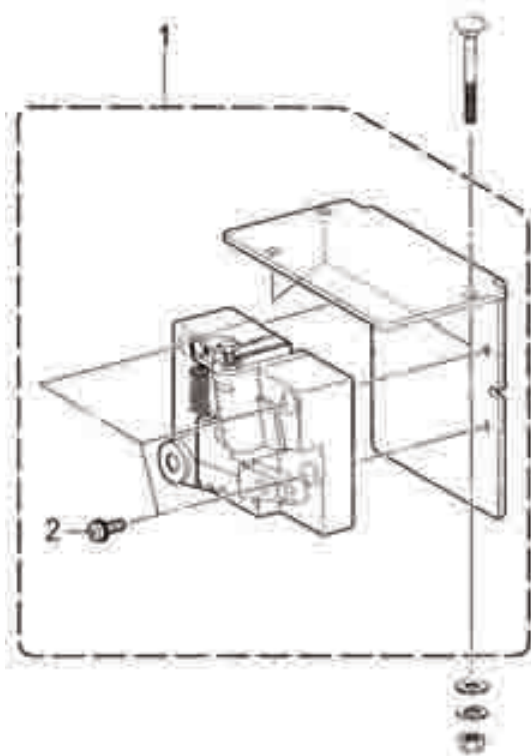
MOTOR MECHANISM



MOTOR MECHANISM

DET	PART NUMBER	QTY.	DESCRIPTION
1	CJ80991001	1	MOTOR ASSY, CDD-BT-3200
2	CJ03955001	1	DRUM CDD
3	C014400832	1	SET SCREW, SOCKET (CP) M4X6
4	CJ03956001	1	MAGNET 180P36
5	CJ03957001	1	MR SENSOR ASSY 180P
6	C0A4300805	1	SCREW, PAN (S/P WASHER) M3X5
7	CJ03958001	1	SHIELD PLATE CDD
8	C0A4261005	3	SCREW, PAN (S/P WASHE) M2.6X10
9	CJ04488001	1	ENC PCB ASSY, BT-3200#2
10	C0A5300606	3	SCREW, PAN (S/P WASHER) M3X5
11	CJ04230001	1	CORD HOLDER, CDD-HT
12	C0A4401005	3	SCREW, PAN (S/P WASHE) M4X10
13	CJ04388001	1	ENCODER COVER, BT-3200
14	C0A4300805	3	SCREW, PAN (S/P WASHER) M3X5
15	CJ04303001	1	PULLEY HOLDER ASSY, BT-3200
16	C014500632	2	SET SCREW, SOCKET (CP) M5X6

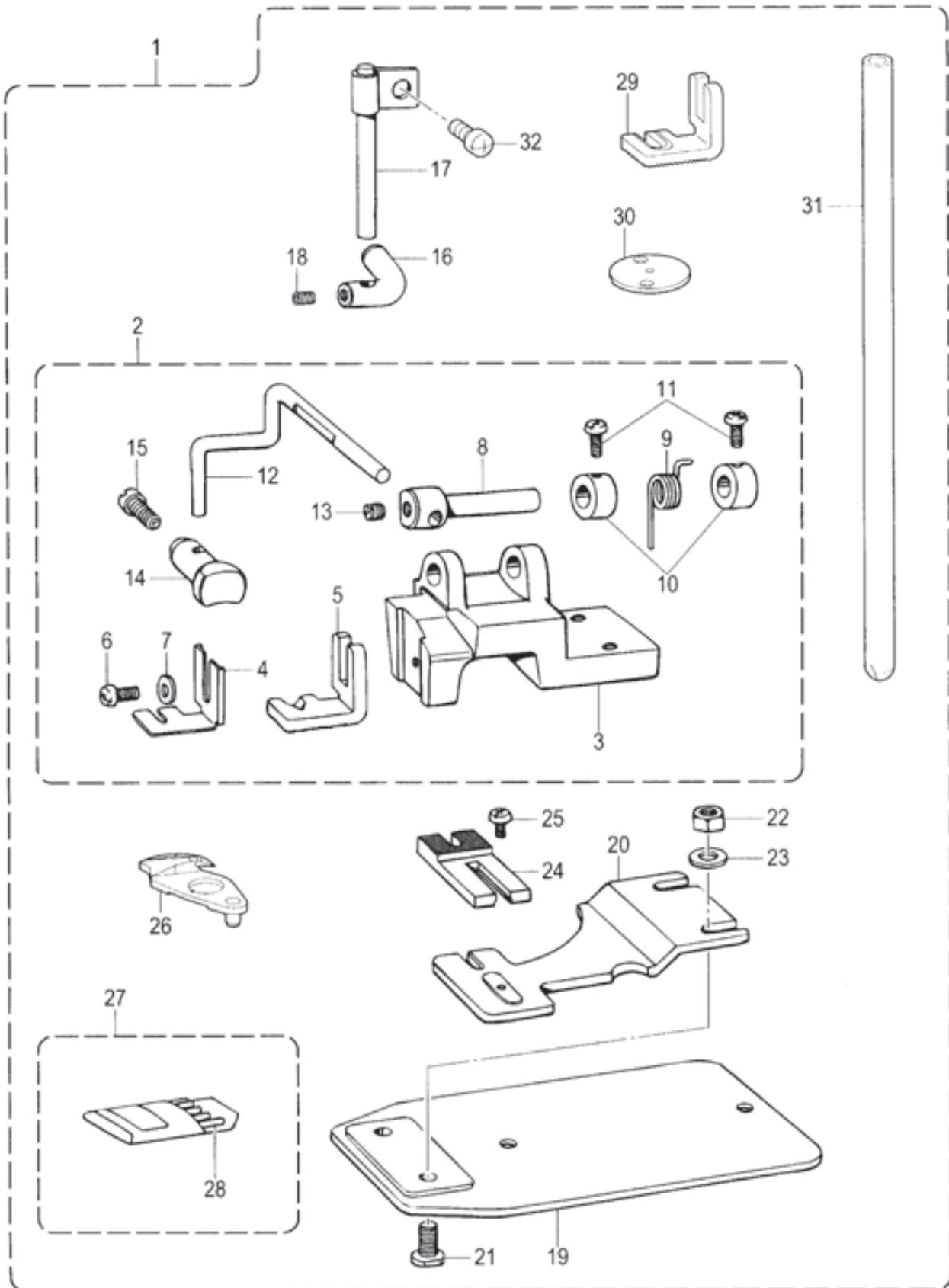
FOOT SWITCH PEDAL MECHANISM



FOOT SWITCH PEDAL MECHANISM

DET	PART NUMBER	QTY.	DESCRIPTION
1	CSA3519101	1	TREADLE UNIT, A ASSY
2	C0A4501005	3	SCREW, PAN (S/P WASHER) M5X10
			"OPTION PARTS"
5	CSA3784001	1	CONVERSION HARNESS, FOOT SW
4	CS49668101	1	2-STEP FOOT SWITCH ASSY
6	CS51846101	1	2-PEDAL FOOT SWITCH SET, 3

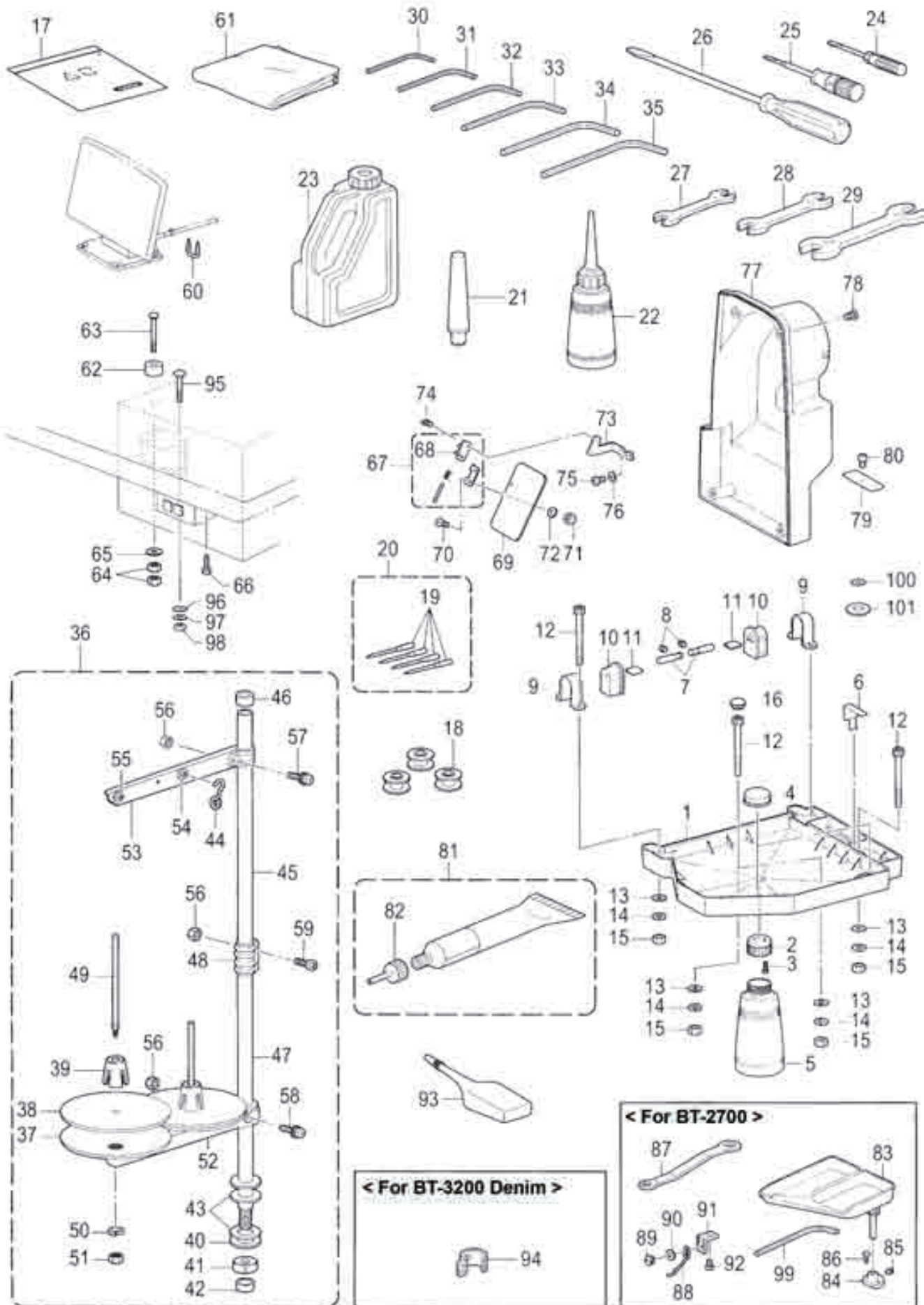
AUXILIARY DEVICE (OPTION PARTS FOR BT-2700)



AUXILIARY DEVICE (OPTION PARTS FOR BT-2700)

1	CSA6492001	1	SHANK DEVICE SET BT-2700
2	C142689309	1	SHANK BUTTON CLAMP BRAC. ASSY
3	C154684009	1	SHANK BUTTON CLAMP BRACKET
4	C142677101	1	BUTTON CLAMP, A
5	C142678101	1	BUTTON CLAMP, B
6	C062670812	1	SCREW PAN SM3.57-40X8
7	C102707002	1	WASHER
8	C142681001	1	BUTTON CLAMP STUD
9	C154685001	1	SPRING
10	C142706001	2	SET SCREW COLLAR
11	C062670712	2	SCREW PAN SM3.57-40X7
12	C154686001	1	BUTTON CLAMP ARM
13	C013719412	1	SET SCREW, (CP) SM4.76
14	C142680001	1	BUTTON CLAMP
15	C120990001	1	SET SCREW, (CP) SM4.37-40X8
16	C154695001	1	CLAMP OPENER
17	C154696001	1	STUD
18	C014680432	1	SET SCREW SOCKET SM4.37-40X4
19	C154697001	1	FEED PLATE BASE
20	C156336101	1	SHANK BUTTON FEED PLATE
21	C154713001	2	SCREW, SM4.76
22	C021710212	2	NUT 2 SM4.76-32
23	C025710232	2	WASHER PLAIN M SM4.76
24	C142686101	1	CLOTH RECEIVER, S
25	C060670512	1	SCREW BIND SM3.57-40X5
26	CSA6493001	1	MOVABLE KNIFE F-SCL ASSY
27	CSA6505014	1	NEEDLE 10PIECE ASSY SA6505
28	CSA6506014	10	NEEDLE TQX3
29	CS03641101	1	BUTTON CLAMP, D
30	CSA3645201	1	NEEDLE HOLE PLATE 2.2SC
31	CSA8504001	1	NEEDLE BAR B
32	C062500616	1	SCREW PAN M5X6

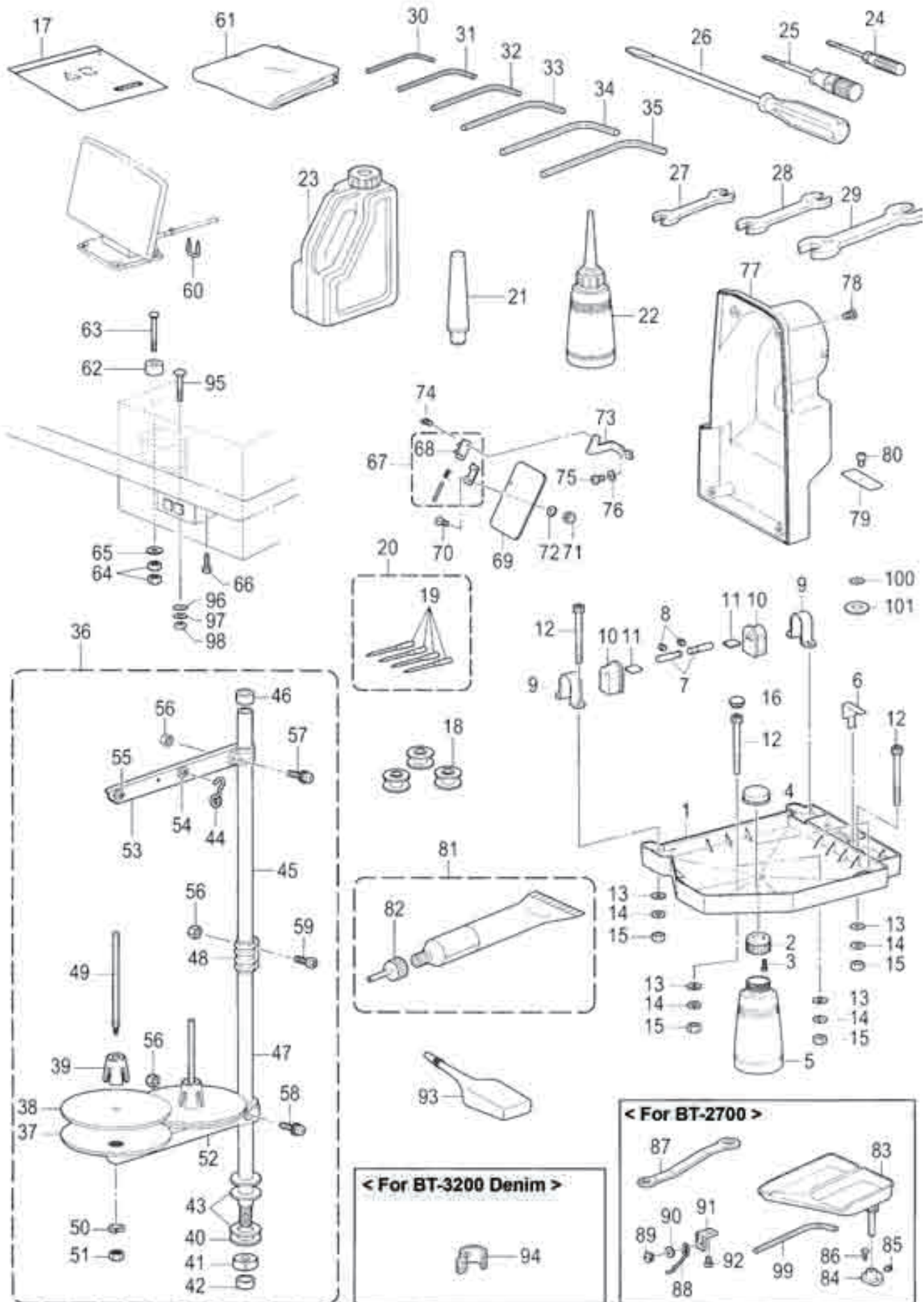
ACCESSORIES



ACCESSORIES

DET	PART NUMBER	QTY.	DESCRIPTION
1	CSA3383001	1	OIL PAN
2	C 154467001	1	DUST OILER
3	C037301215	2	TAPPING SCREW, PAN V M3X12
4	CSA3540001	2	RUBBER CUSHION
5	C 114486002	1	OILER
6	CSA3820001	1	SPRING HEAD
7	CSA3384001	2	PIN
8	C012060636	2	SET SCREW, SOCKET (FT) M6X6
9	CSA3385001	2	HINGE HOLDER
10	CSA3395001	2	RUBBER CUSHION
11	CSA3392001	2	SPACER
12	CSA3387001	7	BOLT, SOCKET M6X75
13	C025060336	7	WASHER, PLAIN L 6
14	C028060246	7	WASHER, SPRING 2-6
15	C021060106	7	NUT, 1 M6
16	CS32264001	2	RUBBER CAP, 11.5
17	C122991001	1	ACCESSORY BAG
18	C* P. 53	3	BOBBIN
19	C* P. 54	4	NEEDLE
20	C* P. 54	1	NEEDLE 4PIECE ASSY
21	CSA3380001	1	HEAD REST
22	C114483002	1	OILER ASSY
23	CS55663001	1	OIL TANK ASSY
24	C142443001	1	SCREW-DRIVER, 1.9X52
25	C118837001	1	SCREW-DRIVER, 3.4X70
26	C101572101	1	SCREW-DRIVER, 5.5X190
27	C107779001	1	WRENCH, 6X7
28	C100887001	1	WRENCH, 8X9
29	C107780001	1	WRENCH, 10X12
30	CS07783001	1	HEXAGONAL WRENCH, 1.5
31	C142002001	1	HEXAGONAL WRENCH, 2
32	C154125001	1	HEXAGONAL WRENCH, 2.5
33	C142721001	1	HEXAGONAL WRENCH, 3
34	C118064001	1	HEXAGONAL WRENCH, 4
35	C150335001	1	HEXAGONAL WRENCH, 5
36	CS02763502	1	COTTON STAND ASSY, 2DR
37	CS51283001	2	SPOOL STAND BASE
38	C150182000	2	SPOOL MAT
39	CS51282101	2	SPOOL CUSHION
40	C150206002	1	WASHER, PLAIN 16
41	CS38648001	1	NUT, U5/8-28
42	C150174000	1	COLUMN CAP
43	CS01005000	2	RUBBER WASHER
44	CS02747101	1	SPRING
45	C150172003	1	COLUMN PIPE
46	C150174000	1	COLUMN CAP
47	C156112003	1	COLUMN PIPE, D
48	C150173003	1	COLUMN JOINT
49	C150179002	2	SPOOL SHAFT, B
50	C028050246	2	WASHER, SPRING 2-5
51	C021500106	2	NUT, 1 M5
52	CS02778002	1	SPOOL HOLDER, 2
53	CS02787002	1	THREAD HANGER, 2
54	C150183000	2	THREAD HANGER BASE
55	C142990001	2	THREAD BUSH
56	C021500106	4	NUT, 1 M5
57	CS37038001	1	SCREW, PAN(S/P WASHER) M5X14
58	CS37037001	1	SCREW, PAN (S/P WASHER) M5X32
59	C062501406	2	SCREW, PAN M5X14
60	C200190001	7	STAPLE, 10X20

ACCESSORIES













ACCESSORIES



DET	PART NUMBER	QTY.	DESCRIPTION
61	C144226001	1	HEAD COVER
			<Setting the control box>
62	CS33006001	4	MOTOR SPACER
63	C133740006	4	BOLT, SQUARE M6X70
64	C021060106	8	NUT, 1 M6
65	C025060336	4	WASHER, PLAIN L 6
			<Setting the power switch>
66	C032461606	2	WOOD SCREW, ROUND 2 M4 5X16
67	CS44483001	1	HINGE ASSY
68	CS44484001	1	EYE GUARD HINGE
69	CS44485001	1	EYE GUARD
70	C061300816	2	SCREW, FLAT M3X8
71	C021300106	2	NUT, 1 M3
72	C026030236	2	WASHER, PLAIN M 3
73	CSA4104001	1	EYE GUARD HOLDER, A
74	C062300506	2	SCREW, PAN M3X5
75	C062400616	2	SCREW, PAN M4X6
76	C026040136	2	WASHER, PLAIN S 4
77	CSA3388001	1	BACK COVER
78	C062061016	4	SCREW, PAN M6X10
79	CSA3489001	1	FEED PLATE COVER
80	C153057101	1	SCREW, ROUND W/SOCKET SM4.37
100	C148847001	1	WASHER, PLAIN
81	CSA2693001	1	GREASE UNIT
82	CSA2695001	1	GREASE NOZZLE
93	CS06706001	1	SILICONE OIL
			< For BT-2700 >
83	CS18642009	1	BUTTON TRAY
84	C153843009	1	BUTTON TRAY HOLDER
85	C014760632	1	SET SCREW, SOCKET SM5.95-28X6
86	C081351606	2	WOOD SCREW, FLAT M3.5X16
87	C105343001	1	DOUBLE WRENCH, 8X9
88	C159939001	1	SPRING, A
89	C110215002	1	SCREW SM3 57
90	C025660132	1	WASER PLAIN S 3.18
91	C159938001	1	SPRING SUPPORT
92	C146360002	1	BOLT, SM4.76X7
99	C154179001	1	HEXAGONAL WRENCH, 4(Short type)
			< For BT-3200 Denim >
94	CSA3635101	1	NEEDLE BAR THREAD GUIDE, B
			<Setting the Treadle Unit>
95	C119755001	3	BOLT, M6X60
96	C025060236	3	WASHER, PLAIN M 6
97	C028060246	3	WASHER SPRING 2-6
98	C021060106	3	NUT, 1 M6
101	CSA6397001	1	M-KNIFE SPACER T0.2
101	CSA3334001	1	M-KNIFE SPACER T0.3
101	CSA6398001	1	M-KNIFE SPACER T0.4

The details of included accessories are subject to change.





DIFFERENT PARTS LIST (BT-3200 / BT-2700)

BT-3200				BT-2700
Part name / Spec	-003	-001	-005	
(K-61) Needle hole plate 	(#2.4) CSA3336-101	(#2.2) CSA3653-201	(#1.6) CSA3652-201	(#1.6) CSA6133-001
(F-41) Bobbin case assy 	C152690-501 < B >	C159610-401 < A >	C159610-401 < A >	C159610-401 < A >
	CS59221-201 < LC >			
(F-42) Tension spring 	C154340-101	C154339-101 < A >	C154339-101 < A >	C154339-101 < A >
	CS48664-001 ☆			
(F-43) Screw 	C154341-001		C154341-001	C154341-001
	CS16492-101 < LA > ☆			
(F-44) Anti-spin spring 	CSA4315-001 < B >	CSA4315-001 < A >	CSA4315-001 < A >	CSA4315-001 < A >
	CS15667-001 < LA > ☆			
(F-45) Bobbin 	C159613-051		C159613-051	C159613-051
	CS15665-001 < LA > ☆			
(F) Shuttle hook assy, w/box 	CSA1882-001 < B >	CSA1881-001 < A >	CSA1881-001 < A >	CSA1881-001 < A >
	CSA1890-201 < LG > ☆	CSA2173-201 < LF > ☆		
(F-40) Shuttle race base 	C152686-201 < B >		C152682-201 < A >	C152682-201 < A >
(H-14) Spring, tension 	C107606-101		C104525-101	C104525-101
(H-9) Thread take-up spring 	C144588-201 < B >		C145519-201	C145519-201

































DIFFERENT PARTS LIST (BT-3200 / BT-2700)

		BT-3200		BT-2700	
Part name	Spec	-003	-001	-005	
(H-25, H-24) Needle bar thread guide		CSA3257-101	CSA3635-101		CSA3635-101
(Z-20) Needle assy		CSA1579-019	CSA1752-014		CSA1579-012
(B-34, Z19) Needle		DP×17 NY <#19> CS37928-019	DP×5 <#14> C107415-014	DP×5 <#9> C107415-009	DP×17NY <#12> CS37928-012

Standard sizes for work clamps and feed plates are as follows:
(The actual sewing area has 1.5mm margin on every size, inside the lines which the dimensions indicate.)

		BT-3200			BT-2700
Part name	Spec	-003	-001	-005	
(C-68, 69) Work clamp		C153608-101 C154527-001	C152777-001 C152778-001	CS49695-001 CS49694-001	
(C-28) Feed plate		CSA3378-001 (For 3mm use)	CSA3607-001 Submerged-type, L)	CSA3609-001 (For 2mm use)	CSA3606-001
(C-68, 69) Work clamp		C152781-001 C152782-001			
(C-28) Feed plate		CSA3611-001 (For 3mm use)			


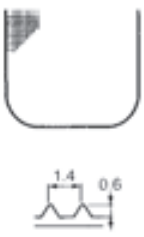
GAUGE PARTS LIST (BT-3200)

	1	2	3	4				
R	C152781-001 For denim	C153201-001 < PL >	C153203-001 < PS >	CS00906-001 (1 inch)				
L	C152782-001 For denim	C153202-001 < PL >	C153204-001 < PS >	CS00907-001 (1 inch)				
(C-68, 69) Work clamp								
(C-28) Feed plate	CSA3611-001 For denim	CSA3612-001 < PL >	CSA3613-001 < PS >	CSA3614-001 (1 inch)				
								
	5	6	7	8				
R	CS33747-001 (30mm)	C153201-001 For denim	C152777-001 < PM >	C152779-001 For knitted materials				
L	CS33748-001 (30mm)	C153202-001 For denim	C152778-001 < PM >	C152780-001 For knitted materials				
(C-68, 69) Work clamp								
(C-28) Feed plate	CSA3615-001 (50mm)	CSA3618-001 For denim	CSA3612-001 (PL)	CSA3608-001 For knitted materials				
								
	9	10	11	12				
R	CS46771-001 For straight bar tacking	CS46771-001 For straight bar tacking/submerged	CS46774-001 For vertical bar tacking	CS46774-001 For vertical bar tacking/submerged				
L	CS46770-001 For straight bar tacking	CS46770-001 For straight bar tacking/submerged	CS46773-001 For vertical bar tacking	CS46773-001 For vertical bar tacking/submerged				
(C-68, 69) Work clamp								
(C-28) Feed plate	CSA3617-001 For straight bar tacking	CSA3618-001 For straight bar tacking/submerged	CSA3619-001 For vertical bar tacking	CSA3621-001 For vertical bar tacking/submerged				
								
(C) Work clamp	C156006-001	CS59892-001	C156006-001	CS59892-001	C156006-001	CS59892-001	C156006-001	CS59892-001
Bolt								

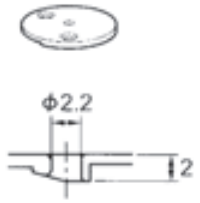
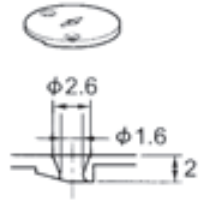
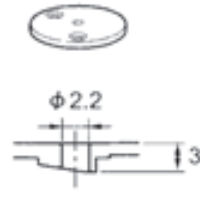
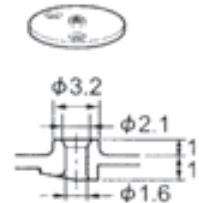
GAUGE PARTS LIST (BT-3200)

	13		14		15		16	
R	CSA2230-001 For vertical bar tacking		CSA2233-001 For vertical bar tacking		C152779-001 Submerged -type.S		C152779-001	
L	CSA2229-001 For vertical bar tacking		CSA2232-001 For vertical bar tacking		C152780-001 Submerged -type.S		C152780-001	
(C-68, 69) Work clamp								
(C-28) Feed plate	CSA3620-001 For vertical bar tacking		CSA3622-001 For vertical bar tacking		CSA3610-001 Submerged -type.S		CSA6346-001	
(C) Work clamp	CS59909-001	C017680-512	CS59909-001	C017680-512				
Bolt								
	17		18		19			
R	CS46777-001 For circular stitching		CS46780-001 For crescent bar tacking		CSA2236-001 For crescent bar tacking			
L	CS46776-001 For circular stitching		CS46779-001 For crescent bar tacking		CSA2235-001 For crescent bar tacking			
(C-68, 69) Work clamp								
(C-28) Feed plate	CSA3623-001 For circular stitching		CSA3624-001 For crescent bar tacking		CSA3625-001 For crescent bar tacking			
(C) Work clamp	C156006-001	CS59892-001	C156006-001	CS59892-001	CS59909-001	C017680-512		
Bolt								

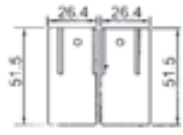
GAUGE PARTS LIST



	CSA3626-001 With lozenge	CSA3627-001 With lozenge
(C) Feed plate blank		


(K-61) For other needle hole plate

BT-3200			BT-2700
CSA3645-201	CSA3646-201	CSA5221-001	CSA3654-201
			

For specially orderd

	-1
R	CSA4195-001
L	CSA4196-001
(C) Work clamp blank	

	CS59909-001	C017680-512
(C) Work clamp Bolt		

	CSA3817-001 Without lozenge
(C) Feed plate blank	

OPTION PARTS

Button clamp spacer

AL	CS52071-001(E-39)	BL	CS52072-001(E-41)	CL	CS52073-001(E-43)	DL	CS52074-001(E-45)
AR	CS52075-001(E-40)	BR	CS52076-001(E-42)	CR	CS52077-001(E-44)	DR	CS52078-001(E-46)
