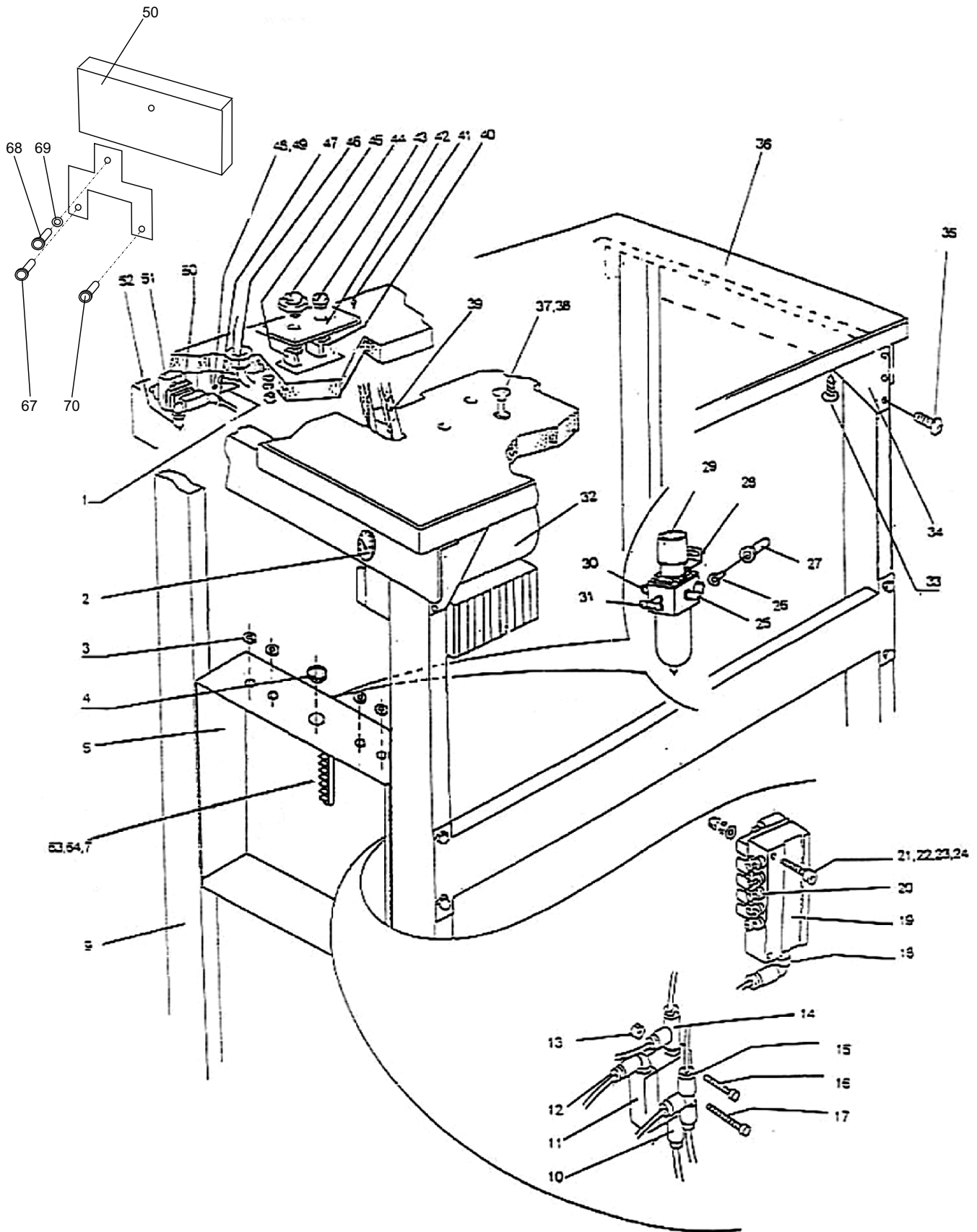


## **TABLE OF CONTENTS**

---

ELECTRICAL AND PNEUMATIC COMPONENTS.....	3-2
JIG DRIVE/JIG EJECT/SNUBBER.....	3-6
PRESSER FOOT/JIG FLAP/AMPLIFIER.....	3-10
TURN ARM.....	3-12
HEAD AND SYNCHRONIZER.....	3-14
KNIFE MECHANISM.....	3-15

# ELECTRICAL AND PNEUMATIC COMPONENTS

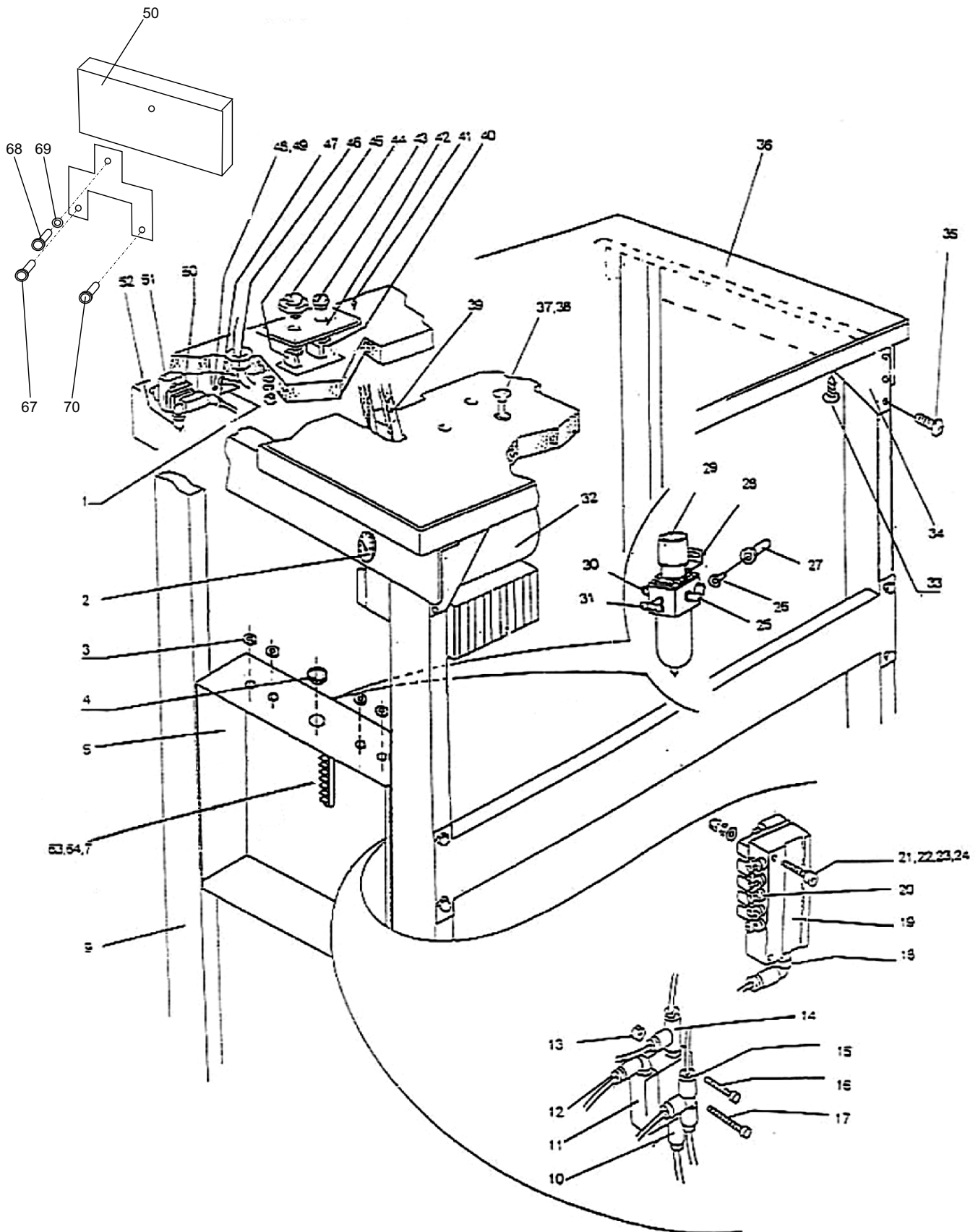


**ELECTRICAL AND PNEUMATIC COMPONENTS**

DET	PART NUMBER	DESCRIPTION	QTY
1	12.0010.4.101	Efka On/Off Box	1
2	84.0004.6.865	Pressure Gauge	1
2	84.0002.0.727	1/8" Sleeve Coupler	1
2	84.0003.2.100	1/8"-4mm Adaptor	1
3	84.0005.8.625	Rubber Grommet 6,4	1
4	84.0005.8.627	Rubber Grommet 15.5	5
5	84.0005.7.110	Electrical Cabinet	1
7	84.0004.6.795	12 Way Terminal Strip	1
9	84.0005.7.095	Frame	1
10	84.0003.2.110	Straight Fitting 4mm	1
11	84.0004.6.746	Pilot Valve	1
12	84.0003.2.095	Elbow 4mm	1
13	84.0002.1.085	M3 Nut	2
14	84.0006.0.989	'T' Connector 4mm	1
15	84.0003.2.150	'T' Connector 4mm	1
16	84.0002.0.845	M3x20 Cap Hd Screw	1
17		M3x20 Cap Hd Screw	1
18	84.0003.2.105	6mm Elbow	1
19	84.0005.7.125	5 Station Manifold	1
20	84.0004.6.847	Push in Fitting, 5mm	10
21	84.0002.0.852	M4x25 Cap Hd Screw	2
22	84.0002.1.092	M4 Plain Washer	2
23	84.0002.1.026	M4 Spring Washer	2
24	84.0002.1.085	M4 Nut	2
25	84.0003.2.107	1/4"-M6 Elbow Adaptor	1
26		M5x12 Butt Hd Screw	2
27	84.0004.6.940	M5 Aluminum Rivnut	2
28	84.0003.2.015	Bracket	1
29	84.0004.8.045	Filter Regulator	1
30	84.0003.2.108	1/4"-6mm in line Adaptor	1
31	84.0003.2.155	1/8"-4mm Branch T Adaptor	1
32	06.8400.1.011	Efka Driver	1
32	12.0010.4.327	Motor Efka	1
32	06.8400.1.005	Cable ST2 Assembly	1
32	84.0005.8.680	Filter	1
33		Wood Screw	6
34	84.0005.7.115	Brace, L/H	1
34	84.0005.7.116	Brace, R/H	1
35	84.0002.0.982	M5x10 Butt Hd Screw	6
36	84.0005.7.146	Table Top	1
37	84.0002.1.068	Motor Mounting Bolt	3
38	84.0002.1.058	M8 Nut	3
38	84.0002.1.093	M8 Washer	3
39	84.0004.7.150	Drive Belt	1
40	12.0010.4.099	Contact Block NO	1



# ELECTRICAL AND PNEUMATIC COMPONENTS



**ELECTRICAL AND PNEUMATIC COMPONENTS**

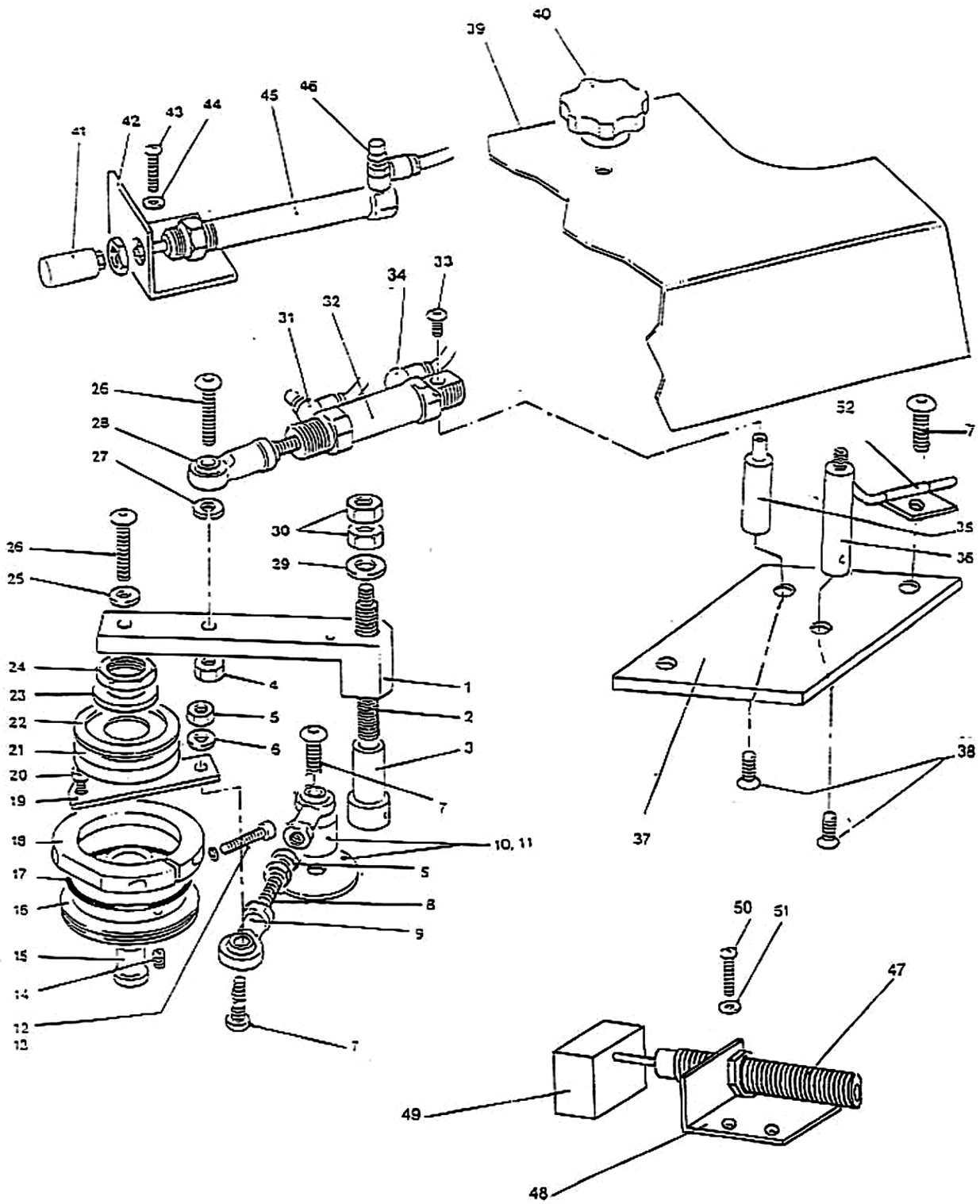


DET	PART NUMBER	DESCRIPTION	QTY
41	84.0002.0.948	No. 6x5/8" Pan Hd Screw	4
42	84.0004.8.455	Stop Start Plate	1
43	12.0008.4.583	Start Button	1
43	12.0010.4.098	Clip	1
44	12.0008.4.584	Stop Button	1
44	12.0010.4.098	Clip	1
45	12.0010.4.102	Contact Block NC	1
46	84.0002.5.490	Nylon Grommet	3
47	84.0003.2.105	Elbow 6mm	1
48	84.0004.6.806	Small Cable Gland	1
49		Wood Screw	2
50	84.0003.2.120	Air Valve On/Off	1
51	84.0010.7.350	Bracket	1
52	84.0002.0.719	Elbow 1/4"x8mm	1
53	84.0002.0.871	M6x50 Cap Hd Screw	2
54	84.0002.1.099	M6 Plain Washer	2
55	84.0002.1.088	M6 Nut	2
56	84.0002.1.028	M6 Spring Washer	2
58	84.0004.6.565	Control Box Mntg. Bkt	1
59	84.0002.0.851	M4x16 Cap Hd. Screw	4
60	12.0010.4.325	Display V850 Efka	1
62	84.0002.0.878	M4x10 Cap Hd Screw	1
62	84.0002.1.086	M4 Nut	1
62	84.0002.1.092	M4 Plain Washer	1
62	84.0002.0.843	M3x12 Cap Hd Screw	1
62	84.0002.1.085	M3 Nut	1
63	84.0002.0.851	M4x16 Cap Hd. Screw	4
64	84.0002.1.086	M4 Nut	4
65	84.0004.8.994	Panduit Connector	1
66	84.0004.8.995	Panduit Connector Cover	1
66	84.0004.8.996	Polarizing Pin	3
67	84.0005.9.684	Screw 3/16-28x15	1
68	08.6000.5.012	Screw M5x12	1
69	08.6850.5.000	Washer 5.3	1
70	84.0005.9.683	Screw 3/16-28x12	1

*Not Illustrated:*

84.0005.8.680	5/6mm Ferrite	3
84.0005.8.682	6.5 Ferrite	3
84.0005.8.684	13mm Hinged Ferrite	1

# JIG DRIVE/JIG EJECT/SNUBBER



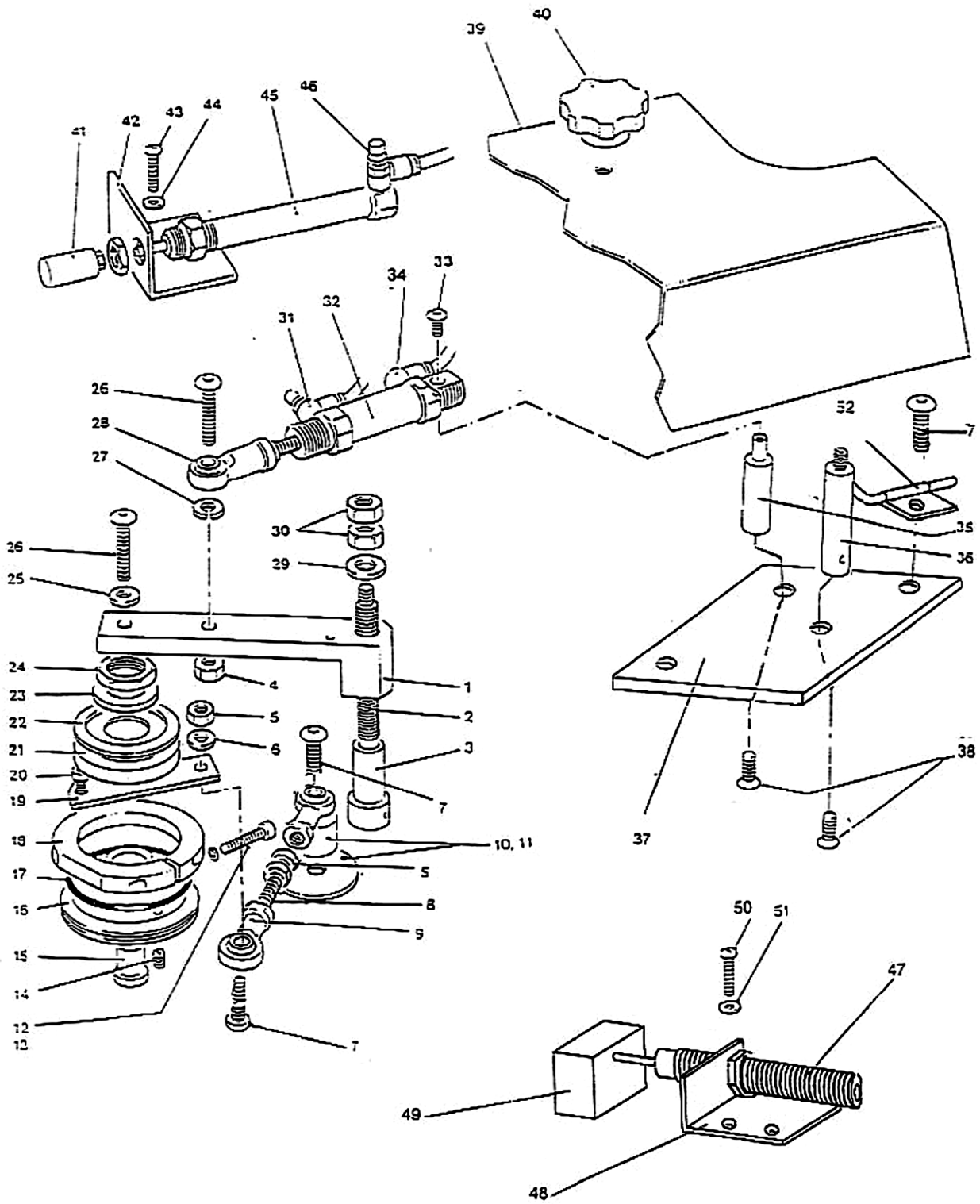
## JIG DRIVE/JIG EJECT/SNUBBER

DET	PART NUMBER	DESCRIPTION	QTY
JIG DRIVE			
1	84.0004.8.085	Drive Arm	1
2	84.0004.6.935	Drive Cover Stud	1
3	84.0003.0.511	Mounting Arm Eccentric	1
4	84.0002.1.088	M6 Nut	1
5	84.0002.1.087	M5 Nut	1
6	84.0002.1.098	M5 Plain Washer	1
7	84.0002.0.984	M5x16 Butt Hd Screw	4
8	84.0002.9.060	Stud	1
9	84.0002.8.200	Rod End	2
10	84.0004.6.535	Oil Cover Tube	1
11	84.0004.6.530	Oil Cover	1
12	84.0002.0.855	M4x30 Cap Hd Screw	1
13	84.0002.1.026	M4 Spring Washer	1
14	84.0002.0.922	M5x5 Grub Screw	2
15	84.0002.5.280	Pivot Spindle	1
16	84.0002.9.010	Drive Wheel	1
17	84.0002.9.125	"O" Ring	1
18	84.0002.5.290	Free Wheel Housing	1
19	84.0004.6.920	Drive Plate	1
20	84.0002.0.842	M3x10 Cap Hd Screw	2
21	84.0002.9.070	Bearing	1
22	84.0002.9.126	Nilos Ring	1
23	84.0002.9.020	Washer	1
24	84.0002.9.030	Locknut	1
25	84.0002.1.099	M6 Washer	1
26	84.0002.0.992	M6x25 Butt Hd Screw	1
27	84.0002.1.028	M6 Spring Washer	1
28	84.0002.8.210	Rod End	1
29	84.0002.1.093	M8 Plain Washer	1
30	84.0002.1.058	M8 Nut	2
31	84.0003.2.040	Flow Control	2
32	84.0002.8.192	Cylinder	1
33		M4x6 Butt Hd Screw	1
34	84.0003.2.095	M5-4mm Elbow Adaptor	1
35	84.0003.0.620	Drive Cylinder Stud	1
36	84.0005.9.110	Cover Stud	1
37	84.0005.9.023	Jig Drive Base Plate	1
38	84.0002.0.807	M5x10 Csk Screw	1
39	84.0005.7.055	Drive Cover Guard	1
40	84.0004.6.525	Thumb Nut, 8mm	2





# JIG DRIVE/JIG EJECT/SNUBBER





**JIG DRIVE/JIG EJECT/SNUBBER**

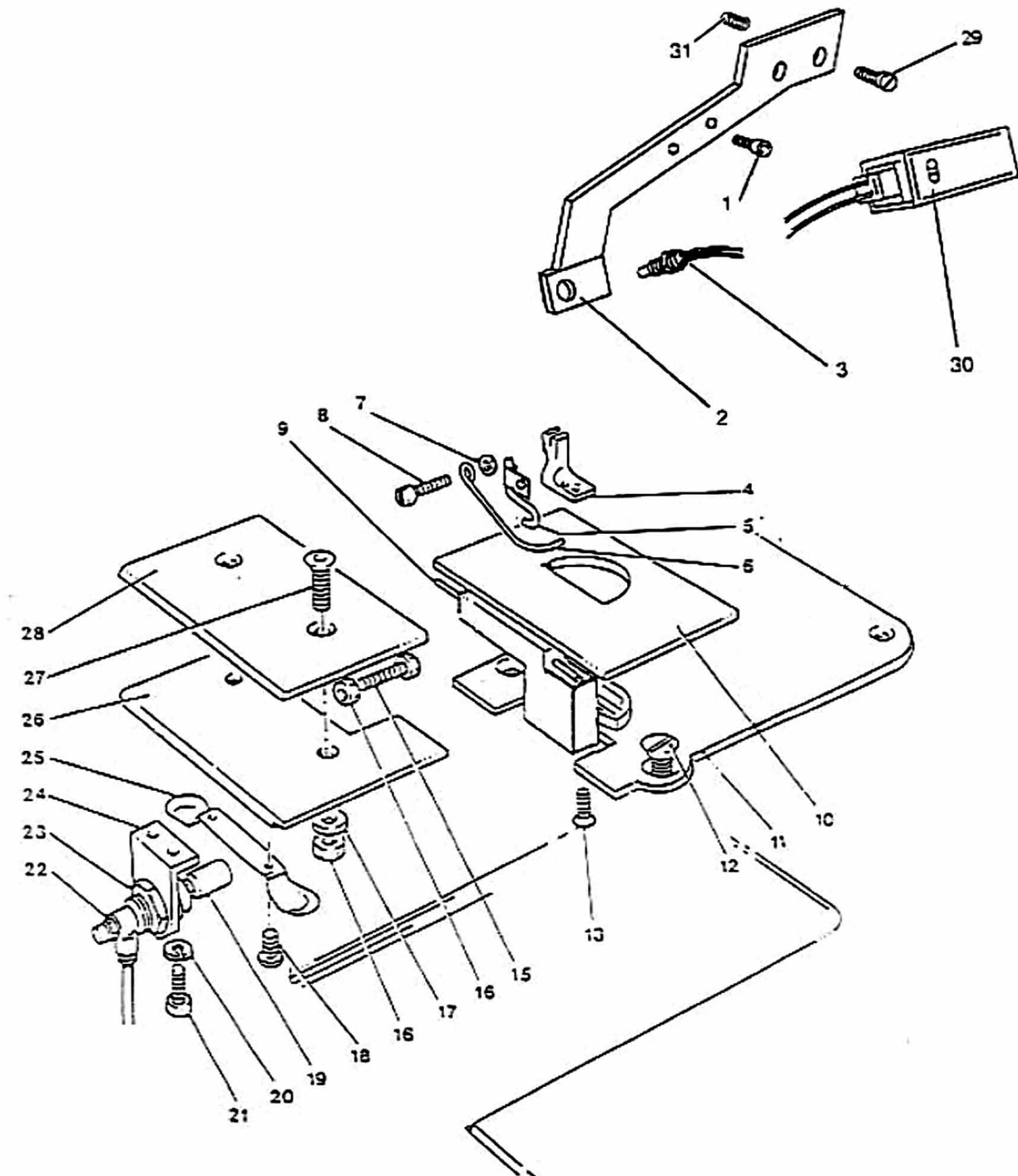


DET	PART NUMBER	DESCRIPTION	QTY
<b>JIG EJECT</b>			
41	84.0004.6.540	Nylon Nose	1
42	84.0005.9.010	Jig Eject Brkt	1
43	84.0002.0.984	M5x16 Butt Hd Screw	2
44	84.0002.1.098	M5 Plain Washer	2
45	84.0004.6.950	Jig Eject Cylinder	1
46	84.0003.2.045	Flow Control	1
<b>SNUBBER</b>			
47	84.0004.6.765	Shock Absorber	
48	84.0005.7.025	Snubber Bkt	
49	84.0005.7.030	Nylon Damper Block	
50	84.0002.0.984	M5x16 Butt Hd Screw	
51	84.0002.1.098	M5 Plain Washer	
52	84.0005.7.122	Rear Blower	

*Not Illustrated:*

84.0005.9.140	Jigh Drive Regulator	1
84.0006.0.325	4mm In Line Restrictor	1

# PRESSER FOOT/JIG FLAP/AMPLIFIER



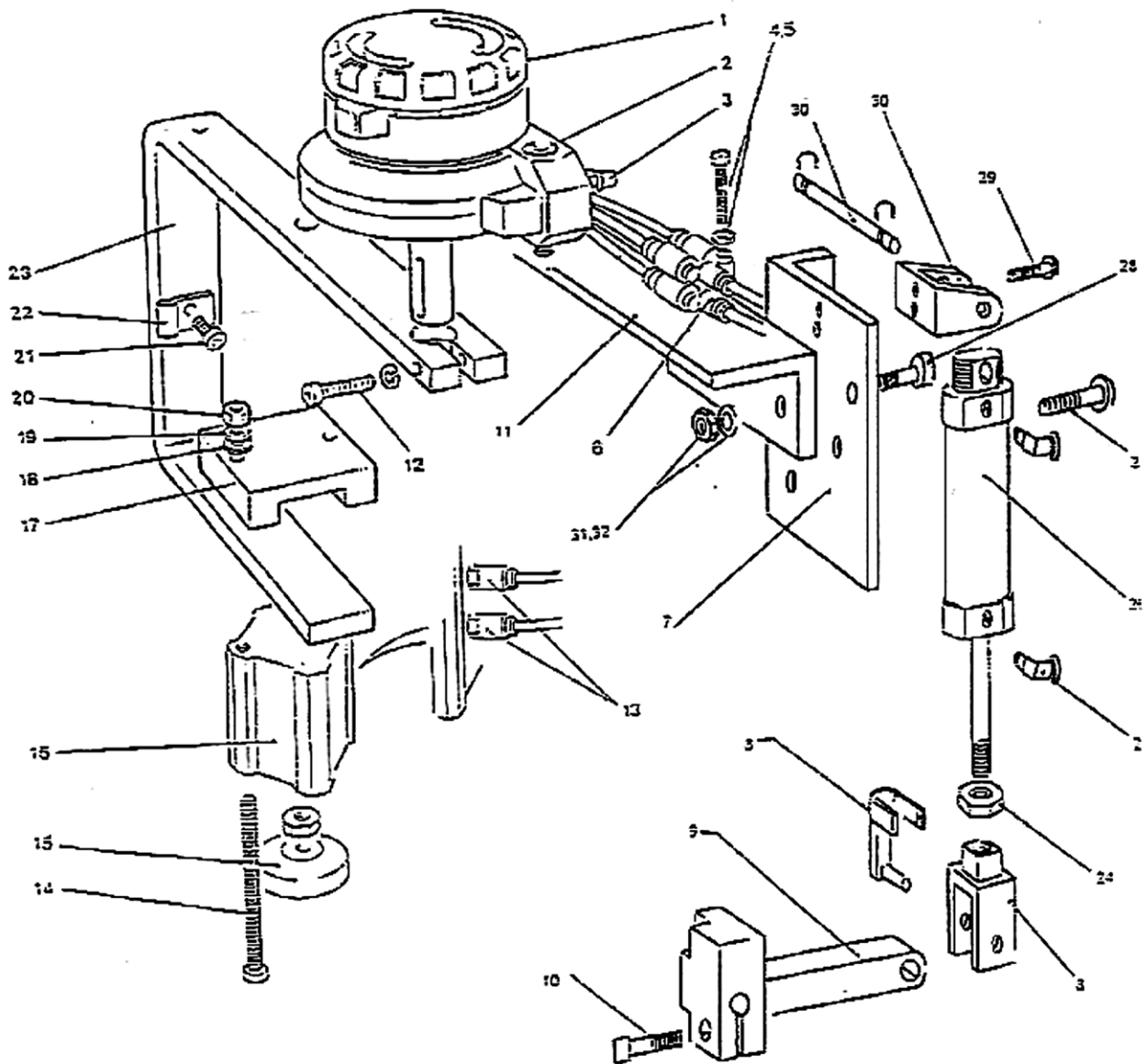
## PRESSER FOOT/JIG FLAP/AMPLIFIER

DET	PART NUMBER	DESCRIPTION	QTY
<b>PRESSER FOOT</b>			
1	84.0002.0.840	M3x5 Cap Hd Screw	1
2	84.0005.7.060	Photocell Mtg Bkt	1
3	84.0003.0.715	Fibre Optic Head	1
4	84.0002.5.550	Presser Foot 3/16"	1
S	84.0002.5.540	Presser Foot 1/8"	1
S	84.0002.5.560	Presser Foot 1/4"	1
5	84.0005.7.120	Foot Blower	1
6	84.0002.1.026	Finger Guard	1
7		Plain Washer	1
8	08.7000.6.012	Slot Hd Screw	1
S=Special			
<b>JIG FLAP</b>			
9	84.0004.0.163	Throat Plate Locating Pin	1
10	84.0005.9.040	Jig Flap Bracket	1
S	84.0005.9.005	Throat Plate, 1/8"	1
11	84.0005.9.006	Throat Plate, 3/16"	1
S	84.0005.9.007	Throat Plate, 1/4"	1
12	84.0005.7.130	Throat Plate Screw	4
13	84.0002.0.798	M3x6 Csk Screw	1
15	M3x16	Hex Hd Screw	1
16	84.0002.1.085	M3 Nut	3
17	84.0002.1.091	M3 Plain Washer	2
18	84.0004.6.840	M2.5x5 Pan Hd Screw	2
19	84.0004.6.540	Nylon Nose	1
20	84.0002.1.025	M3 Spring Washer	2
21	84.0002.0.841	M3x8 Cap Hd Screw	2
22	84.0003.2.045	Flow Control	1
23	84.0004.6.745	Jig Flap Cylinder	1
24	84.0004.6.756	Jig Flap Cylinder Bracket	1
25	84.0004.6.750	Jig Flap Spring	1
26	84.0005.7.010	Jig Eject Slide Plate	1
27	84.0002.0.799	M3x10 Csk Screw	2
28	84.0005.9.050	Jig Flap Cover Plate	1
S=Special			
<b>AMPLIFIER</b>			
29		Screw	2
30	12.0010.4.328	Sensor Optic	1
31	84.0005.7.059	Spacer	1

*Not Illustrated:*

84.0006.0.325	4mm In Line Restrictor	2
---------------	------------------------	---

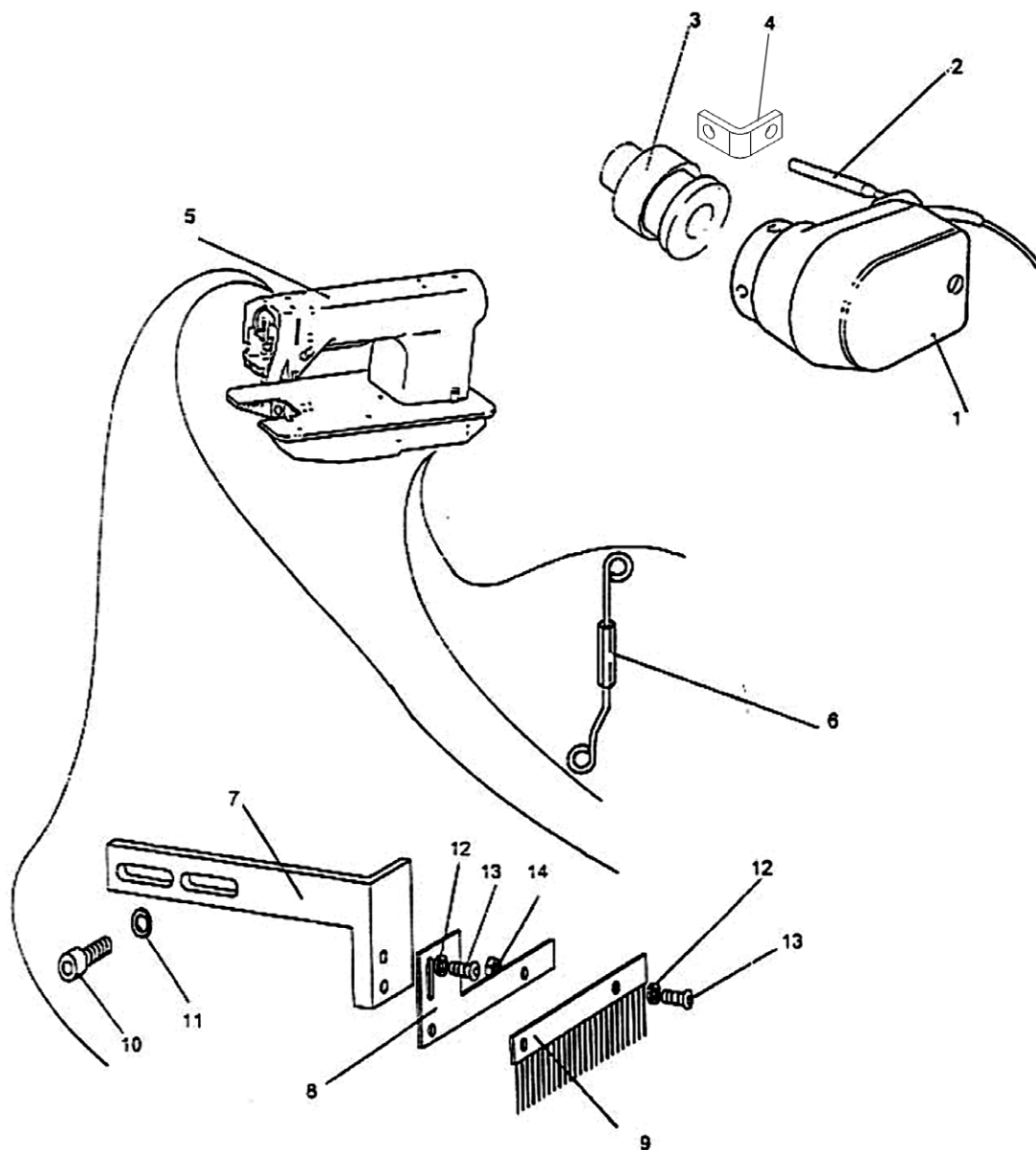
# TURN ARM



## TURN ARM

DET	PART NUMBER	DESCRIPTION	QTY
1	84.0003.1.000	Turn Unit	1
2	84.0002.0.868	M6x30 Cap Hd Screw	2
3	84.0003.2.040	Flow Control	2
4	84.0002.0.853	M4x35 Cap Hd Screw	1
5	84.0002.1.092	M4 Plain Washer	2
6	84.0006.0.326	"Y" Connector, 4mm	2
7	84.0005.9.011	Turn Support Bkt	1
8	84.0005.9.019	Piston Rod End Clevis	1
9	84.0005.9.013	Knife Lever	1
10	84.0002.0.857	M5x16 Cap Hd Screw	1
11	84.0005.9.012	Outrigger Turner	1
12	84.0002.0.855	M4x30 Cap Hd Screw	1
13	84.0003.2.110	Straight Connector, 4mm	2
14		M5x55 Cap Hd Screw	2
15	84.0004.6.840	Turn Arm Cylinder Nose	1
16	84.0004.6.825	Turn Arm Cylinder	1
17	84.0004.6.835	Turn Arm Cylinder Clamp	1
18	84.0002.1.098	M5 Plain Washer	1
19	84.0002.0.878	M5 Spring Nut	2
20	84.0002.1.087	M5 Nut	2
21	84.0002.0.878	M4x10 Cap Hd Screw	2
22		Pipe Clamp	2
23	84.0004.6.695	Turn Arm	1
24	84.0002.1.087	M5 Nut	1
25	84.0003.2.100	90° Elbow Adaptor	2
26	84.0005.9.018	Knife Cylinder	1
27		15/64"x28x12 Screw	2
28		M6x20 Cap Hd Screw	2
29		M6x12 Btt Hd Screw	2
30	84.0005.9.017	Clevis & Pin Kit	1
31	84.0002.1.088	M6 Full Nut	2
32	84.0002.1.099	M6 Plain Washer	2

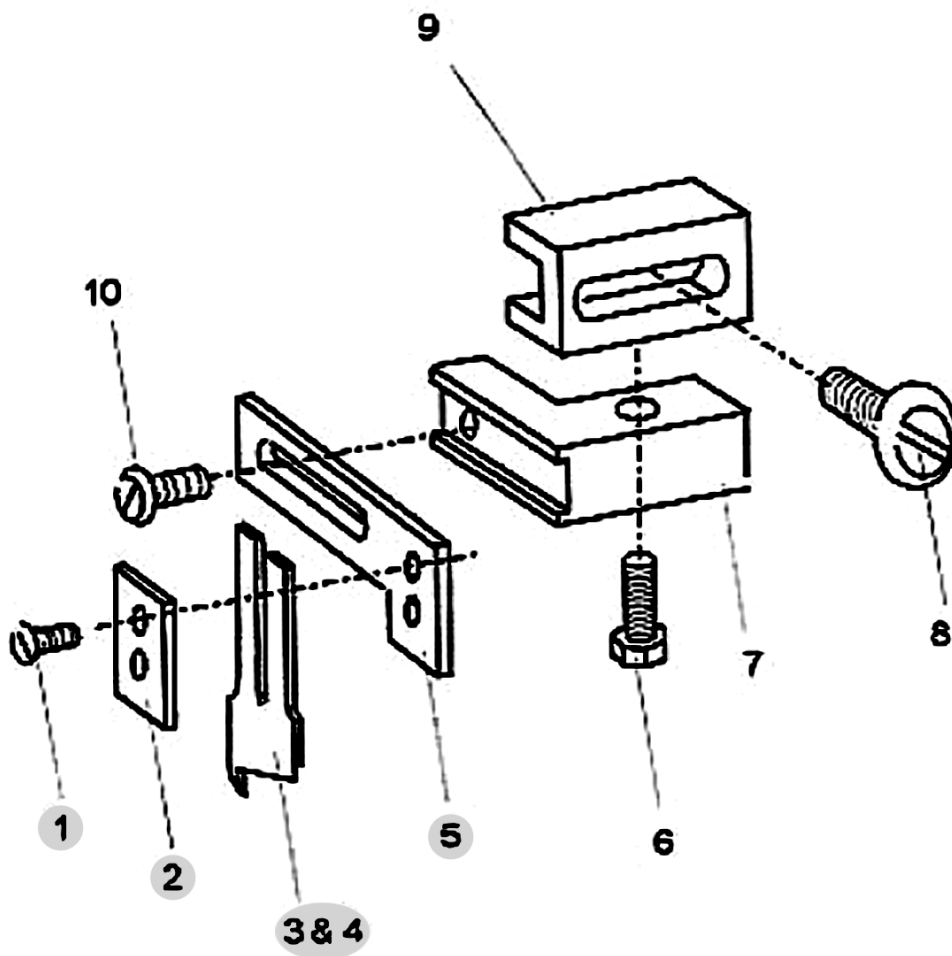
## HEAD AND SYNCHRONIZER



DET	PART NUMBER	DESCRIPTION	QTY
1	12.0010.4.185	EFGA Synchroniser	1
2	84.0005.7.035	Synch. Stabiliser Arm	1
3	84.0005.7.020	Synch. Spigot	1
4	84.0005.7.036	Holder	1
5	84.0005.9.096	Sewing Head	1
6	84.0005.7.076	Dense Adjusting Rod	1
7	84.0005.9.170	Brush Mtg Brkt	1
8	84.0005.9.175	Extension Bkt	1
9	84.0005.9.502	Anti-static Brush	1
10	84.0002.0.856	M5x12 Cap Hd Screw	1
11	84.0002.1.098	M5 Plain Washer	1
12	84.0002.1.091	M3 Plain Washer	4
13	84.0002.0.975	M3x8 Butt Hd Screw	4
14	84.0002.1.092	M3 Nut	4



# KNIFE MECHANISM



DET	PART NUMBER	DESCRIPTION	QTY
1	84.0005.9.174	M2.5x6 Countersunk Screw	2
2	84.0005.9.172	Clamp Plate	1
3	84.0005.9.173	16mm Knife	1
4	84.0005.9.161	9mm Knife	1
5	84.0005.9.171	Adapter	1
6		M6 Hexagon Head Screw	1
7	84.0005.9.166	Slide Block	1
8		Clamp Screw	1
9	84.0005.9.166	Adjustable Holder Bkt.	1
10		Slide Clamp Screw	1

3/16"	1/4"	1/8"		
See page 3-15	DET	PART NUMBER	DESCRIPTION	
	1	08.6012.1.008	Screw 2 PCS	
	2	84.0005.9.167	Plate	
	3,4	84.0003.0.310	Knife	
	5	84.0005.9.165	Holder	



**INDEX**

PART NUMBER	PAGE	DET	QTY	PART NUMBER	PAGE	DET	QTY	PART NUMBER	PAGE	DET	QTY
06.8400.1.005	3-3	32	1	84.0002.0.982	3-3	35	6	84.0002.5.490	3-5	46	3
06.8400.1.011	3-3	32	1	84.0002.0.984	3-7	7	4	84.0002.5.540	3-11	S	1
				84.0002.0.984	3-9	43	2	84.0002.5.550	3-11	4	1
08.6000.5.012	3-5	68	1	84.0002.0.984	3-9	50	0	84.0002.5.560	3-11	S	1
08.6850.5.000	3-5	69	1	84.0002.0.992	3-7	26	1	84.0002.8.192	3-7	32	1
08.7000.6.012	3-11	8	1	84.0002.1.025	3-11	20	2	84.0002.8.200	3-7	9	2
				84.0002.1.026	3-3	23	2	84.0002.8.210	3-7	28	1
12.0008.4.583	3-5	43	1	84.0002.1.026	3-7	13	1	84.0002.9.010	3-7	16	1
12.0008.4.584	3-5	44	1	84.0002.1.026	3-11	6	1	84.0002.9.020	3-7	23	1
12.0010.4.098	3-5	43	1	84.0002.1.028	3-5	56	2	84.0002.9.030	3-7	24	1
12.0010.4.098	3-5	44	1	84.0002.1.028	3-7	27	1	84.0002.9.060	3-7	8	1
12.0010.4.099	3-3	40	1	84.0002.1.058	3-3	38	3	84.0002.9.070	3-7	21	1
12.0010.4.101	3-3	1	1	84.0002.1.058	3-7	30	2	84.0002.9.125	3-7	17	1
12.0010.4.102	3-5	45	1	84.0002.1.068	3-3	37	3	84.0002.9.126	3-7	22	1
12.0010.4.185	3-14	1	1	84.0002.1.085	3-3	13	2	84.0003.0.511	3-7	3	1
12.0010.4.325	3-5	60	1	84.0002.1.085	3-3	24	2	84.0003.0.620	3-7	35	1
12.0010.4.327	3-3	32	1	84.0002.1.085	3-5	62	1	84.0003.0.715	3-11	3	1
12.0010.4.328	3-11	30	1	84.0002.1.085	3-11	16	3	84.0003.1.000	3-13	1	1
				84.0002.1.086	3-5	62	1	84.0003.2.015	3-3	28	1
<b>84.0002.0.719</b>				84.0002.1.086	3-5	64	4	84.0003.2.040	3-7	31	2
84.0002.0.719	3-5	52	1					84.0003.2.040	3-13	3	2
84.0002.0.727	3-3	2	1	<b>84.0002.1.087</b>				84.0003.2.045	3-9	46	1
84.0002.0.798	3-11	13	1	84.0002.1.087	3-7	5	1	84.0003.2.045	3-11	22	1
84.0002.0.799	3-11	27	2	84.0002.1.087	3-13	20	2	84.0003.2.095	3-3	12	1
84.0002.0.807	3-7	38	1	84.0002.1.087	3-13	24	1	84.0003.2.095	3-7	34	1
84.0002.0.840	3-11	1	1	84.0002.1.088	3-5	55	2				
84.0002.0.841	3-11	21	2	84.0002.1.088	3-7	4	1	<b>84.0003.2.100</b>			
84.0002.0.842	3-7	20	2	84.0002.1.088	3-13	31	2	84.0003.2.100	3-3	2	1
84.0002.0.843	3-5	62	1	84.0002.1.091	3-11	17	2	84.0003.2.100	3-13	25	2
84.0002.0.845	3-3	16	1	84.0002.1.091	3-14	12	4	84.0003.2.105	3-3	18	1
84.0002.0.851	3-5	59	4	84.0002.1.092	3-3	22	2	84.0003.2.105	3-5	47	1
84.0002.0.851	3-5	63	4	84.0002.1.092	3-5	62	1	84.0003.2.107	3-3	25	1
84.0002.0.852	3-3	21	2	84.0002.1.092	3-13	5	2	84.0003.2.108	3-3	30	1
84.0002.0.853	3-13	4	1	84.0002.1.092	3-14	14	4	84.0003.2.110	3-3	10	1
84.0002.0.855	3-7	12	1	84.0002.1.093	3-3	38	3	84.0003.2.110	3-13	13	2
84.0002.0.855	3-13	12	1	84.0002.1.093	3-7	29	1	84.0003.2.120	3-5	50	1
84.0002.0.856	3-14	10	1	84.0002.1.098	3-7	6	1	84.0003.2.150	3-3	15	1
84.0002.0.857	3-13	10	1	84.0002.1.098	3-9	44	2	84.0003.2.155	3-3	31	1
84.0002.0.868	3-13	2	2	84.0002.1.098	3-9	51	0	84.0004.0.163	3-11	9	1
84.0002.0.871	3-5	53	2	84.0002.1.098	3-13	18	1	84.0004.6.525	3-7	40	2
84.0002.0.878	3-5	62	1	84.0002.1.098	3-14	11	1	84.0004.6.530	3-7	11	1
84.0002.0.878	3-13	19	2	84.0002.1.099	3-5	54	2	84.0004.6.535	3-7	10	1
84.0002.0.878	3-13	21	2	84.0002.1.099	3-7	25	1	84.0004.6.540	3-9	41	1
84.0002.0.922	3-7	14	2	84.0002.1.099	3-13	32	2	84.0004.6.540	3-11	19	1
84.0002.0.948	3-5	41	4	84.0002.5.280	3-7	15	1	84.0004.6.565	3-5	58	1
84.0002.0.975	3-14	13	4	84.0002.5.290	3-7	18	1	84.0004.6.695	3-13	23	1

## INDEX

PART NUMBER	PAGE	DET	QTY	PART NUMBER	PAGE	DET	QTY	PART NUMBER	PAGE	DET	QTY
84.0004.6.745	3-11	23	1	84.0005.8.627	3-3	4	5				
84.0004.6.746	3-3	11	1	84.0005.8.680	3-3	32	1				
84.0004.6.750	3-11	25	1	84.0005.8.680	3-5	0	3				
84.0004.6.756	3-11	24	1	84.0005.8.682	3-5	0	3				
84.0004.6.765	3-9	47	0	84.0005.8.684	3-5	0	1				
84.0004.6.795	3-3	7	1	84.0005.9.005	3-11	S	1				
84.0004.6.806	3-5	48	1	84.0005.9.006	3-11	11	1				
84.0004.6.825	3-13	16	1	84.0005.9.007	3-11	S	1				
84.0004.6.835	3-13	17	1	84.0005.9.010	3-9	42	1				
84.0004.6.840	3-11	18	2	84.0005.9.011	3-13	7	1				
84.0004.6.840	3-13	15	1	84.0005.9.012	3-13	11	1				
84.0004.6.847	3-3	20	10	84.0005.9.013	3-13	9	1				
84.0004.6.865	3-3	2	1	84.0005.9.017	3-13	30	1				
84.0004.6.920	3-7	19	1	84.0005.9.018	3-13	26	1				
84.0004.6.935	3-7	2	1	84.0005.9.019	3-13	8	1				
84.0004.6.940	3-3	27	2	84.0005.9.023	3-7	37	1				
84.0004.6.950	3-9	45	1	84.0005.9.040	3-11	10	1				
84.0004.7.150	3-3	39	1	84.0005.9.050	3-11	28	1				
84.0004.8.045	3-3	29	1	84.0005.9.096	3-14	5	1				
84.0004.8.085	3-7	1	1	84.0005.9.110	3-7	36	1				
84.0004.8.455	3-5	42	1	84.0005.9.140	3-9	0	1				
84.0004.8.994	3-5	65	1	84.0005.9.161	3-15	4	1				
84.0004.8.995	3-5	66	1	84.0005.9.166	3-15	7	1				
84.0004.8.996	3-5	66	3	84.0005.9.166	3-15	9	1				
<b>84.0005.7.010</b>				<b>84.0005.9.170</b>							
84.0005.7.010	3-11	26	1	84.0005.9.170	3-14	7	1				
84.0005.7.020	3-14	3	1	84.0005.9.171	3-15	5	1				
84.0005.7.025	3-9	48	0	84.0005.9.172	3-15	2	1				
84.0005.7.030	3-9	49	0	84.0005.9.173	3-15	3	1				
84.0005.7.035	3-14	2	1	84.0005.9.174	3-15	1	2				
84.0005.7.036	3-14	4	1	84.0005.9.175	3-14	8	1				
84.0005.7.055	3-7	39	1	84.0005.9.502	3-14	9	1				
84.0005.7.059	3-11	31	1	84.0005.9.683	3-5	70	1				
84.0005.7.060	3-11	2	1	84.0005.9.684	3-5	67	1				
84.0005.7.076	3-14	6	1	84.0006.0.325	3-9	0	1				
84.0005.7.095	3-3	9	1	84.0006.0.325	3-11	0	2				
84.0005.7.110	3-3	5	1	84.0006.0.326	3-13	6	2				
84.0005.7.115	3-3	34	1	84.0006.0.989	3-3	14	1				
84.0005.7.116	3-3	34	1	84.0010.7.350	3-5	51	1				
84.0005.7.120	3-11	5	1								
84.0005.7.122	3-9	52	0								
84.0005.7.125	3-3	19	1								
84.0005.7.130	3-11	12	4								
84.0005.7.146	3-3	36	1								
84.0005.8.625	3-3	3	1								