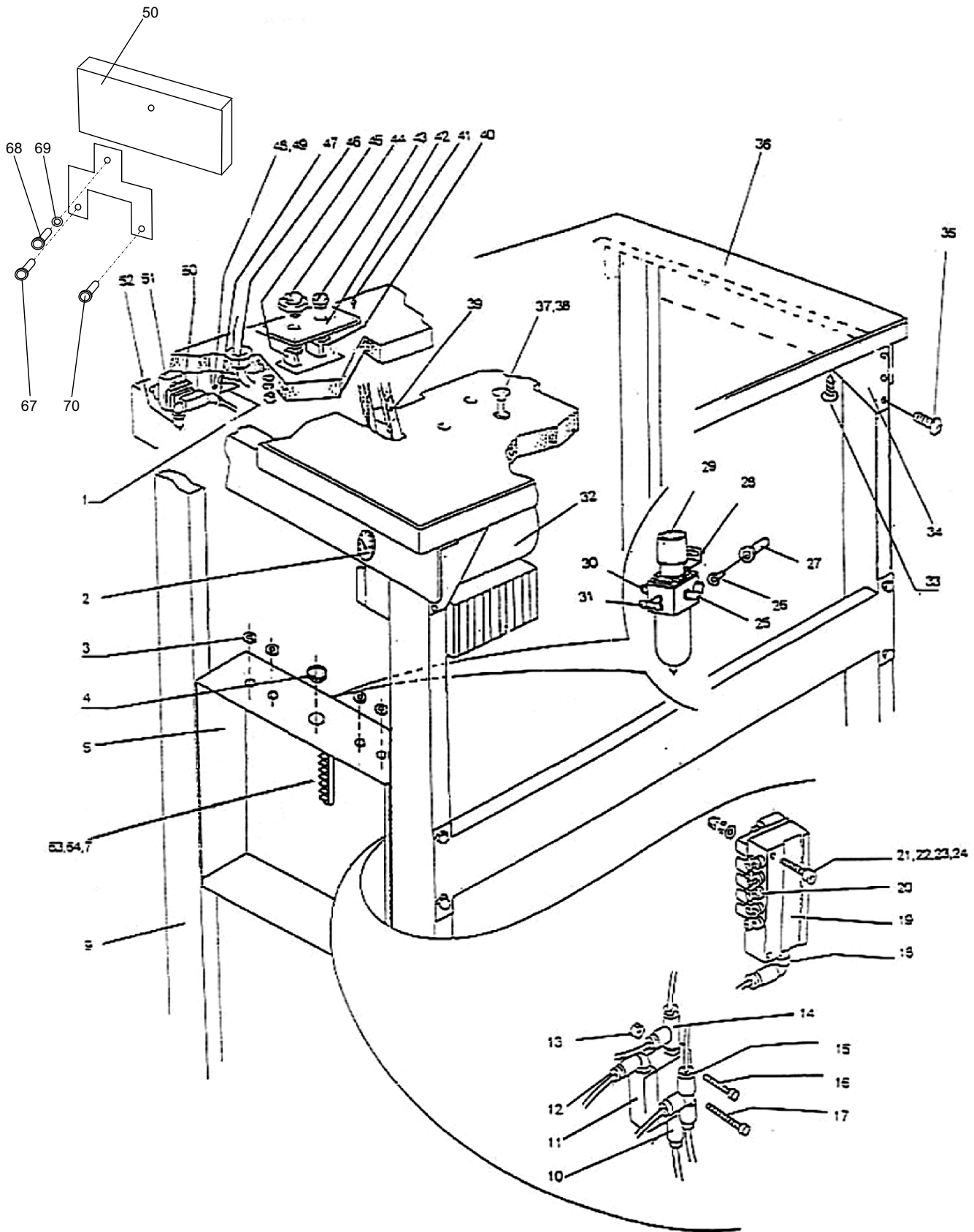


TABLE OF CONTENTS

ELECTRICAL AND PNEUMATIC COMPONENTS.....	3-2
JIG DRIVE/JIG EJECT/SNUBBER.....	3-6
PRESSER FOOT/JIG FLAP/AMPLIFIER.....	3-10
TURN ARM.....	3-12
HEAD AND SYNCHRONIZER.....	3-14
KNIFE MECHANISM.....	3-15

ELECTRICAL AND PNEUMATIC COMPONENTS

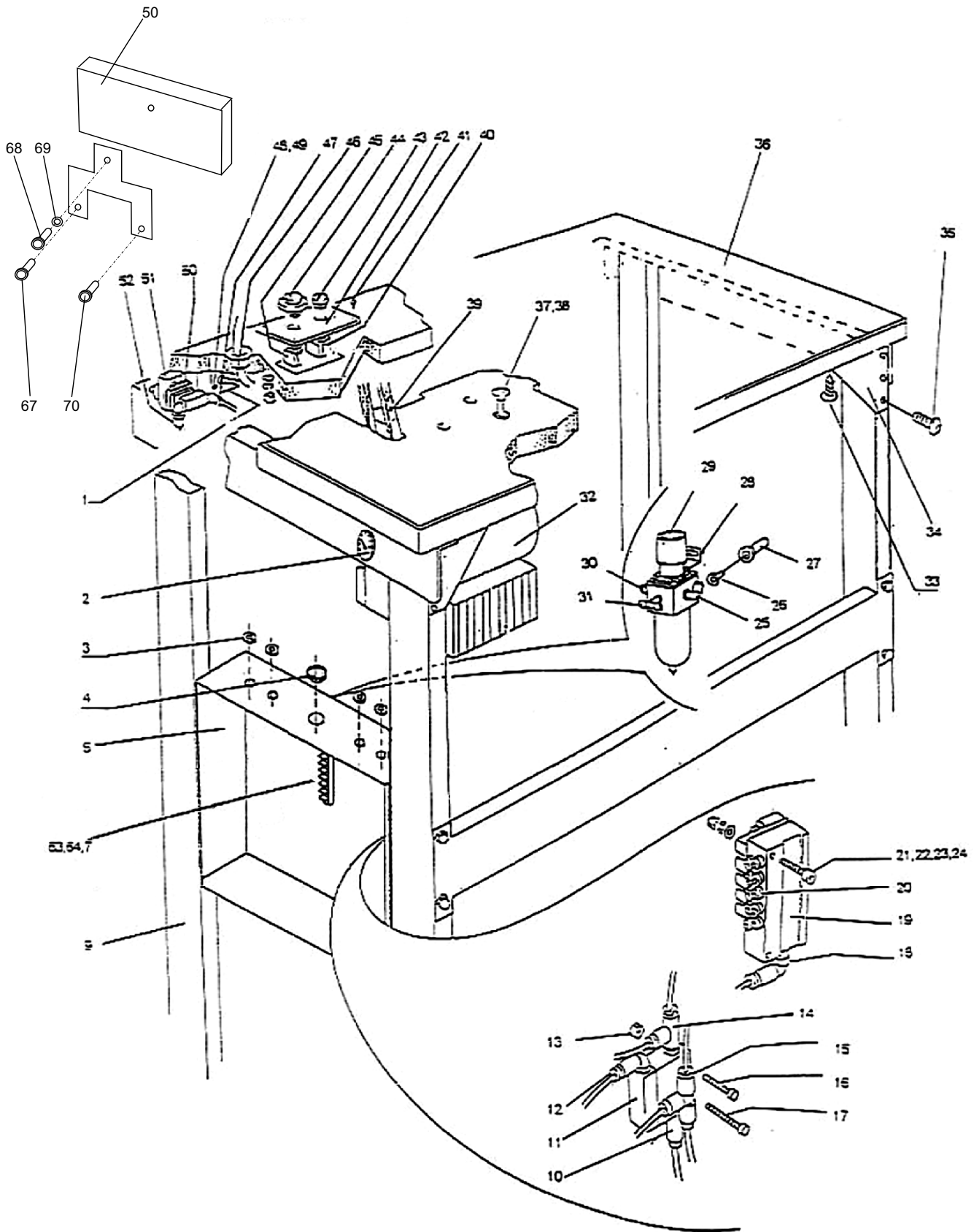


ELECTRICAL AND PNEUMATIC COMPONENTS

DET	PART NUMBER	DESCRIPTION	QTY
1	12.0010.4.101	Efka On/Off Box	1
2	84.0004.6.865	Pressure Gauge	1
2	84.0002.0.727	1/8" Sleeve Coupler	1
2	84.0003.2.100	1/8"-4mm Adaptor	1
3	84.0005.8.625	Rubber Grommet 6,4	1
4	84.0005.8.627	Rubber Grommet 15.5	5
5	84.0005.7.110	Electrical Cabinet	1
7	84.0004.6.795	12 Way Terminal Strip	1
9	84.0005.7.095	Frame	1
10	84.0003.2.110	Straight Fitting 4mm	1
11	84.0004.6.746	Pilot Valve	1
12	84.0003.2.095	Elbow 4mm	1
13	84.0002.1.085	M3 Nut	2
14	84.0006.0.989	'T' Connector 4mm	1
15	84.0003.2.150	'T' Connector 4mm	1
16	84.0002.0.845	M3x20 Cap Hd Screw	1
17		M3x20 Cap Hd Screw	1
18	84.0003.2.105	6mm Elbow	1
19	84.0005.7.125	5 Station Manifold	1
20	84.0004.6.847	Push in Fitting, 5mm	10
21	84.0002.0.852	M4x25 Cap Hd Screw	2
22	84.0002.1.092	M4 Plain Washer	2
23	84.0002.1.026	M4 Spring Washer	2
24	84.0002.1.085	M4 Nut	2
25	84.0003.2.107	1/4"-M6 Elbow Adaptor	1
26		M5x12 Butt Hd Screw	2
27	84.0004.6.940	M5 Aluminum Rivnut	2
28	84.0003.2.015	Bracket	1
29	84.0004.8.045	Filter Regulator	1
30	84.0003.2.108	1/4"-6mm in line Adaptor	1
31	84.0003.2.155	1/8"-4mm Branch T Adaptor	1
32	06.8400.1.011	Efka Driver	1
32	12.0010.4.327	Motor Efka	1
32	06.8400.1.005	Cable ST2 Assembly	1
32	84.0005.8.680	Filter	1
33		Wood Screw	6
34	84.0005.7.115	Brace, L/H	1
34	84.0005.7.116	Brace, R/H	1
35	84.0002.0.982	M5x10 Butt Hd Screw	6
36	84.0005.7.146	Table Top	1
37	84.0002.1.068	Motor Mounting Bolt	3
38	84.0002.1.058	M8 Nut	3
38	84.0002.1.093	M8 Washer	3
39	84.0004.7.150	Drive Belt	1
40	12.0010.4.099	Contact Block NO	1



ELECTRICAL AND PNEUMATIC COMPONENTS



ELECTRICAL AND PNEUMATIC COMPONENTS

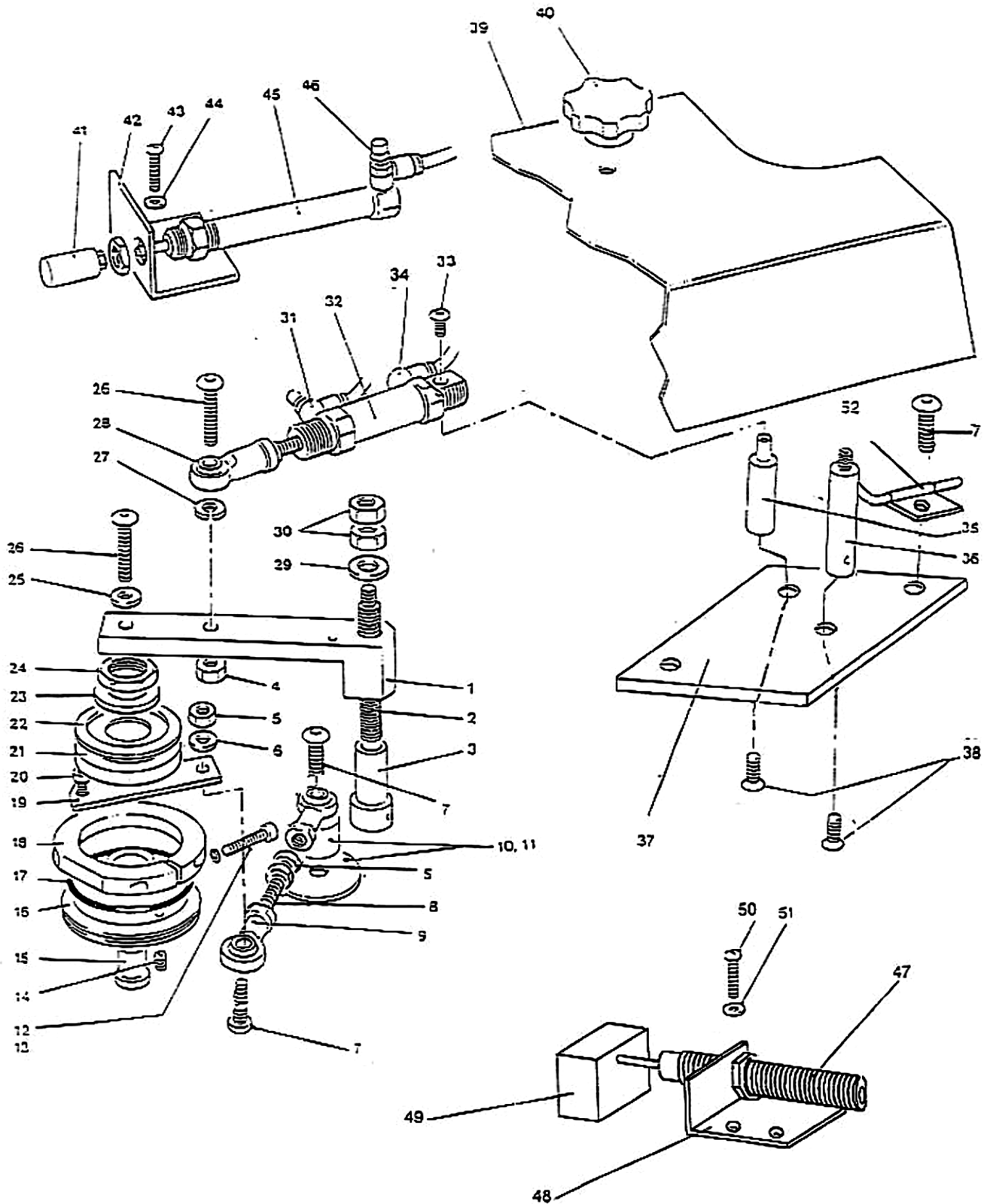


DET	PART NUMBER	DESCRIPTION	QTY
41	84.0002.0.948	No. 6x5/8" Pan Hd Screw	4
42	84.0004.8.455	Stop Start Plate	1
43	12.0008.4.583	Start Button	1
43	12.0010.4.098	Clip	1
44	12.0008.4.584	Stop Button	1
44	12.0010.4.098	Clip	1
45	12.0010.4.102	Contact Block NC	1
46	84.0002.5.490	Nylon Grommet	3
47	84.0003.2.105	Elbow 6mm	1
48	84.0004.6.806	Small Cable Gland	1
49		Wood Screw	2
50	84.0003.2.120	Air Valve On/Off	1
51	84.0010.7.350	Bracket	1
52	84.0002.0.719	Elbow 1/4"x8mm	1
53	84.0002.0.871	M6x50 Cap Hd Screw	2
54	84.0002.1.099	M6 Plain Washer	2
55	84.0002.1.088	M6 Nut	2
56	84.0002.1.028	M6 Spring Washer	2
58	84.0004.6.565	Control Box Mntg. Bkt	1
59	84.0002.0.851	M4x16 Cap Hd. Screw	4
60	12.0010.4.325	Display V850 Efka	1
62	84.0002.0.878	M4x10 Cap Hd Screw	1
62	84.0002.1.086	M4 Nut	1
62	84.0002.1.092	M4 Plain Washer	1
62	84.0002.0.843	M3x12 Cap Hd Screw	1
62	84.0002.1.085	M3 Nut	1
63	84.0002.0.851	M4x16 Cap Hd. Screw	4
64	84.0002.1.086	M4 Nut	4
65	84.0004.8.994	Panduit Connector	1
66	84.0004.8.995	Panduit Connector Cover	1
66	84.0004.8.996	Polarizing Pin	3
67	84.0005.9.684	Screw 3/16-28x15	1
68	08.6000.5.012	Screw M5x12	1
69	08.6850.5.000	Washer 5,3	1
70	84.0005.9.683	Screw 3/16-28x12	1

Not Illustrated:

84.0005.8.680	5/6mm Ferrite	3
84.0005.8.682	6.5 Ferrite	3
84.0005.8.684	13mm Hinged Ferrite	1

JIG DRIVE/JIG EJECT/SNUBBER

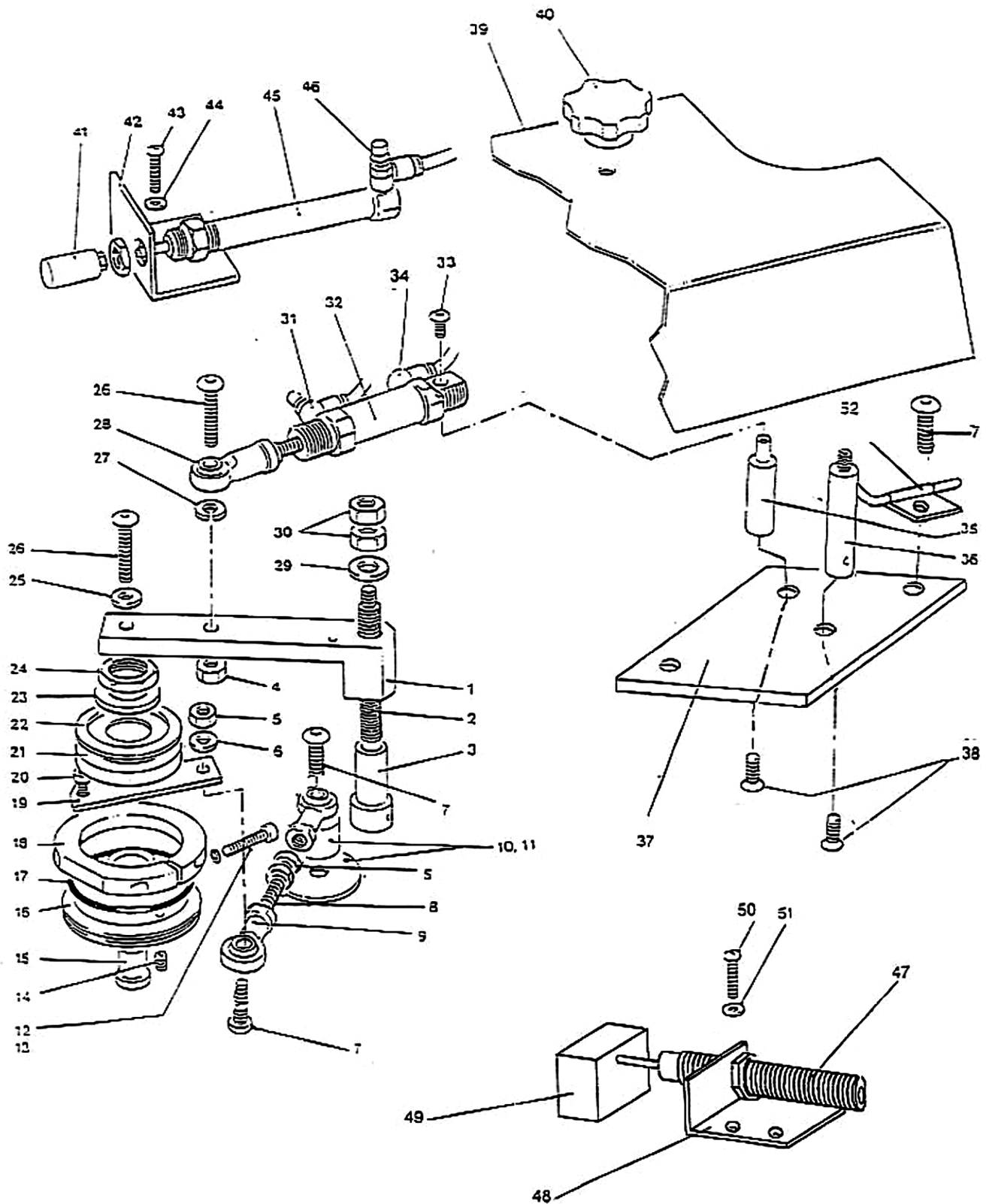


JIG DRIVE/JIG EJECT/SNUBBER

DET	PART NUMBER	DESCRIPTION	QTY
JIG DRIVE			
1	84.0004.8.085	Drive Arm	1
2	84.0004.6.935	Drive Cover Stud	1
3	84.0003.0.511	Mounting Arm Eccentric	1
4	84.0002.1.088	M6 Nut	1
5	84.0002.1.087	M5 Nut	1
6	84.0002.1.098	M5 Plain Washer	1
7	84.0002.0.984	M5x16 Butt Hd Screw	4
8	84.0002.9.060	Stud	1
9	84.0002.8.200	Rod End	2
10	84.0004.6.535	Oil Cover Tube	1
11	84.0004.6.530	Oil Cover	1
12	84.0002.0.855	M4x30 Cap Hd Screw	1
13	84.0002.1.026	M4 Spring Washer	1
14	84.0002.0.922	M5x5 Grub Screw	2
15	84.0002.5.280	Pivot Spindle	1
16	84.0002.9.010	Drive Wheel	1
17	84.0002.9.125	"O" Ring	1
18	84.0002.5.290	Free Wheel Housing	1
19	84.0004.6.920	Drive Plate	1
20	84.0002.0.842	M3x10 Cap Hd Screw	2
21	84.0002.9.070	Bearing	1
22	84.0002.9.126	Nilos Ring	1
23	84.0002.9.020	Washer	1
24	84.0002.9.030	Locknut	1
25	84.0002.1.099	M6 Washer	1
26	84.0002.0.992	M6x25 Butt Hd Screw	1
27	84.0002.1.028	M6 Spring Washer	1
28	84.0002.8.210	Rod End	1
29	84.0002.1.093	M8 Plain Washer	1
30	84.0002.1.058	M8 Nut	2
31	84.0003.2.040	Flow Control	2
32	84.0002.8.192	Cylinder	1
33		M4x6 Butt Hd Screw	1
34	84.0003.2.095	M5-4mm Elbow Adaptor	1
35	84.0003.0.620	Drive Cylinder Stud	1
36	84.0005.9.110	Cover Stud	1
37	84.0005.9.023	Jig Drive Base Plate	1
38	84.0002.0.807	M5x10 Csk Screw	1
39	84.0005.7.055	Drive Cover Guard	1
40	84.0004.6.525	Thumb Nut, 8mm	2



JIG DRIVE/JIG EJECT/SNUBBER



JIG DRIVE/JIG EJECT/SNUBBER

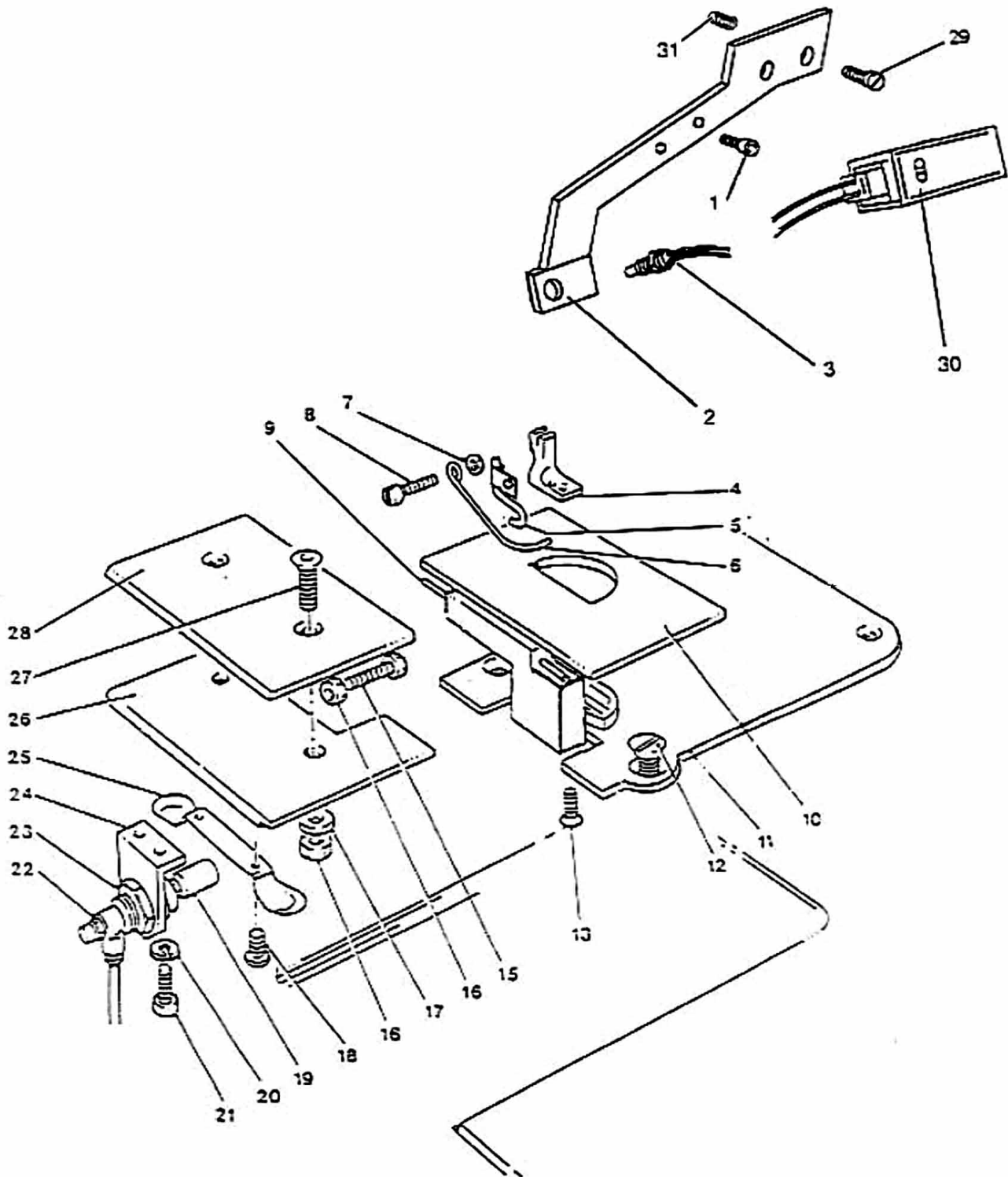


DET	PART NUMBER	DESCRIPTION	QTY
JIG EJECT			
41	84.0004.6.540	Nylon Nose	1
42	84.0005.9.010	Jig Eject Brkt	1
43	84.0002.0.984	M5x16 Butt Hd Screw	2
44	84.0002.1.098	M5 Plain Washer	2
45	84.0004.6.950	Jig Eject Cylinder	1
46	84.0003.2.045	Flow Control	1
SNUBBER			
47	84.0004.6.765	Shock Absorber	
48	84.0005.7.025	Snubber Bkt	
49	84.0005.7.030	Nylon Damper Block	
50	84.0002.0.984	M5x16 Butt Hd Screw	
51	84.0002.1.098	M5 Plain Washer	
52	84.0005.7.122	Rear Blower	

Not Illustrated:

84.0005.9.140	Jigh Drive Regulator	1
84.0006.0.325	4mm In Line Restrictor	1

PRESSER FOOT/JIG FLAP/AMPLIFIER



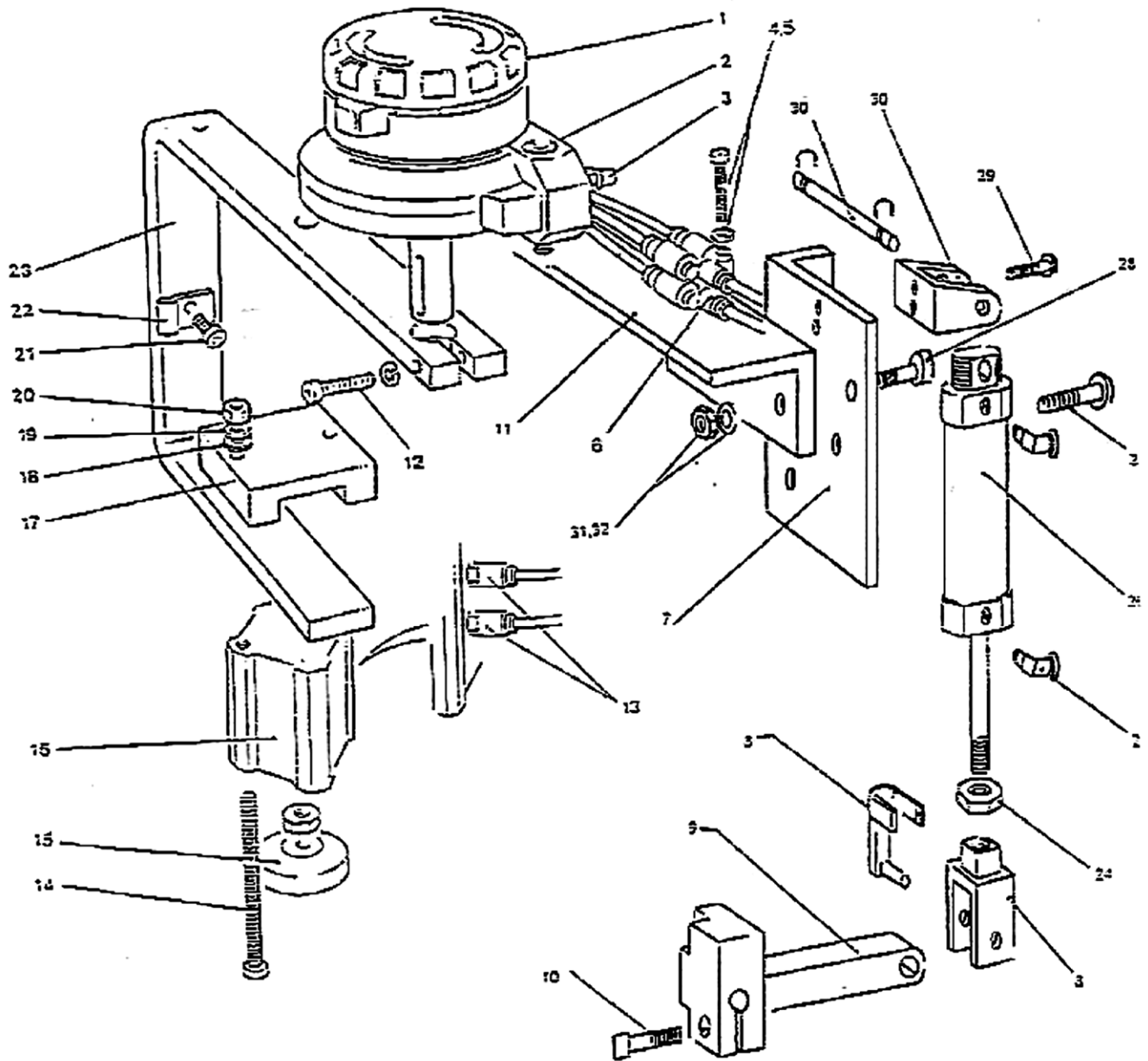
PRESSER FOOT/JIG FLAP/AMPLIFIER

DET	PART NUMBER	DESCRIPTION	QTY
PRESSER FOOT			
1	84.0002.0.840	M3x5 Cap Hd Screw	1
2	84.0005.7.060	Photocell Mtg Bkt	1
3	84.0003.0.715	Fibre Optic Head	1
4	84.0002.5.550	Presser Foot 3/16"	1
S	84.0002.5.540	Presser Foot 1/8"	1
S	84.0002.5.560	Presser Foot 1/4"	1
5	84.0005.7.120	Foot Blower	1
6	84.0002.1.026	Finger Guard	1
7		Plain Washer	1
8	08.7000.6.012	Slot Hd Screw	1
S=Special			
JIG FLAP			
9	84.0004.0.163	Throat Plate Locating Pin	1
10	84.0005.9.040	Jig Flap Bracket	1
S	84.0005.9.005	Throat Plate, 1/8"	1
11	84.0005.9.006	Throat Plate, 3/16"	1
S	84.0005.9.007	Throat Plate, 1/4"	1
12	84.0005.7.130	Throat Plate Screw	4
13	84.0002.0.798	M3x6 Csk Screw	1
15	M3x16	Hex Hd Screw	1
16	84.0002.1.085	M3 Nut	3
17	84.0002.1.091	M3 Plain Washer	2
18	84.0004.6.840	M2.5x5 Pan Hd Screw	2
19	84.0004.6.540	Nylon Nose	1
20	84.0002.1.025	M3 Spring Washer	2
21	84.0002.0.841	M3x8 Cap Hd Screw	2
22	84.0003.2.045	Flow Control	1
23	84.0004.6.745	Jig Flap Cylinder	1
24	84.0004.6.756	Jig Flap Cylinder Bracket	1
25	84.0004.6.750	Jig Flap Spring	1
26	84.0005.7.010	Jig Eject Slide Plate	1
27	84.0002.0.799	M3x10 Csk Screw	2
28	84.0005.9.050	Jig Flap Cover Plate	1
S=Special			
AMPLIFIER			
29		Screw	2
30	12.0010.4.328	Sensor Optic	1
31	84.0005.7.059	Spacer	1

Not Illustrated:

84.0006.0.325	4mm In Line Restrictor	2
---------------	------------------------	---

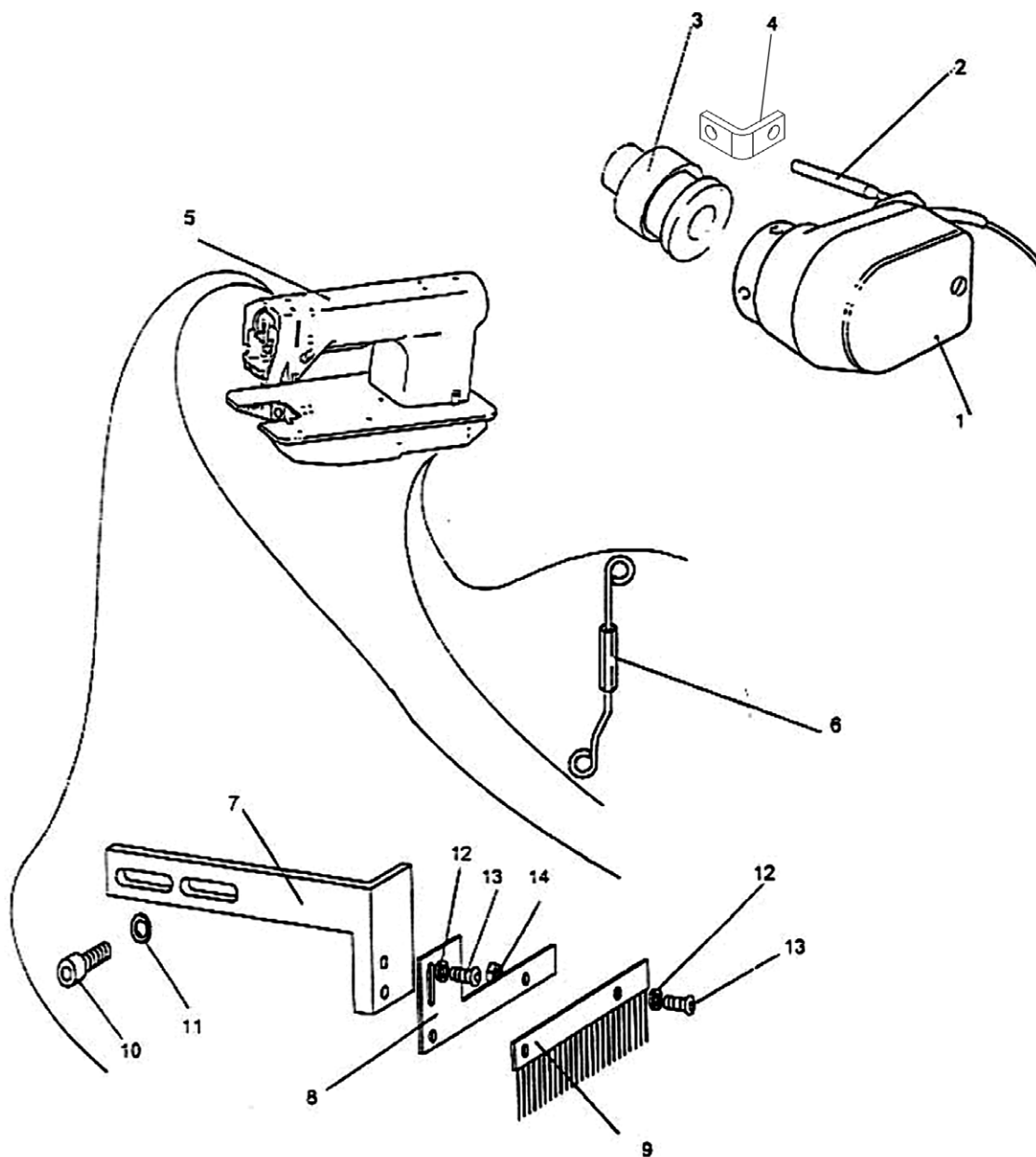
TURN ARM



TURN ARM

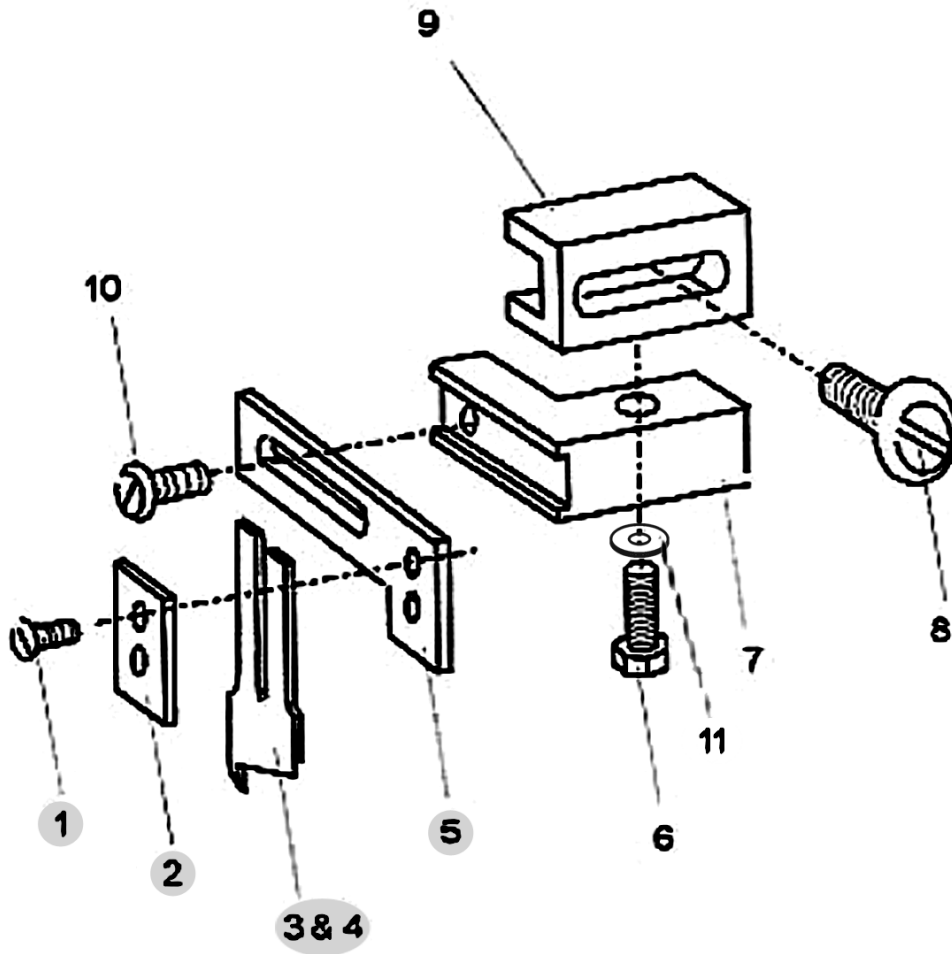
DET	PART NUMBER	DESCRIPTION	QTY
1	84.0003.1.000	Turn Unit	1
2	84.0002.0.868	M6x30 Cap Hd Screw	2
3	84.0003.2.040	Flow Control	2
4	84.0002.0.853	M4x35 Cap Hd Screw	1
5	84.0002.1.092	M4 Plain Washer	2
6	84.0006.0.326	"Y" Connector, 4mm	2
7	84.0005.9.011	Turn Support Bkt	1
8	84.0005.9.019	Piston Rod End Clevis	1
9	84.0005.9.013	Knife Lever	1
10	84.0002.0.857	M5x16 Cap Hd Screw	1
11	84.0005.9.012	Outrigger Turner	1
12	84.0002.0.855	M4x30 Cap Hd Screw	1
13	84.0003.2.110	Straight Connector, 4mm	2
14		M5x55 Cap Hd Screw	2
15	84.0004.6.840	Turn Arm Cylinder Nose	1
16	84.0004.6.825	Turn Arm Cylinder	1
17	84.0004.6.835	Turn Arm Cylinder Clamp	1
18	84.0002.1.098	M5 Plain Washer	1
19	84.0002.0.878	M5 Spring Nut	2
20	84.0002.1.087	M5 Nut	2
21	84.0002.0.878	M4x10 Cap Hd Screw	2
22		Pipe Clamp	2
23	84.0004.6.695	Turn Arm	1
24	84.0002.1.087	M5 Nut	1
25	84.0003.2.100	90° Elbow Adaptor	2
26	84.0005.9.018	Knife Cylinder	1
27		15/64"x28x12 Screw	2
28		M6x20 Cap Hd Screw	2
29		M6x12 Btt Hd Screw	2
30	84.0005.9.017	Clevis & Pin Kit	1
31	84.0002.1.088	M6 Full Nut	2
32	84.0002.1.099	M6 Plain Washer	2

HEAD AND SYNCHRONIZER



DET	PART NUMBER	DESCRIPTION	QTY
1	12.0010.4.185	EFKA Synchroniser	1
2	84.0005.7.035	Synch. Stabiliser Arm	1
3	84.0005.7.020	Synch. Spigot	1
4	84.0005.7.036	Holder	1
5	84.0005.9.096	Sewing Head	1
6	84.0005.7.076	Dense Adjusting Rod	1
7	84.0005.9.170	Brush Mtg Brkt	1
8	84.0005.9.175	Extension Bkt	1
9	84.0005.9.502	Anti-static Brush	1
10	84.0002.0.856	M5x12 Cap Hd Screw	1
11	84.0002.1.098	M5 Plain Washer	1
12	84.0002.1.091	M3 Plain Washer	4
13	84.0002.0.975	M3x8 Butt Hd Screw	4
14	84.0002.1.092	M3 Nut	4

KNIFE MECHANISM



DET	PART NUMBER	DESCRIPTION	QTY
1	84.0005.9.174	M2.5x6 Countersunk Screw	2
2	84.0005.9.172	Clamp Plate	1
3	84.0005.9.173	16mm Knife	1
4	84.0005.9.161	9mm Knife	1
5	84.0005.9.171	Adapter	1
6	08.6000.4.008	Screw	1
7	84.0005.9.166	Slide Block	1
8	84.0005.9.685	Clamp Screw	1
9	84.0005.9.166	Adjustable Holder Bkt.	1
10	08.6012.1.008	Slide Clamp Screw	1
11	08.6850.4.000	Washer	1

3/16"	1/4"	1/8"		
		DET	PART NUMBER	DESCRIPTION
See page 3-15		1	08.6012.1.008	Screw 2 PCS
		2	84.0005.9.167	Plate
		3,4	84.0003.0.310	Knife
		5	84.0005.9.165	Holder

INDEX

PART NUMBER	PAGE	DET	QTY	PART NUMBER	PAGE	DET	QTY	PART NUMBER	PAGE	DET	QTY
06.8400.1.005	3-3	32	1	84.0002.0.982	3-3	35	6	84.0002.5.550	3-11	4	1
06.8400.1.011	3-3	32	1	84.0002.0.984	3-7	7	4	84.0002.5.560	3-11	S	1
08.6000.4.008	3-15	6	1	84.0002.0.984	3-9	43	2	84.0002.8.192	3-7	32	1
08.6000.5.012	3-5	68	1	84.0002.0.984	3-9	50	0	84.0002.8.200	3-7	9	2
08.6012.1.008	3-15	10	1	84.0002.0.992	3-7	26	1	84.0002.8.210	3-7	28	1
08.6012.1.008	3-15	1	0	84.0002.1.025	3-11	20	2	84.0002.9.010	3-7	16	1
08.6850.4.000	3-15	11	1	84.0002.1.026	3-3	23	2	84.0002.9.020	3-7	23	1
08.6850.5.000	3-5	69	1	84.0002.1.026	3-7	13	1	84.0002.9.030	3-7	24	1
08.7000.6.012	3-11	8	1	84.0002.1.026	3-11	6	1	84.0002.9.060	3-7	8	1
12.0008.4.583	3-5	43	1	84.0002.1.028	3-5	56	2	84.0002.9.070	3-7	21	1
12.0008.4.584	3-5	44	1	84.0002.1.028	3-7	27	1	84.0002.9.125	3-7	17	1
12.0010.4.098	3-5	43	1	84.0002.1.058	3-3	38	3	84.0002.9.126	3-7	22	1
12.0010.4.098	3-5	44	1	84.0002.1.058	3-7	30	2	84.0003.0.310	3-15	3,4	0
12.0010.4.099	3-3	40	1	84.0002.1.068	3-3	37	3	84.0003.0.511	3-7	3	1
12.0010.4.101	3-3	1	1	84.0002.1.085	3-3	13	2	84.0003.0.620	3-7	35	1
12.0010.4.102	3-5	45	1	84.0002.1.085	3-3	24	2	84.0003.0.715	3-11	3	1
12.0010.4.185	3-14	1	1	84.0002.1.085	3-5	62	1	84.0003.1.000	3-13	1	1
12.0010.4.325	3-5	60	1	84.0002.1.085	3-11	16	3	84.0003.2.015	3-3	28	1
12.0010.4.327	3-3	32	1	84.0002.1.086	3-5	62	1	84.0003.2.040	3-7	31	2
12.0010.4.328	3-11	30	1	84.0002.1.086	3-5	64	4	84.0003.2.040	3-13	3	2
84.0002.0.719	3-5	52	1	84.0002.1.087	3-7	5	1	84.0003.2.045	3-9	46	1
84.0002.0.727	3-3	2	1	84.0002.1.087	3-13	20	2	84.0003.2.045	3-11	22	1
84.0002.0.798	3-11	13	1	84.0002.1.087	3-13	24	1	84.0003.2.095	3-3	12	1
84.0002.0.799	3-11	27	2	84.0002.1.088	3-5	55	2	84.0003.2.095	3-7	34	1
84.0002.0.807	3-7	38	1	84.0002.1.088	3-7	4	1	84.0003.2.100	3-3	2	1
84.0002.0.840	3-11	1	1	84.0002.1.088	3-13	31	2	84.0003.2.100	3-13	25	2
84.0002.0.841	3-11	21	2	84.0002.1.091	3-11	17	2	84.0003.2.105	3-3	18	1
84.0002.0.842	3-7	20	2	84.0002.1.091	3-14	12	4	84.0003.2.105	3-5	47	1
84.0002.0.843	3-5	62	1	84.0002.1.092	3-3	22	2	84.0003.2.107	3-3	25	1
84.0002.0.845	3-3	16	1	84.0002.1.092	3-5	62	1	84.0003.2.108	3-3	30	1
84.0002.0.851	3-5	59	4	84.0002.1.092	3-13	5	2	84.0003.2.110	3-3	10	1
84.0002.0.851	3-5	63	4	84.0002.1.092	3-14	14	4	84.0003.2.110	3-13	13	2
84.0002.0.852	3-3	21	2	84.0002.1.093	3-3	38	3	84.0003.2.120	3-5	50	1
84.0002.0.853	3-13	4	1	84.0002.1.093	3-7	29	1	84.0003.2.150	3-3	15	1
84.0002.0.855	3-7	12	1	84.0002.1.098	3-7	6	1	84.0003.2.155	3-3	31	1
84.0002.0.855	3-13	12	1	84.0002.1.098	3-9	44	2	84.0004.0.163	3-11	9	1
84.0002.0.856	3-14	10	1	84.0002.1.098	3-9	51	0	84.0004.6.525	3-7	40	2
84.0002.0.857	3-13	10	1	84.0002.1.098	3-13	18	1	84.0004.6.530	3-7	11	1
84.0002.0.868	3-13	2	2	84.0002.1.098	3-14	11	1	84.0004.6.535	3-7	10	1
84.0002.0.871	3-5	53	2	84.0002.1.099	3-5	54	2	84.0004.6.540	3-9	41	1
84.0002.0.878	3-5	62	1	84.0002.1.099	3-7	25	1	84.0004.6.540	3-11	19	1
84.0002.0.878	3-13	19	2	84.0002.1.099	3-13	32	2	84.0004.6.565	3-5	58	1
84.0002.0.878	3-13	21	2	84.0002.5.280	3-7	15	1	84.0004.6.695	3-13	23	1
84.0002.0.922	3-7	14	2	84.0002.5.290	3-7	18	1	84.0004.6.745	3-11	23	1
84.0002.0.948	3-5	41	4	84.0002.5.490	3-5	46	3	84.0004.6.746	3-3	11	1
84.0002.0.975	3-14	13	4	84.0002.5.540	3-11	S	1	84.0004.6.750	3-11	25	1

INDEX

PART NUMBER	PAGE	DET	QTY	PART NUMBER	PAGE	DET	QTY	PART NUMBER	PAGE	DET	QTY
84.0004.6.756	3-11	24	1	84.0005.9.005	3-11	S	1				
84.0004.6.765	3-9	47	0	84.0005.9.006	3-11	11	1				
84.0004.6.795	3-3	7	1	84.0005.9.007	3-11	S	1				
84.0004.6.806	3-5	48	1	84.0005.9.010	3-9	42	1				
84.0004.6.825	3-13	16	1	84.0005.9.011	3-13	7	1				
84.0004.6.835	3-13	17	1	84.0005.9.012	3-13	11	1				
84.0004.6.840	3-11	18	2	84.0005.9.013	3-13	9	1				
84.0004.6.840	3-13	15	1	84.0005.9.017	3-13	30	1				
84.0004.6.847	3-3	20	10	84.0005.9.018	3-13	26	1				
84.0004.6.865	3-3	2	1	84.0005.9.019	3-13	8	1				
84.0004.6.920	3-7	19	1	84.0005.9.023	3-7	37	1				
84.0004.6.935	3-7	2	1	84.0005.9.040	3-11	10	1				
84.0004.6.940	3-3	27	2	84.0005.9.050	3-11	28	1				
84.0004.6.950	3-9	45	1	84.0005.9.096	3-14	5	1				
84.0004.7.150	3-3	39	1	84.0005.9.110	3-7	36	1				
84.0004.8.045	3-3	29	1	84.0005.9.140	3-9	0	1				
84.0004.8.085	3-7	1	1	84.0005.9.161	3-15	4	1				
84.0004.8.455	3-5	42	1	84.0005.9.165	3-15	5	0				
84.0004.8.994	3-5	65	1	84.0005.9.166	3-15	7	1				
84.0004.8.995	3-5	66	1	84.0005.9.166	3-15	9	1				
84.0004.8.996	3-5	66	3	84.0005.9.167	3-15	2	0				
84.0005.7.010	3-11	26	1	84.0005.9.170	3-14	7	1				
84.0005.7.020	3-14	3	1	84.0005.9.171	3-15	5	1				
84.0005.7.025	3-9	48	0	84.0005.9.172	3-15	2	1				
84.0005.7.030	3-9	49	0	84.0005.9.173	3-15	3	1				
84.0005.7.035	3-14	2	1	84.0005.9.174	3-15	1	2				
84.0005.7.036	3-14	4	1	84.0005.9.175	3-14	8	1				
84.0005.7.055	3-7	39	1	84.0005.9.502	3-14	9	1				
84.0005.7.059	3-11	31	1	84.0005.9.683	3-5	70	1				
84.0005.7.060	3-11	2	1	84.0005.9.684	3-5	67	1				
84.0005.7.076	3-14	6	1	84.0005.9.685	3-15	8	1				
84.0005.7.095	3-3	9	1	84.0006.0.325	3-9	0	1				
84.0005.7.110	3-3	5	1	84.0006.0.325	3-11	0	2				
84.0005.7.115	3-3	34	1	84.0006.0.326	3-13	6	2				
84.0005.7.116	3-3	34	1	84.0006.0.989	3-3	14	1				
84.0005.7.120	3-11	5	1	84.0010.7.350	3-5	51	1				
84.0005.7.122	3-9	52	0								
84.0005.7.125	3-3	19	1								
84.0005.7.130	3-11	12	4								
84.0005.7.146	3-3	36	1								
84.0005.8.625	3-3	3	1								
84.0005.8.627	3-3	4	5								
84.0005.8.680	3-3	32	1								
84.0005.8.680	3-5	0	3								
84.0005.8.682	3-5	0	3								
84.0005.8.684	3-5	0	1								