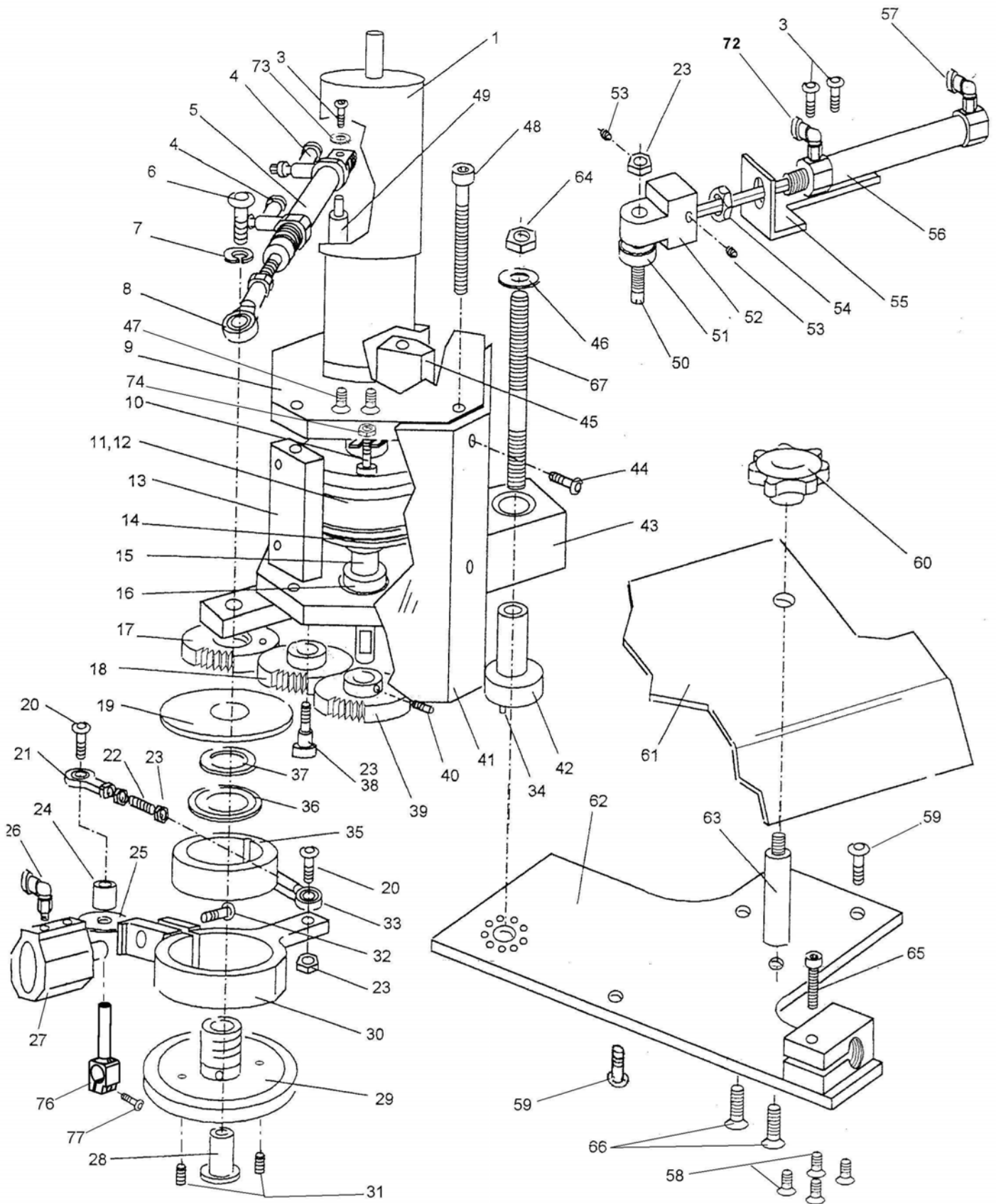


TABLE OF CONTENTS

JIG DRIVE / JIG EJECT	3-2
FINGER GUARD/SPOOL CHECKER/JIG FLAP AUTO SPART	3-6
SNUBBER ASSEMBLY	3-8
KNIFE MECHANISM	3-10
STITCH SIZE ADJUSTER ASSEMBLY	3-12
TABLE AND FRAME	3-14
ELECTRICAL BOX	3-18
PANEL KIT	3-20
PNEUMATIC PART	3-22
ACCESSORIES	3-24
NEEDLE BAR, UPRIGHT SHAFT & HOOK DRIVING SHAFT COMPONENTS	3-28
MAIN SHAFT & THREAD TAKE-UP LEVER COMPONENTS	3-32
NEEDLE BAR, UPRIGHT SHAFT & HOOK DRIVING SHAFT COMPONENTS	3-34
HAND LIFTER COMPONENTS	3-36
FEED MECHANISM COMPONENTS	3-38
THREAD TRIMMER MECHANISM COMPONENTS	3-42
KNIFE COMPONENTS	3-46
AUTOMATIC REVERSE FEED COMPONENTS	3-50
WIPER COMPONENTS	3-52
OIL LUBRICATION COMPONENTS	3-54
OIL RESERVOIR COMPONENTS	3-56
THREAD STAND COMPONENTS	3-60
TABLE OF EXCHANGING GAUGE PARTS	3-62

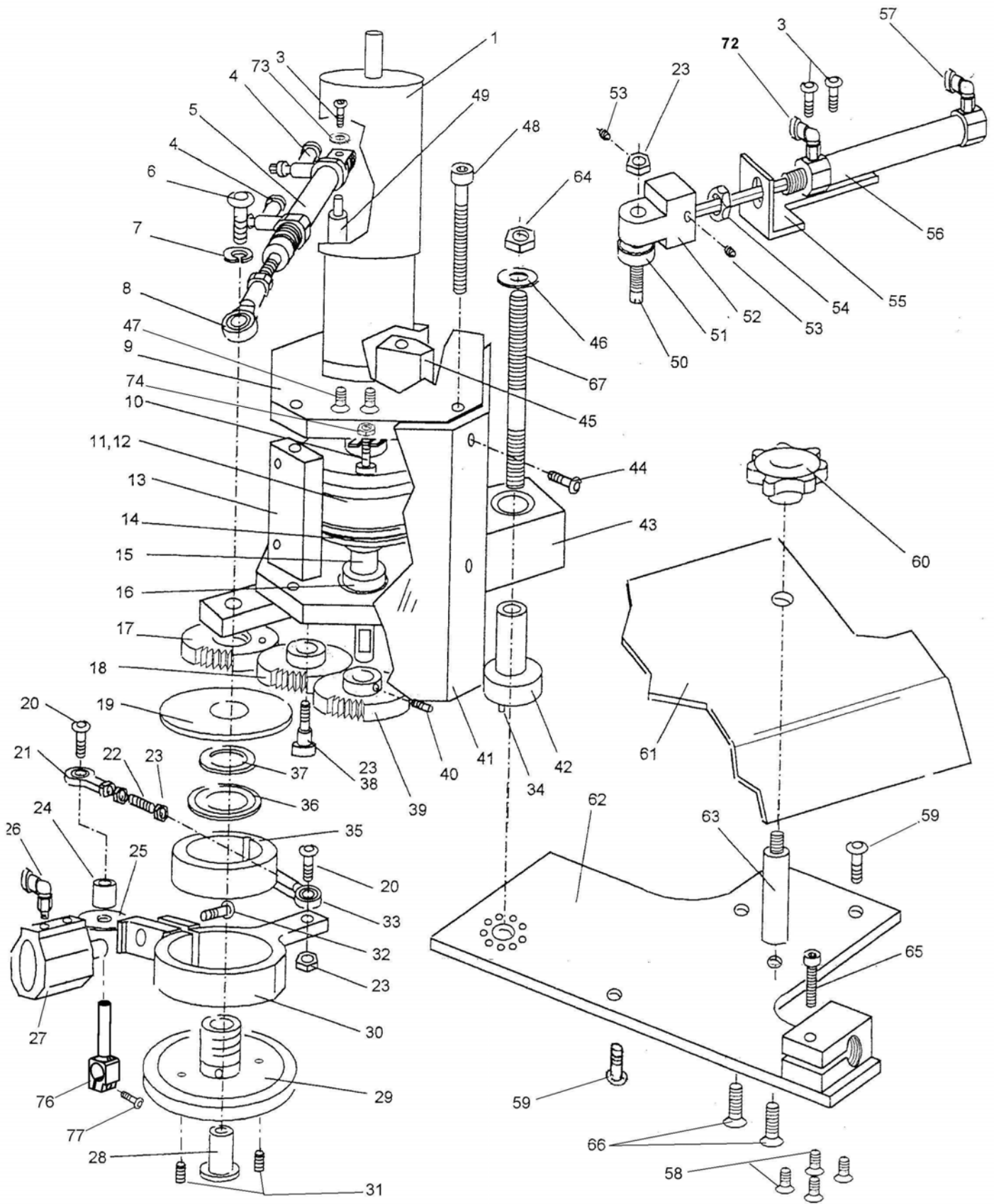
JIG DRIVE / JIG EJECT



JIG DRIVE / JIG EJECT

DET	PART NUMBER	DESCRIPTION	QTY.
01	12.0008.4.580	Maxon Motor With Gearbox	1
02			1
03	08.6200.4.008	Button Head Screws M4x8	3
04	12.0008.3.621	Flow Control	2
05	12.0008.3.659	Jig Drive	1
06	08.6000.6.035	Button Head Screw M6x35	1
07	08.6852.6.000	Washer M6	1
08	12.0008.3.700	Rod End	1
09	84.0005.9.330	Motor Mounting Plate	1
10	08.6000.3.016	Cap Head Screw M3x16	1
11	84.0005.9.520	Clutch Assembly	1
12	84.0005.9.425	Adaptor Collar	1
13	84.0005.9.345	Support Pillar	2
14	84.0005.9.520	Clutch Assembly	1
15	84.0005.9.420	Lower Adaptor Collar	1
16	84.0005.8.220	Bearing	1
17	84.0005.9.517	Drive Wheel Gear	1
18	84.0005.9.518	Transfer Gear	1
19	84.0005.9.301	Nylon Dust Cover	1
20	08.6200.5.016	Button Head Screw M5x16	2
21	12.0008.3.701	Rod End	2
22	84.0005.9.380	Ling Stud	1
23	08.6702.5.000	Nut M5	5
24	84.0004.6.535	Oil Cover Tube	1
25	84.0004.6.530	Oil Cover	1
26	12.0008.3.411	Air Fitting	2
27	84.0005.9.522	Jig Drive Clamp Cylinder	1
28	84.0002.5.280	Pivot Spindle	1
29	84.0002.9.010	Drive Wheel	1
30	84.0005.9.300	Clamp Ring	1
31	08.6400.5.004	Screw M5x4	2
32	08.6200.5.012	Button Head Screw M5x12	1
33	84.0002.8.200	Rod End	1
34	12.1014.0.308	Roll Pin (3,2 mm)	1
35	84.0002.9.070	Bearing	1
36	84.0002.9.126	Dust Cover	1
37	84.0002.9.020	Washer	1
38	08.6500.5.010	Shoulder Bolt M5x10	1
39	84.0005.9.516	Cluth Gear	1
40	08.6400.4.010	Cap Hd. Screw M4x10	1
41	84.0005.9.495	Gead	1
42	84.0005.9.340	Mounting Arm Eccentric	1
43	84.0005.9.325	Mount Arm	1
44	08.6200.3.006	Buttopn Head Screw M3x8	3
45	84.0005.9.346	Support Pillar, Rear	1
46	08.6852.8.000	Washer M8	1
47	08.6100.3.010	Screw M3x10	2
48	08.6000.6.065	Cap Head Screw M6x65	3
49	84.0003.0.620	Drive Cylinder Stud	1
50	84.0005.5.115	Bearing Stud	1

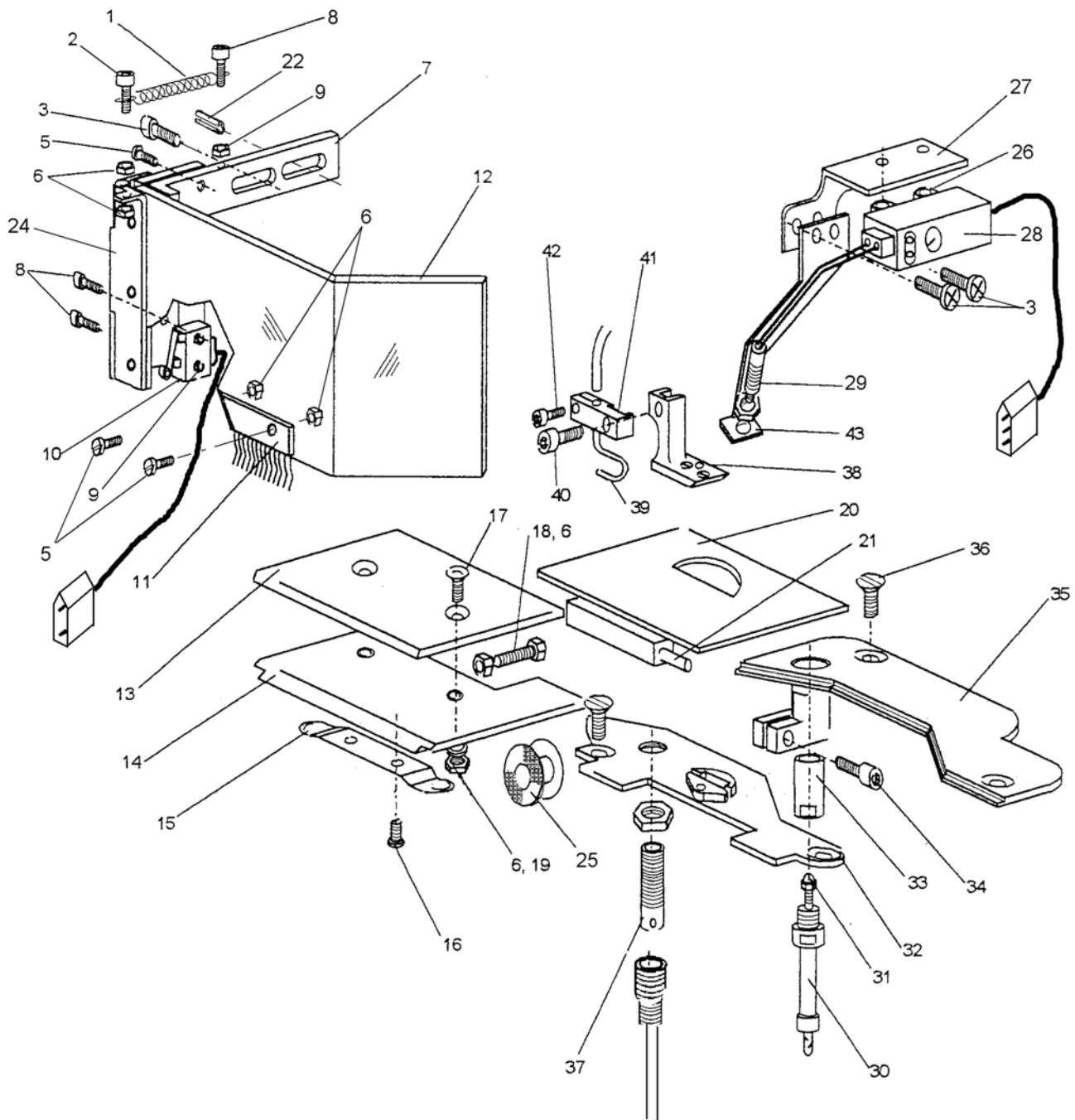
JIG DRIVE / JIG EJECT



JIG DRIVE / JIG EJECT

DET	PART NUMBER	DESCRIPTION	QTY.
51	12.2010.0.003	Bearing	1
52	84.0005.9.355	Jig Eject Block	1
53	08.6400.4.005	Grup Screw M4x5	2
54	—	Lock Nut M10	1
55	84.0005.9.350	Jig Eject Bracket	1
56	12.0008.3.670	Jig Eject Cylinder	1
57	12.0008.3.411	Air Fitting	1
58	08.6100.3.008	Screw M3x8	4
59	08.6200.5.010	Screw M5x10	2
60	84.0004.6.525	Thumb Nut	2
61	84.0005.9.570	Drive Cover	1
62	84.0005.9.505	Base Plate	1
63	84.0005.9.110	Drive Cover Stud	1
64	08.6802.8.000	Lock Nut M8	1
65	08.6000.5.025	Cap Head Screw M5x25	1
66	08.6100.5.010	Countersunk Screw M5x10	2
67	84.0004.6.935	Oivot Stud	1
68	84.0005.9.550	Male Connector (Red)	3
69	84.0005.9.551	Female Connector (Red)	3
70	84.0005.9.552	Male Connector (Blue)	1
71	84.0005.9.553	Female Connector (Blue)	1
72	12.0008.3.521	Connector	1
73	08.6852.4.000	Washer M4	1
74	08.6702.3.000	Nut M3	1
75	84.0003.0.871	Bracket Shock Absorber	1
76	84.0005.9.140	Bracket	1
77	08.6000.5.016	Screw M5x16	2

FINGER GUARD/SPOOL CHECKER/JIG FLAP AUTO SPART

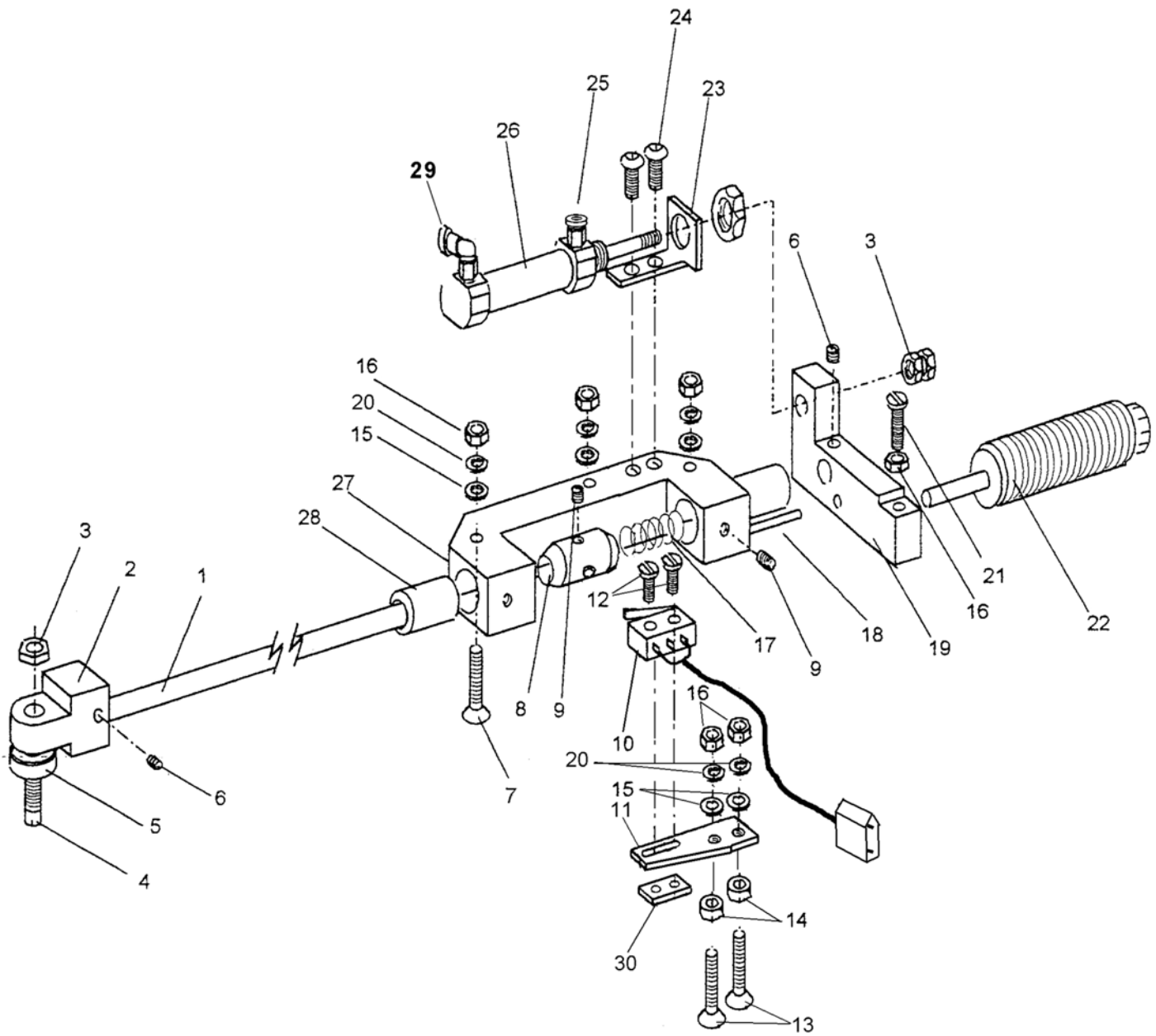


FINGER GUARD/SPOOL CHECKER/JIG FLAP AUTO SPART

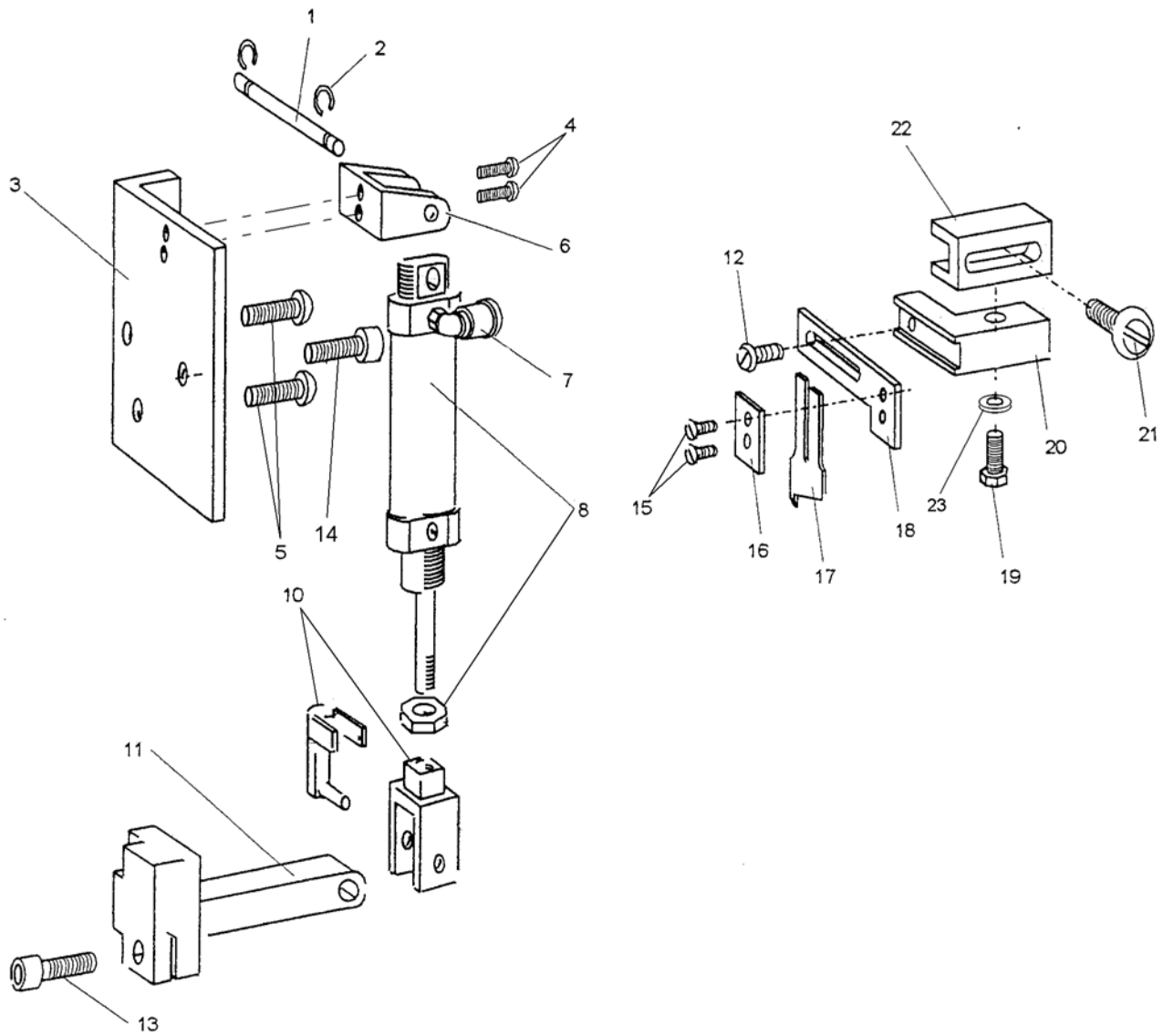
DET	PART NUMBER	DESCRIPTION	QTY.
01	84.0005.9.501	Spring	1
02	08.6000.3.012	Cap Head Screw M3x12	1
03	08.6200.5.012	Cap Head Screw M5x12	3
04			
05	08.6200.3.008	Button Head Screw 3x8	4
06	08.6702.3.000	Nut M3	7
07	84.0005.9.170	Anti-Static Brush Bracket	1
08	08.6012.7.012	Pan Head Scvrew M2.5x12	3
09	08.6702.7.000	Nut M2.5	3
10	04.9084.0.714	Safety Switch Assembly	1
11	84.0005.9.502	Anti Static Brush	1
12	84.0005.9.500	Finger Guard	1
13	84.0005.9.050	Jig Flag Cover Plate	1
14	84.0005.7.010	Jig Eject Slide Plate	1
15	84.0004.6.750	Jig Flap Spring	1
16		Pan Head Screw M3x5	2
17	08.6100.3.010	Countersunk Screw M3x10	2
18	08.6312.3.012	Hex Head Screw M3x16	1
19	08.6802.3.000	Washer M3	1
20	84.0005.9.430	Jig Flap	1
21	84.0004.0.163	Throad Plate Locating Pin	1
22	12.1014.0.510	Spring Pin 5x10	1
23	12.0008.3.473		
24	84.0001.3.203	Hinge	1
25	84.0005.9.391	Nylon Dome Nut	1
26	12.0010.4.256	Bracket	1
27	84.0005.9.090	Photocell Amplifier Bracket	1
28	04.9084.0.706	Photocell Amplifier Cable Assembly	1
29	84.0003.0.715	Photocell Head	1
30	12.0008.3.693	Ethed Spool	1
31	84.0005.9.515	Jig Flkap Cylinder	1
32	84.0005.9.365	Throat Plate - Front 3/16"	1
32*	84.0005.9.367	Throat Plate - Front 1/8"	1
32*	84.0005.9.368	Throat Plate - Front 1/4"	1
33	84.0005.9.390	Jig Flap Cyl. Mounting Tube	1
34	08.6000.4.012	Cap Head Screw M4x12	1
35	84.0005.9.366	Throad Plate - Rear	1
36	84.0005.9.016	Throad Plate Screw	4
37	12.0010.4.025	Sensor	1
38	84.0002.5.550	Presser Foot 3/16"	1
38*	84.0002.5.540	Presser Foot 1/8"	1
38*	84.0002.5.560	Presser Foot 1/4"	1
39	84.0002.5.440	Blower	1
40	08.7000.6.012	Cap Head Screw 6-40 x 1/2"	1
41	84.0002.5.450	Mounting Block	1
42	08.6000.3.006	Cap Head Screw M3x6	1
43	84.0005.9.088	Photocell Bracket	1

* — Extra parts

SNUBBER ASSEMBLY



KNIFE MECHANISM



STITCH SIZE ADJUSTER ASSEMBLY

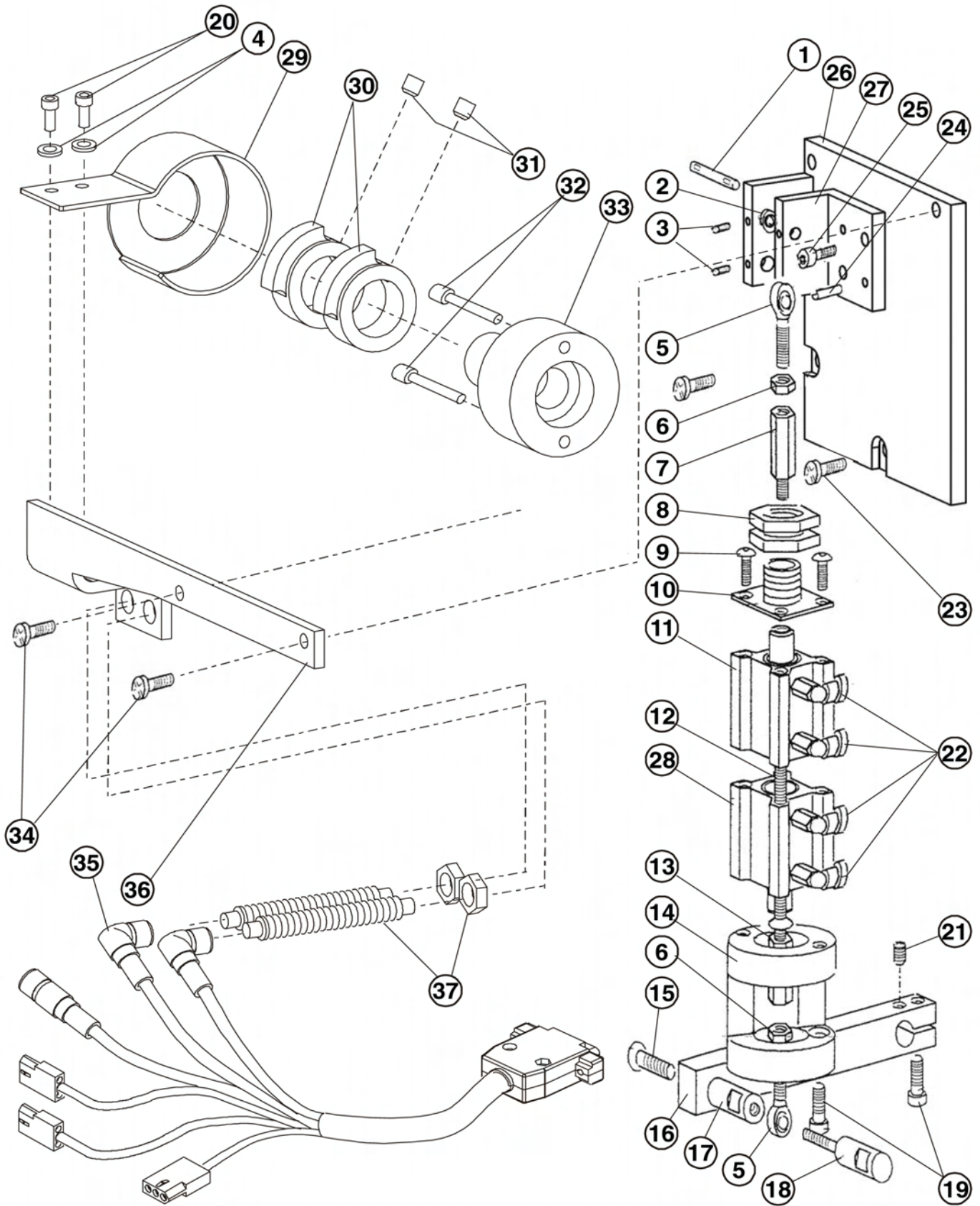


TABLE AND FRAME

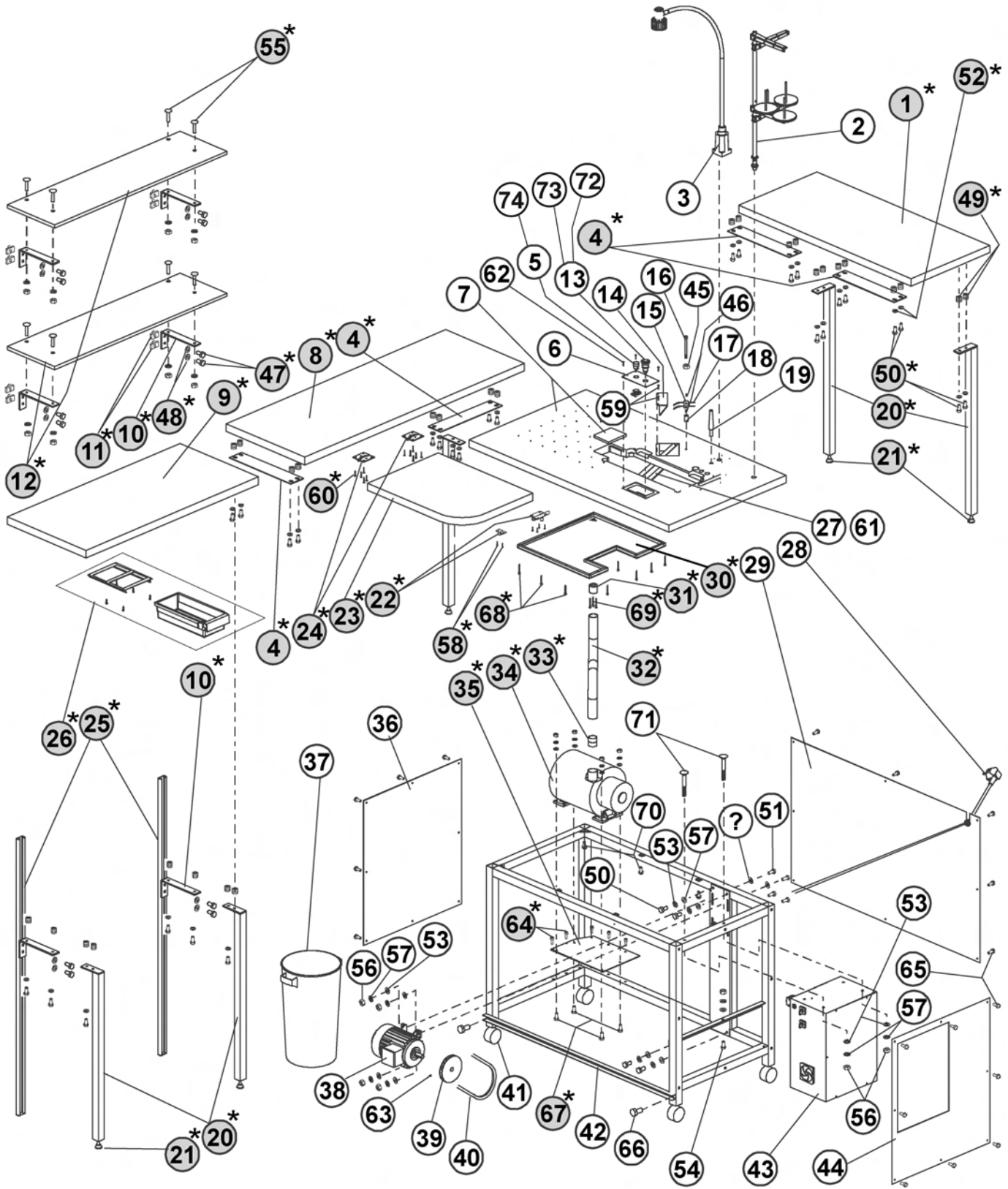
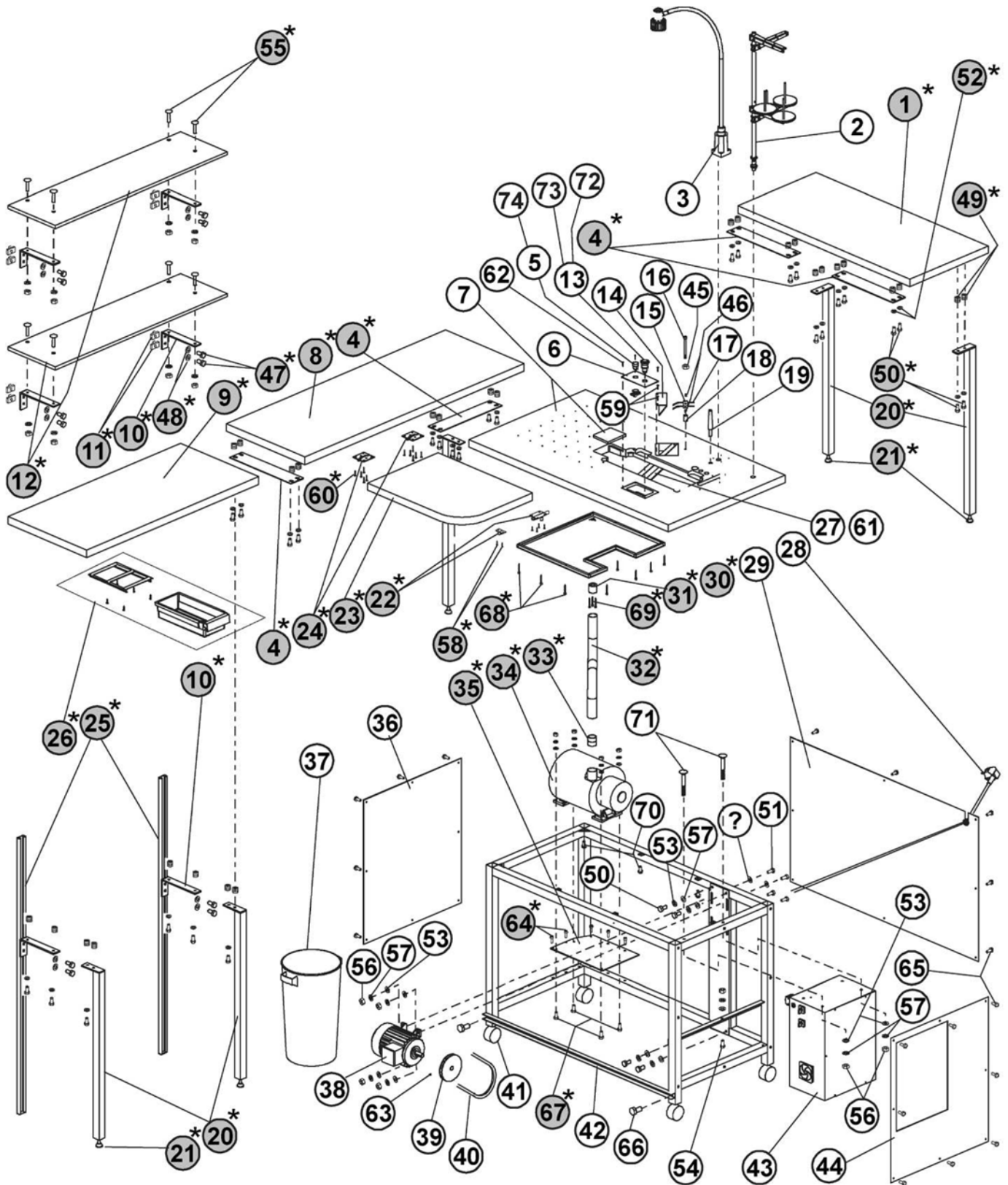


TABLE AND FRAME

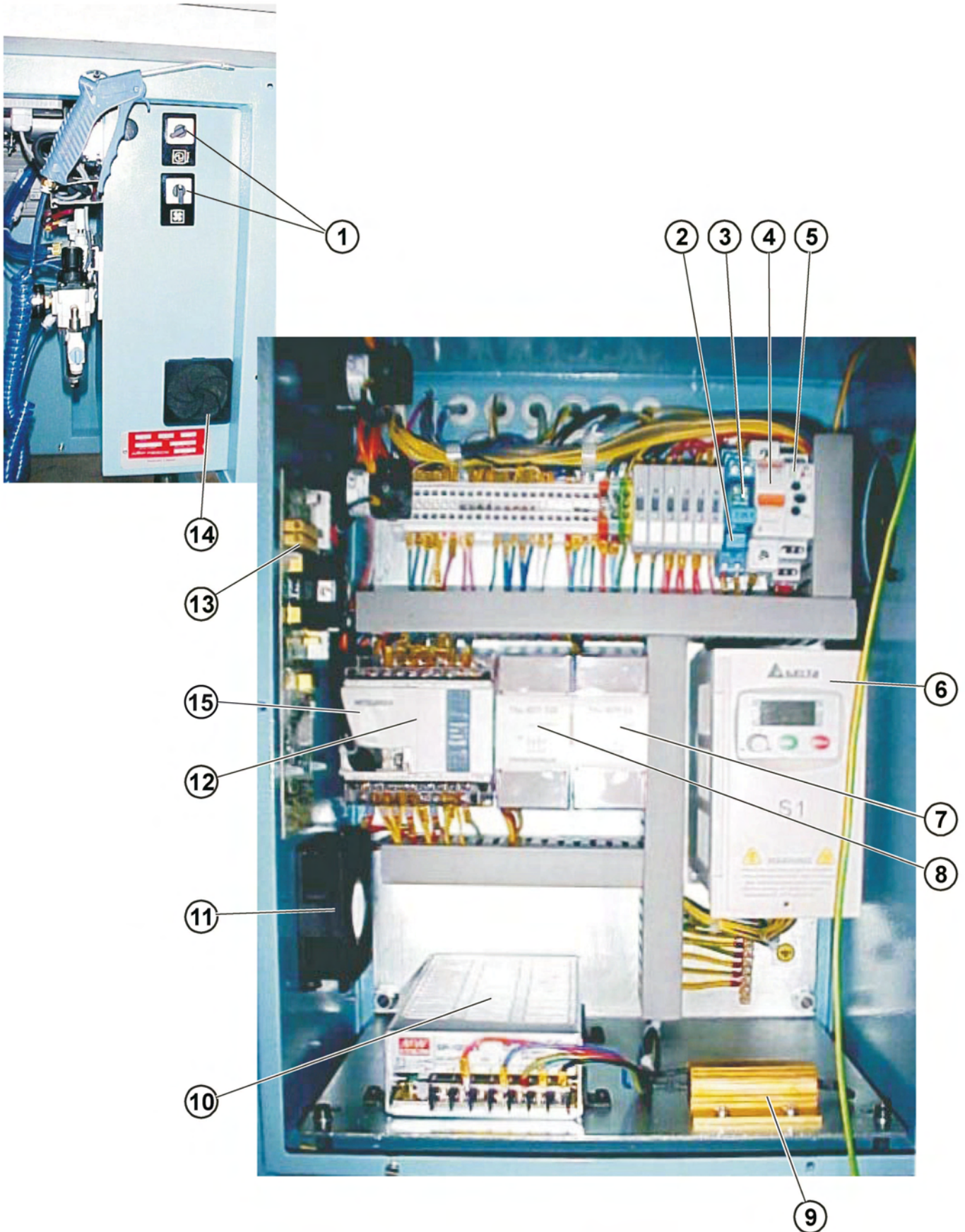
DET	PART NUMBER	DESCRIPTION	QTY.
01*	84.0002.0.436	Extension (Small)	1
02	—	Thread Stand	—
03	12.0008.4.403	Halogen Lamp Kit 12V Assembly	1
04*	84.0004.6.580	Flitch Plate	4
05	12.0008.4.868	Start Button	1
06	84.0004.8.455	Stop/Start Plate	1
07	84.0005.9.038	Table Top	1
08*	84.0002.0.430	Extension, Large	1
09*	84.0002.0.435	Extension (Small)	1
10*	84.0004.9.100	Bracket (3 Bracket Optional)	6
11*	84.0002.1.062	Clamp, Nut M10	12
12*	84.0004.6.771	Shelves	2
13	12.0008.4.584	Emergency Stop Head	1
14	84.0004.6.655	Waste Chute Edge Piece	1
15	84.0004.6.680	Waste Chute Blower Bracket	1
16	08.6000.6.080	Screw M6x80	1
17	84.0004.6.685	Waste Chute Blower	2
18	84.0004.6.790	Waste Spacer	1
19	84.0002.0.125	Aujig Wooden Peg	1
20*	84.0002.0.352	Support Leg (Short)	5
21*	84.0002.0.016	Adjustable Foot	5
22*	12.0008.6.220	Bolting Devices	1
23*	84.0002.0.440	Hingen Flap	1
24*	12.0008.6.219	Hinge	
25*	84.0002.0.345	Support Leg (Long)	2
26*	12.0008.6.901	Drayer Kit	1
27	84.0004.6.655	Waste Chute	1
28	12.0008.4.713	Cable	1
29	84.0004.6.720	Rear Panel	1
30*	84.0004.9.420	Air Flotation Box	1
31*	84.0004.6.820	Adaptor	1
32*	84.0004.6.815	Hose	1
33*	84.0004.9.036	Adaptor	1
34*	12.0008.3.267	Blower Unit	1
35*	84.0004.6.560	Blower Unit Mounting Plate	1
36	84.0004.6.725	Side Panel	1
37	84.0002.0.380	Auojig Large Cloth	1
38	12.0008.4.594	Motor	1
39	84.0005.9.057	Pulley	1
40	12.5050.1.502	V Beklt	1
41	12.0008.6.517	Caster	(4)
42	04.9084.0.002	Frame Assembly	1
43	04.9084.0.501	Electro Box Assembly	(1)
44	04.9084.0.401	Frame R. S. Panel	(1)
45	08.6702.6.000	Nut M6	1
46	08.6400.3.005	Scvrew M3x5	2
47*	08.6312.0.020	Screw M10x20	12
48*	08.6852.0.000	Washer M10	12
49*	08.6752.8.000	Nut M8	28

* Modification — 84-55 UJ

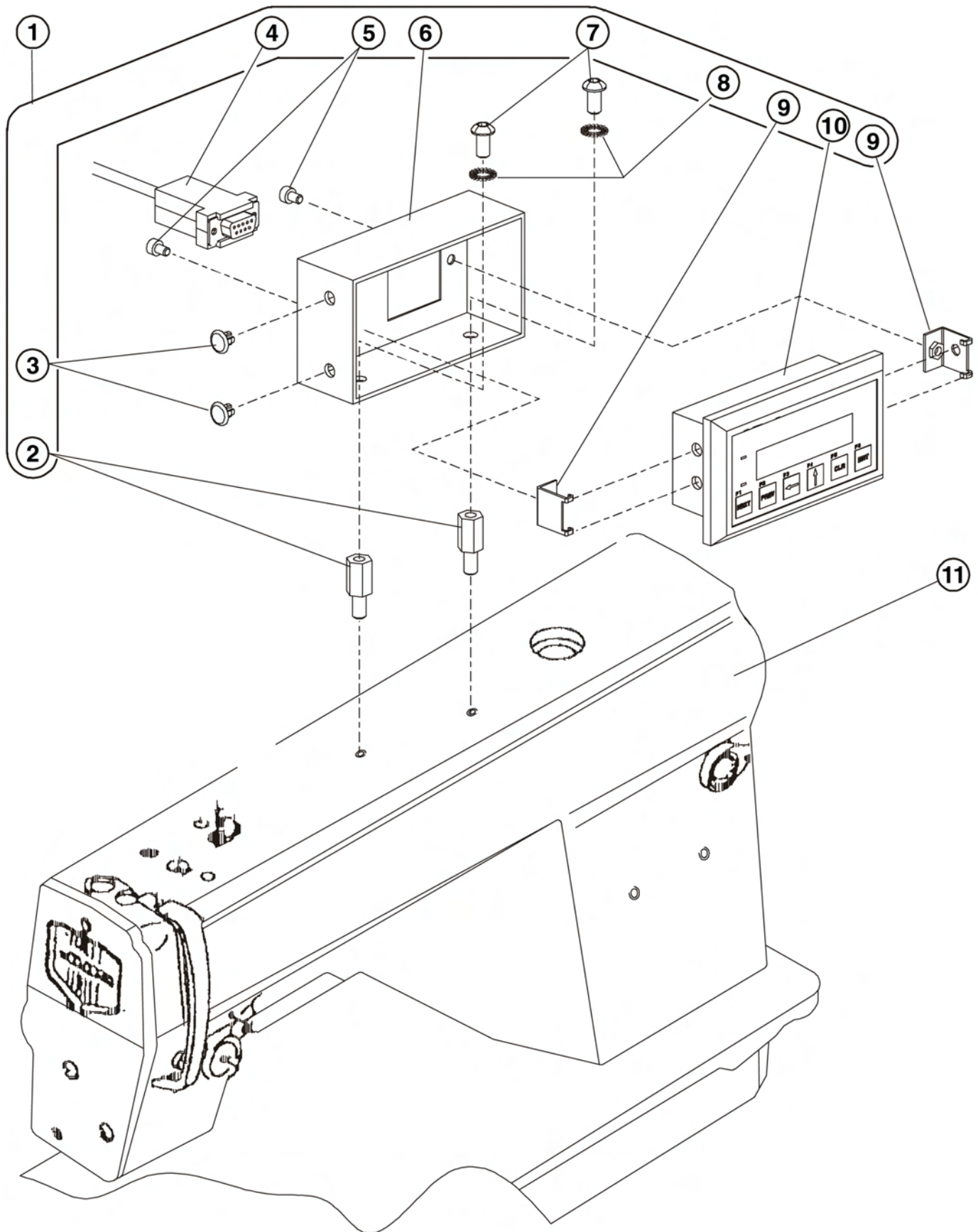
TABLE AND FRAME



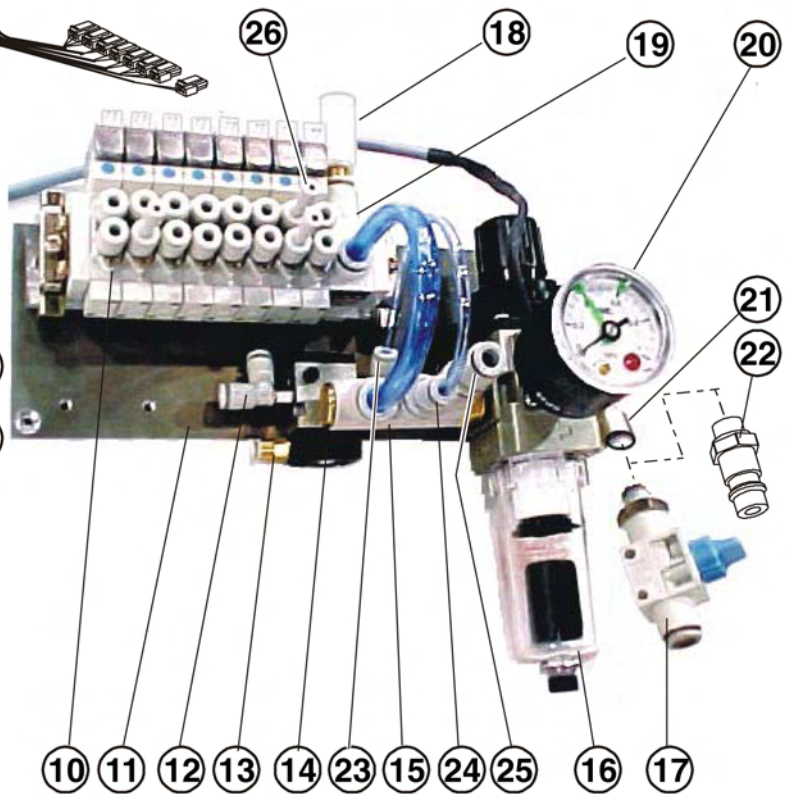
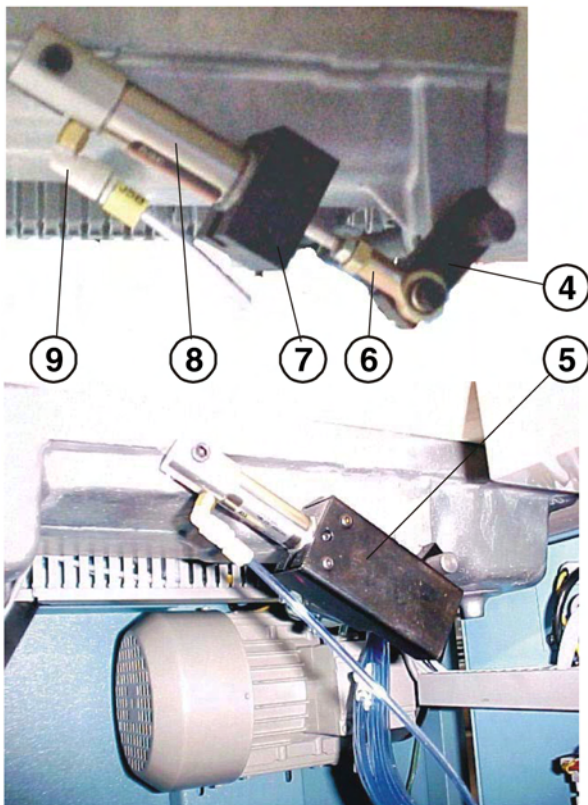
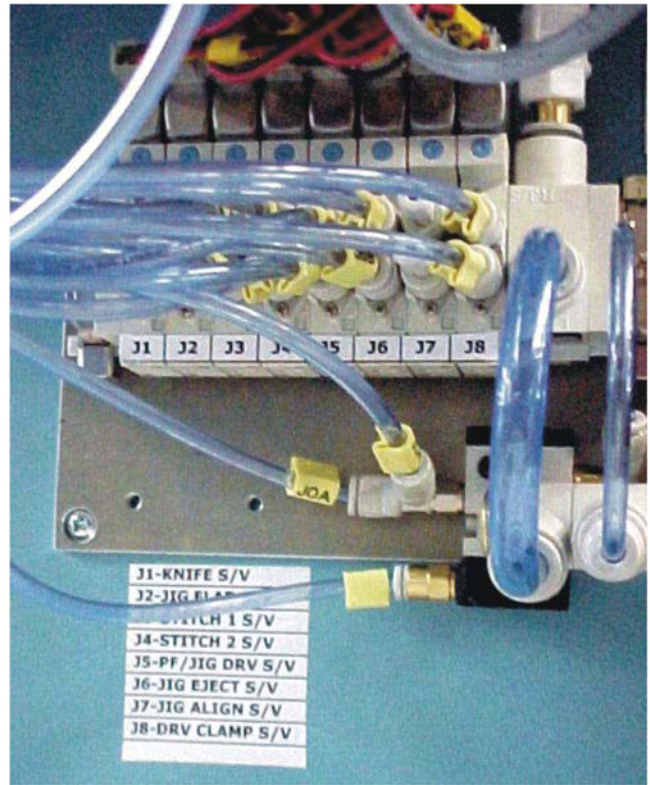
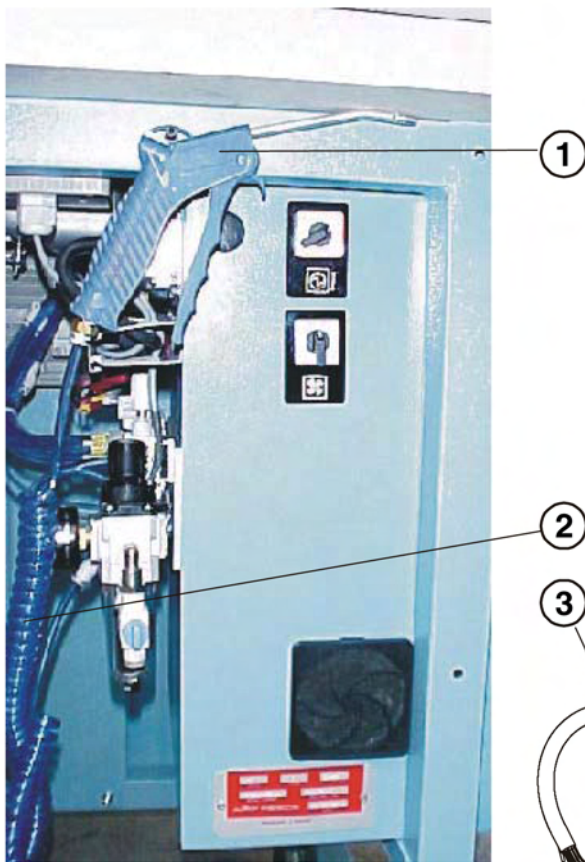
ELECTRICAL BOX



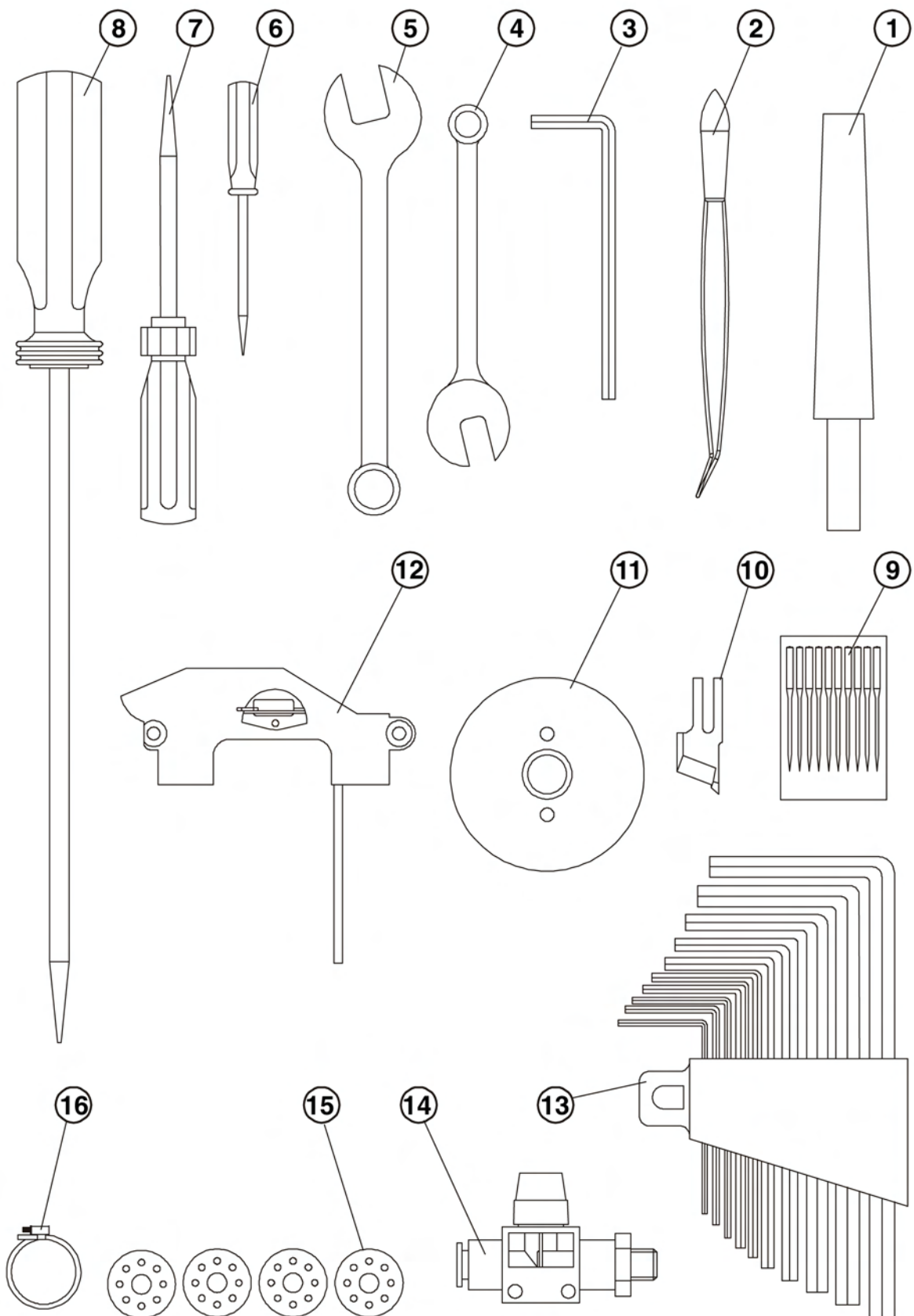
PANEL KIT



PNEUMATIC PART



ACCESSORIES



High Speed 1-Needle Lockstitch Industrial Sewing Machine with Automatic Thread Trimmer with Vertical Edge Trimmer

DLM-5400N-7

PARTS LIST

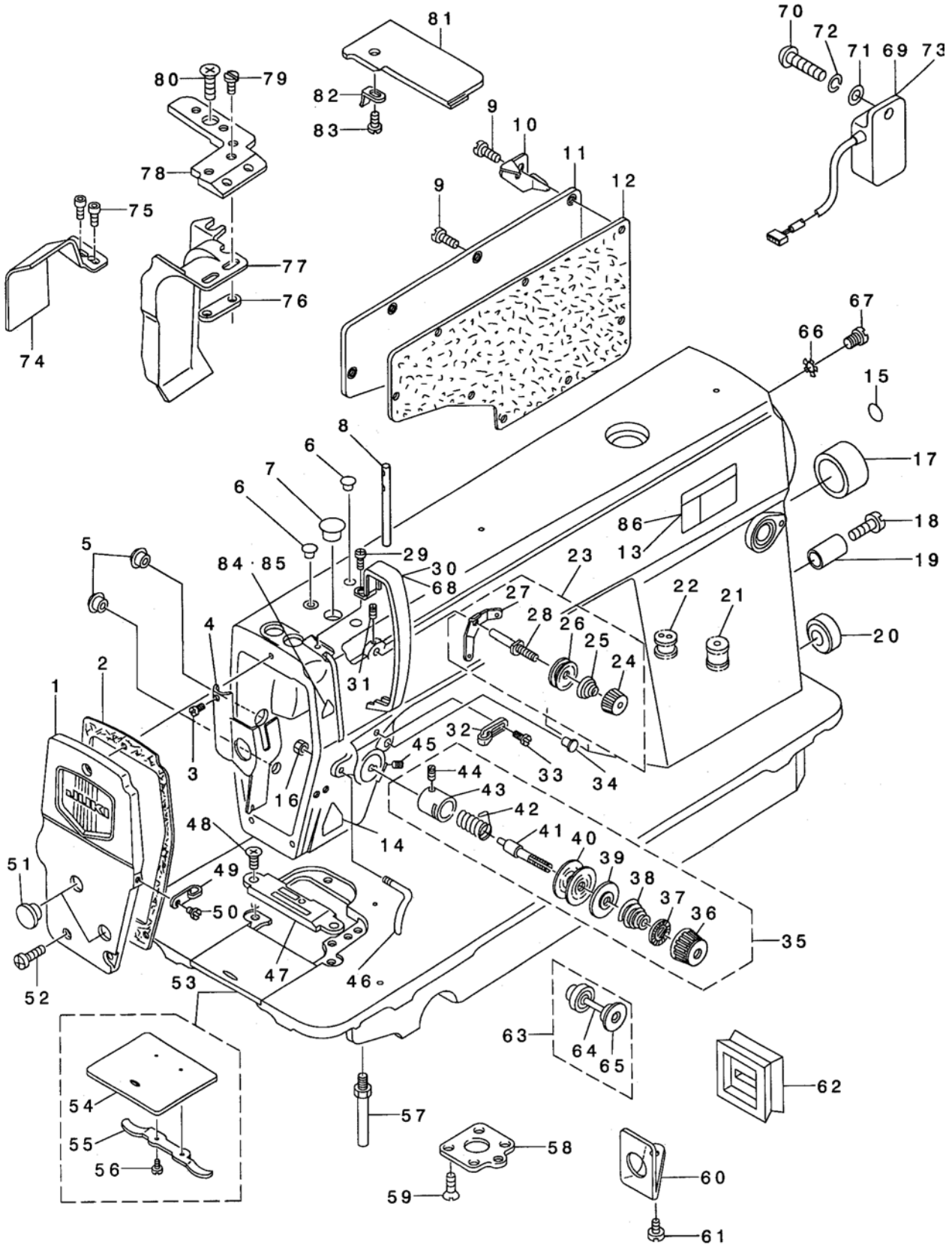
HOW TO MAKE USE OF THIS PARTS LIST

1. As to "#01" and "#02" refer to the "Note" given at the bottom of the respective pages.
2. Codes on the "Qty" column
 - Each numeral indicates the number of parts required.
 - "0.1" and "2.5" indicate the length (in meters) of the respective parts.
3. Parentheses mean that the corresponding part is a subpart that constructs an assembly part.
4. Dotted lines on the Figures indicate assembly parts.

INTERNATIONAL SALES DIVISION
8-2-1, KOKURYO-CHO,
CHOFU-SHI, TOKYO 182, JAPAN
PHONE : 03(3430)4001 ~ 5
FAX : 03(3430)4909 · 4914 · 4984
TELEX : J22967

29133501
No.0892-03

NEEDLE BAR, UPRIGHT SHAFT & HOOK DRIVING SHAFT COMPONENTS



NEEDLE BAR, UPRIGHT SHAFT & HOOK DRIVING SHAFT COMPONENTS

DET	PART NUMBER	DESCRIPTION	QTY.
01	113-25750	FACE PLATE ASM.	1
02	113-00506	FACE PLATE GASKET	1
03	SS-6080410-SP	SCREW 1/8-44 L=4	1
04	110-00858	ARM OIL SHIELD ASM.	1
05	TA-1250504-R0	RUBBER PLUG	2
06	TA-0850604-R0	RUBBER PLUG	2
07	TA-1250705-R0	RUBBER PLUG	1
08	B1114-012-000	THREAD GUIDE PIN	1
09	SS-4120915-SP	SCREW 3/16-28 L=9	8
10	111-02605	CORD HOLDER #01	1
11	110-70901	SIDE PLATE	1
12	110-00619	GASKET	1
13	CM-3002001-A1	SAFETY LABEL.,3 (SMALL). #04	1
14	CM-3002000-C1	CAUTION LABEL #07	1
15	100-04109	GROUND MARK	1
16	NS-6090310-SP	NUT 9/64-40	1
17	TA-2000502-R0	RUBBER PLUG	1
18	SS-6121840-SP	SCREW 3/16-28 L=18 #02	1
19	111-00500	REVERSE FEED LEVER STOPPE #02	1
20	TA-2101002-R0	RUBBER PLUG	1
21	110-30202	RUBBER BUSHING #03	1
22	111-00104	MAGNET CORD RUBBER #02	1
23	110-72451	THREAD TENSION ASM.	1
24	110-45309	THREAD TENSION NUT	(1)
25	110-45101	THREAD TENSION SPRING	(1)
26	B3214-047-000	BOBBIN WINDER TENSION DISC	(2)
27	110-45200	THREAD TENSION GUIDE	(1)
28	110-45002	FIRST TENSION POST	(1)
29	SS-4120615-SP	SCREW 3/16-28 L=6	1
30	114-00405	THREAD TAKE-UP LEVER COVER	1
31	SS-4120615-SP	SCREW 3/16-28 L=6	1
32	110-18504	ARM THREAD GUIDE A	1
33	110-01500	SCREW	1
34	TA-0850604-R0	RUBBER PLUG	1
35	110-72352	THREAD TENSION ASM.	1
36	110-72204	TENSION NUT	(1)
37	B3120-125-000	ROTATING STOPPER	(1)
38	B3129-012-A00	TENSION SPRING	(1)
39	B3132-552-000	THREAD TENSION DISK PRESSER	(1)
40	B3126-012-000	THREAD TENSION DISK	(2)
41	B3115-552-000	TENSION POST	(1)
42	B3128-012-000	TAKE-UP SPRING	(1)
43	B3111-126-000	TENSION POST SOCKET	(1)

NOTE: #01.....FOR DLM-5400N,7-0B,-W0,-WB

#02.....FOR DLM-5400N-7-0B,-WB

#03.....FOR DLM-5400N-7-00,-W0

#04.....EXCEPT JE,DOMESTIC USE

#05.....FOR JE

#06.....FOR JA

#07.....FOR DOMESTIC USE

NEEDLE BAR, UPRIGHT SHAFT & HOOK DRIVING SHAFT COMPONENTS

DET	PART NUMBER	DESCRIPTION	QTY.
44	SS-8090670-SP	SCREW 9/64-40 L= 5.5	(1)
45	SS-8150710-SP	SCREW 15/64-28 L=7	1
46	113-05513	ARM THREAD GUIDE, C	1
47	B1190-522-S00	GAUGE PLATE 1/8 S	1
48	SS-2110915-SP	SCREW 11/64-40 L=8.5	2
49	110-18603	ARM THREAD GUIDE B	1
50	SS-6110610-TP	SCREW 11/64-40 L=6	1
51	TA-1250406-R0	RUBBER PLUG D=12.5 L=4	2
52	SS-4121015-SP	SCREW 3/16-28 L=10	3
53	110-01658	BED SLIDE ASM.	1
54	B1110-012-000	SLIDE PLATE	(1)
55	110-01609	BED SLIDE SPRING	(1)
56	SS-6060210-SP	SCREW 3/32-56 L= 1.9	(1)
57	110-01104	BED SCREW STUD	4
58	113-00407	PRESSER BAR SUPPORT	1
59	SS-1120710-SP	SCREW 3/16-28 L=6.5	4
60	113-45709	OIL SHIELD	1
61	SS-6110610-TP	SCREW 11/64-40 L=6	1
62	113-45600	OIL RUBBER	1
63	B3133-415-0A0	TENSION RELEASE PIN CAP ASM.	1
64	B3118-415-000	TENSION RELEASE PIN	(1)
65	B3136-415-000	CAP RING	(1)
66	WT-0530002-KS	TOOTHED WASHER D=5.3	1
67	SS-4120615-SP	SCREW 3/16-28 L=6	1
68	180-77503	THREAD TAKE-UP LEVER COVER	1
69	M6001-350-AAA	RESISTANCE PACK AA ASM.	1
70	SS-4121215-SP	SCREW 3/16-28 L=12	1
71	WP-0501016-SD	WASHER 5X10.5X1	1
72	WS-0510002-KP	SPRING WASHER 5.1X9.2X1.3	1
73	M6001-350-AAF	RESISTANCE PACK AF ASM.	1
74	113-46400	WASTE MATERIAL GUIDE	1
75	113-45808	SCREW	2
76	B1193-530-000	WASTE MATERIAL GUARD PLATE	1
77	113-46905	WASTE MATERIAL GUARD, E	1
78	113-46004	NEEDLE PLATE, A	1
79	SS-4080310-SP	SCREW 1/8-44 L=3.4	2
80	SS-2110915-SP	SCREW 11/64-40 L=8.5	2
81	B1115-530-00F	THROAT PLATE COVER F	1
82	B1115-522-000-A	OPEN COVER SPRING	1
83	SS-4080310-SP	SCREW 1/8-44 L=3.4	1
84	CM-3002000-01	ATTENTION SEAL	#05
85	CM-3002000-B1	LABEL(16)	#07
86	CM-3002001-01	SAFETY LABEL, 1(SMALL).	#07

NOTE: #01.....FOR DLM-5400N,7-0B,-W0,-WB

#02.....FOR DLM-5400N-7-0B,-WB

#03.....FOR DLM-5400N-7-00,-W0

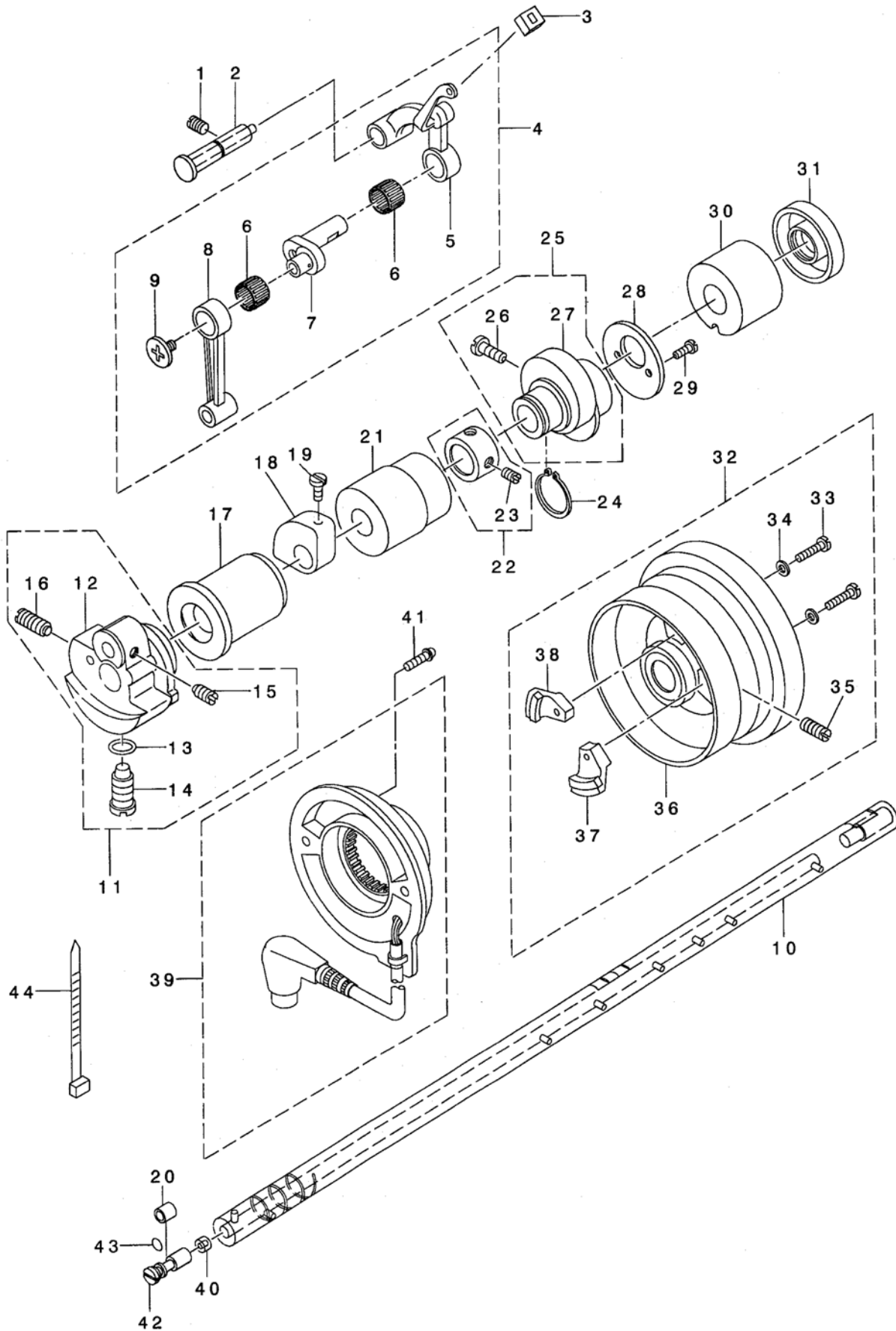
#04.....EXCEPT JE,DOMESTIC USE

#05.....FOR JE

#06.....FOR JA

#07.....FOR DOMESTIC USE

MAIN SHAFT & THREAD TAKE-UP LEVER COMPONENTS

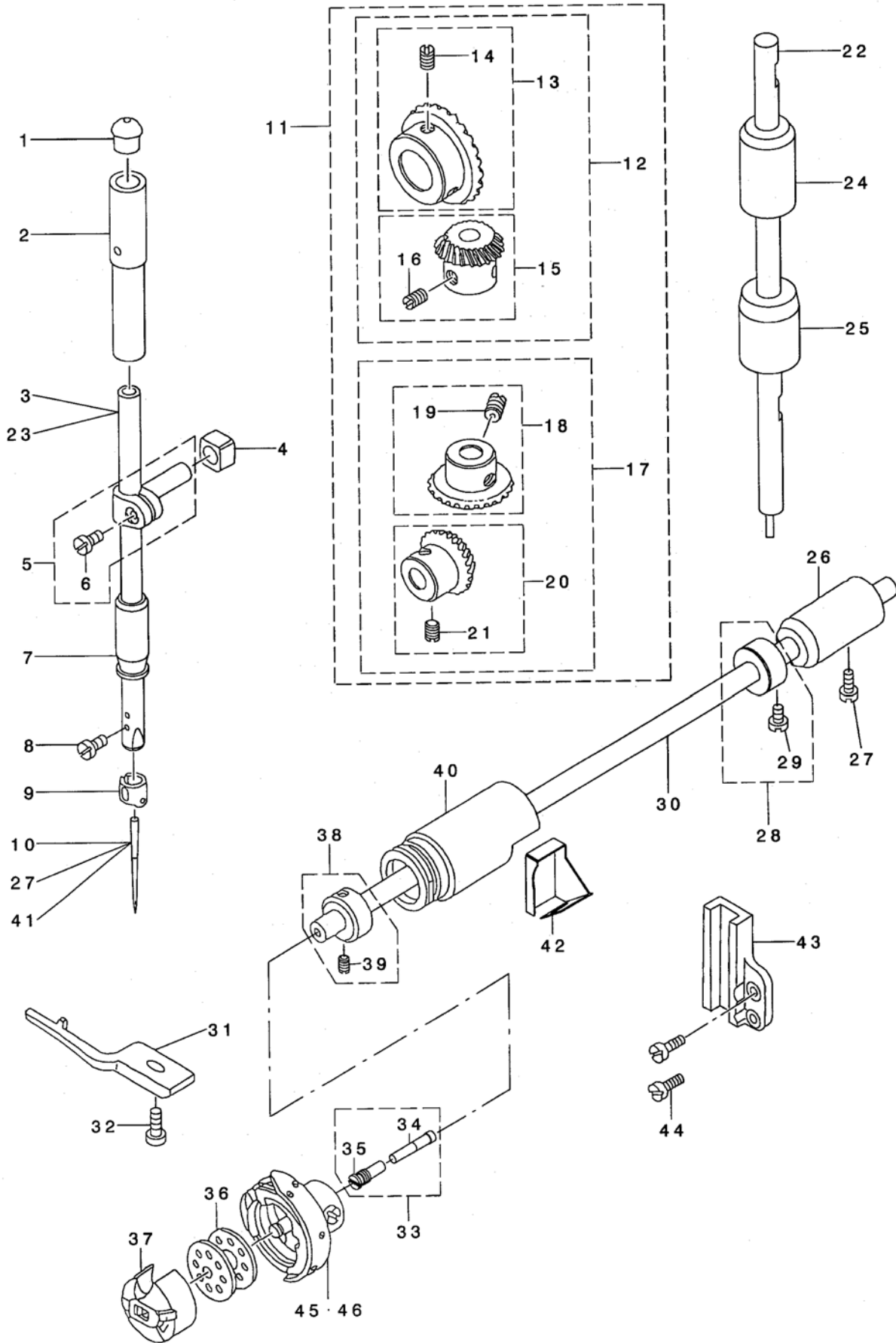


MAIN SHAFT & THREAD TAKE-UP LEVER COMPONENTS

DET	PART NUMBER	DESCRIPTION	QTY.
01	SS-8151150-SP	SCREW 15/64-28 L=10.5	1
02	110-17357	THREAD TAKE-UP CRANK SHAFT	1
03	B1909-505-000	RUBBER	1
04	110-39070	THREAD TAKE-UP LEVER ASM.	1
05	110-39062	THREAD TAKE-UP LEVER ASM.	(1)
06	B1905-541-B00	NEEDLE BEARING #01	(2)
07	110-05204	NEEDLE BAR CRANK	(1)
08	B1408-552-000	NEEDLE BAR CRANK ROD	(1)
09	B1903-552-000	LEFT SCREW	(1)
10	113-49008	MAIN SHAFT	1
11	113-49370	COUNTERWEIGHT ASM. M	1
12	113-49214	COUNTERWEIGHT	(1)
13	RO-0442401-00	RUBBER RING	(1)
14	SS-7681650-TP	SCREW 9/32-28 L=16	(1)
15	SS-8660610-TP	SCREW 1/4-40 L=6	(2)
16	SS-8681650-TP	SCREW 9/32-28 L=16	(1)
17	113-49107	BUSHING, FRONT	1
18	113-49404	BALANCER	1
19	SS-7150940-SP	SCREW 15/64-28 L=9	2
20	B1215-552-000	OIL ADJUSTING COLLAR	1
21	110-02300	BUSHING, INTERMEDIATE	1
22	CS-147121A-SH	THRUST COLLAR ASM.D=14.72 W=12	1
23	SS-8660610-TP	SCREW 1/4-40 L=6	(2)
24	RC-1850001-KP	SNAP RING 18.5	1
25	110-08059	FEED DRIVE ECCENTRIC CAM ASM.	1
26	SS-6661110-SP	SCREW 1/4-40 L=11	(2)
27	110-08000	FEED DRIVE ECCENTRIC CAM	(1)
28	110-08109	THRUST COLLAR	1
29	SS-6090650-SP	SCREW 9/64-40 L=6	2
30	110-02409	MAIN SHAFT BUSHING, REAR	1
31	110-02508	OIL SEAL	1
32	110-71461	HAND WHEEL ASM.	1
33	SS-6111210-SP	SCREW 11/64-40 L=12	(2)
34	WP-0450801-SD	WASHER 4.5X10X0.8	(2)
35	SS-8151550-SP	SCREW 15/64-28 L=15	(2)
36	110-32158	HAND WHEEL ASM.	(1)
37	M4007-110-0AA	MAGNET FITTING BASE A ASM.	(1)
38	M4007-110-0AB	MAGNET FITTING BASE B ASM.	(1)
39	110-32562	DYNAMO STATOR	1
40	110-02904	ROLLER FELT	1
41	SL-4051001-MZ	SCREW M5 L=9.6	2
42	110-03001	OIL AMOUNT ADJUSTING PIN	1
43	RO-0291801-00	RUBBER RING	1
44	HX-0004300-00	CLIP	1

NOTE: #01.....SELECTIVE PART (A ~ D)

NEEDLE BAR, UPRIGHT SHAFT & HOOK DRIVING SHAFT COMPONENTS

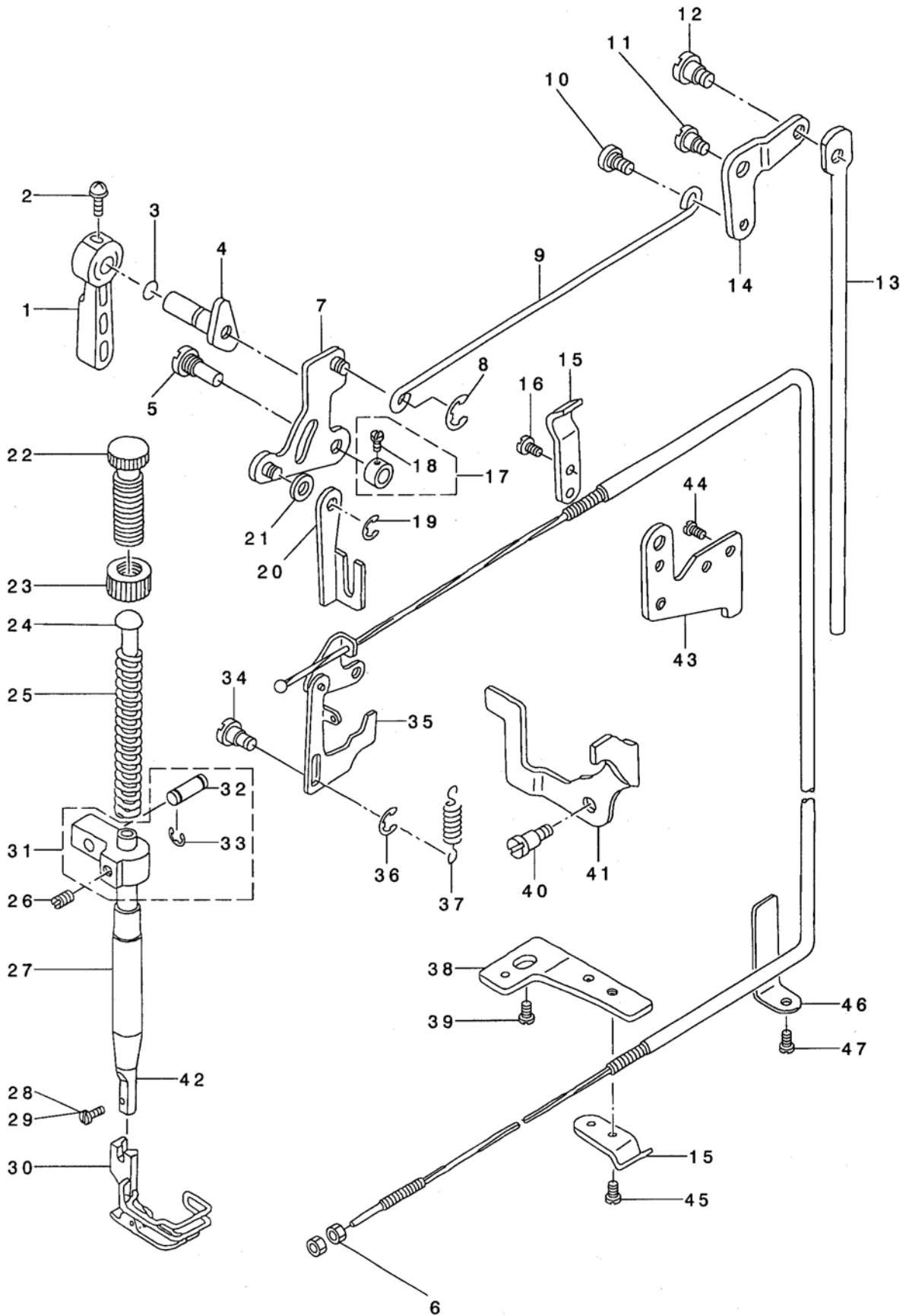


NEEDLE BAR, UPRIGHT SHAFT & HOOK DRIVING SHAFT COMPONENTS

DET	PART NUMBER	DESCRIPTION	QTY.
01	B1405-012-000	CAP	1
02	B1402-552-000-A	NEEDLE BAR BUSHING, UPPER	1
03	113-49701	NEEDLE BAR, A	1
04	B1414-555-000	SLIDE BLOCK	1
05	B1411-552-0A0	NEEDLE ROD HOLDER ASM.	1
06	SS-6090670-TP	SCREW 9/64-40 L=6	(1)
07	B1403-155-000	NEEDLE BAR BUSHING, LOWER	1
08	SS-7080510-TP	SCREW 1/8-44 L=4.5	1
09	B1418-530-000	NEEDLE BAR THREAD GUIDE	1
10	MDB-100B1400	NEEDLE DBX1 #14	1
11	B1306-155-0C0	GEAR & PINION ASM.	1
12	B1306-155-0B0	GEAR & PINION ASM., UPPER	(1)
13	B1305-012-0A0	GEAR ASM.	(1)
14	SS-8660810-TP	SCREW 1/4-40 L=8	(2)
15	B1306-155-0A0	PINION ASM.	(1)
16	SS-8660810-TP	SCREW 1/4-40 L=8	(2)
17	B1307-155-0B0	GEAR & PINION ASM., LOWER	(1)
18	B1307-155-0A0	GEAR ASM. LARGE	(1)
19	SS-8660810-TP	SCREW 1/4-40 L=8	(2)
20	B1308-155-0A0	PINION ASM.	(1)
21	SS-8660810-TP	SCREW 1/4-40 L=8	(2)
22	110-04009	UPRIGHT SHAFT	1
23	113-49800	NEEDLE BAR, B #02	1
24	110-04306	BUSHING B, UPPER	1
25	110-04207	UPRIGHT SHAFT BUSHING, LOWER	1
26	110-15807	BUSHING, REAR	1
27	MC-2005009-00	NEEDLE 134 90 #03	1
28	CS-079101A-SH	THRUST COLLAR ASM. D=7.94 W=10	1
29	SS-6110420-TP	SCREW 11/64-40 L=4.8	(2)
30	110-15005	HOOK DRIVING SHAFT	1
31	110-38809	BOBBIN CASE HOLDER	1
32	SS-6111010-SP	SCREW 11/64-40 L= 9.5	1
33	110-15955	OIL SEAL SCREW ASM.	1
34	110-15906	OIL WICK	(1)
35	B1808-552-000	OIL SEAL SCREW	(1)
36	B9117-012-000	BOBBIN	1
37	110-38759	BOBBIN CASE ASM.	1
38	CS-079073A-SH	THRUST COLLAR ASM.	1
39	SS-8110410-TP	SCREW 11/64-40 L= 3.5	(2)
40	113-51004	BUSHING, FRONT	1
41	MDP-500B1400	NEEDLE DPX5 #14 #01	1
42	110-38908	OIL SHIELD	1
43	113-49909	ROLLER GUIDE BRACKET	1
44	SS-4120915-SP	SCREW 3/16-28 L=9	2
45	111-41355	HOOK ASM.	1
46	110-38650	HOOK ASM. #04	1
47	SS-4120915-SP	SCREW 3/16-28 L=9	1

NOTE: #01.....FOR JO #03.....FOR JE
#02.....FOR JE, JO #04.....FOR DOMESTIC USE, JH

HAND LIFTER COMPONENTS



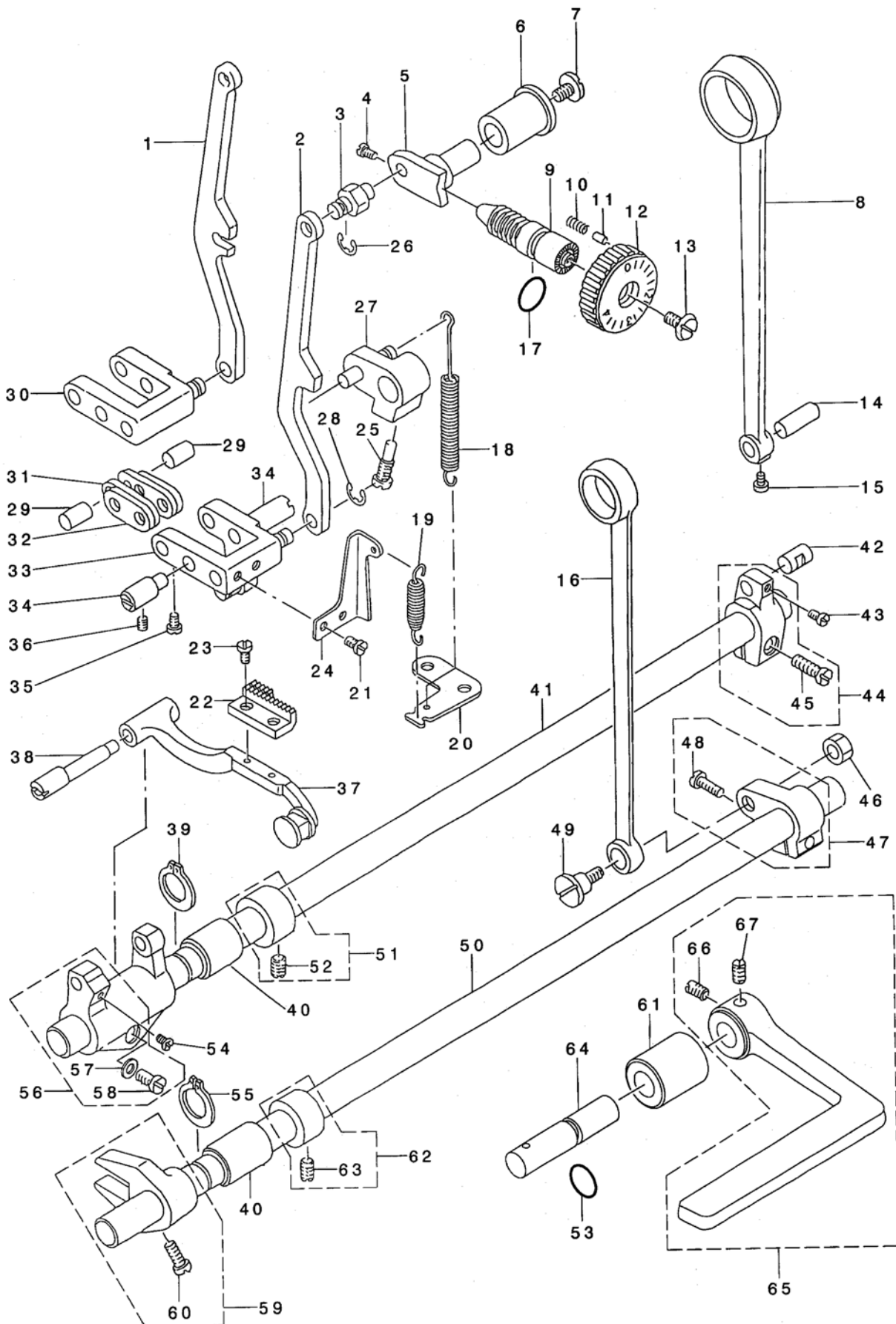
HAND LIFTER COMPONENTS

DET	PART NUMBER	DESCRIPTION	QTY.
01	110-71800	HAND LIFTER	1
02	B1521-555-000	SCREW	1
03	RO-0371801-00	RUBBER RING	1
04	110-06756	HAND LIFTER CAM ASM.	1
05	113-01702	LINK SHAFT	1
06	NS-6620310-SP	NUT 3/16-32	2
07	110-06350	HAND LIFTER LINK	1
08	RE-0500000-K0	E-RING	1
09	110-06905	LIFTING LEVER CONNECTING ROD	1
10	110-07101	HINGE SCREW	1
11	SD-0720331-SP	HINGE SCREW D= 7.24 H= 3.3	1
12	SD-0600322-SD	HINGE SCREW D=6 H=3.2	1
13	112-05408	CONNECTING ROD	1
14	112-05309	LIFTING LEVER LINK	1
15	110-45408	WIRE HOLDER A	2
16	SS-7110720-SP	SCREW 11/64-40 L=7	1
17	CS-064061A-SP	THRUST COLLAR ASM.	1
18	SS-7090620-TP	SCREW 9/64-40 L=6.1	(2)
19	RE-0500000-K0	E-RING	1
20	113-01652	LIFTING LEVER ASM.	1
21	WP-0650876-SD	WASHER 6.5X13X0.8	1
22	110-71602	PRESSER SPRING REGULATOR	1
23	110-71701	NUT	1
24	B1510-227-000	PRESSER GUIDE BAR	1
25	B1505-227-000-A	PRESSER SPRING	1
26	SS-8660610-TP	SCREW 1/4-40 L=6	1
27	B1502-541-000	PRESSER BAR BUSHING, LOWER	1
28	SS-7090710-SP	SCREW 9/64-40 L= 6.8	#01 1
29	SS-6090910-SP	SCREW 9/64-40 L=9	#04 1
30	B1524-530-DB0	PRESSER FOOT ASM.	#03 1
31	113-01355	NEEDLE BAR GUIDE BRACKET ASM.	1
32	113-01405	PIN	(1)
33	RE-0300000-K0	E-RING 3	(2)
34	113-06107	TENSION RELEASE PLATE SHAFT	1
35	113-55450	TENSION RELEASE LINK ASM.	1
36	RE-0300000-K0	E-RING 3	1
37	113-05901	SPRING	1
38	110-45705	WIRE HOLDER BRACKET (LOWER)	1
39	SS-4150915-SP	SCREW 15/64-28 L=9	#02 1
40	SD-0640261-SP	HINGE SCREW D=3.65 H=2.6	1
41	113-55609	TENSION RELEASE HOLDER	1
42	B1501-530-000	PRESSER BAR	1
43	113-55203	WIRE HOLDER BRACKET, UPPER	1
44	SS-4120615-SP	SCREW 3/16-28 L=6	1
45	SS-7110410-SP	SCREW 11/64-40 L=4	1
46	110-46000	WIRE CABLE HOLDER	1
47	SS-4120615-SP	SCREW 3/16-28 L=6	1

NOTE: #01.....FOR DLM-5400N-7-00,-0B #03.....FOR EXPORT

#02.....FOR DLM-5400N-7-00,-W0 #04.....FOR DLM-5400N-7-W0,-WB

FEED MECHANISM COMPONENTS



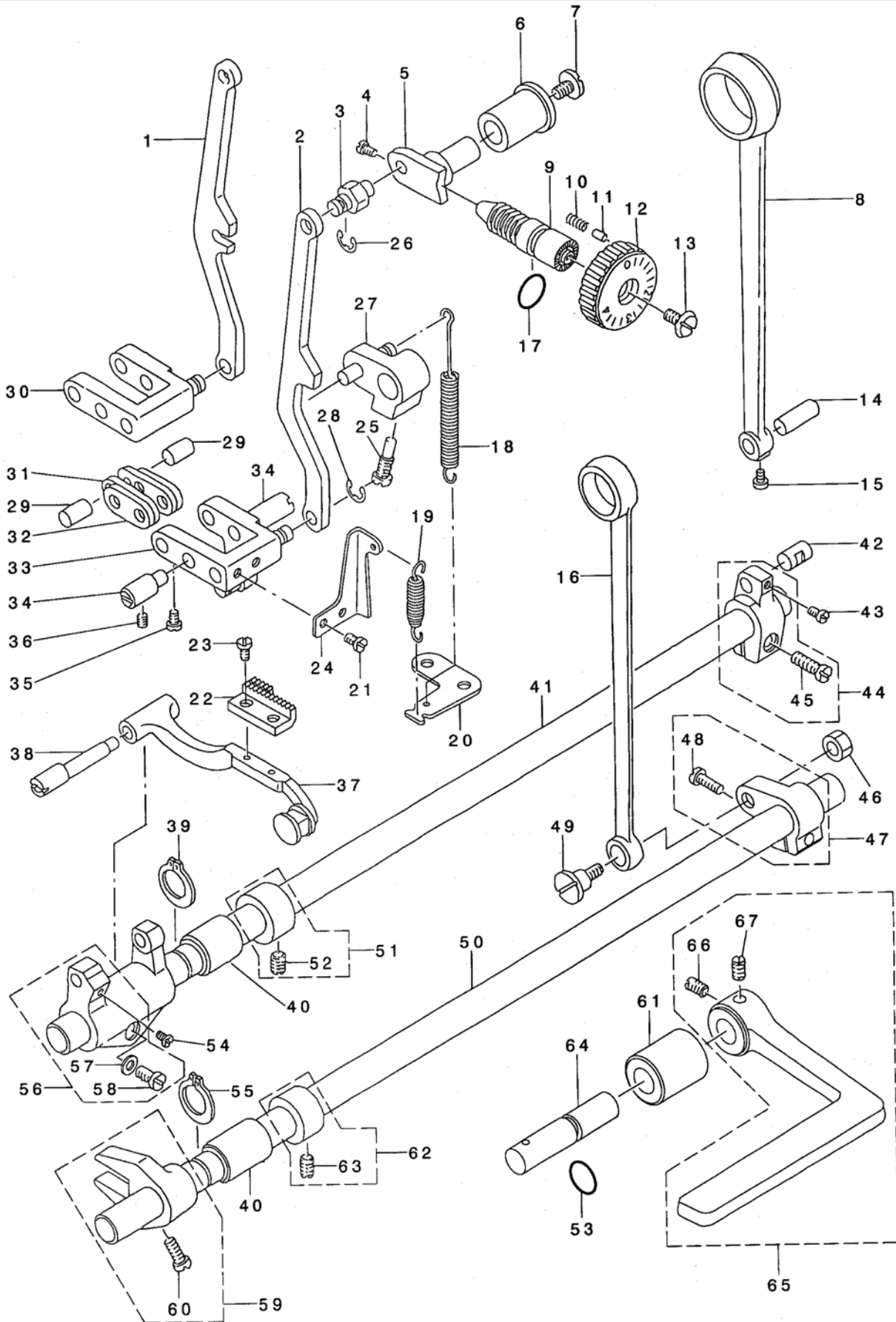
FEED MECHANISM COMPONENTS

DET	PART NUMBER	DESCRIPTION	QTY.
01	110-09503	FEED REGULATOR CONNCTING ROD #01	
02	111-00401	FEED ADJUST ROD #02	
03	110-09602	FEED REGULATOR PIN	
04	SS-7090520-TP	SCREW 9/64-40 L= 4.5	
05	110-09701	FEED REGULATOR	
06	110-11509	FEED REGULATOR BUSHING	
07	SS-7120770-SH	SCREW 3/16-28 L=7	
08	110-08208	ROCKER SHAFT CONNECTING ROD	
09	110-09909	FEED REGULATOR SCREW	
10	B1148-555-000	SPRING	
11	110-52701	PIN	
12	110-72006	FEED DIAL	
13	SS-6121860-SP	SCREW 3/16-28 L=18	
14	110-09206	WALKING FOOT PIN C	
15	SS-6090620-SP	SCREW 9/64-40 L=6	
16	110-14008	CONNECTING ROD	
17	RO-0922702-00	RUBBER RING	
18	110-10303	FEED REVERSE SPRING	
19	110-37405	SPRING	
20	110-11301	FEED SPRING HOOK	
21	SS-7110510-SP	SCREW 11/64-40 L=5	
22	B1613-522-N00-A	FEED DOG	
23	SS-4080620-TP	SCREW 1/8-44 L=6	
24	110-92301	ADJUSTING LINK SPRING GUIDE	
25	110-10410	FEED REVERSE ARM SCREW	
26	RE-0500000-K0	E-RING	
27	110-10154	FEED REVERSE ARM ASM.	
28	RE-0500000-K0	E-RING	
29	110-09008	WALKING FOOT PIN A	
30	110-08455	WALKING FOOT ADJUSTING LINK #01	
31	110-08703	WALKING FOOT LINK	
32	110-08604	CONNECTING LINK A	
33	111-00252	FEED ADJUST LINK ASM. #02	
34	110-08802	ADJUSTING LINK FULCRUM SHAFT A	
35	SS-6090620-SP	SCREW 9/64-40 L=6	
36	SS-8150710-SP	SCREW 15/64-28 L=7	
37	110-37355	FEED BAR ASM.	
38	110-37207	FEED BAR SHAFT	
39	RC-0150001-KP	RETAINING RING 13.8	
40	110-10907	FEED ROCKER SHAFT BUSHING	
41	110-10808	FEED ROCKER SHAFT	
42	110-09107	WALKING FOOT PIN B	
43	SS-6090620-SP	SCREW 9/64-40 L=6	
44	110-08356	FEED ROCKER SHAFT CRANK ASM.	
45	SS-6121610-SP	SCREW 3/16-28 L=15.5	
46	NS-6680410-SP	NUT 9/32-28	
47	110-14156	REAR CRANK ASM.	
48	SS-7121610-SP	SCREW 3/16-28 L=15.5	

NOTE: #01.....FOR DLM-5400N-7-00,-W0

#02.....FOR DLM-5400N-7-0B,-WB

FEED MECHANISM COMPONENTS



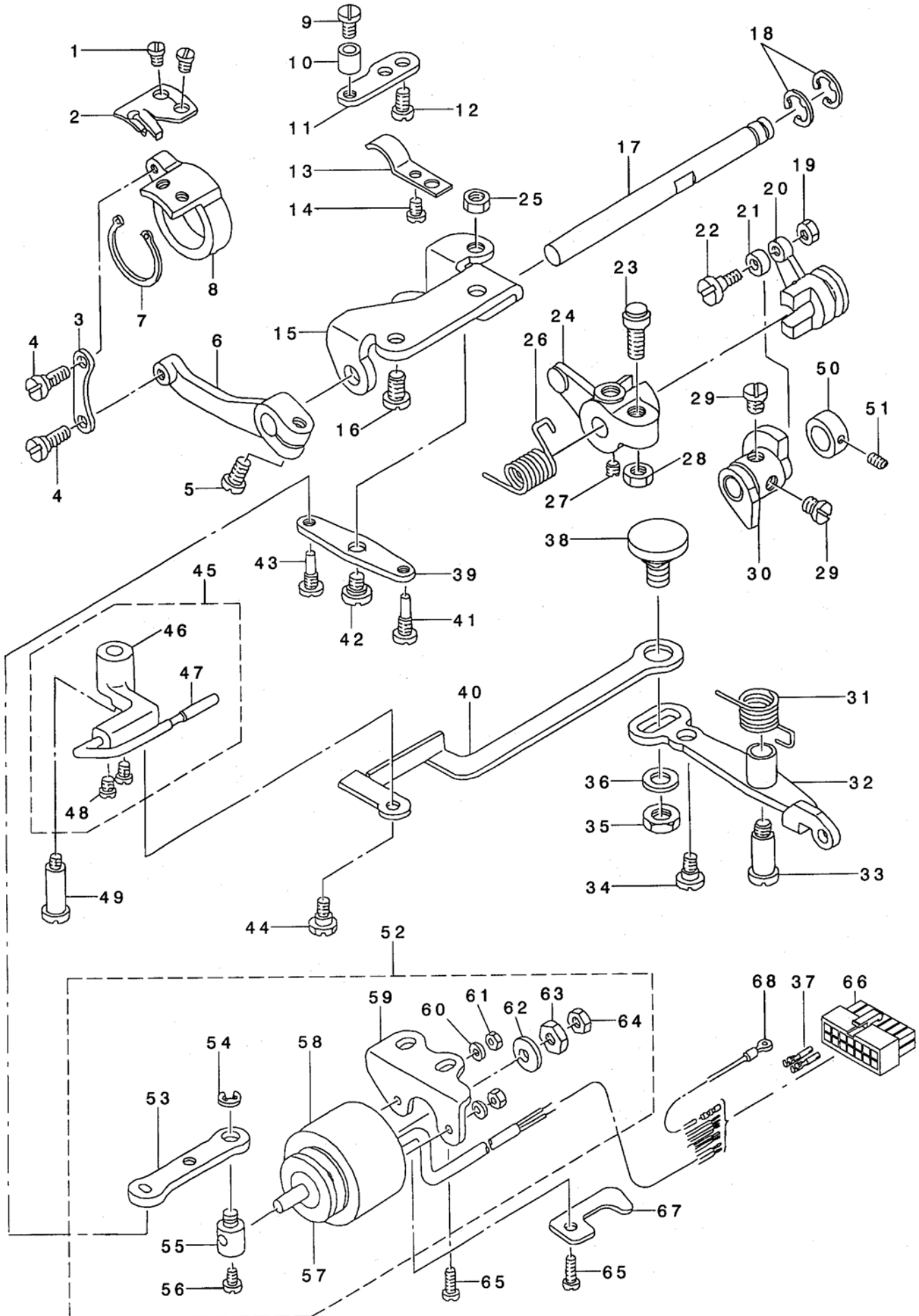
FEED MECHANISM COMPONENTS

DET	PART NUMBER	DESCRIPTION	QTY.
49	SD-1000801-SH	HINGE SCREW D=10 H=8	1
50	110-14206	FEED DRIVING SHAFT	1
51	CS-147121A-SH	THRUST COLLAR ASM.D=14.72 W=12	1
52	SS-8660610-TP	SCREW 1/4-40 L=6	(2)
53	RO-0781901-00	RUBBER RING	1
54	SS-7110740-TP	SCREW 11/64-40 L=7	1
55	RC-0150001-KP	RETAINING RING 13.8	1
56	110-37157	FEED BAR CRANK ASM.	1
57	WP-0480856-SP	WASHER 4.8X8.4X0.8	(1)
58	SS-7121410-TP	SCREW 3/16-28 L=14	(1)
59	110-14354	DRIVING SHAFT CRANK ASM.	1
60	SS-7111120-SP	SCREW 11/64-40 L=10.5	(1)
61	110-10709	FEED LEVER METAL	1
62	CS-147121A-SH	THRUST COLLAR ASM.D=14.72 W=12	1
63	SS-8660610-TP	SCREW 1/4-40 L=6	(2)
64	110-10519	FEED REVERSE SHAFT	1
65	110-72154	FEED LEVER ASM.	1
66	SS-8661030-SP	SCREW 1/4-40 L=10	(1)
67	SS-8661040-TP	SCREW 1/4-40 L=10	(1)

NOTE: #01.....FOR DLM-5400N-7-00,-W0

#02.....FOR DLM-5400N-7-0B,-WB

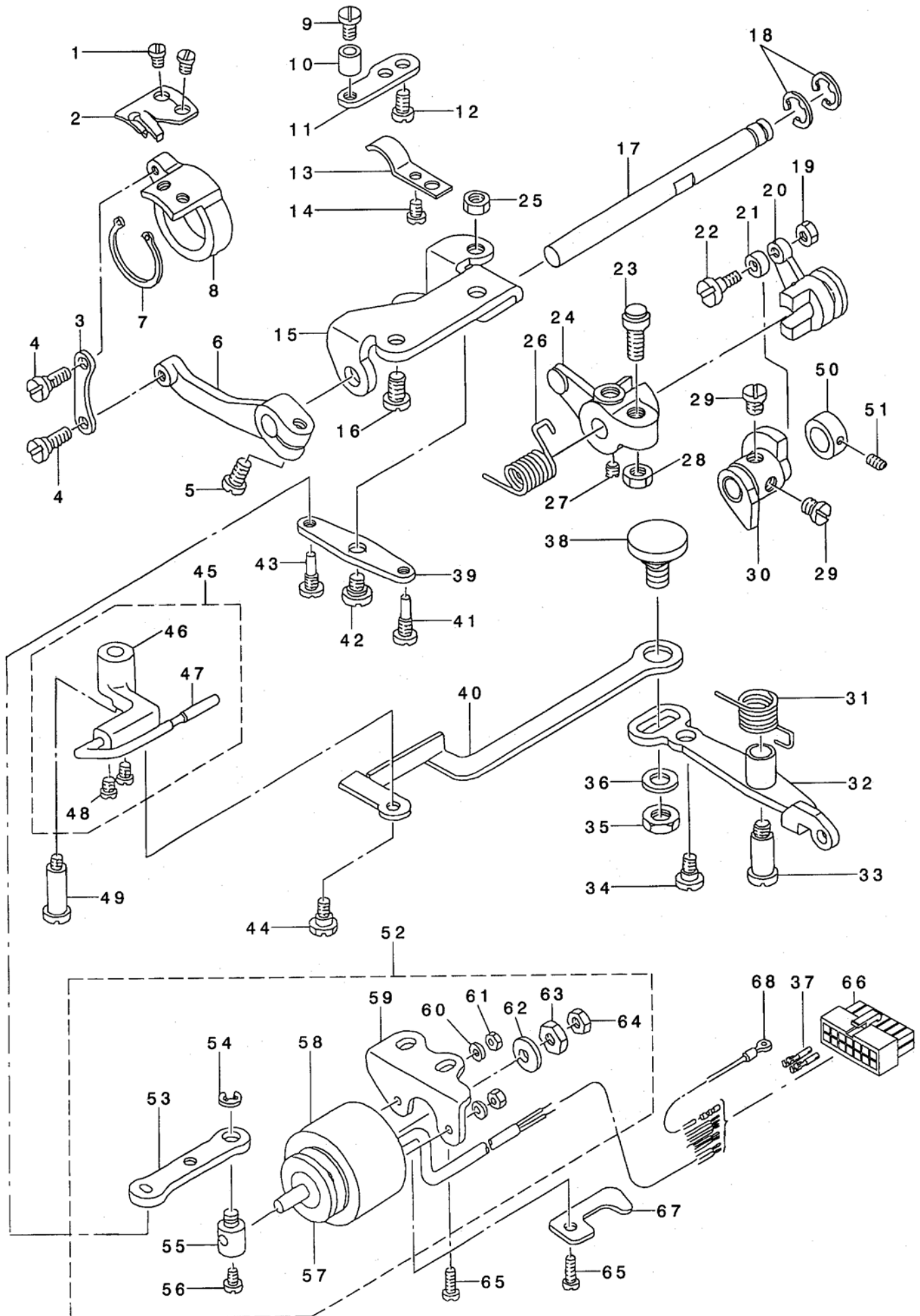
THREAD TRIMMER MECHANISM COMPONENTS



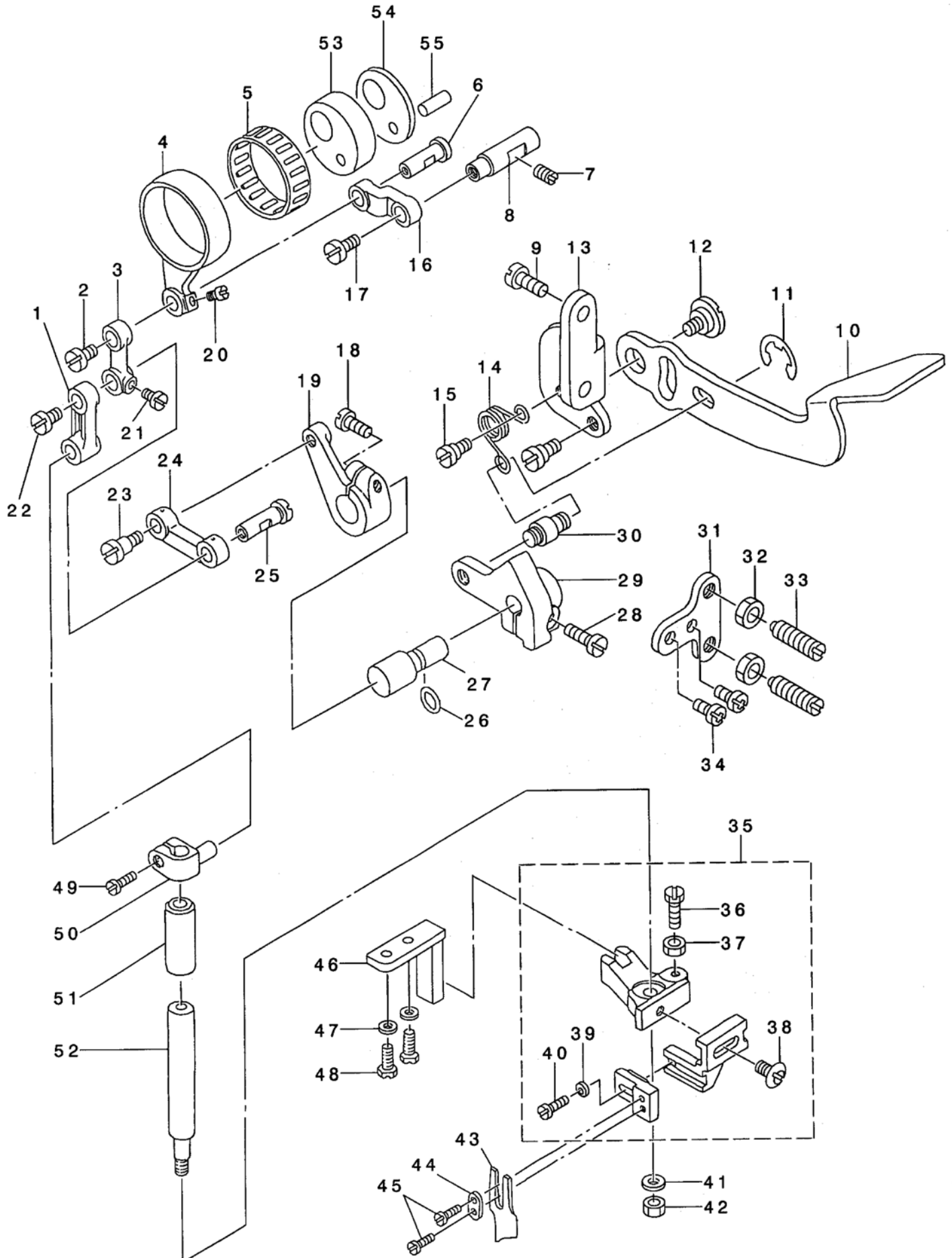
THREAD TRIMMER MECHANISM COMPONENTS

DET	PART NUMBER	DESCRIPTION	QTY.
01	113-51806	SCREW	2
02	113-51400	MOVING KNIFE	1
03	113-52101	MOVING KNIFE LINK	1
04	SD-0500251-SP	HINGE SCREW D= 5 H= 2.5	2
05	SS-6121220-TP	SCREW 3/16-28 L=11.5	1
06	113-52200	KNIFE DRIVING	1
07	RC-2651218-KP	RETAINING RING	1
08	113-51905	MOVING KNIFE BASE	1
09	SS-8110710-SP	SCREW 11/64-40 L=6.5	1
10	113-54602	COLLAR	1
11	113-51608	KNIFE MOUNTING BASE	1
12	SS-4110715-SP	SCREW 11/64-40 L=7	2
13	113-51509	COUNTER KNIFE	1
14	SS-1090510-SP	SCREW 9/64-40 L=5	1
15	113-52408	BASE PLATE	1
16	SS-4150915-SP	SCREW 15/64-28 L=9	2
17	113-52309	KNIFE DRIVING SHAFT	1
18	RE-0600000-K0	E-RING 6	2
19	NS-6110310-SP	NUT 11/64-40	1
20	113-52606	SLIDE ARM	1
21	113-54404	DRIVING ROLLER	1
22	D2588-L8W-B00	ROLLER SHAFT	1
23	B1453-771-0A0	STOP SCREW ASM.	1
24	113-52507	KNIFE DRIVING ARM	1
25	NS-6150310-SP	NUT 15/64-28	1
26	113-53406	SPRING	1
27	SS-8660610-TP	SCREW 1/4-40 L=6	2
28	NS-6150430-SP	NUT 15/64-28	1
29	SS-6660610-TP	SCREW 1/4-40 L=6	2
30	113-53604	THREAD TRIMMER CAM	1
31	113-53505	SPRING	1
32	113-53059	CLUTCH LEVER ASM.	1
33	SD-0701511-TP	HING SCREW D=7 H=15.1	1
34	SD-0600361-SP	HINGE SCREW D=6 H=3.6	1
35	NS-6150430-SP	NUT 15/64-28	1
36	WP-0621016-SH	WASHER	1
37	HK-0346400-0B	PIN CONTACT	2
38	110-42306	PICKER LINK PIN	1
39	113-52903	CLUTCH PLATE	1
40	113-54107	PICKER LINK	1
41	113-52705	SCREW PIN, A	1
42	SD-0640261-SP	HINGE SCREW D=3.65 H=2.6	1
43	113-52804	SCREW PIN, B	1
44	SD-0630275-SP	HINGE SCREW D= 6.35 H= 2.7	1
45	113-54057	PICKER ARM ASM.	1
46	113-54008	PICKER ARM	(1)
47	110-42652	THREAD TAKE-UP PICKER ASM.	(1)
48	SS-6090510-SP	SCREW 9/64-40 L=5	(2)
49	SD-0641452-TP	HINGE SCREW D=6.35 H=14.5	1
50	110-42900	CAM COLLAR	1

THREAD TRIMMER MECHANISM COMPONENTS



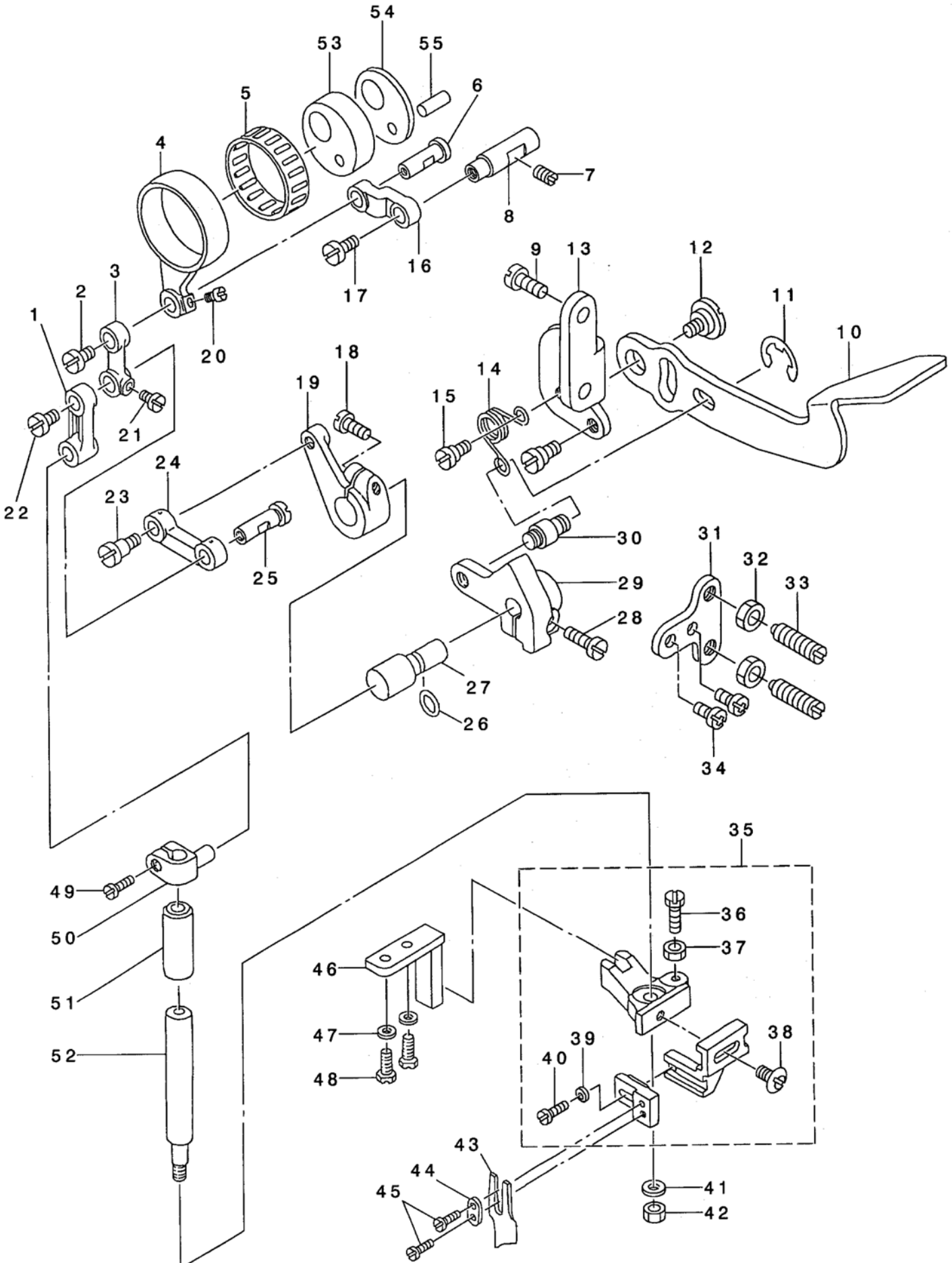
KNIFE COMPONENTS



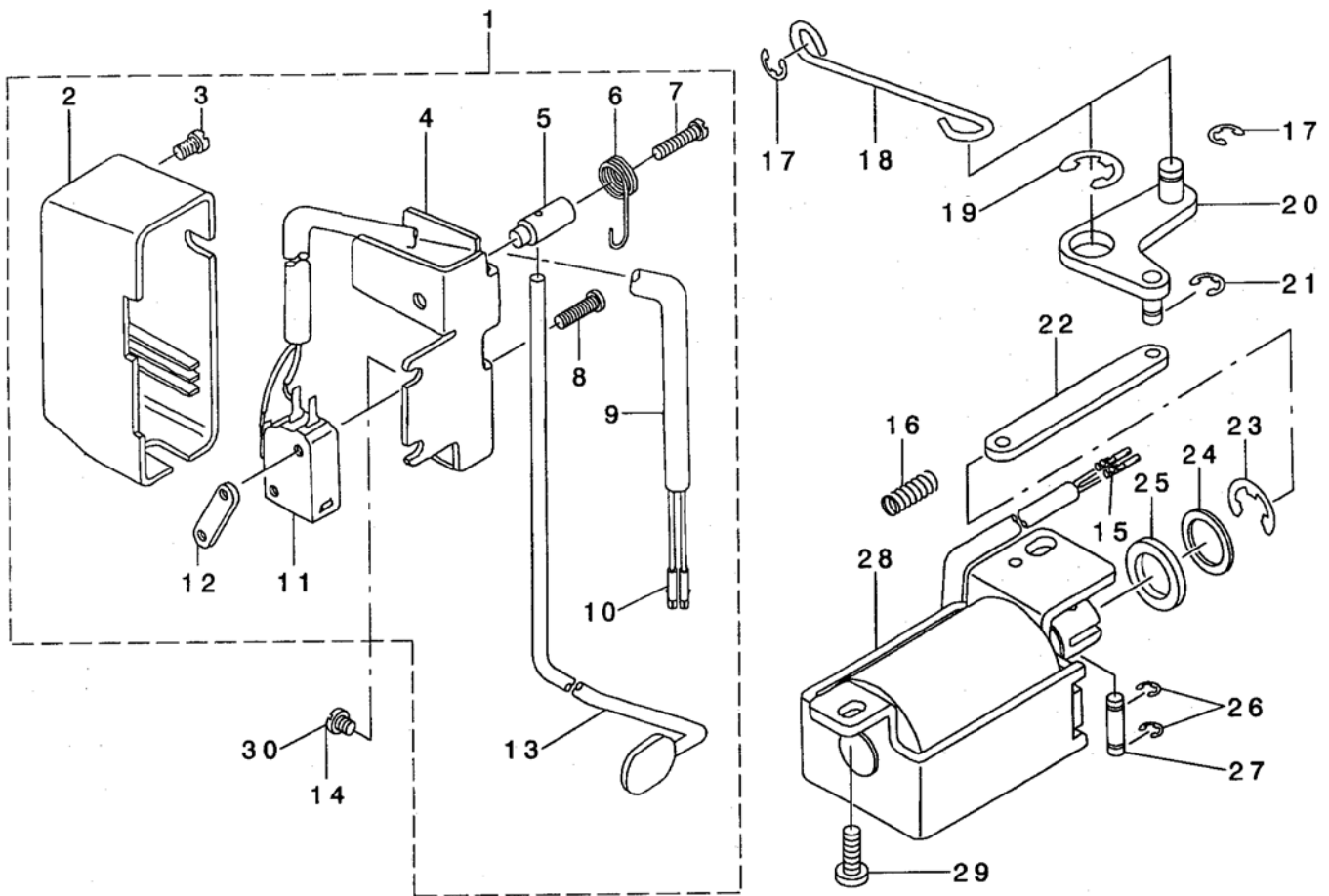
KNIFE COMPONENTS

DET	PART NUMBER	DESCRIPTION	QTY.
01	113-57407	KNIFE DRIVING ROD, B	1
02	SS-7110830-SP	SCREW 11/64-40 L= 7.5	1
03	113-57308	KNIFE DRIVING ROD, A	1
04	113-56904	KNIFE DRIVING ROD	1
05	B4123-522-00A	NEEDLE BEARING	1
06	113-57209	PIN	1
07	SS-8151150-TP	SCREW 15/64-28 L=10.5	1
08	113-57001	ROD LINK SHAFT	1
09	SS-4150915-SP	SCREW 15/64-28 L=9	2
10	113-58207	KNIFE LEVER	1
11	RE-0500000-K0	E-RING	1
12	SD-0920321-SP	HINGE SCREW D= 9.20 H= 3.2	1
13	113-58108	KNIFE LEVER BASE	1
14	B4126-530-000	SPRING	1
15	SD-0790431-SP	HINGE SCREW D= 7.94 H= 4.3	1
16	113-57100	KNIFE DRIVING ROD LINK	1
17	SS-7110830-SP	SCREW 11/64-40 L= 7.5	1
18	SS-6121220-TP	SCREW 3/16-28 L=11.5	1
19	113-57704	LINK SUPPORT ARM	1
20	SS-7090520-TP	SCREW 9/64-40 L= 4.5	1
21	SS-7090520-TP	SCREW 9/64-40 L= 4.5	1
22	SS-7110830-SP	SCREW 11/64-40 L= 7.5	1
23	SD-0640604-TP	HING SCREW D=6.35 H=6	1
24	113-57506	KNIFE DRIVING LINK	1
25	113-57209	PIN	1
26	RO-0481901-00	RUBBER RING	1
27	113-57803	KNIFE SET LEVER SHAFT	1
28	SS-6121220-TP	SCREW 3/16-28 L=11.5	1
29	113-57902	KNIFE SET LEVER BASE	1
30	B4124-530-000	SET LEVER PIN	1
31	113-58306	KNIFE LEVER STOPPER	1
32	NS-6150310-SP	NUT 15/64-28	2
33	SS-8152080-SP	SCREW 15/64-28 L=19.5	2
34	SS-4120915-SP	SCREW 3/16-28 L=9	2
35	B4117-530-0A0	KNIFE MOUNTING BASE ASM.	1
36	SS-9121410-TP	SCREW 3/16-28 L=14	(1)
37	NS-6120310-SP	NUT 3/16-28	(1)
38	SS-6110810-TP	SCREW 11/64-40 L=8	(1)
39	WP-0371026-SD	WASHER 3.7X7X1	(1)
40	SS-6090910-SP	SCREW 9/64-40 L=9	(1)
41	WP-0501016-SD	WASHER 5X10.5X1	1
42	NS-6120480-SP	NUT 3/16-28	1
43	B4121-522-000	KNIFE	1
44	B4122-522-000	WASHER	1
45	SS-4080610-SP	SCREW 1/8-44 L=6.4	2
46	B4120-530-000	KNIFE MOUNTING BASE GUIDE	1
47	WP-0480856-SP	WASHER 4.8X8.4X0.8	2
48	SS-9120910-TP	SCREW 3/16-28 L=9	2
49	SS-6090810-TP	SCREW 9/64-40 L=7.5	1
50	B4115-530-000	KNIFE DRIVING STUD CONNECTION	1

KNIFE COMPONENTS



AUTOMATIC REVERSE FEED COMPONENTS

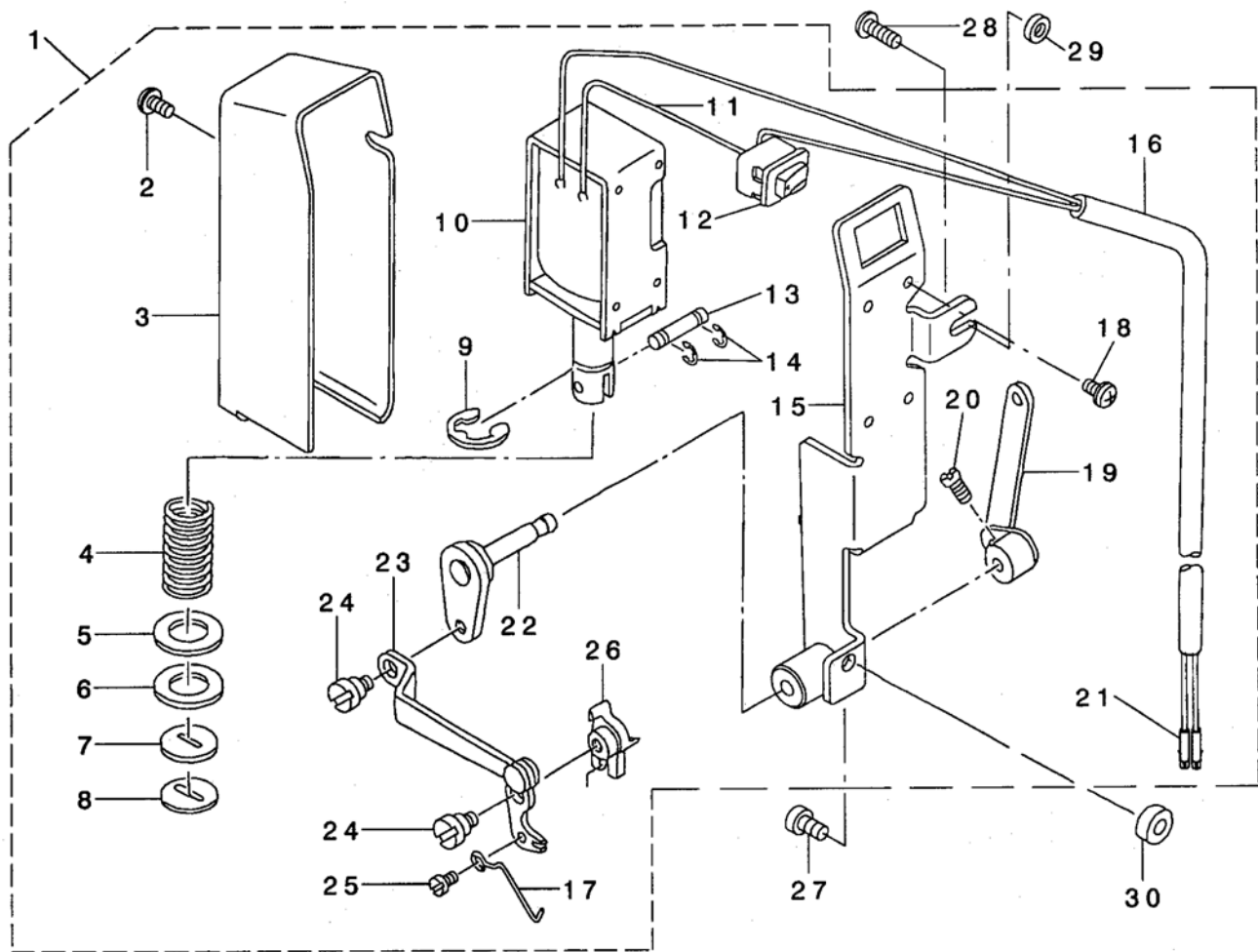


AUTOMATIC REVERSE FEED COMPONENTS

DET	PART NUMBER	DESCRIPTION	QTY.
01	113-62357	REVERSE FEED SWITCH ASM.	1
02	110-72501	REVERSE FEED SWITCH COVER	(1)
03	SM-4040655-SP	SCREW	(1)
04	111-02001	REVERSE FEED SWITCH BASE	(1)
05	111-02100	REVERSE FEED SWITCH SHAFT	(1)
06	111-02209	REVERSE FEED SWITCH SPRING	(1)
07	SM-4041655-SP	SCREW	(1)
08	SM-4031501-SC	SCREW M3 L=15	(2)
09	HW-5000700-00	2-CORE CABTYRE CORD	(1.31)
10	HK-0346400-0B	PIN CONTACT	(2)
11	HA-0019000-00	MICROSWITCH	(1)
12	111-02308	MICRO SWITCH PLATE	(1)
13	113-64700	REVERSE FEED SWITCH LEVER	(1)
14	SS-4120615-SP	SCREW 3/16-28 L=6	#01 1
15	HK-0346400-0B	PIN CONTACT	2
16	112-17601	WALKING FOOT SPRING	1
17	RE-0500000-KP	E-RING 5	2
18	111-01300	REVERSE FEED CONNECTING SHAFT	1
19	RE-0900000-K0	E-RING 9	1
20	111-01151	CONNECTING ARM ASM.	1
21	RE-0400000-KP	E-RING 4	1
22	111-01417	REVERSE FEED CONNECTING LINK	1
23	RE-1200000-K0	E-RING 12	1
24	WP-1602616-SZ	WASHER 16X24X2.6	1
25	D2468-555-B00	RUBBER PLUNGER	1
26	RE-0400000-K0	E-RING 4	2
27	111-01003	PLUNGER ARM PIN	1
28	111-02753	REVERSE FEED MAGNET ASM.	1
29	SS-4151215-SP	SCREW 15/64-28 L=12	2
30	SS-4120915-SP	SCREW 3/16-28 L=9	1

NOTE: #01.....FOR DLM-5400N,7-0B

WIPER COMPONENTS

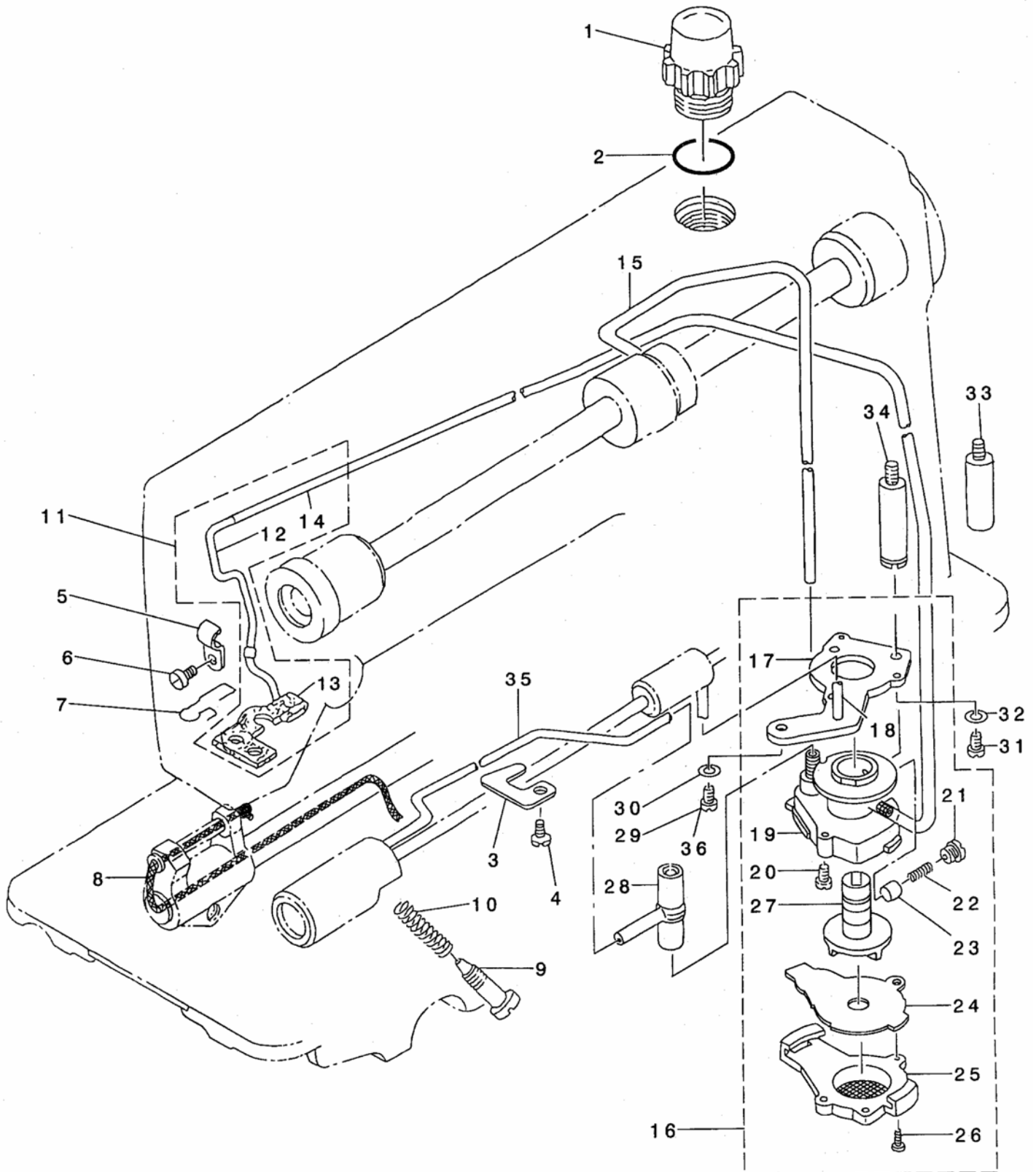


WIPER COMPONENTS

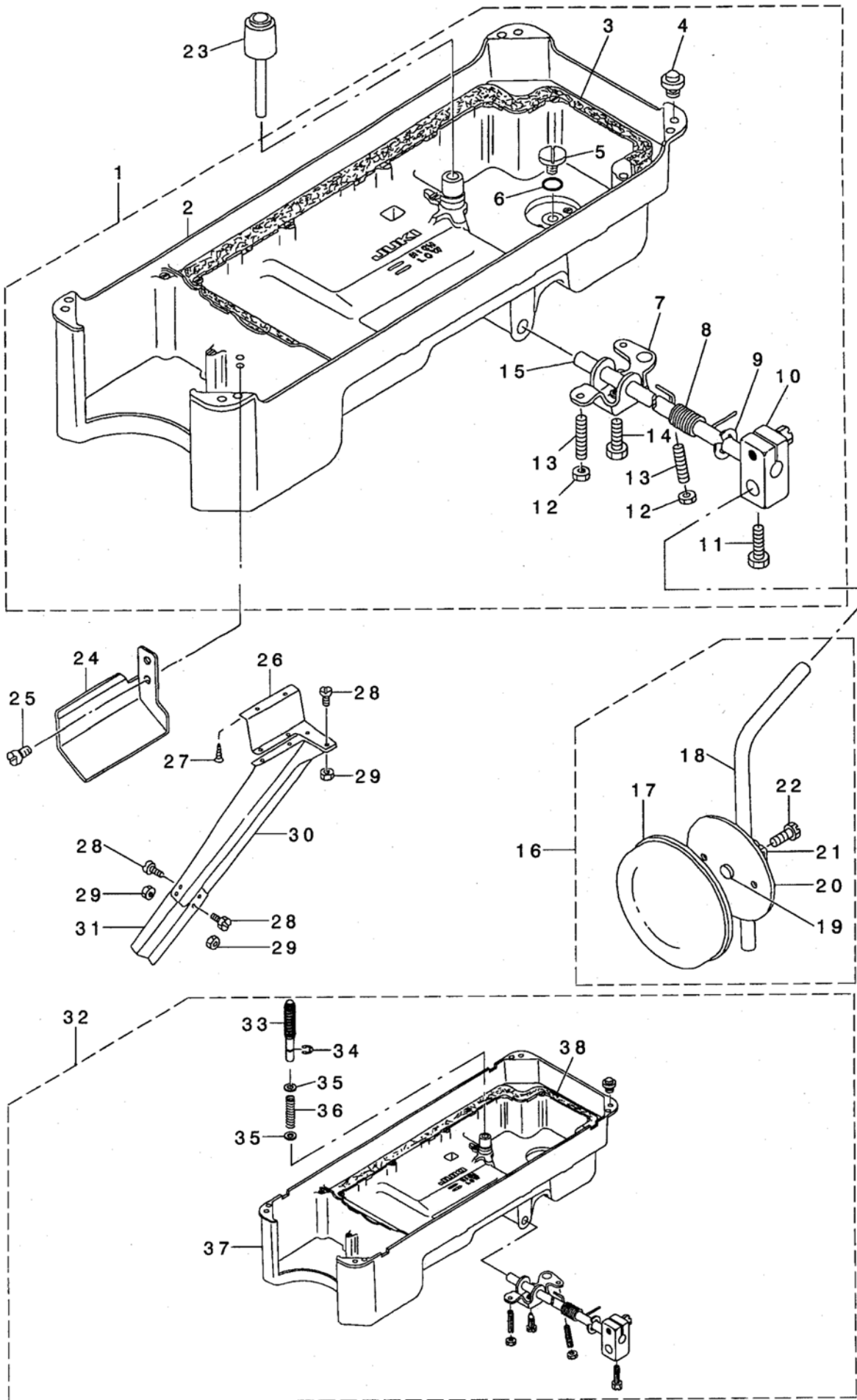
DET	PART NUMBER	DESCRIPTION	QTY.
01	113-62456	WIPER ASM.	1
02	SL-4030621-SS	SCREW M3	(1)
03	112-58001	WIPER COVER	(1)
04	112-33400	SPRING	(1)
05	WP-1221016-SP	WASHER	(1)
06	112-34408	SOLENOID RUBBER	(1)
07	112-33301	STOPPER RUBBER	(1)
08	112-34606	STOPPER RUBBER WASHER	(1)
09	RE-0900000-K0	E-RING 9	(1)
10	112-33202	WIPER SOLENOID	(1)
11	HW-2003900-00	ELECTRIC WIRE	(0.05)
12	HA-0005900-00	POWER SWITCH	(1)
13	112-34507	PLUNGER CONNECTING PIN	(1)
14	RE-0300000-K0	E-RING 3	(2)
15	112-33053	WIPER INSTALLING BASE ASM.	(1)
16	HW-5000700-00	2-CORE CABTYRE CORD	(1.33)
17	113-59700	WIPER	(1)
18	SL-4030641-SE	SCREW	(4)
19	112-33251	WIPER LEVER B ASM.	(1)
20	SS-6110710-TP	SCREW 11/64-40 L= 6.5	(2)
21	HK-0346400-0B	PIN CONTACT	(2)
22	113-60153	WIPER LEVER ASM. A	(1)
23	113-59957	WIPER ARM ASM.	(1)
24	SD-0550212-TP	HINGE SCREW D=5.5 H=2.1	(2)
25	SS-7090410-SP	SCREW 9/64-40 L= 3.5	(1)
26	113-59809	WIPER BASE	(1)
27	SS-4121415-SP	SCREW 3/16-28 L=14	1
28	SS-4120915-SP	SCREW 3/16-28 L=9	1
29	WP-0482086-SD	WASHER 4.8X11.5X2 #01	1
30	135-22206	COLLAR	1

NOTE: #01.....FOR DLM-5400N-7-W0

OIL LUBRICATION COMPONENTS



OIL RESERVOIR COMPONENTS

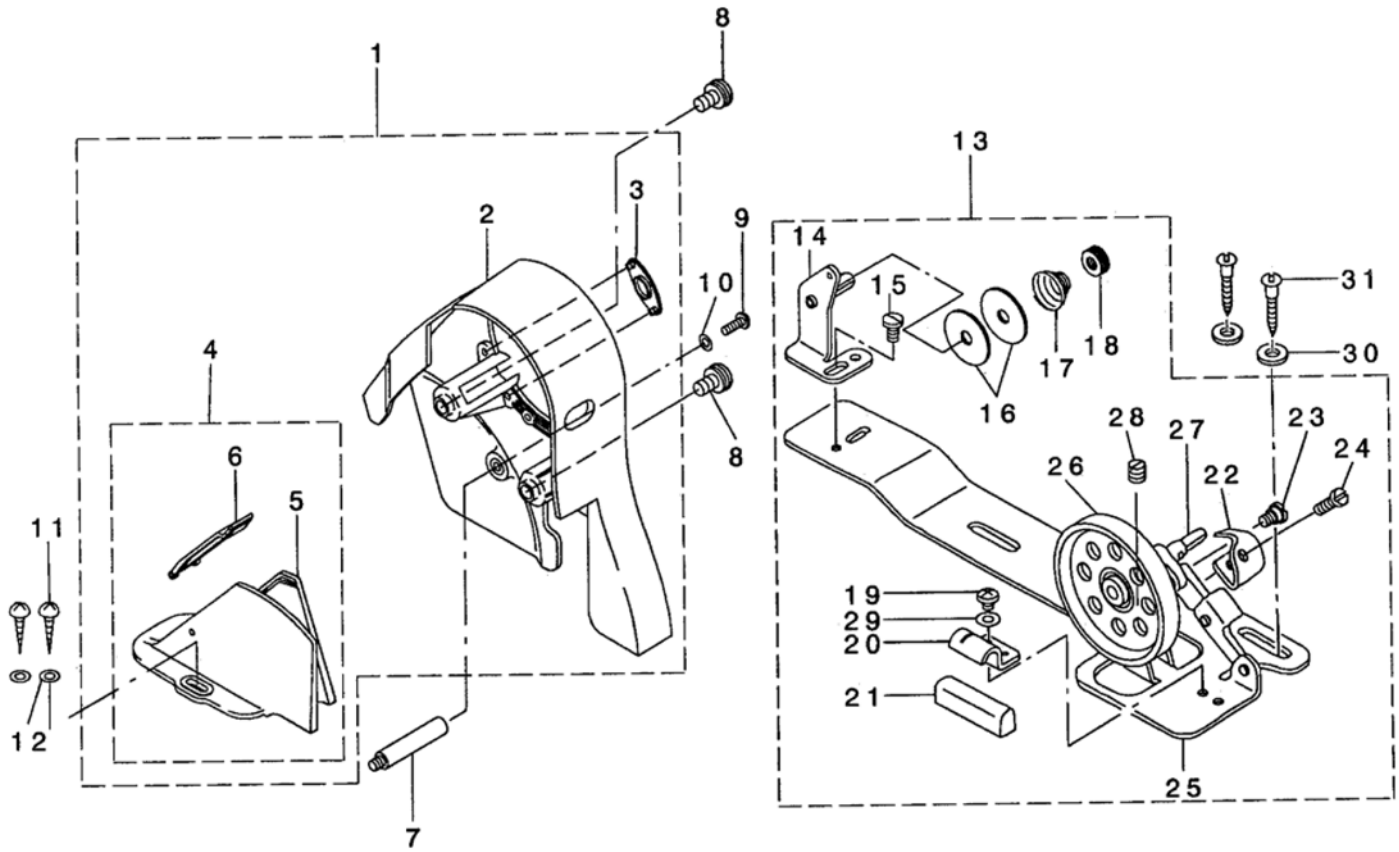


OIL RESERVOIR COMPONENTS

DET	PART NUMBER	DESCRIPTION	QTY.
01	113-60757	OIL RESERVOIR ASM.	(1)
02	113-60708	OIL RESERVOIR	(1)
03	110-23108	GASKET	(1)
04	110-47107	RUBBER CUSHION	(4)
05	SS-6700710-SH	SCREW 5/16-24 L=7	(1)
06	RO-0982401-00	RUBBER RING	(1)
07	110-24015	CONNECTING ROT, VERTICAL	(1)
08	110-24106	SPRING	(1)
09	RE-1000000-K0	E-RING 10	(1)
10	110-24510	BRACKET	(1)
11	SM-9062053-SR	SCREW M6 L=20	(2)
12	NM-6060001-SE	NUT M6	(2)
13	SM-8063012-TR	SCREW M6 L=30	(2)
14	SM-9061853-SR	SCREW M6 L=17.5	(1)
15	110-24205	KNEE PRESS ROD	(1)
16	110-23751	KNEE PRESS PLATE ASM.	1
17	B3431-552-000-A	KNEE PRESS PLATE COVER	(1)
18	B3419-122-000	KNEE LIFTER PLATE ROD	(1)
19	110-24403	RUBBER	(1)
20	110-23702	KNEE PRESS PLATE	(1)
21	110-23801	KNEE PRESS PLATE HOLDER	(1)
22	SM-9061203-SE	SCREW M6 L=12	(1)
23	110-24304	KNEE PRESS LIFTER ROD	1
24	113-61003	OIL PUSH GUIDE	1
25	SS-4110715-SP	SCREW 11/64-40 L=7	2
26	113-64403	WASTE MATERIAL CHUTE HOLDER	1
27	SK-3412000-SC	WOOD SCREW D=4.1 L=20	3
28	SS-7090710-SP	SCREW 9/64-40 L= 6.8	8
29	NS-6090310-SP	NUT 9/64-40	8
30	113-64502	WASTE MATERIAL CHUTE, LARGE	1
31	113-64601	WASTE MATERIAL CHUTE, SMALL	1
32	113-69451	OIL RESERVOIR ASM. #01	1
33	GAK-300010B0	KNEE PRESS LIFTER ROD ASM. #01	(1)
34	RE-0400000-K0	E-RING 4 #01	(1)
35	WP-0621016-SD	WASHER 6.2X13X1 #01	(2)
36	GAK-30005000	SPRING #01	(1)
37	113-69402	OIL RESERVOIR #01	(1)
38	111-41702	GASKET #01	(1)

NOTE: #01.....FOR JE

BELT COVER & BOBIN WINDER COMPONENTS



BELT COVER & BOBIN WINDER COMPONENTS

DET	PART NUMBER	DESCRIPTION	QTY.
01	110-76650	BELT COVER ASM. (URBANE GREY)	1
02	110-76601	BELT COVER A	(1)
03	110-76700	BELT COVER A CAP	(1)
04	110-76858	BELT COVER B ASM.	(1)
05	110-76809	BELT COVER B	(1)
06	110-76957	BELT COVER B CAP ASM.	(1)
07	110-23504	BELT COVER SUPPORT, A	1
08	110-25202	BELT COVER A SCREW	2
09	SS-4121415-SP	SCREW 3/16-28 L=14	1
10	WP-0501016-SD	WASHER 5X10.5X1	1
11	SK-3412000-SC	WOOD SCREW D=4.1 L=20	2
12	WP-0450826-SC	WASHER 4.5X10X0.8	2
13	110-77567	BOBBIN WINDER COMPL.	1
14	110-78250	THREAD TENSION BRACKET ASM.	(1)
15	SS-7110840-SP	SCREW 11/64-40 L=7.8	(1)
16	B3126-012-000	THREAD TENSION DISK	(2)
17	B3129-012-B00	THREAD TENSION SPRING	(1)
18	B3125-012-000	THREAD TENSION NUT	(1)
19	SS-4110515-SP	SCREW 11/64-40 L=5	(1)
20	110-78102	PRESSER PLATE	(1)
21	B3211-555-000	RUBBER BRAKE	(1)
22	110-78003	POSITIONING FINGER	(1)
23	SD-0490261-SP	HINGE SCREW D=4.9 H=2.6	(1)
24	SS-7081310-SP	SCREW 1/8-44 L=12.5	(1)
25	110-77500	BOBBIN BASE	(1)
26	110-77609	BOBBIN PULLEY	(1)
27	B3204-555-000	BOBBIN WINDER POST	(1)
28	SM-8040502-TP	SCREW M4X0.7 L=5	(1)
29	WP-0480856-SP	WASHER 4.8X8.4X0.8	(1)
30	WP-0450826-SC	WASHER 4.5X10X0.8	2
31	SK-3412000-SC	WOOD SCREW D=4.1 L=20	2

THREAD STAND COMPONENTS

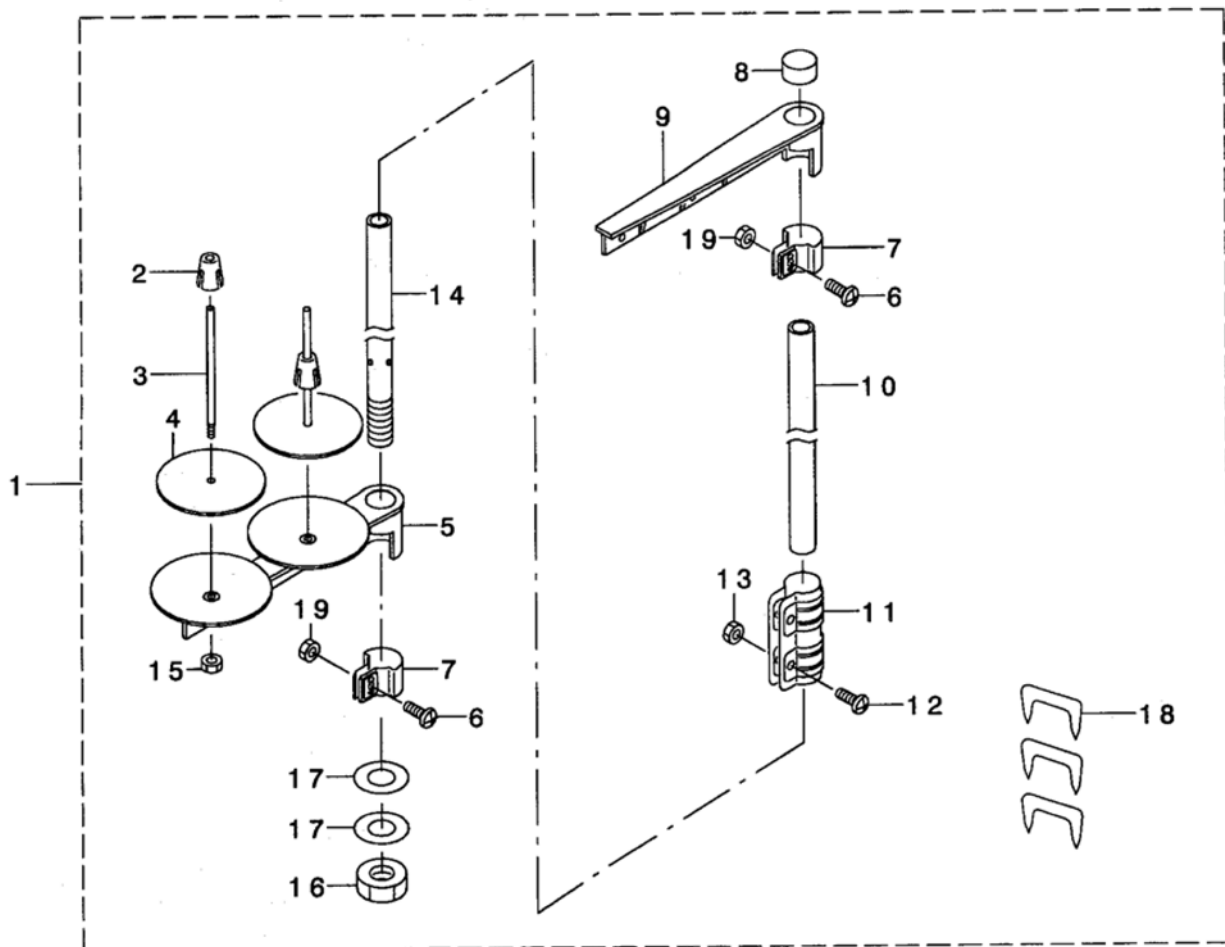


TABLE OF EXCHANGING GAUGE PARTS

Specifications of the sub-gauge	Gauge width	1		2	3	4	5	6	7	8	9	Type	Note	
		Throat plate	針板											Throat plate chip guard
サブゲージ仕様	サブゲージ巾													
CA	5/64" (2.0mm)	B11346004	B11155310AD	B1190522Y0A	B11346905	B11347002	B11346400	B1524530C80	B1613522N00A	B4145530C00		Spare parts type 備用パーツ仕様	Cut-after knife type 後メスタイプ	
C	3/32" (2.4mm)	B11346004	B11155310AD	B1190522X00	B11346905	B11347002	B11346400	B1524530D80	B1613522N00A	B4121522000		Special type 特別仕様	As compared with B1190522X00, the grooves of the feed dog are 3 rows instead of 2 rows. B1190522X00に対し、送り溝を2列・3列にしたもの	
CB	3/32" (2.4mm)	B11346004	B11155310AD	B1190522X08	B11346905	B11347002	B11346400	B1524530D80	B1613522N0C	B4121522000		Spare parts type 備用パーツ仕様		
D	1/8" (3.2mm)	B11346004	B11155310AD	B1190522S00	B11346905	B11347002	B11346400	B1524530D80	B1613522N00A	B4121522000		Standard type 標準仕様		
E	5/32" (4.0mm)	B11346004	B11155310AD	B1190522Y00	B11346905	B11347002	B11346400	B1524530E80	B1613522N00A	B4121522000		Special type 特別仕様		
EA	5/32" (4.0mm)	B11346004	B11155310AD	11362753	B11346905	B11347002	B11346400	B1524530E80	B1613522N00A	B4121522000		Spare parts type 備用パーツ仕様	For pattern seamer パターンシーマ用	
F	3/16" (4.8mm)	B11346004	B11155310AD	B1190522T00	B11346905	B11347002	B11346400	B1524530E80	B1613522N00A	B4121522000		Special type 特別仕様		
FA	3/16" (4.8mm)	B11346004	B11155310AD	B1190522T0A	B11346905	B11347002	B11346400	B1524530E80	B1613522N00A	B4121522A00		Spare parts type 備用パーツ仕様	Cut-before knife type 前メスタイプ	
FB	3/16" (4.8mm)	B11346004	B11155310AD	B1190522Y0C	B11346905	B11347002	B11346400	B1524530E80	B1613522N00A	B4121522000		Spare parts type 備用パーツ仕様	As compared with B1190522T00, the needle hole of which diameter is set to ø1.9 to 1.2mm. B1190522T00に対し、針穴径をø1.9-1.2mmC	
G	27/128" (5.3mm)	B11346004	B11155300AF	B1190522Y0F	B11347101	B11347200	B11346400	B1524530G80	B1613522N00A	B4121522000		Spare parts type 備用パーツ仕様		
H	1/4" (6.4mm)	B11346004	B11155300AF	B1190522U00	B11347101	B11347200	B11346509	B1524530G80	B1613522W00A	B4121522000		Special type 特別仕様		
HA	1/4" (6.4mm)	B11346004	B11155300AF	B1190522U0AA	B11347101	B11347200	B11346509	B1524530G80	B1613522A0AA	B4121522000		Spare parts type 備用パーツ仕様	For preventing material from being caught by the 4-teeth feed dog 4枚歯布屑防止用	
K	5/16" (7.9mm)	B11346004	B11155300AF	B1190522Y08	B11347101	B11347200	B11346509	B1524530G80	B1613522W00A	B4121522000		Spare parts type 備用パーツ仕様		
M	3/8" (9.5mm)	B11346004	B11155300AM	B1190522V00	B11347309	B11347408	B11346509	B1524530G80	B1613522W00A	B4121522000		Special type 特別仕様		
MA	3/8" (9.5mm)	B11346004	B11155300AM	B1190522V0A	B11347309	B11347408	B11346509	B1524530G80	B1613522B00	B4121522000		Spare parts type 備用パーツ仕様	As compared with B1190522V00, the feed amount of the feed dog is reduced. B1190522V00に対して送り溝量を減縮	
P	7/16" (11.1mm)	B11346004	B11155300AM	B1190522Y0M	B11347309	B11347408	B11346608	B1524530G80	B1613522W00A	B4121522000		Spare parts type 備用パーツ仕様		

Caution] One piece of knife is supplied with the machine as an accessory with the exception of JA, JH and TP.
[注記] メスは、JA・JH・TP以外の全機種を付属品とする。

INDEX

PART NUMBER	PAGE	DET	QTY	PART NUMBER	PAGE	DET	QTY	PART NUMBER	PAGE	DET	QTY
04.9084.0.652	3-23	11	1	110-72451	3-29	23	1	113-61003	3-57	24	1
04.9084.0.704	3-23	3	1	110-72501	3-51	2	(1)	113-62357	3-51	1	1
08.6000.4.006	3-21	5	(2)	111-00104	3-29	22	1	113-62456	3-53	1	1
08.6200.6.012	3-21	7	(2)	111-00500	3-29	19	1	113-64403	3-57	26	1
08.6702.8.000	3-17	56*	10	111-00609	3-55	34	1	113-64502	3-57	30	1
08.6832.6.000	3-21	8	(2)	111-01003	3-51	27	1	113-64601	3-57	31	1
100-04109	3-29	15	1	111-01151	3-51	20	1	113-64700	3-51	13	(1)
110-00619	3-29	12	1	111-01300	3-51	18	1	113-69402	3-57	37	(1)
110-00858	3-29	4	1	111-01417	3-51	22	1	113-69451	3-57	32	1
110-01500	3-29	33	1	111-02001	3-51	4	(1)	113-92107	3-55	33	1
110-18504	3-29	32	1	111-02100	3-51	5	(1)	114-00405	3-29	30	1
110-20005	3-55	19	(1)	111-02209	3-51	6	(1)	12.0008.3.411	3-23	13	1
110-20054	3-55	16	1	111-02308	3-51	12	(1)	12.0008.3.411	3-23	23	1
110-20203	3-55	25	(1)	111-02605	3-29	10	1	12.0008.3.417	3-23	16	1
110-20302	3-55	17	(1)	111-02753	3-51	28	1	12.0008.3.418	3-23	20	1
110-20401	3-55	23	(1)	111-41702	3-57	38	(1)	12.0008.3.420	3-23	22	1
110-20500	3-55	21	(1)	111-85006	3-61	5	(1)	12.0008.3.426	3-23	26	2
110-20609	3-55	22	(1)	111-85055	3-61	1	1	12.0008.3.463	3-23	17	1
110-20708	3-55	27	(1)	111-85105	3-61	14	(1)	12.0008.3.479	3-23	19	1
110-20807	3-55	24	(1)	111-85204	3-61	10	(1)	12.0008.3.482	3-23	10	8
110-20906	3-55	18	(1)	111-85352	3-61	9	(1)	12.0008.3.484	3-23	18	1
110-21201	3-55	15	1	111-85402	3-61	7	(2)	12.0008.3.638	3-23	12	1
110-21300	3-55	35	1	111-85501	3-61	2	(2)	12.0008.3.651	3-23	14	1
110-21409	3-55	28	1	112-17601	3-51	16	1	12.0008.3.652	3-23	8	1
110-21706	3-55	3	1	112-33053	3-53	15	(1)	12.0008.3.694	3-23	2	1
110-23108	3-57	3	(1)	112-33202	3-53	10	(1)	12.0008.3.696	3-23	21	1
110-23702	3-57	20	(1)	112-33251	3-53	19	(1)	12.0008.3.701	3-23	6	1
110-23751	3-57	16	1	112-33301	3-53	7	(1)	12.0008.3.715	3-23	15	1
110-23801	3-57	21	(1)	112-33400	3-53	4	(1)	12.0008.3.716	3-23	24	1
110-24015	3-57	7	(1)	112-34408	3-53	6	(1)	12.0008.3.717	3-23	25	1
110-24106	3-57	8	(1)	112-34507	3-53	13	(1)	12.0008.4.411	3-23	9	1
110-24205	3-57	15	(1)	112-34606	3-53	8	(1)	12.0008.4.571	3-21	3	(2)
110-24304	3-57	23	1	112-58001	3-53	3	(1)	12.0008.4.574	3-21	4	(1)
110-24403	3-57	19	(1)	113-00506	3-29	2	1	12.0008.6.406	3-21	2	(2)
110-24510	3-57	10	(1)	113-25750	3-29	1	1	12.0010.4.256	3-7	26	1
110-30202	3-29	21	1	113-55906	3-55	12	(1)	135-22206	3-53	30	1
110-45002	3-29	28	(1)	113-55955	3-55	11	1	24.0146.0.000	3-21	6	(1)
110-45101	3-29	25	(1)	113-56052	3-55	13	(1)	24.0147.0.000	3-21	9	(1)
110-45200	3-29	27	(1)	113-56201	3-55	7	1	84.0004.6.586	3-21	1	1
110-45309	3-29	24	(1)	113-59700	3-53	17	(1)	84.0004.6.910	3-23	1	1
110-46604	3-55	1	1	113-59809	3-53	26	(1)	84.0004.7.115	3-23	4	1
110-47107	3-57	4	(4)	113-59957	3-53	23	(1)	84.0004.7.148	3-23	7	1
110-70901	3-29	11	1	113-60153	3-53	22	(1)	84.0004.7.149	3-23	5	1
110-72204	3-29	36	(1)	113-60708	3-57	2	(1)	84.0005.9.022	3-21	11	1
110-72352	3-29	35	1	113-60757	3-57	1	(1)	84.8001.0.002	3-21	10	(1)

INDEX

PART NUMBER	PAGE	DET	QTY	PART NUMBER	PAGE	DET	QTY	PART NUMBER	PAGE	DET	QTY
B1114-012-000	3-29	8	1	RE-0500000-KP	3-51	17	2	TA-1250705-R0	3-29	7	1
B2616-372-000	3-55	10	1	RE-0900000-K0	3-51	19	1	TA-2000502-R0	3-29	17	1
B3111-126-000	3-29	43	(1)	RE-0900000-K0	3-53	9	(1)	TA-2101002-R0	3-29	20	1
B3115-552-000	3-29	41	(1)	RE-1000000-K0	3-57	9	(1)	WP-0482086-SD	3-53	29	1
B3120-125-000	3-29	37	(1)	RE-1200000-K0	3-51	23	1	WP-0621016-SD	3-57	35	(2)
B3126-012-000	3-29	40	(2)	RO-0982401-00	3-57	6	(1)	WP-1221016-SP	3-53	5	(1)
B3128-012-000	3-29	42	(1)	RO-1952401-00	3-55	2	1	WP-1602616-SZ	3-51	24	1
B3129-012-A00	3-29	38	(1)	SD-0550212-TP	3-53	24	(2)	WP-1612616-SE	3-61	17	(2)
B3132-552-000	3-29	39	(1)	SE-4301041-SR	3-55	26	(3)	WS-0451040-KP	3-55	32	1
B3214-047-000	3-29	26	(2)	SK-3412000-SC	3-57	27	3	WS-0651310-KP	3-55	30	1
B3305-704-000-A	3-61	11	(1)	SL-4030621-SS	3-53	2	(1)	01.1327.0.000	3-13	34	2
B3311-012-000	3-61	4	(2)	SL-4030641-SE	3-53	18	(4)	04.9084.0.002	3-15	42	1
B3311-704-000	3-61	8	(1)	SL-4030851-SF	3-55	20	(3)	04.9084.0.401	3-15	44	-1
B3317-704-000	3-61	16	(1)	SM-4031501-SC	3-51	8	(2)	04.9084.0.501	3-15	43	-1
B3320-704-L00-A	3-61	3	(2)	SM-4040655-SP	3-51	3	(1)	04.9084.0.705	3-13	35	1
B3419-122-000	3-57	18	(1)	SM-4041655-SP	3-51	7	(1)	04.9084.0.706	3-7	28	1
B3431-552-000-A	3-57	17	(1)	SM-4051405-SE	3-61	6	(2)	04.9084.0.707	3-9	10	1
B3514-412-000	3-55	9	1	SM-4051405-SE	3-61	12	(2)	04.9084.0.713	3-19	9	1
B3538-112-000	3-55	5	1	SM-8063012-TR	3-57	13	(2)	04.9084.0.714	3-7	10	1
BT-0500300-EA	3-55	14	0.52)	SM-9061203-SE	3-57	22	(1)	04.9084.0.750	3-19	13	1
CM-3002000-C1	3-29	14	1	SM-9061853-SR	3-57	14	(1)	08.6000.0.025	3-17	66	4
CM-3002001-A1	3-29	13	1	SM-9062053-SR	3-57	11	(2)	08.6000.3.006	3-7	42	1
CQ-2520000-00	3-55	8	0.21	SS-4110715-SP	3-57	25	2	08.6000.3.010	3-17	69*	3
D2468-555-B00	3-51	25	1	SS-4120615-SP	3-29	29	1	08.6000.3.012	3-7	2	1
GAK-300010B0	3-57	33	(1)	SS-4120615-SP	3-29	31	1	08.6000.3.016	3-3	10	1
GAK-30005000	3-57	36	(1)	SS-4120615-SP	3-51	14	1	08.6000.4.008	3-11	19	1
HA-0005900-00	3-53	12	(1)	SS-4120615-SP	3-55	6	1	08.6000.4.008	3-13	25	2
HA-0019000-00	3-51	11	(1)	SS-4120915-SP	3-29	9	8	08.6000.4.012	3-7	34	1
HK-0346400-0B	3-51	10	(2)	SS-4120915-SP	3-51	30	1	08.6000.4.020	3-13	19	3
HK-0346400-0B	3-51	15	2	SS-4120915-SP	3-53	28	1	08.6000.4.025	3-13	32	2
HK-0346400-0B	3-53	21	(2)	SS-4121415-SP	3-53	27	1	08.6000.4.040	3-13	12	2
HW-2003900-00	3-53	11	(0.05)	SS-4150915-SP	3-55	4	1	08.6000.5.016	3-5	77	2
HW-5000700-00	3-51	9	(1.31)	SS-4150915-SP	3-55	36	1	08.6000.5.016	3-11	13	1
HW-5000700-00	3-53	16	(1.33)	SS-4151215-SP	3-51	29	2	08.6000.5.025	3-5	65	1
MAO-11532000	3-61	18	(3)	SS-4151215-SP	3-55	29	1	08.6000.6.035	3-3	6	1
NM-6050001-SE	3-61	13	(2)	SS-6080410-SP	3-29	3	1	08.6000.6.065	3-3	48	3
NM-6050001-SE	3-61	15	(2)	SS-6110710-TP	3-53	20	(2)	08.6000.6.080	3-15	16	1
NM-6050001-SE	3-61	19	(2)	SS-6111010-TP	3-55	31	1	08.6000.8.018	3-17	54	1
NM-6060001-SE	3-57	12	(2)	SS-6121840-SP	3-29	18	1	08.6010.7.012	3-9	12*	2
NS-6090310-SP	3-29	16	1	SS-6700710-SH	3-57	5	(1)	08.6012.1.008	3-11	12	1
NS-6090310-SP	3-57	29	8	SS-7090410-SP	3-53	25	(1)	08.6012.7.012	3-7	8	3
RE-0300000-K0	3-53	14	(2)	SS-7090710-SP	3-57	28	8	08.6015.3.025	3-9	21	1
RE-0400000-K0	3-51	26	2	TA-0850604-R0	3-29	6	2	08.6100.3.008	3-5	58	4
RE-0400000-K0	3-57	34	(1)	TA-0850604-R0	3-29	34	1	08.6100.3.010	3-3	47	2
RE-0400000-KP	3-51	21	1	TA-1250504-R0	3-29	5	2	08.6100.3.010	3-7	17	2

INDEX

PART NUMBER	PAGE	DET	QTY	PART NUMBER	PAGE	DET	QTY	PART NUMBER	PAGE	DET	QTY
08.6100.3.016	3-9	13*	2	08.6702.4.000	3-13	6	2	110-08703	3-39	31	0
08.6100.3.030	3-9	7	3	08.6702.5.000	3-3	23	5	110-08802	3-39	34	0
08.6100.5.010	3-5	66	2	08.6702.5.000	3-9	03*	3	110-09008	3-39	29	0
08.6100.6.020	3-13	15	1	08.6702.6.000	3-15	45	1	110-09107	3-39	42	0
08.6200.3.006	3-3	44	3	08.6702.7.000	3-7	9	3	110-09206	3-39	14	0
08.6200.3.008	3-7	5	4	08.6752.8.000	3-15	49*	28	110-09503	3-39	1	0
08.6200.3.008	3-9	24*	2	08.6802.3.000	3-7	19	1	110-09602	3-39	3	0
08.6200.4.008	3-3	3	3	08.6802.3.000	3-9	20	5	110-09701	3-39	5	0
08.6200.4.008	3-13	20	2	08.6802.8.000	3-5	64	1	110-09909	3-39	9	0
08.6200.4.010	3-13	9	2	08.6802.8.000	3-17	57	25	110-10154	3-39	27	0
08.6200.5.010	3-5	59	2	08.6850.4.000	3-11	23	1	110-10303	3-39	18	0
08.6200.5.012	3-3	32	1	08.6852.0.000	3-15	48*	12	110-10410	3-39	25	0
08.6200.5.012	3-7	3	3	08.6852.3.000	3-9	15*	5	110-10519	3-41	64	1
08.6200.5.016	3-3	20	2	08.6852.4.000	3-5	73	1	110-10709	3-41	61	1
08.6200.5.016	3-17	64*	5	08.6852.4.000	3-11	9	1	110-10808	3-39	41	0
08.6200.5.016	3-17	65	24	08.6852.4.000	3-13	4	2	110-10907	3-39	40	0
08.6200.6.010	3-11	4	2	08.6852.6.000	3-3	7	1	110-11301	3-39	20	0
08.6200.6.016	3-11	5	2	08.6852.8.000	3-3	46	1	110-11509	3-39	6	0
08.6200.6.025	3-17	67*	4	08.6852.8.000	3-17	52*	40	110-14008	3-39	16	0
08.6212.8.030	3-17	55*	8	08.6852.8.000	3-17	53	23	110-14156	3-39	47	0
08.6312.0.020	3-15	47*	12	08.7000.6.012	3-7	40	1	110-14206	3-41	50	1
08.6312.3.012	3-7	18	1	08.7000.8.015	3-11	14	1	110-14354	3-41	59	1
08.6312.8.025	3-17	50*	32	110-01104	3-31	57	4	110-15005	3-35	30	1
08.6312.8.025	3-17	51	4	110-01609	3-31	55	(1)	110-15807	3-35	26	1
08.6400.3.003	3-9	9	3	110-01658	3-31	53	1	110-15906	3-35	34	(1)
08.6400.3.003	3-13	3	2	110-02300	3-33	21	1	110-15955	3-35	33	1
08.6400.3.005	3-15	46	2	110-02409	3-33	30	1	110-17357	3-33	2	1
08.6400.4.005	3-5	53	2	110-02508	3-33	31	1	110-18603	3-31	49	1
08.6400.4.008	3-9	6	2	110-02904	3-33	40	1	110-21706	3-45	67	1
08.6400.4.010	3-3	40	1	110-03001	3-33	42	1	110-23504	3-59	7	1
08.6400.5.004	3-3	31	2	110-04009	3-35	22	1	110-25202	3-59	8	2
08.6400.6.008	3-17	63	1	110-04207	3-35	25	1	110-32158	3-33	36	(1)
08.6420.6.008	3-13	21	1	110-04306	3-35	24	1	110-32562	3-33	39	1
08.6500.5.010	3-3	38	1	110-05204	3-33	7	(1)	110-37157	3-41	56	1
08.6532.8.055	3-17	71	2	110-06350	3-37	7	1	110-37207	3-39	38	0
08.6630.5.020	3-17	68*	16	110-06756	3-37	4	1	110-37355	3-39	37	0
08.6630.5.020	3-17	70	6	110-06905	3-37	9	1	110-37405	3-39	19	0
08.6632.2.016	3-17	62	4	110-07101	3-37	10	1	110-38650	3-35	46	1
08.6632.3.016	3-17	61	3	110-08000	3-33	27	(1)	110-38759	3-35	37	1
08.6646.3.01	3-17	58*	6	110-08059	3-33	25	1	110-38809	3-35	31	1
08.6646.3.016	3-17	59	2	110-08109	3-33	28	1	110-38908	3-35	42	1
08.6646.4.030	3-17	60*	12	110-08208	3-39	8	0	110-39062	3-33	5	(1)
08.6702.3.000	3-5	74	1	110-08356	3-39	44	0	110-39070	3-33	4	1
08.6702.3.000	3-7	6	7	110-08455	3-39	30	0	110-42306	3-43	38	1
08.6702.3.000	3-9	16*	7	110-08604	3-39	32	0	110-42652	3-43	47	(1)

INDEX

PART NUMBER	PAGE	DET	QTY	PART NUMBER	PAGE	DET	QTY	PART NUMBER	PAGE	DET	QTY
110-42900	3-43	50	1	113-45808	3-31	75	2	113-57209	3-47	25	1
110-43007	3-45	55	(1)	113-46004	3-31	78	1	113-57308	3-47	3	1
110-43205	3-45	57	(1)	113-46400	3-31	74	1	113-57407	3-47	1	1
110-43304	3-45	62	(1)	113-46905	3-31	77	1	113-57506	3-47	24	1
110-43403	3-45	59	(1)	113-49008	3-33	10	1	113-57704	3-47	19	1
110-43908	3-45	58	(1)	113-49107	3-33	17	1	113-57803	3-47	27	1
110-44054	3-45	68	1	113-49214	3-33	12	(1)	113-57902	3-47	29	1
110-45408	3-37	15	2	113-49370	3-33	11	1	113-58108	3-47	13	1
110-45705	3-37	38	1	113-49404	3-33	18	1	113-58207	3-47	10	1
110-46000	3-37	46	1	113-49701	3-35	3	1	113-58306	3-47	31	1
110-52701	3-39	11	0	113-49800	3-35	23	1	12.0008.4.580	3-3	1	1
110-71461	3-33	32	1	113-49909	3-35	43	1	12.0008.3.251	3-25	16	1
110-71602	3-37	22	1	113-51004	3-35	40	1	12.0008.3.267	3-15	34*	1
110-71701	3-37	23	1	113-51400	3-43	2	1	12.0008.3.411	3-3	26	2
110-71800	3-37	1	1	113-51509	3-43	13	1	12.0008.3.411	3-5	57	1
110-72006	3-39	12	0	113-51608	3-43	11	1	12.0008.3.411	3-13	22	4
110-72154	3-41	65	1	113-51806	3-43	1	2	12.0008.3.473	3-7	23	0
110-76601	3-59	2	(1)	113-51905	3-43	8	1	12.0008.3.521	3-5	72	1
110-76650	3-59	1	1	113-52101	3-43	3	1	12.0008.3.621	3-3	4	2
110-76700	3-59	3	(1)	113-52200	3-43	6	1	12.0008.3.621	3-9	25	1
110-76809	3-59	5	(1)	113-52309	3-43	17	1	12.0008.3.632	3-25	15	1
110-76858	3-59	4	(1)	113-52408	3-43	15	1	12.0008.3.634	3-11	6	1
110-76957	3-59	6	(1)	113-52507	3-43	24	1	12.0008.3.649	3-9	26	1
110-77500	3-59	25	(1)	113-52606	3-43	20	1	12.0008.3.659	3-3	5	1
110-77567	3-59	13	1	113-52705	3-43	41	1	12.0008.3.670	3-5	56	1
110-77609	3-59	26	(1)	113-52804	3-43	43	1	12.0008.3.673	3-11	10	1
110-78003	3-59	22	(1)	113-52903	3-43	39	1	12.0008.3.693	3-7	30	1
110-78102	3-59	20	(1)	113-53059	3-43	32	1	12.0008.3.700	3-3	8	1
110-78250	3-59	14	(1)	113-53307	3-45	53	(1)	12.0008.3.701	3-3	21	2
110-92301	3-39	24	0	113-53406	3-43	26	1	12.0008.3.718	3-13	5	2
111-00252	3-39	33	0	113-53505	3-43	31	1	12.0008.3.719	3-9	29	1
111-00401	3-39	2	0	113-53604	3-43	30	1	12.0008.4.403	3-15	3	1
111-41355	3-35	45	1	113-54008	3-43	46	(1)	12.0008.4.484	3-19	4	1
112-05309	3-37	14	1	113-54057	3-43	45	1	12.0008.4.584	3-15	13	1
112-05408	3-37	13	1	113-54107	3-43	40	1	12.0008.4.594	3-15	38	1
113-00407	3-31	58	1	113-54404	3-43	21	1	12.0008.4.640	3-11	7	0
113-01355	3-37	31	1	113-54602	3-43	10	1	12.0008.4.654	3-11	8	1
113-01405	3-37	32	(1)	113-55054	3-45	52	1	12.0008.4.690	3-19	5	1
113-01652	3-37	20	1	113-55203	3-37	43	1	12.0008.4.713	3-15	28	1
113-01702	3-37	5	1	113-55450	3-37	35	1	12.0008.4.720	3-19	2	1
113-05513	3-31	46	1	113-55609	3-37	41	1	12.0008.4.721	3-19	3	1
113-05901	3-37	37	1	113-56904	3-47	4	1	12.0008.4.748	3-19	8	1
113-06107	3-37	34	1	113-57001	3-47	8	1	12.0008.4.762	3-19	14	2
113-45600	3-31	62	1	113-57100	3-47	16	1	12.0008.4.835	3-19	1	2
113-45709	3-31	60	1	113-57209	3-47	6	1	12.0008.4.868	3-15	5	1

INDEX

PART NUMBER	PAGE	DET	QTY	PART NUMBER	PAGE	DET	QTY	PART NUMBER	PAGE	DET	QTY
12.0008.4.870	3-19	10	1	84.0002.9.070	3-3	35	1	84.0005.9.011	3-11	3	1
12.0008.4.871	3-19	7	1	84.0002.9.126	3-3	36	1	84.0005.9.013	3-11	11	1
12.0008.6.215	3-25	02	1	84.0003.0.220	3-25	09	10	84.0005.9.016	3-7	36	4
12.0008.6.219	3-15	24*	0	84.0003.0.370	3-25	04	1	84.0005.9.038	3-15	7	1
12.0008.6.220	3-15	22*	1	84.0003.0.380	3-25	5	1	84.0005.9.050	3-7	13	1
12.0008.6.517	3-15	41	-4	84.0003.0.390	3-25	13	1	84.0005.9.056	3-13	33	1
12.0008.6.901	3-15	26*	1	84.0003.0.620	3-3	49	1	84.0005.9.057	3-15	39	1
12.0010.4.025	3-7	37	1	84.0003.0.715	3-7	29	1	84.0005.9.058	3-13	36	1
12.0010.4.025	3-13	37	1	84.0003.0.790	3-9	27	1	84.0005.9.061	3-13	29	1
12.0010.4.098	3-17	72	1	84.0003.0.802	3-9	2	1	84.0005.9.065	3-13	16	1
12.0010.4.098	3-17	74	1	84.0003.0.805	3-9	17	1	84.0005.9.088	3-7	43	1
12.0010.4.100	3-19	15	1	84.0003.0.821	3-9	1	1	84.0005.9.090	3-7	27	1
12.0010.4.102	3-17	73	1	84.0003.0.835	3-9	8	1	84.0005.9.110	3-5	63	1
12.1014.0.308	3-3	34	1	84.0003.0.860	3-9	14	2	84.0005.9.140	3-5	76	1
12.1014.0.308	3-13	24	2	84.0003.0.870	3-9	22	1	84.0005.9.161	3-11	17	1
12.1014.0.510	3-7	22	1	84.0003.0.871	3-5	75	1	84.0005.9.166	3-11	20	1
12.2010.0.003	3-5	51	1	84.0003.0.880	3-9	28	2	84.0005.9.166	3-11	22	1
12.5050.1.502	3-15	40	1	84.0003.0.890	3-9	18	1	84.0005.9.170	3-7	7	1
17.0011.2.013	3-13	31	2	84.0003.0.900	3-9	30	1	84.0005.9.171	3-11	18	1
180-77503	3-31	68	1	84.0004.0.163	3-7	21	1	84.0005.9.172	3-11	16	1
19.0044.1.629	3-13	30	2	84.0004.5.115	3-9	04*	1	84.0005.9.173	3-11	17	1
24.6032.4.010	3-19	11	1	84.0004.6.525	3-5	60	2	84.0005.9.173	3-25	10	1
84.0001.3.203	3-7	24	1	84.0004.6.530	3-3	25	1	84.0005.9.174	3-11	15	2
84.0002.0.016	3-15	21*	5	84.0004.6.535	3-3	24	1	84.0005.9.196	3-25	14	4
84.0002.0.125	3-15	19	1	84.0004.6.560	3-15	35*	1	84.0005.9.300	3-3	30	1
84.0002.0.125	3-25	01	1	84.0004.6.580	3-15	04*	4	84.0005.9.301	3-3	19	1
84.0002.0.345	3-15	25*	2	84.0004.6.655	3-15	14	1	84.0005.9.325	3-3	43	1
84.0002.0.352	3-15	20*	5	84.0004.6.655	3-15	27	1	84.0005.9.330	3-3	9	1
84.0002.0.380	3-15	37	1	84.0004.6.680	3-15	15	1	84.0005.9.340	3-3	42	1
84.0002.0.430	3-15	08*	1	84.0004.6.685	3-15	17	2	84.0005.9.345	3-3	13	2
84.0002.0.435	3-15	09*	1	84.0004.6.720	3-15	29	1	84.0005.9.346	3-3	45	1
84.0002.0.436	3-15	01*	1	84.0004.6.725	3-15	36	1	84.0005.9.350	3-5	55	1
84.0002.0.440	3-15	23*	1	84.0004.6.750	3-7	15	1	84.0005.9.355	3-5	52	1
84.0002.1.062	3-15	11*	12	84.0004.6.771	3-15	12*	2	84.0005.9.360	3-9	23	1
84.0002.5.280	3-3	28	1	84.0004.6.790	3-15	18	1	84.0005.9.365	3-7	32	1
84.0002.5.440	3-7	39	1	84.0004.6.815	3-15	32*	1	84.0005.9.365	3-25	12	1
84.0002.5.450	3-7	41	1	84.0004.6.820	3-15	31*	1	84.0005.9.366	3-7	35	1
84.0002.5.540	3-7	38*	1	84.0004.6.935	3-5	67	1	84.0005.9.367	3-7	32*	1
84.0002.5.550	3-7	38	1	84.0004.8.455	3-15	6	1	84.0005.9.368	3-7	32*	1
84.0002.5.560	3-7	38*	1	84.0004.9.036	3-15	33*	1	84.0005.9.370	3-9	11	1
84.0002.8.200	3-3	33	1	84.0004.9.100	3-15	10*	6	84.0005.9.380	3-3	22	1
84.0002.8.251	3-9	5	1	84.0004.9.420	3-15	30*	1	84.0005.9.390	3-7	33	1
84.0002.9.010	3-3	29	1	84.0005.5.115	3-3	50	1	84.0005.9.391	3-7	25	1
84.0002.9.010	3-25	11	1	84.0005.7.010	3-7	14	1	84.0005.9.415	3-9	19	1
84.0002.9.020	3-3	37	1	84.0005.8.220	3-3	16	1	84.0005.9.420	3-3	15	1

INDEX

PART NUMBER	PAGE	DET	QTY	PART NUMBER	PAGE	DET	QTY	PART NUMBER	PAGE	DET	QTY
84.0005.9.425	3-3	12	1	B1306-155-0B0	3-35	12	(1)	B9117-012-000	3-35	36	1
84.0005.9.430	3-7	20	1	B1306-155-0C0	3-35	11	1	CM-3002000-01	3-31	84	1
84.0005.9.442	3-13	26	1	B1307-155-0A0	3-35	18	(1)	CM-3002000-B1	3-31	85	1
84.0005.9.445	3-13	27	1	B1307-155-0B0	3-35	17	(1)	CM-3002001-01	3-31	86	1
84.0005.9.450	3-13	2	2	B1308-155-0A0	3-35	20	(1)	CS-064061A-SP	3-37	17	1
84.0005.9.455	3-13	1	1	B1402-552-000-A	3-35	2	1	CS-079073A-SH	3-35	38	1
84.0005.9.460	3-13	18	1	B1403-155-000	3-35	7	1	CS-079101A-SH	3-35	28	1
84.0005.9.465	3-13	17	1	B1405-012-000	3-35	1	1	CS-147121A-SH	3-33	22	1
84.0005.9.470	3-13	14	1	B1408-552-000	3-33	8	(1)	CS-147121A-SH	3-41	51	1
84.0005.9.475	3-13	7	1	B1411-552-0A0	3-35	5	1	CS-147121A-SH	3-41	62	1
84.0005.9.480	3-13	13	1	B1414-555-000	3-35	4	1	D2588-L8W-B00	3-43	22	1
84.0005.9.485	3-13	10	1	B1418-530-000	3-35	9	1	HK-0346101-40	3-45	66	1
84.0005.9.490	3-13	11	2	B1453-771-0A0	3-43	23	1	HK-0346400-0B	3-43	37	2
84.0005.9.491	3-13	28	1	B1501-530-000	3-37	42	1	HX-0004300-00	3-33	44	1
84.0005.9.495	3-3	41	1	B1502-541-000	3-37	27	1	M4007-110-0AA	3-33	37	(1)
84.0005.9.500	3-7	12	1	B1505-227-000-A	3-37	25	1	M4007-110-0AB	3-33	38	(1)
84.0005.9.501	3-7	1	1	B1510-227-000	3-37	24	1	M6001-350-AAA	3-31	69	1
84.0005.9.502	3-7	11	1	B1521-555-000	3-37	2	1	M6001-350-AAF	3-31	73	1
84.0005.9.505	3-5	62	1	B1524-530-DB0	3-37	30	1	MC-2005009-00	3-35	27	1
84.0005.9.515	3-7	31	1	B1613-522-N00-A	3-39	22	0	MDB-100B1400	3-35	10	1
84.0005.9.516	3-3	39	1	B1808-552-000	3-35	35	(1)	MDP-500B1400	3-35	41	1
84.0005.9.517	3-3	17	1	B1903-552-000	3-33	9	(1)	NM-6040000-SN	3-45	61	(2)
84.0005.9.518	3-3	18	1	B1905-541-B00	3-33	6	(2)	NS-6110310-SP	3-43	19	1
84.0005.9.520	3-3	11	1	B1909-505-000	3-33	3	1	NS-6120310-SP	3-47	37	(1)
84.0005.9.520	3-3	14	1	B3118-415-000	3-31	64	(1)	NS-6120480-SP	3-47	42	1
84.0005.9.522	3-3	27	1	B3125-012-000	3-59	18	(1)	NS-6150310-SP	3-47	32	2
84.0005.9.525	3-13	8	2	B3126-012-000	3-59	16	(2)	NS-6150310-SP	3-43	25	1
84.0005.9.550	3-5	68	3	B3129-012-B00	3-59	17	(1)	NS-6150430-SP	3-43	28	1
84.0005.9.551	3-5	69	3	B3133-415-0A0	3-31	63	1	NS-6150430-SP	3-43	35	1
84.0005.9.552	3-5	70	1	B3136-415-000	3-31	65	(1)	NS-6620310-SP	3-37	6	2
84.0005.9.553	3-5	71	1	B3204-555-000	3-59	27	(1)	NS-6660410-SH	3-45	63	(1)
84.0005.9.570	3-5	61	1	B3211-555-000	3-59	21	(1)	NS-6660430-SP	3-45	64	(1)
84.0005.9.685	3-11	21	1	B4101-531-000	3-49	53	1	NS-6680410-SP	3-39	46	0
84.0010.9.830	3-25	03	1	B4107-522-000	3-49	55	1	RC-0150001-KP	3-39	39	0
84.8001.0.001	3-19	12	1	B4114-530-000	3-49	52	1	RC-0150001-KP	3-41	55	1
84.8001.0.003	3-19	6	1	B4115-530-000	3-47	50	1	RC-1850001-KP	3-33	24	1
B1110-012-000	3-31	54	(1)	B4116-530-000	3-49	51	1	RC-2651218-KP	3-43	7	1
B1115-522-000-A	3-31	82	1	B4117-530-0A0	3-47	35	1	RE-0300000-K0	3-37	33	(2)
B1115-530-00F	3-31	81	1	B4120-530-000	3-47	46	1	RE-0300000-K0	3-37	36	1
B1148-555-000	3-39	10	0	B4121-522-000	3-47	43	1	RE-0500000-K0	3-47	11	1
B1190-522-S00	3-31	47	1	B4122-522-000	3-47	44	1	RE-0500000-K0	3-37	8	1
B1193-530-000	3-31	76	1	B4123-522-00A	3-47	5	1	RE-0500000-K0	3-37	19	1
B1215-552-000	3-33	20	1	B4124-530-000	3-47	30	1	RE-0500000-K0	3-39	26	0
B1305-012-0A0	3-35	13	(1)	B4126-530-000	3-47	14	1	RE-0500000-K0	3-39	28	0
B1306-155-0A0	3-35	15	(1)	B4132-522-000-A	3-49	54	1	RE-0500000-K0	3-45	54	(1)

INDEX

PART NUMBER	PAGE	DET	QTY	PART NUMBER	PAGE	DET	QTY	PART NUMBER	PAGE	DET	QTY
RE-0600000-KO	3-43	18	2	SS-4150915-SP	3-37	39	1	SS-7121610-SP	3-39	48	0
RO-0291801-00	3-33	43	1	SS-4150915-SP	3-43	16	2	SS-7150940-SP	3-33	19	2
RO-0371801-00	3-37	3	1	SS-4151215-SP	3-45	65	2	SS-7681650-TP	3-33	14	(1)
RO-0442401-00	3-33	13	(1)	SS-6060210-SP	3-31	56	(1)	SS-8090670-SP	3-31	44	(1)
RO-0481901-00	3-47	26	1	SS-6090510-SP	3-43	48	(2)	SS-8110410-TP	3-35	39	(2)
RO-0781901-00	3-41	53	1	SS-6090620-SP	3-39	15	0	SS-8110520-TP	3-45	51	1
RO-0922702-00	3-39	17	0	SS-6090620-SP	3-39	35	0	SS-8110710-SP	3-43	9	1
SD-0490261-SP	3-59	23	(1)	SS-6090620-SP	3-39	43	0	SS-8150710-SP	3-31	45	1
SD-0500251-SP	3-43	4	2	SS-6090650-SP	3-33	29	2	SS-8150710-SP	3-39	36	0
SD-0600322-SD	3-37	12	1	SS-6090670-TP	3-35	6	(1)	SS-8151150-SP	3-33	1	1
SD-0600361-SP	3-43	34	1	SS-6090810-TP	3-47	49	1	SS-8151150-TP	3-47	7	1
SD-0630275-SP	3-43	44	1	SS-6090910-SP	3-47	40	(1)	SS-8151550-SP	3-33	35	(2)
SD-0640261-SP	3-37	40	1	SS-6090910-SP	3-37	29	1	SS-8152080-SP	3-47	33	2
SD-0640261-SP	3-43	42	1	SS-6110420-TP	3-35	29	(2)	SS-8660610-TP	3-33	15	(2)
SD-0640604-TP	3-47	23	1	SS-6110610-TP	3-31	50	1	SS-8660610-TP	3-33	23	(2)
SD-0641452-TP	3-43	49	1	SS-6110610-TP	3-31	61	1	SS-8660610-TP	3-37	26	1
SD-0701511-TP	3-43	33	1	SS-6110710-TP	3-45	56	(1)	SS-8660610-TP	3-41	52	(2)
SD-0720331-SP	3-37	11	1	SS-6110810-TP	3-47	38	(1)	SS-8660610-TP	3-41	63	(2)
SD-0790431-SP	3-47	15	1	SS-6111010-SP	3-35	32	1	SS-8660610-TP	3-43	27	2
SD-0920321-SP	3-47	12	1	SS-6111210-SP	3-33	33	(2)	SS-8660810-TP	3-35	14	(2)
SD-1000801-SH	3-41	49	1	SS-6121220-TP	3-47	18	1	SS-8660810-TP	3-35	16	(2)
SK-3412000-SC	3-59	11	2	SS-6121220-TP	3-47	28	1	SS-8660810-TP	3-35	19	(2)
SK-3412000-SC	3-59	31	2	SS-6121220-TP	3-43	5	1	SS-8660810-TP	3-35	21	(2)
SL-4051001-MZ	3-33	41	2	SS-6121610-SP	3-39	45	0	SS-8661030-SP	3-41	66	(1)
SM-8040502-TP	3-59	28	(1)	SS-6121860-SP	3-39	13	0	SS-8661040-TP	3-41	67	(1)
SS-1090510-SP	3-43	14	1	SS-6660610-TP	3-43	29	2	SS-8681650-TP	3-33	16	(1)
SS-1120710-SP	3-31	59	4	SS-6661110-SP	3-33	26	(2)	SS-9120910-TP	3-47	48	2
SS-2110915-SP	3-31	48	2	SS-7080510-TP	3-35	8	1	SS-9121410-TP	3-47	36	(1)
SS-2110915-SP	3-31	80	2	SS-7081310-SP	3-59	24	(1)	TA-1250406-R0	3-31	51	2
SS-4080310-SP	3-31	79	2	SS-7090520-TP	3-47	20	1	WP-0371026-SD	3-47	39	(1)
SS-4080310-SP	3-31	83	1	SS-7090520-TP	3-47	21	1	WP-0450000-SD	3-45	60	(2)
SS-4080610-SP	3-47	45	2	SS-7090520-TP	3-39	4	0	WP-0450801-SD	3-33	34	(2)
SS-4080620-TP	3-39	23	0	SS-7090620-TP	3-37	18	(2)	WP-0450826-SC	3-59	12	2
SS-4110515-SP	3-59	19	(1)	SS-7090710-SP	3-37	28	1	WP-0450826-SC	3-59	30	2
SS-4110715-SP	3-43	12	2	SS-7110410-SP	3-37	45	1	WP-0480856-SP	3-41	57	(1)
SS-4120615-SP	3-31	67	1	SS-7110510-SP	3-39	21	0	WP-0480856-SP	3-47	47	2
SS-4120615-SP	3-37	44	1	SS-7110720-SP	3-37	16	1	WP-0480856-SP	3-59	29	(1)
SS-4120615-SP	3-37	47	1	SS-7110740-TP	3-41	54	1	WP-0501016-SD	3-31	71	1
SS-4120915-SP	3-47	34	2	SS-7110830-SP	3-47	2	1	WP-0501016-SD	3-47	41	1
SS-4120915-SP	3-35	44	2	SS-7110830-SP	3-47	17	1	WP-0501016-SD	3-59	10	1
SS-4120915-SP	3-35	47	1	SS-7110830-SP	3-47	22	1	WP-0621016-SH	3-43	36	1
SS-4121015-SP	3-31	52	3	SS-7110840-SP	3-59	15	(1)	WP-0650876-SD	3-37	21	1
SS-4121215-SP	3-31	70	1	SS-7111120-SP	3-41	60	(1)	WS-0510002-KP	3-31	72	1
SS-4121415-SP	3-59	9	1	SS-7120770-SH	3-39	7	0	WT-0530002-KS	3-31	66	1
SS-4150915-SP	3-47	9	2	SS-7121410-TP	3-41	58	(1)				

INDEX
