



MorganTecnica

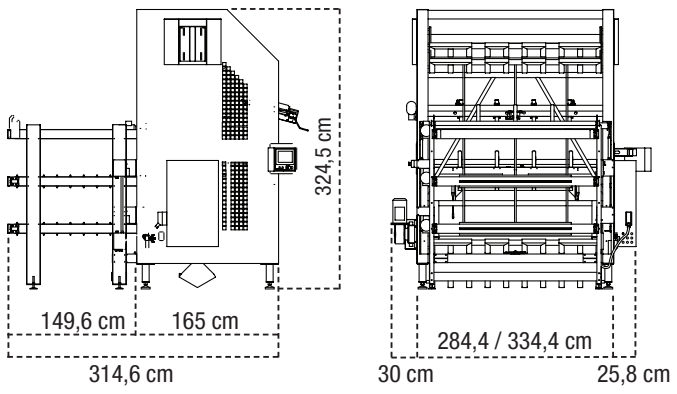
330

Automatic Loaders Range

10 ROLL AUTOMATIC CAROUSEL

10-roll automatic carousel for roll storage and handling. The storage area is made of two overlapped conveyORIZED platforms. The lower platform is dedicated to the roll pre-loading and its already correct sequence set by a special control panel with an interactive Touch PC. The upper one is dedicated to collecting

the used rolls, unloaded by the spreader machine. The roll loading/off-loading system is managed in a fully automatic mode by the carousel to minimize the idle time of the spreader machine and improve its productivity.



TECHNICAL SPECIFICATIONS

• Max. speed up/down	6 m/min
• Max. roll weight	40 Kg
• Max. roll diameter	40 cm
• Installed electrical power	3 Kw
• Average power consumption	3 Kw
• Voltage / Frequency	400 V + 50/60 Hz

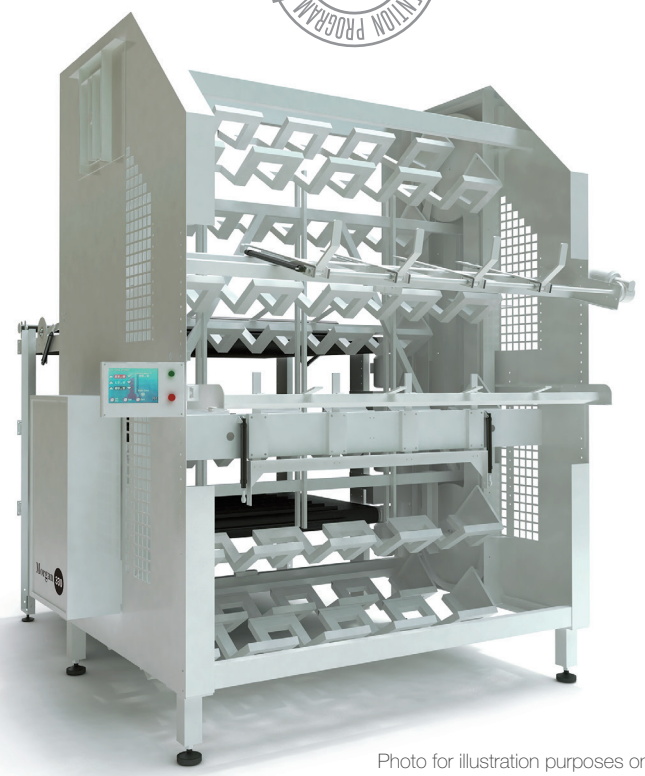


Photo for illustration purposes only

www.morgantecnica.com
marketing@morgantecnica.com

ITALY / INDIA / CANADA / HONG KONG / USA / VIETNAM

