

# PLC-2700 Series

Post-bed, Unison-feed, Lockstitch Machine with Vertical-axis Large Hook

It is the most-advanced sewing machine which is best-suited to the sewing of heavy weight materials sewing processes such as car-seats, sofas and sports goods.



1-needle  
type

**PLC-2710**  
**PLC-2710-7**  
(Direct-drive,  
with automatic thread trimmer)

PLC-2710S-7-0BB/CP-180C

2-needle  
type

**PLC-2760**  
**PLC-2760-7**  
(Direct-drive,  
with automatic thread trimmer)

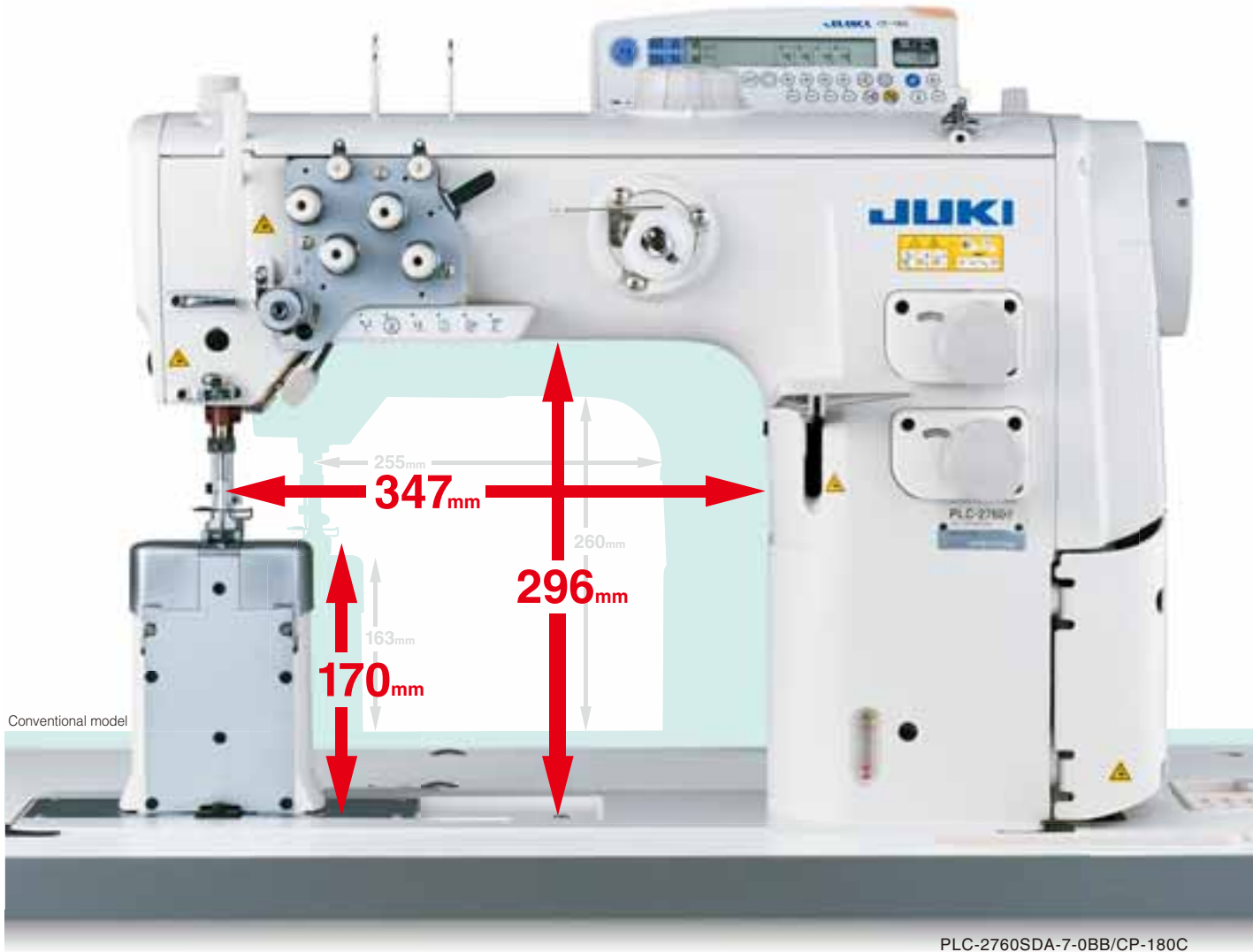
PLC-2760SDA-7-0BB/CP-180C

Post-bed, Unison-feed,  
Lockstitch Machine with Vertical-axis Large Hook

# PLC-2700 Series

Most-advanced machine best suited to the stitching for heavy weight materials.

The long distance from the machine arm to the needle contributes to improved workability



PLC-2760SDA-7-0BB/CP-180C

Stitches with authentic quality

3D stitch  
for car seat of head rest, arm rest, etc.



3D topstitch  
for car seat, sofas, etc.



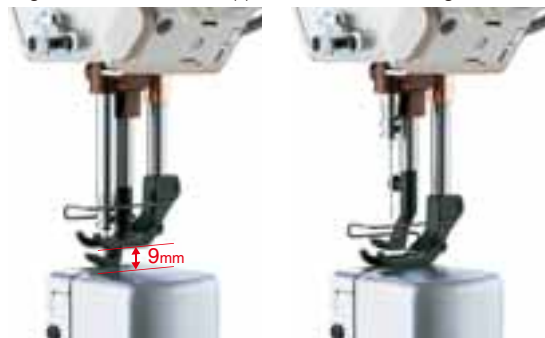
※ The machine is using the guide presser foot.

# Functions for improving seam quality and workability.

## Feed mechanism applied to different materials

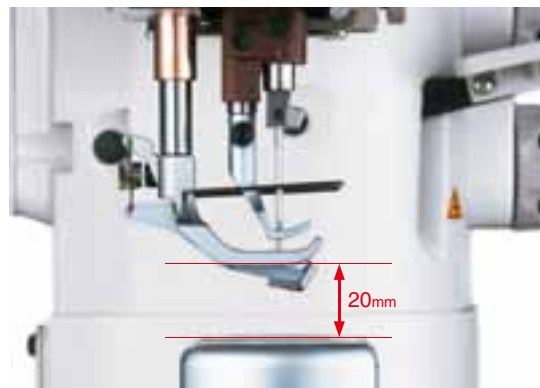
### Walking-foot/presser-foot alternating vertical movement mechanism prevents irregular stitches

The sewing machine has adopted a feed mechanism which keeps the ratio between the amount of the vertical movement of the walking foot and that of the presser foot constant even when the material is changed. The amount of the alternating vertical movement of the walking foot and the presser foot is 9 mm at the maximum. This amount can be set with ease by means of the large dial installed on the upper section of the sewing machine.



### Higher lift of the presser bar

A presser bar height of 20 mm is achieved when using the automatic presser bar lifting lever. Thanks to this feature, the process of joining leather and heavy-weight sponges, which are usually used as materials for expensive sofas, can be carried out with ease.



### Eccentricity of the feed driving cam is adjustable.

Adjustment of the eccentricity of the feed driving cam has been enabled. As a result, the sewing machine is able to perform sewing with the feed that is best-suited to the material and thread used. It is no longer necessary to prepare other subclass model sewing machines.



### The upper and lower feed ratio is adjustable

The upper and lower feed ratio can be changed only by the adjustment of the lower feed amount without changing the upper feed amount, thereby preventing material slippage.



Post-bed, Unison-feed,  
Lockstitch Machine with Vertical-axis Large Hook

## PLC-2710S/2760S

The machine is the standard type without automatic thread trimmer, which is essential for topstitching processes.



PLC-2710S

# Excellent operability by the new mechanism

## New mechanism of thread trimmer

Thread trimming can be stable even at the maximum 12mm sewing length.

## Vertical-axis 2 fold-capacity hook provided as : standard

The hook which can be adjusted with screw amount of needle guard contact to needle. The needle guard can be easily adjusted. Therefore, it prevents stitch skipping and wear of hook edge.



## New lubrication system

Oil does not flow backwards by a valve system. Therefore, oil can be supplied certainly even low speed. Thanks to the stable lubrication to the hook, it produces beautiful seams.



## Double tension provided as : standard

The machine is able to perform sewing with low-count thread under a higher tension, which is difficult for the conventional single-tension method, with ease. The machine comes with a dual-tension thread tension system.

## Multi-functional 6-string switch (with automatic thread trimmer)

Single or Double can be set easy through Multi-functional 6-string switch, regarding the machine with trimmer. (Available for more thick material)

In addition to the one-touch type reverse feed switch, a multi-functional 6-string switch is also provided. Changeover of the amount of the alternating vertical movement of the walking foot and the presser foot and changeover of the stitch length can be done simply with this one switch.



## Stitch length can be changed over among different lengths.

The sewing machine with a thread trimmer is provided as standard with a 2-pitch dial. One unit of this sewing machine is able to sew different sewing lengths since the sewing length can be instantaneously changed over.



## New bobbin thread spool device

New bobbin thread spool device is no necessity of rolling thread manually.



## Reduction of noise and vibration.

Reduce weight by using resin parts for surface of vibration point. Noise and vibration decrease by changing the gear of an Hook into a bevel gear.

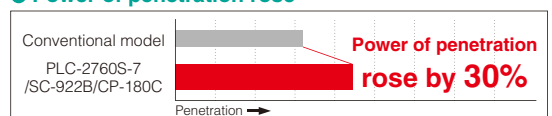
## High-torque direct-drive motor is installed.



The sewing machine provided with a thread trimmer has adopted a high-torque direct-drive motor which is suitable for heavy-weight materials. As a result, the sewing machine is excellent at its responsiveness and ensures increased penetration into the material even when sewing multi-layered parts.

※ It does not contain without automatic thread trimmer.

## Power of penetration rose



## WHEN YOU PLACE ORDERS

Please note when placing orders, that the model name should be written as follows:

### Machine head

#### 1-needle (without automatic thread trimmer)

PLC2710S□□□□□□□□

Pneumatic auto-lifter	Code	Device	Code
Not provided	/	Not provided	/
AK (Pedal switch type)	B	With BT device and DL device	/BT/DL

※/BT/DL type can applied only for head with AK

#### 1-needle (with automatic thread trimmer)

PLC2710S70BB

Pneumatic auto-lifter	Code
AK (Pedal switch type)	B

#### 2-needle (without automatic thread trimmer)

Specifications	Code	Presser foot	Code
Standard	S	With a center guide	A

PLC2760S□A□□□□□□□□

Needle gauge	Code	Pneumatic auto-lifter	Code	Device	Code
6mm	B	Not provided	/	Not provided	/
8mm	C	AK (Pedal switch type)	B	With BT device and DL device	/BT/DL
10mm	D				
12mm	E				

※/BT/DL type can applied only for head with AK

#### 2-needle (with automatic thread trimmer)

PLC2760S□A70BB

Needle gauge	Code	Presser foot	Code	Pneumatic auto-lifter	Code
6mm	B	With center guide	A	AK (Pedal switch type)	B
8mm	C				
10mm	D				
12mm	E				

### Control box

SC922B□

Power supply	Code
Single-phase 100~120V	S
3-phase 200~240V	D
Single-phase 200~240V (for general export)	K
Single-phase 200~240V (for ce)	N
Single-phase 200~240V (for china)	U

### Panel

CP18C

CP180C

●To order, please contact your nearest JUKI distributor.

## OPTION

### Suspended ruler H152

Description	Parts No.
Suspended ruler (asm.) H152	MAH-152010A0
Suspended ruler adapter plate	40112214
Screw	SM6051402TP x2
Screw	SM6061402TP x2

### Knee switch (asm.)

Description	Parts No.
Knee switch (asm.)	40025036
Screw	SK3514000SC

### Combination of the machine head specifications and optional devices at the time of delivery


- ① AK device kit : [40138572]  
 ② BT/DLdevice kit (with hand switch) : [40138898]  
 ③ AK/BT/DLdevice kit (with hand switch) : [40138573]

	Machinen-head mounted device (at the time of delivery)				gauge size (mm)	Optional (possible to retrofit) devices
	AK device	BT device	DL device	Hand switch		
PLC-2710	—	—	—	—	—	① or ③
	○	—	—	—	—	②
	○	○	○	○	—	—
PLC-2710-7	○	○	○	○	—	—
PLC-2760	—	—	—	—	6/8/10/12	① or ②
	○	—	—	—	6/8/10/12	②
	○	○	○	○	6/8/10/12	—
PLC-2760-7	○	○	○	○	6/8/10/12	—

## SPECIFICATIONS

Model name	PLC-2710	PLC-2710-7	PLC-2760	PLC-2760-7
Type	1-needle		2-needle	
	—	With automatic thread trimmer	—	With automatic thread trimmer
Max. Sewing speed	2,500sti/min			
Needle	135×17 Nm100~180 Standard Nm140			
Thread	TEX 50~167			
Max. stitch length	12mm (forward / backward)			
Stitch adjusting method	1 pitch dial	2 pitch dial	1 pitch dial	2 pitch dial
Thread take-up	Link type			
Automatic reverse feed function	Lever type	Pneumatic type	Lever type	Pneumatic type
Needle bar stroke	40mm			
Hook	Vertical-axis 2.0-fold capacity hook (latch type)			
Lift of the presser foot	By hand: 10mm, Auto: 20mm			
Alternating vertical movement	1~9mm			
Alternating vertical movement adjusting method	Dial			
DL device	Option	Provided as standard	Option	Provided as standard
Safety mechanism	Provided as standard			
Bobbin thread winder	Built in the machine arm			
Bottom-feedmicro-adjustment mechanism	Provided as standard			
Lubrication	Automatic (Tank system)			
Distance from needle to machine arm	347mm			
Post height	170mm			
Knee-lifter	Provided as standard	—	Provided as standard	—
Auto-lifter	Option	Provided as standard	Option	Provided as standard
Weight of the machine head	76kg	81kg	79kg	84kg
Power requirement/Power consumption	Single-phase 100~120V / 200~240V, 3-phase 200~240V / 193VA (with automatic thread trimmer)			
Air consumption	—	0.1dm <sup>3</sup> /min (ANR)	—	0.1dm <sup>3</sup> /min (ANR)

\*"sti/min" stands for "Stitches per Minute."

<b>JUKI ECO PRODUCTS</b>	The PLC-2700 Series is an eco-friendly product which complies with JUKI ECO PRODUCTS standards for protecting the environment.
 <p><b>JUKI ECO PRODUCTS</b></p>	<ul style="list-style-type: none"> <li>● This sewing machine reduces power consumption by 28% as compared with the conventional models.</li> <li>● As compared with the conventional model, PLC-2700 Series reduces noise by 6.0 dB.</li> <li>● The sewing machine complies with the "Juki Group Green Procurement Guidelines" on the use of hazardous substances, which is stricter than other restrictions, such as those of the RoHS Directive.</li> </ul> <p>For details of JUKI ECO PRODUCTS, refer to: <a href="http://www.juki.co.jp/eco_e/index.html">http://www.juki.co.jp/eco_e/index.html</a></p> <p><small>*The RoHS Directive is an EU Directive limiting the use of 6 hazardous substances (lead, hexavalent chromium, mercury, cadmium, PBB and PBDE) in electrical and electronic equipment. The Juki Green Procurement Guideline is the voluntarily established criteria to eliminate not only the aforementioned six substances, but also other ones which also adversely affect the environment.</small></p>

※ Above-mentioned JUKI ECO PRODUCTS is data of PLC-2760S-7 (with automatic thread timer).



**JUKI CORPORATION HEAD OFFICE**  
 Juki Corporation operates an environmental management system to promote and conduct the following as the company engages in the research, development, design, sales, distribution, and maintenance of industrial sewing machines, household sewing machines, industrial robots, etc., and in the provision of sales and maintenance services for data entry systems:

- (1) The development of products and engineering processes that are safe to the environment
- (2) Green procurement and green purchasing
- (3) Energy conservation (reduction in carbon-dioxide emissions)
- (4) Resource saving (reduction of papers purchased, etc.)
- (5) Reduction and recycling of waste
- (6) Improvement of logistics efficiency (modal shift and improvement of packaging, packing, etc.)

**JUKI**® 2-11-1, TSURUMAKI, TAMA-SHI,  
 TOKYO 206-8551, JAPAN  
 PHONE : (81) 42-357-2254  
 FAX : (81) 42-357-2274  
 http://www.juki.com

\* Specifications and appearance are subject to change without prior notice for improvement.  
 \* Read the instruction manual before putting the machine into service to ensure safety.