

mitsubishi

Industrial Sewing Machine Technical Manual

Attachment for Electronic Pattern Sewing Machine

Extension Kit

MP-B10-EX

FOR YOUR SAFETY!

If you operate this attachment first time, please make sure to read the following instructions for your safety and proper operation.

In this technical manual, the notice **CAUTION** is mentioned at some paragraph to attract your attention for the safety. Please keep it in mind whenever you work with the sewing machine.



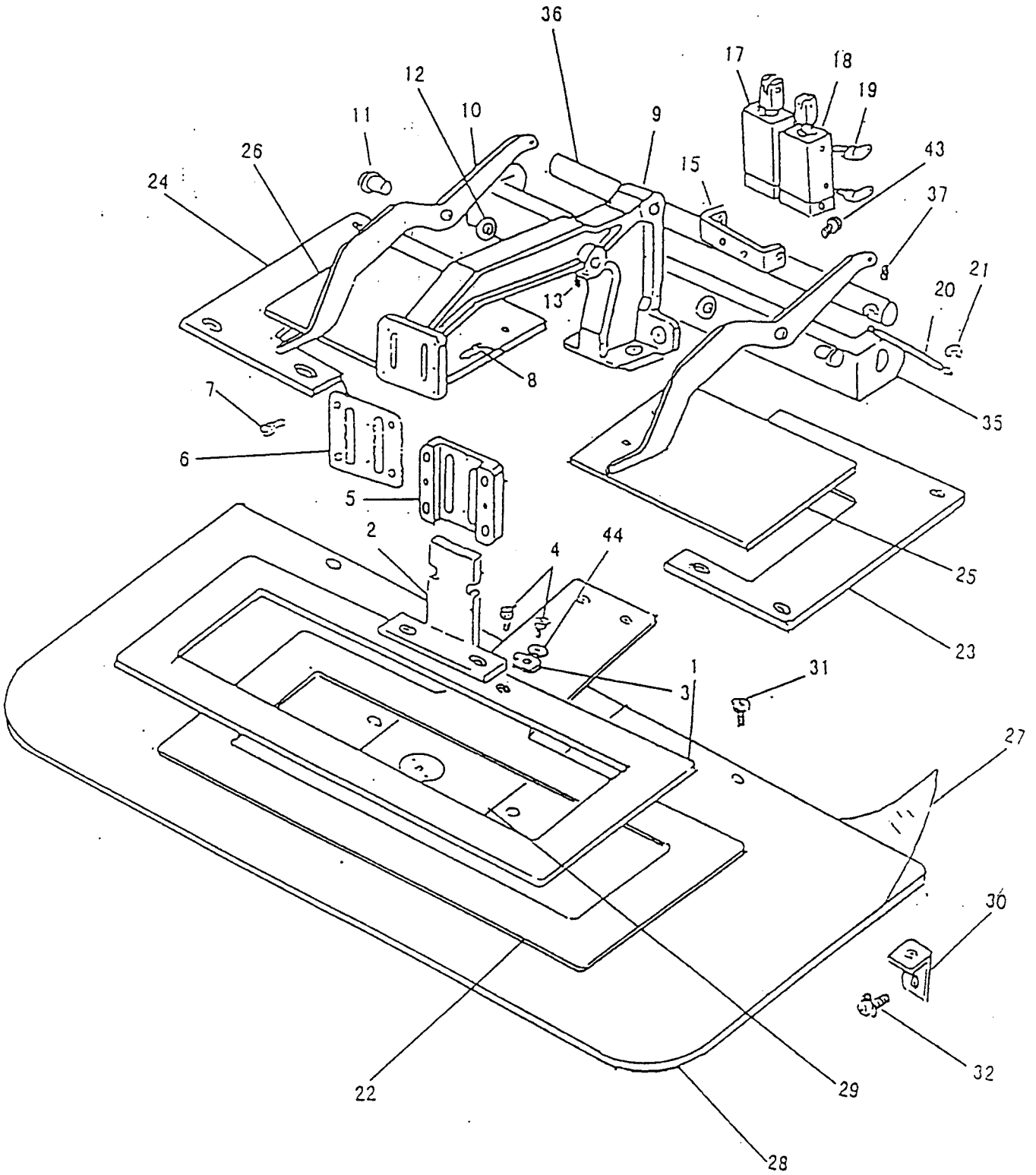
CAUTION is used as the notice to warn a possible danger to cause a wound.

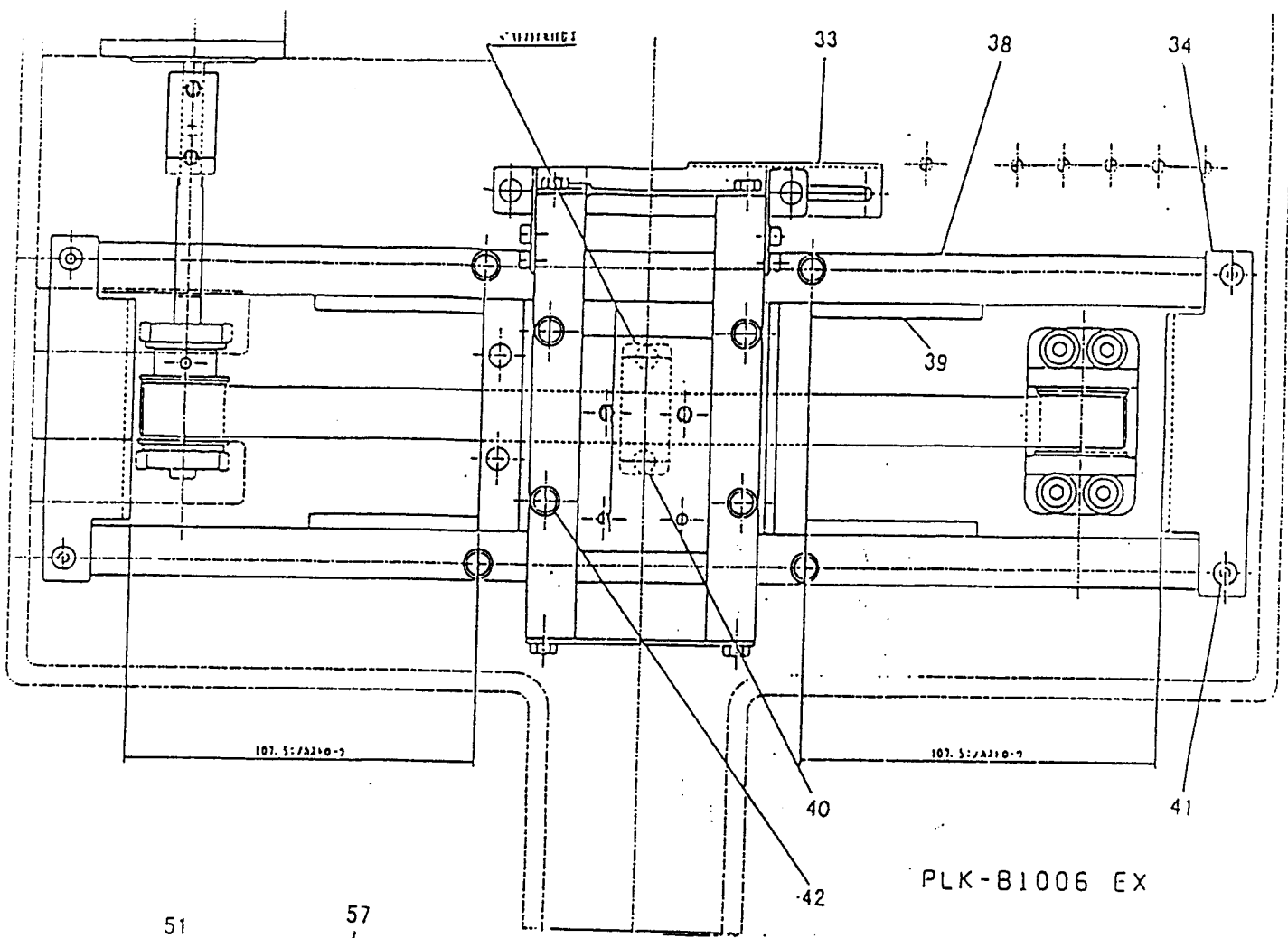
- ★ This technical manual explains the instructions how to operate and maintain the sewing machine.
- ★ All information in this technical manual are subject to change without notice.
- ★ MITSUBISHI ELECTRIC CORPORATION has all the copy rights on this technical manual. Reprinting the parts or all of this technical manual is not allowed without permission.

Explanations for the warning signs

No	Warning sign	Meanings of warning sign
1		Caution for sewing machine operation : Warning to operate the sewing machine without safety guards and to prohibit doing any operation except sewing while the power is turned ON.
2		Caution for wound on the fingers: Warning to possible danger to cause a wound on the fingers under the specified operation.
3		Caution for the fingers to be caught in the machine : Warning to a possible danger to be caught the fingers in the machine under the specified operation.

Fig. no.	Parts no.	Description	Ref. no.	Amt. req.
1	MB10X0105	Work holder plate	A133C781H01	1
2	MS14A5601	Clamp foot	A143D066H01	1
3	MB60A0196	Work holder positioner	A145D963H01	2
4	M94008017	Bolt M4 * 6	S903N299P33	3
5	MB60A0307	Work holder guide	A145D904H01	1
6	MB60A0742	Plate	A145D905H01	1
7	M94006017	Bolt M4 * 16	S903N299P38	4
8	M94007017	Bolt M4 * 12	S903N299P36	2
9	MA10A0308	Work holder arm	A121B294H01	1
10	MY08H0950	pressure lever	A133C251H01	2
11	M99006063	Pin	A143D102H01	2
12	M90829050	Washer	A190D830P01	2
13	M91055020	Screw M4 * 4	S901N319P09	2
15	MB10A0601	Base plate	A145D684H02	1
17	MB10A0434	Air cylinder	A190D876P01	1
18	MB10A1434	Air cylinder	A190D876P02	1
19	MA20A9571	Air fitting	A190N197P02	4
20	M91616060	Pin 6 * 52	A145D687P01	1
21	M90504065	E shape snap ring	S922N210P40	2
22	MB10X0272	Feed plate	A121B666H01	1
23	MB10X0339	X-Y cover(R)	A121B667H01	1
24	MB10X1339	X-Y cover(L)	A121B668H01	1
25	MB10X2339	X cover(R)	A133C783H01	1
26	MB10X3339	X cover(L)	A133C784H01	1
27	MB10X0797	Film sheet	A133C785H01	1
28	MB10X0470	Slide plate	A133C782H01	1
29	MB10X1470	Slide plate (center)	A131C582G02	1
30	MB62A4601	Bracket	A143D108H02	4
31	M90990002	Screw M4 * 8	A146D055H01	4
32	M91056004	Screw M4 * 10	A190D393P35	4
33	MB10X0407	Detector plate (X)	A146D447H02	1
34	MB10X0477	stopper(X)	A146D446H01	2
35	MB10X0455	Bracket	A133C779H01	1
36	MB10X0454	Shaft	A133C780H01	1
37	M91053020	Screw M4 * 6	S901N319P11	2
38	MB10X0957	Fixed race (X)	A133C778H01	2
39	MS12A0972	Slide bearing(X)	A190D304P03	2
40	M94005022	Bolt M4 * 10	A190D450P**	2
41	M91017022	Bolt M4 * 16	A190D450P14	4
42	M94011021	Bolt M4 * 8	S903N219P34	2
43	M91054004	Screw M4 * 8	A190D393P34	2
44	M90450050	Washer 4	S913N040P04	2
51	MB61A5601	Solenoid valve mounting plate	A133C599H01	1
52	MB10A0599	Solenoid valve unit (assy)	A190D718P02	1
53	MA20A8571	Air fitting	A190N205P08	3
54	MB61A0963	Filter regulator	A190D726P01	1
55	M90511050	Washer 5	A190D389P05	2
56	M95003017	Bolt M5 * 8	A190D418P52	2
57	M91066004	Screw M4 * 25	A190D393P42	4
58	MB80A0567	Air tube ϕ 8 · 200mm	A133C648G01	1
59	M97310099	Cord (1)	A145D948G02	1
60	M90409041	Wood screw 4. 5 * 20	A190D403P03	2
61	MB10A0567	Air tube (1)	A133C891G01	2
62	MB10A1567	Air tube (2)	A133C891G02	2
63	M91035089	Silencer	A190N171P01	2
70	MSC6A0567	Air tube ϕ 8 · 10M	A190N268P01	1
71	MG51A0201	Cord tie	P945A050P00	4
72	MS14A1620	Nylon clip	S945N753P04	1
73	M91054004	Screw M4 * 8	A190D393P34	1





PLK-B1006 EX

