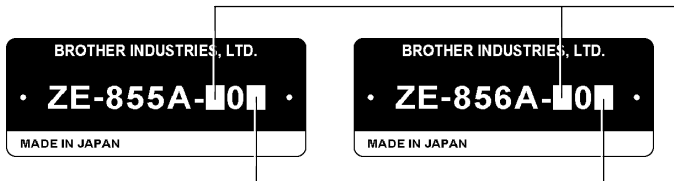


# ZE-855A

# ZE-856A

Electronic single needle zigzag lock stitcher  
Electronic single needle zigzag lock stitcher  
with thread trimmer



	855A		856A		
	0	A	3	4	9
Thread trimmer	-	-	Solenoid		
Upper thread feeding device	-	-	Solenoid		
Back tack/condense device *1	-	Solenoid			
Thread wiper	-	-	-	Solenoid	
Automatic presser foot lifter	-	-	-	-	Solenoid

	855A		856A	
	General (foundation)	General (long stitch)*2	General (foundation)	General (long stitch)*2
	-□01	-□03	-□01	-□03
Use	For light-weight materials-medium-weight materials			
Maximum stitch length	2.5 mm	5 mm	2.5 mm	5 mm
Max. sewing speed	5,000 rpm*3			
Sewing pattern	14 patterns of 8 types built-in (Up to 99 different types of custom-made patterns can be added *4)			
Max. zigzag width	10 mm(Factory default 8 mm)			
Thread take-up lever	Rotary thread take-up			
Needle bar stroke	33.3 mm			
Feed dog height	1 mm			
Presser foot height	Presser bar lifter	6 mm		
	Knee lifter	10 mm		
	Automatic	7 mm		
Presser foot pressure	20-60N *5	20-60N	20-60N *5	20-60N
Needle	Schmets SY 1965 Nm 70/10			
Motor	Three-phase 400 W induction motor			
Power supply	Single-phase		110V, 220V, 230V	
	3-phase		220V, 240V, 380V, 400V	
	Maximum electric power consumption:600 VA			

\*1.....Used for sewing condensed stitches and back tack stitches.

\*2.....If fine adjustments to the stitch length are needed, use" General(foundation)".

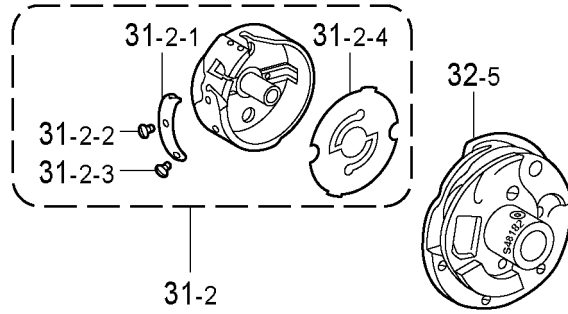
\*3.....At the time of shipment from the factory, the maximum sewing speed is set to 4,500 rpm. If you would like to sew at speeds higher than this, change the setting of the DIP switch inside the control box. Furthermore, the maximum sewing speed may be limited by the type of sewing pattern and the zigzag width.

\*4.....The maximum number of custom-made patterns that can be stored is 99 patterns with a total of 10,000 stitches, at 500 stitches or less per pattern.

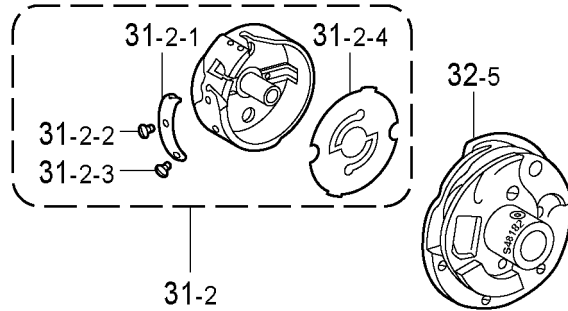
\*5.....If you would like to reduce the pressure of the presser foot (such as when sewing light-weight materials), replace the compression spring with the accessory spring.

# Rotary hook mechanism

< For "855A" >

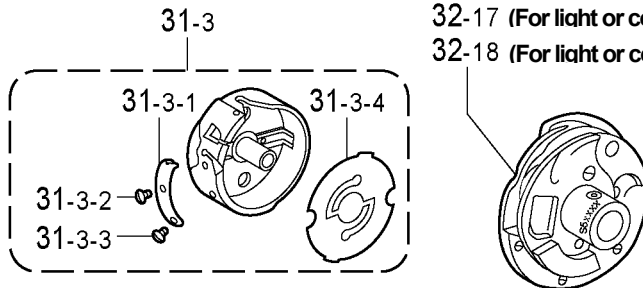


< For "855A" >



## "OPTION PARTS"

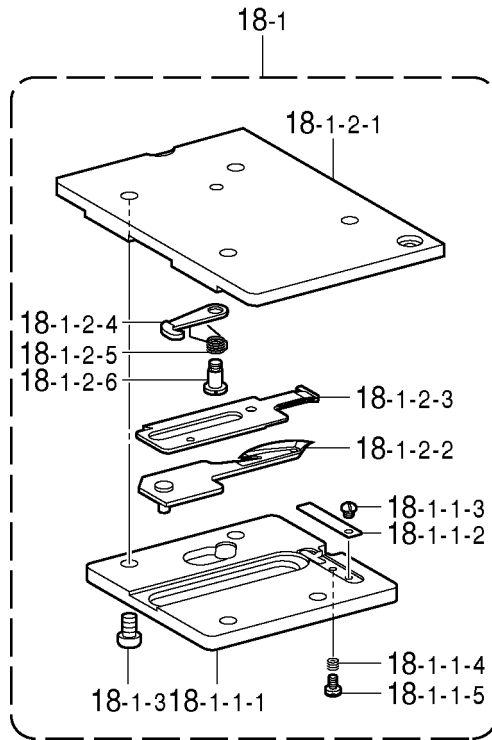
- 32-9 (HP : 855A)
- 32-10 (HP : 856A)
- 32-13 (For medium materials:855A)
- 32-14 (For medium materials:856A)
- 32-17 (For light or coarse materials:855A)
- 32-18 (For light or coarse materials:856A)



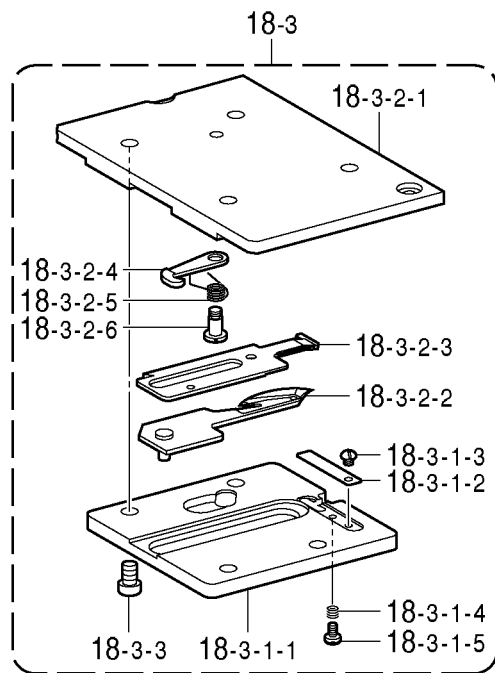
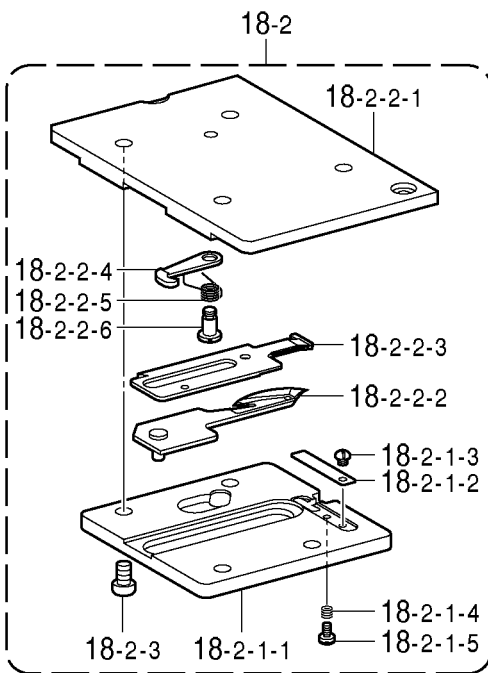
## Rotary hook mechanism

Ref. No.	Part name	Part code	Q'ty
	<b>&lt;For "855A"&gt;</b>		
31-1	Bobbin case assy	S48180101	1
31-1-1	Spring	S09477001	1
31-1-2	Screw	180721001	1
31-1-3	Adjusting screw	183507001	1
	<b>&lt;For "856A"&gt;</b>		
31-2	Bobbin case assy	S48202101	1
31-2-1	Spring	S09477001	1
31-2-2	Screw	180721001	1
31-2-3	Adjusting screw	183507001	1
31-2-4	Spring, anti-spin	S48203001	1
	<b>&lt;Option parts&gt;</b>		
	<b>&lt;For "Option rotary hook"&gt;</b>		
31-3	Bobbin case assy	S48378101	1
31-3-1	Spring	S09477001	1
31-3-2	Screw	180721001	1
31-3-3	Adjusting screw	183507001	1
31-3-4	Spring, anti-spin	S48203001	1
	<b>&lt;For "855A"&gt;</b>		
32-4	Rotary hook assy, w/box ;st	S48181901	1
	<b>&lt;For "856A"&gt;</b>		
32-5	Rotary hook assy, w/box ;tr	S48182901	1
	<b>&lt;Option parts&gt;</b>		
	<b>&lt;Carbide tip type&gt;</b>		
	<b>&lt;For "855A"&gt;</b>		
32-9	Rotary hook assy, HP w/box	S51821901	1
	<b>&lt;For "856A"&gt;</b>		
32-10	Rotary hook assy, HP w/box	S51822901	1
	<b>&lt;For medium materials&gt;</b>		
	<b>&lt;For "855A"&gt;</b>		
32-13	Rotary hook assy, w/box ;st	S55026901	1
	<b>&lt;For "856A"&gt;</b>		
32-14	Rotary hook assy, w/box ;tr	S55027901	1
	<b>&lt;For light or coarse materials&gt;</b>		
	<b>&lt;For "855A"&gt;</b>		
32-17	Rotary hook assy, w/box	S58671901	1
	<b>&lt;For "856A"&gt;</b>		
32-18	Rotary hook assy, w/box	S57929901	1

# Thread trimmer mechanism (856A)



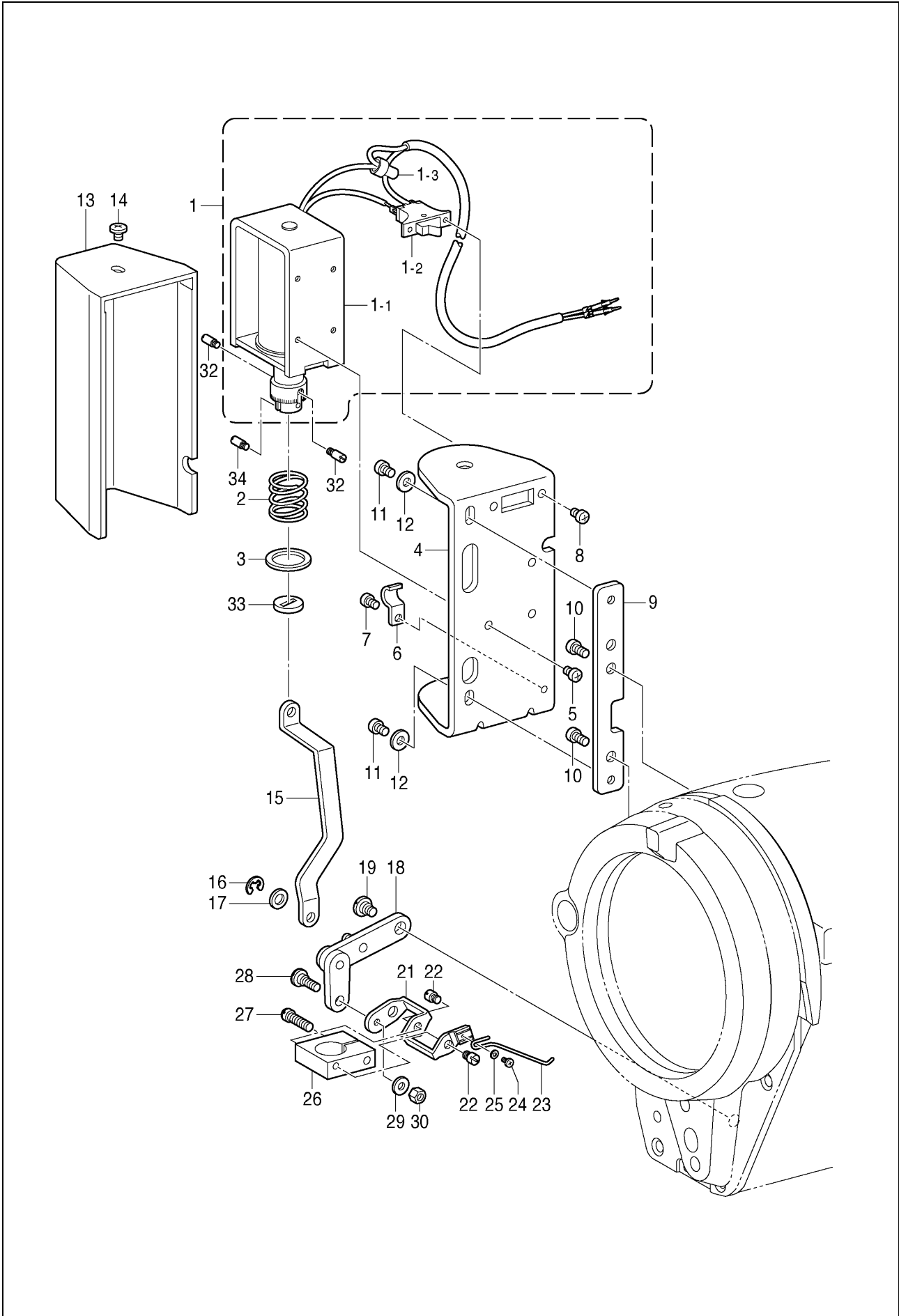
## "OPTION PARTS"



## Thread trimmer mechanism (856A)

Ref. No.	Part name	Part code	Q'ty
18-1	Knife unit	S48236201	1
18-1-1-1	Knife holder	S48238001	1
18-1-1-2	Spring, plate	S48239001	1
18-1-1-3	Screw, SM2.38X2.4	100105005	1
18-1-1-4	Adjusting spring	S48240001	1
18-1-1-5	Screw, SM2.38X5	S48247001	1
18-1-2-1	Knife bracket	S48242001	1
18-1-2-2	Movable knife, T	S55863001	1
18-1-2-3	Fixed knife	S55864001	1
18-1-2-4	Clutch, fixed knife	S55865001	1
18-1-2-5	Spring	S48246001	1
18-1-2-6	Shoulder screw, SM3.18	155103001	1
18-1-3	Screw, pan SM3.57-40X7	062670712	4
	<b>&lt;Option parts&gt;</b>		
18-2	Knife unit, T	S58941001	1
18-2-1-1	Knife holder	S48238001	1
18-2-1-2	Spring, plate	S48239001	1
18-2-1-3	Screw, SM2.38X2.4	100105005	1
18-2-1-4	Adjusting spring	S48240001	1
18-2-1-5	Screw, SM2.38X5	S48247001	1
18-2-2-1	Knife bracket	S48242001	1
18-2-2-2	Movable knife, T <Marked in T>	S58943001	1
18-2-2-3	Fixed knife	S55864001	1
18-2-2-4	Clutch, fixed knife	S55865001	1
18-2-2-5	Spring	S48246001	1
18-2-2-6	Shoulder screw, SM3.18	155103001	1
18-2-3	Screw, pan SM3.57-40X7	062670712	4
	<b>&lt;For thick thread&gt;</b>		
18-3	Knife unit, H	S58941001	1
18-3-1-1	Knife holder	S48238001	1
18-3-1-2	Spring, plate	S48239001	1
18-3-1-3	Screw, SM2.38X2.4	100105005	1
18-3-1-4	Adjusting spring	S48240001	1
18-3-1-5	Screw, SM2.38X5	S48247001	1
18-3-2-1	Knife bracket	S48242001	1
18-3-2-2	Movable knife, H <Marked in H>	S58943001	1
18-3-2-3	Fixed knife	S55864001	1
18-3-2-4	Clutch, fixed knife	S55865001	1
18-3-2-5	Spring	S48246001	1
18-3-2-6	Shoulder screw, SM3.18	155103001	1
18-3-3-3	Screw, pan SM3.57-40X7	062670712	4

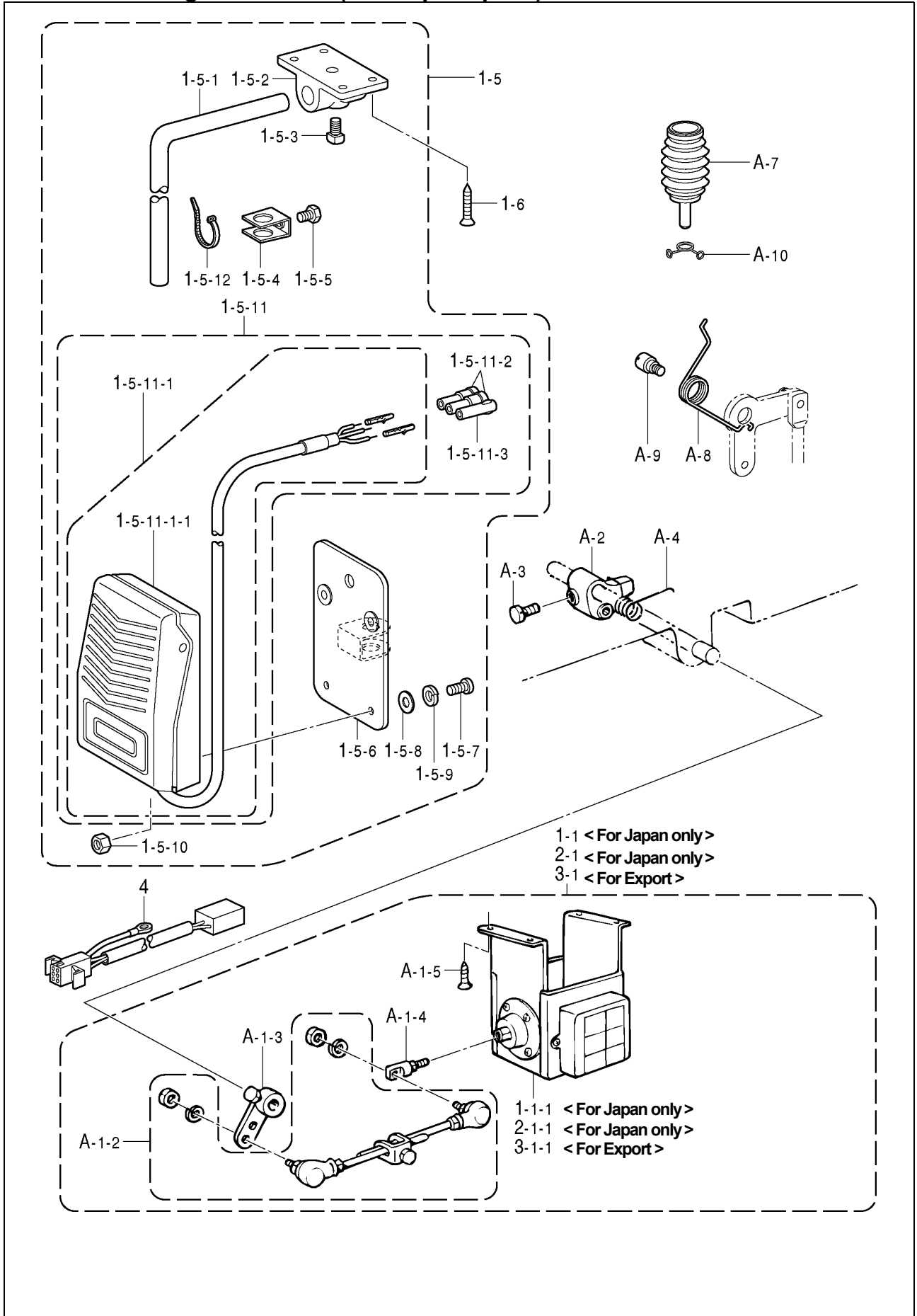
# Thread wiper mechanism (856A-40□, -90□)



## Thread wiper mechanism (856A-40□, -90□)

Ref. No.	Part name	Part code	Q'ty
	<b>&lt;Option set&gt;</b>		
	<b>Thread wiper set</b>	S80021001	1
1	Thread wiper solenoid assy	S48254001	1
1-1	Thread wiper solenoid	S41203051	1
1-2	Thread wiper switch	S02664051	1
1-3	Terminal connector	S02605050	1
2	Spring, ;T-wiper	S41206001	1
3	Washer, plain	S41205001	1
4	Setting plate, solenoid	S25449201	1
5	Screw, pan SM3X6	062300616	3
6	Cord holder	140647101	1
7	Screw, pan SM3X6	062300616	1
8	Screw, pan SM3X6	062300616	2
9	Setting plate, solenoid	S33609101	1
10	Screw, pan SM4.37-40X10	062681012	2
11	Screw, pan 4X6	062400616	2
12	Washer, plain 4	026040236	2
13	Solenoid cover	S33610101	1
14	Screw, bind M4X5	060400516	1
15	Thread wiper rod	S48255001	1
16	Retaining ring, E3	048030342	1
17	Washer	110735002	1
18	Thread wiper connect, rod assy	S48256001	1
19	Shoulder screw, SM4.37	159908001	1
21	Thread wiper crank	S48259001	1
22	Guide pin	115156001	2
23	Thread wiper	S48260001	1
24	Screw, bind SM3.18-40X4	060660416	1
25	Washer, plain M3	025030232	1
26	Wiper bracket	S48261001	1
27	Screw, SM4.76	110076002	1
28	Shoulder screw, M3.5	S25303001	1
29	Washer, plain	105161003	1
30	Nut, 1 M3.5	021350106	1
32	Plunger pin	S25456001	2
33	Spacer rubber	S41207000	1
34	Plunger pin	S25456001	1

# Presser foot lifting solenoid set (856A Option parts)



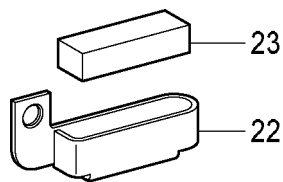


## Presser foot lifting solenoid set (856A Option parts)

Ref. No.	Part name	Part code	Q'ty
	<b>&lt;For Japan only&gt;</b>		
1	-----	183970001	1
1-1	-----	183961151	1
1-1-1	-----	S42963051	1
A-1-2	-----	S42198051	1
A-1-3	-----	S42199051	1
A-1-4	-----	S41955051	1
A-1-5	-----	S42200051	4
A-2	-----	S02595101	1
A-3	-----	146367001	1
A-4	-----	S02596001	1
1-5	-----	S07045009	1
1-5-1	-----	142026003	1
1-5-2	-----	142027001	1
1-5-3	-----	100463001	1
1-5-4	-----	114967001	1
1-5-5	-----	110087001	1
1-5-6	-----	S07027001	1
1-5-7	-----	062401006	4
1-5-8	-----	025040233	4
1-5-9	-----	028040243	4
1-5-10	-----	021400164	4
1-5-11	-----	S07030009	1
1-5-11-1	-----	S07031009	1
1-5-11-1-1	-----	S07032009	1
1-5-11-2	-----	146046000	2
1-5-11-3	-----	146194000	1
1-5-12	-----	149799000	1
1-6	-----	034422503	4
A-7	-----	S16250001	1
A-8	-----	154347001	1
A-9	-----	S31010001	1
A-10	-----	S07015001	1
	<b>&lt;For Japan only&gt;</b>		
2	-----	183969001	1
2-1	-----	183961151	1
2-1-1	P-foot lifter solenoid assy	S42963051	1
	<b>&lt;For Export&gt;</b>		
3	P-foot lifter solenoid set, 1D	183967001	1
3-1	P-foot lifter solenoid set, 4	183962151	1
3-1-1	P-foot lifter solenoid set assy	S42197051	1
A-1-2	Presser foot lifter rod assy	S42198051	1
A-1-3	P-foot lifter lever assy	S42199051	1
A-1-4	Rod joint assy	S41955051	1
A-1-5	Wood screw	S42200051	4
A-2	Presser foot lifter link	S02595101	1
A-3	Bolt, SM5.95	146367001	1
A-4	Spring, twist	S02596001	1
A-7	Knee lifter complying bar assy	S16250001	1
A-8	Spring	154347001	1
A-9	Shoulder screw, SM6.35	S31010001	1
A-10	Clip	S07015001	1
	<b>&lt;Common parts&gt;</b>		
4	Relay harness	S47686000	1

## Machine body

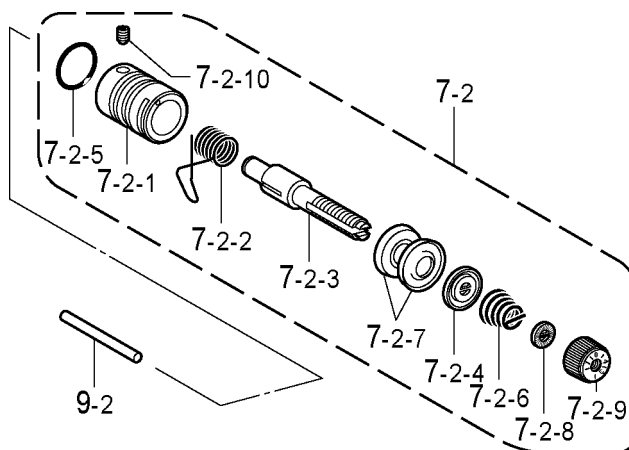
### "OPTION PARTS"



Ref. No.	Part name	Part code	Q'ty
	<OPTION PARTS>		
22	Thread guide, F	S51814001	1
23	Felt	114941001	1

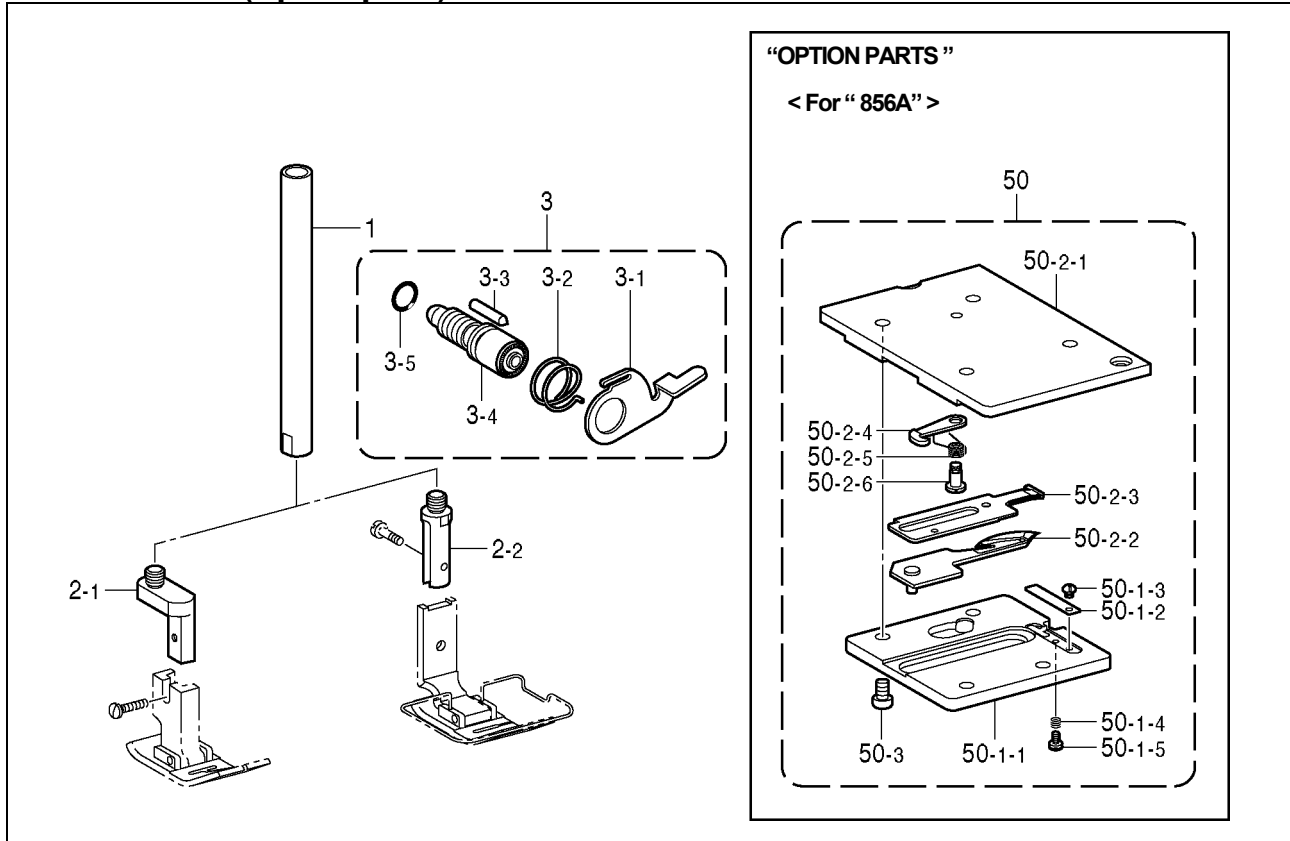
## Threading mechanism

### "OPTION PARTS"



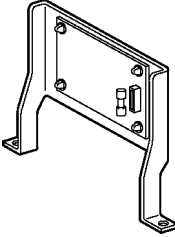
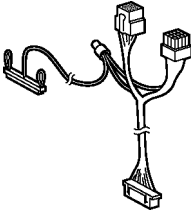
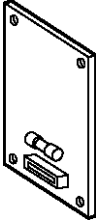
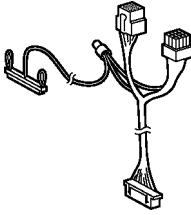
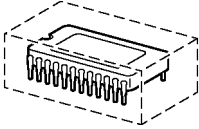

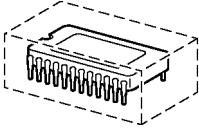
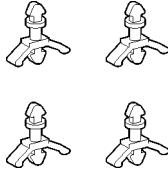
Ref. No.	Part name	Part code	Q'ty
	<OPTION PARTS>		
	<For rock stitchers>		
7-2	Thread tension assy	S51808001	1
7-2-1	Thread tension bracket	S48084001	1
7-2-2	Thread take-up spring	S02620001	1
7-2-3	Tension stud	116922001	1
7-2-4	Disk presser, tension	159805001	1
7-2-5	O ring, S14	081014870	1
7-2-6	Spring, tension : M	104525001	1
7-2-7	Disk, tension	145446001	2
7-2-8	Washer	S12441001	1
7-2-9	Tension nut	S31032001	1
7-2-10	Set screw, SM 3.57	100402004	1
9-2	Tension release pin (26.2 mm)	S51809000	1

## Attachment set (Option parts)



Ref. No.	Part name	Part code	Q'ty
1	Presser bar, U	S50114001	1
2-1	Presser bar tip, A	S50115001	1
2-2	Presser bar tip, B	S50116001	1
3	Dial lock lever set	S80017101	1
3-1	Dial lock lever	S39829101	1
3-2	Spring	S39830101	1
3-3	Positioning pin	S50098001	1
3-4	Adjusting screw	S50099001	1
3-5	O ring	108549001	1
	<b>&lt;Option parts for 856A&gt;</b>		
50	Knife unit, T	S51419201	1
50-1-1	Knife holder	S48238001	1
50-1-2	Spring, lower thread presser	S48239001	1
50-1-3	Screw, SM2.38X2.4	100105005	1
50-1-4	Adjusting spring	S48240001	1
50-1-5	Screw, SM2.38X5	S48247001	1
50-2-1	Knife bracket	S48242001	1
50-2-2	Moveable knife, T <Marked in "T">	S55866001	1
50-2-3	Fixed knife	S55864001	1
50-2-4	Clutch, fixed knife	S55865001	1
50-2-5	Spring, clutch	S48246001	1
50-2-6	Shoulder screw, SM3.18	155103001	1
50-3	Screw, pan SM3.57-40X7	062670712	4

## T stitch set < For -□01 specification >

Type A (S58025-001)		Type B (S58024-001)	
			
Setting plate assy <S58026-001>	Harness, T <S58021-000>	PCB assy, T <S58018-001>	Harness, T <S58021-000>
			
P-rom, w/box <S58027-001>	Screw, pan (s/p washer) M4x12 <0A5401205>	P-rom, w/box <S58027-001>	Support, 6NS <S00554-000> (x4)

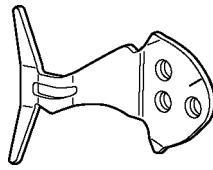
**Type A** (S58025-001) → For areas other than Europe

**Type B** (S58024-001) → For Europe

**NOTE;**

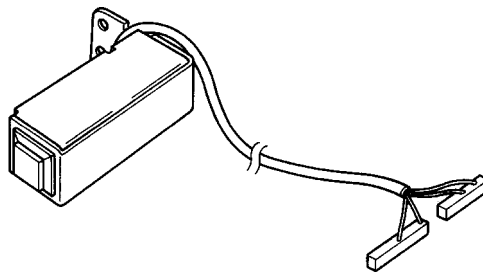
The T-stitch set is for -□01 specifications. If it is used with -□03 specifications, malfunctions may result.

**Option parts**  
**Thread take-up lever**



Part name	Part code	Q'ty
<b>&lt; OPTION PARTS ; Plain zigzag (narrow) &gt;</b>		
Rotary thread take-up lever	S54996001	1

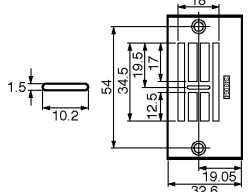
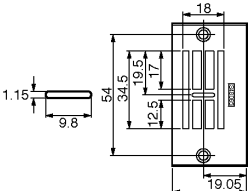
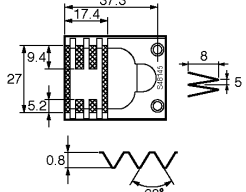
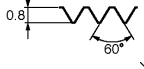
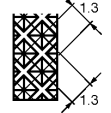
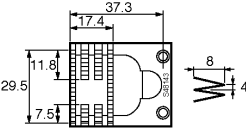

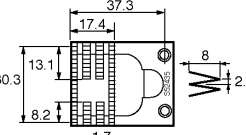
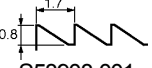
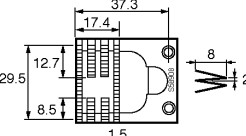
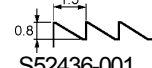
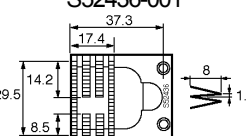
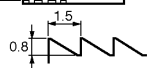
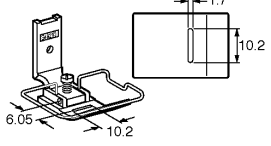
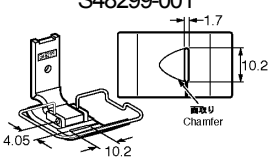
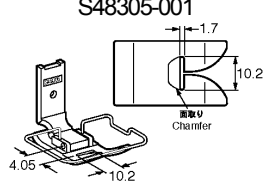
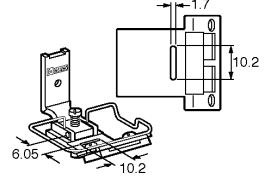
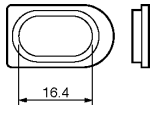
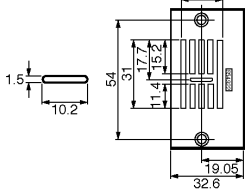
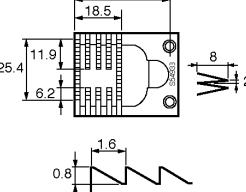
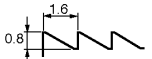
**Option parts**  
**Reflection pattern switch**



Part name	Part code	Q'ty
Reflection pattern switch	S80013001	1

# Gauge parts list

The \* symbol is for standard parts.

Zigzag width	Needle plate	Feed dog	Presser foot assy	Stopper
8 mm	<p>(*) S48064-001</p>  <p>(*) S48065-001</p>  <p>(*)According to destination</p>	<p>S48145-101</p>    <p>S48143-101</p>   <p>* S52435-001</p>   <p>S58908-001</p>   <p>S52436-001</p>  	<p>* S48293-001</p>  <p>S48299-001</p>  <p>S48305-001</p>  <p>S58950-001</p> 	<p>* S48073-000</p>  <p>(Snow-white color)</p>
	<p>S54922-001</p> 	<p>S54933-001</p>  		

# Gauge parts list

Zigzag width	Needle plate	Feed dog	Presser foot assy	Stopper			
5 mm	<b>S48066-001</b> 	<b>S06171-101</b> 	<b>S48308-001</b> 	<b>S48074-000</b>  ( 黒色 / Black color )			
	<b>S48067-001</b> 						
	<b>S06166-001</b> 	<b>S06170-101</b> 					
	<b>S53410-001</b> 				<b>S52068-001</b> 		
					<b>S58937-001</b> 		

# Gauge parts list

Zigzag width	Needle plate	Feed dog	Presser foot assy	Stopper
10 mm	<b>S50684-001</b> 	<b>S50686-001</b> 	<b>S51227-001</b> 	<b>S52046-000</b>  (Snow-white color)
	<b>S50685-001</b> 		<b>S51231-001</b> 	
	<b>S53992-001</b> 	<b>S54933-101</b> 		
3 mm	<b>S53929-001</b> 	<b>S54945-001</b> 	<b>S54956-001</b> 	<b>S48075-000</b>  (Blue color)
	<b>S54930-001</b> 	<b>S54946-001</b> 	<b>S54957-001</b> 	